

Genuine Spare Parts

www.stiga.com

TURBO PRO 55 4S Model Year 2011

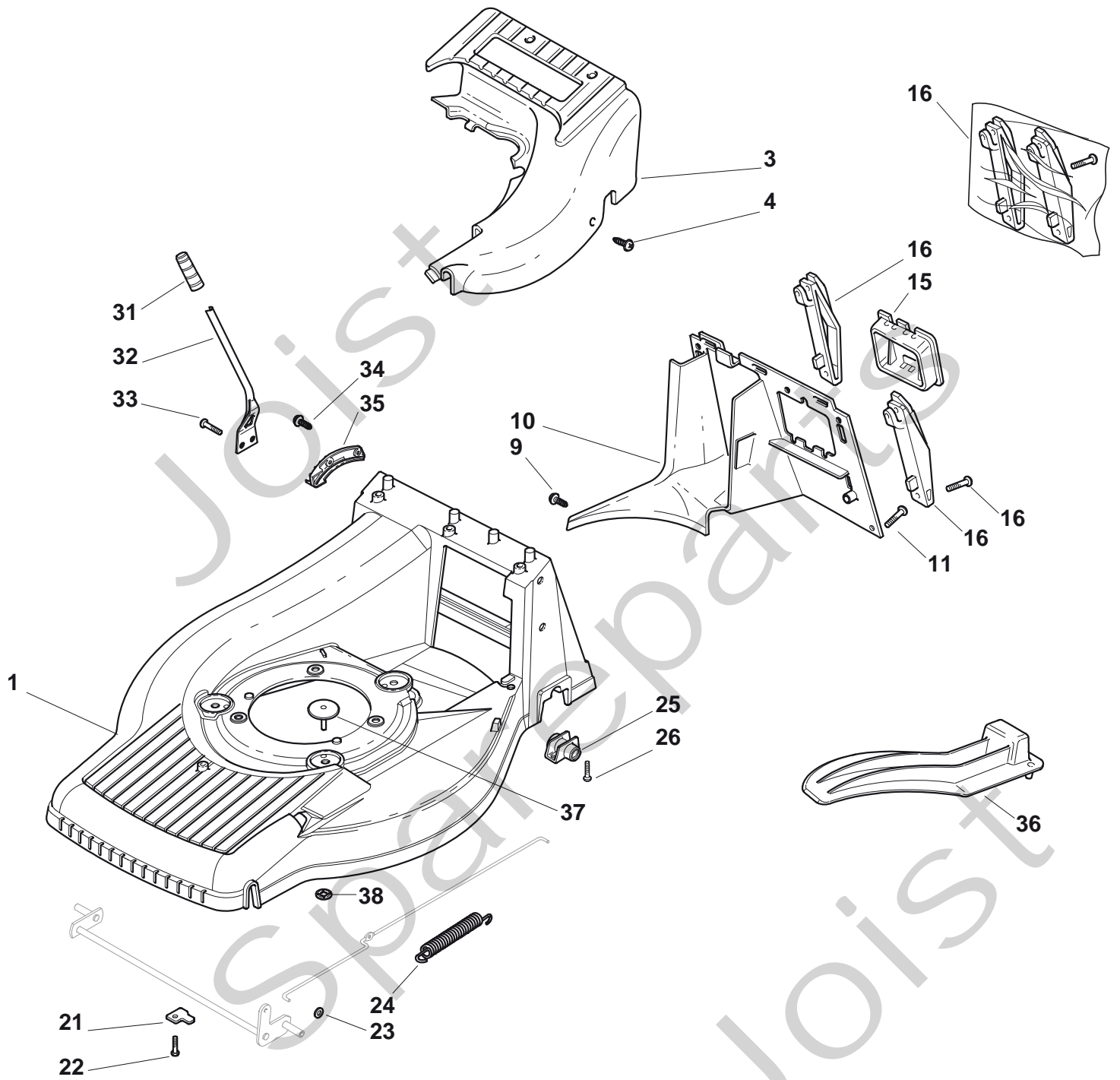
- Use GLOBAL GARDEN PRODUCT Genuine Spare Parts specified in the parts list for repair and/or replacement.
- The contents described in the parts list may change due to improvement.
- The drawings of the spare parts are only indicative and might not represent the part in question exactly.
- The indications "right" - "left" - "front" - "rear" refer to the position of the operator when using the machine.
- When placing orders of parts for repair and/or replacement, make sure that the illustrated parts list is the one applying to the machine's year of manufacture, as shown on the identification plate attached to the machine.

COPYRIGHT by GLOBAL GARDEN PRODUCTS

All rights reserved. No part of this material may be reproduced or transmitted, in any form or by any means, electronic or mechanical, including photocopying, recording or by any information storage and retrieval system, without permission in writing from GLOBAL GARDEN PRODUCTS.

STIGA®

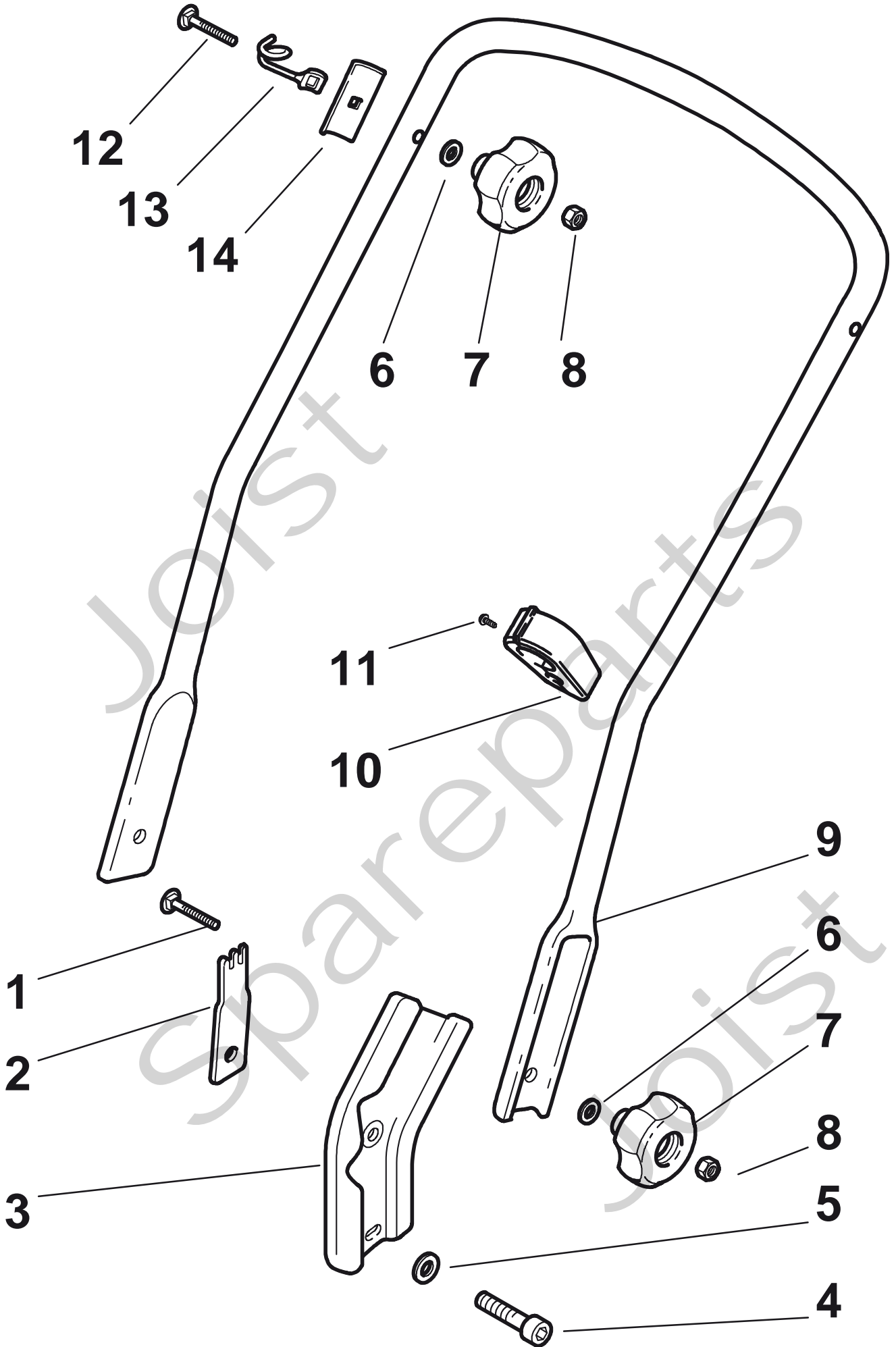
TURBO PRO 55 4S





TURBO PRO 55 4S

Pos. Fig.	Antal Quantity	Art No Part No	Benämning	Description	Anmärkning Notes
1	1	81002660/0	Chassi-gul	Deck Yellow	
3	1	22060154/0	Skydd gul	Protection, Yellow	
3	1	22060156/0	Skydd gul	Protection, Yellow	
4	3	12728300/0	Skruv	Screw	
9	1	12728300/0	Skruv	Screw	
10	1	22108277/0	Ledplåt-bakre	Rear Conveyor Assy	
11	3	12735664/0	Skruv	Screw	
15	1	22109531/0	Kåpa	Cover	
16	1	81008658/1	Skrivsats	Outfit, Supports	
21	2	22545160/0	Trombocyt	Plate	
22	2	12735664/0	Skruv	Screw	
23	2	12604898/0	Låsring	Crown Fastener	
24	1	22446181/0	Fjäder	Spring	
25	2	22785153/0	Stöd	Support, Gear Box	
26	4	12735664/0	Skruv	Screw	
31	1	22399808/0	Knopp	Knob	
32	1	22321515/0	Höjdinställningsspak	Lever, Height Adjustment	
33	2	12735661/0	Skruv	Screw	
34	2	12728300/0	Skruv	Screw	
35	1	22735563/0	Höjdinställn.sektor	Sector, Height Adjustment	
36	1	22140232/0	Deflektor	Deflector	

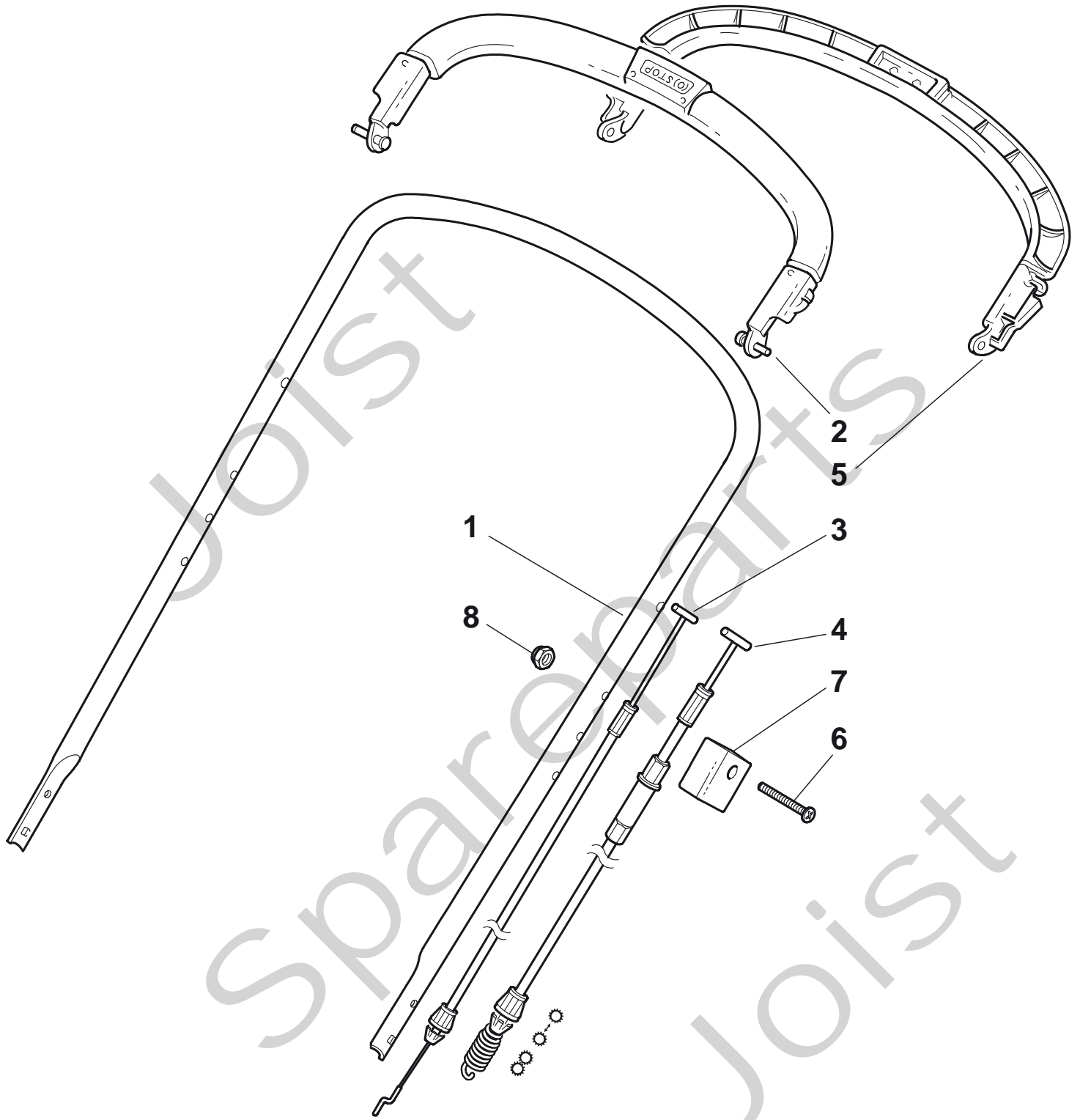




TURBO PRO 55 4S

Pos. Fig.	Antal Quantity	Art No Part No	Benämning	Description	Anmärkning Notes
1	2	12820655/0	Skruv	Screw	
2	1	22551635/0	Fästplatta	Plate For Handle	
3	2	22778405/0	Fäste	Support	
4	2	12760515/0	Skruv	Screw	
5	2	12521350/0	Bricka	Washer	
6	4	12521350/0	Bricka	Washer	
7	4	22399810/0	Knopp	Knob	
8	4	12361005/0	Mutter	Nut	
9	1	81006613/0	Styre-underdel	Handle, Lower Part	
10	1	22192001/0	Kabelhållare	Anchor Clamp	
11	1	12728691/0	Skruv	Screw	
12	2	12820655/0	Skruv	Screw	
13	1	22430311/0	Fjäder	Guide Spring	
14	2	22545137/0	Fästplatta	Plate For Handle Fastening	

TURBO PRO 55 4S

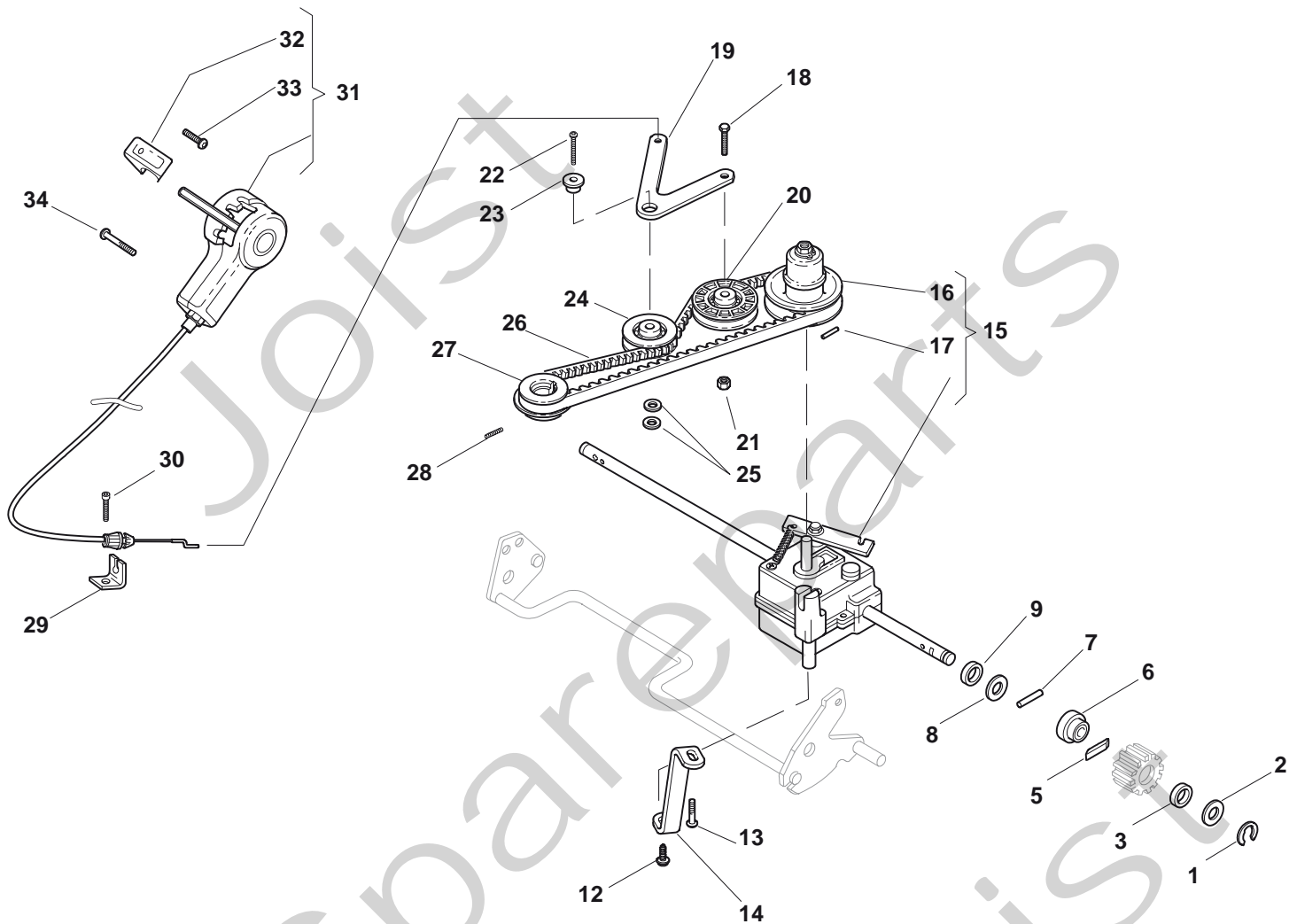




TURBO PRO 55 4S

Pos. Fig.	Antal Quantity	Art No Part No	Description	Benämning	Anmärkning Notes
1	1	81006618/1	Handle, Upper Part	Styre-överdel	504 - 554
2	1	81003298/1	Lever, Engine Brake	Reglagebygel	
3	1	181030061/0	Cable, Thread Eng. Brake	Motorbromswire	554 (Honda Gcv 135-160-190)
4	1	81000697/0	Cable, Rear Drive	Kopplingswire	
5	1	81003297/1	Driving Lever	Reglagebygel-drivning	
6	1	12727783/0	Screw	Skruv	
7	1	22551640/0	Plate	Wirefäste	
8	1	12154510/0	Nut	Mutter	

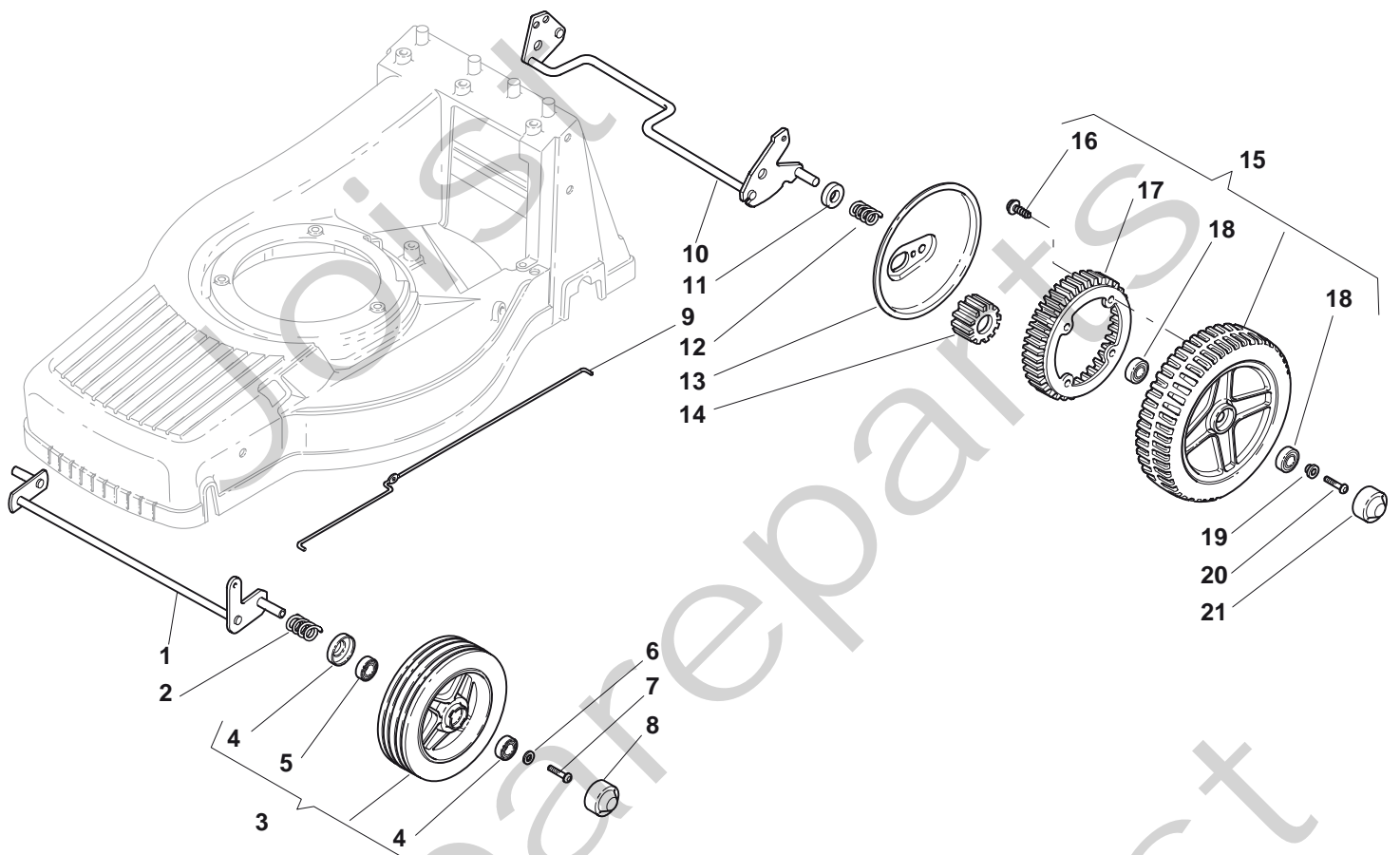
TURBO PRO 55 4S





TURBO PRO 55 4S

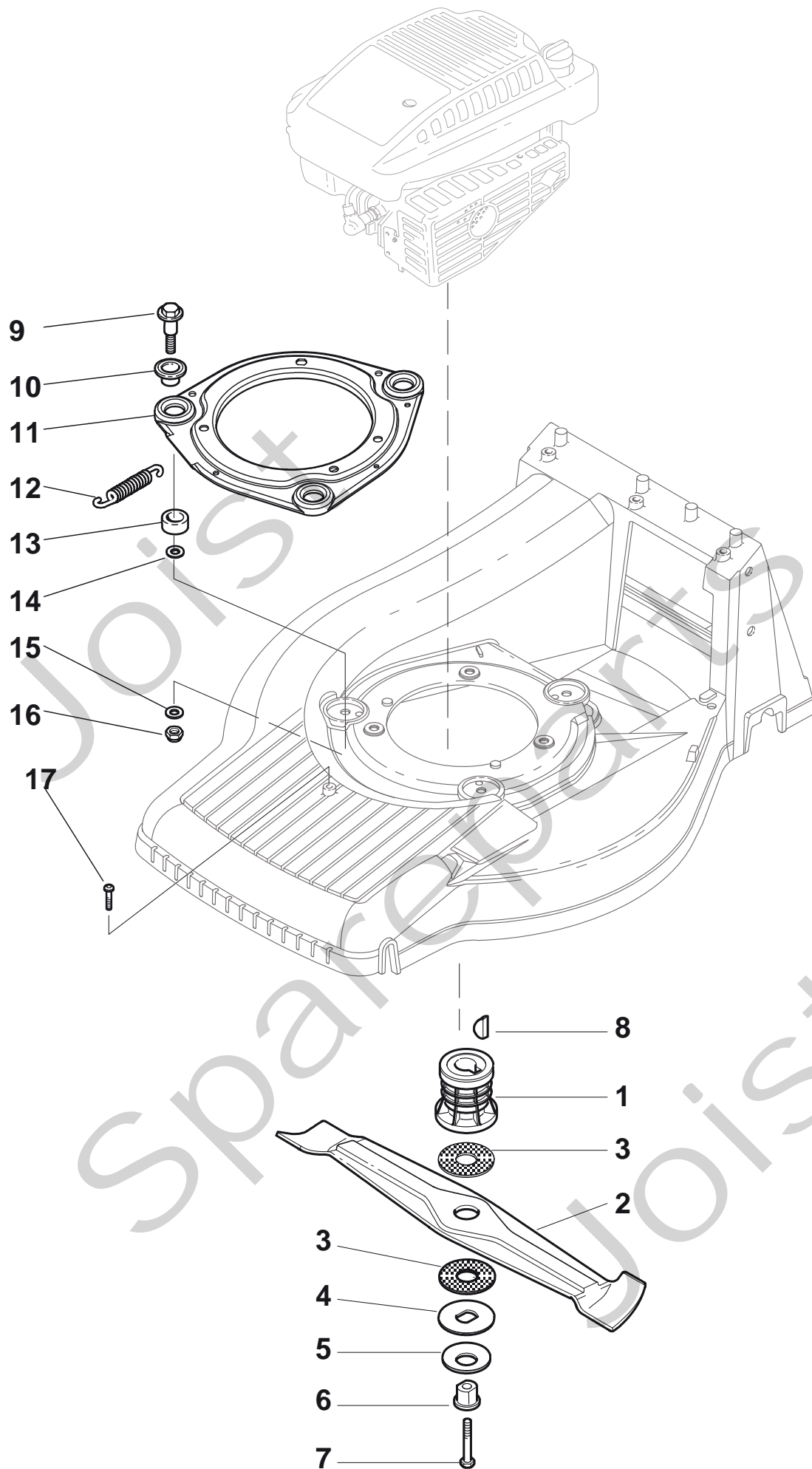
Pos. Fig.	Antal Quantity	Art No Part No	Benämning	Description	Anmärkning Notes
1	2	12000957/0	Låsring	Snap Ring	
2	2	12520032/0	Bricka	Washer	
3	2	22160520/0	Dammskydd	Dust Cover	
5	2	22076645/0	Chassi-röd	Key	
6	2	22170630/0	Distans	Spacer	
7	2	22753002/0	Stift	Pin	
8	2	12520032/0	Bricka	Washer	
9	2	19035152/0	Låsring	Or Ring	
12	1	12728300/0	Skruv	Screw	
13	1	12735664/0	Skruv	Screw	
14	1	22778407/0	Fäste	Support	
15	1	81003086/0	Transmission	Gear Box	
15	1	81003090/0	Transmission	Gear Box	
16	1	22601916/0	Remskiva	Pulley	
17	1	12645700/0	Stift	Pin	
18	1	12674550/0	Skruv	Screw	
19	1	22320003/0	Reglagebygel-drivning	Driving Lever	
20	1	22601914/0	Remskiva	Pulley	
21	1	12154510/0	Mutter	Nut	
22	1	12735669/0	Skruv	Screw	
23	1	22671656/0	Bricka	Washer	
24	1	22601915/0	Remskiva	Pulley	
25	2	12523040/0	Bricka	Washer	
26	1	35064383/0	Drivrem Xpz Lp 837	Belt Xpz Lp 837	
27	1	122601920/0	Remskiva	Pulley, Crankshaft Ø 25	
28	1	12714312/0	Stift	Dowel	
29	1	22806619/0	Fäste	Support	
30	1	12735664/0	Skruv	Screw	
31	1	81007098/0	Variatorreglage	Cable, Speed Drive Control	
32	1	22399809/0	Knopp	Knob	
33	2	12728300/0	Skruv	Screw	
34	2	12728702/0	Skruv	Screw	





TURBO PRO 55 4S

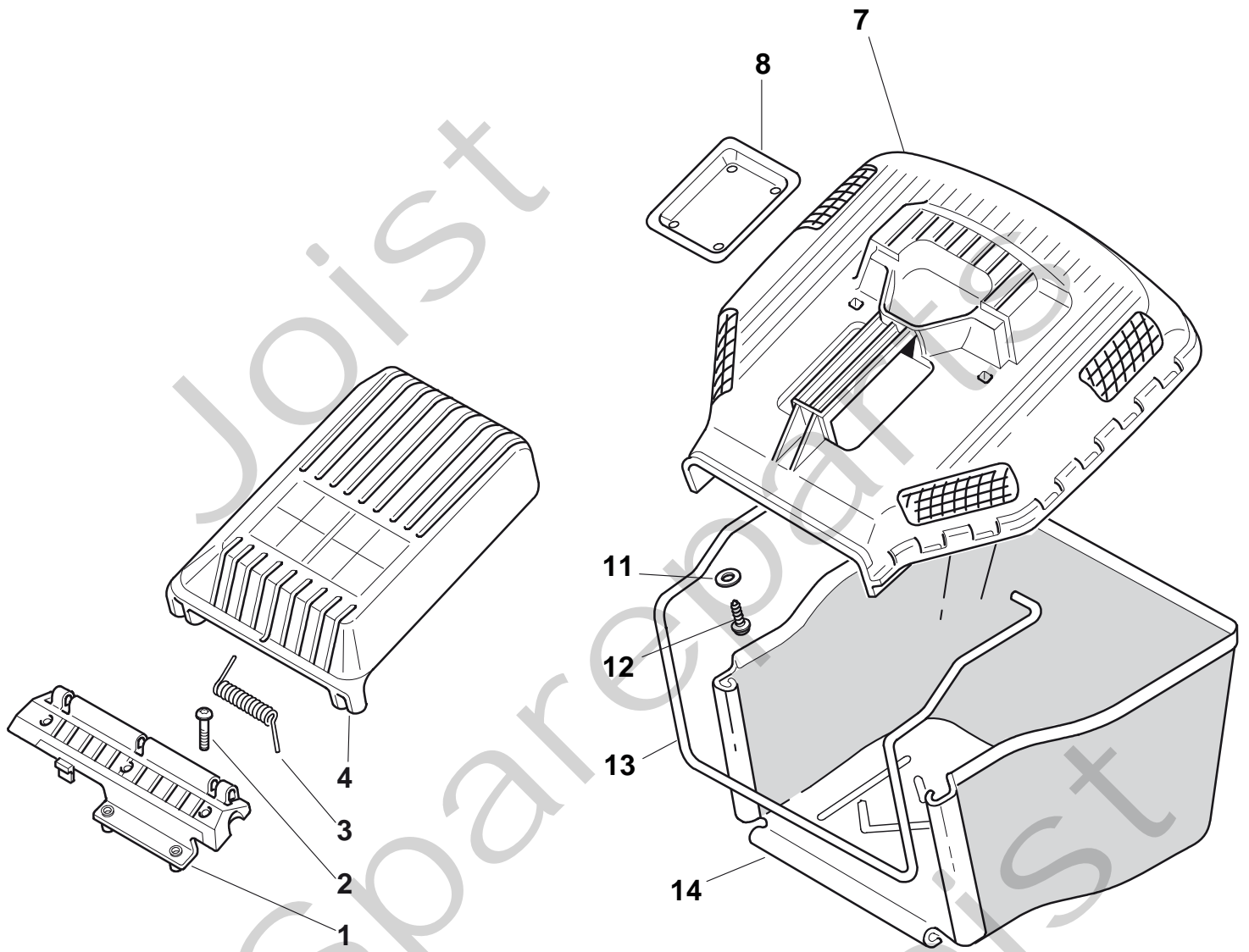
Pos. Fig.	Antal Quantity	Art No Part No	Benämning	Description	Anmärkning Notes
1	1	81002829/0	Hjulaxel-fram	Axle, Front Wheels	
2	2	22430210/0	Fjäder	Spring	
3	2	381007364/0	Hjul Ø 190	Wheel Ø 190	
4	2	22160522/0	Dammskydd	Dust Cover	
5	4	19216039/0	Kullager	Bearing	
6	2	12521460/0	Bricka	Washer	
7	2	112735662/1	Skruv	Screw	
8	2	22110379/0	Navkapsel	Hub Cap	
9	1	22033324/0	Höjdinställn.stång	Rod, Height Adjustment Control	
10	1	81002823/0	Hjulaxel-bakre	Axle, Rear Wheels	
11	2	22170810/0	Distans	Spacer	
12	2	22430215/0	Fjäder	Spring	
13	2	22600127/0	Hjulskydd	Protection, Wheel	
14	2	22570126/0	Drev	Pinion	
15	2	81007368/0	Hjul Ø 215	Wheel Ø 215	
16	8	12728210/0	Skruv	Screw	
17	2	22120108/0	Ringdrev	Ring Gear	
18	4	19216038/0	Kullager	Bearing	
19	2	22671655/0	Bricka	Washer	
20	2	12735592/0	Skruv	Screw	
21	2	22110380/0	Navkapsel	Hub Cap	





TURBO PRO 55 4S

Pos. Fig.	Antal Quantity	Art No Part No	Benämning	Description	Anmärkning Notes
1	1	122465637/0	Knivfäste Ø 22	Hub With Pulley, Crankshaft Ø 25	
2	1	81004134/0	Kniv	Blade Winged	
3	2	22672111/0	Friktionsskiva	Clutch Washer	
4	1	22672105/0	Bricka	Washer	
5	1	12508120/0	Fjäderbricka	Cupped Spring	
6	1	22041940/0	Bussning	Clutch Bush	
7	1	12736825/0	Skruv	Screw	
8	1	12139150/0	Kil	Feather, Crankshaft Ø 25	
9	3	22524329/0	Stift	Pin	
10	3	22672201/0	Bricka	Washer	
11	1	22207225/0	Fläns	Flange, Black	
12	1	22450445/0	Fjäder	Spring	
13	3	22250012/0	Kedjelänk	Grommet	
14	3	22671651/0	Bricka	Washer	
15	3	12523060/0	Bricka	Washer (Mech.)	
16	3	12155000/0	Mutter	Nut	
17	1	12735661/0	Skruv	Screw	





TURBO PRO 55 4S

Pos. Fig.	Antal Quantity	Art No Part No	Benämning	Description	Anmärkning Notes
1	1	22785157/0	Luckfäste-gul	Support, Yellow	
2	3	12735664/0	Skruv	Screw	
3	1	22450430/0	Fjäder	Spring	
4	1	22600069/1	Lucka	Stone-Guard, Yellow	
7	1	22486095/0	Uppsamlare-överdel	Grass-Box, Upper Part	
8	1	22486098/0	Plåt	Plate	
11	2	12521460/0	Bricka	Washer	
12	2	12728300/0	Skruv	Screw	
13	1	22608528/0	Trådbygel	Stitching Lower	
14	1	81002235/0	Uppsamlingsäck	Box, Fabric	