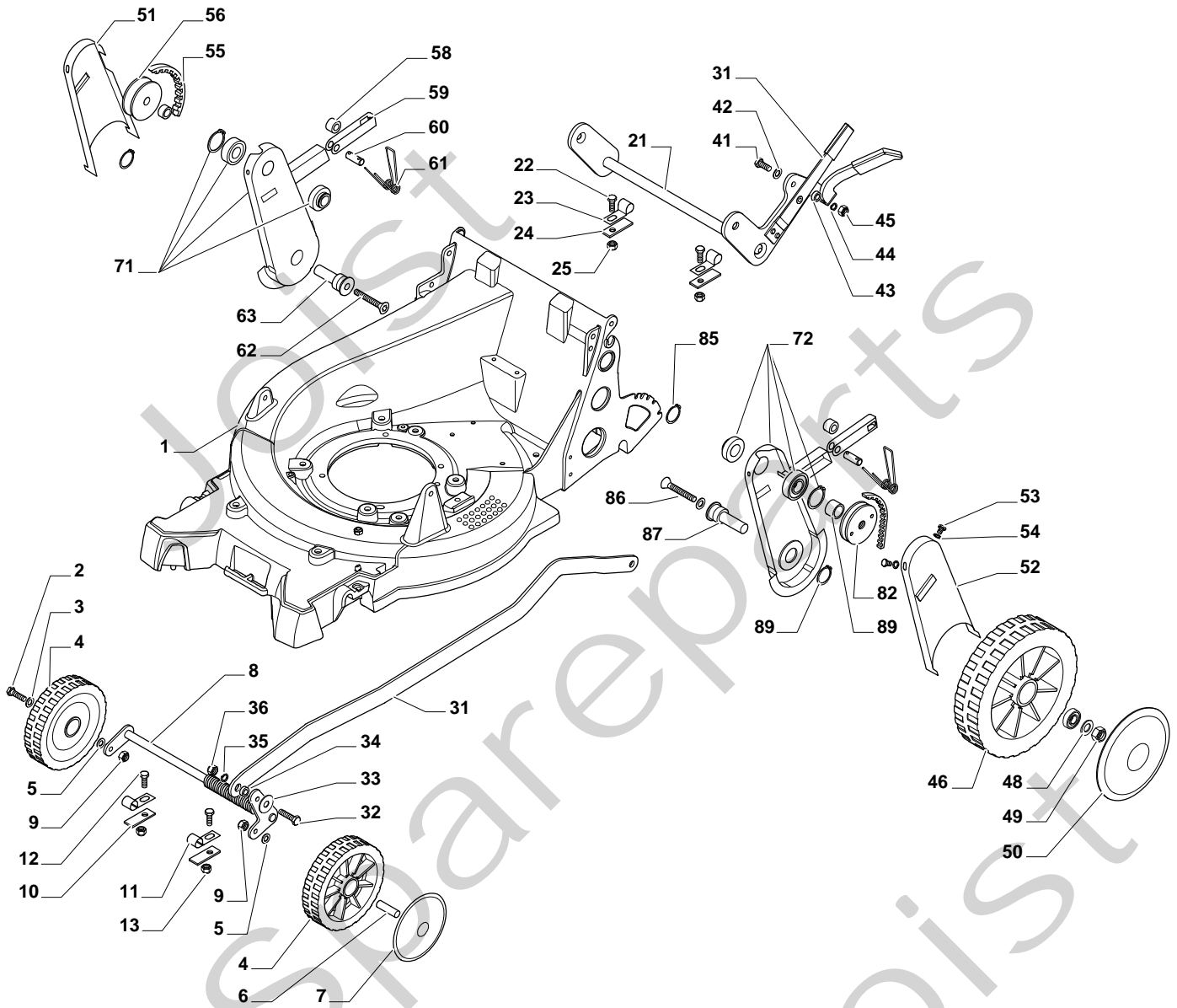


Genuine Spare Parts

TURBO HD 60 MB



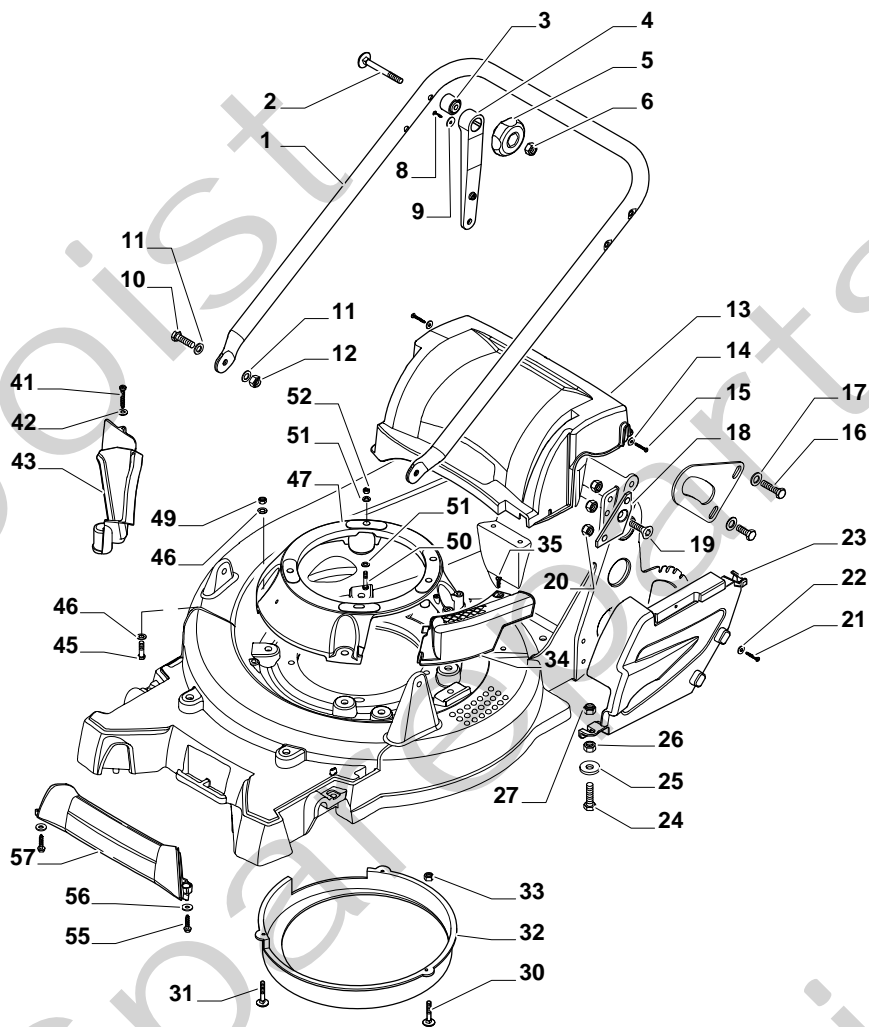




TURBO HD 60 MB - Model Year 2009

| Pos. Fig. | Antal Quantity | Art No Part No | Benämning | Description | Anmärkning Notes |
|-----------|----------------|----------------|--------------------|------------------------|------------------|
| 1 | 1 | 381003773/0 | Chassi | Deck Grey | |
| 2 | 2 | 12691700/0 | Skruv | Screw | |
| 3 | 2 | 12523060/0 | Bricka | Washer | |
| 4 | 2 | 15796 | Stödhjul | Wheel D.200 | |
| 5 | 2 | 12524010/0 | Bricka | Washer | |
| 6 | 2 | 10724 | Sprint | Pin | |
| 7 | 2 | 14604 | Navkapsel-grf | Hub Cap, Grey D.200 | |
| 8 | 1 | 381002867/0 | Hjulaxel | Axle, Front Wheels | |
| 9 | 2 | 12155000/0 | Mutter | Nut | |
| 10 | 2 | 10646 | Plåt | Plate | |
| 11 | 2 | 14109 | Platta | Plate | |
| 12 | 2 | 12793701/0 | Skruv | Screw | |
| 13 | 2 | 12524010/0 | Bricka | Washer | |
| 21 | 1 | 11760 | Hjulaxel | Axle, Rear Wheels | |
| 22 | 2 | 12793700/0 | Skruv | Screw | |
| 23 | 2 | 14109 | Platta | Plate | |
| 24 | 2 | 10646 | Plåt | Plate | |
| 25 | 2 | 12155000/0 | Mutter | Nut | |
| 31 | 1 | 381002025/0 | Höjdinställn.stång | Rod, Height Adjustment | |
| 32 | 1 | 12793700/0 | Skruv | Screw | |
| 33 | 1 | 12523070/0 | Bricka | Washer | |
| 34 | 1 | 11705 | Bussning | Bush | |
| 35 | 1 | 12523070/0 | Bricka | Washer | |
| 36 | 1 | 12155000/0 | Mutter | Nut | |
| 41 | 1 | 12793700/0 | Skruv | Screw | |
| 42 | 1 | 12521350/0 | Bricka | Washer | |
| 43 | 1 | 11705 | Bussning | Bush | |
| 44 | 1 | 12523070/0 | Bricka | Washer | |
| 45 | 1 | 12155000/0 | Mutter | Nut | |
| 46 | 2 | 15795 | Stödhjul | Wheel D.250 | |
| 48 | 2 | 12523060/0 | Bricka | Washer | |
| 49 | 2 | 12155000/0 | Mutter | Nut | |
| 50 | 2 | 14601 | Navkapsel-grf | Hub Cap, Grey D.250 | |
| 51 | 1 | 381119751/0 | Remskydd | Protection, Belt | |
| 52 | 1 | 381119753/0 | Remskydd | Protection, Belt | |
| 53 | 4 | 12788800/0 | Skruv | Screw | |
| 54 | 4 | 12581500/0 | Lisbricka | Grower | |
| 55 | 2 | 10700 | Drivrem | Belt | |
| 56 | 1 | 11109 | Remskiva | Pulley | |
| 58 | 2 | 10530 | Bussning | Bush | |
| 59 | 2 | 10529 | Plåt | Plate | |
| 60 | 2 | 10531 | Sprint | Pin | |
| 61 | 2 | 10636 | Fjäder | Spring | |
| 62 | 1 | 112882030/0 | Skruv | Screw | |
| 63 | 2 | 10467 | Sprint | Pin | |
| 71 | 1 | 11763 | Protection, Belt | Protection, Belt | |
| 72 | 1 | 11762 | Protection, Belt | Protection, Belt | |
| 81 | 2 | 11108 | Distans | Spacer | |
| 82 | 1 | 11110 | Remskiva | Pulley | |
| 85 | 2 | 112609800/0 | Seegerring | Seeger | |
| 86 | 1 | 112882035/0 | Skruv | Screw | |
| 87 | 1 | 12523070/0 | Bricka | Washer | |
| 89 | 2 | 112609800/0 | Seegerring | Seeger | |

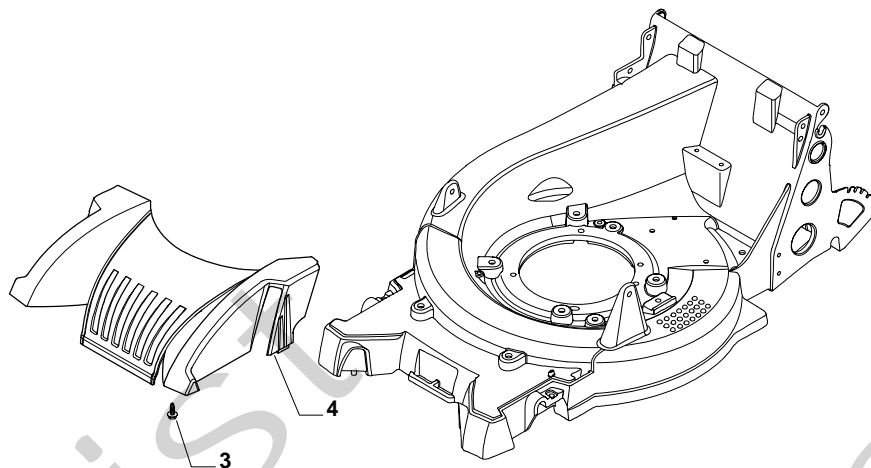
TURBO HD 60 MB - Model Year 2009



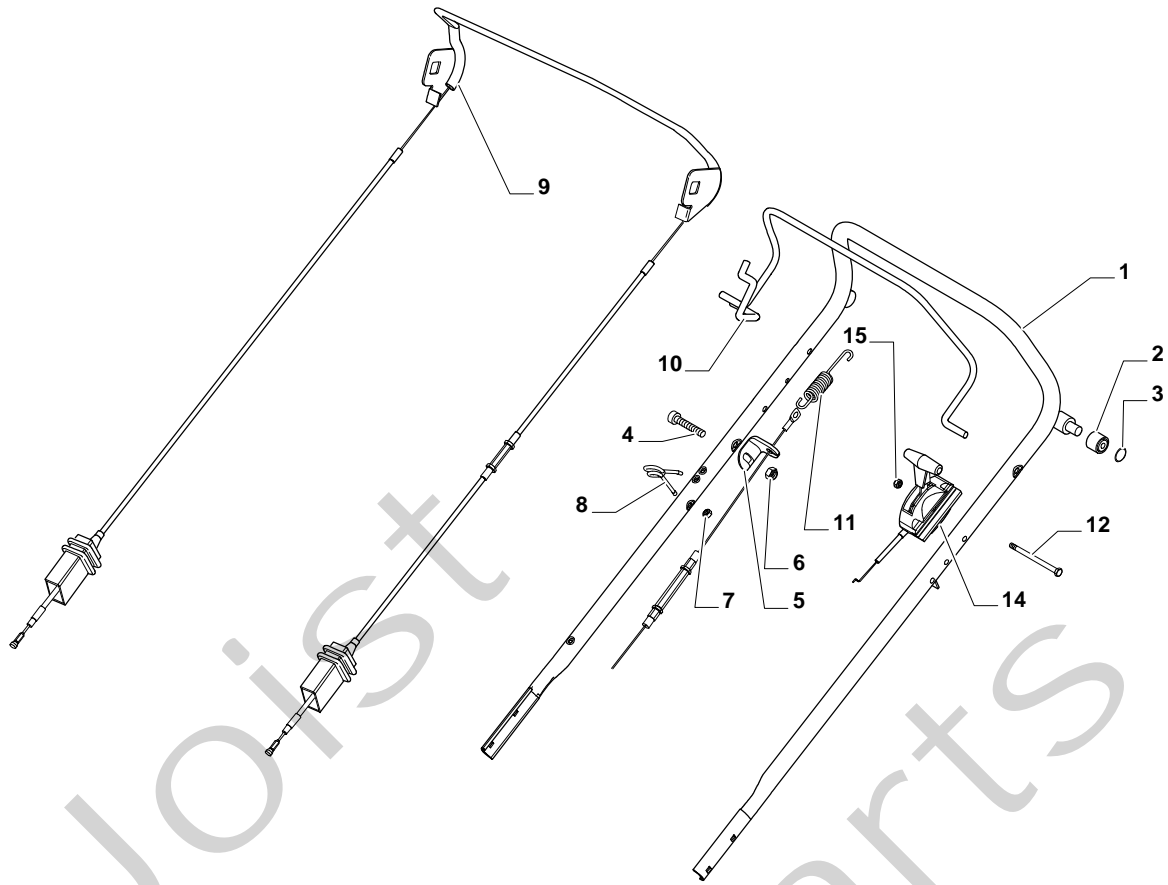


TURBO HD 60 MB - Model Year 2009

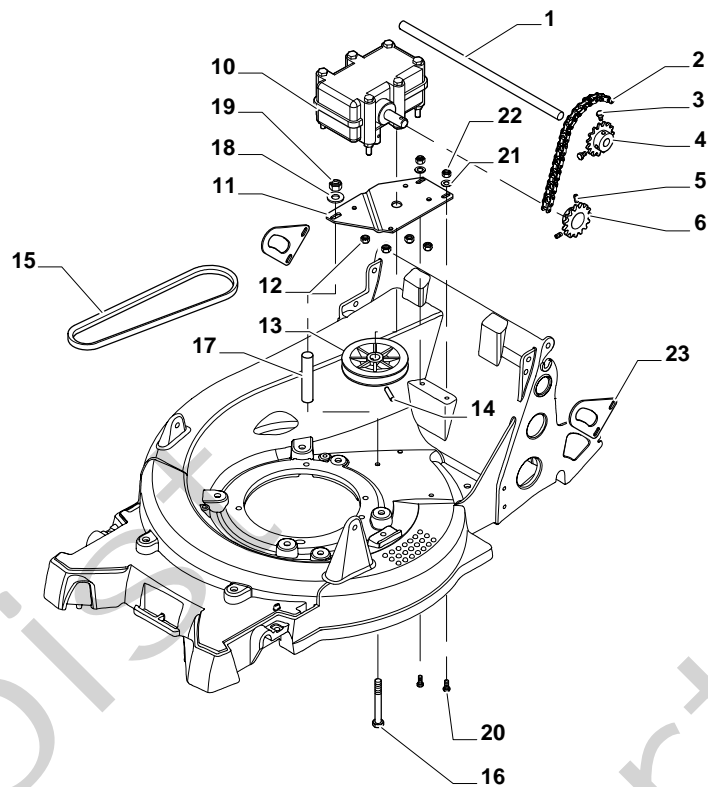
| Pos. Fig. | Antal Quantity | Art No Part No | Benämning | Description | Anmärkning Notes |
|-----------|----------------|----------------|-----------------|---------------------------|------------------|
| 1 | 1 | 322498121/0 | Styre-underdel | Handle, Lower Part Yellow | |
| 2 | 2 | 112819205/0 | Skruv | Screw | |
| 3 | 2 | 322020501/0 | Hylsa | Shock Absorber | |
| 4 | 2 | 322785285/0 | Stöd | Support | |
| 5 | 2 | 322399804/1 | Knopp | Knob | |
| 6 | 2 | 12293200/0 | Mutter | Nut | |
| 8 | 2 | 12735101/0 | Skruv | Screw | |
| 9 | 2 | 12523010/0 | Bricka | Washer | |
| 10 | 2 | 12793701/0 | Skruv | Screw | |
| 11 | 4 | 12521350/0 | Bricka | Washer | |
| 12 | 2 | 12155000/0 | Mutter | Nut | |
| 13 | 1 | 322109824/0 | Kåpa-övre | Cover, Upper Black | |
| 14 | 2 | 112523000/1 | Bricka | Washer | |
| 15 | 2 | 12728525/0 | Skruv | Screw | |
| 16 | 4 | 12793701/0 | Skruv | Screw | |
| 17 | 2 | 12521350/0 | Bricka | Washer | |
| 18 | 1 | 15228 | Stödhjul | Support | |
| 19 | 1 | 112882005/0 | Skruv | Screw | |
| 20 | 3 | 12155000/0 | Mutter | Nut | |
| 21 | 1 | 12728525/0 | Skruv | Screw | |
| 22 | 2 | 112523000/1 | Bricka | Washer | |
| 23 | 1 | 322060229/0 | Hus | Case | |
| 24 | 1 | 12793701/0 | Skruv | Screw | |
| 25 | 1 | 12524010/0 | Bricka | Washer | |
| 26 | 1 | 12293200/0 | Mutter | Nut | |
| 27 | 1 | 12155000/0 | Mutter | Nut | |
| 30 | 1 | 112760471/0 | Skruv | Screw | |
| 31 | 2 | 112760470/0 | Skruv | Screw | |
| 32 | 1 | 10743 | Inmatningstratt | Conveyor | |
| 33 | 3 | 12150000/0 | Mutter | Nut | |
| 34 | 1 | 322601010/0 | Skydd | Guard | |
| 35 | 1 | 12735101/0 | Skruv | Screw | |
| 41 | 1 | 12728525/0 | Skruv | Screw | |
| 42 | 2 | 112523000/1 | Bricka | Washer | |
| 43 | 1 | 322601012/0 | Skydd | Guard | |
| 45 | 4 | 112794400/0 | Skruv | Screw | |
| 46 | 8 | 12521360/0 | Bricka | Washer | |
| 47 | 1 | 381207228/0 | Fläns | Flange | |
| 49 | 4 | 12156602/0 | Mutter | Nut | |
| 50 | 3 | 12793801/0 | Skruv | Screw | |
| 51 | 6 | 12521350/0 | Bricka | Washer | |
| 52 | 3 | 12155000/0 | Mutter | Nut | |
| 55 | 2 | 12731600/1 | Skruv | Screw | |
| 56 | 2 | 12523020/0 | Bricka | Washer | |
| 57 | 1 | 322485001/0 | Skydd | Guard | |



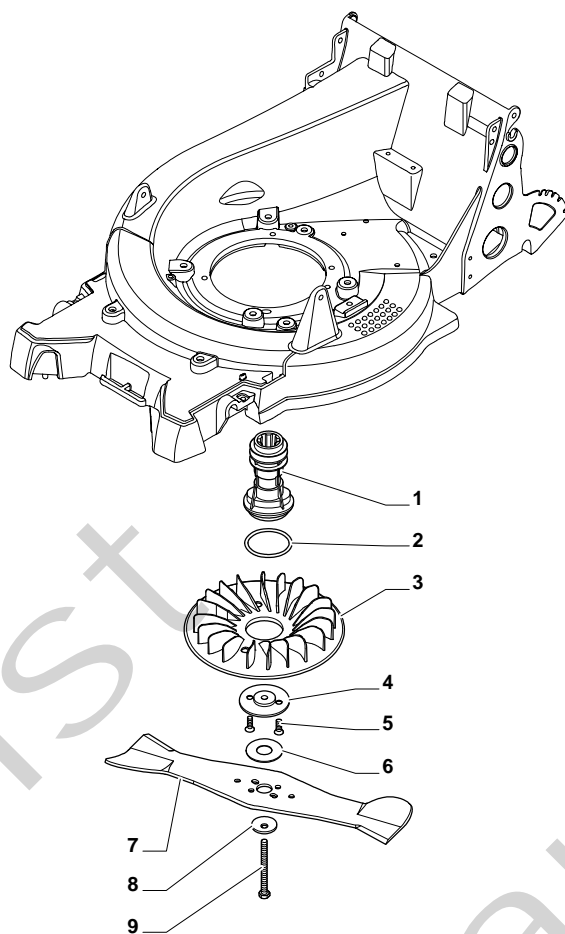
| Pos. Fig. | Antal Quantity | Art No Part No | Benämning | Description | Anmärkning Notes |
|-----------|----------------|----------------|----------------|--------------|------------------|
| 3 | 2 | 112735420/0 | Skruv | Screw | |
| 4 | 1 | 322226132/0 | Frontkläpa-gul | Mask, Yellow | |



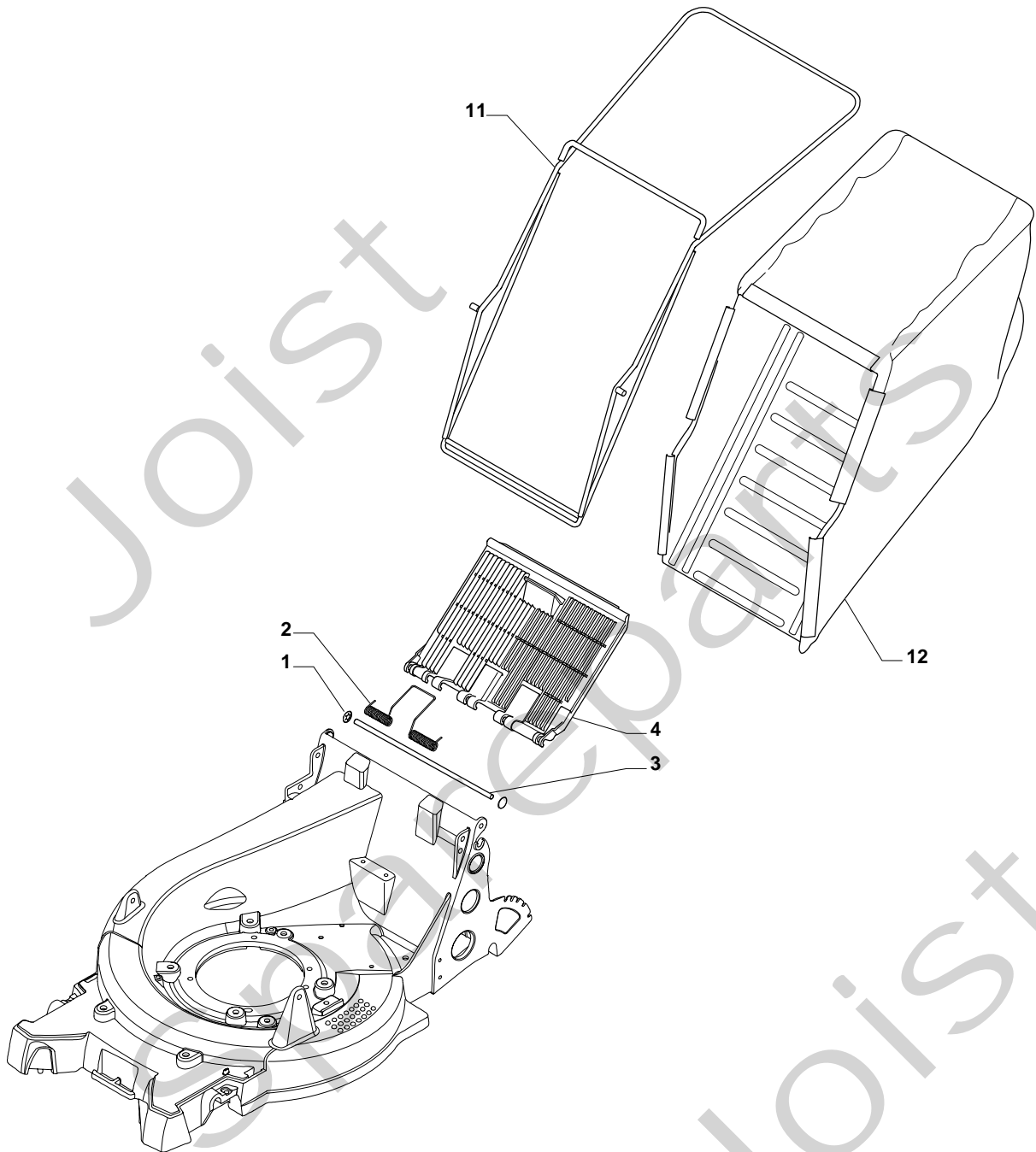
| Pos. Fig. | Antal Quantity | Art No Part No | Benämning | Description | Anmärkning Notes |
|-----------|----------------|----------------|-----------------------|----------------------------|------------------|
| 1 | 1 | 381006873/0 | Styre-överdel | Handle, Upper Part Yellow | |
| 2 | 2 | 11076 | Bussning | Bush | |
| 3 | 2 | 14608 | Låsbricka | Crown Fastener | |
| 4 | 1 | 12727793/0 | Skruv | Screw | |
| 5 | 1 | 14599 | Plåt | Plate For Cable Fastening | |
| 6 | 1 | 12154510/0 | Mutter | Nut | |
| 7 | 1 | 12154330/0 | Mutter | Nut | |
| 8 | 1 | 122430309/0 | Brytare | Spring | |
| 9 | 1 | 381030038/1 | Arm | Lever, Rear Drive | |
| 10 | 1 | 181003334/0 | Reglagebygel-drivning | Lever, Driving | |
| 11 | 1 | 181030036/0 | Motorbromswire | Cable, Thread Engine Brake | |
| 12 | 1 | 12727786/0 | Skruv | Screw | |
| 14 | 1 | 181007145/0 | Gaswire | Cable, Trottle | |
| 15 | 1 | 12154510/0 | Mutter | Nut | |



| Pos. Fig. | Antal Quantity | Art No Part No | Benämning | Description | Anmärkning Notes |
|-----------|----------------|----------------|--------------|-------------------|------------------|
| 1 | 1 | 11111 | Axel | Axle | |
| 2 | 1 | 14875 | Kedja | Chain | |
| 3 | 2 | VBCH6x12 | Skruv | Screw | |
| 4 | 1 | 15393 | Drev | Pinion 15T | |
| 5 | 2 | 12714302/0 | Stift | Dowel | |
| 6 | 1 | 14117 | Drev | Pinion 17T | |
| 10 | 1 | 15391 | Transmission | Gear Box | |
| 11 | 1 | 14115 | Bussning | Support, Gear Box | |
| 12 | 4 | 12154510/0 | Mutter | Nut | |
| 13 | 1 | 15390 | Remskiva | Pulley | |
| 14 | 1 | 112645706/0 | Stift | Pin | |
| 15 | 1 | 15507 | Drivrem | Belt | |
| 16 | 1 | 112692090/0 | Skruv | Screw | |
| 17 | 1 | 14119 | Sprint | Pin | |
| 18 | 1 | 12521350/0 | Bricka | Washer | |
| 19 | 1 | 12155000/0 | Mutter | Nut | |
| 20 | 2 | 12791400/0 | Skruv | Screw | |
| 21 | 2 | 12523040/0 | Bricka | Washer | |
| 22 | 2 | 12154510/0 | Mutter | Nut | |
| 23 | 2 | 14130 | Platta | Plate | |



| Pos. Fig. | Antal Quantity | Art No Part No | Benämning | Description | Anmärkning Notes |
|-----------|----------------|----------------|-----------|----------------|------------------|
| 1 | 1 | 122465643/0 | Nav | Hub | |
| 2 | 1 | 25489 | Låsring | Ring | |
| 3 | 1 | 25041 | Fläkt | Fan | |
| 4 | 1 | 14444 | Fläns | Flange | |
| 5 | 2 | 122943012/0 | Skruv | Screw | |
| 6 | 1 | 5029 | Bricka | Washer | |
| 7 | 1 | 181004149/0 | Kniv | Blade Standard | |
| 8 | 1 | 14459 | Bricka | Washer | |
| 9 | 1 | 112735820/0 | Skruv | Screw | |





TURBO HD 60 MB - Model Year 2009

| Pos. Fig. | Antal Quantity | Art No Part No | Benämning | Description | Anmärkning Notes |
|-----------|----------------|----------------|----------------|-------------------|------------------|
| 1 | 2 | 14608 | Låsbricka | Crown Fastener | |
| 2 | 1 | 10850 | Fjäder | Spring | |
| 3 | 1 | 10679 | Sprint | Pin | |
| 4 | 1 | 11189 | Lucka | Stone-Guard | |
| 11 | 1 | 14436 | Chassi | Chassis Box | |
| 12 | 1 | 181002296/0 | Uppsamlingsäck | Box, Fabric Stiga | |