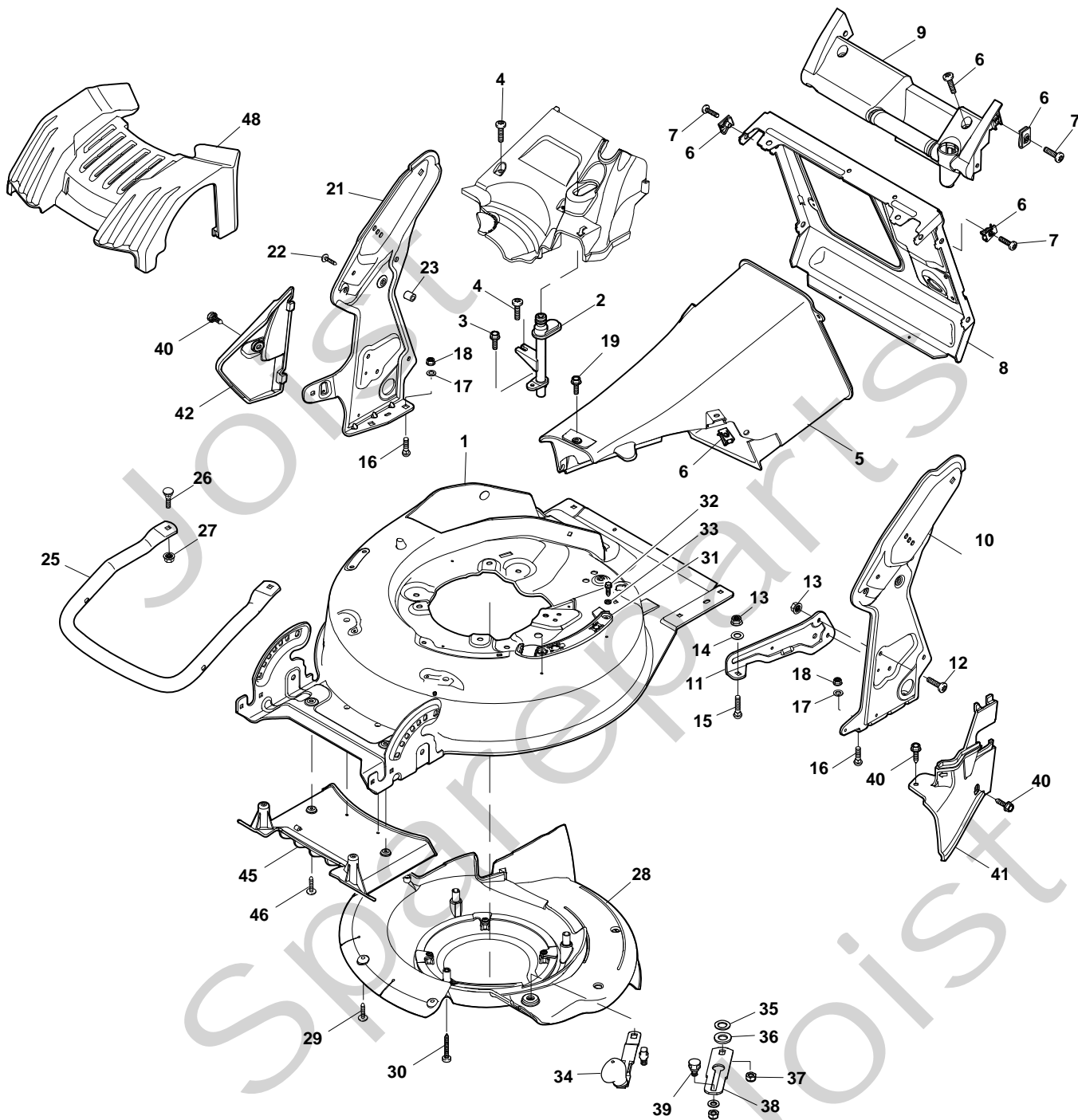


# **Genuine Spare Parts**

---

**TURBO EXCEL 50  
S INOX H BBC**

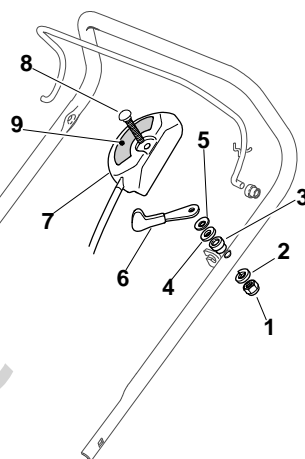




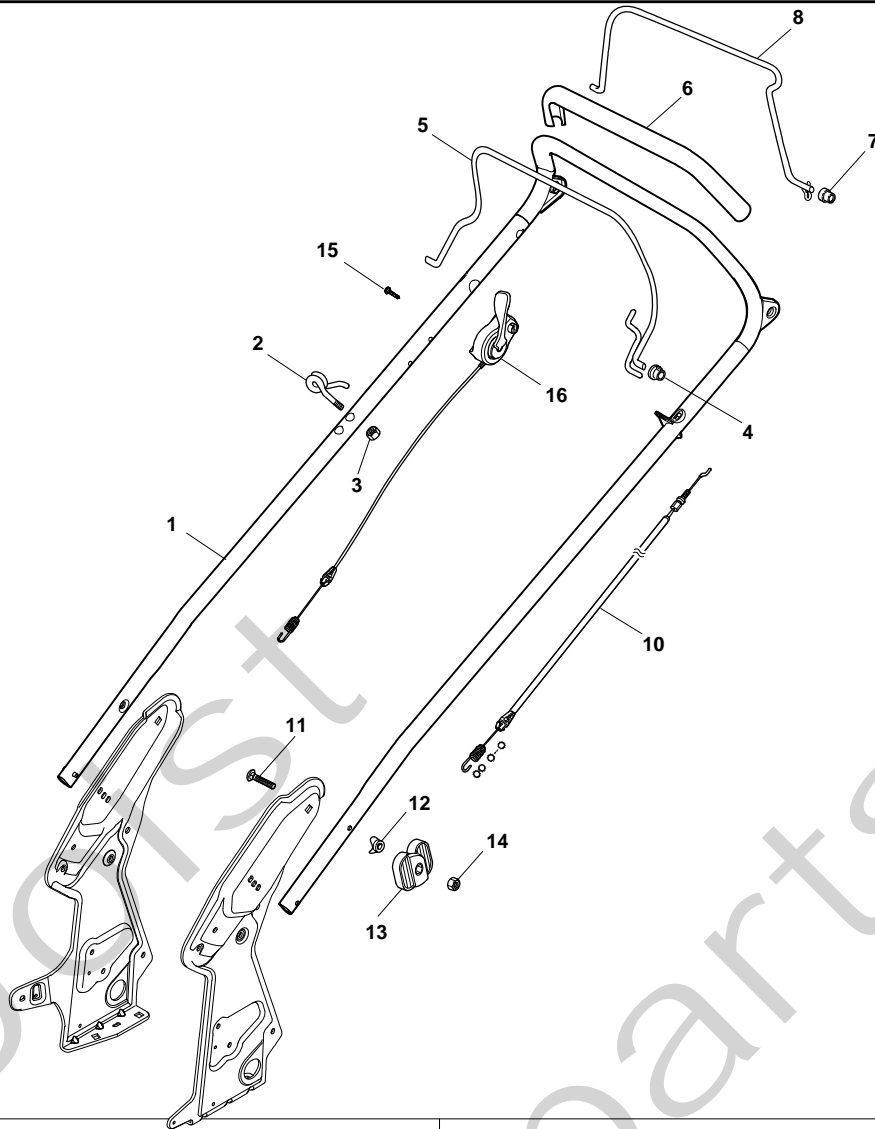


## TURBO EXCEL 50 S INOX H BBC - Model Year 2009

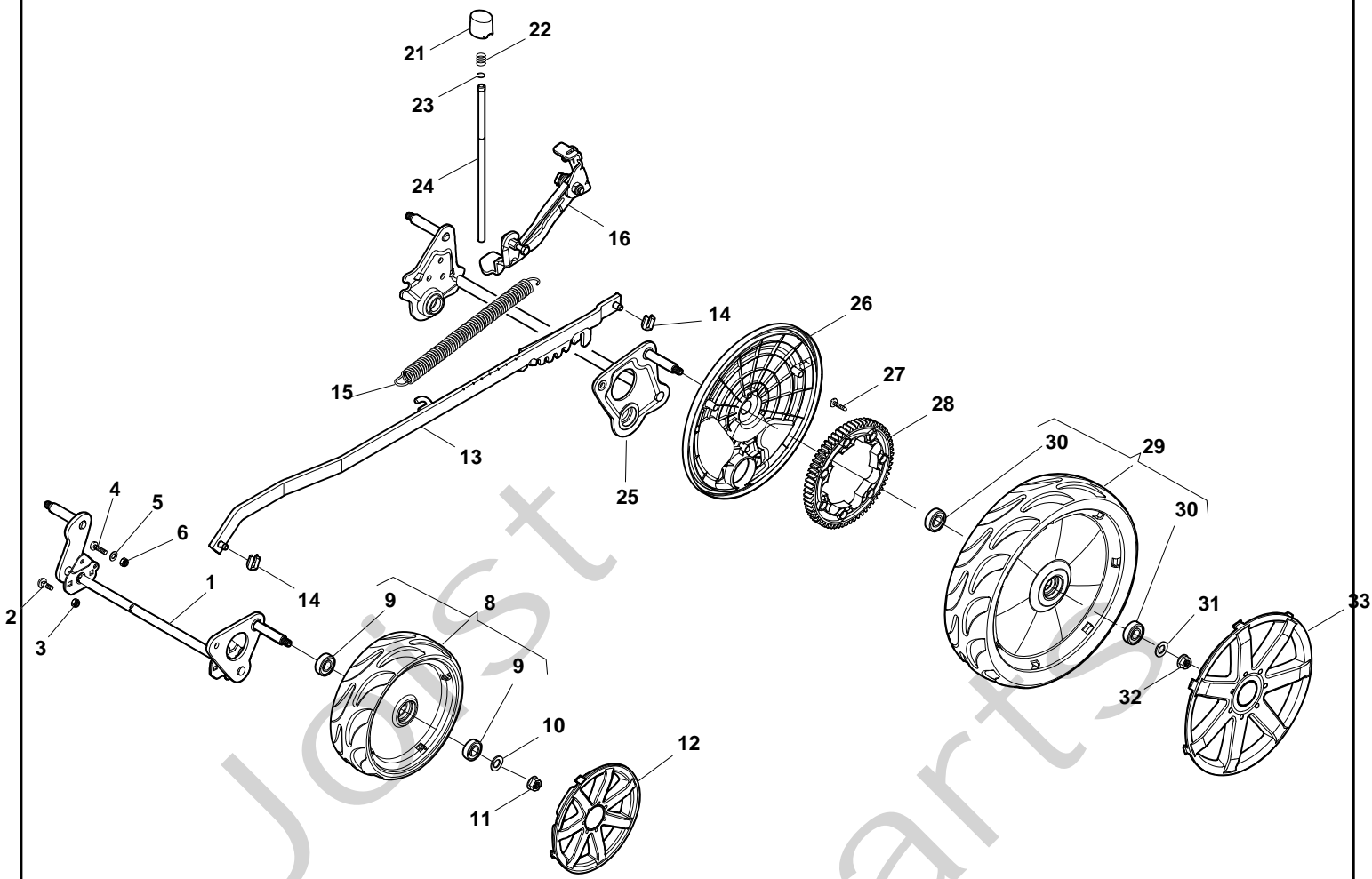
Pos. Fig.	Antal Quantity	Art No Part No	Benämning	Description	Anmärkning Notes
1	1	322064706/0	Chassi	Deck INOX	
1	1	381003852/0	Chassi	Deck Grey	
2	1	322034001/0	Slanganslutning	Washing Connection	
3	1	125943004/0	Skruv	Screw	
4	2	112727802/0	Skruv	Screw	
5	1	322108290/0	Inmatningstratt	Conveyor Yellow	
6	10	112437507/0	Plåt	Plate	
7	8	112727802/0	Skruv	Screw	
8	1	381545321/0	Platta	Rear Plate	
8	1	381545323/0	Platta	Rear Plate	
9	1	322785282/0	Stöd	Support	
10	1	381545327/0	Fäste-vä	Bracket, L	
11	1	322545191/0	Stöd	Support	
12	2	112727803/0	Skruv	Screw	
13	2	12154510/0	Mutter	Nut	
14	1	12521330/0	Bricka	Washer	
15	1	12815200/0	Skruv	Screw	
16	4	12818690/0	Skruv	Screw	
17	4	12521350/0	Bricka	Washer	
18	4	12155000/0	Mutter	Nut	
19	1	12729601/1	Skruv	Screw	
21	1	381545325/0	Fäste-hö	Bracket, R	
22	2	112735662/1	Skruv	Screw	
23	2	122534128/0	Pin	Pin	
25	2	381393701/0	Hjulskydd	Protection	
26	2	12815205/0	Skruv	Screw	
27	2	12154510/0	Mutter	Nut	
28	1	381102200/0	Skydd	Protection	
29	2	125943004/0	Skruv	Screw	
30	3	112735115/0	Skruv	Screw	
31	1	322500052/1	Glidblock	Shoe	
32	2	12731580/0	Skruv	Screw	
33	2	12521331/0	Bricka	Washer	
34	1	381003338/0	Arm	Lever	
35	1	21660100/0	Bricka	Washer	
36	1	12521370/0	Bricka	Washer	
37	1	12293201/0	Mutter	Nut	
38	1	322320009/0	Arm	Lever	
39	1	122042022/0	Bussning	Bush	
40	3	125943004/0	Skruv	Screw	
41	1	322109826/0	Skydd	Guard Black	
42	1	322109825/0	Skydd	Guard Black	
45	1	322500100/0	Air Intake Grill	Air Intake Grill	
46	6	112728706/0	Skruv	Screw	
48	1	322226135/0	Frontklpa-gul	Mask, Yellow	



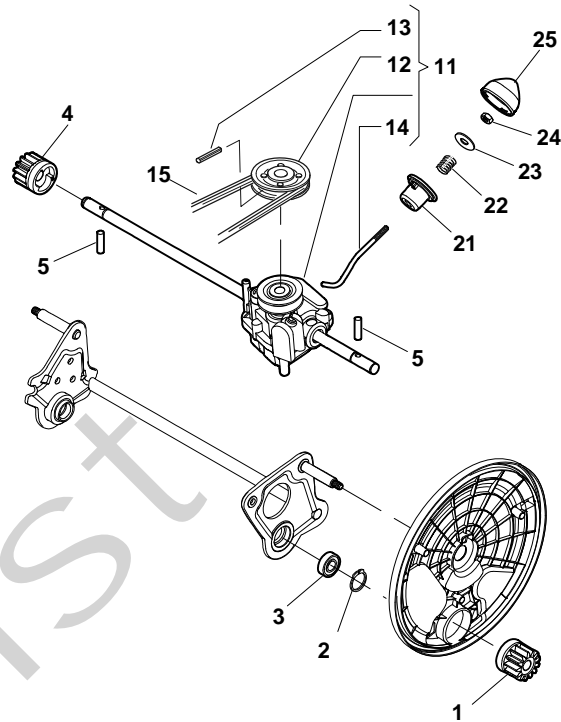
Pos. Fig.	Antal Quantity	Art No Part No	Benämning	Description	Anmärkning Notes
1	1	12291000/0	Mutter	Nut	
2	1	12581500/0	Låsbricka	Grower	
3	1	22171005/0	Distans	Spacer	
4	1	12521360/0	Bricka	Washer	
5	1	12508100/0	Låsbricka	Washer	
6	1	81007220/0	Gasarm	Lever, Throttle	
6	1	81007279/1	Gasarm	Lever, Throttle	
7	1	81007080/0	Gaswire	Cable, Throttle	
8	1	12815000/0	Skruv	Screw	
9	1	114356905/0	Dekal	Label	
9	1	114364264/0	Dekal	Label	
9	1	14356702/0	Dekal	Label	
9	1	14356703/0	Dekal	Label	



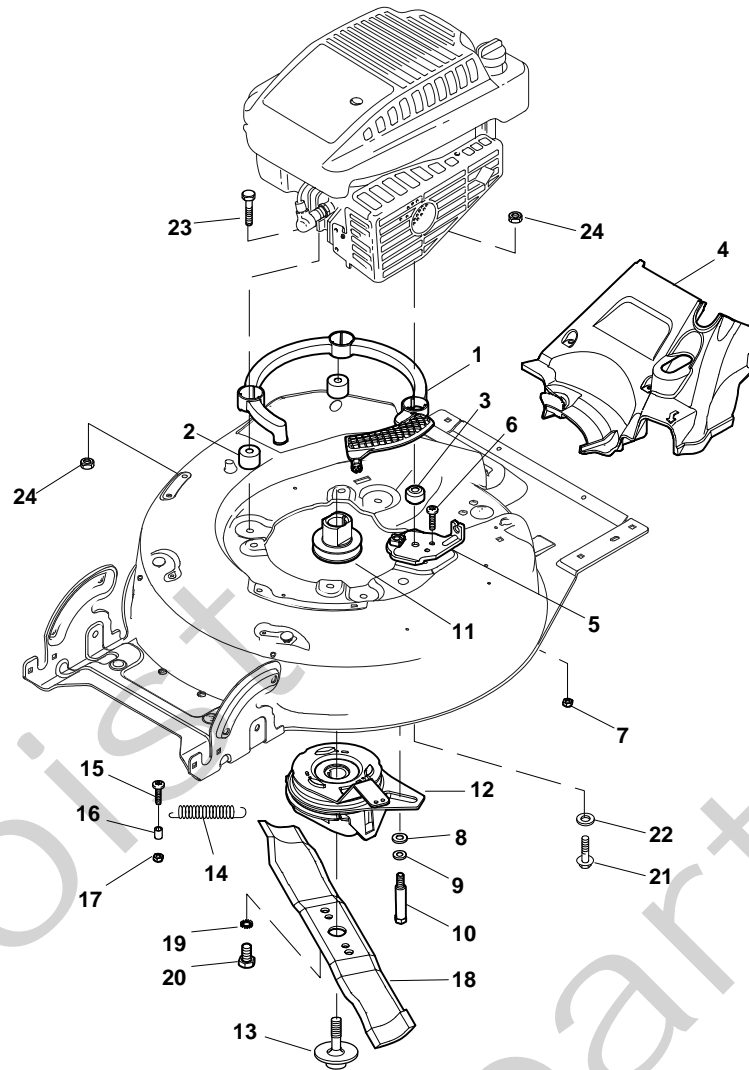
Pos. Fig.	Antal Quantity	Art No Part No	Benämning	Description	Anmärkning Notes
1	1	381006879/0	Styre-överdel	Handle, Upper Part, Grey	
1	1	381006881/0	Styre-överdel	Handle, Upper Part	
2	1	22430309/0	Ögla	Guide Spring	
3	1	12154330/0	Mutter	Nut	
4	2	22041966/0	Bussning	Bush	
5	1	81003291/3	Reglagebygel	Lever, Engine Brake	
6	1	22291050/0	Handtag	Handgrip Black	
7	2	22041965/1	Bussning	Bush	
8	1	81003288/1	Reglagebygel	Lever, Driving	
9	1	381030046/0	Motorbromswire	Cable, Thread Engine Brake	
10	1	381030047/0	Kopplingswire	Cable, Rear Drive	
11	2	12819120/0	Skruv	Screw	
12	2	22680006/1	Bricka	Washer	
13	2	22399803/0	Knopp	Knob	
14	2	12293202/0	Mutter	Nut	
15	1	12727784/0	Skruv	Screw	
16	1	381030046/0	Motorbromswire	Cable, Thread Engine Brake	



Pos. Fig.	Antal Quantity	Art No Part No	Benämning	Description	Anmärkning Notes
1	1	381002869/0	Hjulaxel	Axle, Front Wheels	
2	4	12815205/0	Skruv	Screw	
3	4	12154510/0	Mutter	Nut	
4	2	112727799/0	Skruv	Screw	
5	2	12523040/0	Bricka	Washer	
6	2	12154510/0	Mutter	Nut	
8	2	381007394/0	Stödhjul	Wheel D.210	
9	4	19216035/0	Lager	Bearing	
10	2	12521350/0	Bricka	Washer	
11	2	12155000/0	Mutter	Nut	
12	2	322110597/0	Navkapsel	Hub Cap	
13	1	381002027/0	Höjdställn.stång	Rod, Height Adjustment	
14	2	112436051/0	Plåt	Plate	
15	1	122450459/0	Fjäder	Spring	
16	1	381003337/0	Höjdst.spak	Lever, Height Adjustment	
21	1	322602012/0	Tryckring	Button	
22	1	122450462/0	Fjäder	Spring	
23	1	12000930/0	Låsring	Snap Ring	
24	1	122033351/0	Stång	Rod	
25	1	381002873/0	Hjulaxel	Axle, Rear Wheels	
26	2	322600179/0	Hjulskydd	Protection, Wheel	
27	6	12728691/0	Skruv	Screw	
28	2	322120113/0	Ringdrev	Ring Gear	
29	2	381007396/0	Stödhjul	Wheel D.300	
30	4	19216035/0	Lager	Bearing	
31	2	12521350/0	Bricka	Washer	
32	2	12155000/0	Mutter	Nut	
33	2	322110598/0	Navkapsel	Hub Cap	

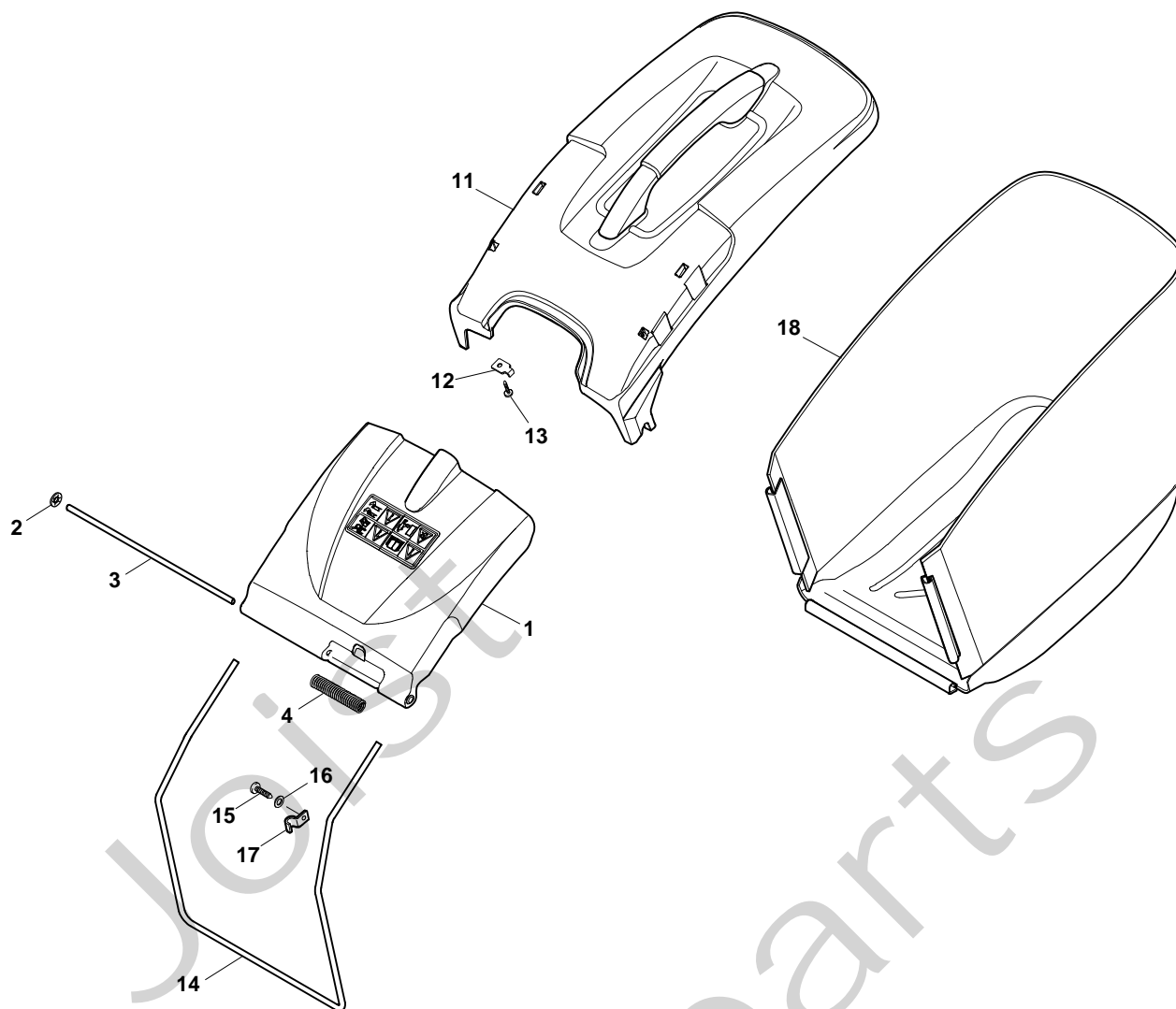


Pos. Fig.	Antal Quantity	Art No Part No	Benämning	Description	Anmärkning Notes
1	1	122570131/0	Drev	Pinion L	
2	4	12608600/0	Låsring	Snap Ring	
3	2	19216035/0	Lager	Bearing	
4	1	122570132/0	Drev	Pinion R	
5	2	22753000/0	Stift	Pin	
11	1	181003103/0	Transmission	Gear Box	
12	1	22601904/0	Remskiva	Pulley	
13	1	12645705/0	Stift	Pin	
14	1	122033288/0	Höjdställn.stång	Adjustment Rod	
15	1	35064150/0	Drive belt	Belt Z 32	
21	1	22041957/1	Bussning	Bush	
22	1	22450063/0	Fjäder	Spring	
23	1	22680009/0	Bricka	Washer	
24	1	12154510/0	Mutter	Nut	
25	1	22110230/0	Lock	Cap	

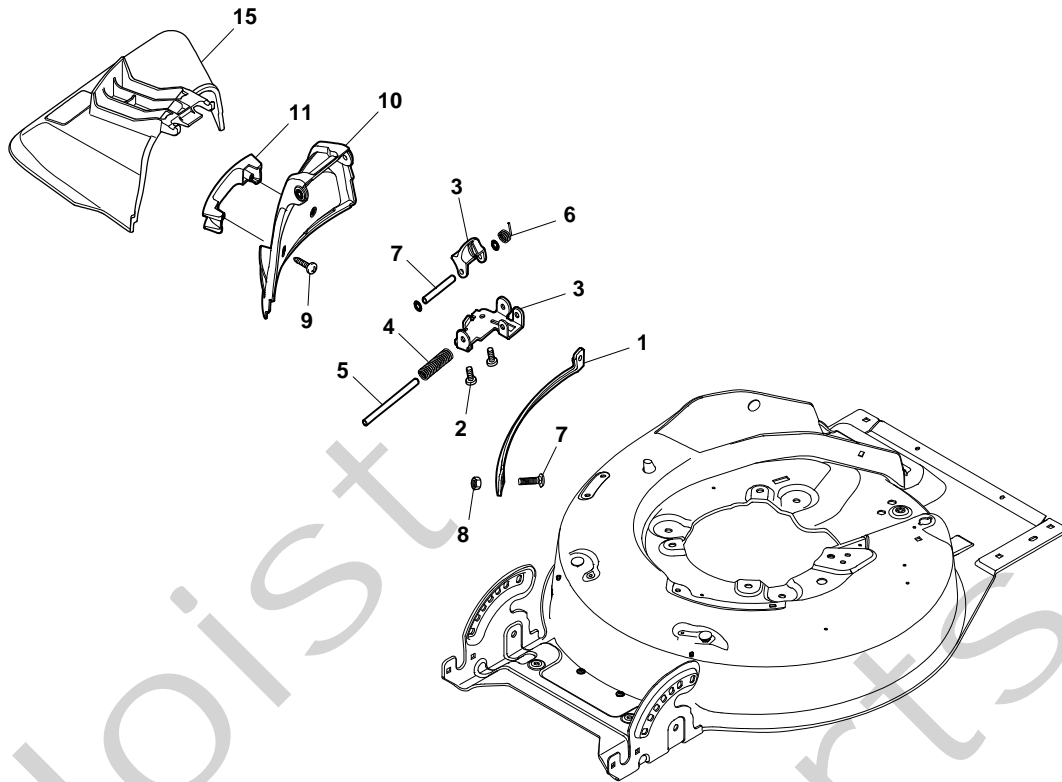


Pos. Fig.	Antal Quantity	Art No Part No	Benämning	Description	Anmärkning Notes
1	1	322170962/0	Hjulskydd	Protection	
2	2	22170835/0	Distans	Spacer	
3	1	122170836/0	Distans	Spacer	
4	1	322060232/0	Skydd	Protection	
5	1	381545329/0	Stöd	Support	
6	1	112727802/0	Skruv	Screw	
7	1	12154510/0	Mutter	Nut	
8	1	22671653/0	Bricka	Washer	
9	1	12540060/0	Bricka	Washer	
10	1	122534127/0	Pin	Pin	
11	1	122601922/0	Remskiva	Pulley, Crankshaft D.22.2	
11	1	122601923/0	Remskiva	Pulley, Crankshaft D.25	
12	1	118399051/0	Koppling kpl	Mechanical Clutch	
13	1	12735460/0	Skruv	Screw	
14	1	122446188/0	Fjäder	Spring	
15	1	112727801/0	Skruv	Screw	
16	1	122170846/0	Distans	Spacer	
17	1	12154510/0	Mutter	Nut	
18	1	181004368/0	Kniv	Blade	
19	2	12540060/0	Bricka	Washer	
20	2	12794110/0	Skruv	Screw	
21	1	12692050/0	Skruv	Screw	
22	1	12521350/0	Bricka	Washer	
23	2	12691700/0	Skruv	Screw	
24	3	12154210/0	Mutter	Nut	





Pos. Fig.	Antal Quantity	Art No Part No	Benämning	Description	Anmärkning Notes
1	1	322600180/0	Lucka	Stone-Guard	
2	2	12604899/0	Låsbricka	Crown Fastener	
3	1	122517863/0	Sprint	Pin	
4	1	122450455/0	Fjäder	Spring	
11	1	381486006/0	Uppsamlare-överdel	Grass-Box, Upper	
12	2	322545159/0	Plåt	Plate	
13	2	12728689/0	Skruv	Screw	
14	1	122608542/0	Trådbygel	Stiffening Lower	
15	2	12728689/0	Skruv	Screw	
16	2	12521320/0	Bricka	Washer	
17	2	325774220/0	Plåt	Plate	
18	1	181002298/0	Uppsamlingsäck	Box, Fabric	



Pos. Fig.	Antal Quantity	Art No Part No	Benämning	Description	Anmärkning Notes
1	1	322109553/0	Skydd	Guard	
2	2	112727803/0	Skruv	Screw	
3	1	322783010/0	Tryckring	Button	
4	1	122450456/0	Fjäder	Spring	
5	1	122517864/0	Sprint	Pin	
6	1	322783010/0	Tryckring	Button	
7	1	122517866/0	Sprint	Pin	
8	1	322806635/0	Vridpunkt	Fulcrum Pin	
9	2	112728706/0	Skruv	Screw	
10	1	322600181/0	Ejection Guard	Ejection Guard	
11	1	322393633/0	Handtag	Handle	
15	1	322108289/0	Ejection Guard	Ejection Guard	