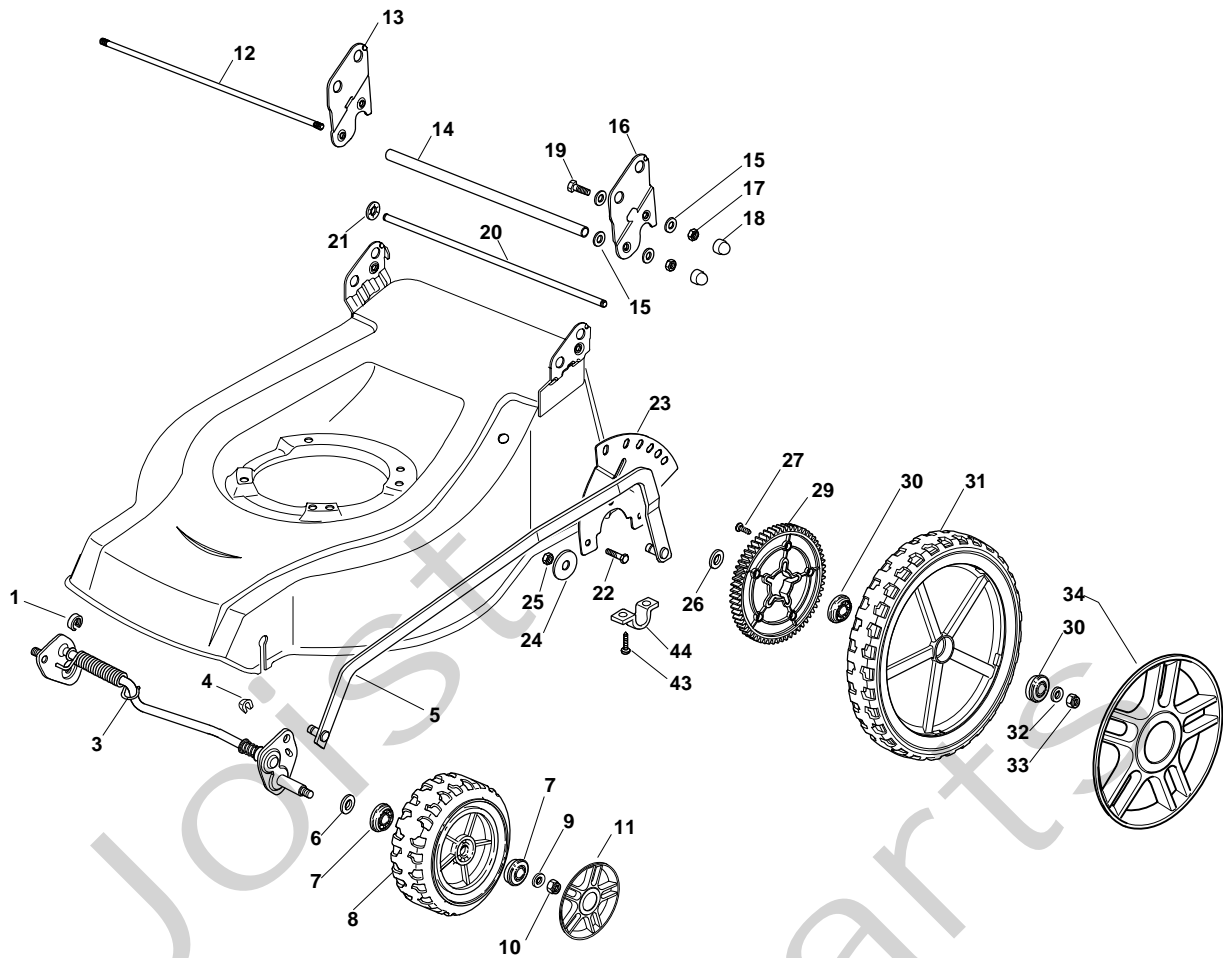


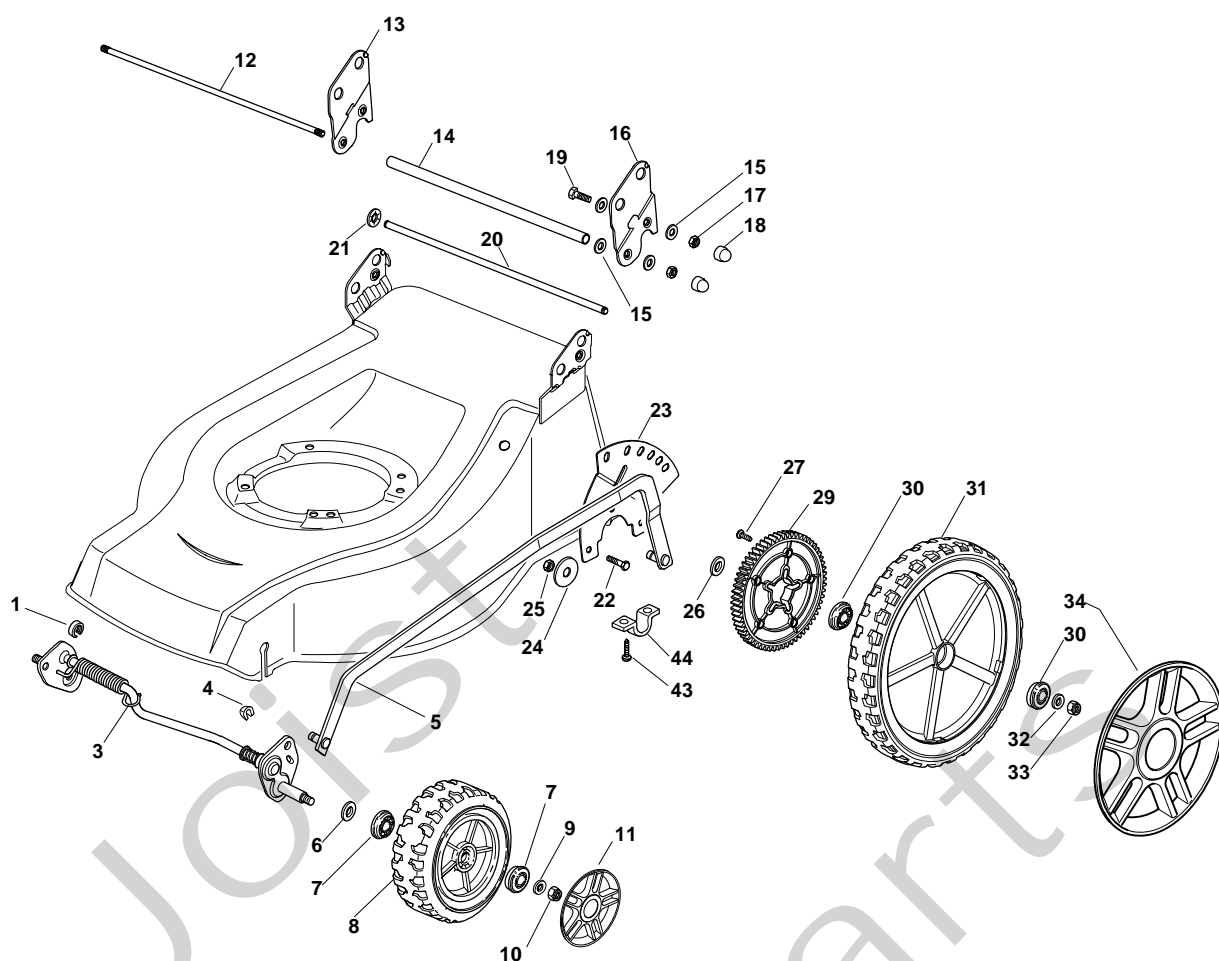
Genuine Spare Parts

**TURBO 53 4S BW
SILENT RENTAL**

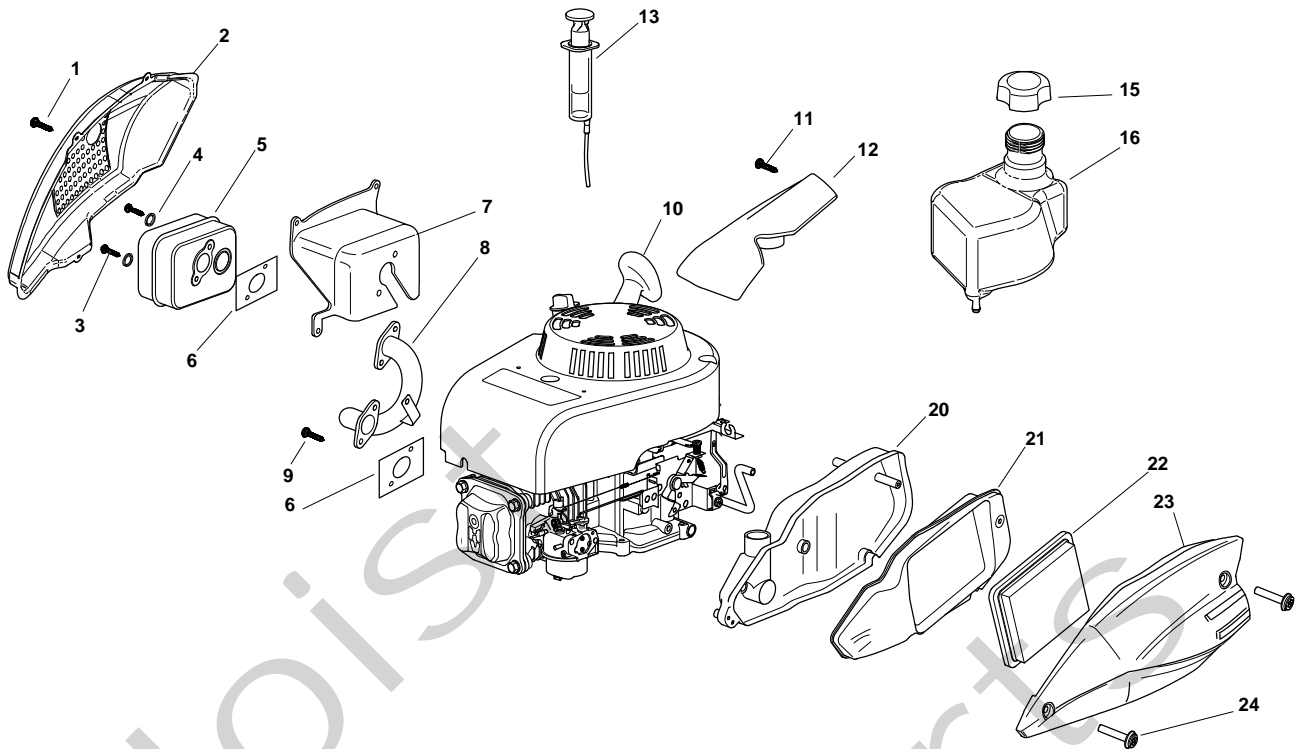




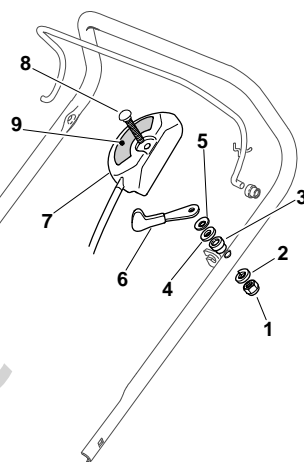
Pos. Fig.	Antal Quantity	Art No Part No	Benämning	Description	Anmärkning Notes
1	2	22171002/0	Distans	Spacer	
2	1	381002859/0	Hjulaxel	Axle, Front Wheels	
3	2	12436050/0	Låsplatta	Plate	
4	1	381002017/0	Höjdinställn.stång	Rod, Height Adjustment	
5	2	12530150/0	Bricka	Washer	
6	4	22122200/0	Kullager	Bearing	
7	2	81007343/0	Hjul	Wheel	
8	2	12521350/0	Bricka	Washer	
10	2	12155000/0	Mutter	Nut	
11	2	22110492/0	Navkapsel	Hub Cap Grey	
12	1	22517702/1	Pivotsång	Stone Guard Fulcrum	
13	1	22778427/0	Fäste-hö	Bracket, R	
14	1	22869717/0	Distansrör	Spacer	
15	8	22671653/0	Bricka	Washer	
16	1	22778429/0	Fäste-vå	Bracket, L	
17	4	12155000/0	Mutter	Nut	
18	4	18203854/0	Tätningshylsa	Protection	
19	2	12793301/0	Skruv	Screw	
20	1	22517860/0	Axel	Pin	
21	2	12604899/0	Låsbicka	Crown Fastener	
22	3	12792611/0	Skruv	Screw	
23	1	322735579/1	Höjdinställn.sektor	Sector, Height Adjustment	
24	3	12523060/0	Bricka	Washer	
25	3	12155000/0	Mutter	Nut	
26	2	22675100/0	Bricka	Washer	
27	6	12728691/0	Skruv	Screw	
29	2	22120110/0	Drev	Sprocket	
30	4	22122200/0	Kullager	Bearing	
31	2	81007380/0	Hjul	Wheel	
32	4	12521350/0	Bricka	Washer	
33	2	12155000/0	Mutter	Nut	



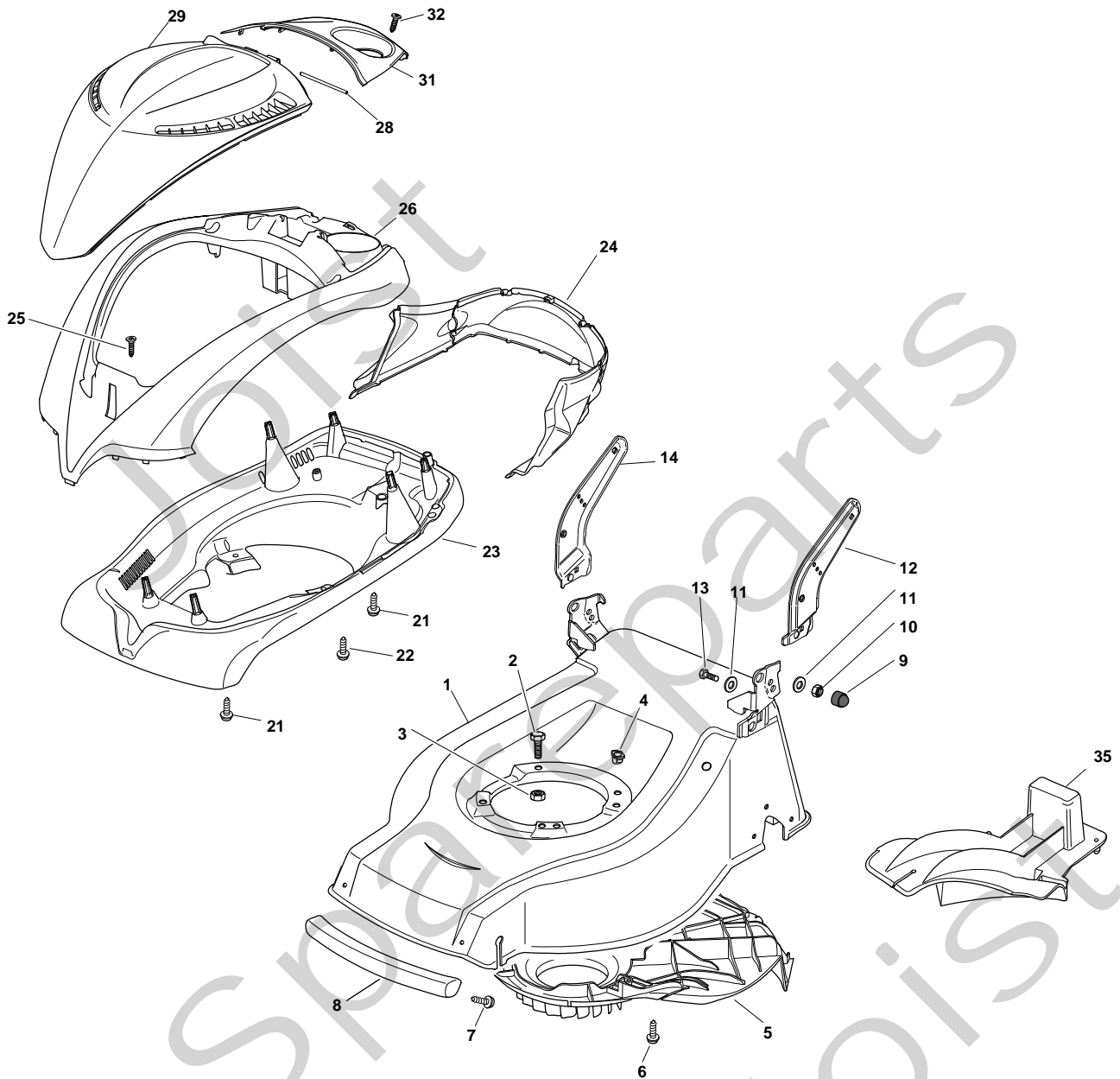
Pos. Fig.	Antal Quantity	Art No Part No	Benämning	Description	Anmärkning Notes
34	2	322110560/0	Navkapsel-grí	Hub Cap, Grey D.300	
43	4	12731350/0	Skruv	Screw	
44	2	22545152/0	Bygel	Plate	



Pos. Fig.	Antal Quantity	Art No Part No	Benämning	Description	Anmärkning Notes
1	3	12735111/0	Skruv	Screw	
2	1	322601007/0	Ljuddämparskydd	Muffler Protection	
3	2	112689590/0	Skruv	Screw	
4	2	12582100/0	Låsbricka	Washer	
5	1	118550269/0	Ljuddämpare	Muffler	
6	2	118550270/0	Packning	Muffler Gasket	
7	1	381750101/0	Skydd	Guard	
8	1	118738233/0	Avgasrör	Exhaust Tube	
9	3	12735599/0	Skruv	Screw	
10	1	118550410/0	Motor kpl	Engine	
11	2	12728700/0	Skruv	Screw	
12	1	322785269/0	Kåpa	Cover	
13	1	18718000/0	Oljepump	Syringe	
15	1	27790000/1	Lock	Cap	
16	1	322735150/0	Tank	Tank	
20	1	322785268/0	Luftfilterhus	Air Cleaner Base	
21	1	322785267/0	Kåpa	Cover	
22	1	118550257/0	Luftfilter	Air Filter	
23	1	322109744/0	Luftfilterlock	Air Cleaner Cover	
24	2	381004362/0	Skruv	Screw	



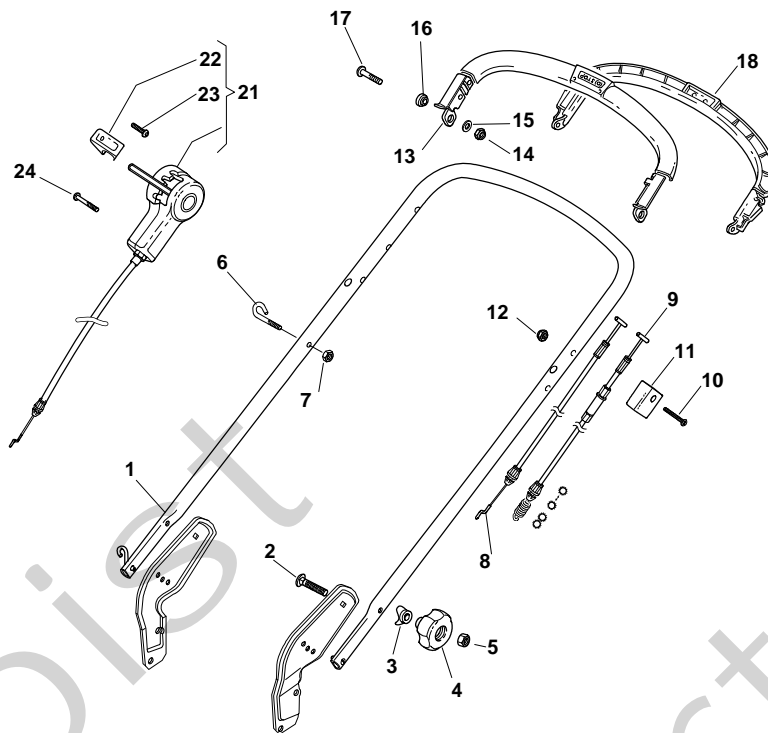
Pos. Fig.	Antal Quantity	Art No Part No	Benämning	Description	Anmärkning Notes
1	1	12291000/0	Mutter	Nut	
2	1	12581500/0	Låsbricka	Grower	
3	1	22171005/0	Distans	Spacer	
4	1	12521360/0	Bricka	Washer	
5	1	12508100/0	Låsbricka	Washer	
6	1	81007220/0	Gasarm	Lever, Throttle	(B&S 450-500 Series - Ggp 150 cc)
6	1	81007220/0	Gasarm	Lever, Throttle	
6	1	81007279/1	Gasarm	Lever, Throttle	(B&S 625-675-700 Series - Honda - Ggp 140-160-196 cc)
6	1	81007279/1	Gasarm	Lever, Throttle	
7	1	81007080/0	Gaswire	Cable, Throttle	
8	1	12815000/0	Skruv	Screw	
9	1	114356905/0	Dekal	Label	
9	1	114356905/0	Dekal	Label	(Honda GCV 160-190 Autochoke)
9	1	114356905/0	Dekal	Label	(B&S 700 series DOV)
9	1	114364264/0	Dekal	Label	
9	1	114364264/0	Dekal	Label	AVS (GGP 160-196)
9	1	14356702/0	Dekal	Label	(GGP)
9	1	14356702/0	Dekal	Label	(Honda)
9	1	14356702/0	Dekal	Label	
9	1	14356703/0	Dekal	Label	
9	1	14356703/0	Dekal	Label	(B&S)



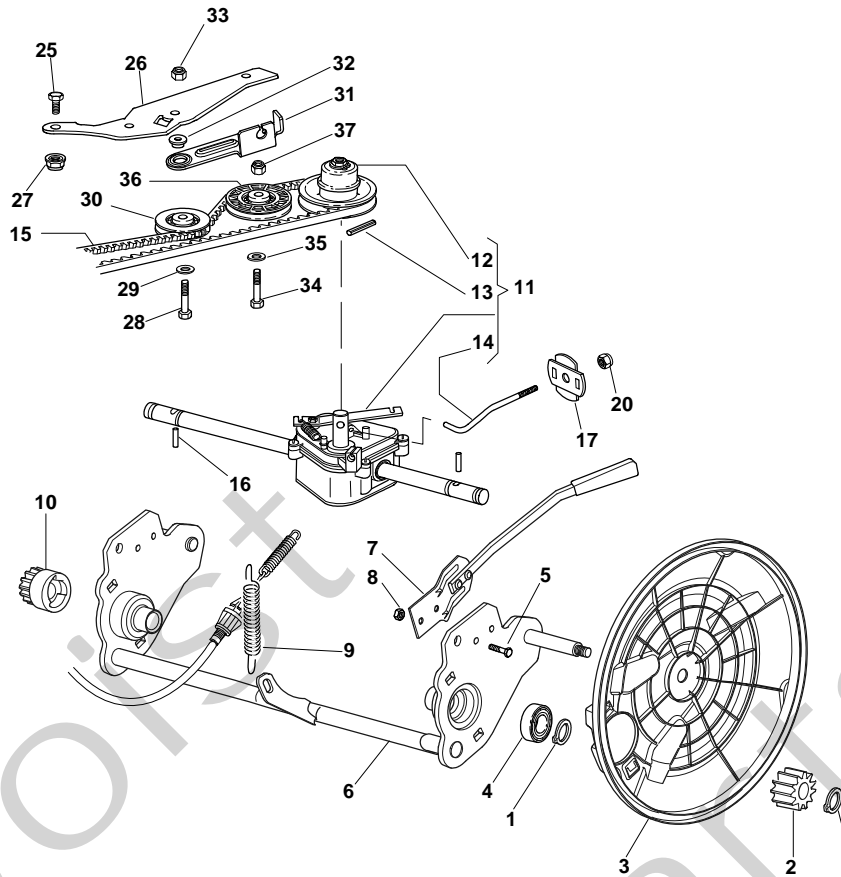


TURBO 53 4S BW SILENT RENTAL - Model Year 2009

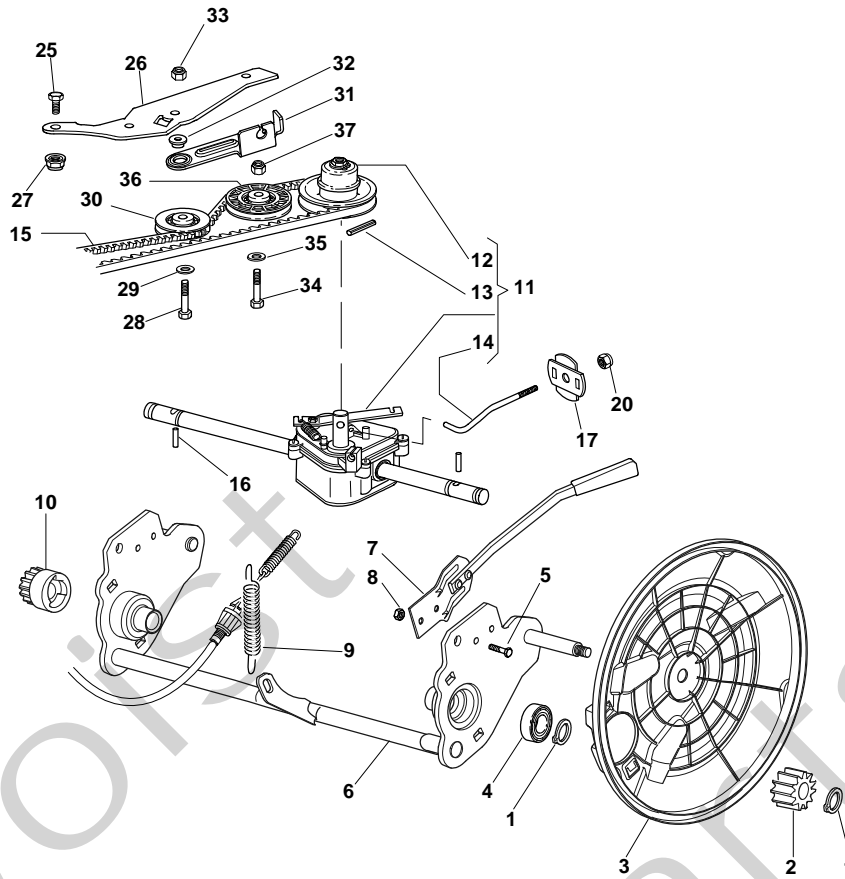
Pos. Fig.	Antal Quantity	Art No Part No	Benämning	Description	Anmärkning Notes
1	1	381003712/0	Chassi	Deck Grey	
2	3	12691100/0	Skruv	Screw	
3	3	12154510/0	Mutter	Nut	
4	1	22291150/0	Gummihylsa	Rubber Insert	
5	1	322060224/1	Skydd	Protection	
6	3	12728460/0	Skruv	Screw	
7	2	12735404/0	Skruv	Screw	
8	1	322485000/0	Skydd-grí	Grey Protection	
9	2	18203854/0	Tätningshylsa	Protection	
10	2	12155000/0	Mutter	Nut	
11	4	22671653/0	Bricka	Washer	
12	1	322778433/0	Fäste-vä	Bracket, L	
13	2	12793301/0	Skruv	Screw	
14	1	322778431/0	Fäste-hö	Bracket, R	
21	4	12728300/0	Skruv	Screw	
22	2	112728696/0	Skruv	Screw	
23	1	322109822/0	Kípa-undre	Cover, Lower Yellow	STIGA
23	1	322109822/0	Kípa-undre	Cover, Lower Yellow	
24	1	322109739/0	Kípa-bakre, grí	Rear Cover, Grey	
25	6	112728706/0	Skruv	Screw	
26	1	322109823/0	Kípa-övre	Cover, Upper Yellow	
26	1	322109823/0	Kípa-övre	Cover, Upper Yellow	STIGA
28	1	122517861/0	Sprint	Pin	
29	1	381119700/0	Kípa-övre	Cover, Upper Grey	
31	1	322109738/0	Kípa-grí	Cover, Grey	
32	2	112728696/0	Skruv	Screw	
35	1	322140234/0	Mulchplugg	Deflector	



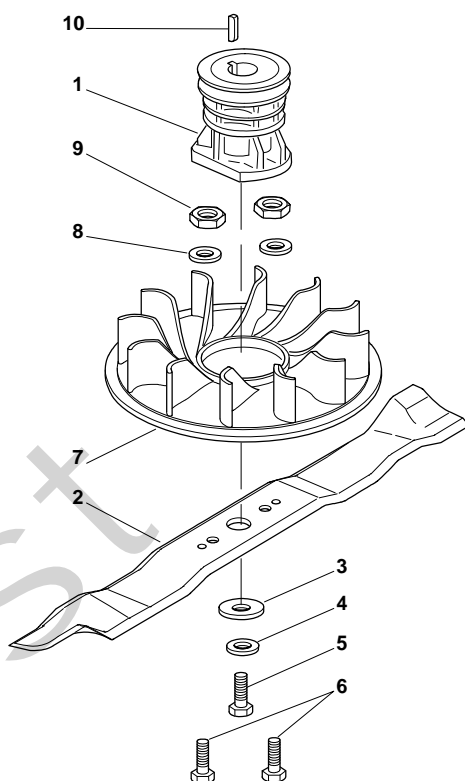
Pos. Fig.	Antal Quantity	Art No Part No	Benämning	Description	Anmärkning Notes
1	1	381006691/0	Styre-överdel	Handle, Upper Part	
2	2	12819120/0	Skruv	Screw	
3	2	22680006/1	Bricka	Washer	
4	2	322399804/1	Knopp	Knob	
5	2	12293200/0	Mutter	Nut	
6	1	22430313/0	Ögla	Guide Spring	
7	1	12154510/0	Mutter	Nut	
8	1	381030028/0	Motorbromswire	Cable, Thread Engine Brake	(Ggp 160cc)
8	1	381030028/0	Motorbromswire	Cable, Thread Engine Brake	
9	1	381030029/0	Kopplingswire	Cable, Rear Drive	
9	1	381030029/0	Kopplingswire	Cable, Rear Drive	(General Transmission)
10	2	12689500/0	Skruv	Screw	
11	1	22551640/0	Wirefäste	Plate	
12	1	12154510/0	Mutter	Nut	
13	1	381003330/0	Reglagebygel	Lever, Engine Brake	
14	2	12154510/0	Mutter	Nut	
15	2	12523010/0	Bricka	Washer	
16	2	22041960/0	Bussning	Bush	
17	2	122524328/0	Sprint	Pin	
18	1	81003297/1	Reglagebygel-drivning	Driving Lever	
21	1	81007110/0	Variatorreglage	Cable, Speed Drive Control	534 4S
21	1	81007110/0	Variatorreglage	Cable, Speed Drive Control	
22	1	22399809/0	Knopp	Knob	
23	1	12728300/0	Skruv	Screw	
24	2	12728702/0	Skruv	Screw	



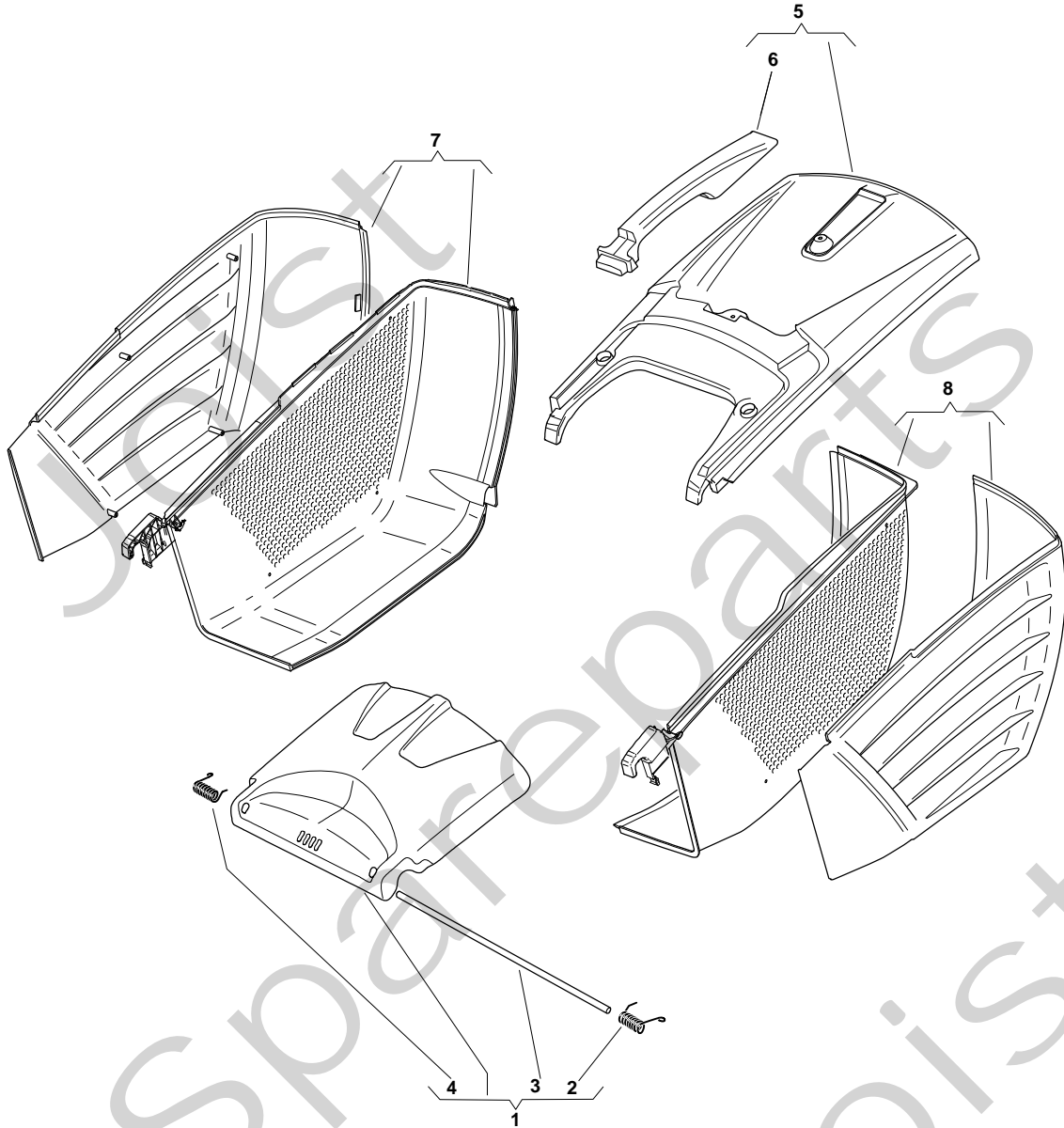
Pos. Fig.	Antal Quantity	Art No Part No	Benämning	Description	Anmärkning Notes
1	4	12608600/0	Låsring	Snap Ring	
2	1	22570110/1	Drev	Pinion R	
3	2	22600160/0	Hjulskydd	Protection, Wheel	
4	2	19216035/0	Lager	Bearing	
5	2	12789000/0	Skruv	Screw	
6	1	381002853/2	Hjulaxel	Axle, Rear Wheels	
7	1	381003326/0	Höjdställn.spak	Lever, Height Adjustment	
8	2	12154330/0	Mutter	Nut	
9	1	122450454/0	Fjäder	Spring	
10	1	22570120/1	Drev	Pinion L	
11	1	181003102/0	Transmission	Gear Box	
11	1	181003102/0	Transmission	Gear Box	(General Transmission)
12	1	122601925/0	Remskiva	Pulley	
13	1	12645700/0	Stift	Pin	
14	1	122033287/0	Höjdställn.stång	Adjustment Rod	
14	1	122033287/0	Höjdställn.stång	Adjustment Rod	(General Transmission)
15	1	35064005/0	Drivrem	Belt Spzx 750	484
15	1	35064010/0	Drivrem	Belt	534
15	1	35064010/0	Drivrem	Belt	534
16	2	22753000/0	Stift	Pin	
17	2	22675113/0	Bricka	Washer	
20	1	12154510/0	Mutter	Nut	
25	1	12791011/0	Skruv	Screw	
26	1	22806625/0	Arm	Support	
27	1	12292102/0	Mutter	Nut	
28	1	12689500/0	Skruv	Screw	
29	1	12523050/0	Bricka	Washer	
30	1	22601915/0	Spännrulle	Pulley	
31	1	22806623/0	Fäste	Support	
32	1	22671656/0	Distans	Washer	
33	1	12154510/0	Mutter	Nut	



Pos. Fig.	Antal Quantity	Art No Part No	Benämning	Description	Anmärkning Notes
34	1	12674700/0	Skruv	Screw	
35	1	12523050/0	Bricka	Washer	
36	1	22601914/0	Spännrulle	Pulley	
37	1	12154510/0	Mutter	Nut	



Pos. Fig.	Antal Quantity	Art No Part No	Benämning	Description	Anmärkning Notes
1	1	22465607/2	Knivfäste	Hub With Pulley	
2	1	181004394/0	Kniv	Blade	
3	1	22160400/0	Bricka	Elastic Washer	
4	1	12523080/0	Bricka	Washer	
5	1	12735698/0	Skruv	Screw	
6	2	12791400/0	Skruv	Screw	
7	1	322465634/0	Fläkt	Hub Fan	
8	2	12521330/0	Bricka	Washer	
9	2	12154510/0	Mutter	Nut	
10	1	12139100/0	Kil	Key	





TURBO 53 4S BW SILENT RENTAL - Model Year 2009

Pos. Fig.	Antal Quantity	Art No Part No	Benämning	Description	Anmärkning Notes
1	1	381008072/0	Lucka	Stone-Guard, Grey	
2	1	122450451/0	Fjäder-vä	L Spring	
3	1	122517862/0	Pivotaxel	Pin	
4	1	122450450/0	Fjäder-hö	R Spring	
5	1	381486000/0	Uppsamlare-överdel	Grass-Box, Upper Part Grey	
6	1	322393623/0	Handtag, grå	Handle, Grey	
6	1	322393630/0	Handtag, svart	Handle, Black	
7	1	381486002/0	Uppsaml-underdel, hö	Right, Grassbox Lower Part - Grey	
8	1	381486004/0	Uppsaml-underdel, vä	Left, Grassbox Lower Part - Grey	