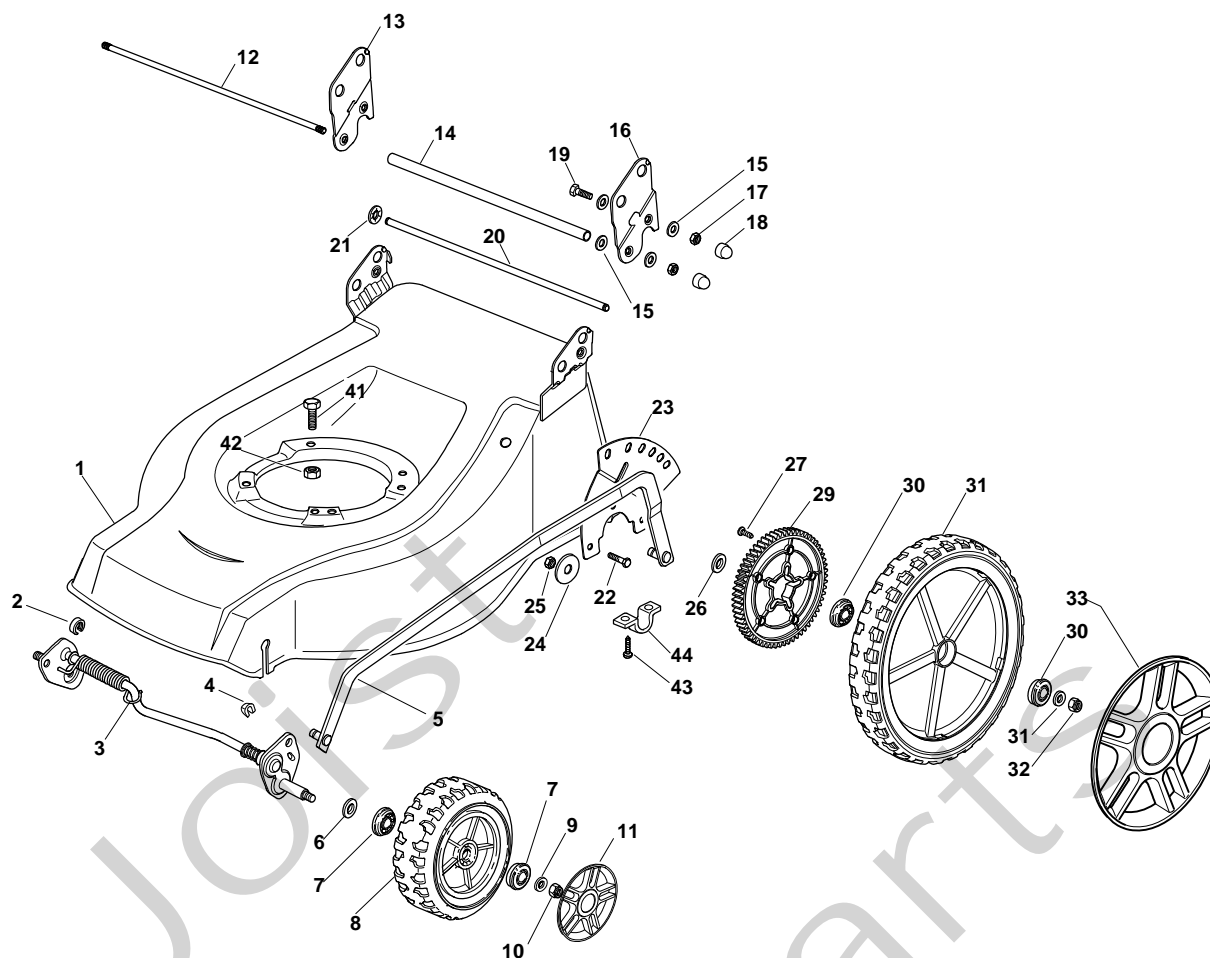


# **Genuine Spare Parts**

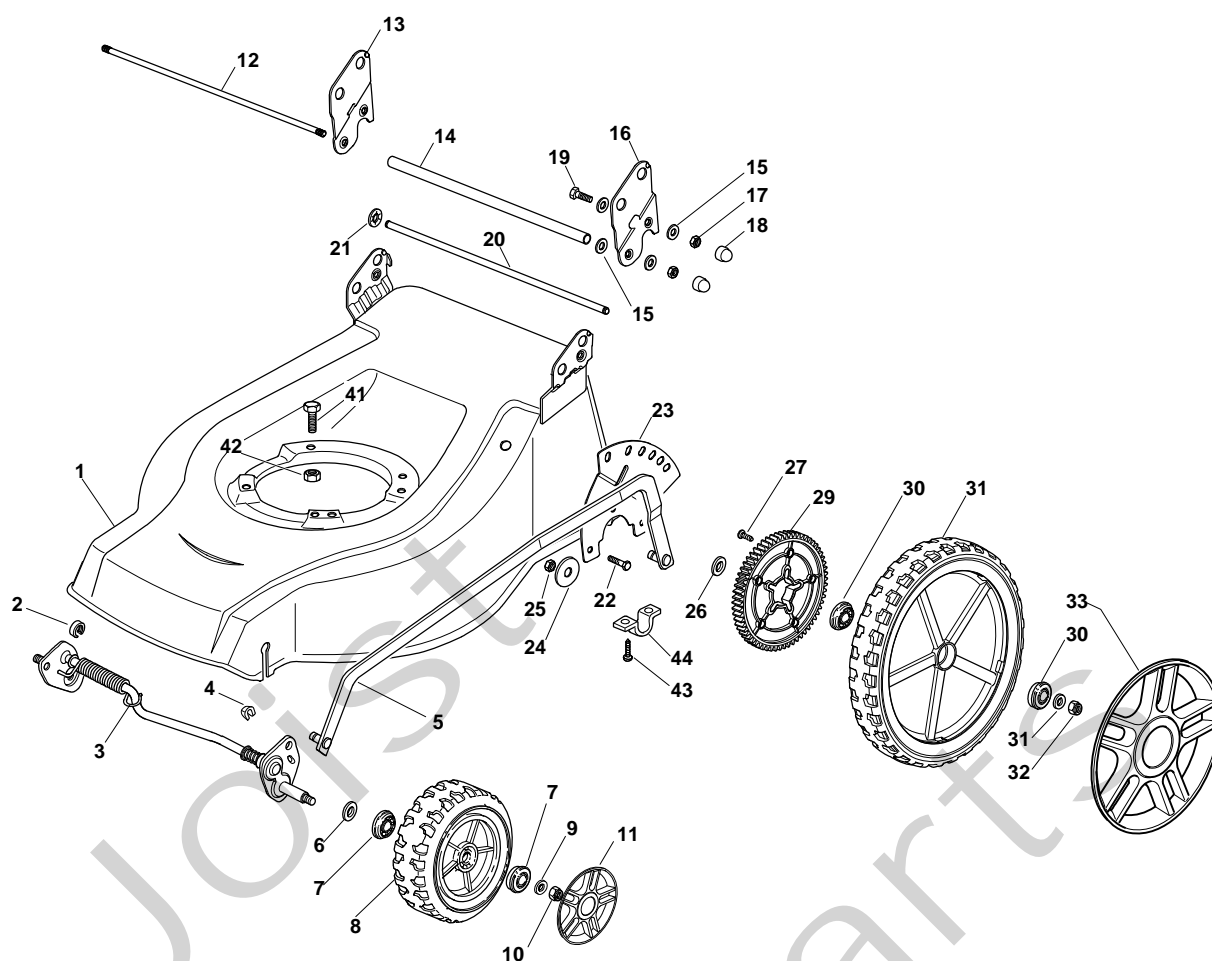
---

**TURBO 53 4S BW  
INOX RENTAL**

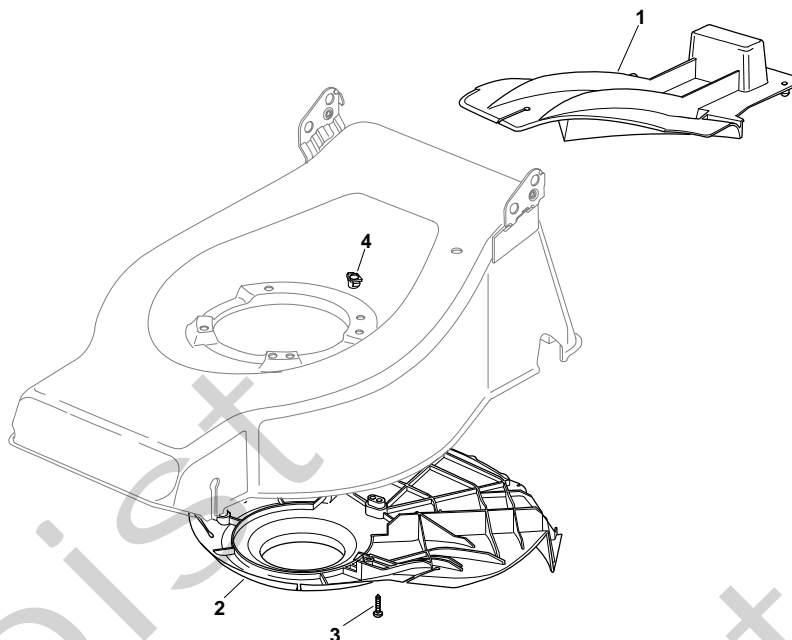


**TURBO 53 4S BW INOX RENTAL - Model Year 2009**


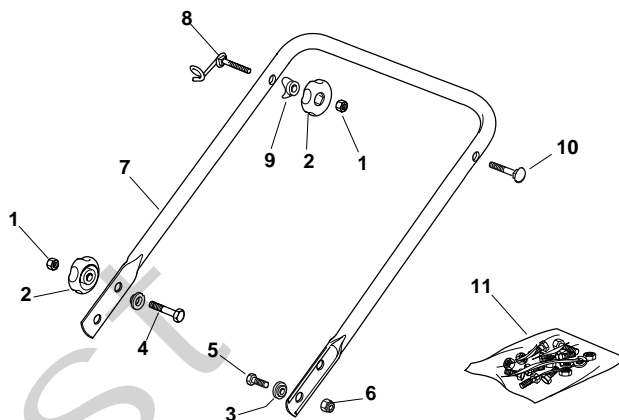
Pos. Fig.	Antal Quantity	Art No Part No	Benämning	Description	Anmärkning Notes
1	1	381003618/1	Chassi	Deck INOX	534
1	1	381003618/1	Chassi	Deck INOX	
2	2	22171002/0	Distans	Spacer	
3	1	381002859/0	Hjulaxel	Axle, Front Wheels	534
3	1	381002859/0	Hjulaxel	Axle, Front Wheels	
4	2	12436050/0	Lísplatta	Plate	
5	1	381002017/0	Höjdiställn.stång	Rod, Height Adjustment	
5	1	381002017/0	Höjdiställn.stång	Rod, Height Adjustment	534
6	2	12530150/0	Bricka	Washer	
7	4	22122200/0	Kullager	Bearing	
8	2	81007343/0	Hjul	Wheel	
9	2	12521350/0	Bricka	Washer	
10	2	12155000/0	Mutter	Nut	
11	2	22110492/0	Navkapsel	Hub Cap Grey	
12	1	22517702/1	Pivotstång	Stone Guard Fulcrum	
13	1	22778427/0	Fäste-hö	Bracket, R	
14	1	22869717/0	Distansrör	Spacer	
15	8	22671653/0	Bricka	Washer	
16	1	22778429/0	Fäste-vä	Bracket, L	
17	4	12155000/0	Mutter	Nut	
18	4	18203854/0	Tätningshylsa	Protection	
19	2	12793301/0	Skruv	Screw	
20	1	22517860/0	Axel	Pin	
21	2	12604899/0	Lísbricka	Crown Fastener	
22	3	12792611/0	Skruv	Screw	
23	1	322735579/1	Höjdiställn.sektor	Sector, Height Adjustment	
24	3	12523060/0	Bricka	Washer	
25	3	12155000/0	Mutter	Nut	
26	2	22675100/0	Bricka	Washer	
27	6	12728691/0	Skruv	Screw	
28	2	22120110/0	Drev	Sprocket	

**TURBO 53 4S BW INOX RENTAL - Model Year 2009**


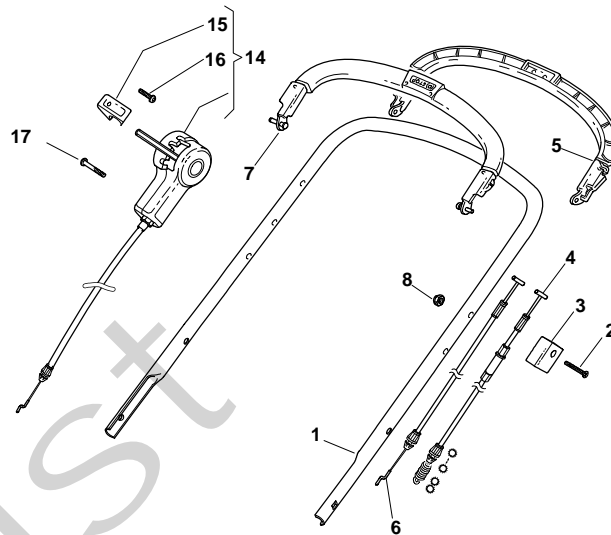
Pos. Fig.	Antal Quantity	Art No Part No	Benämning	Description	Anmärkning Notes
29	4	22122200/0	Kullager	Bearing	
30	2	81007380/0	Hjul	Wheel	
31	4	12521350/0	Bricka	Washer	
32	2	12155000/0	Mutter	Nut	
33	2	322110560/0	Navkapsel-grå	Hub Cap, Grey D.300	
41	1	12691800/0	Skruv	Screw	
41	3	12793701/0	Skruv	Screw	
42	1	12155000/0	Mutter	Nut	
42	3	12293201/0	Mutter	Nut	
43	4	12731350/0	Skruv	Screw	
44	2	22545152/0	Bygel	Plate	



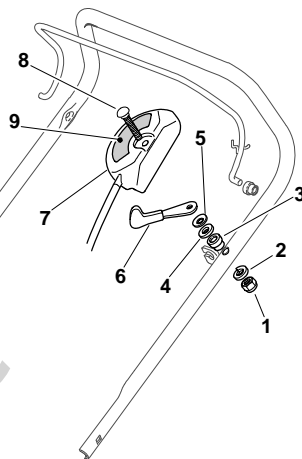
Pos. Fig.	Antal Quantity	Art No Part No	Benämning	Description	Anmärkning Notes
1	1	22140222/0	Mulchplugg	Deflector	
1	1	22140222/0	Mulchplugg	Deflector	534
2	1	322060197/2	Skydd	Protection	
2	1	322060197/2	Skydd	Protection	534
3	3	12728530/0	Skruv	Screw	
4	1	22291150/0	Gummihylsa	Rubber Insert	



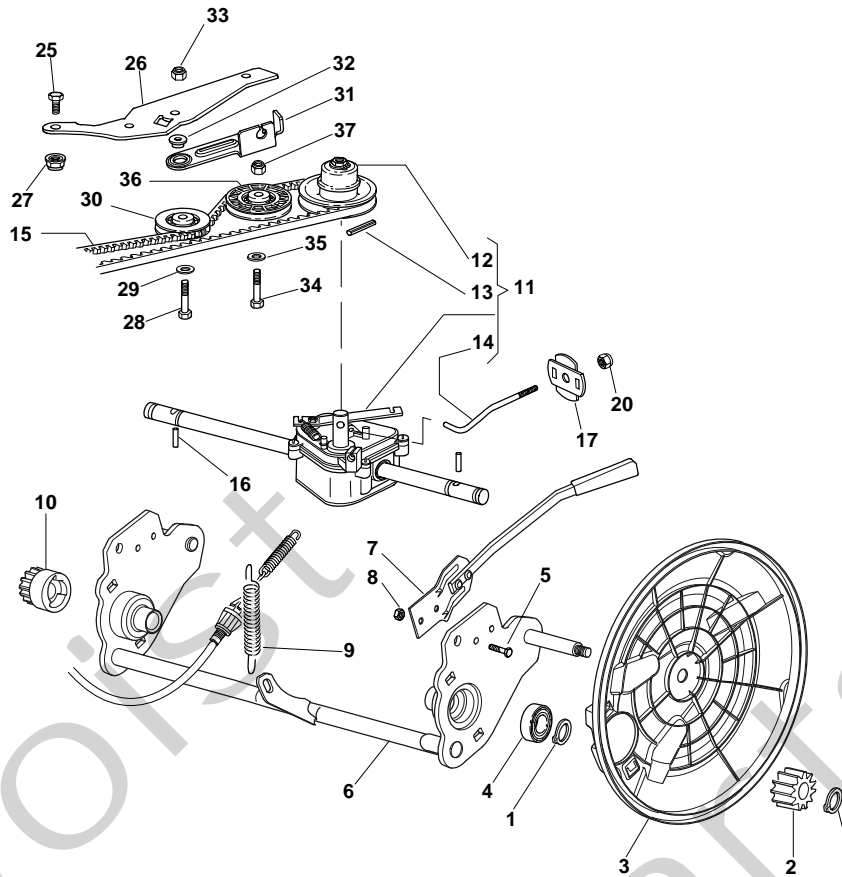
Pos. Fig.	Antal Quantity	Art No Part No	Benämning	Description	Anmärkning Notes
1	4	12293200/0	Mutter	Nut	
2	4	322399804/1	Knopp	Knob	
3	4	22041955/0	Bussning	Bush	
4	2	12793700/0	Skruv	Screw	
5	2	12792610/0	Skruv	Screw	
6	2	12155000/0	Mutter	Nut	
7	1	81006512/0	Styre-underdel	Handle, Lower Part	
7	1	81006521/0	Styre-underdel	Handle, Lower Part	
8	1	81003801/1	Snörhållare	Guide Spring	
9	2	22680006/1	Bricka	Washer	
10	1	12819201/0	Skruv	Screw	
11	1	81008614/3	Skruvsats	Outfit, Screws	



Pos. Fig.	Antal Quantity	Art No Part No	Benämning	Description	Anmärkning Notes
1	1	81006979/2	Styre-överdel	Handle, Upper Part	
2	1	12689500/0	Skruv	Screw	
3	1	22551640/0	Wirefäste	Plate	
4	1	381000709/2	Kopplingswire	Cable, Rear Drive	
5	1	81003297/1	Reglagebygel-drivning	Driving Lever	
6	1	81000657/0	Motorbromswire	Cable, Thread Eng.Brake	
6	1	81000657/0	Motorbromswire	Cable, Thread Eng.Brake	534 W TR (Ggp 196cc)
6	1	81000754/0	Motorbromswire	Cable, Thread Engine Brake	534 W TR (B&S 625-675 Series)
6	1	81000754/0	Motorbromswire	Cable, Thread Engine Brake	
7	1	81003298/1	Reglagebygel	Lever, Engine Brake	
8	1	12154510/0	Mutter	Nut	
14	1	81007110/0	Variatorreglage	Cable, Speed Drive Control	
14	1	81007110/0	Variatorreglage	Cable, Speed Drive Control	534 4S
15	1	22399809/0	Knopp	Knob	
16	1	12728300/0	Skruv	Screw	
17	2	12728702/0	Skruv	Screw	

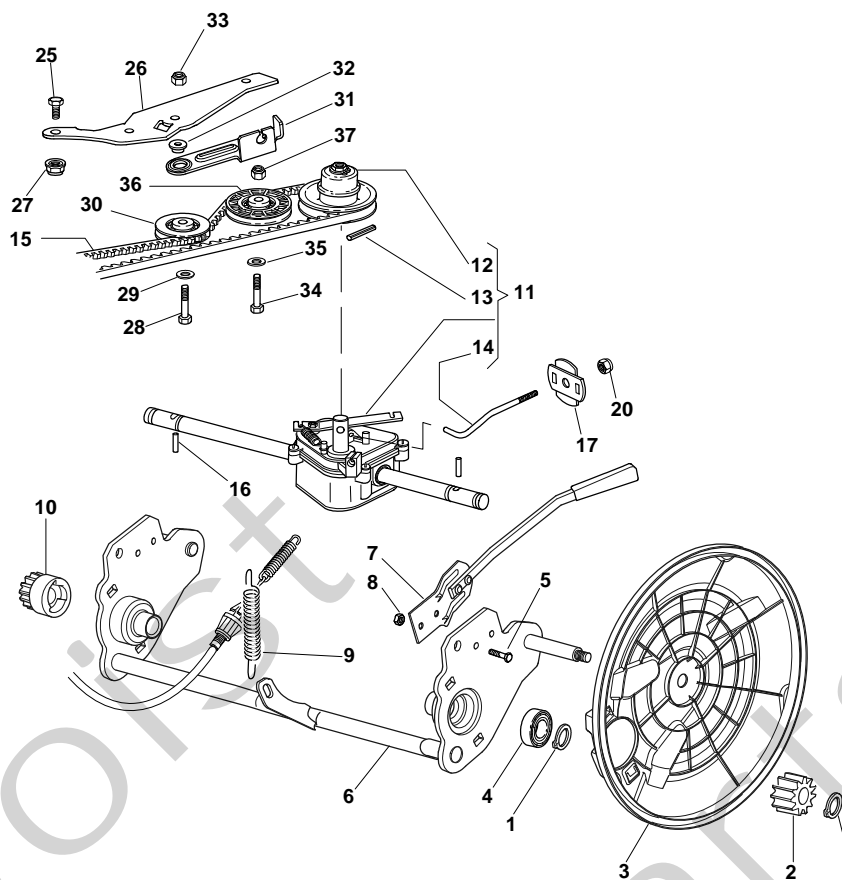


Pos. Fig.	Antal Quantity	Art No Part No	Benämning	Description	Anmärkning Notes
1	1	12291000/0	Mutter	Nut	
2	1	12581500/0	Låsbricka	Grower	
3	1	22171005/0	Distans	Spacer	
4	1	12521360/0	Bricka	Washer	
5	1	12508100/0	Låsbricka	Washer	
6	1	81007220/0	Gasarm	Lever, Throttle	(B&S 450-500 Series - Ggp 150 cc)
6	1	81007220/0	Gasarm	Lever, Throttle	
6	1	81007279/1	Gasarm	Lever, Throttle	(B&S 625-675-700 Series - Honda - Ggp 140-160-196 cc)
6	1	81007279/1	Gasarm	Lever, Throttle	
7	1	81007080/0	Gaswire	Cable, Trottle	
8	1	12815000/0	Skruv	Screw	
9	1	114356905/0	Dekal	Label	
9	1	114356905/0	Dekal	Label	(Honda GCV 160-190 Autochoke)
9	1	114356905/0	Dekal	Label	(B&S 700 series DOV)
9	1	114364264/0	Dekal	Label	
9	1	114364264/0	Dekal	Label	AVS (GGP 160-196)
9	1	14356702/0	Dekal	Label	(GGP)
9	1	14356702/0	Dekal	Label	(Honda)
9	1	14356702/0	Dekal	Label	
9	1	14356703/0	Dekal	Label	
9	1	14356703/0	Dekal	Label	(B&S)

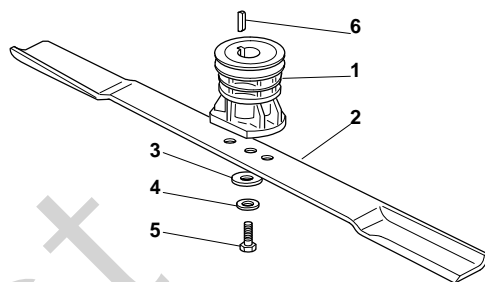


Pos. Fig.	Antal Quantity	Art No Part No	Benämning	Description	Anmärkning Notes
1	4	12608600/0	Låsring	Snap Ring	
2	1	22570110/1	Drev	Pinion R	
3	2	22600160/0	Hjulskydd	Protection, Wheel	
4	2	19216035/0	Lager	Bearing	
5	2	12789000/0	Skruv	Screw	
6	1	381002853/2	Hjulaxel	Axle, Rear Wheels	
7	1	381003326/0	Höjdställn.spak	Lever, Height Adjustment	
8	2	12154330/0	Mutter	Nut	
9	1	122450454/0	Fjäder	Spring	
10	1	22570120/1	Drev	Pinion L	
11	1	181003102/0	Transmission	Gear Box	(General Transmission)
11	1	181003102/0	Transmission	Gear Box	
12	1	122601925/0	Remskiva	Pulley	
13	1	12645700/0	Stift	Pin	
14	1	122033287/0	Höjdställn.stång	Adjustment Rod	
14	1	122033287/0	Höjdställn.stång	Adjustment Rod	(General Transmission)
15	1	35064010/0	Drivrem	Belt	534
15	1	35064010/0	Drivrem	Belt	
16	2	22753000/0	Stift	Pin	
17	2	22675113/0	Bricka	Washer	
20	1	12154510/0	Mutter	Nut	
25	1	12791011/0	Skruv	Screw	
26	1	22806625/0	Arm	Support	
27	1	12292102/0	Mutter	Nut	
28	1	12689500/0	Skruv	Screw	
29	1	12523050/0	Bricka	Washer	
30	1	22601915/0	Spännrulle	Pulley	
31	1	22806623/0	Fäste	Support	
32	1	22671656/0	Distans	Washer	
33	1	12154510/0	Mutter	Nut	
34	1	12674700/0	Skruv	Screw	

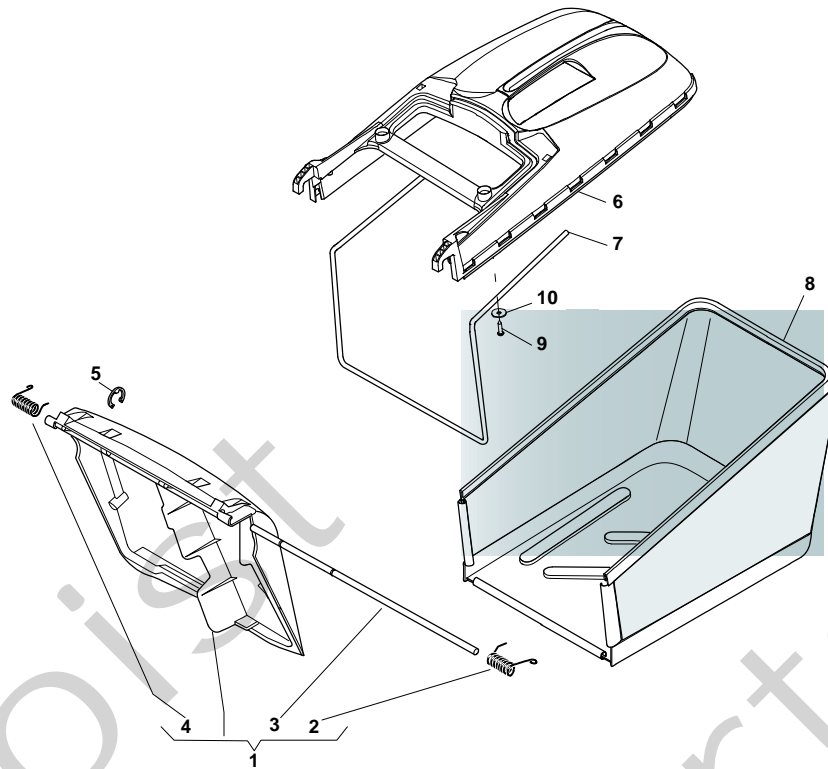




Pos. Fig.	Antal Quantity	Art No Part No	Benämning	Description	Anmärkning Notes
35	1	12523050/0	Bricka	Washer	
36	1	22601914/0	Spännrulle	Pulley	
37	1	12154510/0	Mutter	Nut	



Pos. Fig.	Antal Quantity	Art No Part No	Benämning	Description	Anmärkning Notes
1	1	22465607/2	Knivfäste	Hub With Pulley	
2	1	81004381/1	Kniv	Blade Standard	
2	1	81004381/1	Kniv	Blade Standard	534
2	1	81004383/0	Kniv	Blade, Avs	
2	1	81004398/0	Kniv	Blade Standard	534
2	1	81004398/0	Kniv	Blade Standard	
3	1	22160400/0	Bricka	Elastic Washer	
4	1	12523080/0	Bricka	Washer	
5	1	12735698/0	Skruv	Screw	
6	1	12139100/0	Kil	Key	



Pos. Fig.	Antal Quantity	Art No Part No	Benämning	Description	Anmärkning Notes
1	1	381008021/1	Lucka	Stone-Guard	
2	1	22450420/1	Fjäder-vä	L Spring	
3	1	22517906/1	Axel	Pin	
4	1	22450410/1	Fjäder-hö	R Spring	
5	1	12000930/0	Låsring	Snap Ring	
6	1	22486101/0	Uppsamlare-överdel	Grass-Box, Upper	
7	1	22608525/0	Trådbygel	Stiffening Lower	
8	1	81002211/0	Uppsamlingsäck	Box, Fabric	
9	2	12728680/0	Skruv	Screw	
10	2	12523050/0	Bricka	Washer	