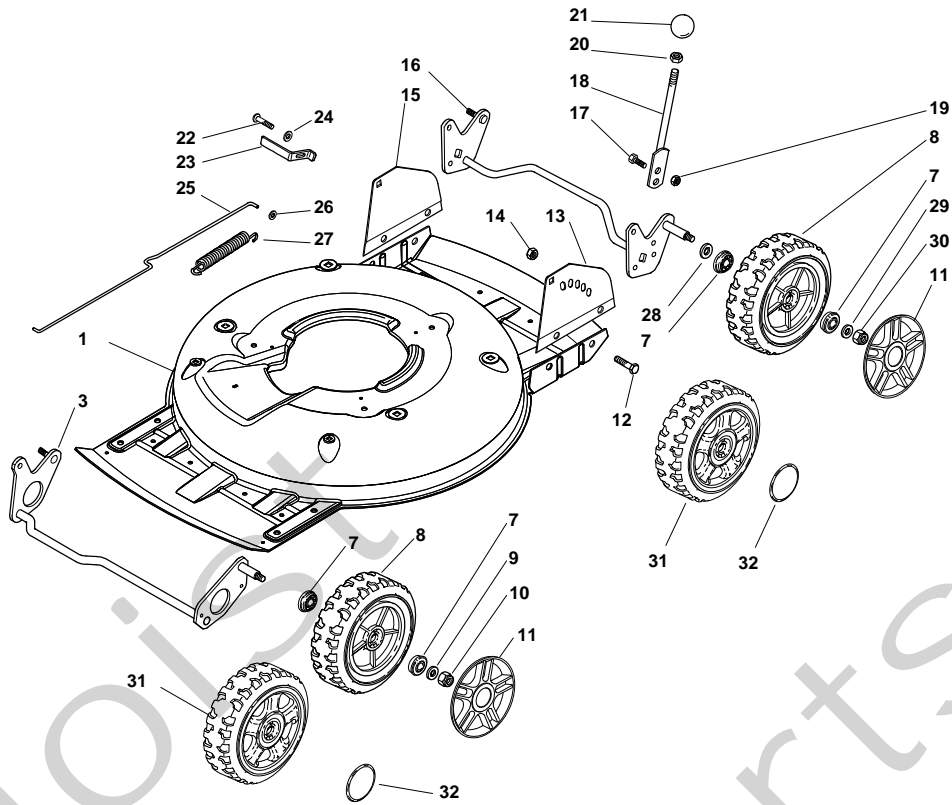


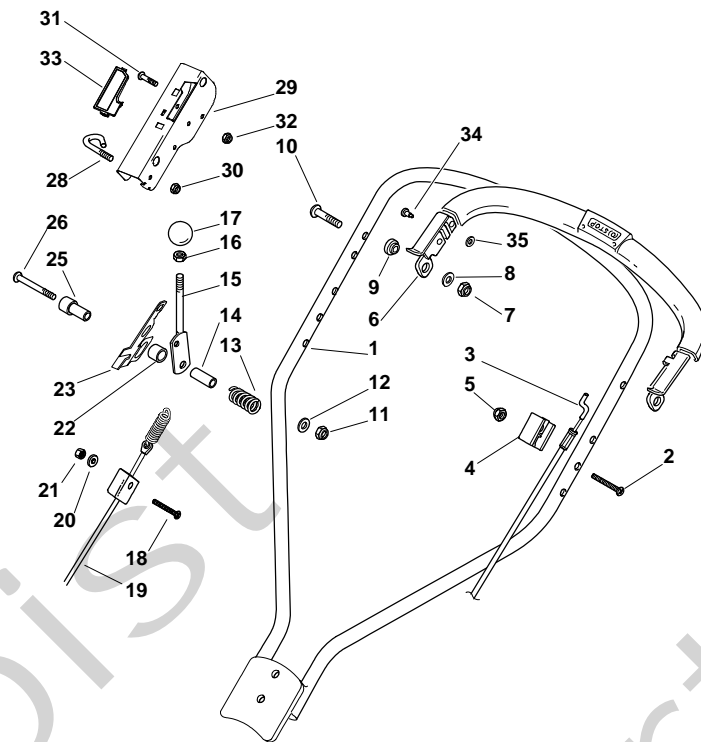
Genuine Spare Parts

**MULTICLIP 50 S
SILENT PLUS**

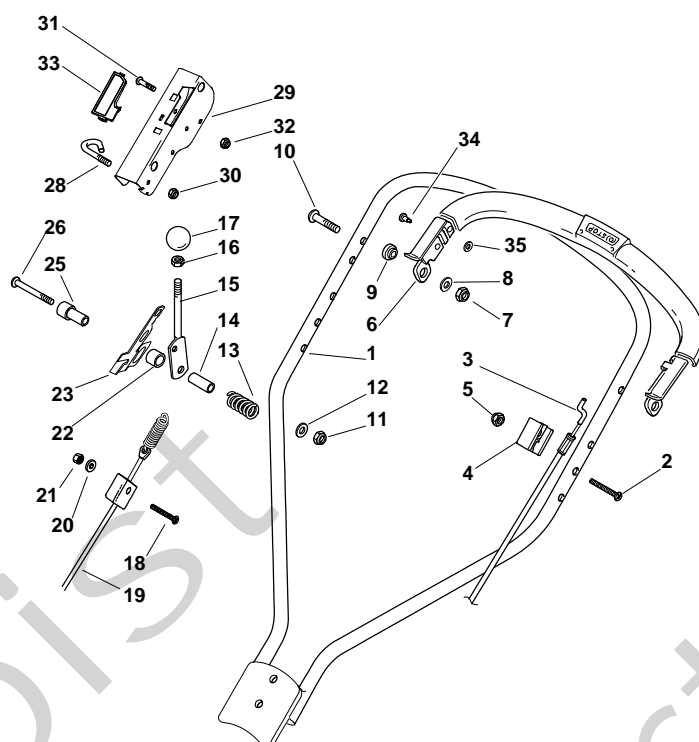


MULTICLIP 50 S SILENT PLUS - Model Year 2009


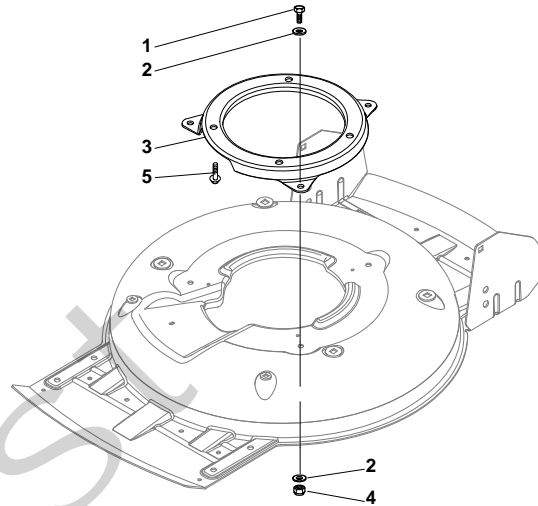
Pos. Fig.	Antal Quantity	Art No Part No	Benämning	Description	Anmärkning Notes
1	1	81002909/1	Chassi	Deck Grey	
3	1	81002849/0	Hjulaxel	Axle, Front Wheels	
7	8	22122200/0	Kullager	Bearing	
8	4	81007343/0	Hjul	Wheel	
9	2	12369500/0	Bricka	Washer	
10	2	12155000/0	Mutter	Nut	
11	4	22110492/0	Navkapsel	Hub Cap Grey	
12	4	12791011/0	Skruv	Screw	
13	1	81545105/0	Platta-vä	Left Plate	
14	4	12154510/0	Mutter	Nut	
15	1	81545104/0	Platta-hö	Right Plate	
16	1	81002851/0	Hjulaxel	Axle, Rear Wheels	
17	2	12789000/0	Skruv	Screw	
18	1	81003323/0	Höjdställn.spak	Lever, Height Adjustment	
19	2	12154330/0	Mutter	Nut	
20	1	12293200/0	Mutter	Nut	
21	1	22399812/0	Knopp	Knob	
22	2	12735661/0	Skruv	Screw	
23	2	22551529/0	Hjulrensare	Plate	
24	2	12521330/0	Bricka	Washer	
25	1	22033329/0	Höjdställn.stång	Rod, Height Adjustment Control	
26	2	12604899/0	Låsbricka	Crown Fastener	
27	1	22446184/0	Fjäder	Spring	
28	2	12530150/0	Bricka	Washer	
29	2	12521350/0	Bricka	Washer	
30	2	12155000/0	Mutter	Nut	
31	4	81007382/0	Hjul	Wheel	
32	4	22110419/0	Navkapsel-svart	Hub Cap	



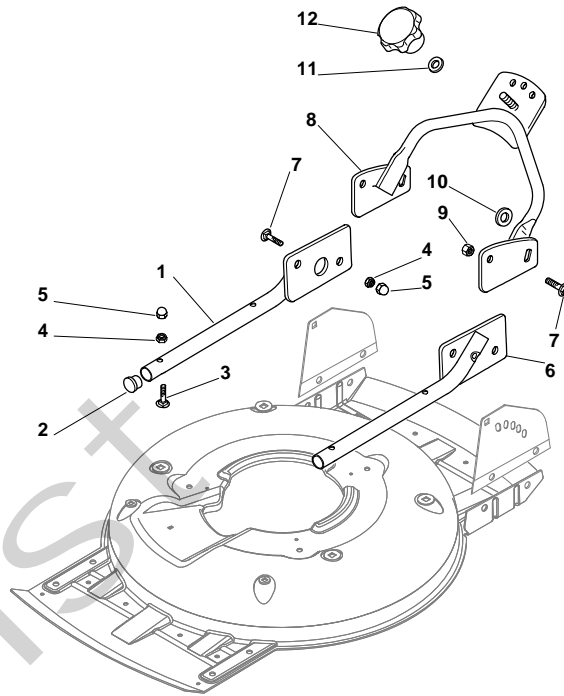
Pos. Fig.	Antal Quantity	Art No Part No	Benämning	Description	Anmärkning Notes
1	1	81006363/1	Styre-överdel	Handle, Upper Part Yellow	Yellow
1	1	81006363/1	Styre-överdel	Handle, Upper Part Yellow	
2	1	12727783/0	Skruv	Screw	
3	1	181000618/0	Motorbromswire	Cable, Thread Engine Brake	(Ggp 160cc)
3	1	181000618/0	Motorbromswire	Cable, Thread Engine Brake	
3	1	181000618/0	Motorbromswire	Cable, Thread Engine Brake	(B&S 625-675 Series)
3	1	181000618/0	Motorbromswire	Cable, Thread Engine Brake	(Ggp 140cc)
3	1	181000769/1	Motorbromswire	Cable, Thread Engine Brake	(B&S 450-500 Series)
3	1	181000769/1	Motorbromswire	Cable, Thread Engine Brake	TR 4S (Honda Gcv 135-160-190)
3	1	181000769/1	Motorbromswire	Cable, Thread Engine Brake	
3	1	81000733/0	Motorbromswire	Cable, Thread Motor Brake	(Honda Gcv 135-160-190)
3	1	81000733/0	Motorbromswire	Cable, Thread Motor Brake	
4	1	22551640/0	Wirefäste	Plate	
5	1	12154510/0	Mutter	Nut	
6	1	81003318/1	Reglagebygel	Lever, Engine Brake	
7	2	12154510/0	Mutter	Nut	
8	2	12521330/0	Bricka	Washer	
9	2	22671660/1	Bricka	Washer	
10	2	12727784/0	Skruv	Screw	
11	1	12292100/0	Mutter	Nut	
12	1	12530060/0	Bricka	Elastic Washer	
13	1	22450446/0	Fjäder	Spring	
14	1	22170840/0	Distans	Spacer	
15	1	81003313/0	Spak	Lever, Driving	
16	1	12293200/0	Mutter	Nut	
17	1	22399812/0	Knopp	Knob	
18	1	12727791/0	Skruv	Screw	
19	1	381000745/1	Kopplingswire	Cable, Rear Drive	
20	1	12521330/0	Bricka	Washer	
21	1	12154510/0	Mutter	Nut	
22	1	22170843/0	Distans	Spacer	



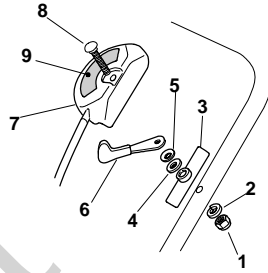
Pos. Fig.	Antal Quantity	Art No Part No	Benämning	Description	Anmärkning Notes
23	1	22551653/0	Platta	Plate	
25	1	22170842/0	Distans	Spacer	
26	1	12727786/0	Skruv	Screw	
28	1	22430314/0	Öglebult	Spring	
29	1	81004405/0	Panel	Dash Board	
30	1	12154510/0	Mutter	Nut	
31	1	12727792/0	Skruv	Screw	
32	1	12154510/0	Mutter	Nut	
33	1	22500050/0	Glidblock	Shoe	
34	1	22524342/0	Sprint	Pin	
35	1	12604897/0	Låsring	Washer	



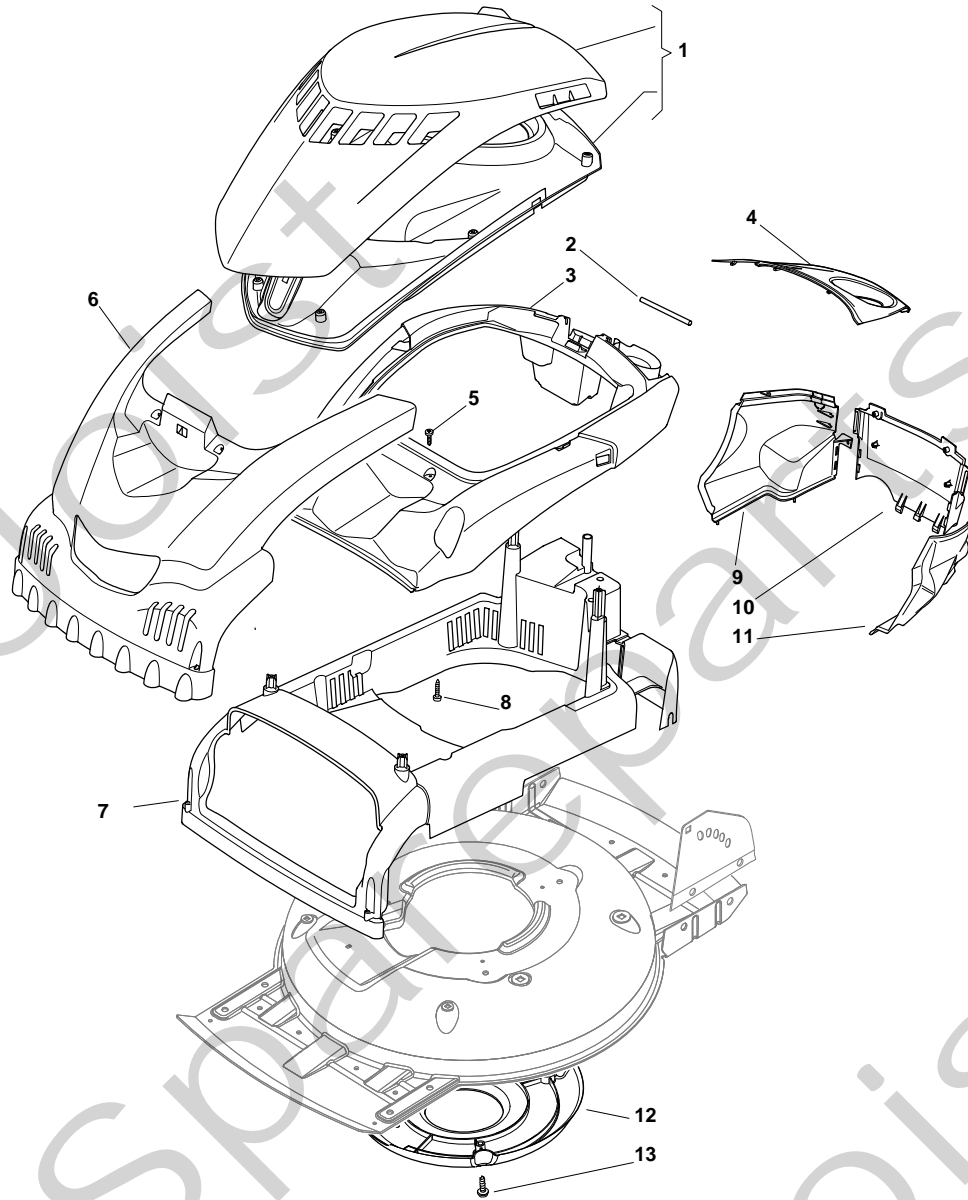
Pos. Fig.	Antal Quantity	Art No Part No	Benämning	Description	Anmärkning Notes
1	3	12792611/0	Skruv	Screw	
2	6	12523060/0	Bricka	Washer	
3	1	322207219/1	Fläns	Flange	
4	3	12293201/0	Mutter	Nut	
5	3	112735108/1	Skruv	Screw	



Pos. Fig.	Antal Quantity	Art No Part No	Benämning	Description	Anmärkning Notes
1	1	381006381/0	Styre-underdel, hö	Right Handle, Lower Part	Yellow
1	1	381006381/0	Styre-underdel, hö	Right Handle, Lower Part	
2	4	18566114/0	Plugg	Cap	
3	6	12819100/0	Skruv	Screw	
4	6	12155000/0	Mutter	Nut	
5	6	18203854/0	Tätningshylsa	Protection	
6	1	81006375/0	Styre-underdel, vä	Left Handle, Lower Part	
6	1	81006375/0	Styre-underdel, vä	Left Handle, Lower Part	Yellow
7	4	12793102/0	Skruv	Screw	
8	1	81006361/0	Styre-underdel	Handle, Lower Part Yellow	
8	1	81006361/0	Styre-underdel	Handle, Lower Part Yellow	Yellow
9	4	12155000/0	Mutter	Nut	
10	2	12523060/0	Bricka	Washer	
11	1	12523080/0	Bricka	Washer	
12	1	22399813/0	Låsratt	Knob	



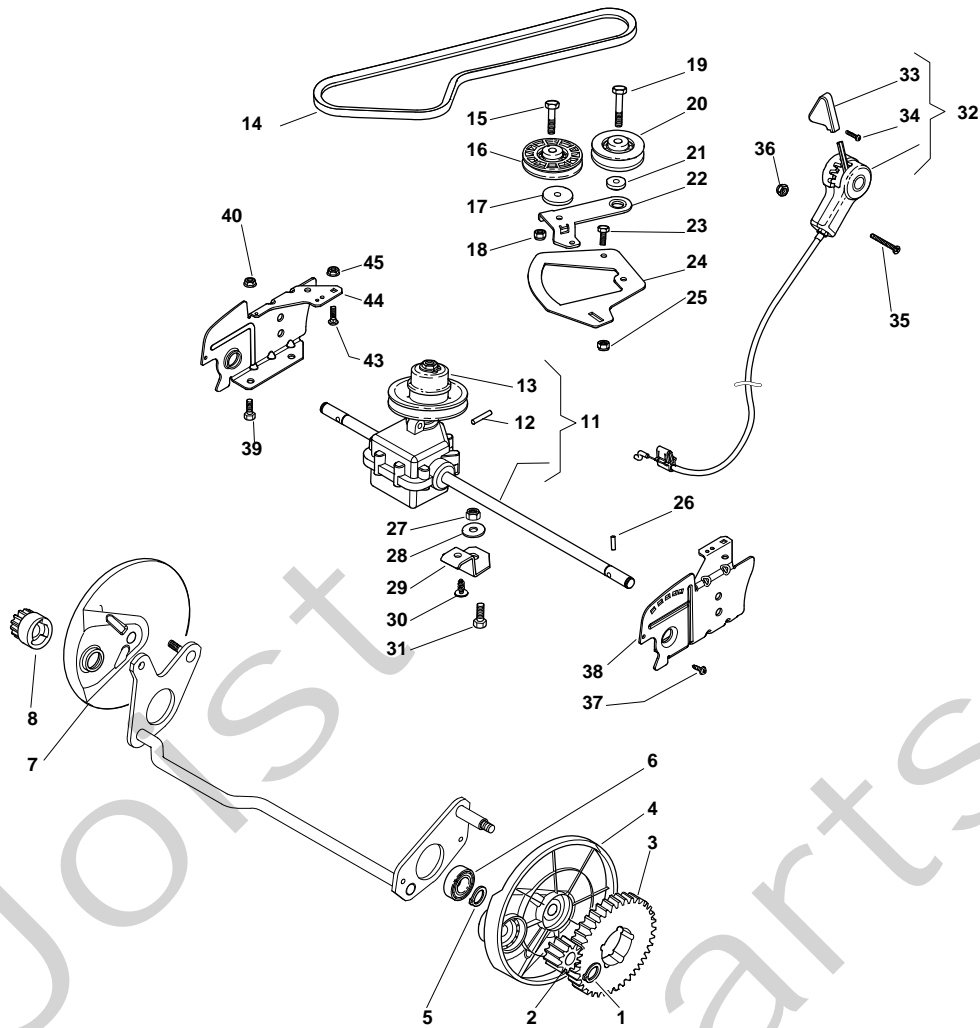
Pos. Fig.	Antal Quantity	Art No Part No	Benämning	Description	Anmärkning Notes
1	1	12291000/0	Mutter	Nut	
2	1	12581500/0	Låsbricka	Grower	
3	1	22171006/0	Distans	Spacer	
4	1	12521360/0	Bricka	Washer	
5	1	12508100/0	Låsbricka	Washer	
6	1	81007220/0	Gasarm	Lever, Throttle	(B&S 450-500 Series - Ggp 150 cc)
6	1	81007220/0	Gasarm	Lever, Throttle	
6	1	81007279/1	Gasarm	Lever, Throttle	
6	1	81007279/1	Gasarm	Lever, Throttle	(B&S 625-675-700 Series - Honda - Ggp 140-160-196 cc)
7	1	81007080/0	Gaswire	Cable, Throttle	
8	1	12815030/0	Skruv	Screw	
9	1	114356905/0	Dekal	Label	(Honda GCV 160-190 Autochoke)
9	1	114356905/0	Dekal	Label	
9	1	114356905/0	Dekal	Label	(B&S 700 series DOV)
9	1	114364264/0	Dekal	Label	
9	1	114364264/0	Dekal	Label	AVS (GGP 160-196)
9	1	14356702/0	Dekal	Label	
9	1	14356702/0	Dekal	Label	(GGP)
9	1	14356702/0	Dekal	Label	(Honda)
9	1	14356703/0	Dekal	Label	(B&S)
9	1	14356703/0	Dekal	Label	
9	1	14361404/0	Dekal	Label	
9	1	14361404/0	Dekal	Label	(GGP - Avs)



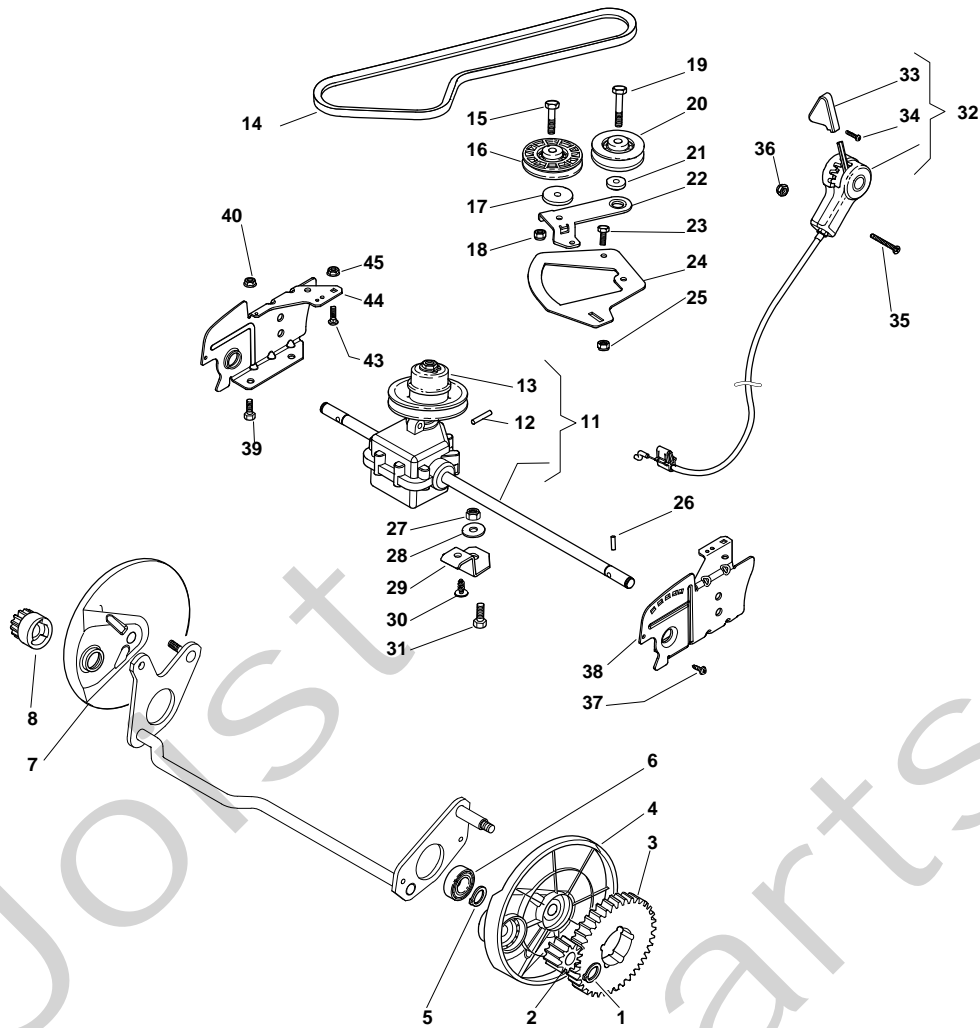


MULTICLIP 50 S SILENT PLUS - Model Year 2009

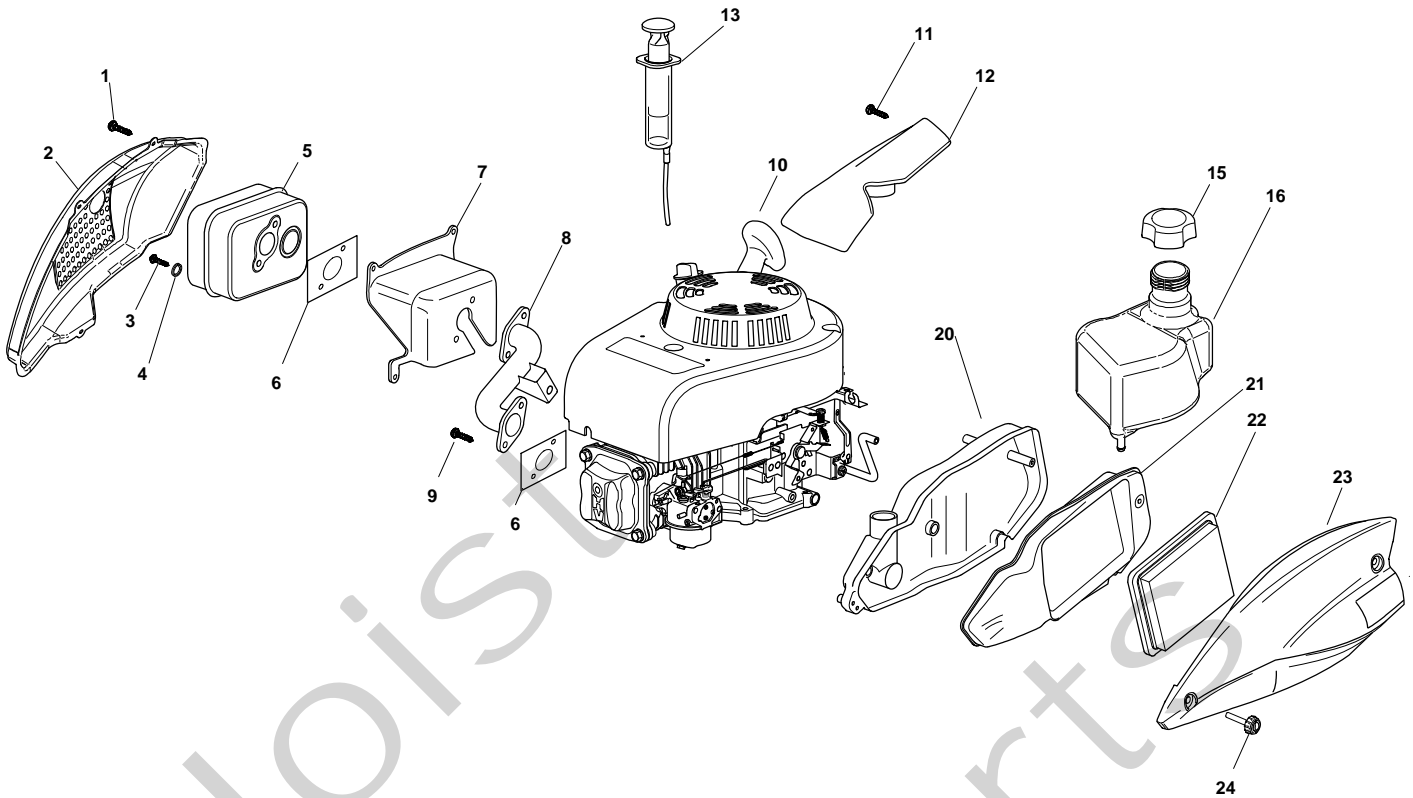
Pos. Fig.	Antal Quantity	Art No Part No	Benämning	Description	Anmärkning Notes
1	1	381119702/0	Kípa-övre	Cover, Upper Grey	
2	1	122517861/0	Sprint	Pin	
3	1	322109801/0	Kípa-övre	Cover, Upper Yellow	
3	1	322109801/0	Kípa-övre	Cover, Upper Yellow	Stiga
4	1	322109745/0	Kípa-grí	Cover, Grey	
5	6	112728706/0	Skruv	Screw	
6	1	322109804/0	Frontkípa-gul	Mask, Yellow	Stiga
6	1	322109804/0	Frontkípa-gul	Mask, Yellow	
7	1	322109802/0	Kípa-undre	Cover, Lower Yellow	
7	1	322109802/0	Kípa-undre	Cover, Lower Yellow	Stiga
8	2	112728696/0	Skruv	Screw	
9	1	322109799/0	Kípa-bakre, grí	Rear Cover, Grey	
10	1	322109798/0	Kípa-bakre, grí	Rear Cover, Grey	
11	1	322109800/0	Kípa-bakre, grí	Rear Cover, Grey	
12	1	322060227/0	Skydd	Protection	
13	3	12728530/0	Skruv	Screw	



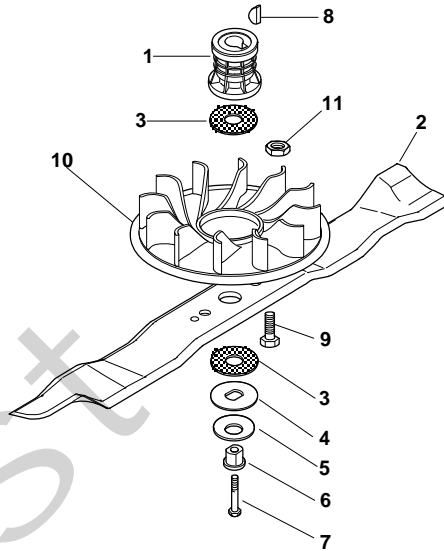
Pos. Fig.	Antal Quantity	Art No Part No	Benämning	Description	Anmärkning Notes
1	2	12608600/0	Låsring	Snap Ring	
2	1	22570120/1	Drev	Pinion L	
3	2	22120105/1	Ringdrev	Ring Gear	
4	1	22600092/0	Hjulskydd	Protection, R Wheel	
5	2	12608600/0	Låsring	Snap Ring	
6	2	19216035/0	Lager	Bearing	
7	1	22600093/0	Hjulskydd	Protection, L Wheel	
8	1	22570110/1	Drev	Pinion R	
11	1	181003098/1	Transmission	Gear Box	
12	1	12645700/0	Stift	Pin	
13	1	122601925/0	Remskiva	Pulley	
14	1	35064010/0	Drivrem	Belt	
15	1	12674701/0	Skruv	Screw	
16	1	22601914/0	Spännrulle	Pulley	
17	1	22680009/0	Bricka	Washer	
18	1	12154510/0	Mutter	Nut	
19	1	12689500/0	Skruv	Screw	
20	1	22601915/0	Spännrulle	Pulley	
21	1	12793102/0	Skruv	Screw	
21	1	22671656/0	Distans	Washer	
22	1	22320007/0	Spännarm	Lever	
23	1	12791011/0	Skruv	Screw	
24	1	22806629/0	Fäste	Support	
25	2	12154510/0	Mutter	Nut	
26	2	22753000/0	Stift	Pin	
27	1	12155000/0	Mutter	Nut	
28	1	12523060/0	Bricka	Washer	
29	1	22551655/0	Fäste	Support	
30	1	12728704/0	Skruv	Screw	
31	1	12793102/0	Skruv	Screw	
32	1	81007112/0	Variatorreglage	Cable, Speed Drive Control	



Pos. Fig.	Antal Quantity	Art No Part No	Benämning	Description	Anmärkning Notes
33	1	22399809/0	Knopp	Knob	
34	1	12728300/0	Skruv	Screw	
35	2	12727787/0	Skruv	Screw	
36	2	12154510/0	Mutter	Nut	
37	2	12728450/0	Skruv	Screw	
38	1	22778421/0	Fäste-vä	Bracket, L	
39	3	12792611/0	Skruv	Screw	
40	3	12293201/0	Mutter	Nut	
43	2	12815200/0	Skruv	Screw	
44	1	22778419/0	Fäste-hö	Bracket, R	
45	2	12292102/0	Mutter	Nut	



Pos. Fig.	Antal Quantity	Art No Part No	Benämning	Description	Anmärkning Notes
1	3	12735111/0	Skruv	Screw	
2	1	322601005/0	Ljuddämparskydd	Muffler Protection	
3	2	112689590/0		Screw	
4	2	12582100/0	Låsbricka	Washer	
5	1	118550269/0	Ljuddämpare	Muffler	
6	2	118550270/0	Packning	Muffler Gasket	
7	1	381750101/0	Skydd	Guard	
8	1	118738233/0	Avgasrör	Exhaust Tube	
9	3	12735599/0	Skruv	Screw	
10	1	118550410/0	Motor kpl	Engine	
11	2	12728700/0	Skruv	Screw	
12	1	322785269/0	Kåpa	Cover	
13	1	18718000/0	Oljepump	Syringe	
15	1	27790000/1	Lock	Cap	
16	1	322735150/0	Tank	Tank	
20	1	322785268/0	Luftfilterhus	Air Cleaner Base	
21	1	322785267/0	Kåpa	Cover	
22	1	118550257/0	Luftfilter	Air Filter	
23	1	322109746/0	Luftfilterlock	Air Cleaner Cover	
24	2	381004362/0	Skruv	Screw	



Pos. Fig.	Antal Quantity	Art No Part No	Benämning	Description	Anmärkning Notes
1	1	22465611/0	Nav	Hub	
2	1	181004148/0	Kniv	Blade	
3	2	22672110/1	Friktionsbricka	Clutch Washer	
4	1	22672105/0	Bricka	Washer	
5	1	12508120/0	Tallriksbricka	Cupped Spring	
6	1	22041940/0	Bussning	Clutch Bush	
7	1	12736850/0	Skruv	Screw	
8	1	12139100/0	Kil	Key	
9	2	12791400/0	Skruv	Screw	
10	1	322465635/0	Fläkt	Hub Fan	
11	2	12154510/0	Mutter	Nut	