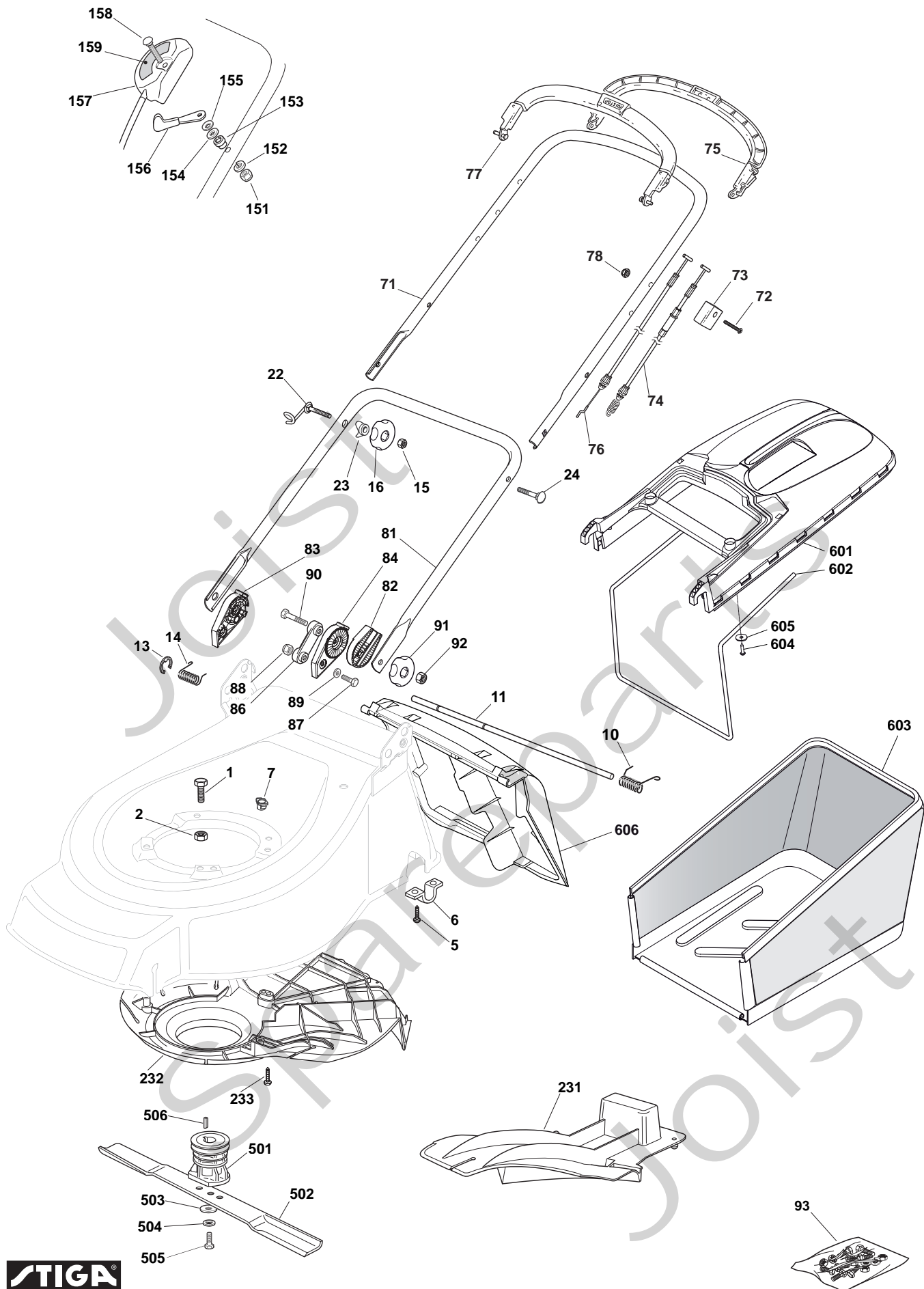


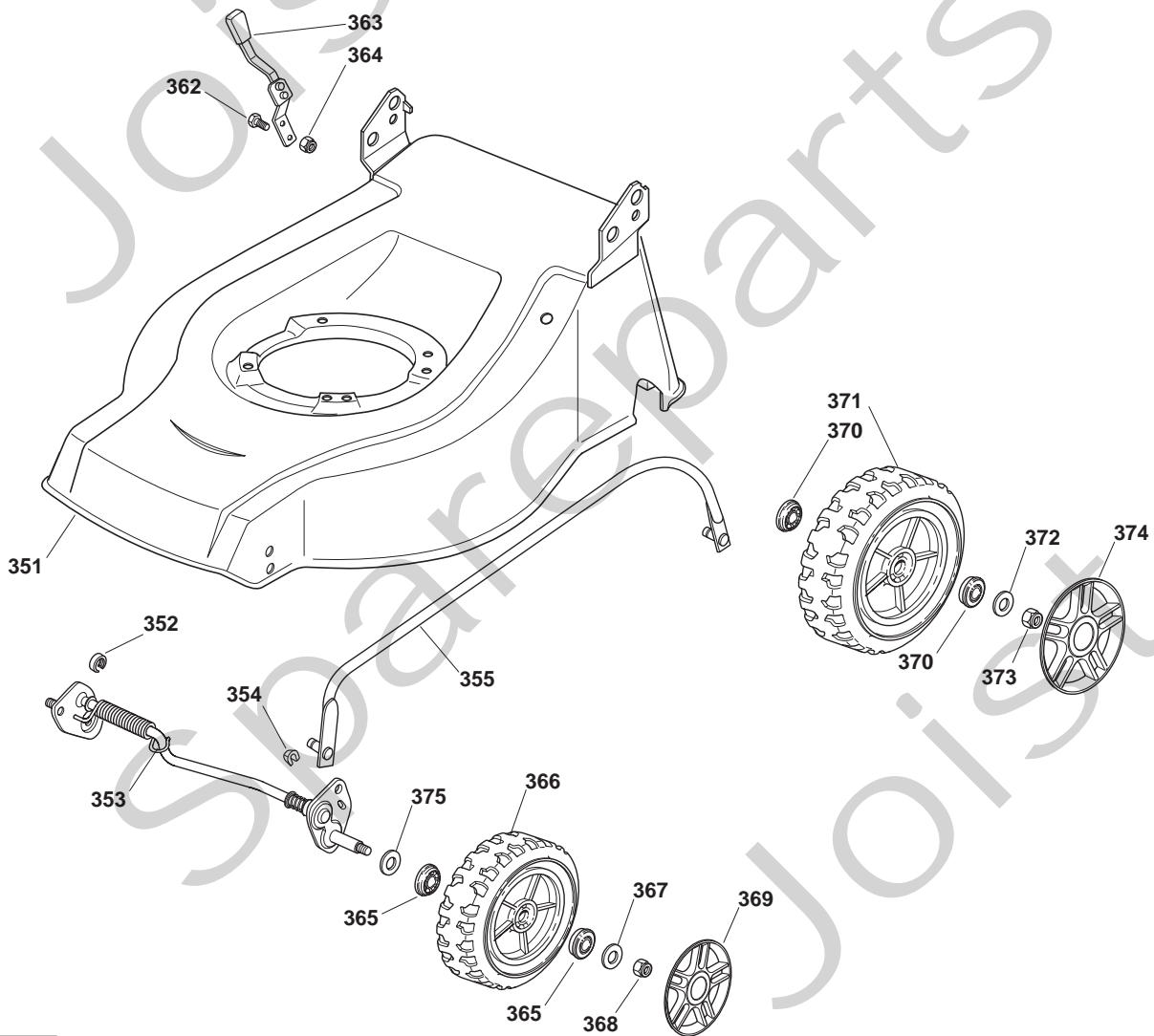
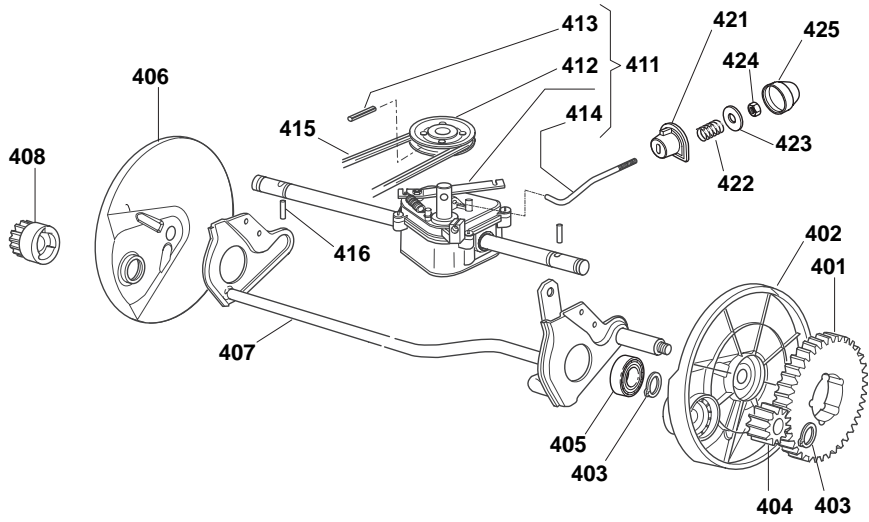
Genuine Spare Parts



Spareparts
Joist



| Utgåva Issue | | Bildnr Picture No | | TURBO 53S INOX TURBO PRO 53 4S INOX CHASSI STYRE | | TURBO 53S INOX TURBO PRO 53 4S INOX CHASSIS HANDLE | | Sida Page |
|-----------------|----------------|----------------------|-----|-----------------------------------------------------------|------------------------------|-------------------------------------------------------------|-------------|---------------------|
| 2008- 12 | | 2490 | | | | | | 152 |
| Pos. Fig. | Antal/Quantity | | | Art nr Part No | Benämning | Description | Sats Kit | Anmärkning Notes |
| | 7837 -11 | 7905 -11 | | | | | | |
| | 1 | 0/1 | 0/1 | 12691800/0 | Skruv | Screw | | |
| | 1 | 3/2 | 3/2 | 12793701/0 | Skruv | Screw | | |
| | 2 | 0/1 | 0/1 | 12155000/0 | Mutter | Nut | | |
| | 2 | 3/2 | 3/2 | 12293201/0 | Mutter | Nut | | |
| | 5 | 4 | 4 | 12731350/0 | Skruv | Screw | | |
| | 6 | 2 | 2 | 22545152/0 | Bygel | Plate | | |
| | 7 | 1 | 1 | 22291150/0 | Gummihylsa | Rubber insert | | |
| | 10 | 1 | 1 | 22450420/1 | Fjäder- vä | Spring- LH | | |
| | 11 | 1 | 1 | 22517906/1 | Axel | Pivot shaft | | |
| | 13 | 1 | 1 | 12000930/0 | Låsring | Snap ring | | |
| | 14 | 1 | 1 | 22450410/1 | Fjäder- hö | Spring- RH | | |
| | 15 | 2 | 2 | 12293200/0 | Mutter | Nut | | |
| X | 16 | 2 | 2 | 322399804/1 | Lås ratt | Locking knob | | |
| | 22 | 1 | 1 | 81003801/1 | Snörhållare | Rope holder | | |
| | 23 | 2 | 2 | 22680006/1 | Bricka | Washer | | |
| | 24 | 1 | 1 | 12819201/0 | Skruv | Screw | | |
| | 71 | 1 | 1 | 81006979/2 | Styre- överdel | Handle- upper | | |
| | 72 | 1 | 1 | 12689500/0 | Skruv | Screw | | |
| X | 73 | 1 | 1 | 22551640/0 | Wirefäste | Wire bracket | | |
| X | 74 | 1 | 1 | 381000709/2 | Kopplingswire | Clutch cable | | |
| X | 75 | 1 | 1 | 81003297/1 | Reglagebygel- drivning | Control lever- drive | | |
| X | 76 | 1 | 1 | 81000657/0 | Motorbromswire | Engine brake cable | GGP | |
| | 76 | 1 | 1 | 81000731/1 | Motorbromswire | Engine brake cable | Honda | |
| | 77 | 1 | 1 | 81003298/1 | Reglagebygel | Control lever | | |
| | 78 | 1 | 1 | 12154510/0 | Mutter | Nut | | |
| | 81 | 1 | 1 | 81006532/0 | Styre- underdel | Handle- lower | | |
| | 82 | 2 | 2 | 22785081/1 | Stöd- yttre | Support- external | | |
| | 83 | 1 | 1 | 22785082/0 | Stöd- hö, inre | Support- RH, internal | | |
| | 84 | 1 | 1 | 22785083/1 | Stöd- vä, inre | Support- LH, internal | | |
| | 86 | 2 | 2 | 22551575/0 | Platta- inre | Plate- inside | | |
| | 87 | 2 | 2 | 12793701/0 | Skruv | Screw | | |
| | 88 | 2 | 2 | 12155000/0 | Mutter | Nut | | |
| | 89 | 2 | 2 | 12521350/0 | Bricka | Washer | | |
| | 90 | 2 | 2 | 12691810/0 | Skruv | Screw | | |
| X | 91 | 2 | 2 | 322399804/1 | Lås ratt | Locking knob | | |
| | 92 | 2 | 2 | 12293202/0 | Mutter | Nut | | |
| X | 93 | 1 | 1 | 81008623/1 | Skrivsats | Screw set | | |
| | 151 | 1 | 1 | 12291000/0 | Mutter | Nut | | |
| | 152 | 1 | 1 | 12581500/0 | Låsbricka | Washer | | |
| | 153 | 1 | 1 | 22171005/0 | Distans | Spacer | | |
| | 154 | 1 | 1 | 12521360/0 | Bricka | Washer | | |
| | 155 | 1 | 1 | 12508100/0 | Låsbricka | Washer | | |
| | 156 | 1 | 1 | 81007279/1 | Gasarm | Throttle lever | | |
| | 157 | 1 | 1 | 81007080/0 | Gaswire | Throttle cable | | |
| | 158 | 1 | 1 | 12815000/0 | Skruv | Screw | | |
| | 159 | 1 | 1 | 14356702/0 | Dekal | Label | | |
| | 231 | 1 | 1 | 22140222/0 | Mulchplugg | Mulchplug | | |
| X | 232 | 1 | 1 | 322060197/2 | Skydd | Protection | | |
| | 233 | 3 | 3 | 12728530/0 | Skruv | Screw | | |
| | 501 | 1 | 1 | 1111- 9120- 01 | Knivfäste m.remskiva | Hub w. pulley | | |
| | 502 | 1 | 1 | 81004398/0 | Kniv | Messer | | |
| | 503 | 1 | 1 | 22160400/0 | Bricka | Elastic washer | | |
| | 504 | 1 | 1 | 12523080/0 | Bricka | Washer | | |
| | 505 | 1 | 1 | 12735698/0 | Skruv | Screw | | |
| | 506 | 1 | 1 | 12139100/0 | Kil | Key | | |
| | 601 | 1 | 1 | 22486110/1 | Uppsamlare- överdel | Grassbox- upper | | |
| | 602 | 1 | 1 | 22608525/0 | Ram | Reinforcement | | |
| | 603 | 1 | 1 | 81002211/0 | Uppsamlingsäck | Grass bag | | |
| | 604 | 2 | 2 | 12728680/0 | Skruv | Screw | | |
| | 605 | 2 | 2 | 12523050/0 | Bricka | Washer | | |
| | 606 | 1 | 1 | 22600075/1 | Lucka | Stone guard | | |



| Utgåva Issue 2008- 12 | | Bildnr Picture No 2491 | | TURBO 53S INOX HJULUPPHÄNGNING TRANSMISSION | | TURBO 53S INOX WHEEL SUSPENSION TRANSMISSION | | Sida Page 154 | |
|-----------------------------|----------------|------------------------------|--|---------------------------------------------------|-------------------|----------------------------------------------------|---------------------------|---------------------|---------------------|
| Pos. Fig. | Antal/Quantity | | | | Art nr Part No | Benämning | Description | Sats Kit | Anmärkning Notes |
| | 7837 -11 | | | | | | | | |
| X | 351 | 1 | | | 381003618/0 | Chassi- Inox..... | Chassis- Inox | | |
| | 352 | 1 | | | 22171002/0 | Distans | Spacer | | |
| | 353 | 1 | | | 81000143/1 | Hjulaxel- fram | Wheel axle- front | | |
| X | 354 | 2 | | | 112436050/1 | Låsplatta | Plate | | |
| | 355 | 1 | | | 81006483/1 | Höjdinst.stång | Height adjust rod | | |
| | 362 | 2 | | | 12789000/0 | Skruv | Screw | | |
| | 363 | 1 | | | 81003283/1 | Höjdinställn.spak | Height adjust lever | | |
| | 364 | 2 | | | 12154320/0 | Mutter | Nut | | |
| | 365 | 4 | | | 22122200/0 | Kullager | Ball bearing | | |
| | 366 | 2 | | | 81007351/0 | Hjul | Wheel | | |
| | 367 | 2 | | | 12521350/0 | Bricka | Washer | | |
| | 368 | 2 | | | 12155000/0 | Mutter | Nut | | |
| X | 369 | 2 | | | 22110491/0 | Navkapsel | Hub cap | | |
| | 370 | 4 | | | 22122200/0 | Kullager | Ball bearing | | |
| | 371 | 2 | | | 81007343/0 | Hjul | Wheel | | |
| | 372 | 2 | | | 12521350/0 | Bricka | Washer | | |
| | 373 | 2 | | | 12155000/0 | Mutter | Nut | | |
| X | 374 | 2 | | | 22110492/0 | Navkapsel | Hub cap | | |
| | 375 | 2 | | | 12530150/0 | Bricka | Washer | | |
| | 401 | 2 | | | 22120105/1 | Ringdrev | Ring gear | | |
| | 402 | 1 | | | 22600093/0 | Hjulskydd | Wheel cover | | |
| | 403 | 4 | | | 12608600/0 | Låsring | Seegerring | | |
| | 404 | 1 | | | 22570120/1 | Drev- vä | Pinion- LH | | |
| | 405 | 2 | | | 19216035/0 | Lager | Bearing | | |
| | 406 | 1 | | | 22600092/0 | Hjulskydd | Wheel cover | | |
| | 407 | 1 | | | 81000147/0 | Bakaxel | Rear axle | | |
| | 408 | 1 | | | 22570110/1 | Drev- hö | Pinion- RH | | |
| | 411 | 1 | | | 81003076/0 | Transmission (svart)..... | Transmission (black)..... | | |
| | 412 | 1 | | | 22601904/0 | • Remskiva | • Belt pulley | | |
| | 413 | 1 | | | 12645705/0 | • Stift | • Pin | | |
| | 414 | 1 | | | 22033283/0 | • Justerstång | • Adjustment rod | | |
| | 415 | 1 | | | 1111- 9124- 01 | Drivrem | Belt | | |
| | 416 | 2 | | | 22753000/0 | Stift | Pin | | |
| | 421 | 1 | | | 22041957/1 | Bussning | Bush | | |
| | 422 | 1 | | | 22450063/0 | Fjäder | Spring | | |
| | 423 | 1 | | | 22680009/0 | Bricka | Washer | | |
| | 424 | 1 | | | 12154510/0 | Mutter | Nut | | |
| | 425 | 1 | | | 22110230/0 | Lock | Cap | | |