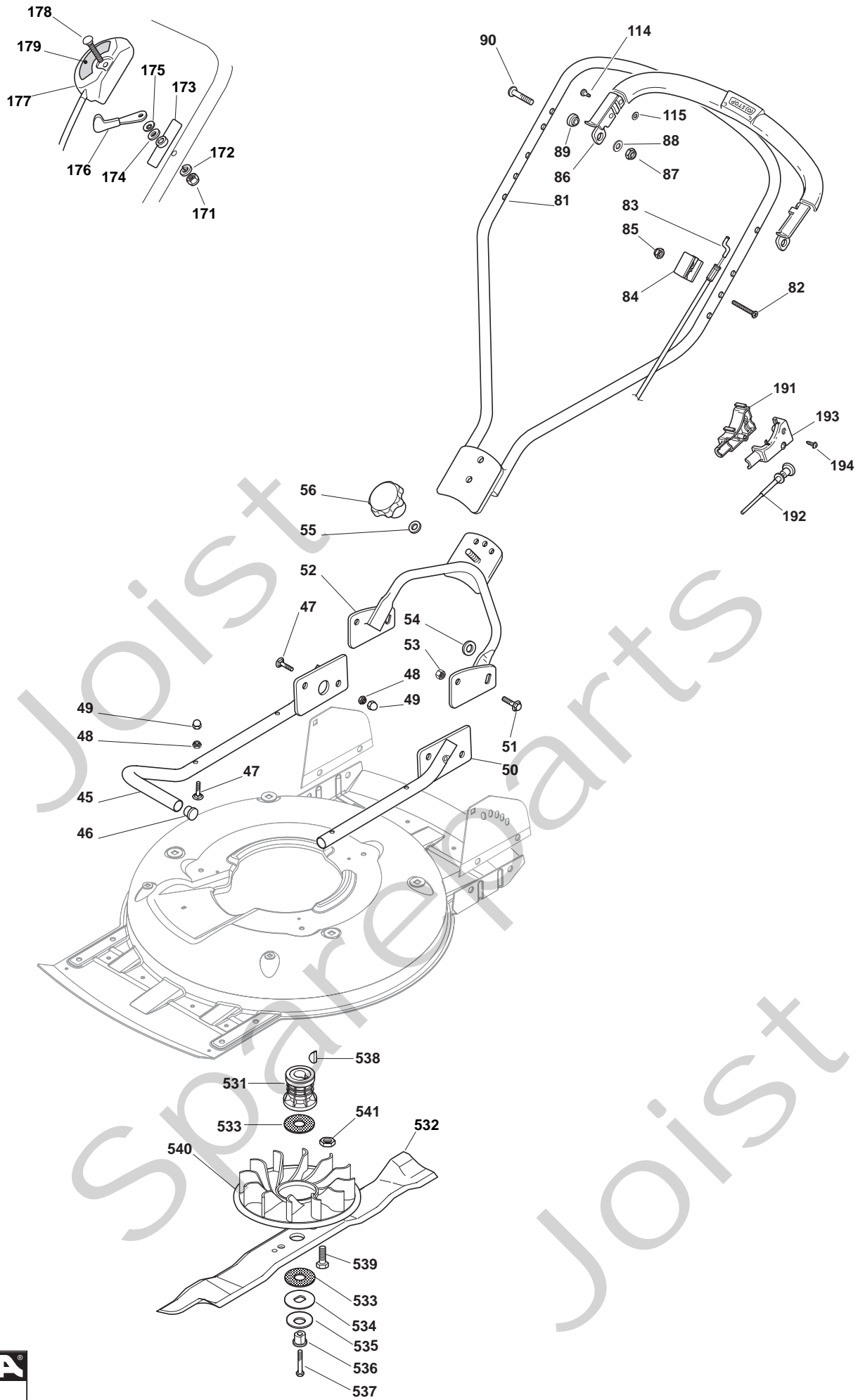


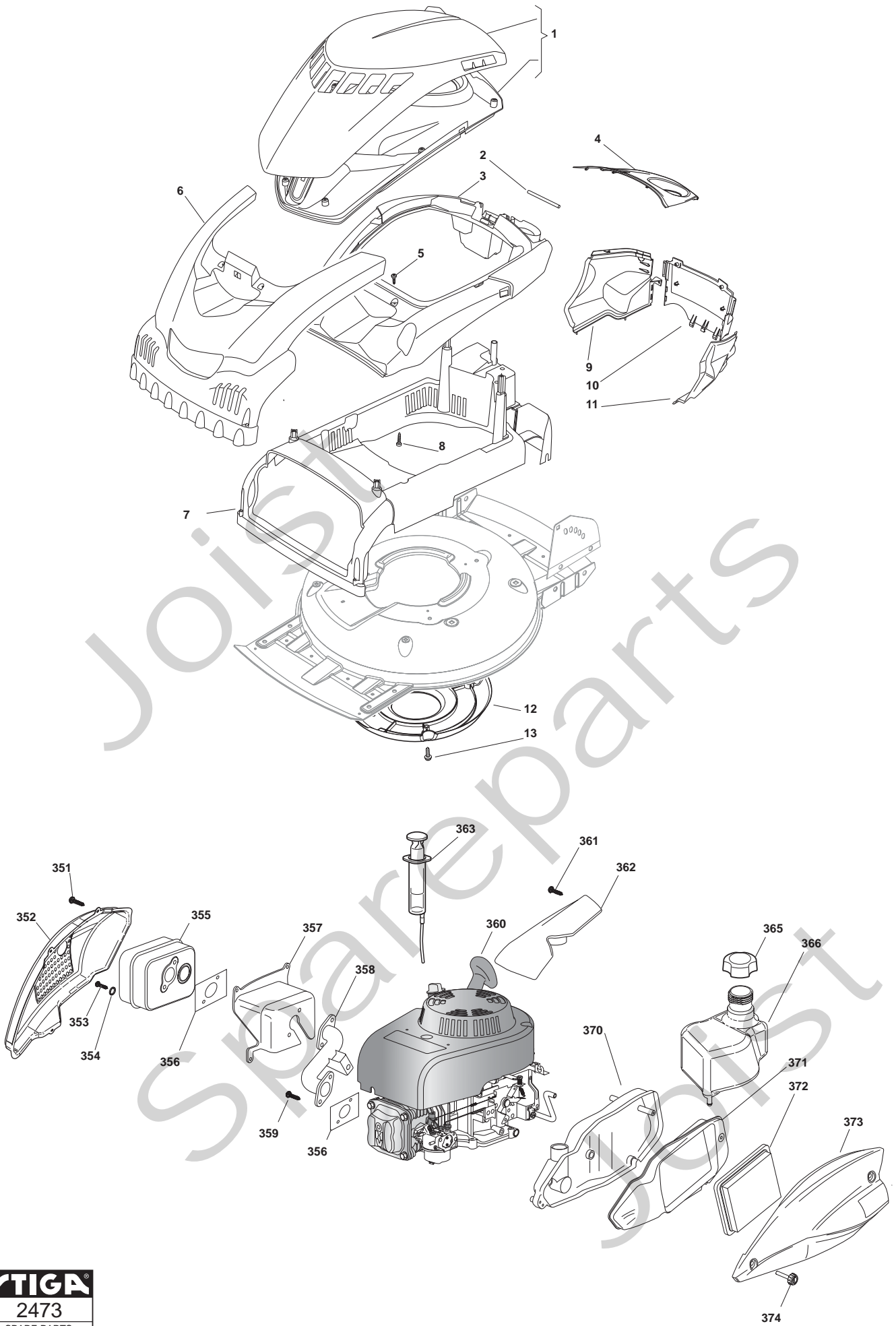
Genuine Spare Parts



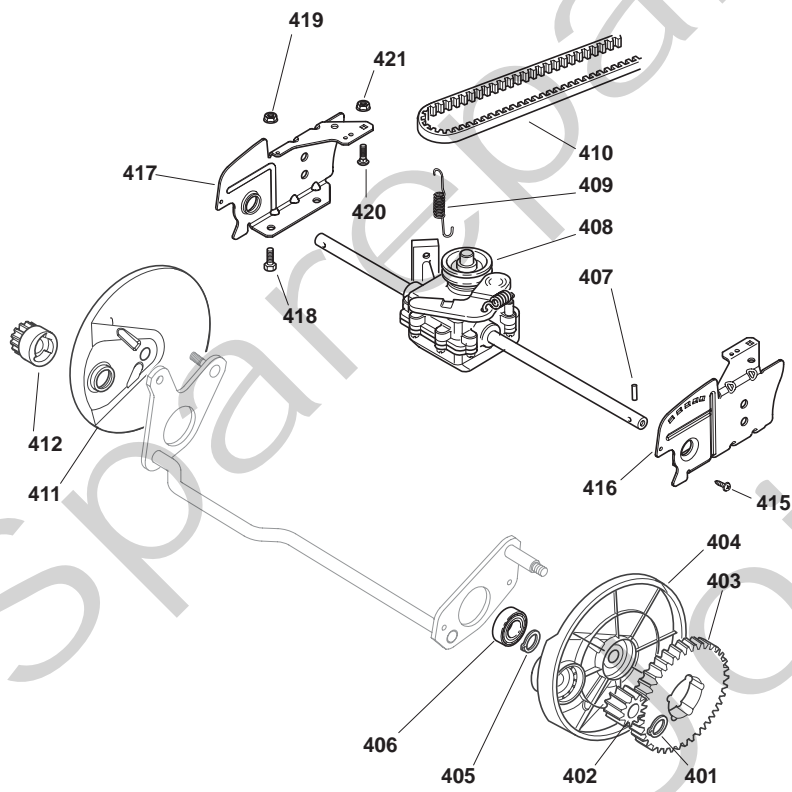
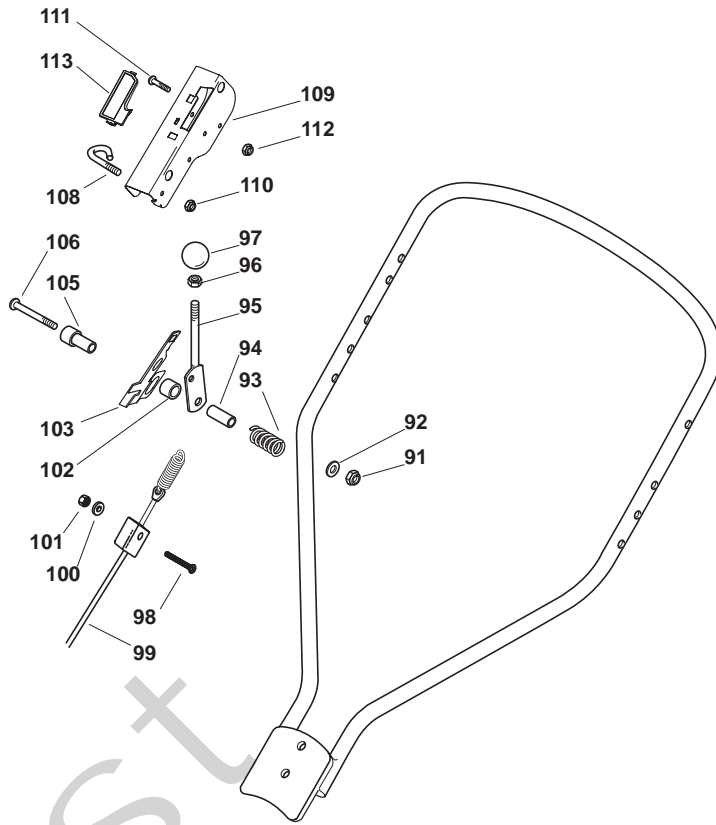
Spareparts
Joist



Utgåva Issue 2008- 12		Bildnr Picture No 2472		MULTICLIP 50S SILENT CHASSI STYRE		MULTICLIP 50S SILENT CHASSIS HANDLE		Sida Page 36	
Pos. Fig.	Antal/Quantity			Art nr Part No	Benämning	Description	Sats Kit	Anmärkning Notes	
	5637 -11	5437 -11							
X	45	1	1	381006381/0	Styre- underdel, hö	Handle- lower, RH			
	46	4	4	18566114/0	Plugg	Cap			
	47	6	6	12819100/0	Skruv	Screw			
	48	6	6	12155000/0	Mutter	Nut			
	49	6	6	18203854/0	Mutterhatt	Nut cap			
X	50	1	1	381006375/0	Styre- underdel, vä	Handle- lower, LH			
	51	4	4	12793102/0	Skruv	Screw			
	52	1	1	81006361/0	Styre- underdel, gul	Handle- lower, yellow			
	53	4	4	12155000/0	Mutter	Nut			
	54	2	2	12523060/0	Bricka	Washer			
	55	1	1	12523080/0	Bricka	Washer			
	56	1	1	22399813/0	Låsrott	Knob			
	81	1	1	81006363/1	Styre- överdel, gul	Handle- upper, yellow			
	82	1	1	12727783/0	Skruv	Screw			
X	83	1	1	81000730/0	Motorbromswire	Engine brake cable			
	84	1	1	22551640/0	Wirefäste	Wire bracket			
	85	1	1	12154510/0	Mutter	Nut			
	86	1	1	81003318/1	Reglagebygel	Control lever			
	87	2	2	12154510/0	Mutter	Nut			
	88	2	2	12521330/0	Bricka	Washer			
	89	2	2	22671660/1	Bricka	Washer			
	90	2	2	12727784/0	Skruv	Screw			
	114	1	1	22524342/0	Sprint	Pin			
	115	1	1	12604897/0	Låsring	Snap ring			
	171	1	1	12291000/0	Mutter	Nut			
	172	1	1	12581500/0	Låsbricka	Washer			
	173	1	1	22171006/0	Distans	Spacer			
	174	1	1	12521360/0	Bricka	Washer			
	175	1	1	12508100/0	Låsbricka	Washer			
	176	1	1	81007279/1	Gasarm	Throttle lever			
	177	1	1	81007080/0	Gaswire	Throttle cable			
	178	1	1	12815030/0	Skruv	Screw			
	179	1	1	14356702/0	Dekal	Label			
	191		1	22722804/1	Hus	Housing			
X	192		1	381000742/1	Chokereglage	Choke control			
	193		1	22722805/1	Lock	Cover			
	194		1	12728300/0	Skruv	Screw			
	531	1	1	1111- 9163- 01	Knivfäste	Blade holder			
X	532	1	1	181004148/0	Kniv	Blade			
	533	2	2	22672110/1	Frikationsbricka	Friction washer			
	534	1	1	22672105/0	Bricka	Washer			
	535	1	1	12508120/0	Tallriksbricka	Cup washer			
	536	1	1	22041940/0	Bussning	Bushing			
	537	1	1	12736850/0	Skruv	Screw			
	538	1	1	12139100/0	Kil	Key			
	539	2	2	12791400/0	Skruv	Screw			
X	540	1	1	322465635/0	Fläkt	Fan			
	541	2	2	12154510/0	Mutter	Nut			

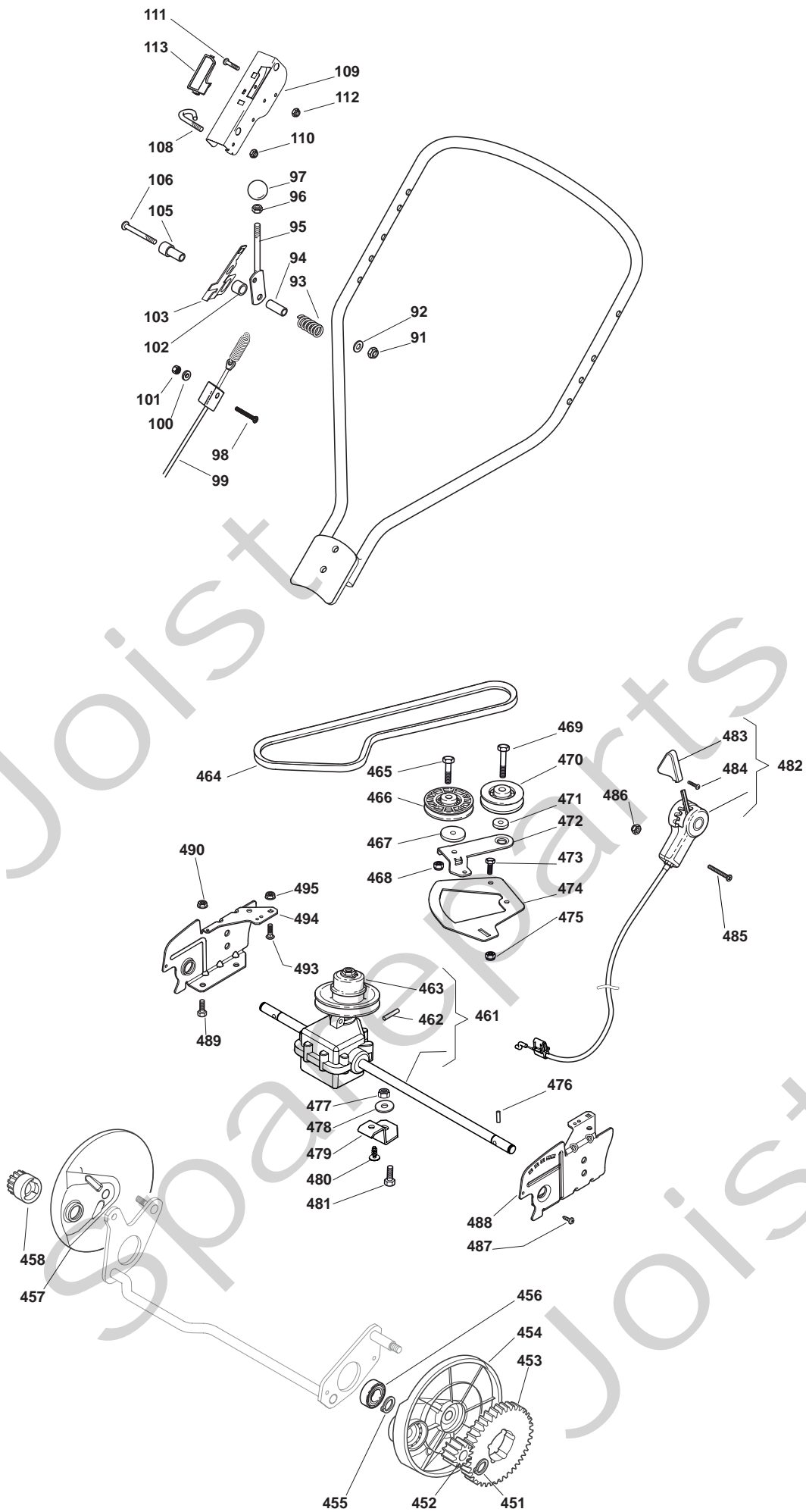


Utgåva Issue		Bildnr Picture No		MULTICLIP 50S SILENT KÅPOR		MULTICLIP 50S SILENT COVERS		Sida Page	
2008- 12		2473						38	
Pos. Fig.	Antal/Quantity				Art nr Part No	Benämning	Description	Sats Kit	Anmärkning Notes
	5437 -11	5637 -11							
X	1	1			381119702/0	Kåpa- övre, grå	Cover- upper, grey		
X	2	1			122517861/0	Sprint.....	Pin		
X	3	1			322109801/0	Kåpa- övre, gul.....	Cover- upper, yellow.....		
X	4	1			322109745/0	Kåpa- grå	Cover- grey.....		
X	5	6			112728706/0	Skruv	Screw		
X	6	1			322109804/0	Frontkåpa- gul.....	Front cover- yellow.....		
X	7	1			322109802/0	Kåpa- undre, gul	Cover- lower, yellow		
X	8	2			112728696/0	Skruv	Screw		
X	9	1			322109799/0	Kåpa- bakre, grå.....	Rear cover, grey		
X	10	1			322109798/0	Kåpa- bakre, grå.....	Rear cover, grey		
X	11	1			322109800/0	Kåpa- bakre, grå.....	Rear cover, grey		
X	12	1			322060227/0	Skydd	Protection		
	13	3			12728530/0	Skruv	Screw		
	351	3			12735111/0	Skruv	Screw		
X	352	1			322601005/0	Ljuddämparskydd.....	Muffler protection		
X	353	2			112689590/0	Skruv	Screw		
	354	2			12582100/0	Låsbricka	Lock washer		
X	355	1			118550269/0	Ljuddämpare	Muffler		
X	356	2			118550270/0	Packning.....	Muffler gasket		
X	357	1			381750101/0	Skydd	Guard		
X	358	1			118738233/0	Avgasrör	Exhaust tube		
	359	3			12735599/0	Skruv	Screw		
X	360	1			118550317/0	Motor kpl.....	Engine assy		GGP RM55
X	361	2			12728700/0	Skruv	Screw		
X	362	1			322785269/0	Kåpa	Cover		
	363	1			18718000/0	Oljepump	Oil drain pump		
	365	1			27790000/1	Tanklock	Fuel tank cap		
X	366	1			322735150/0	Tank	Fuel tank		
X	370	1			322785268/0	Luftfilterhus	Air cleaner base		
X	371	1			322785267/0	Kåpa	Cover		
X	372	1			118550257/0	Luftfilter	Air filter		
X	373	1			322109746/0	Luftfilterkåpa	Air cleaner cover		
X	374	2			381004362/0	Skruv	Screw		



Utgåva Issue		Bildnr Picture No		MULTICLIP 50S SILENT TRANSMISSION		MULTICLIP 50S SILENT TRANSMISSION		Sida Page	
2008- 12		2470						40	
Pos. Fig.	Antal/Quantity				Art nr Part No	Benämning	Description	Sats Kit	Anmärkning Notes
	5637 -11								
91	1			12292100/0	Mutter.....	Nut.....			
92	1			12530060/0	Bricka.....	Washer.....			
93	1			22450446/0	Fjäder.....	Spring.....			
94	1			22170840/0	Distans.....	Spacer.....			
95	1			81003313/0	Spak.....	Drive lever.....			
96	1			12293200/0	Mutter.....	Nut.....			
97	1			22399812/0	Knopp.....	Knob.....			
98	1			12727791/0	Skruv.....	Screw.....			
99	1			381000745/1	Kopplingswire.....	Clutch cable.....			
100	1			12521330/0	Bricka.....	Washer.....			
101	1			12154510/0	Mutter.....	Nut.....			
102	1			22170843/0	Distans.....	Spacer.....			
103	1			22551653/0	Platta.....	Plate.....			
105	1			22170842/0	Distans.....	Spacer.....			
106	1			12727786/0	Skruv.....	Screw.....			
108	1			22430314/0	Öglebult.....	Eye bolt.....			
109	1			81004405/0	Panel.....	Dashboard.....			
110	1			12154510/0	Mutter.....	Nut.....			
111	1			12727792/0	Skruv.....	Screw.....			
112	1			12154510/0	Mutter.....	Nut.....			
113	1			22500050/0	Glidblock.....	Shoe.....			
401	2			12608600/0	Låsring.....	Seegerring.....			
402	1			22570120/1	Drev- vä.....	Pinion- LH.....			
403	2			22120105/1	Ringdrev.....	Ring gear.....			
404	1			22600092/0	Hjulskydd.....	Wheel cover.....			
405	2			12608600/0	Låsring.....	Seegerring.....			
406	2			19216035/0	Lager.....	Bearing.....			
407	2			22753000/0	Stift.....	Pin.....			
408	1			81003095/0	Transmission kpl.....	Transmission assy.....			
409	1			22450437/0	Fjäder.....	Spring.....			
410	1			1111- 9124- 01	Drivrem.....	Belt.....			
411	1			22600093/0	Hjulskydd.....	Wheel cover.....			
412	1			22570110/1	Drev- hö.....	Pinion- RH.....			
415	2			12728450/0	Skruv.....	Screw.....			
416	1			22778421/0	Fäste- vä.....	Bracket- LH.....			
417	1			22778419/0	Fäste- hö.....	Bracket- RH.....			
418	4			12792611/0	Skruv.....	Screw.....			
419	4			12293201/0	Mutter.....	Nut.....			
420	2			12815200/0	Skruv.....	Screw.....			
421	2			12292102/0	Mutter.....	Nut.....			

X

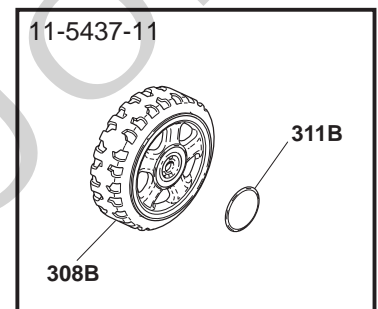
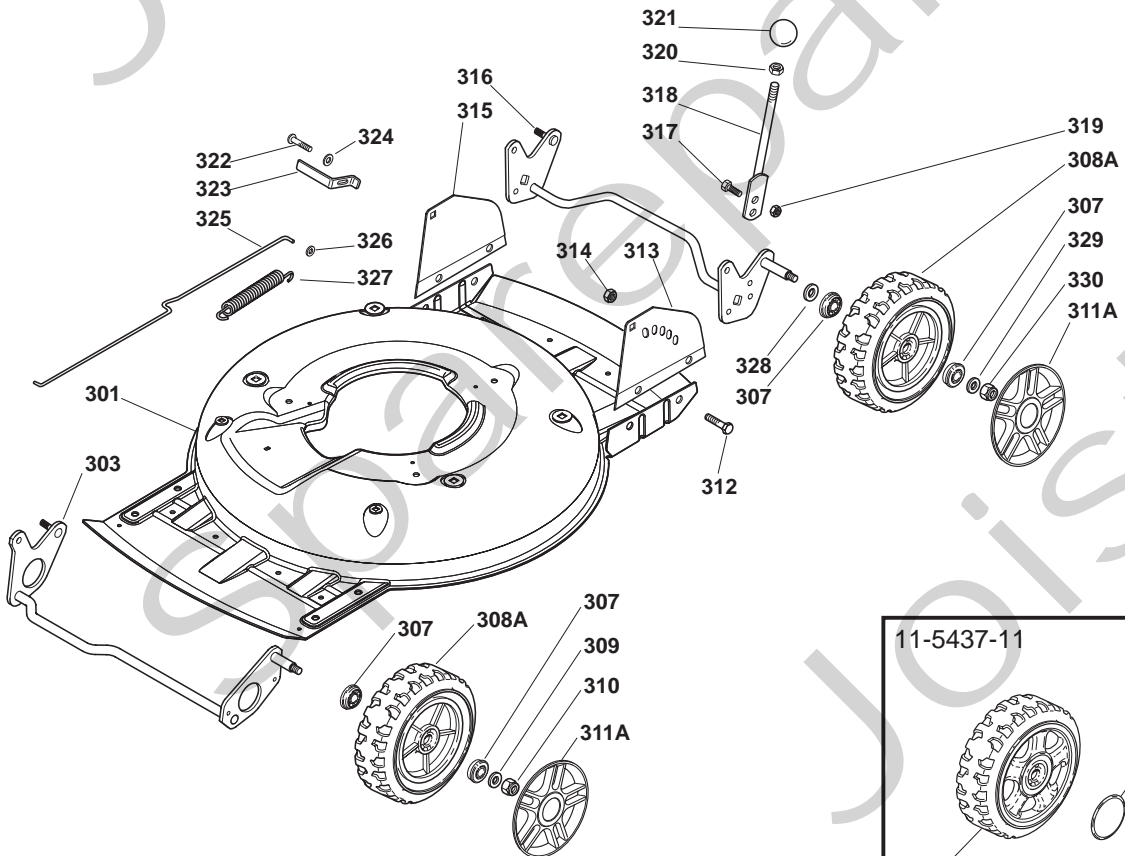
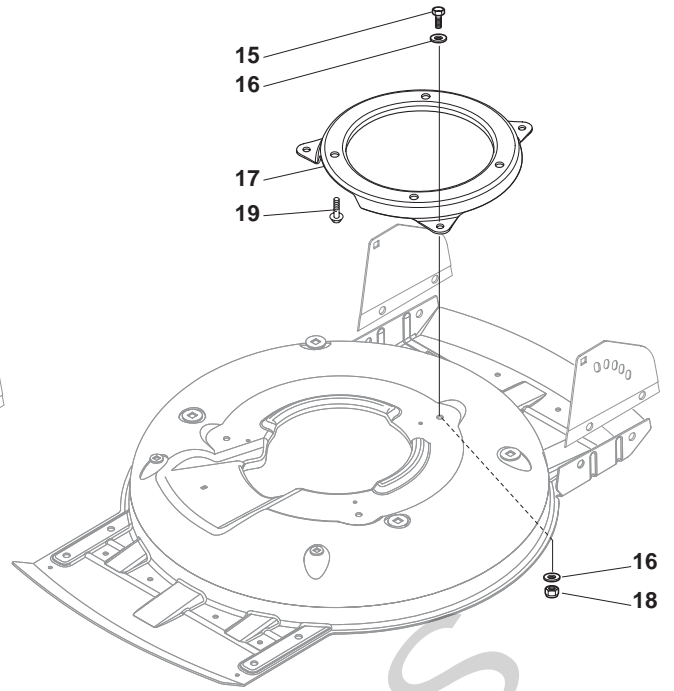
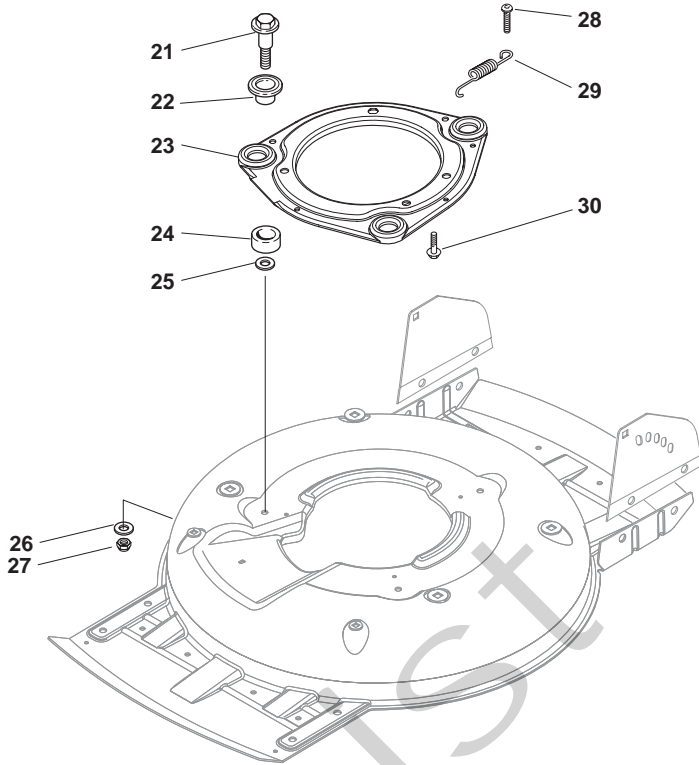


Utgåva Issue		Bildnr Picture No		MULTICLIP 50S SILENT TRANSMISSION (4- speed)		MULTICLIP 50S SILENT TRANSMISSION (4- speed)		Sida Page	
2008- 12		2471						42	
Pos. Fig.	Antal/Quantity				Art nr Part No	Benämning	Description	Sats Kit	Anmärkning Notes
	5437 -11								
91	1			12292100/0	Mutter.....	Nut.....			
92	1			12530060/0	Bricka.....	Washer.....			
93	1			22450446/0	Fjäder.....	Spring.....			
94	1			22170840/0	Distans.....	Spacer.....			
95	1			81003313/0	Spak.....	Drive lever.....			
96	1			12293200/0	Mutter.....	Nut.....			
97	1			22399812/0	Knopp.....	Knob.....			
98	1			12727791/0	Skruv.....	Screw.....			
99	1			381000745/1	Kopplingswire.....	Clutch cable.....			
100	1			12521330/0	Bricka.....	Washer.....			
101	1			12154510/0	Mutter.....	Nut.....			
102	1			22170843/0	Distans.....	Spacer.....			
103	1			22551653/0	Platta.....	Plate.....			
105	1			22170842/0	Distans.....	Spacer.....			
106	1			12727786/0	Skruv.....	Screw.....			
108	1			22430314/0	Öglebult.....	Eye bolt.....			
109	1			81004405/0	Panel.....	Dashboard.....			
110	1			12154510/0	Mutter.....	Nut.....			
111	1			12727792/0	Skruv.....	Screw.....			
112	1			12154510/0	Mutter.....	Nut.....			
113	1			22500050/0	Glidblock.....	Shoe.....			
451	2			12608600/0	Låsring.....	Seegerring.....			
452	1			22570120/1	Drev- vä.....	Pinion- LH.....			
453	2			22120105/1	Ringdrev.....	Ring gear.....			
454	1			22600092/0	Hjulskydd.....	Wheel cover.....			
455	2			12608600/0	Låsring.....	Seegerring.....			
456	2			19216035/0	Lager.....	Bearing.....			
457	1			22600093/0	Hjulskydd.....	Wheel cover.....			
458	1			22570110/1	Drev- hö.....	Pinion- RH.....			
461	1			81003098/0	Transmission kpl.....	Transmission assy.....			
462	1			12645700/0	• Stift.....	• Pin.....			
463	1			22601916/0	• Variator.....	• Variator pulley.....			
464	1			1111- 9164- 01	Drivrem.....	Drive belt.....			
465	1			12674701/0	Skruv.....	Screw.....			
466	1			22601914/0	Spännrulle.....	Tension roller.....			
467	1			22680009/0	Bricka.....	Washer.....			
468	1			12154510/0	Mutter.....	Nut.....			
469	1			12689500/0	Skruv.....	Screw.....			
470	1			22601915/0	Spännrulle.....	Tension roller.....			
471	1			22671656/0	Distans.....	Spacer.....			
472	1			22320007/0	Spännarm.....	Tension arm.....			
473	1			12791011/0	Skruv.....	Screw.....			
474	1			22806629/0	Fäste.....	Support.....			
475	2			12154510/0	Mutter.....	Nut.....			
476	2			22753000/0	Stift.....	Pin.....			
477	1			12155000/0	Mutter.....	Nut.....			
478	1			12523060/0	Bricka.....	Washer.....			
479	1			22551655/0	Fäste.....	Support.....			
480	1			12728704/0	Skruv.....	Screw.....			
481	1			12793102/0	Skruv.....	Screw.....			
482	1			81007112/0	Variatorreglage kpl.....	Variator control assy.....			
483	1			22399809/0	• Knopp.....	• Knob.....			
484	1			12728300/0	• Skruv.....	• Screw.....			
485	2			12727787/0	Skruv.....	Screw.....			
486	2			12154510/0	Mutter.....	Nut.....			
487	2			12728450/0	Skruv.....	Screw.....			
488	1			22778421/0	Fäste- vä.....	Bracket- LH.....			
489	3			12792611/0	Skruv.....	Screw.....			
490	3			12293201/0	Mutter.....	Nut.....			
493	2			12815200/0	Skruv.....	Screw.....			
494	1			22778419/0	Fäste- hö.....	Bracket- RH.....			
495	2			12292102/0	Mutter.....	Nut.....			

X

11-5437-11

11-5637-11



Utgåva Issue		Bildnr Picture No		MULTICLIP 50S SILENT HJULUPPHÄNGNING		MULTICLIP 50S SILENT WHEEL SUSPENSION		Sida Page	
2008- 12		2102D						44	
Pos. Fig.	Antal/Quantity			Art nr Part No	Benämning	Description	Sats Kit	Anmärkning Notes	
	5437 -11	5637 -11							
X	15		3	12792611/0	Skruv.....	Screw.....			
	16		6	12523060/0	Bricka.....	Washer.....			
	17		1	322207219/1	Fläns.....	Flange.....			
X	18		3	12293201/0	Mutter.....	Nut.....			
X	19		3	112735108/1	Skruv.....	Screw.....			
	21	3		22524329/0	Bult.....	Bolt.....			
	22	3		22672201/0	Bricka.....	Washer.....			
	23	1		81207221/1	Fläns- gul.....	Flange- yellow.....			
	23	1		81207222/1	Fläns- svart.....	Flange- black.....			
	24	3		22250012/0	Dämpelement.....	Rubber damper.....			
	25	3		22672201/0	Bricka.....	Washer.....			
	26	3		22671651/0	Bricka.....	Washer.....			
	27	3		12155000/0	Mutter.....	Nut.....			
	28	1		12791400/0	Skruv.....	Screw.....			
	29	1		22450444/0	Fjäder.....	Spring.....			
X	30	3		112735108/1	Skruv.....	Screw.....			
	301	1	1	81002909/1	Chassi- grå.....	Chassis- grey.....			
	303	1	1	81002849/0	Hjulaxel.....	Wheel axle.....			
	307	8	8	22122200/0	Kullager.....	Ball bearing.....			
	308 A		4	81007343/0	Hjul.....	Wheel.....			
	308 B	4		81007382/0	Hjul.....	Wheel.....			
	309	2	2	12369500/0	Bricka.....	Washer.....			
	310	2	2	12155000/0	Mutter.....	Nut.....			
X	311 A		4	22110492/0	Navkapsel.....	Hub cap.....			
	311 B	4		22110419/0	Navkapsel- svart.....	Hub cap- black.....			
	312	4	4	12791011/0	Skruv.....	Screw.....			
	313	1	1	81545105/0	Platta- vä.....	Plate- LH.....			
	314	4	4	12154510/0	Mutter.....	Nut.....			
	315	1	1	81545104/0	Platta- hö.....	Plate- RH.....			
	316	1	1	81002851/0	Hjulaxel.....	Wheel axle.....			
	317	2	2	12789000/0	Skruv.....	Screw.....			
X	318	1	1	381003331/0	Höjdinst.spak.....	Height adjust lever.....			
	319	2	2	12154330/0	Mutter.....	Nut.....			
	320	1	1	12293200/0	Mutter.....	Nut.....			
	321	1	1	22399812/0	Knopp.....	Knob.....			
	322	2	2	12735661/0	Skruv.....	Screw.....			
	323	2	2	22551529/0	Hjulrensare.....	Wheel cleaner.....			
	324	2	2	12521330/0	Bricka.....	Washer.....			
	325	1	1	22033329/0	Höjdinställn.stång.....	Height adjust rod.....			
	326	2	2	12604899/0	Låsbricka.....	Lock washer.....			
	327	1	1	22446184/0	Fjäder.....	Spring.....			
	328	2	2	12530150/0	Bricka.....	Washer.....			
	329	2	2	12521350/0	Bricka.....	Washer.....			
	330	2	2	12155000/0	Mutter.....	Nut.....			