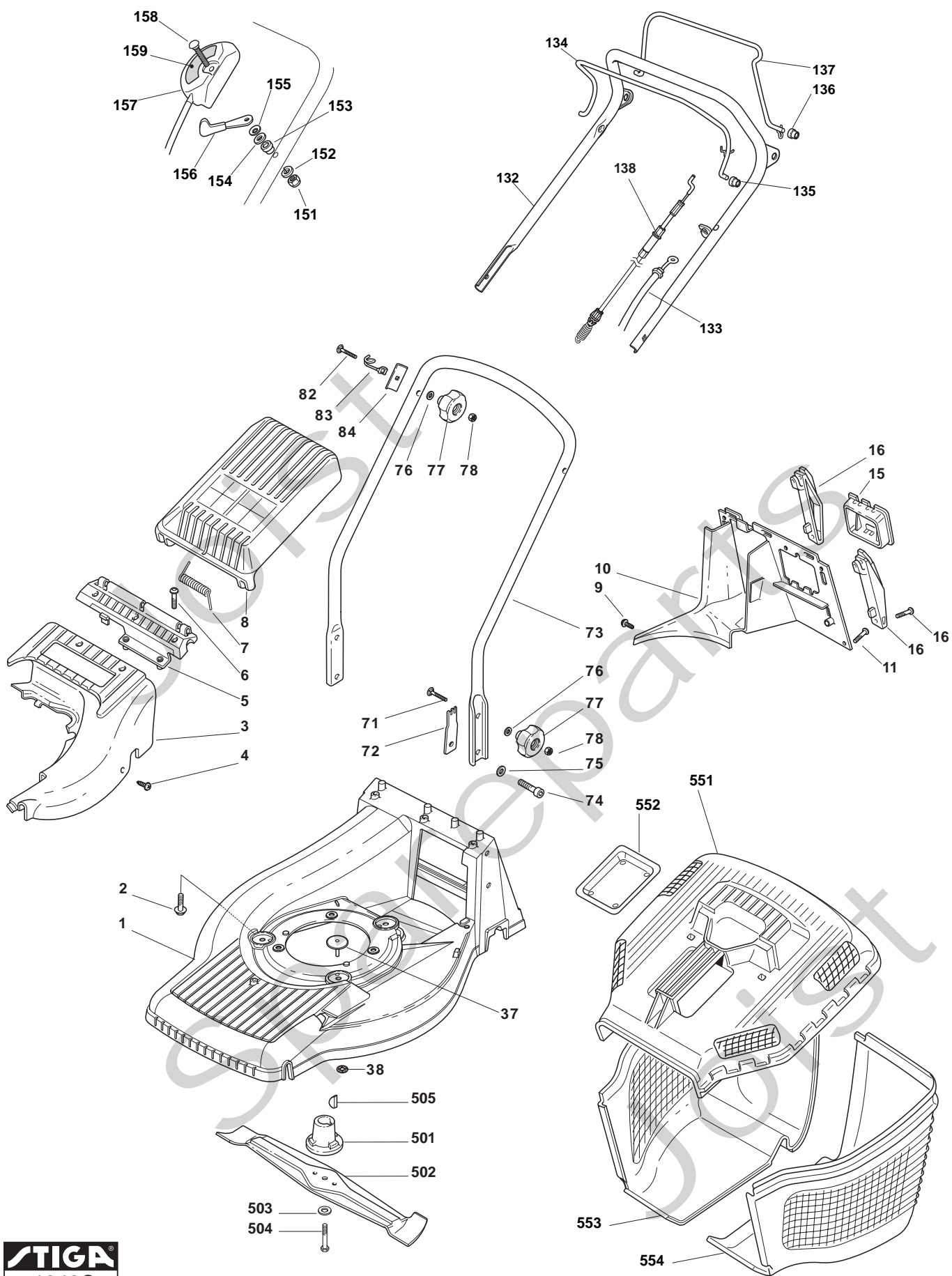


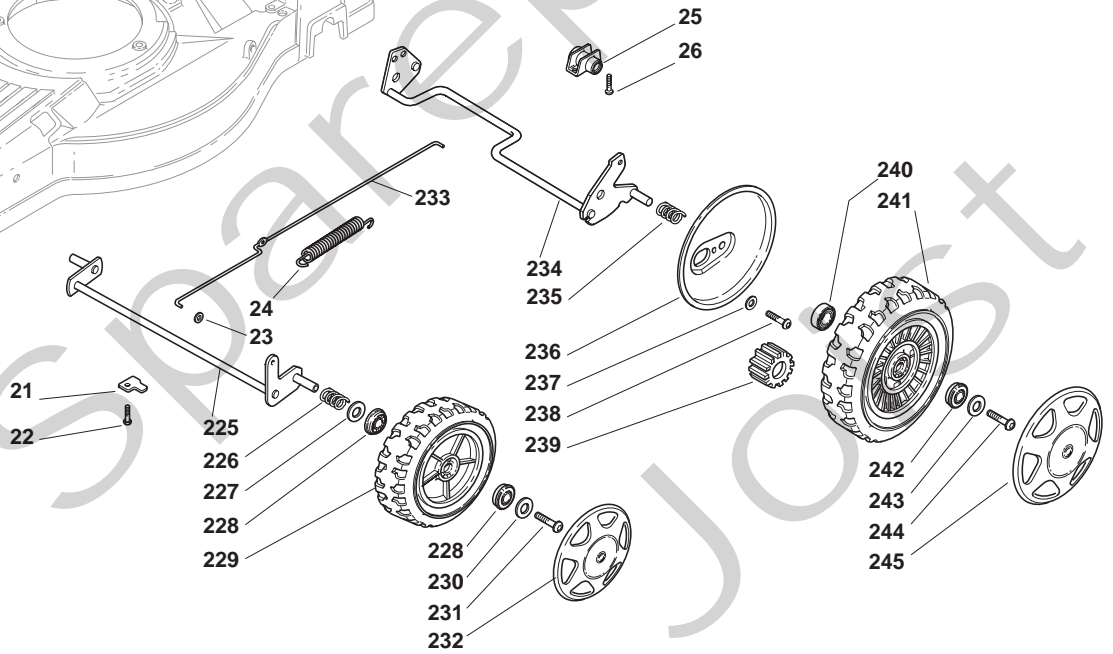
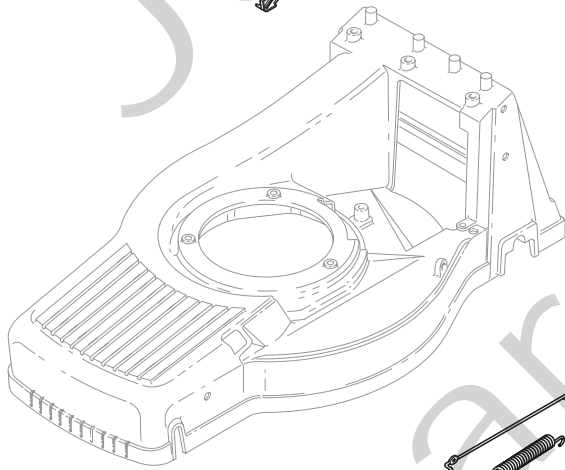
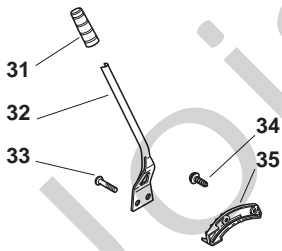
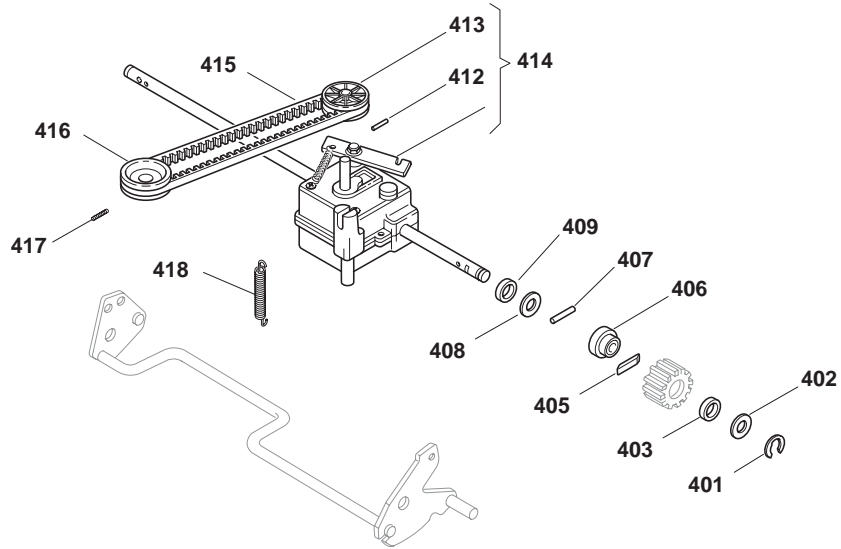
Genuine Spare Parts



Joist
Spareparts
Joist



Utgåva Issue		Bildnr Picture No		COLLECTOR 55S CHASSI STYRE		COLLECTOR 55S CHASSIS HANDLE		Sida Page	
2008- 12		1942C						196	
Pos. Fig.	Antal/Quantity				Art nr Part No	Benämning	Description	Sats Kit	Anmärkning Notes
	9234 -73								
X	1	1			81002660/0	Chassi- gul.....	Chassis- yellow		
X	2	3			112735108/1	Skruv	Screw		
	3	1			22060156/0	Kåpa- gul	Cover- yellow		
	4	3			12728300/0	Skruv	Screw		
	5	1			22785157/0	Luckfäste- gul	Support- yellow		
	6	3			12735664/0	Skruv	Screw		
	7	1			22450443/0	Fjäder.....	Spring		
	8	1			22600069/1	Lucka- gul.....	Stone guard		
	9	1			12728300/0	Skruv	Screw		
	10	1			22108277/0	Bakstam.....	Rear conveyor.....		
	11	3			12735664/0	Skruv	Screw		
	15	1			22109531/0	Lock.....	Cover		
	16	1			81008658/1	Fäste kpl	Attachments assy.....		
	37	1			22820055/0	Plugg- gul	Cap- yellow.....		
	38	1			12604899/0	Låsbricka	Lock washer.....		
	71	2			12820655/0	Skruv	Screw		
	72	2			22551635/0	Platta	Plate		
	73	1			81006641/0	Styre- underdel	Handle- lower		
	74	2			12760515/0	Skruv	Screw		
	75	2			12521350/0	Bricka	Washer.....		
	76	4			12521350/0	Bricka	Washer.....		
	77	4			22399810/0	Lås ratt	Locking knob		
	78	4			12361005/0	Mutter.....	Nut		
	82	2			12820655/0	Skruv	Screw		
	83	1			22430311/0	Ögla	Eyelink		
	84	2			22545137/0	Förstärkning	Reinforcement.....		
X	132	1			81007024/0	Styre- överdel	Handle- upper		
X	133	1			81000634/0	Motorbromswire.....	Engine brake cable		
	134	1			81003291/3	Reglagebygel	Control lever- engine		
	135	2			22041966/0	Bussning	Bush		
	136	2			22041965/1	Bussning	Bush		
	137	1			81003288/1	Reglagebygel	Control lever- drive.....		
X	138	1			381030008/0	Kopplingswire.....	Clutch cable		
	151	1			12291000/0	Mutter	Nut		
	152	1			12581500/0	Låsbricka	Washer.....		
	153	1			22171005/0	Distans	Spacer.....		
	154	1			12521360/0	Bricka	Washer.....		
	155	1			12508100/0	Låsbricka	Washer.....		
	156	1			81007220/0	Gasarm	Throttle lever.....		
	157	1			81007080/0	Gaswire	Throttle cable		
	158	1			12815000/0	Skruv	Screw		
	159	1			14356702/0	Dekal	Label		
	501	1			1111- 9070- 01	Knivfäste.....	Blade holder		
	502	1			1111- 9091- 01	Kniv	Blade		
	503	1			12530140/0	Bricka	Washer.....		
	504	1			12735698/0	Skruv	Screw		
	505	1			12139100/0	Kil	Key		
	551	1			22486096/1	Uppsamlare- överdel.....	Grassbox- upper.....		
	552	1			22486098/0	Platta	Plate		
	553	1			22486099/0	Uppsaml- underdel, hö	Grassbox- lower, RH		
	554	1			22486100/0	Uppsaml- underdel, vä.....	Grassbox- lower, LH.....		



Utgåva Issue 2008- 12		Bildnr Picture No 1945A		COLLECTOR 55S HJULUPPHÄNGNING TRANSMISSION		COLLECTOR 55S WHEEL SUSPENSION TRANSMISSION		Sida Page 198	
Pos. Fig.	Antal/Quantity				Art nr Part No	Benämning	Description	Sats Kit	Anmärkning Notes
	9234 -73								
21	2			22545160/0	Överfall	Clamp.....			
22	2			12735664/0	Skruv	Screw			
23	2			12604898/0	Starlock	Lock washer			
24	1			22446181/0	Fjäder.....	Spring			
25	2			22785153/0	Bussning	Bushing.....			
26	4			12735664/0	Skruv	Screw			
31	1			22399808/0	Handtag	Handgrip			
32	1			22321515/0	Höjdinst.spak.....	Height adjust lever			
33	2			12735661/0	Skruv	Screw			
34	2			12728300/0	Skruv	Screw			
35	1			22735563/0	Höjdinst.sektor	Height adjust sector			
225	1			81002847/0	Hjulaxel.....	Wheel axle.....			
226	2			22430210/0	Fjäder.....	Spring			
227	2			12521370/0	Bricka	Washer			
228	4			22122200/0	Kullager	Ball bearing			
229	2			81007351/0	Hjul	Wheel			
230	2			12521460/0	Bricka	Washer			
231	2			12735662/0	Skruv	Screw			
232	2			22110394/0	Navkapsel	Hub cap			
233	1			22033323/0	Höjdinst.stång	Height adjust rod			
234	1			81002823/0	Hjulaxel.....	Wheel axle.....			
235	2			22430215/0	Fjäder.....	Spring			
236	2			22600121/0	Hjulskydd.....	Wheel protection.....			
237	2			12521460/0	Bricka	Washer			
238	2			12735662/0	Skruv	Screw			
239	2			22570125/0	Drev	Pinion			
240	2			19216038/0	Lager	Bearing.....			
241	2			81007362/0	Hjul	Wheel			
242	2			22122201/0	Kullager	Ball bearing			
243	2			12521460/0	Bricka	Washer			
244	2			12735662/0	Skruv	Screw			
245	2			22110345/0	Navkapsel	Hub cap			
401	2			12000957/0	Låsring	Lock ring			
402	2			12520032/0	Bricka	Washer			
403	2			22160520/0	Skyddsbricka	Dust cover			
405	2			22076645/0	Kil	Key			
406	2			22170630/0	Distans	Spacer			
407	2			22753002/0	Stift	Pin			
408	2			12520032/0	Bricka	Washer			
409	2			19035152/0	Tätningarring	Seal ring.....			
412	1			12620310/0	• Stift	• Pin.....			
413	1			22601913/0	• Remskiva	• Belt pulley			
414	1			81003085/0	Transmission kpl	Transmission assy			
415	1			1111-9167-01	Drivrem	Belt.....			
416	1			22601918/0	Remskiva	Belt pulley			
417	1			12714312/0	Stift	Dowel pin			
418	1			22450434/0	Fjäder.....	Spring			