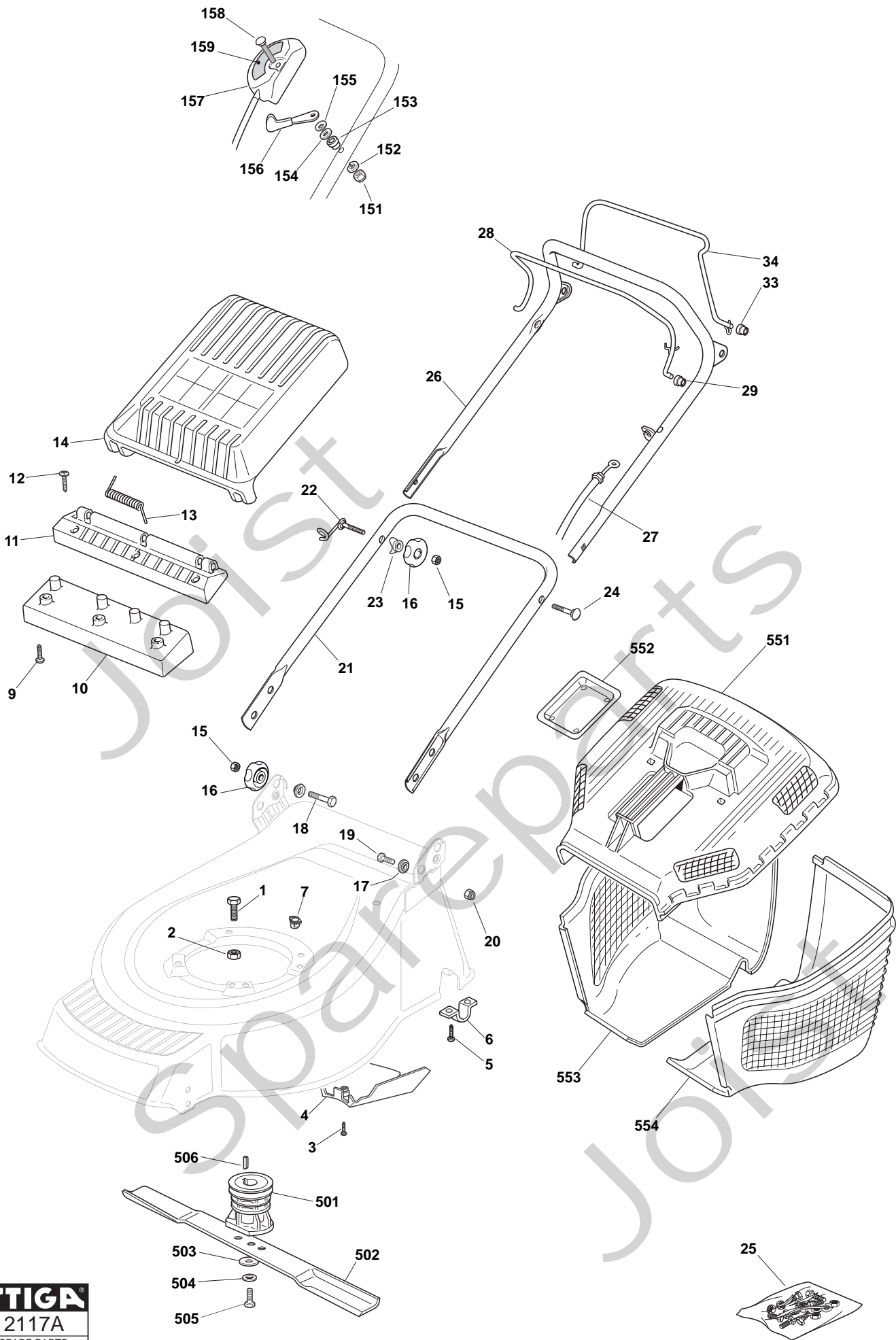


Genuine Spare Parts

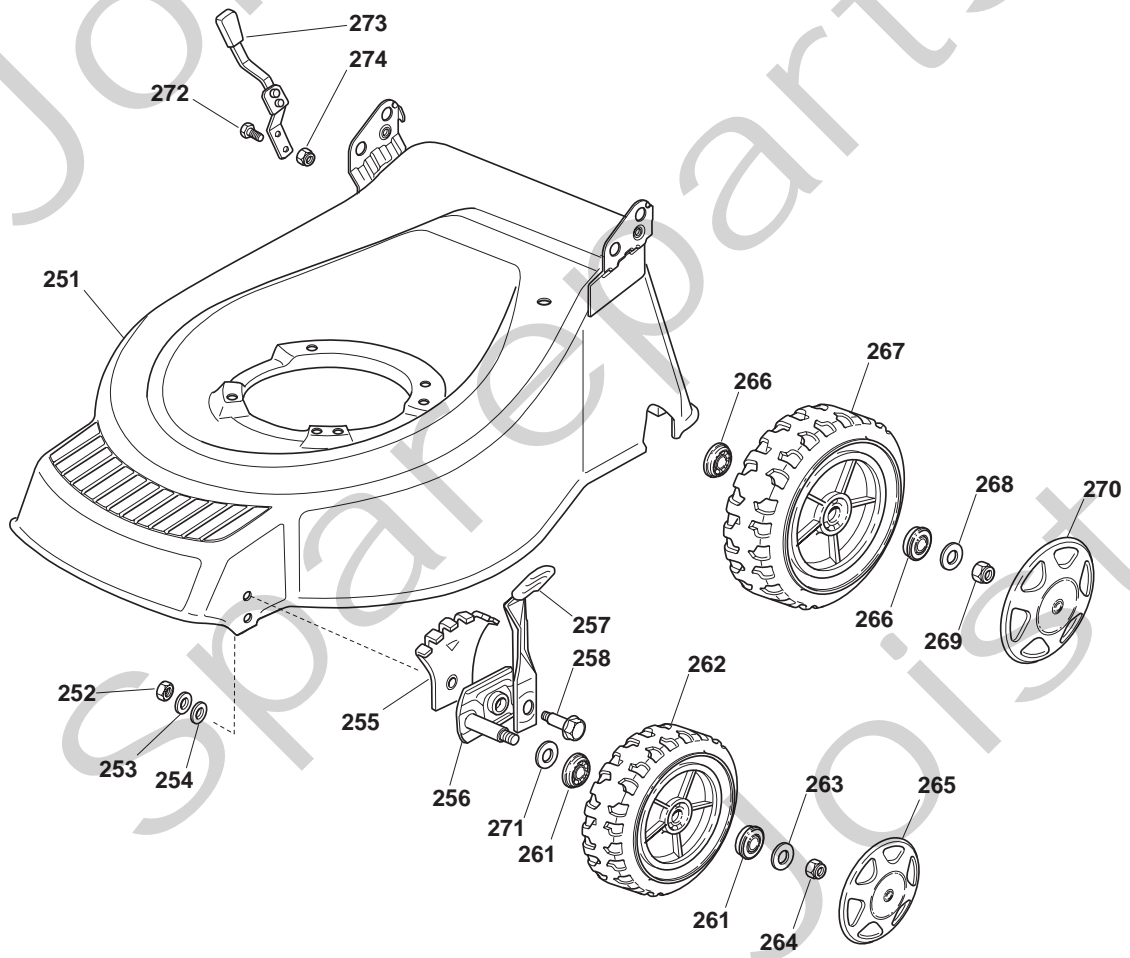
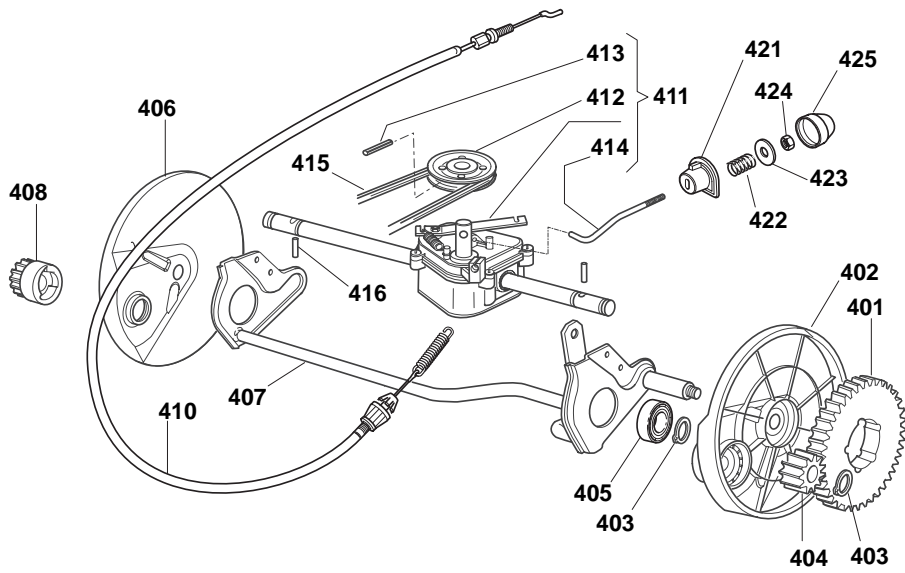


Joist
Spareparts
Joist



Utgåva Issue		Bildnr Picture No		COLLECTOR 48S CHASSI STYRE		COLLECTOR 48S CHASSIS HANDLE		Sida Page	
2008- 12		2117A						110	
Pos. Fig.	Antal/Quantity				Art nr Part No	Benämning	Description	Sats Kit	Anmärkning Notes
	7235 -86								
1	0/1			12691800/0	Skruv	Screw			
1	3/2			12793701/0	Skruv	Screw			
2	0/1			12155000/0	Mutter	Nut			
2	3/2			12293201/0	Mutter	Nut			
3	1			12727791/0	Skruv	Screw			
4	1			22060192/0	Remskydd	Belt guard			
5	4			12731350/0	Skruv	Screw			
6	2			22545152/0	Bygel	Plate			
7	1			22291150/0	Gummihylsa	Rubber insert			
9	3			12731600/1	Skruv	Screw			
10	1			22785129/0	Fäste	Bag holder			
11	1			22785117/0	Luckhållare	Fulcrum			
12	3			12728680/0	Skruv	Screw			
13	1			22450430/0	Fjäder	Spring			
14	1			22600069/1	Lucka- gul	Stone guard			
15	4			12293200/0	Mutter	Nut			
16	4			322399804/1	Lås ratt	Locking knob			
17	4			22041955/0	Bussning	Bush			
18	2			12793700/0	Skruv	Screw			
19	2			12792610/0	Skruv	Screw			
20	2			12155000/0	Mutter	Nut			
21	1			81006512/0	Styre- underdel	Handle- lower			
22	1			81003801/1	Snörhållare	Rope holder			
23	2			22680006/1	Bricka	Washer			
24	1			12819201/0	Skruv	Screw			
25	1			81008614/3	Skrivsats	Screw set			
26	1			81007024/0	Styre- överdel	Handle- upper			
27	1			81000611/0	Motorbromswire	Engine brake cable			
28	1			81003291/3	Reglagebygel	Control lever- engine			
29	2			22041966/0	Bussning	Bush			
33	2			22041965/1	Bussning	Bush			
34	1			81003288/1	Reglagebygel	Control lever- drive			
151	1			12291000/0	Mutter	Nut			
152	1			12581500/0	Låsbricka	Washer			
153	1			22171005/0	Distans	Spacer			
154	1			12521360/0	Bricka	Washer			
155	1			12508100/0	Låsbricka	Washer			
156	1			81007220/0	Gasarm	Throttle lever			
157	1			81007080/0	Gaswire	Throttle cable			
158	1			12815000/0	Skruv	Screw			
159	1			14356702/0	Dekal	Label			
501	1			1111- 9120- 01	Knivfäste m.remskiva	Hub w. pulley			
502	1			1111- 9121- 01	Kniv	Blade			
503	1			22160400/0	Bricka	Elastic washer			
504	1			12523080/0	Bricka	Washer			
505	1			12735698/0	Skruv	Screw			
506	1			12139100/0	Kil	Key			
551	1			22486096/1	Uppsamlare- överdel	Grassbox- upper			
552	1			22486098/0	Platta	Plate			
553	1			22486099/0	Uppsaml- underdel, hö	Grassbox- lower, RH			
554	1			22486100/0	Uppsaml- underdel, vä	Grassbox- lower, LH			

X



Utgåva Issue 2008- 12		Bildnr Picture No 2119A		COLLECTOR 48S MULTIMOWER 48S HJULUPPHÄNGNING TRANSMISSION		COLLECTOR 48S MULTIMOWER 48S WHEEL SUSPENSION TRANSMISSION		Sida Page 114	
Pos. Fig.	Antal/Quantity			Art nr Part No	Benämning	Description	Sats Kit	Anmärkning Notes	
	7235 -86	3234 -15							
251	1	1		81002974/0	Chassi- gul.....	Chassis- yellow			
252	2	2		12293200/0	Mutter.....	Nut			
253	2	2		12583500/0	Låsbricka.....	Washer.....			
254	2	2		12523070/0	Bricka.....	Washer.....			
255	2	2		22735547/0	Höjdinställ.sektor.....	Height adjust sector.....			
256	2	2		81005082/0	Hjulfäste.....	Wheel support.....			
257	2	2		81003285/1	Höjdinställ.spak.....	Height adjust lever.....			
258	2	2		22519811/0	Bult.....	Bolt.....			
261	4	4		22122200/0	Kullager.....	Ball bearing.....			
262	2	2		81007351/0	Hjul.....	Wheel.....			
263	2	2		12521350/0	Bricka.....	Washer.....			
264	2	2		12155000/0	Mutter.....	Nut.....			
265	2	2		22110394/0	Navkapsel.....	Hub cap.....			
266	4	4		22122200/0	Kullager.....	Ball bearing.....			
267	2	2		81007343/0	Hjul.....	Wheel.....			
268	2	2		12369500/0	Bricka.....	Washer.....			
269	2	2		12155000/0	Mutter.....	Nut.....			
270	2	2		22110309/0	Navkapsel.....	Hub cap.....			
271	2	2		12530150/0	Bricka.....	Washer.....			
272	2	2		12789000/0	Skruv.....	Screw.....			
273	1	1		81003279/2	Spak.....	Lever.....			
274	2	2		12154330/0	Mutter.....	Nut.....			
401	2	2		22120105/1	Ringdrev.....	Ring gear.....			
402	1	1		22600093/0	Hjulskydd.....	Wheel cover.....			
403	4	4		12608600/0	Låsring.....	Seegerring.....			
404	1	1		22570120/1	Drev- vä.....	Pinion- LH.....			
405	2	2		19216035/0	Lager.....	Bearing.....			
406	1	1		22600092/0	Hjulskydd.....	Wheel cover.....			
407	1	1		81000147/0	Bakaxel.....	Rear axle.....			
408	1	1		22570110/1	Drev- hö.....	Pinion- RH.....			
410	1			81000668/1	Kopplingswire.....	Clutch cable.....			
410		1		81000675/0	Kopplingswire.....	Clutch cable.....			
411	1	1		81003076/0	Transmission (svart).....	Transmission (black).....			
412	1	1		22601904/0	• Remskiva.....	• Belt pulley.....		Inkl. pos 412 - 414	
413	1	1		12645705/0	• Stift.....	• Pin.....			
414	1	1		22033283/0	• Justerstång.....	• Adjustment rod.....			
415	1	1		1111- 9123- 01	Drivrem.....	Drive belt.....			
416	2	2		22753000/0	Stift.....	Pin.....			
421	1	1		22041957/1	Bussning.....	Bush.....			
422	1	1		22450063/0	Fjäder.....	Spring.....			
423	1	1		22680009/0	Bricka.....	Washer.....			
424	1	1		12154510/0	Mutter.....	Nut.....			
425	1	1		22110230/0	Lock.....	Cap.....			