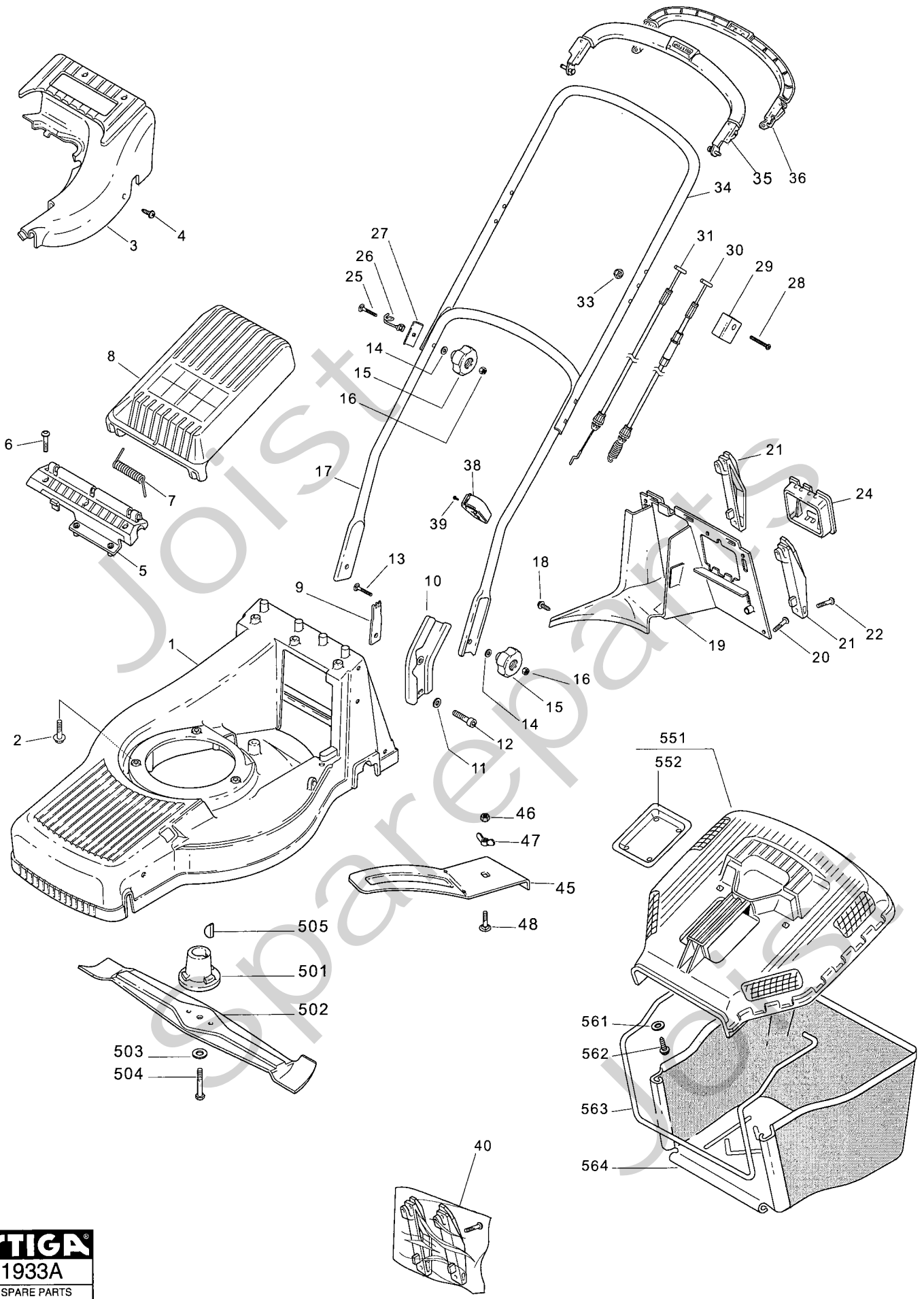


# Genuine Spare Parts

---



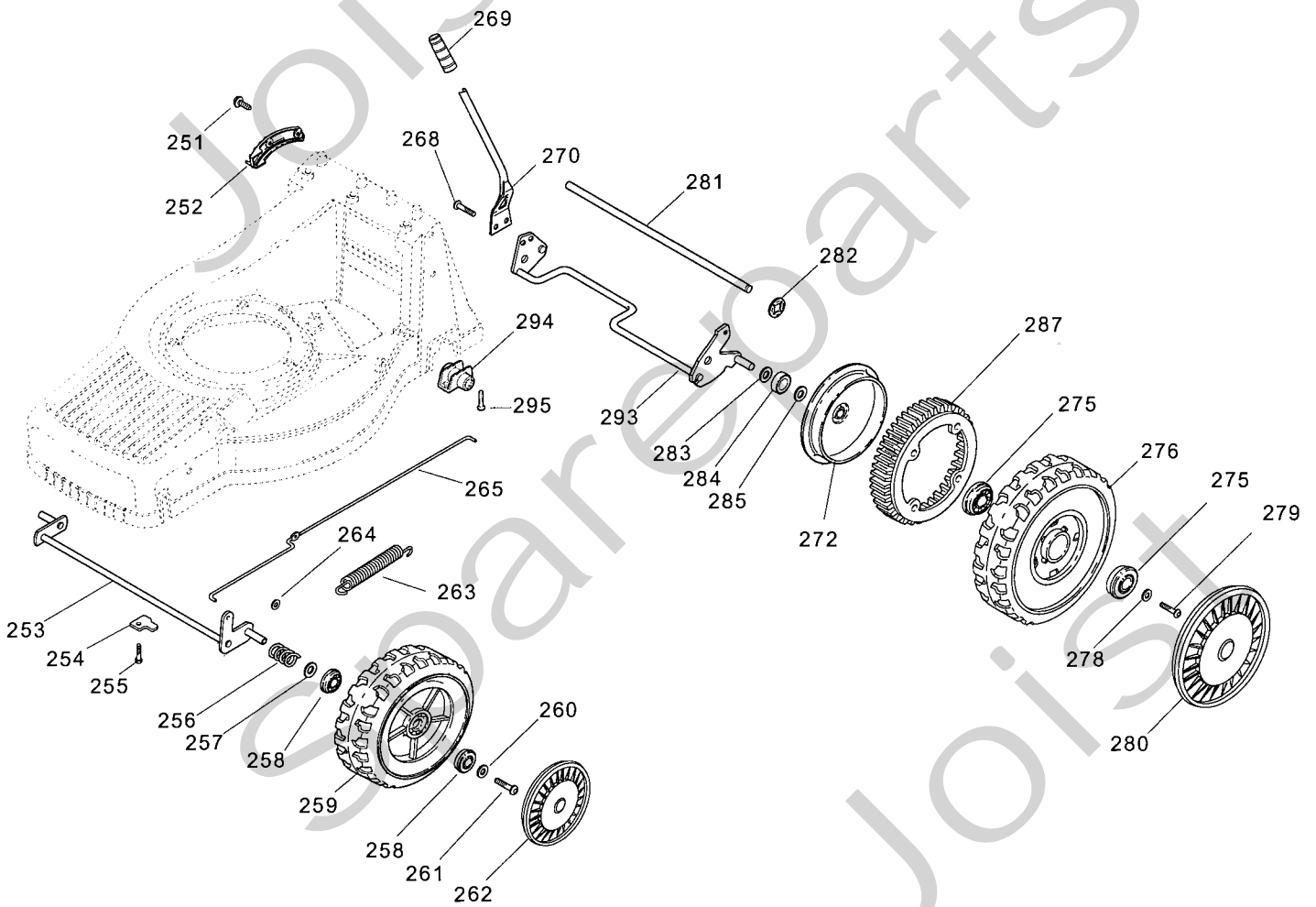
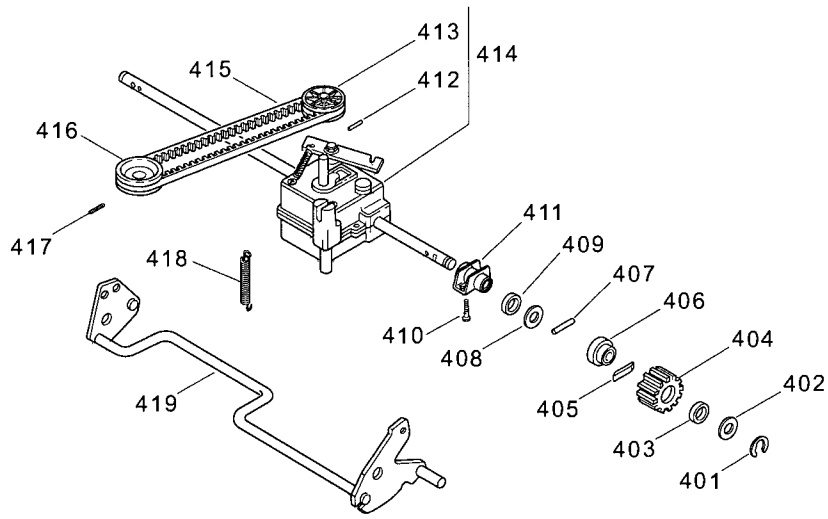
Joist  
Spareparts  
Joist



Utgåva Issue 2006- 12	Bildnr Picture No 1933A	TURBO 45 COMBI TURBO 45S COMBI CHASSI STYRE	TURBO 45 COMBI TURBO 45S COMBI CHASSIS HANDLE	Sida Page 154
-----------------------------	-------------------------------	--	--	---------------------

Pos. Fig.	Antal/Quantity		Art nr Part No	Benämning	Description	Sats Kit	Anmärkning Notes
	1181 -20	1281 -10					
1	1	1	1111-3100-01	Chassi- gul.....	Chassis- yellow .....		
2	3	3	9955-3732-12	Skruv .....	Screw .....		
3	1	1	1111-3102-01	Täckåpa- gul.....	Cover- yellow .....		
4	3	3	9838-9522-12	Skruv .....	Screw .....		
5	1	1	1111-3104-01	Luckinfästning- gul.....	Flap attachm.- yellow .....		
6	3	3	9947-0616-16	Skruv .....	Screw .....		
7	1	1	1111-3181-01	Fjäder.....	Spring .....		
8	1	1	1111-3282-01	Lucka- gul.....	Flap- yellow .....		
9	1	1	1111-3024-01	Fästplatta .....	Attachment plate .....		
10	2	2	1111-3021-01	Styrinfästning .....	Handlebar attachment .....		
11	2	2	9699-0028-02	Planbricka.....	Flat washer .....		
12	2	2	9939-0820-16	Skruv .....	Screw .....		
13	2	2	9899-3557-12	Skruv .....	Screw .....		
14	4	4	9699-0028-02	Planbricka.....	Flat washer .....		
15	4	4	1111-3023-01	Låsratt .....	Locking knob .....		
16	4	4	9795-3531-02	Mutter.....	Nut .....		
17	1	1	1111-3113-01	Styre- underdel .....	Handlebar- lower part .....		
18	1	1	9838-9522-12	Skruv .....	Screw .....		
19	1	1	1111-3337-01	Bakstam.....	Rear attachment .....		
20	3	3	9947-0616-16	Skruv .....	Screw .....		
21	1	1	1136-2044-01	Hållare, vä+hö.....	Attachment, LH+RH .....		
22	4	4	9836-9520-12	Skruv .....	Screw .....		
24	1	1	1111-2927-01	Batterihållare .....	Battery holder .....		
25	2	2	9899-3557-12	Skruv .....	Screw .....		
26	1	1	1111-3062-01	Ögla .....	Eyelink .....		
27	2	2	1111-0178-00	Förstärkning .....	Reinforcement .....		
28	1	1	9948-0640-16	Skruv .....	Screw .....		
29	1	1	1111-2969-01	Wirefäste .....	Cable attachment .....		
30	1	1	1111-3388-02	Kopplingswire.....	Clutch cable .....		
31	1	1	1111-2968-01	Motorbromswire.....	Engine brake cable .....		
33	1	1	9747-0631-02	Låsmutter .....	Lock nut .....		
34	1	1	1111-3112-01	Styre- överdel .....	Handlebar- upper part .....		
35	1	1	1111-2953-01	Manöverbygel.....	Control handle .....		
36	1	1	1111-2954-01	Manöverbygel.....	Control handle .....		
38	1	1	1111-2018-01	Kabelhållare .....	Cable holder .....		
39	1	1	9836-9216-12	Skruv .....	Screw .....		
40	1	1	1111-3569-01	Tillbehörspåse .....	Accessory bag .....		
45	1	1	1111-3336-01	Mulcher plugg .....	Mulch plug .....		
46	1	1	9799-0831-02	Mutter .....	Nut .....		
47	1	1	1134-4481-01	Vingmutter.....	Wing nut .....		
48	1	1	1136-0825-01	Skruv .....	Screw .....		
501	1	1	1111-9070-01	Knivfäste.....	Blade holder .....		
502	1	1	1111-9089-01	Kniv .....	Blade .....		
503	1	1	9696-0011-01	Bricka .....	Washer .....		
504	1	1	9987-5251-12	Skruv .....	Screw .....		
505	1	1	9600-0014-00	Kil .....	Key .....		
551	1	1	1117-1345-01	Uppsamlarlock- gul.....	Top collector- yellow .....		
552	1	1	1111-2764-01	• Täckbricka .....	• Cover .....		
561	2	2	9699-0100-02	Bricka .....	Washer .....		
562	2	2	9838-9522-12	Skruv .....	Screw .....		
563	1	1	1111-3109-01	Trådbygel.....	Wire clamp .....		
564	1	1	1111-3108-01	Uppsamlingsäck .....	Collecting bag .....		

X



Utgåva Issue 2006-12	Bildnr Picture No 2139	TURBO 45 COMBI TURBO 45S COMBI TRANSMISSION HJULUPPHÄNGNING	TURBO 45 COMBI TURBO 45S COMBI TRANSMISSION WHEEL SUSPENSION	Sida Page 156
----------------------------	------------------------------	--	---	---------------------

Pos. Fig.	Antal/Quantity		Art nr Part No	Benämning	Description	Sats Kit	Anmärkning Notes
	1181 -20	1281 -10					
X 251	2	2	9838-9522-12	Skruv .....	Screw .....		
252	1	1	1111-2798-01	Höjdinst. segment .....	Height adj. quadrant .....		
253	1	1	1136-2039-01	Framaxel .....	Front axle .....		
254	2	2	1111-1504-01	Överfall .....	Retainer .....		
255	2	2	9947-0616-16	Skruv .....	Screw .....		
256	2	2	1111-1138-01	Fjäder .....	Spring .....		
257	2	2	9699-0037-02	Bricka .....	Washer .....		
258	4	4	1136-0655-01	Kullager .....	Ball bearing .....		
259	2	2	1136-1520-01	Hjul .....	Wheel .....		
260	2	2	9699-0100-02	Bricka .....	Washer .....		
261	2	2	9943-0612-16	Skruv .....	Screw .....		
262	2	2	1136-1508-01	Navkapsel-grå .....	Hub cap-grey .....		
263	1	1	1111-2819-01	Fjäder .....	Spring .....		
264	2	2	9675-0011-00	Starlock .....	Starlock .....		
265	1	1	1111-2818-02	Dragstång .....	Height adjusting rod .....		
268	2	2	9943-0610-16	Skruv .....	Screw .....		
269	1	1	1111-2817-01	Handtag .....	Lever knob .....		
270	1	1	1111-2816-01	Spak .....	Height adj.lever .....		
272	2	2	1111-2782-01	Täckbricka .....	Wheel cover .....		
275	4	4	1136-0655-01	Kullager .....	Ball bearing .....		
X 276	2	2	1136-2037-01	Hjul .....	Wheel .....		
278	2	2	9699-0100-02	Bricka .....	Washer .....		
279	2	2	9943-0612-16	Skruv .....	Screw .....		
280	2	2	1136-1509-01	Navkapsel-grå .....	Hub cap-grey .....		
281	1	1	1111-2924-02	Axel .....	Axle .....		
282	2	2	1117-1356-01	Låsbricka .....	Lock washer .....		
283	2	2	9695-0013-00	Bricka .....	Washer .....		
X 284	2	2	1136-2036-01	Distans .....	Spacer .....		
285	2	2	9694-0003-00	Bricka .....	Washer .....		
X 287	2	2	1136-2035-01	Kuggkrans .....	Sprocket .....		
X 293	1	1	1136-2038-01	Bakaxel .....	Rear axle .....		
294	2	2	1111-2814-01	Bussning .....	Bushing .....		
295	4	4	9947-0616-16	Skruv .....	Screw .....		
401		2	9652-0010-04	Låsring .....	Snap ring .....		
402		2	9695-0013-00	Bricka .....	Washer .....		
403		2	1111-2830-01	Stödbricka .....	Support washer .....		
404		2	1111-3075-01	Kugghjul- plasthjul .....	Pinion- plastic wheel .....		
405		2	1111-3256-01	Drivkil .....	Drive key .....		
406		2	1111-2829-01	Låsbricka .....	Lock washer .....		
407		2	1111-2382-01	Cyl.pinne .....	Pin .....		
408		2	9695-0013-00	Bricka .....	Washer .....		
409		2	9404-0083-00	Tätningring .....	Seal ring .....		
410		4	9947-0616-16	Skruv .....	Screw .....		
411		2	1111-2814-01	Bussning .....	Bushing .....		
412		1	9595-0235-00	• Spännstift .....	• Locating pin .....		
413		1	1111-3440-01	• Remskiva .....	• Belt pulley .....		
414		1	1111-3402-01	Transmission kpl .....	Transmission assy .....	Inkl. pos 412 - 413	
415		1	1111-9053-01	Drivrem .....	Drive belt .....		
416		1	1111-2915-01	Motorremskiva .....	Engine belt pulley .....		
417		1	9910-0612-16	Stoppskruv .....	Set screw .....		
418		1	1111-2822-01	Dragfjäder .....	Tension spring .....		
X 419		1	1136-2038-01	Bakaxel .....	Rear axle .....		