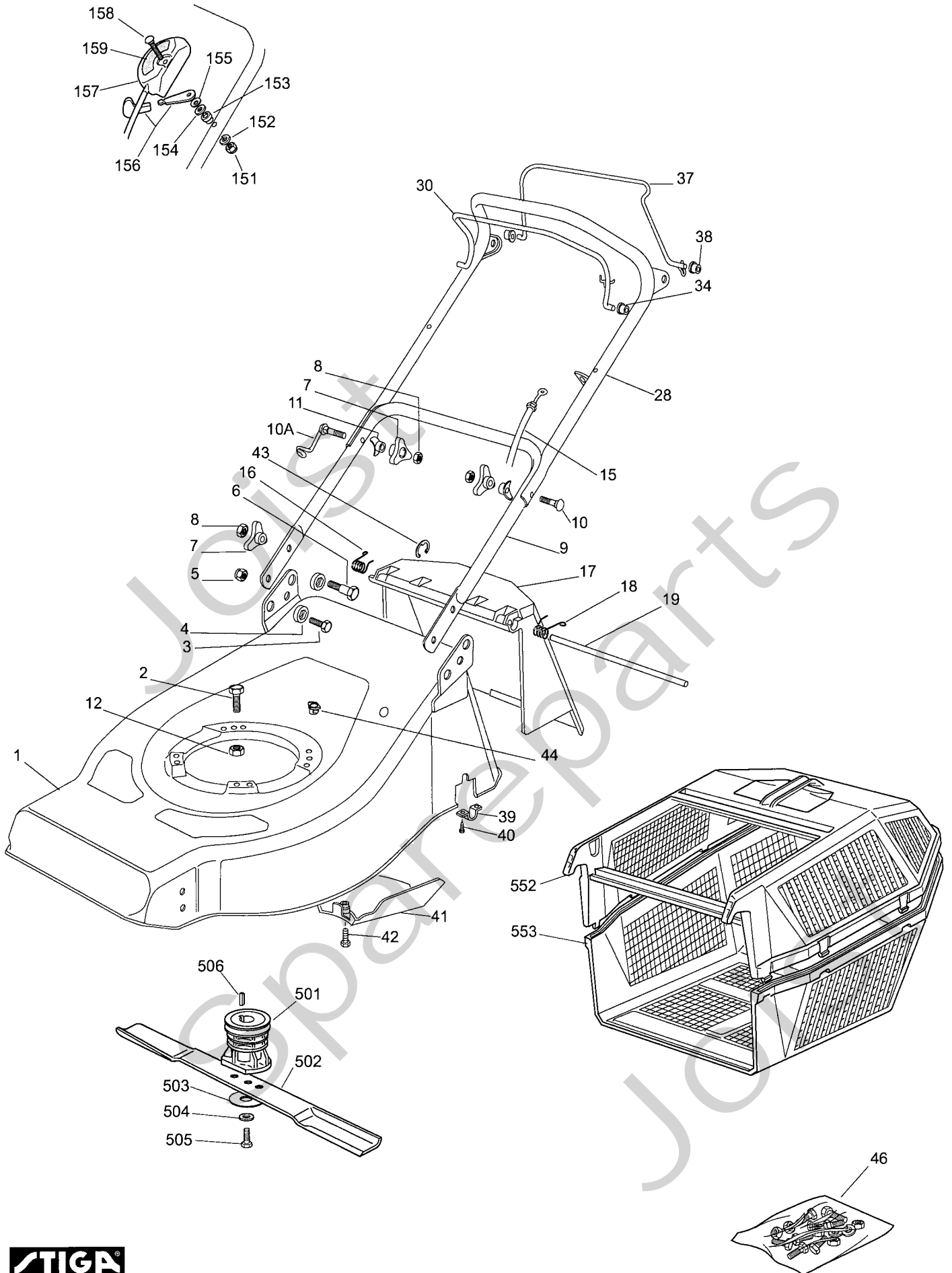


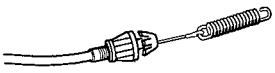

Genuine Spare Parts

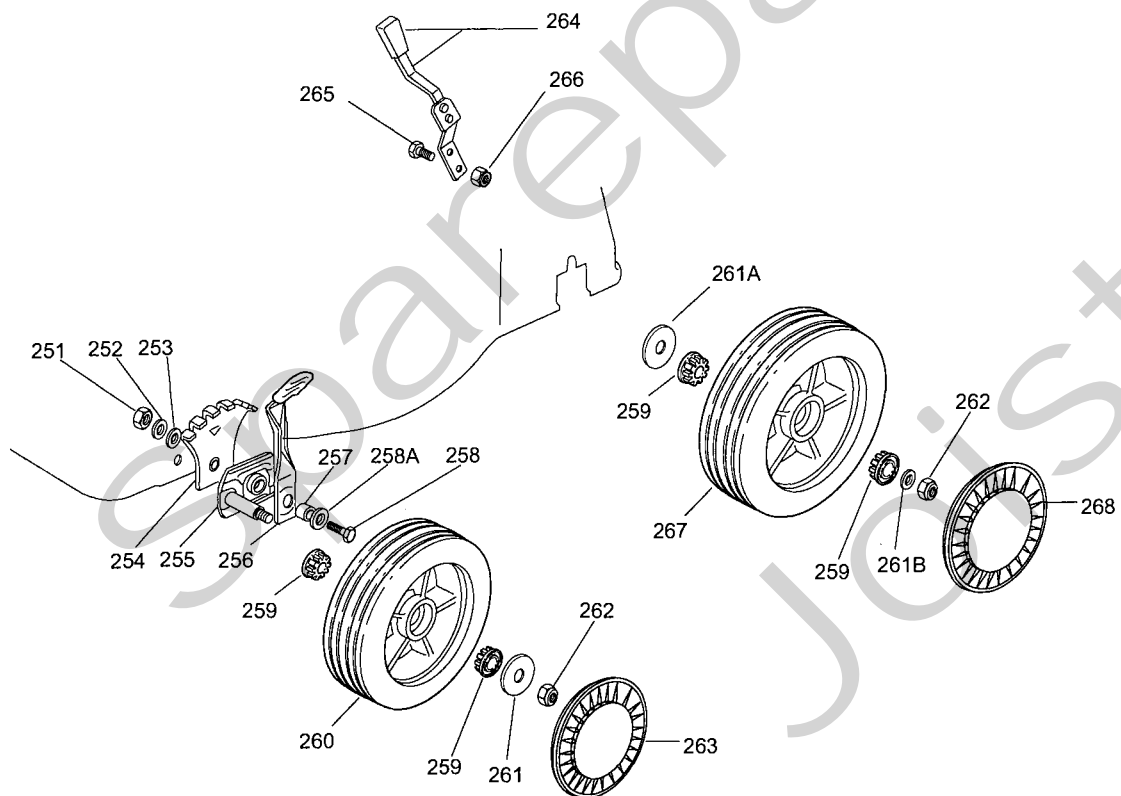
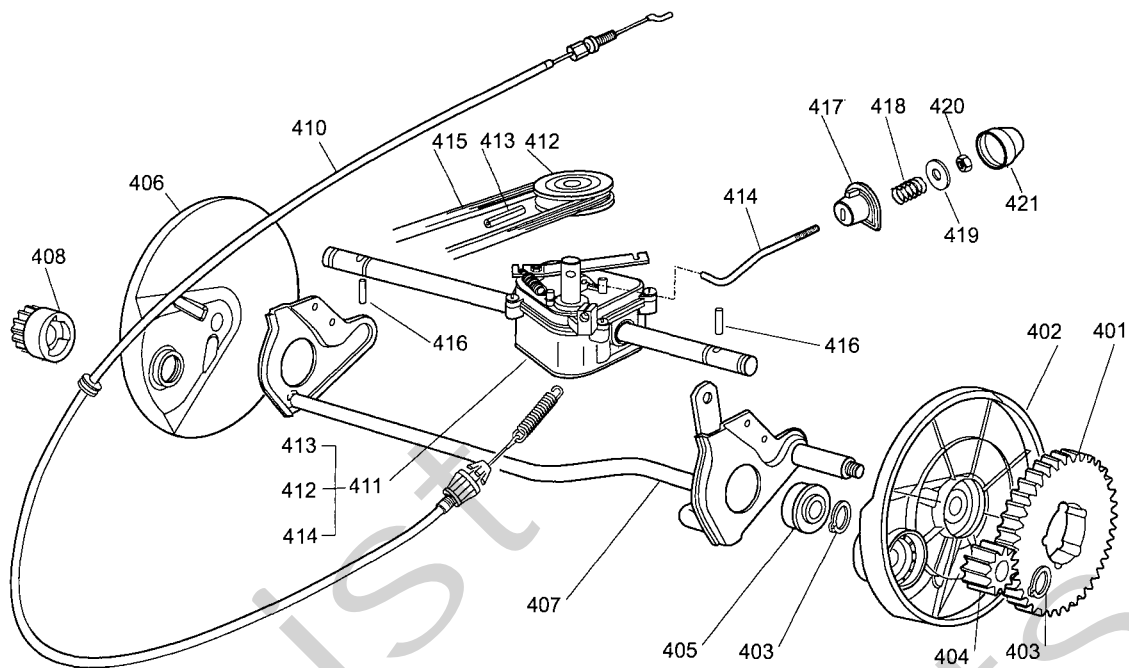


Joist
Spareparts
Joist



Utgåva Issue		Bildnr Picture No		IGL 35SP CHASSI STYRE		IGL 35SP CHASSIS HANDLE		Sida Page	
2006- 12		1385B						106	
Pos. Fig.	Antal/Quantity			Art nr Part No	Benämning	Description	Sats Kit	Anmärkning Notes	
	3734 -01								
X	1	1		1136-2445-01	Chassi- gul.....	Chassis- yellow			
	2	3/2		9997-0830-16	Skruv	Screw		L = 30 mm	
		0/1		9997-0860-16	Skruv	Screw		L = 60 mm	
	3	2		9997-0816-16	Skruv	Screw			
	4	4		1111-3554-01	Bussning	Bushing			
	5	2		9747-0831-02	Mutter	Lock nut			
	6	2		1136-0617-01	Skruv	Screw			
	7	4		1136-0666-01	Lås ratt	Knob			
	8	4		9799-0831-02	Mutter	Nut			
	9	1		1136-0758-01	Styre- underdel	Handle- lower			
	10	1		1136-0620-01	Skruv	Screw			
	10A	1		1136-0747-01	Skruv m. ögla	Screw w. loop			
	11	2		1136-0693-01	Bricka	Washer			
	12	3/2		9739-0831-22	Mutter	Nut			
	12	0/1		9747-0831-02	Mutter	Lock nut			
X	15	1		1136-2418-01	Motorbromswire.....	Engine brake cable.....			
	16	1		1111-3530-01	Fjäder- hö.....	Spring- RH			
	17	1		1136-0686-01	Lucka- svart	Stone guard- black			
	18	1		1111-3531-01	Fjäder- vä.....	Spring- LH.....			
	19	1		1136-0680-01	Pivotaxel	Pivot pin			
	28	1		1136-0763-01	Styre- överdel	Handle- upper.....			
	30	1		1136-0746-01	Motorbromsbygel.....	Engine brake lever.....			
	34	2		1136-0640-01	Bussning	Bush.....			
	37	1		1136-0745-01	Drivbygel	Drive lever.....			
	38	2		1136-0639-01	Bussning	Bush.....			
	39	2		1136-0682-01	Bygel	Plate.....			
	40	4		9847-8119-16	Skruv	Screw.....			
	41	1		1136-0643-01	Remskydd	Belt protection.....			
	42	1		1136-0614-01	Skruv	Screw.....			
	43	1		1136-0603-01	Låsring	Snap ring.....			
	44	1		1136-0665-01	Gummihylsa	Rubber insert			
	46	1		1136-0776-01	Skrivsats.....	Screw set.....			
	151	1		1136-0604-01	Mutter	Nut.....			
	152	1		1136-0611-01	Låsbricka.....	Grower.....			
	153	1		1136-0659-01	Distans	Spacer.....			
	154	1		9699-0035-02	Planbricka.....	Flat washer.....			
	155	1		1136-0606-01	Fjäderbricka.....	Spring washer.....			
	156	1		1136-0766-01	Gasreglagearm	Throttle lever.....			
	157	1		1136-0764-01	Gasreglagekabel	Throttle cable			
	158	1		1136-0618-01	Skruv	Screw.....			
	159	1		1136-1857-01	Dekal	Label.....			
	501	1		1111-9120-01	Knivfäste m.remskiva	Hub w. pulley			
	502	1		1111-9121-01	Kniv	Blade			
	503	1		1136-0083-01	Fjäderbricka	Elastic washer			
	504	1		1136-0015-01	Bricka	Washer.....			
	505	1		9987-5251-12	Skruv	Screw.....			
	506	1		9600-0014-00	Kil	Key.....			
	552	1		1136-0676-01	Uppsamlingskorg- övre	Grass box- upper.....			
	553	1		1136-0677-01	Uppsamlingskorg- undre	Grass box- lower.....			

410 FRANCE REDUCTEURS	410 BI. CI. DI.
	



Utgåva Issue 2006-12		Bildnr Picture No 1386C		IGL 35SP TRANSMISSION HJULUPPHÄNGNING		IGL 35SP TRANSMISSION WHEEL SUSPENSION		Sida Page 108	
Pos. Fig.	Antal/Quantity			Art nr Part No	Benämning	Description	Sats Kit	Anmärkning Notes	
	3734 -01								
	251	2		9799-0831-02	Mutter.....	Nut.....			
	252	2		9683-0030-02	Låsbricka.....	Lock washer.....			
	253	2		1136-0014-01	Bricka.....	Washer.....			
	254	2		1136-0696-01	Höjdinställn.sektor.....	Wheel adjust sector.....			
	255	2		1136-0754-01	Hjulstöd.....	Wheel support.....			
	256	2		1136-0744-01	Höjdinställningsspak.....	Height adjust lever.....			
	257	2		1136-0084-01	Distans.....	Spacer.....			
	258	2		9997-0830-16	Skruv.....	Screw.....			
	258 A	2		9699-0028-02	Planbricka.....	Flat washer.....			
	259	8		1136-0634-01	Bussning.....	Bush.....			
	260	2		1136-0768-01	Hjul.....	Wheel.....			
	261	2		9699-0056-02	Planbricka.....	Flat washer.....			
	261 A	2		1136-0857-01	Bricka.....	Washer.....			
	261 B	2		1136-0309-01	Bricka.....	Washer.....			
	262	4		9747-0831-02	Mutter.....	Lock nut.....			
X	263	2		1136-2443-01	Navkapsel- gul.....	Hub cap- yellow.....			
	264	1		1136-0742-01	Höjdinställningsspak.....	Height adjust lever.....			
	265	2		9997-0512-16	Skruv.....	Screw.....			
	266	2		9747-0531-02	Mutter.....	Nut.....			
	267	2		1136-0769-01	Hjul.....	Wheel.....			
X	268	2		1136-2444-01	Navkapsel- gul.....	Hub cap- yellow.....			
	401	2		1136-0653-01	Kuggkrans.....	Ring gear.....			
	402	1		1136-0690-01	Hjulskydd.....	Wheel protection.....			
	403	4		9650-0012-04	Seegersäkring.....	Circlip.....			
	404	1		1136-0685-01	Drev- vä.....	Pinion- LH.....			
	405	2		1136-0632-01	Lager.....	Bearing.....			
	406	1		1136-0689-01	Hjulskydd.....	Wheel protection.....			
	407	1		1136-0713-01	Bakaxel.....	Rear wheel axle.....			
	408	1		1136-0684-01	Drev- hö.....	Pinion- RH.....			
	410	1		1136-1455-01	Kopplingswire.....	Clutch cable.....		Bi.Ci.Di	
	410	1		1136-1459-01	Kopplingswire.....	Clutch cable.....		France Reducteurs	
	411	1		1136-1456-01	Transmission kpl (sv).....	Gearbox assy (black).....		France Reducteurs	
	411	1		1136-1457-01	Transmission kpl (grå).....	Gearbox assy (grey).....		Bi.Ci.Di	
	412	1		1136-0692-01	• Remskiva.....	• Pulley.....			
	413	1		1136-0612-01	• Stift.....	• Pin.....			
	414	1		1136-0633-01	• Justerstång.....	• Adjustment rod.....		Bi.Ci.Di	
	414	1		1136-1454-01	• Justerstång.....	• Adjustment rod.....		France Reducteurs	
	415	1		1111-9123-01	Drivrem.....	Drive belt.....			
	416	2		1136-0697-01	Stift.....	Pin.....			
	417	1		1136-0638-01	Bussning.....	Bush.....			
	418	1		1136-0668-01	Fjäder.....	Spring.....			
	419	1		1136-0091-01	Bricka.....	Washer.....			
	420	1		9747-0631-02	Låsmutter.....	Lock nut.....			
	421	1		1136-0081-01	Navkapsel.....	Hub cap.....			