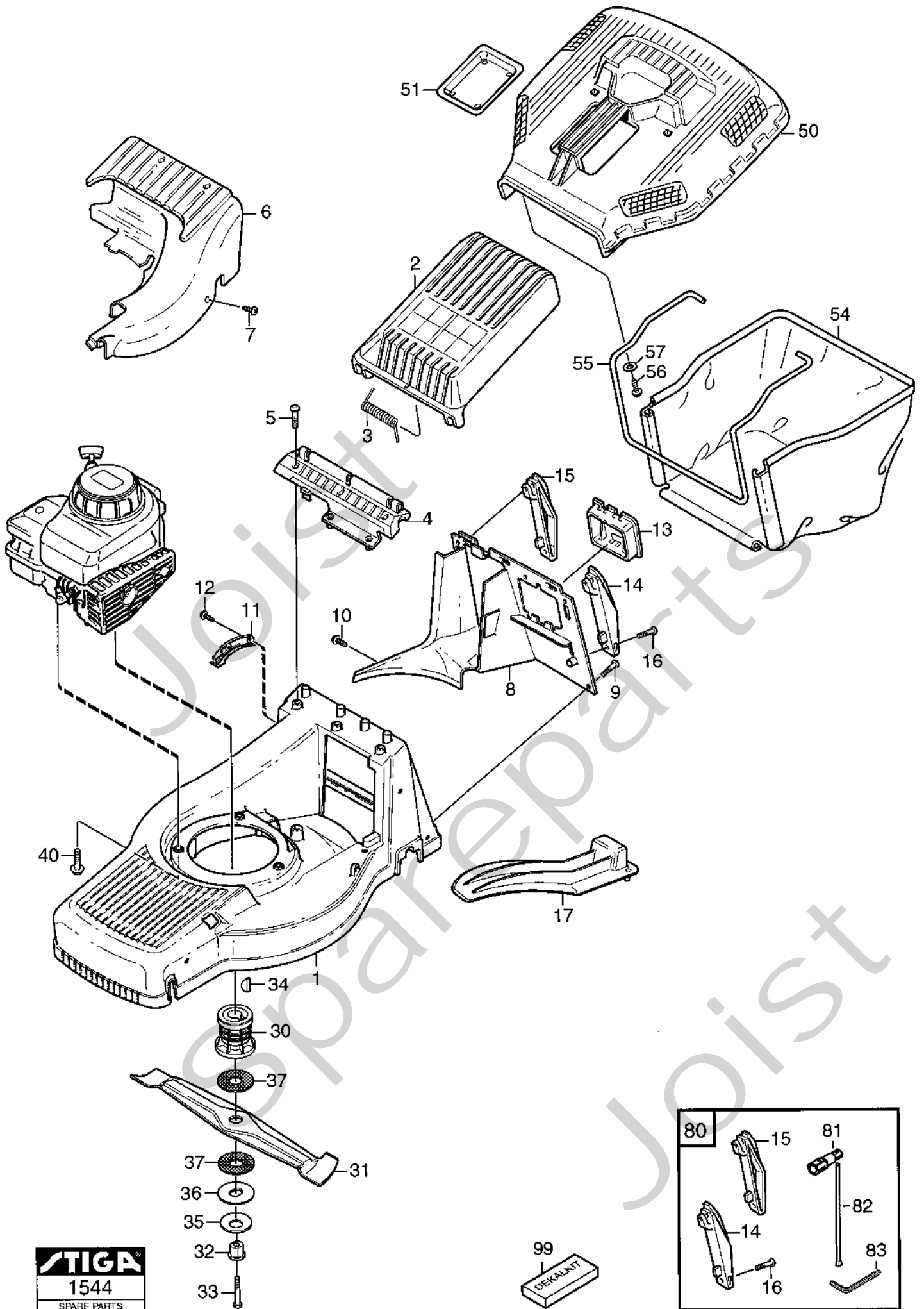


Genuine Spare Parts

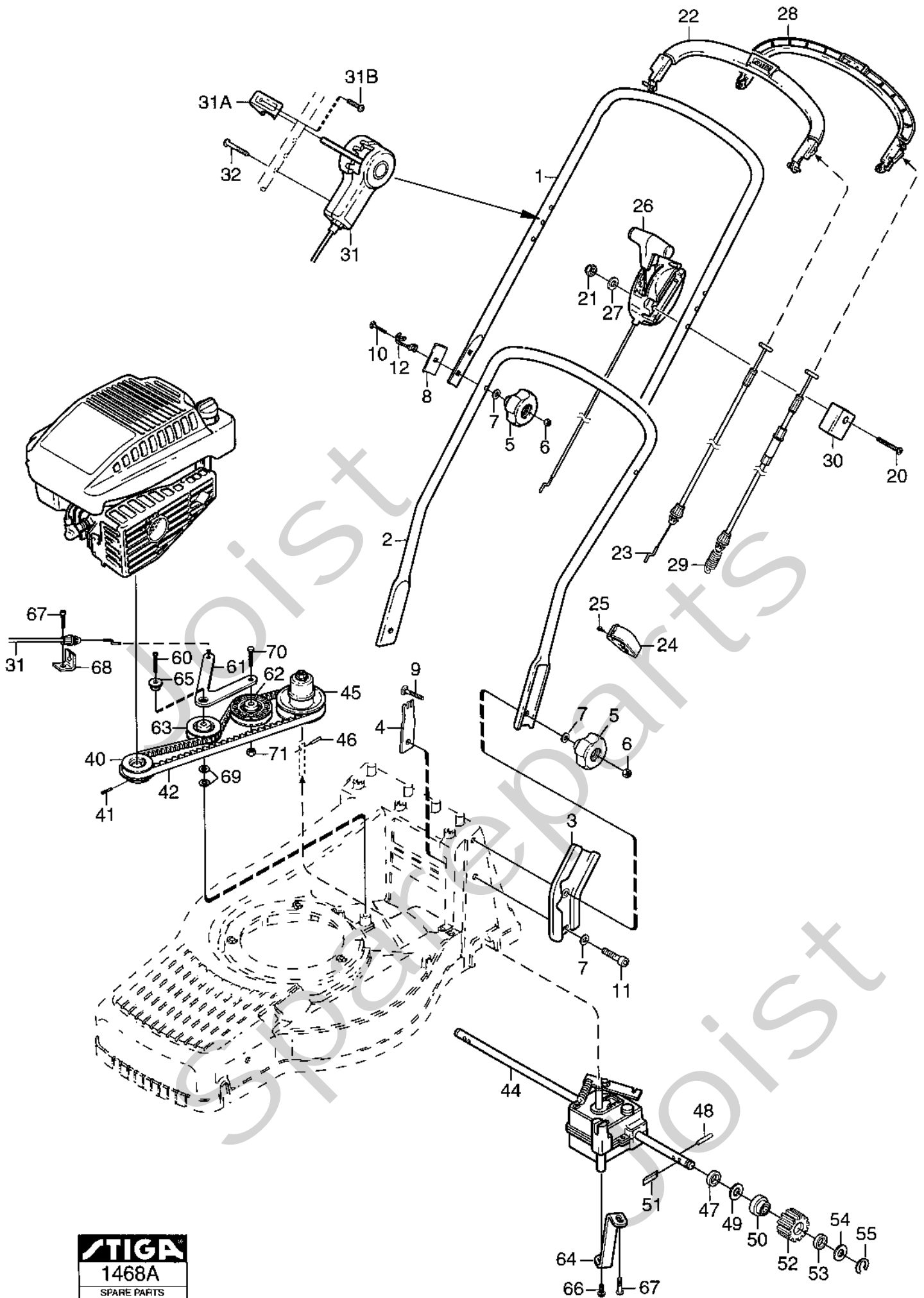


Spareparts
Joist



STIGA
 1544
 SPARE PARTS

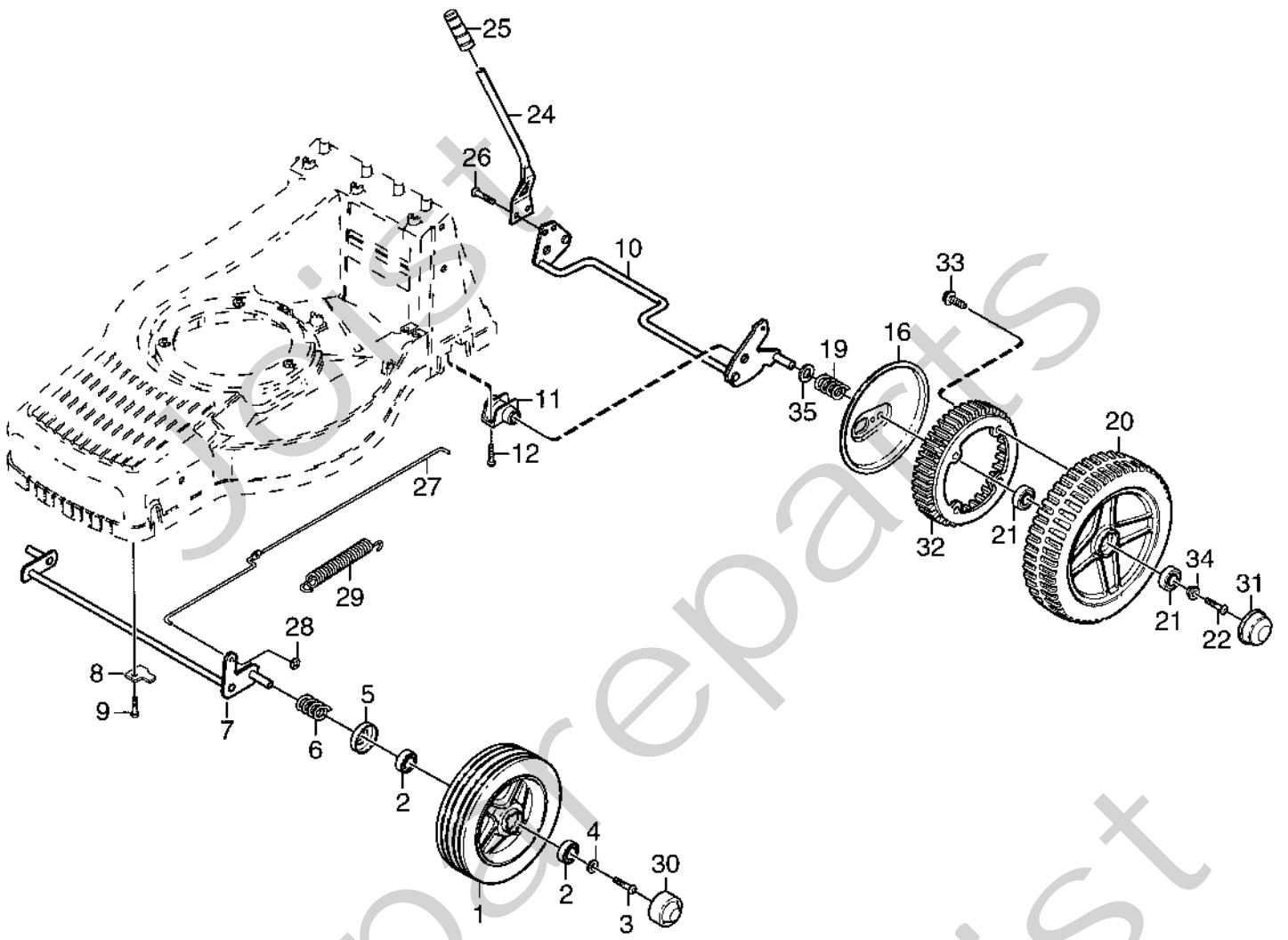
Utgåva Issue 2003-43		Bildnr Picture No 1544		TURBO PRO 55S CHASSI UPPSAMLARE		TURBO PRO 55S CHASSIS GRASS COLLECTOR		Sida Page 222	
Pos. Fig.	Antal/Quantity			Art nr Part No	Benämning	Description	Sats Kit	Anmärkning Notes	
	9204 -48 9296 9404								
	1	1		1111-3020-17	Chassi- hammarlack	Chassis- hammerite			
	2	1		1111-3283-01	Lucka- gul	Flap- yellow			
	3	1		1111-2792-01	Fjäder	Spring			
	4	1		1111-2793-01	Luckinfästning- gul	Flap attachm. - yellow			
	5	3		9947-0616-16	Skruv	Screw			
	6	1		1111-3019-01	Täckåpa- gul	Cover- yellow			
	7	3		9838-9522-12	Skruv	Screw			
	8	1		1111-3335-01	Bakstam	Rear attachment			
	9	3		9947-0616-16	Skruv	Screw			
	10	1		9838-9522-12	Skruv	Screw			
	11	1		1111-2798-01	Höjdinst. segment	Height adj. quadrant			
	12	2		9838-9522-12	Skruv	Screw			
	13	1		1111-2927-01	Batterihållare	Battery holder			
	14	1		1111-3236-01	• Hållare- vä	• Attachment- LH			
	15	1		1111-3237-01	• Hållare- hö	• Attachment- RH			
	16	4		9836-9520-12	• Skruv	• Screw			
	17	1		1111-3333-02	Muicherplugg	Mulch plug			
X	30	1		1111-3510-01	Knivfäste	Blade holder			
X	31	1		1111-3038-02	Kniv	Blade			
X	32	1		1111-3483-01	Bussning	Bushing			
	33	1		9987-5264-12	Skruv	Screw			
	34	1		9600-0014-00	Nil	Key			
X	35	1		1111-3482-01	Tallriksfjäder	Disc washer			
X	36	1		1111-3481-01	Bricka	Washer			
X	37	2		1111-3512-01	Friktionsbricka	Friction washer			
	40	3		9955-3732-12	Skruv	Screw			
	50	1		1111-2840-01	Uppsamlarlock- gul	Top collector- yellow			
	51	1		1111-2764-01	Täckbricka	Cover			
X	54	1		1111-2844-04	Uppsamlingsäck- svart	Collecting bag- black			
	55	1		1111-2843-01	Trådbygel	Wire clamp			
	56	2		9838-9522-12	Skruv	Screw			
	57	2		9699-0100-02	Bricka	Washer			
X	80	1		1111-3569-01	Tillbehörspåse	Accessory bag		Inkl. pos 14-16,81-83	
X	81	1		1111-2921-01	• Tändstiftsnyckel	• Spark plug wrench			
X	82	1		1111-2113-01	• Vridpinne	• Rod			
	83	1		9900-0060-00	• Insexnyckel	• Allen wrench			
X	99	1		1111-3588-03	Dekalsats	Label kit		STIGA	



STIGA
1468A
SPARE PARTS

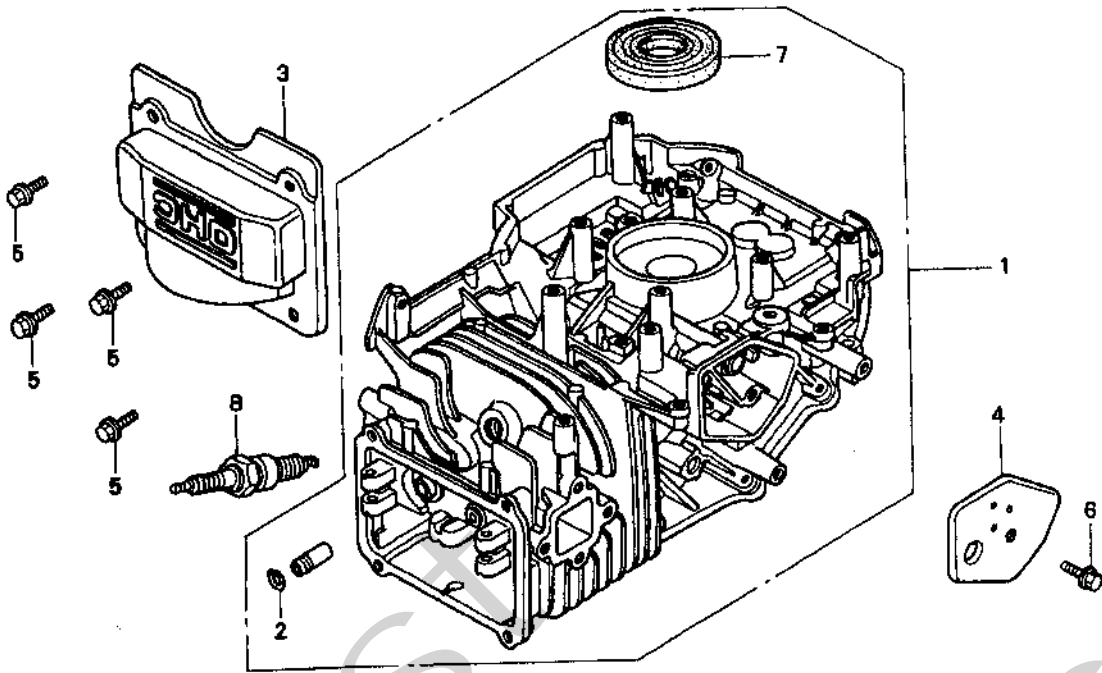
Utgåva Issue		Bildnr Picture No		TURBO PRO 55S- 55SE HERKULES MB532 STYRE TRANSMISSION 4-SPEED		TURBO PRO 55S- 55SE HERKULES MB532 HANDLE TRANSMISSION 4-SPEED		Sida Page	
2003- 43		1468A						228	
Pos. Fig.	Antal/Quantity			Art nr Part No	Benämning	Description	Sats Kit	Anmärkning Notes	
	9604 -88	9404 -48	9498 -18						
1	1		1	1111-2957-01	Styre-överdel	Handle-upper			
1		1		1111-3461-01	Styre-överdel	Handle-upper			
2	1		1	1111-3022-01	Styre-underdel	Handle-lower			
2		1		1111-3428-01	Styre-underdel	Handle-lower			
3	2	2	2	1111-3021-01	Styrinfästning	Handlebar attachment			
4	2	2	2	1111-3024-01	Fästplatta	Attachment plate			
5	4	4	4	1111-3023-01	Låsrott	Locking knob			
6	4	4	4	9795-3531-02	Mutter	Nut			
7	6	6	6	9699-0028-02	Planbricka	Flat washer			
8	2	2	2	1111-0178-00	Förstärkning	Reinforcement			
9	2		2	9899-3545-12	Skruv	Screw		L = 45 mm	
9		2		9899-3557-12	Skruv	Screw		L = 57 mm	
10	2	2	2	9899-3557-12	Skruv	Screw		L = 57 mm	
11	2	2	2	9939-0820-16	Skruv	Screw			
12	1	1	1	1111-3062-01	Ögla	Eyelink			
20			1	9948-0640-16	Skruv	Screw		L = 40 mm	
20	1	1		9948-0670-16	Skruv	Screw		L = 70 mm	
21	1	1	1	9747-0631-02	Låsmutter	Lock nut			
22	1	1	1	1111-2953-01	Manöverbygel	Control handle			
23			1	1111-2968-02	Motorbromswire	Engine brake cable			
23	1	1		1111-2968-07	Motorbromswire	Engine brake cable			
24	3	3	3	1111-2018-01	Kabelhållare	Cable holder			
25	3	3	3	9836-9216-12	Skruv	Screw			
26	1	1		1111-3301-03	Gasreglage	Throttle control		Honda	
28	1	1	1	1111-2954-01	Manöverbygel	Control handle			
29	1	1	1	1111-3388-01	Kopplingswire	Clutch cable			
30	1	1	1	1111-2969-01	Wirefäste	Cable attachment			
31	1	1	1	1111-2971-03	Variatorreglage	Variator control			
31A	1	1	1	1111-2941-01	• Reglageknopp	• Knob			
31B	2	2	2	9838-9522-12	• Skruv	• Screw			
32	2	2	2	9838-9540-12	Skruv	Screw			
40	1	1	1	1111-2433-01	Motorremskiva	Engine belt pulley			
41	1	1	1	9910-0612-16	Stoppskruv	Set screw			
42	1	1	1	9585-0137-01	Drivrem	Drive belt			
44	1	1	1	1111-3393-01	Transmission	Transmission			
44A	1	1	1	1111-3446-01	• Fjäder	• Spring		Ej ill/not ill.	
45	1	1	1	1111-3001-01	Variator	Variator assy			
46	1	1	1	9594-0026-00	Spännstift	Locating pin			
47	2	2	2	9404-0083-00	Tätningring	Seal ring			
48	2	2	2	1111-2382-01	Cyl.pinne	Pin			
49	2	2	2	9695-0013-00	Bricka	Washer			
50	2	2	2	1111-2829-01	Låsbricka	Lock washer			
51	2	2	2	1111-3256-01	Drivkil	Drive key			
52			2	1111-3075-01	Kuggghjul-plasthjul	Pinion- plastic wheel			
52	2	2		1111-3230-01	Kuggghjul-alum. hjul	Pinion- alum. wheel			
53	2	2	2	1111-2830-01	Stödbricka	Support washer			
54	2	2	2	9695-0013-00	Bricka	Washer			
55	2	2	2	9652-0010-04	Låsring	Snap			
60	1	1	1	9943-0650-16	Skruv	Screw			
61	1	1	1	1111-3051-01	Spännarm	Tension arm			
62	1	1	1	1111-2746-01	Remskiva	Belt pulley			
63	1	1	1	1111-2747-01	Spännrulle	Tension roller			
64	1	1	1	1111-3050-01	Stag	Bracket			
65	1	1	1	1111-2423-01	Distans	Spacer			
66	1	1	1	9838-9522-12	Skruv	Screw			
67	2	2	2	9947-0616-16	Skruv	Screw			
68	1	1	1	1111-2469-01	Fäste	Attachment			
69	2	2	2	9699-0060-02	Planbricka	Flat washer			
70	1	1	1	9997-0630-12	Skruv	Screw			
71	1	1	1	9747-0631-02	Låsmutter	Lock nut			

Utgåva Issue 2003-43		Bildnr Picture No 1425A		TURBO 55S-55SE HERKULES MB532 JARDIPRO JP55 BRICORAMA 53TA		TURBO 55S-55SE HERKULES MB532 JARDIPRO JP55 BRICORAMA 53TA		Sida Page 226	
Pos. Fig.	Antal/Quantity				Art nr Part No	Benämning	Description	Sats Kit	Anmärkning Notes
	9286 9296 9298	9686 9698	9204 9604 -18 -68	9644 -68					
1	1	1	1	1	1111-2957-01	Styre-överdel	Handle-upper		
1	1		1		1111-3461-01	Styre-överdel	Handle-upper		9204-48, 9296-48
2	1	1	1	1	1111-3022-01	Styre-underdel	Handle-lower		
2	1		1		1111-3428-01	Styre-underdel	Handle-lower		9204-48, 9296-48
3	2	2	2	2	1111-3021-01	Styrinfästning	Handlebar attachment		
4	2	2	2	2	1111-3024-01	Fästplatta	Attachment plate		
5	4	4	4	4	1111-3023-01	Låsraff	Locking knob		
6	4	4	4	4	9795-3531-02	Mutter	Nut		
7	6	6	6	6	9699-0028-02	Planbricka	Flat washer		
8	2	2	2	2	1111-0178-00	Förstärkning	Reinforcement		
9	2	2	2	2	9899-3545-12	Skruv	Screw		L = 45 mm
9	2	2	2	2	9899-3557-12	Skruv	Screw		L = 57 mm
10	2	2	2	2	9899-3557-12	Skruv	Screw		L = 57 mm
11	2	2	2	2	9939-0820-16	Skruv	Screw		
12	1	1	1	1	1111-3062-01	Ögla	Eyelink		
20	1				9948-0640-16	Skruv	Screw		L = 40 mm
20		1		1	9948-0660-16	Skruv	Screw		L = 60 mm
20			1	1	9948-0670-16	Skruv	Screw		L = 70 mm
21	1	1	1	1	9747-0631-02	Låsmutter	Lock nut		
22	1	1	1	1	1111-2953-01	Manöverbygel	Control handle		
23	1	1			1111-2968-02	Motorbromswire	Engine brake cable		
23			1		1111-2968-07	Motorbromswire	Engine brake cable		
X 23				1	1111-3556-01	Motorbromswire	Engine brake cable		
24	2	2	2	2	1111-2018-01	Kabelhållare	Cable holder		
25	2	2	2	2	9836-9216-12	Skruv	Screw		
26			1		1111-3301-03	Gasreglage	Throttle control		Honda
X 26		1			1111-3351-01	Gasreglage	Throttle control		B&S
27		1		1	1111-3557-01	Gasreglage	Throttle control		Tecumseh
27		1		1	9699-0060-02	Planbricka	Flat washer		
28	1	1	1	1	1111-2954-01	Manöverbygel	Control handle		
29	1	1	1	1	1111-3388-01	Kopplingswire	Clutch cable		
30	1	1	1	1	1111-2969-01	Wirefäste	Cable attachment		
40	1	1	1	1	1111-2915-01	Motorremskiva	Engine belt pulley		
41	1	1	1	1	9910-0612-16	Stoppskruv	Set screw		
42	1	1	1	1	1111-9064-01	Drivrem	V-belt		
43	1	1	1	1	1111-2822-01	Dragfjäder	Tension spring		
44	1	1	1	1	1111-3393-01	Transmission	Transmission		
44A	1	1	1	1	1111-3446-01	Fjäder	Spring		Ej ill/not ill.
45	1	1	1	1	1111-3440-01	Remskiva	Belt pulley		
46	1	1	1	1	9595-0235-00	Spännstift	Locating pin		
47	2	2	2	2	9404-0083-00	Tätningring	Seal ring		
48	2	2	2	2	1111-2382-01	Cyl.pinne	Pin		
49	2	2	2	2	9695-0013-00	Bricka	Washer		
50	2	2	2	2	1111-2829-01	Låsbricka	Lock washer		
51	2	2	2	2	1111-3256-01	Drivkil	Drive key		
52	2	2	2	2	1111-3075-01	Kugghjul-plasthjul	Pinion-plastic wheel		
52	2	2	2	2	1111-3230-01	Kugghjul-alum. hjul	Pinion-alum. wheel		9204-48, 9296, 9686-88
53	2	2	2	2	1111-2830-01	Stödbricka	Support washer		
54	2	2	2	2	9695-0013-00	Bricka	Washer		
55	2	2	2	2	9652-0010-04	Låsring	Snap		

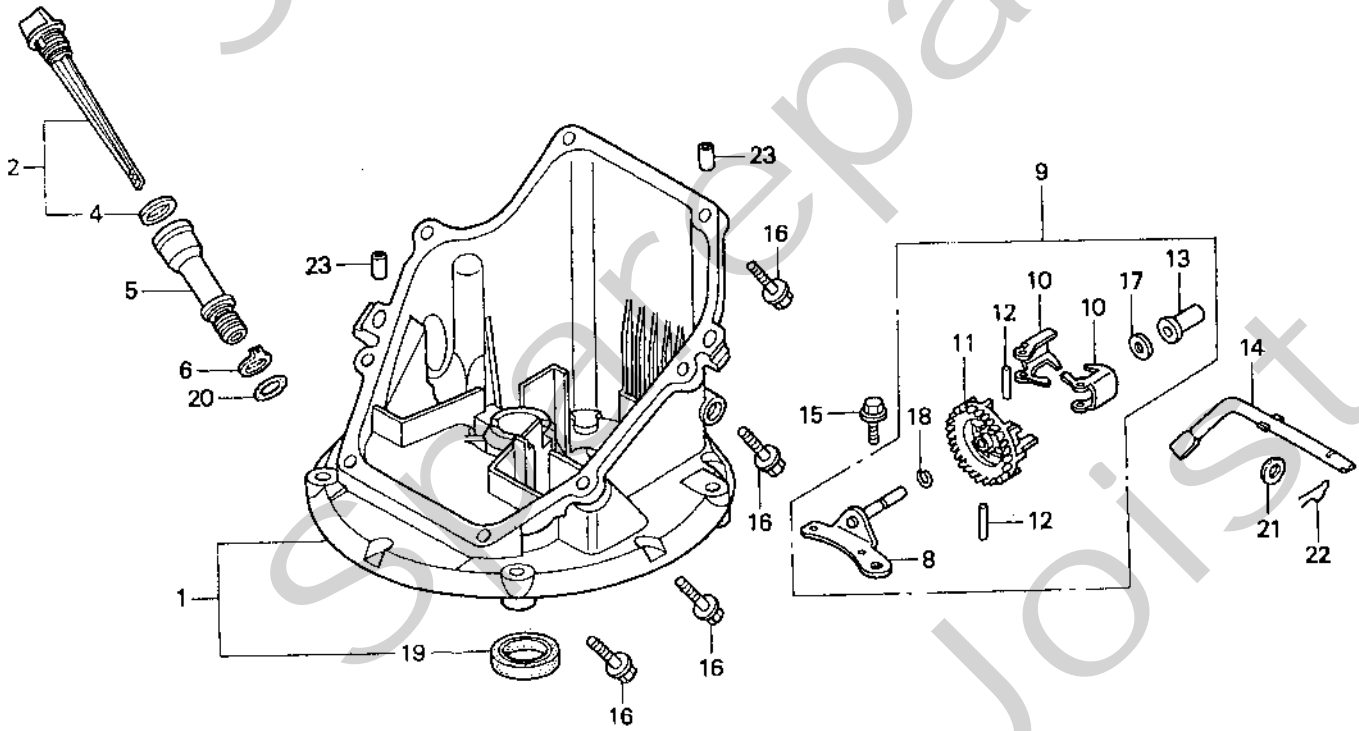


Utgåva Issue		Bildnr Picture No		TURBO PRO 55S HERKULES MB532 HJULUPPHÄNGNING (aluminiumhjul)		TURBO PRO 55S HERKULES MB532 WHEEL SUSPENSION (aluminium wheels)		Sida Page	
2003-43		1432						232	
Pos. Fig.	Antal/Quantity			Art nr Part No	Benämning	Description	Sats Kit	Anmärkning Notes	
	9204 -48	9604 -88	9296 9686 9404						
			2	1111-0817-03	Hjul utan lager	Wheel w/o bearing			
		2		1111-0817-04	Hjul utan lager	Wheel w/o bearing			
		4	4	9549-0015-00	Kullager	Ball bearing			
		2	2	9943-0620-16	Skruv	Screw			
		2	2	9699-0100-02	Bricka	Washer			
		2	2	1111-0466-00	Kullagertätning	Seal grease			
		4	2	1111-1138-01	Fjäder	Spring			
			1	1111-3466-02	Framaxel	Front axle			
X		1		1111-3491-02	Framaxel	Front axle			
		2	2	1111-1504-01	Övertall	Retainer			
		2	2	9947-0616-16	Skruv	Screw			
		1	1	1111-2808-01	Bakaxel	Rear axle			
		2	2	1111-2814-01	Bussning	Bushing			
		4	4	9947-0616-16	Skruv	Screw			
		2	2	1111-3229-01	Täckplåt	Cover plate			
		2	2	1111-3060-01	Fjäder	Spring			
		2	2	1111-2345-01	Hjul	Rear wheel			
		4	4	9549-0001-00	Kullager	Ball bearing			
		2	2	9943-0620-16	Skruv	Screw			
		1	1	1111-2816-01	Spak	Height adj.lever			
		1	1	1111-2817-01	Handtag	Lever knob			
		2	2	9943-0612-16	Skruv	Screw			
			1	1111-3031-01	Dragstång	Height adj.rod			
X		1		1111-3031-02	Dragstång	Height adj. rod			
		2	2	9675-0011-00	Starlock	Starlock			
		1	1	1111-2819-01	Fjäder	Spring			
		2	2	1111-1506-01	Navkapsel	Hub cap			
		2	2	1111-2077-01	Navkapsel	Hub cap			
		2	2	1111-2109-01	Kuggkrans	Gear ring			
		8	8	9841-0410-16	Skruv	Screw			
X		2	2	1111-3555-01	Distans	Spacer			
		2	2	9699-0037-02	Bricka	Washer			

A

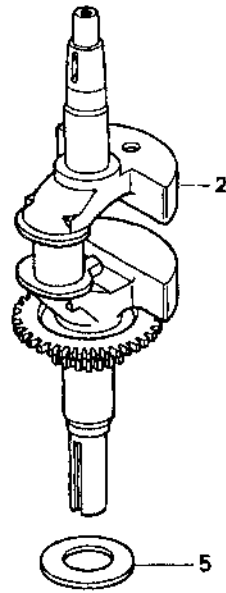


B

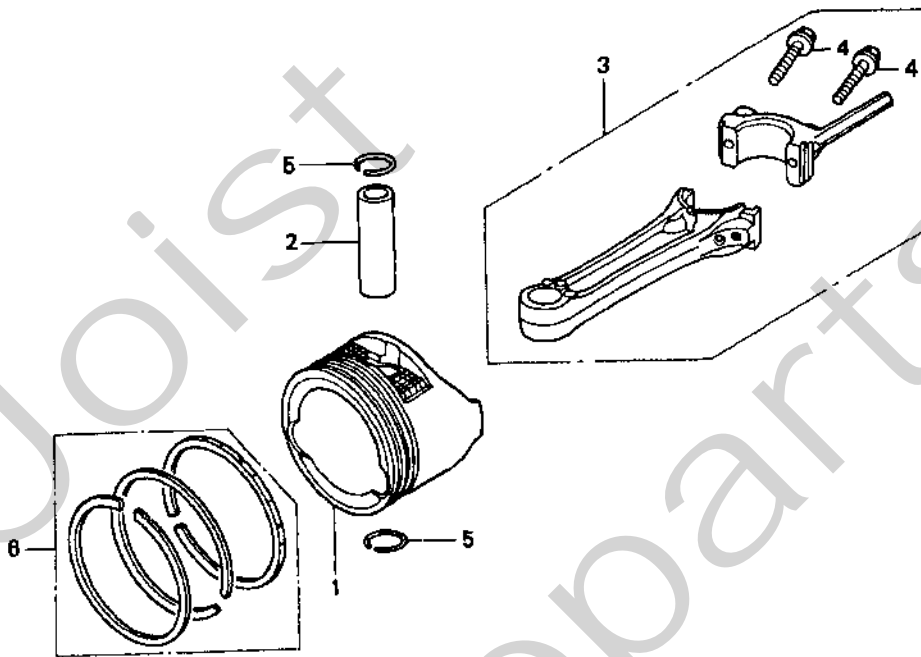


Utgåva Issue		Bildnr Picture No		HONDA GCV 135, 160 CYLINDER VEVHUS		HONDA GCV 135, 160 CYLINDER CRANKCASE		Sida Page
2003-43		956A						390
Pos. Fig.	Anta/Quantity			Art nr Part No	Benämning	Description	Sats Kit	Anmärkning Notes
	GCV 135 A2G7	GCV 160 A2G7						
X	A01		1	12000ZL8415	Cylinder	Cylinder		Champion RN9YC
X	A01	1		12000ZL9415	Cylinder	Cylinder		
	A02	1	1	12216ZE5300	• Låsring	• Clip		
	A03	1	1	12311ZL8000	Lock	Cover		
	A04	1	1	12355ZL8000	Lock	Cover		
	A05	4	4	90013883000	Bult	Boit		
	A06	1	1	90014952000	Bult	Bolt		
	A07	1	1	91201ZL8003	• Tättningsring	• Oil seal		
	A08	1	1	9400-0289-01	Tändstift	Spark plug		
X	B01	1	1	11300ZM0811	Vevhus	Oil pan		
	B02	1	1	15650ZM0801	Oljesticka	Oil dipstick		
	B04	1	1	15625ZE6000	• Packning	• Gasket		
	B05	1	1	15631ZM0000	Oljepåfyllningsrör	Oil filler extension		
	B06	1	1	15639ZM0000	Bricka	Washer		
X	B08	1	1	16508ZM0010	• Axel	• Shaft		
X	B09	1	1	16510ZM0010	Regulator kpl	Governor assy		
	B10	2	2	16511ZL8000	• Vikt	• Weight		
	B11	1	1	16512ZM0000	• Vikthållare	• Weight holder		
	B12	2	2	16513ZE1000	• Stift	• Pin		
	B13	1	1	16531ZE1000	• Glidhylsa	• Slider		
	B14	1	1	16541ZM0000	Regulatorarm	Shaft		
	B15	1	1	90014952000	Bult	Boit		
	B16	8	8	90121952000	Bult	Boit		
	B17	1	1	90451ZE1000	• Bricka	• Washer		
	B18	1	1	90602ZE1000	• Låsring	• Clip		
	B19	1	1	91202ZL8003	• Tättningsring	• Oil seal		
X	B20	1	1	91303ZM0003	O-ring	O-ring		
	B21	1	1	9410106800	Bricka	Washer		
	B22	1	1	9425108000	Låspinne	Lock pin		
	B23	2	2	9430108200	Styrpinne	Dowel pin		

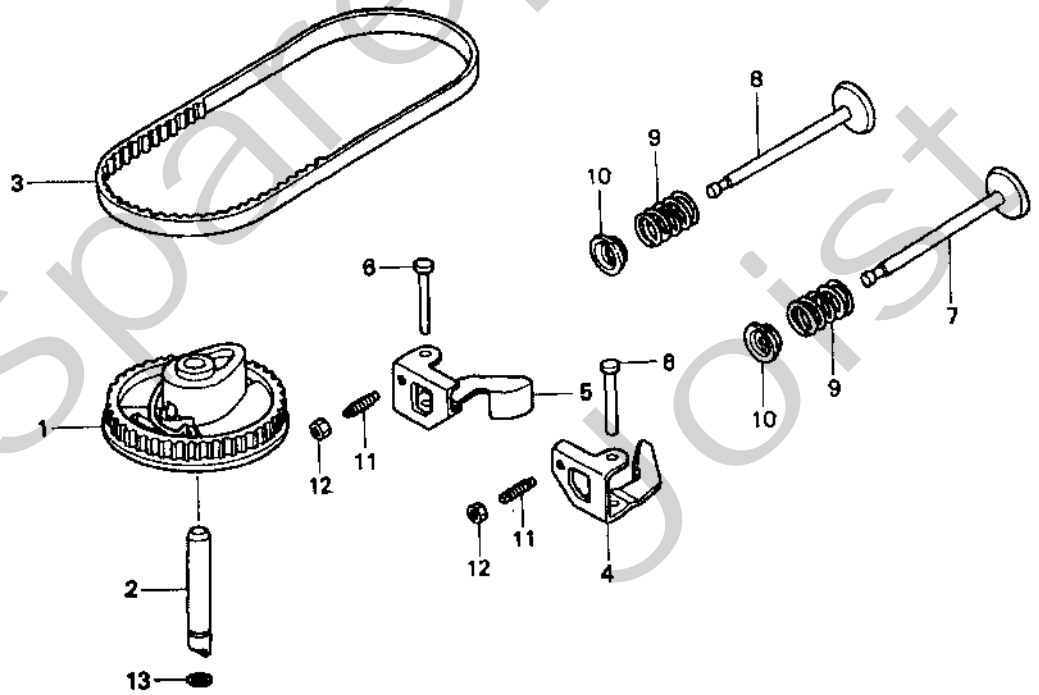
A



B

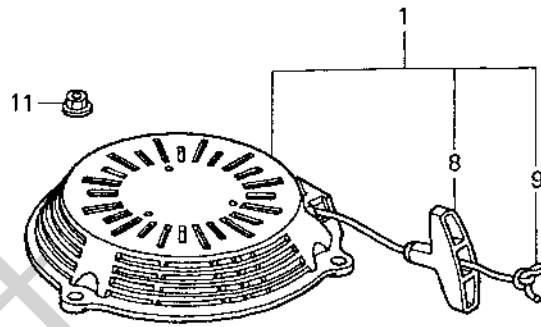


C

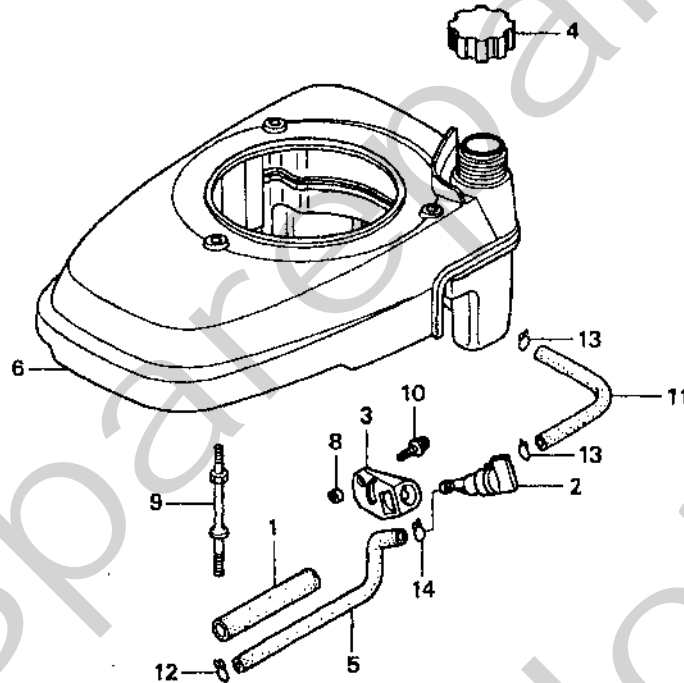


Utgåva Issue		Bildnr Picture No		HONDA GCV 135, 160 VEVAXEL KAMAXEL		HONDA GCV 135, 160 CRANKSHAFT CAMSHAFT		Sida Page
2003-43		957						392
Pos. Fig.	Antal/Quantity			Art nr Part No	Benämning	Description	Sats Kit	Anmärkning Notes
	GCV 135 A2G7	GCV 160 A2G7						
A02		1		13310ZM0600	Vevaxel	Crankshaft		
A02	1			13310ZM1600	Vevaxel	Crankshaft		
A05	1	1		90402ZL8000	Bricka	Washer		
B01	1	1		13101ZL8000	Kolv	Piston		
B02	1	1		13111ZE0000	Kolvbult	Piston pin		
B03		1		13200ZL8000	Vevstake	Connecting rod		
B03	1			13200ZL9000	Vevstake	Connecting rod		
B04	2	2		90001ZE1000	Bult	Bolt		
B05	2	2		90551ZE0000	Låsring	Clip		
X B06	1	1		13010ZL8014	Kolvringssats	Ring set		Teikoku
C01	1	1		14320ZL8000	Remskiva	Pulley		
C02	1	1		14324ZL8000	Axel	Shaft		
C03		1		14400ZL8003	Kamrem	Belt		
C03	1			14400ZL9003	Kamrem	Belt		
C04	1	1		14431ZL8000	Vipparm- insug	In. valve rocker arm		
C05	1	1		14441ZL8000	Vipparm- utblås	Ex. valve rocker arm		
C06	2	2		14461ZL8000	Axel	Shaft		
C07	1	1		14711ZL8000	Insugningsventil	Intake valve		
C08	1	1		14721ZL8000	Utblåsningsventil	Exhaust valve		
C09	2	2		14751ZL8000	Ventilfjäder	Valve spring		
C10	2	2		14771ZE1000	Ventilfjäderhållare	Valve spring retainer		
C11	2	2		90012333000	Justerskruv	Adjusting screw		
X C12	2	2		90206001000	Mutter	Nut		
C13	1	1		91301Z0M003	O-ring	O-ring		

A

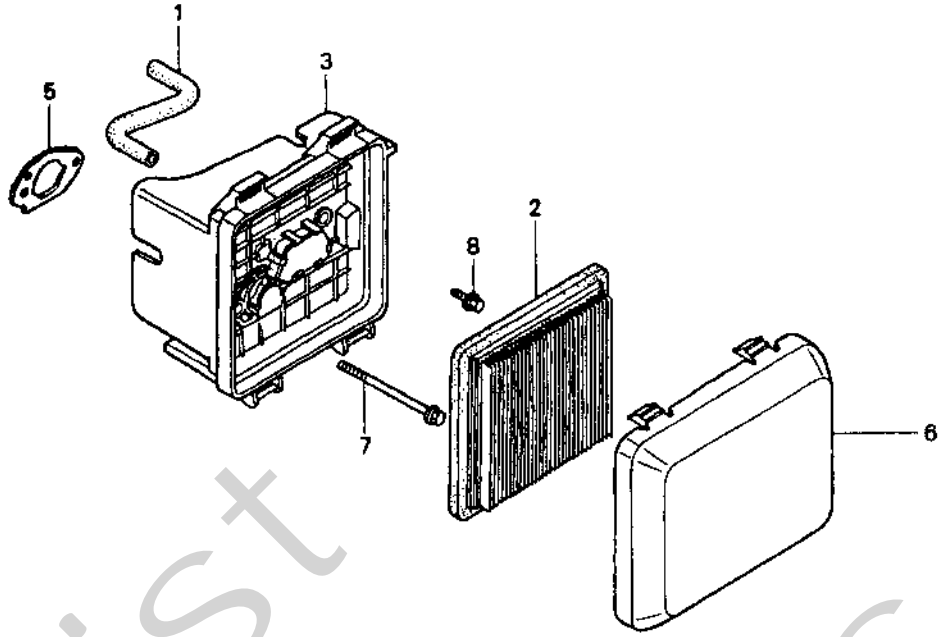


B

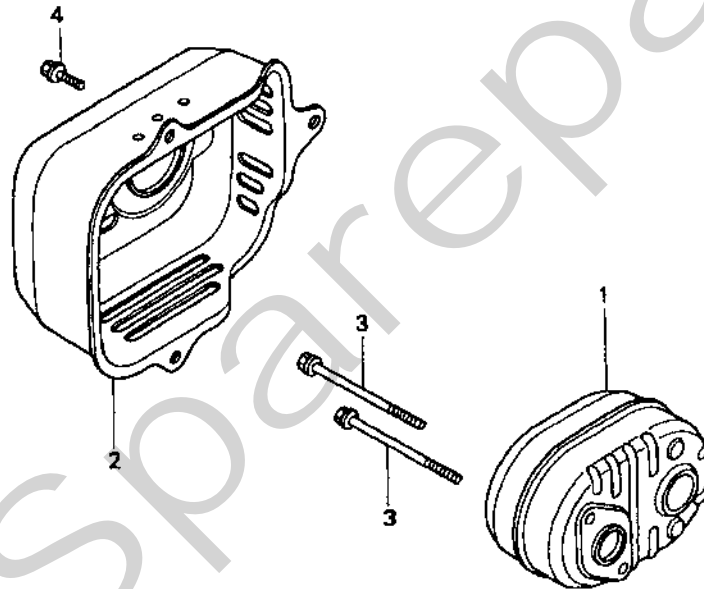


Utgåva Issue		Bildnr Picture No		HONDA GCV 135, 160 START BRÄNSLETANK		HONDA GCV 135, 160 RECOIL STARTER FUEL TANK		Sida Page
2003-43		958						394
Pos. Fig.	Antal/Quantity			Art nr Part No	Benämning	Description	Sats Kit	Anmärkning Notes
	GCV 135 A2G7	GCV 160 A2G7						
X	A01A	1	1	28400ZM0632	Start kpl.....	Starter assy.....		ZA *NH1* black
X	A01B	1	1	28400ZM0632	Start kpl.....	Starter assy.....		ZB *R8* red
	A08	1	1	28461ZL8003	• Handtag.....	• Grip.....		
	A09	1	1	28462ZL8631	• Startsnöre.....	• Starter rope.....		
	A11	3	3	90201ZM0000	Mutter.....	Nut.....		
	B01	1	1	16854ZH8000	Gummistöd.....	Rubber supporter.....		
	B02	1	1	16950ZG9M02	Bensinkran.....	Fuel cock.....		
	B03	1	1	16956ZM0000	Fäste.....	Bracket.....		
X	B04	1	1	17620ZL8013	Tanklock.....	Fuel tank cap.....		
	B05	1	1	17702ZM0000	Bränslerör.....	Fuel tube.....		
X	B06A		1	19610ZM0010	Bränsletank.....	Fuel tank.....		ZA *NH1* black
X	B06B		1	19610ZM0010	Bränsletank.....	Fuel tank.....		ZB *R8* red
X	B06C	1		19610ZM1010	Bränsletank.....	Fuel tank.....		ZA *NH1* black
X	B06D	1		19610ZM1010	Bränsletank.....	Fuel tank.....		ZB *R8* red
	B08	1	1	33609GK4620	Hylsa.....	Collar.....		
	B09	3		90041ZL9000	Pinnbult.....	Stud bolt.....		
	B09		3	90043ZL8000	Pinnbult.....	Stud bolt.....		
	B10	1	1	938910501008	Skruv.....	Screw.....		
	B11	1	1	950015513540	Bränslerör.....	Fuel tube.....		5.3 x 135
	B12	1	1	9500202080	Slangklämma.....	Tube clip.....		
	B13	2	2	9500202100	Slangklämma.....	Tube clip.....		
	B14	1	1	9500250000	Slangklämma.....	Tube clip.....		

A



B

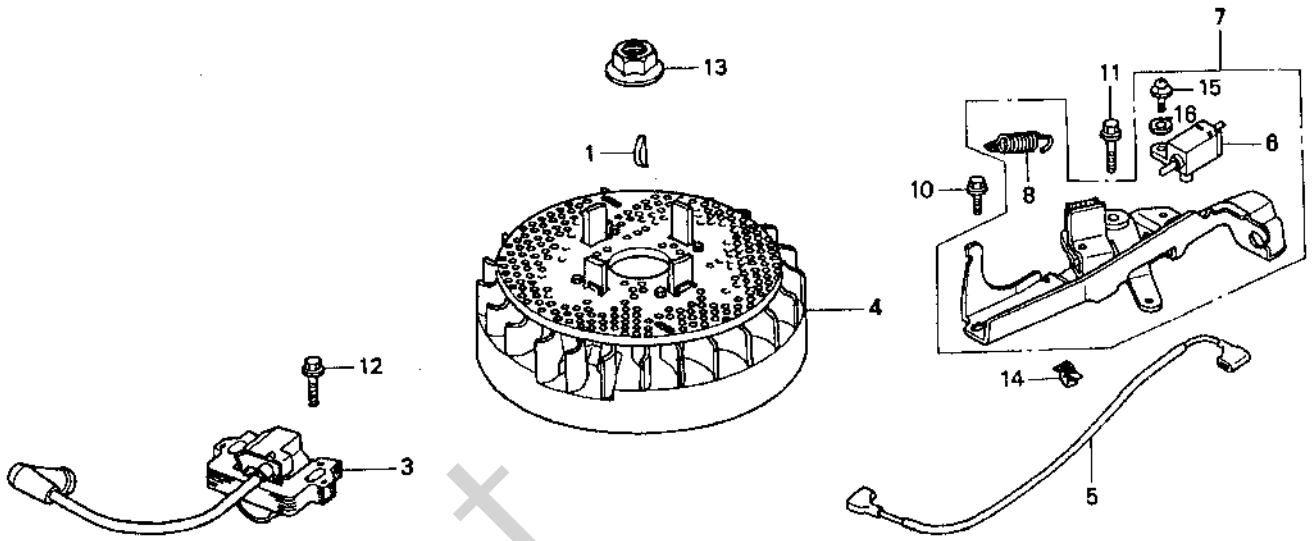


Utgåva Issue 2003-43		Bildnr Picture No 959		HONDA GCV 135, 160 LUFFFILTER LJUDDÄMPARE		HONDA GCV 135, 160 AIR CLEANER MUFFLER		Sida Page 396
Pos. Fig.	Antal/Quantity			Art nr Part No	Benämning	Description	Sats Kit	Anmärkning Notes
	GCV 135 A2G7	GCV 160 A2G7						
A01		1		15721ZM0000	Ventilationsrör	Breather tube		
A01	1			15721ZM1000	Ventilationsrör	Breather tube		
A02	1	1		17211ZL8003	Filterelement	Air cleaner element		
A03	1	1		17220ZM0000	Luftrenarhus	Air cleaner case		
A05	1	1		17228ZM0000	Packning	Gasket		
A06	1	1		17231ZM0000	Kåpa	Cover		
A07	2	2		90003ZM0000	Bult	Bolt		
A08	1	1		957010601408	Bult	Bolt		
B01	1	1		18310ZM0000	Ljuddämpare	Muffler		
B02	1	1		18321ZL8000	Skydd	Protector		
B03	2	2		90004ZL8000	Bult	Bolt		
B04	3	3		90013883000	Bult	Bolt		

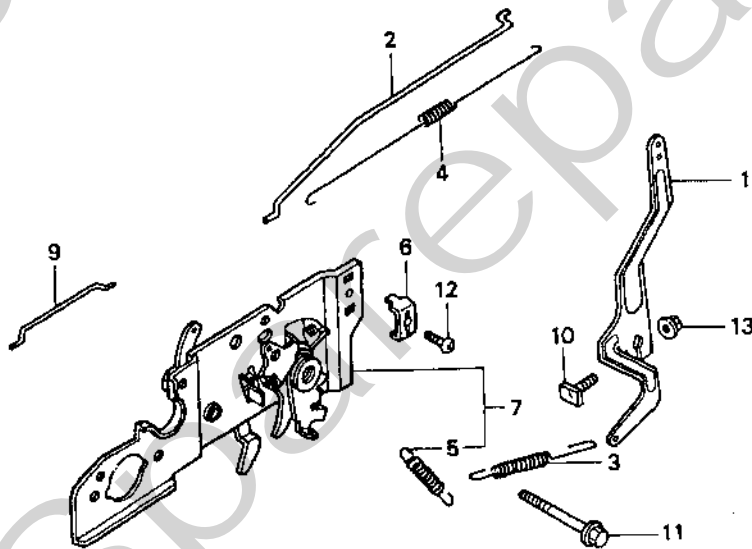
X

Joist Spareparts

A

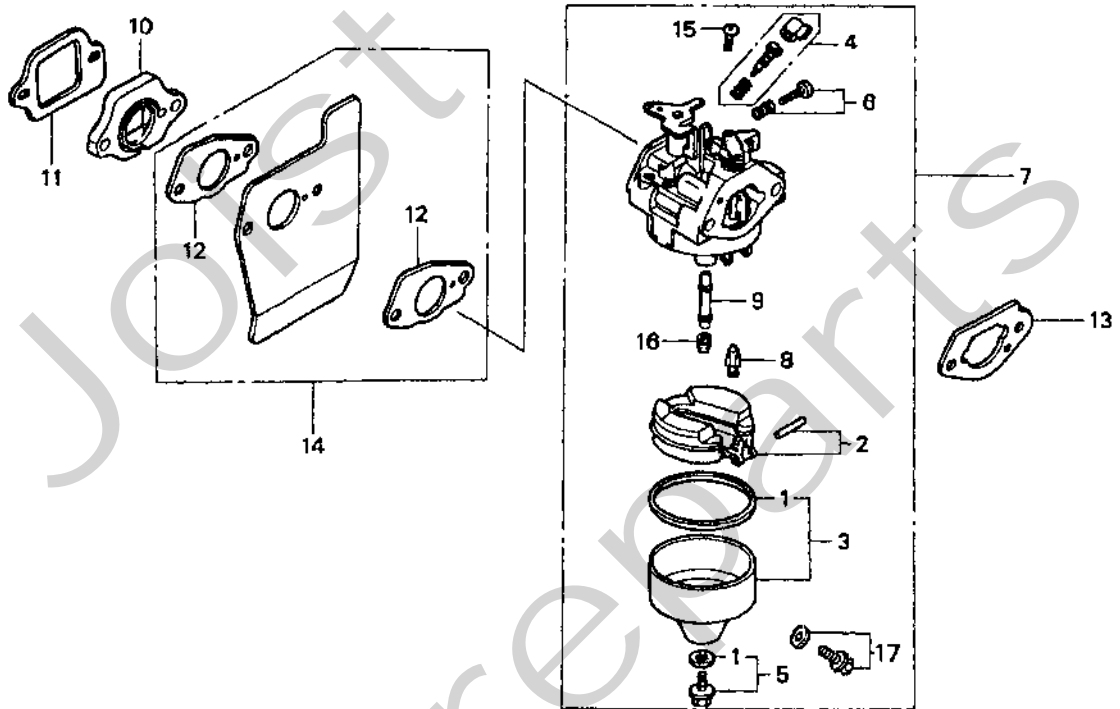


B



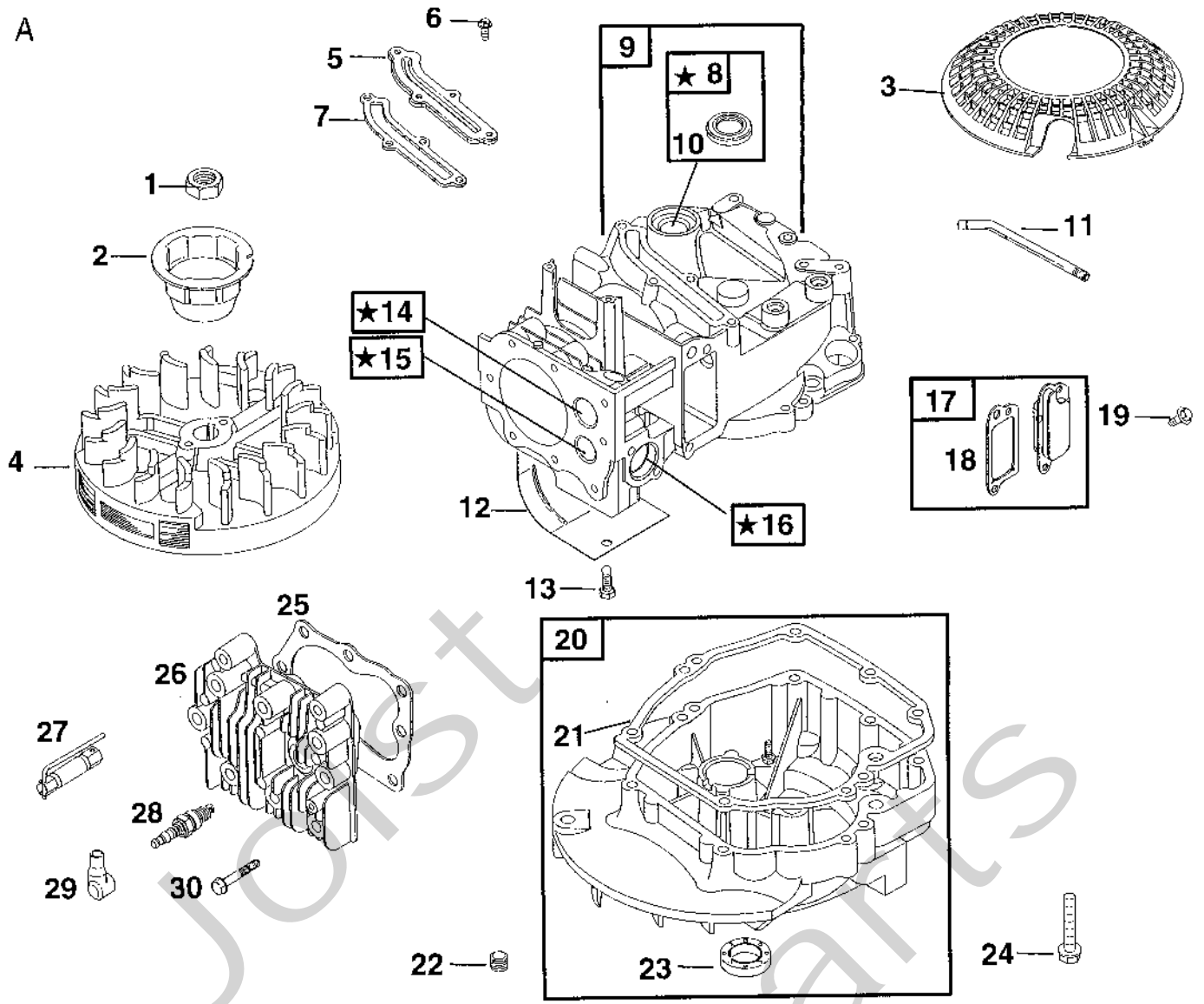
Utgåva Issue		Bildnr Picture No		HONDA GCV 135, 160 SVÄNGHJUL REGULATOR		HONDA GCV 135, 160 FLYWHEEL CONTROL		Sida Page
2003-43		960						398
Pos. Fig.	Antal/Quantity			Art nr Part No	Benämning	Description	Sats Kit	Anmärkning Notes
	GCV 135 A2G7	GCV 160 A2G7						
A01	1	1		13331357000	Key	Key		
A03	1	1		30500ZL8004	Tändspole	Ignition coil		
A04		1		31105ZM0000	Svängjul	Flywheel		
A04	1			31105ZM1000	Svängjul	Flywheel		
A05	1	1		32195ZM0000	Kabel	Cord		
A06	1	1		35120ZM0003	• Stoppkontakt	• Stop switch		
A07	1	1		75100ZM0000	Broms kpl	Brake assy		
A08	1	1		75113ZM0000	• Fjäder	• Spring		
A10	1	1		90014952000	Bult	Bolt		
A11	1	1		90018ZE1000	Bult	Bolt		
A12	1	1		90022888010	Bult	Bolt		
A13	1	1		90201878003	Mutter	Nut		
A14	1	1		90681959003	Kabelklämma	Cable clip		
A15	1	1		938920401200	• Skruv	• Screw		
A16	1	1		9410304000	• Bricka	• Washer		
X B01	1	1		16551ZM0010	Regulatorarm	Governor arm		
B02		1		16555ZM0000	Regulatorlänk	Governor rod		
B02	1			16555ZM1000	Regulatorlänk	Governor rod		
B03		1		16561ZM0000	Regulatorfjäder	Governor spring		
B03	1			16561ZM1000	Regulatorfjäder	Governor spring		
B04		1		16562ZM0000	Returfjäder	Return spring		
B04	1			16562ZM1000	Returfjäder	Return spring		
B05	1	1		16576ZE7300	• Fjäder	• Lever spring		
B06	1	1		16576891000	Kabelhållare	Cable holder		
X B07	1	1		16580ZM0020	Reglageplatta	Control base		
B09	1	1		16674ZM0000	Chokelänk	Choke rod		
B10	1	1		90015ZE5010	Bult	Bolt		
B11	1	1		90016ZM0000	Bult	Bolt		
B12	1	1		93500050160A	Skruv	Screw		
B13	1	1		9405006000	Mutter	Nut		

A

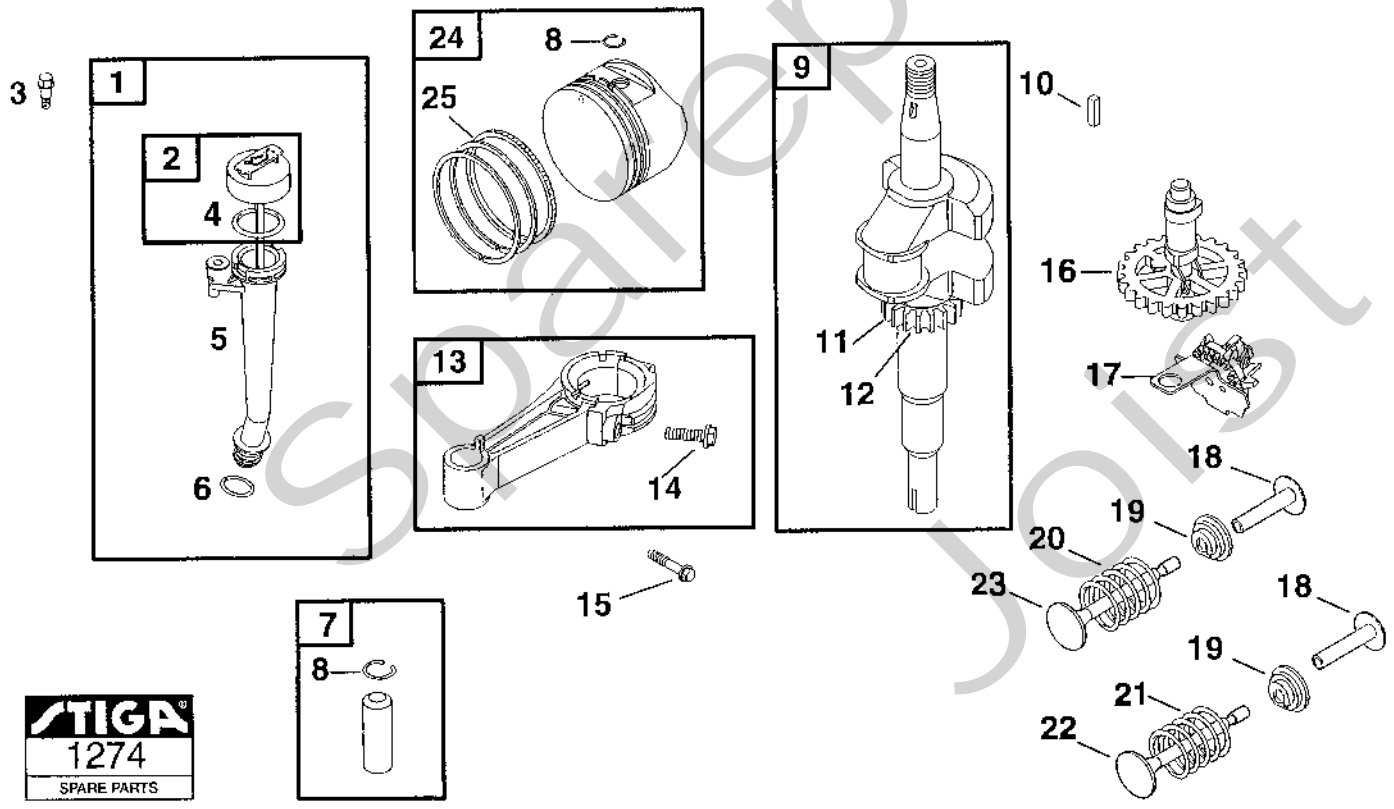


Utgåva Issue		Bildnr Picture No		HONDA GCV 135, 160 FÖRGASARE		HONDA GCV 135, 160 CARBURETTDR		Sida Page	
2003-43		961A						400	
Pos. Fig.	Antal/Quantity			Art nr Part No	Benämning	Description	Sats Kit	Anmärkning Notes	
	GCV 135 A2G7	GCV 160 A2G7							
	A01	1	1	16010883015	• • Packningssats	• • Gasket set			
	A02	1	1	16013ZL1003	• Flottörsats	• Float set			
X	A03	1	1	16015887782	• Flottörhus	• Float chamber			
X	A04	1	1	16016ZG0W00	• Justerskruv	• Set screw			
	A05	1	1	16028ZE0005	• Skruv	• Screw			
	A06	1	1	16029ZG0901	• Justerskruv	• Set screw			
X	A07		1	16100ZM0803	Förgasare kpl	Carburettor assy		BB62B D	
X	A07	1		16100ZM1822	Förgasare kpl	Carburettor assy		BB64F A	
	A08	1	1	16155ZM0003	• Ventil	• Valve			
	A09		1	16166ZM0003	• Munstycke	• Main nozzle			
	A09	1		16166ZM1003	• Munstycke	• Main nozzle			
	A10	1	1	16211ZL8000	Isolator	Insulator			
	A11	1	1	16212ZL8000	Packning	Gasket			
	A12	1	1	16221883800	• Packning	• Gasket			
	A13	1	1	16228ZL8000	Packning	Gasket			
	A14	1	1	19650ZM0000	Luftplåt	Air guide			
	A15	1	1	93500050061H	• Skruv	• Screw			
	A16	1		991011240580	• Munstycke	• Main jet		#58	
	A16	1	1	991011240600	• Munstycke	• Main jet		#60	
	A16	1	1	991011240620	• Munstycke	• Main jet		#62	
	A16	1	1	991011240650	• Munstycke	• Main jet		#65	
X	A17	1	1	16024ZE1811	• Dräneringsskruv	• Drain screw			

A



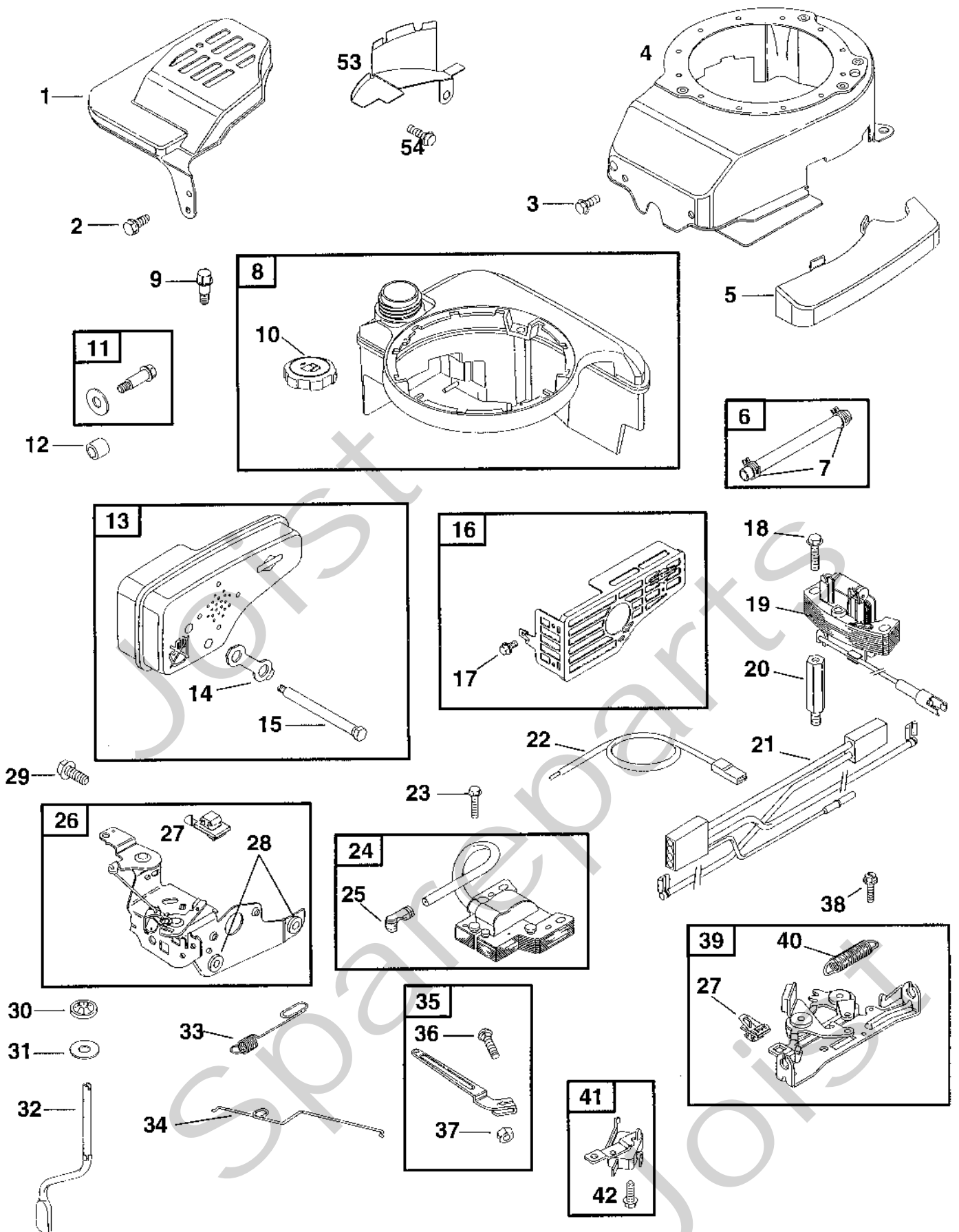
B



Utgåva Issue		Bildnr Picture No		BRIGGS & STRATTON 12H802, 12H807 CYLINDER VEVAXEL		BRIGGS & STRATTON 12H802, 12H807 CYLINDER CRANKSHAFT		Sida Page	
2003-43		1274						352	
Pos. Fig.	Antal/Quantity			Art nr Part No	Benämning	Description	Sats Kit	Anmärkning Notes	
	12H 802- 1935	12H 807- 1936	12H 802- 1966						
A01	1	1	1	690662	Mutter.....	Flywheel nut.....			
A02	1	1	1	695161	Svänghjuls kopp.....	Flywheel cup.....			
A03	1	1	1	691919	Skydd.....	Rewind guard.....			
A04		1		691987	Svänghjul.....	Flywheel.....			
A04	1		1	692315	Svänghjul.....	Flywheel.....			
A05	1	1	1	692342	Lock.....	Cover.....			
A06	4	4	4	690345	Skruv.....	Screw.....			
A07	1	1	1	691879	Packning.....	Gasket.....			
A08	1	1	1	399269	• Bussning.....	• Bushing.....			
A09	1	1	1	697322	Cylinder kpl.....	Cylinder assy.....			
A10	1	1	1	299819	Tätningring.....	Oil seal.....			
A11			1	499675	Ventilationsrör.....	Breather tube.....			
A11	1	1		691781	Ventilationsrör.....	Breather tube.....			
A12	1	1	1	690450	Cylinderskydd.....	Cylinder shield.....			
A13	1	1	1	690345	Skruv.....	Screw.....			
A14	1	1	1	691155	• Ventilsåte- insug.....	• Valve seat- intake.....			
A15	1	1	1	690380	• Ventilsåte- utblås.....	• Valve seat- exhaust.....			
A16	1	1	1	262001	• Ventilstyrning- utblås.....	• Valve guide- exhaust.....			
A16	1	1	1	63709	• Ventilstyrning- insug.....	• Guide- intake valve.....			
A17	1	1	1	695250	Vevhusventilation.....	Breather.....			
A18	1	1	1	696125	• Packning.....	• Gasket.....			
A19	2	2	2	691125	Skruv.....	Screw.....			
A20	1	1	1	493279	Vevhus.....	Engine sump.....			
A21	1	1	1	692232	• Packning.....	• Gasket.....			
A22	1	1	1	691680	Oljeavtappningsplugg.....	Oil drain plug.....			
A23	1	1	1	399781	• Tätningring.....	• Oil seal.....			
A24	7	7	7	691092	Skruv.....	Screw.....			
A25	1	1	1	692249	Packning.....	Gasket.....			
A26	1	1	1	691160	Topplöck.....	Cylinder head.....			
A27	1	1	1	1111-9029-01	Tändstiftsnyckel.....	Spark plug wrench.....			
A28	1	1	1	9400-0225-00	Tändstift.....	Spark plug.....		Champion J19LM	
A29	1	1	1	66538	Tändstiftsskydd.....	Spark plug elbow.....			
A30	8	8	8	690912	Skruv.....	Screw.....			
B01	1	1	1	692017	Oljesticka kpl.....	Oil dipstick assy.....			
B02	1	1	1	495264	• Oljesticka.....	• Oil dipstick.....			
B03	1	1	1	690940	Skruv.....	Screw.....			
B04	1	1	1	691031	• O-ring.....	• O-ring.....			
B05	1	1	1	495265	• Oljepåfyllningsrör.....	• Oil filler tube.....			
B06	1	1	1	692296	• Tätningring.....	• Tube seal.....			
B07	1	1	1	499423	Kolvbult.....	Piston pin.....			
B08	2	2	2	691866	• Låsring.....	• Lock ring.....			
B09	1	1	1	691452	Vevaxel.....	Crankshaft.....			
B10	1	1	1	222698	Kil.....	Key.....			
B11	1	1	1	691830	• Drev.....	• Timing gear.....			
B12	1	1	1	690979	• Kil.....	• Timing key.....			
B13	1	1	1	499424	Vevstake.....	Connecting rod.....			
B14	1	1	1	691664	• Skruv.....	• Screw.....			
B15	1	1	1	695759	Skruv.....	Screw.....			
B16	1	1	1	691449	Kamaxel.....	Camshaft.....			
B17	1	1	1	691997	Oljeslungare.....	Oil slinger.....			
B18	2	2	2	690548	Ventilyftare.....	Valve tappet.....			
B19	2	2	2	692194	Ventilhållare.....	Valve retainer.....			
B20	1	1	1	691270	Ventilfjäder.....	Valve spring.....			
B21	1	1	1	691270	Ventilfjäder.....	Valve spring.....			
B22	1	1	1	262651	Utblåsningsventil.....	Exhaust valve.....			
B23	1	1	1	262652	Insugningsventil.....	Intake valve.....			
B24	1	1	1	499429	Kolv kpl.....	Piston assy.....		Standard	
B24	1	1	1	499430	Kolv kpl.....	Piston assy.....		.010" oversize	
B24	1	1	1	499431	Kolv kpl.....	Piston assy.....		.020" oversize	
B24	1	1	1	499432	Kolv kpl.....	Piston assy.....		.030" oversize	
B25	1	1	1	499425	• Kolvringsatts.....	• Ring set.....		Standard	
B25	1	1	1	499426	• Kolvringsatts.....	• Ring set.....		.010" oversize	
B25	1	1	1	499427	• Kolvringsatts.....	• Ring set.....		.020" oversize	

X

A

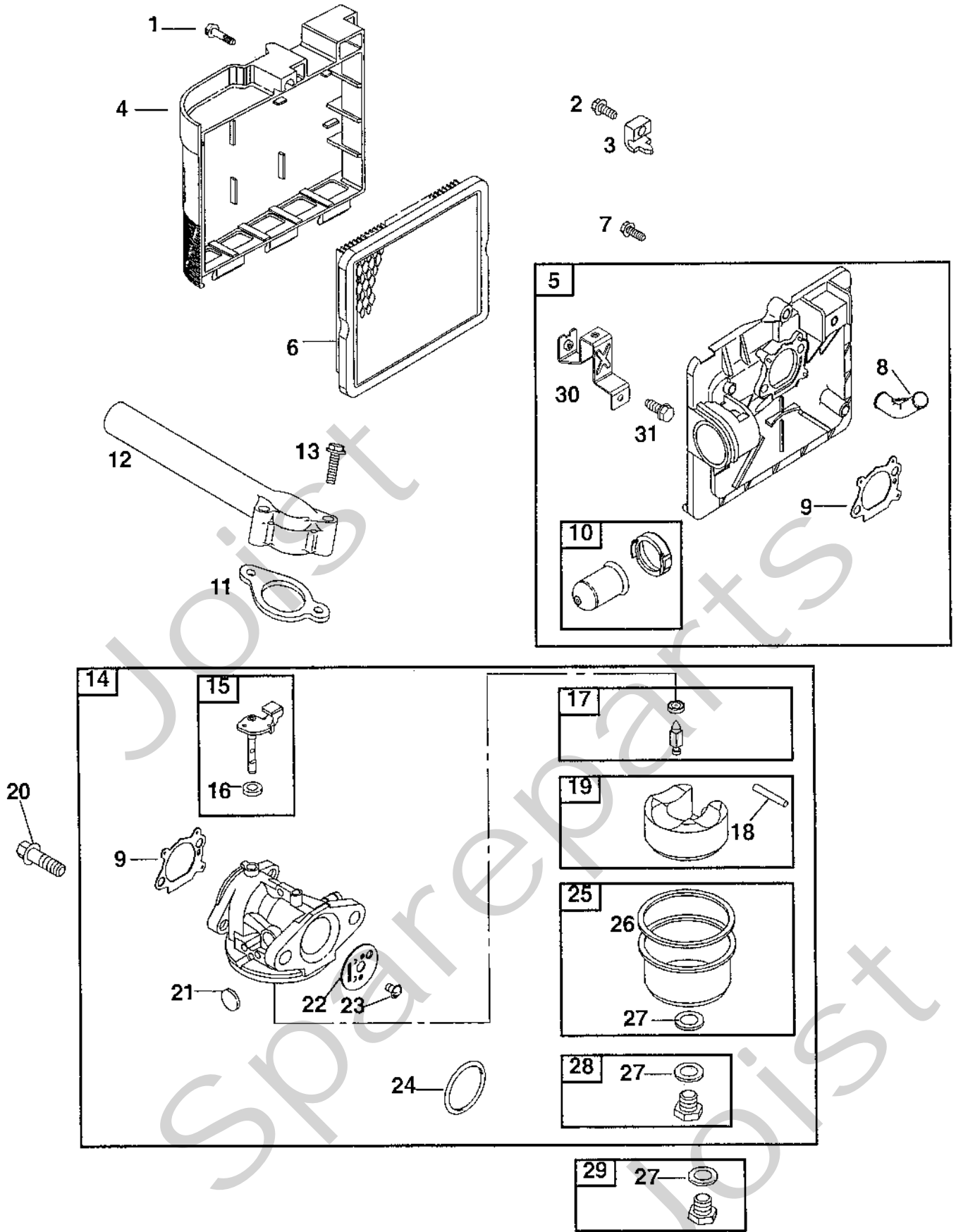


Utgåva Issue		Bildnr Picture No		BRIGGS & STRATTON 12H802, 12H807 BRÄNSLETANK REGULATOR		BRIGGS & STRATTON 12H802, 12H807 FUEL TANK GOVERNOR		Sida Page	
2003-43		1275						354	
Pos. Fig.	Antal/Quantity			Art nr Part No	Benämning	Description	Sats Kit	Anmärkning Notes	
	12H 802- 1935	12H 807- 1936	12H 802- 1966						
A01	1	1	1	691757	Lock.....	Control cover			
A02	1	1	1	690664	Skruv	Screw			
A03	4	4	4	691108	Skruv	Screw			
A04	1	1	1	493293	Fläkthus	Blower housing			
A05	1	1	1	690595	Lock.....	Brake cover			
A06	1		1	691050	Bränsleslang	Fuel line.....			
A06		1		691371	Bränsleslang	Fuel line.....			
A07	2	2	2	95162	Slangklämma.....	Hose clamp			
A08	1	1	1	495224	Bränsletank.....	Fuel tank			
A09	2	2	2	690940	Skruv	Screw			
A10	1	1	1	397974	• Tanklock	• Fuel cap.....			
A11	1	1	1	692311	Skruv/bricka	Screw/washer			
A12	1	1	1	692294	Distans	Spacer			
A13	1	1	1	692038	Ljuddämpare	Muffler			
A14	1	1	1	691740	• Låsbleck	• Screw lock			
A15	2	2	2	691340	• Skruv	• Screw			
A16	1	1	1	499034	Skydd	Guard			
A17	2	2	2	690664	• Skruv	• Screw			
A18		2		691648	Skruv	Screw			
A19		1		691991	Generator.....	Alternator			
A20		2		691094	Pinnbult	Stud			
A21		1		696547	Kablage.....	Wiring harness			
A22	1	1	1	692390	Stoppkabel.....	Stop wire			
A23	2	2	2	691061	Skruv	Screw			
A24	1	1	1	802574	Tändsystem	Magneto armature			
A25	1	1	1	493880	• Anslutningshylsa	• Terminal			
A26	1	1	1	692031	Reglageplåt.....	Control bracket			
A27	2	2	2	692310	• Stoppkontakt	• Stop switch			
A28	1	1	1	493823	• Distans	• Spacer			
A29	2	2	2	690877	Skruv	Screw			
A30	1	1	1	690340	Hållare	Retainer			
A31	1	1	1	690272	Bricka	Washer			
A32	1	1	1	691308	Regulatoraxel.....	Governor crank			
A32			1	698801	Regulatoraxel.....	Governor crank			
A33	1	1	1	691292	Regulatorfjäder.....	Governor spring			
A34	1	1	1	691829	Regulatorlänk	Governor link			
A35	1	1	1	690783	Regulatorarm.....	Govern. control lever			
A36	1	1	1	92613	• Skruv	• Screw			
A37	1	1	1	231082	• Mutter.....	• Nut			
A37			1	691251	• Mutter.....	• Nut			
A38	2	2	2	691648	Skruv	Screw			
A39	1	1	1	691994	Broms.....	Brake			
A40	1	1	1	691831	• Bromsfjäder.....	• Brake spring			
A41		1		499421	Brytare	Switch			
A42		1		691627	• Skruv	• Screw			
A53	1	1	1	694086	Svänhjulsskydd	Flywheel guard			
A54	1	1	1	691108	Skruv	Screw			

2 st/includes 2

X

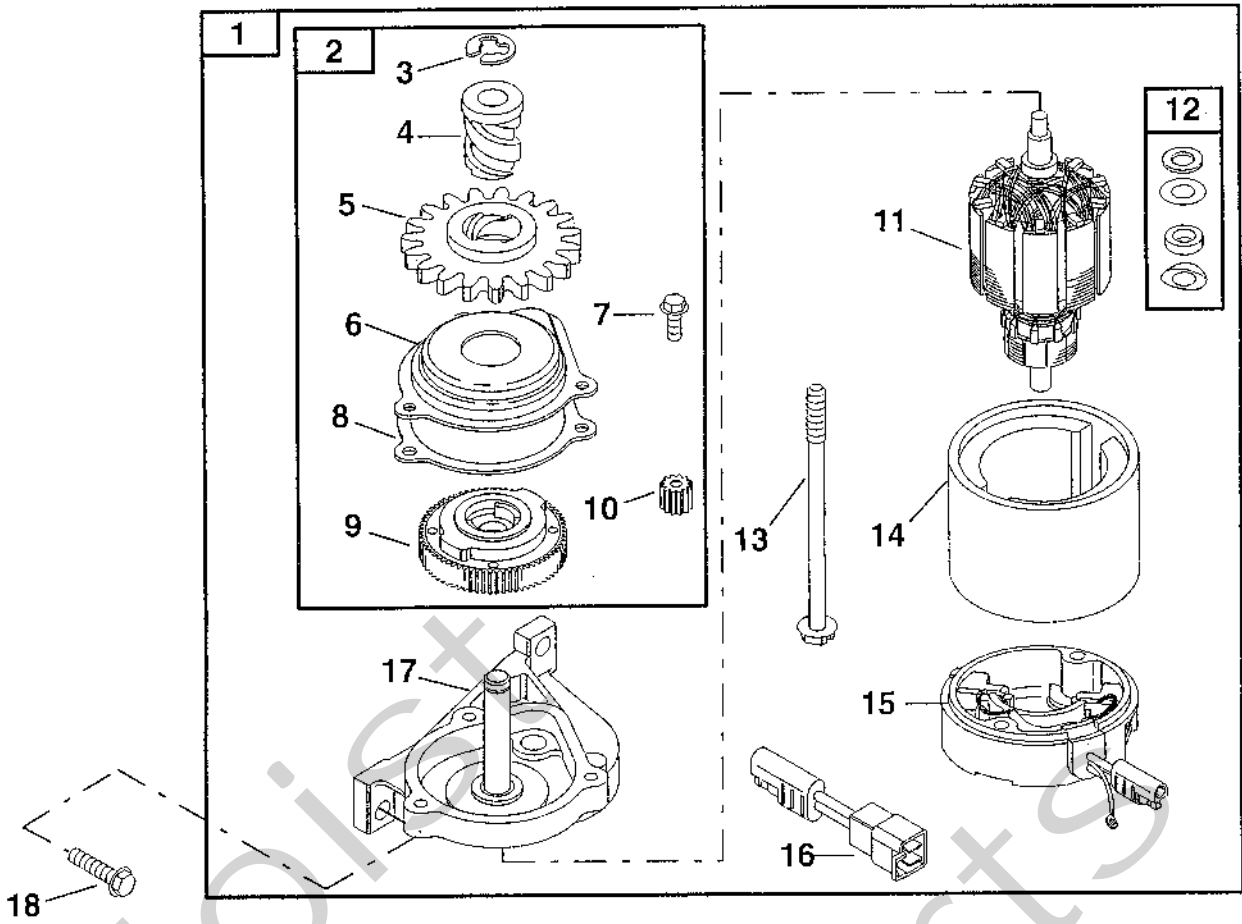
A



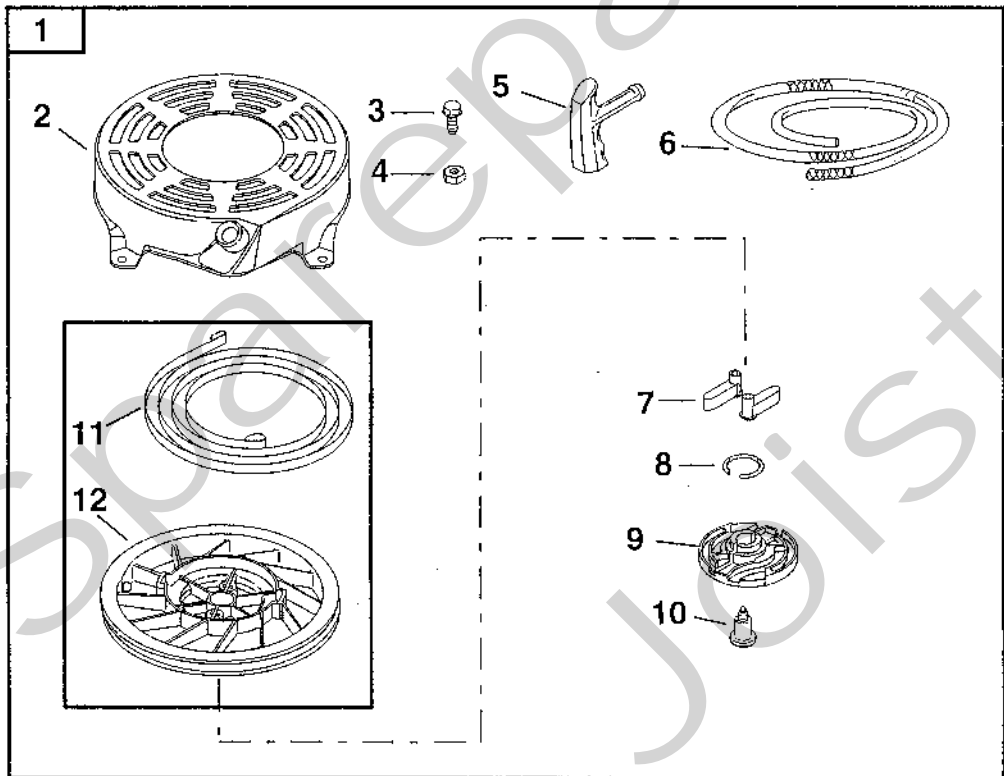
Utgåva Issue		Bildnr Picture No		BRIGGS & STRATTON 12H802, 12H807 LUFTFILTER FÖRGASARE		BRIGGS & STRATTON 12H802, 12H807 AIR CLEANER CARBURETTOR		Sida Page
2003- 43		1276A						356
Pos. Fig.	Antal/Quantity			Art nr Part No	Benämning	Description	Sats Kit	Anmärkning Notes
	12H 802- 1935	12H 807- 1936	12H 802- 1966					
A01	1	1	1	690670	Skruv	Screw		
A02	1	1	1	691044	Skruv	Screw		
A03	1	1	1	690798	Wireklämma	Casing clamp		
A04	1	1	1	692298	Luftrenarlock	Air cleaner cover		
A05	1	1	1	496116	Luftrenarfäste	Air cleaner base		
A06	1	1	1	491588	Pappersfilter	Air filter		
A07	2	2	2	692523	Skruv	Screw		
A08	1	1	1	691923	• Hylsa	• Grommet		
A09	1	1	1	272653	• Packning	• Gasket		
A10	1	1	1	694395	• Primer	• Primer		
A11	1	1	1	272199	Packning	Gasket		
A12	1	1	1	497465	Insugningsrör	Intake pipe		
A13	2	2	2	691650	Skruv	Screw		
A14	1	1	1	498170	Förgasare kpl	Carburettor assy		
A15	1	1	1	696565	• Spjällaxel	• Throttle shaft		
A16	1	1	1	691321	• • Dammtätning	• • Dust seal		
A17	1	1	1	398188	• Bränslenål	• Inlet valve		
A18	1	1	1	691242	• • Flottöraxel	• • Float hinge pin		
A19	1	1	1	398187	• Flottör	• Float		
A20	2	2	2	692524	Skruv	Screw		
A21	1	1	1	694468	• Expansionsbricka	• Welch plug		
A22	1	1	1	696564	• Gasspjäll	• Throttle valve		
A23	1	1	1	691636	• Skruv	• Screw		
A24	1	1	1	270344	• Tätning	• Seal		
A25	1	1	1	493640	• Flottörhus	• Bowl		
A26	1	1	1	693981	• • Packning	• • Gasket		
A27	1	1	1	271716	• Tätningsbricka	• Sealing washer		
A28	1	1	1	498978	• Huvudmunstycke	• Main jet		
A29	1	1	1	497466	Huvudmunstycke	Main jet		
A30	1	1	1	691753	• Fäste	• Bracket		
A31	1	1	1	691669	• Skruv	• Screw		

Standard
High altitude

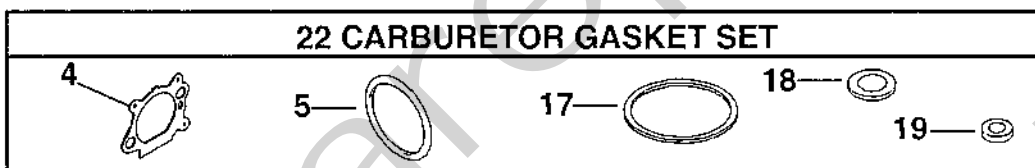
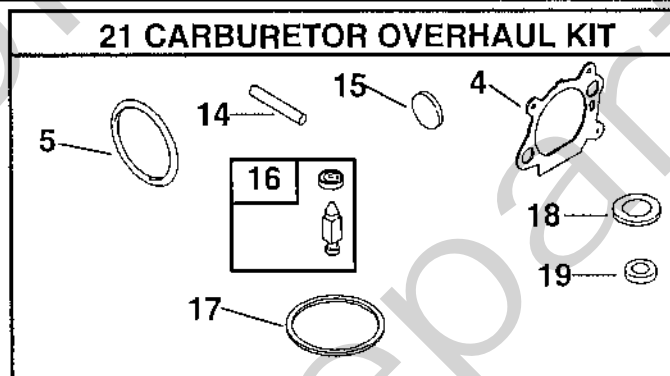
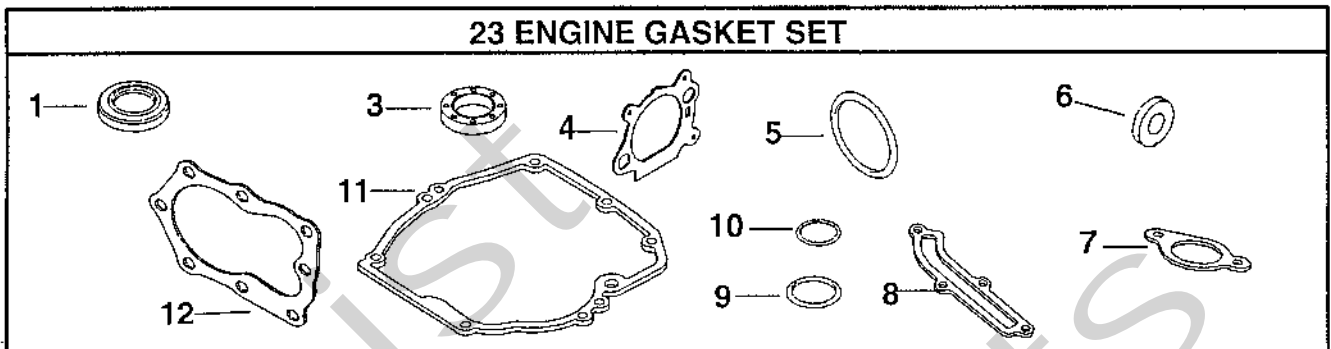
A



B



Utgåva Issue		Bildnr Picture No		BRIGGS & STRATTON 12H802, 12H807 STARTMOTOR SNÖRSTART		BRIGGS & STRATTON 12H802, 12H807 STARTER MOTOR REWIND STARTER		Sida Page	
2003-43		1277						358	
Pos. Fig.	Antal/Quantity			Art nr Part No	Benämning	Description	Sats Kit	Anmärkning Notes	
	12H 802- 1935	12H 807- 1936	12H 802- 1966						
A01		1		695550	Startmotor kpl	Starter motor assy			
A02		1		494147	• Drev kpl	• Drive kit			
A03		1		93941	•• Låsring	•• Retainer			
A04		1		691325	•• Snäckdrev	•• Starter spline			
A05		1		691918	•• Drev	•• Pinion gear			
A06		1		692341	•• Lock	•• Cover			
A07		3		690345	•• Skruv	•• Screw			
A08		1		692352	•• Packning	•• Gasket			
A09		1		692358	•• Koppling	•• Drive clutch			
A10		1		691269	•• Drev	•• Pinion gear			
A11		1		690786	• Rotor	• Starter armature			
A12		1		492919	• Brickor	• Washer set			
A13		2		692327	• Bult	• Bolt			
A14		1		695266	• Starthus	• Starter housing			
A15		1		695267	• Bottenkåpa	• End cap			
A16		1		695268	• Kabeladapter	• Wire adapter			
A17		1		690782	• Lock	• Drive cap			
A18		2		691127	Skruv	Screw			
B01	1	1	1	497680	Start kpl	Starter assy			
B02	1	1	1	691421	• Starthus	• Starter housing			
B03	4	4	4	690837	• Skruv	• Screw			
B04	4	4	4	690800	• Mutter	• Nut			
B05	1	1	1	281434	• Starthandtag	• Handle			
B06	1	1	1	692259	• Startsnöre	• Starter rope			
B07	2	2	2	281505	• Startklo	• Starter pawl			
B08	1	1	1	691855	• Friktionsfjäder	• Friction spring			
B09	1	1	1	692299	• Spärrplatta	• Pawl friction plate			
B10	1	1	1	691696	• Skruv	• Screw			
B11	1	1	1	498144	• Linhjul m.fjäder	• Pulley/spring			
B12	1	1	1	498144	• Linhjul m.fjäder	• Pulley/spring			



Utgåva Issue 2003-43		Bildnr Picture No 1278A		BRIGGS & STRATTON 12H802, 12H807 PACKNINGSSATS		BRIGGS & STRATTON 12H802, 12HB07 GASKET SET		Sida Page 360	
Pos. Fig.	Antal/Quantity			Art nr Part No	Benämning	Description	Sats Kit	Anmärkning Notes	
	12H 802- 1935	12H 807- 1936	12H 802- 1966						
A01	1	1	1	299819	• Tätningsring	• Oil seal			
A03	1	1	1	399781	• Tätningsring	• Oil seal			
A04	1	1	1	272653	• Packning	• Gasket			
A05	1	1	1	270344	• Tätning	• Seal			
A06	1	1	1	493823	• Distans	• Spacer			
A07	1	1	1	272199	• Packning	• Gasket			
A08	1	1	1	691879	• Packning	• Gasket			
A09	1	1	1	691031	• O- ring	• O- ring			
A10	1	1	1	692296	• Tätningsring	• Tube seal			
A11	1	1	1	692232	• Packning	• Gasket			
A12	1	1	1	692249	• Packning	• Gasket			
A14	1	1	1	691242	• Flottöraxel	• Float hinge pin			
A15	1	1	1	694468	• Expansionsbricka	• Welch plug			
A16	1	1	1	398188	• Bränslenål	• Inlet valve			
A17	1	1	1	693981	• Packning	• Gasket			
A18	1	1	1	271716	• Tätningsbricka	• Sealing washer			
A19	1	1	1	691321	• Dammtätning	• Dust seal			
A21	1	1	1	498260	Rep.sats förgasare	Carb. overhaul kit			
A22	1	1	1	498261	Packn.sats- förg	Gasket set- carb.			
A23	1	1	1	497316	Packn.sats- motor	Gasket set- engine			