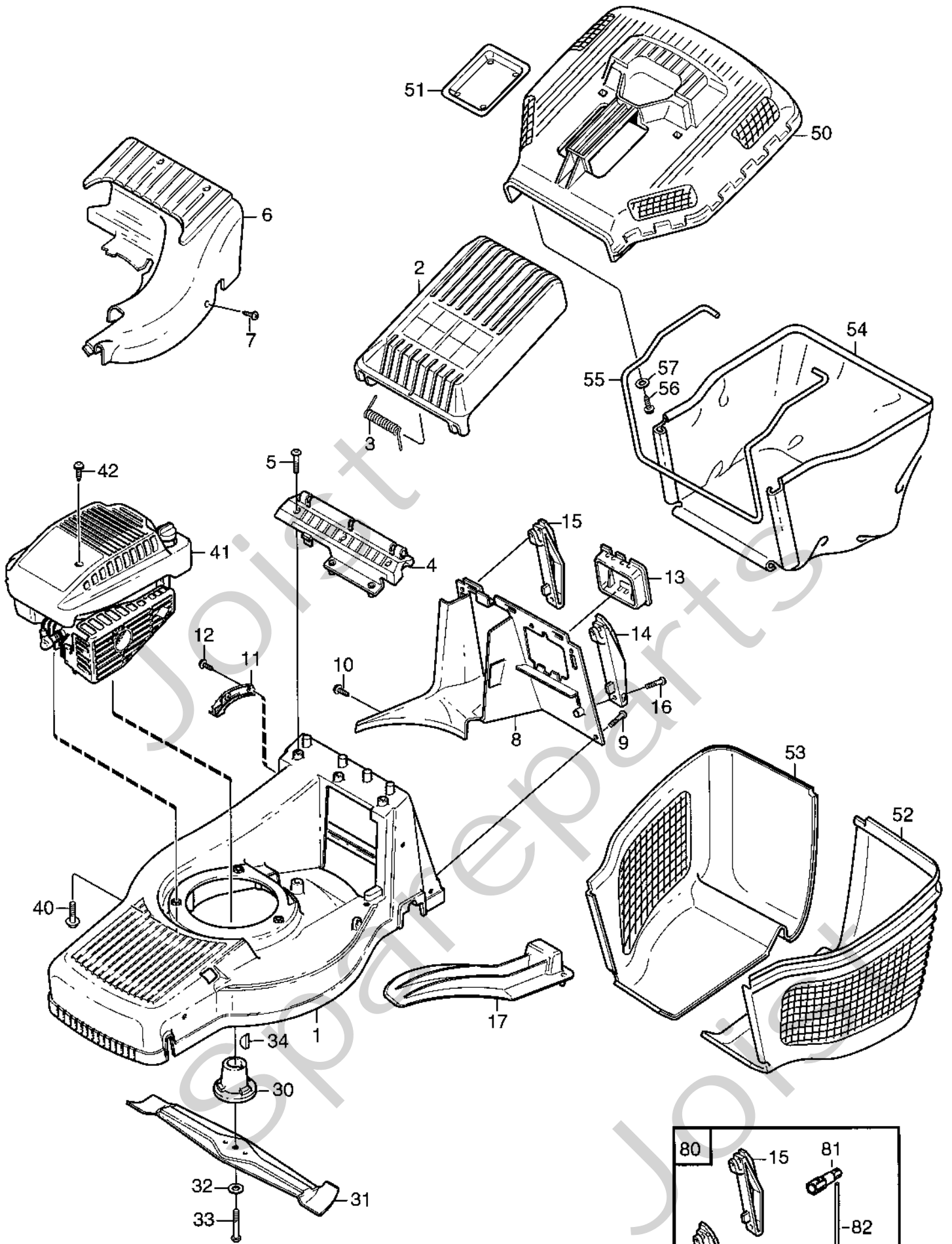


# Genuine Spare Parts

---

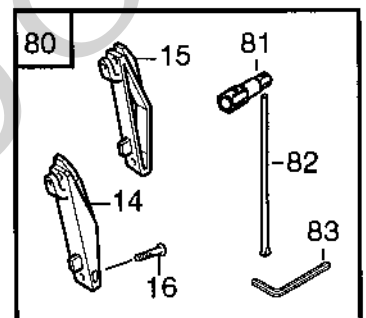


Joist  
Spareparts  
Joist

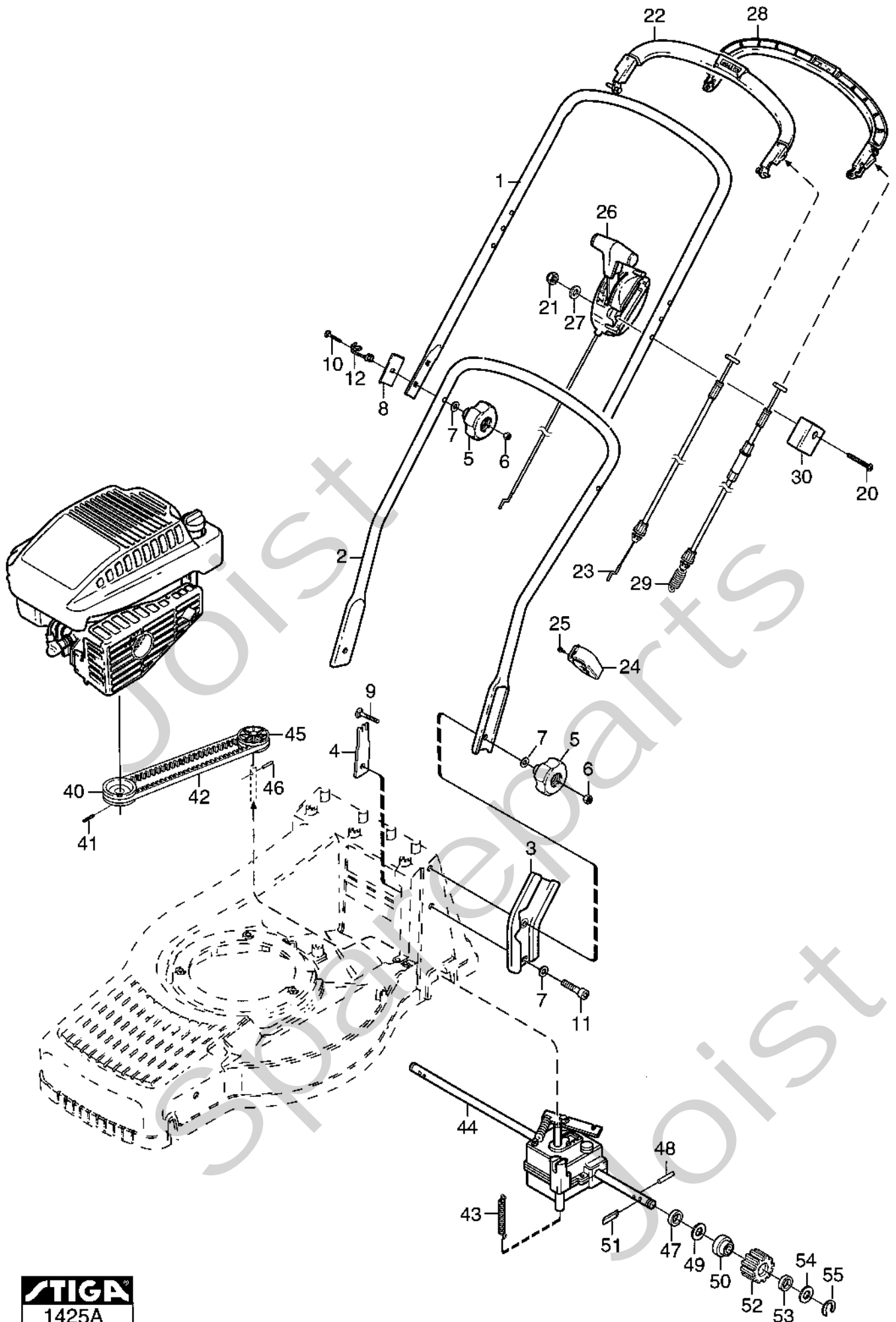


**STIGA**  
1371A  
SPARE PARTS

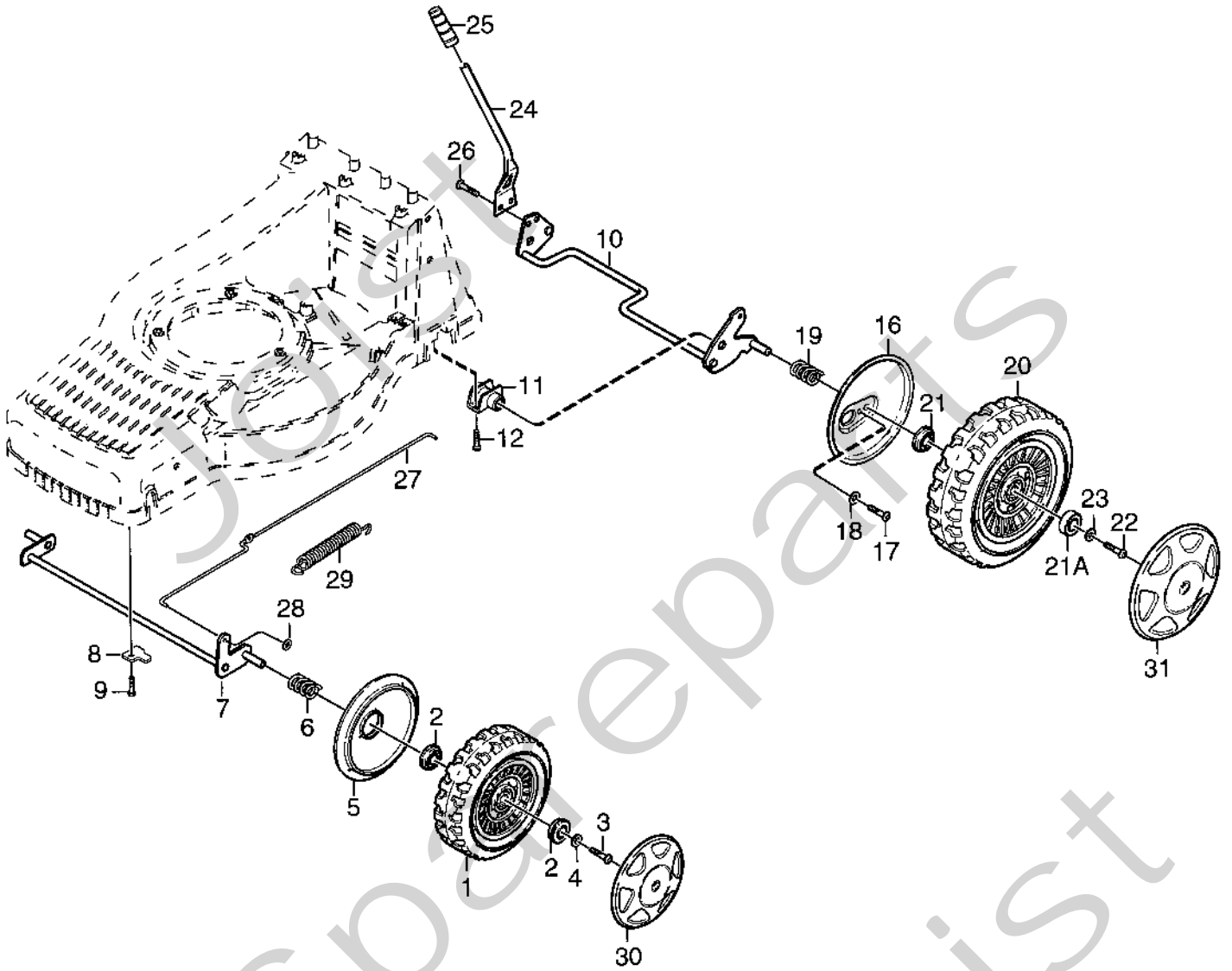
99  
DEKALIST



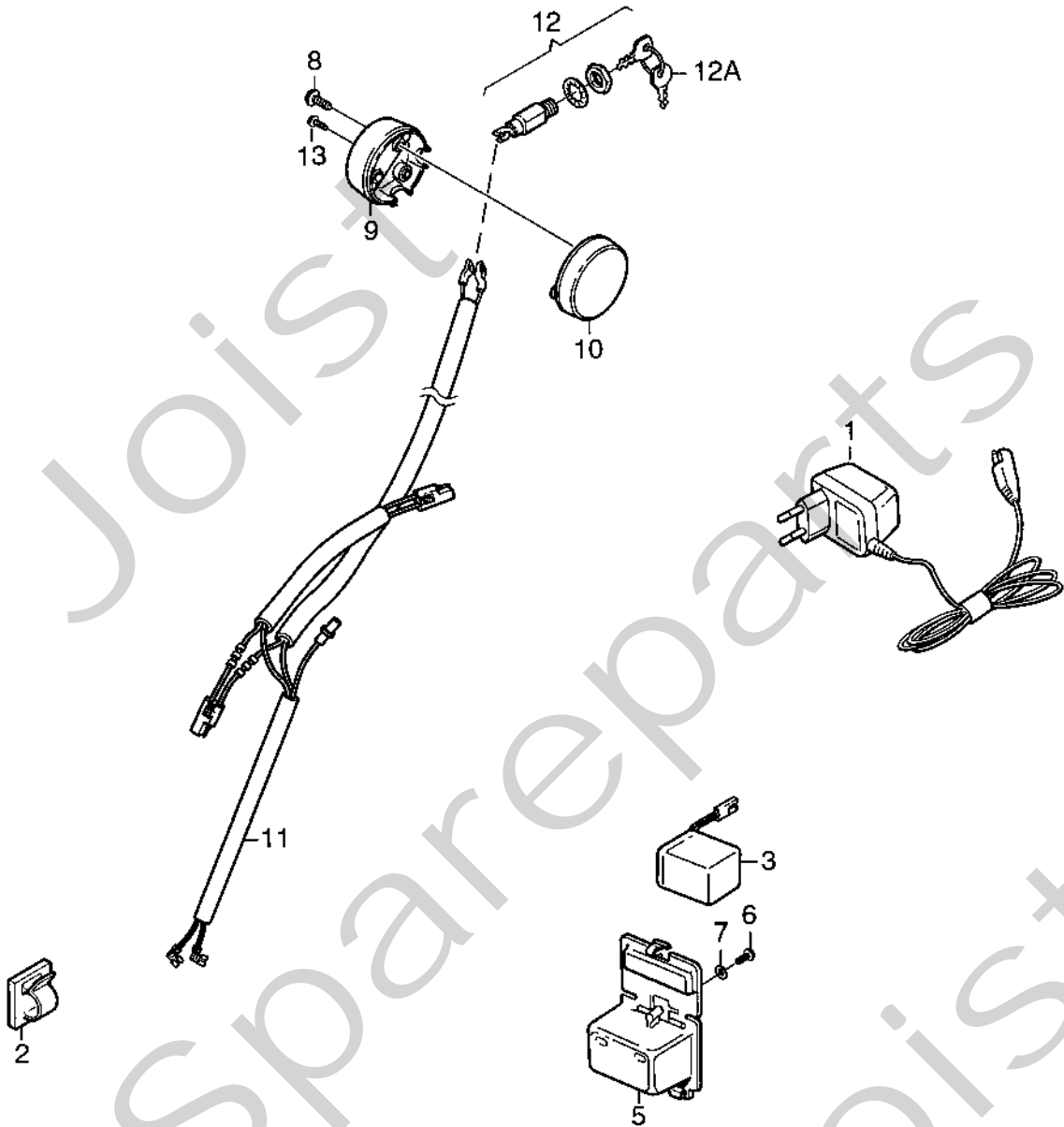
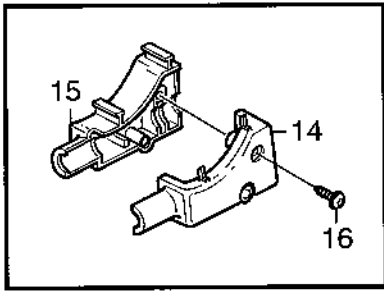
Utgåva Issue		Bildnr Picture No		TURBO 55S- 55SE HERKULES MB532 JARDIPRO JP55 BRICORAMA 53TA		TURBO 55S- 55SE HERKULES MB532 JARDIPRO JP55 BRICORAMA 53TA		Sida Page	
2003- 43		1371A						220	
Pos. Fig.	Antal/Quantity				Art nr Part No	Benämning	Description	Sats Kit	Anmärkning Notes
	9204 9286 9298 9498	9604 - 88 9686 - 88	9604 - 68 9644	9604 - 18 9686 - 18					
1	1				1111-3020-01	Chassi- gul .....	Chassis- yellow .....		
1		1			1111-3020-04	Chassi- röd .....	Chassis- red .....		
1			1		1111-3020-08	Chassi- grön .....	Chassis- green .....		
1				1	1111-3020-15	Chassi- silver .....	Chassis- silver .....		
2	1				1111-3283-01	Lucka- gul .....	Flap- yellow .....		
2		1		1	1111-3283-02	Lucka- svart .....	Flap- black .....		
2			1		1111-3283-18	Lucka- grön .....	Flap- green .....		
3	1	1	1	1	1111-2792-01	Fjäder .....	Spring .....		
4	1				1111-2793-01	Luckinfästning- gul .....	Flap attachm.- yellow .....		
4		1		1	1111-2793-02	Luckinfästning- svart .....	Flap attachm.- black .....		
4			1		1111-2793-18	Luckinfästning- grön .....	Flap attachm.- green .....		
5	3	3	3	3	9947-0616-16	Skruv .....	Screw .....		
6	1				1111-3019-01	Täckkåpa- gul .....	Cover- yellow .....		
6		1			1111-3019-04	Täckkåpa- röd .....	Cover- red .....		
6				1	1111-3019-06	Täckkåpa- grå .....	Cover- grey .....		
6			1		1111-3019-08	Täckkåpa- grön .....	Cover- green .....		
7	3	3	3	3	9838-9522-12	Skruv .....	Screw .....		
8	1	1	1	1	1111-3335-01	Bakstam .....	Rear attachment .....		
9	3	3	3	3	9947-0616-16	Skruv .....	Screw .....		
10	1	1	1	1	9838-9522-12	Skruv .....	Screw .....		
11	1	1	1	1	1111-2798-01	Höjdinst. segment .....	Height adj. quadrant .....		
12	2	2	2	2	9838-9522-12	Skruv .....	Screw .....		
13	1	1	1	1	1111-2927-01	Batterihållare .....	Battery holder .....		ej 9298- 18, 9698- 68
14	1	1	1	1	1111-3236-01	• Hållare- vä .....	• Attachment- LH .....		
15	1	1	1	1	1111-3237-01	• Hållare- hö .....	• Attachment- RH .....		
16	4	4	4	4	9836-9520-12	• Skruv .....	• Screw .....		
17	1	1	1	1	1111-3333-02	Mulcherplugg .....	Mulch plug .....		
30	1	1	1	1	1111-9070-01	Knivfäste .....	Blade holder .....		
31	1	1	1	1	1111-9091-01	Kniv .....	Blade .....		
32	1	1	1	1	9696-0011-01	Bricka .....	Washer .....		
33	1	1	1	1	9987-5251-12	Skruv .....	Screw .....		
34	1	1	1	1	9600-0014-00	Kil .....	Key .....		
40	3	3	3	3	9955-3732-12	Skruv .....	Screw .....		
41	1	1		1	1111-3352-01	Motorkåpa- svart .....	Engine cover- black .....		9286, 9298, 9686- 18, 88
41			1		1111-3352-02	Motorkåpa- grön .....	Engine cover- green .....		
42	2	2	2	2	9500-9907-01	Skruv .....	Screw .....		
50	1				1111-2840-01	Uppsamlarlock- gul .....	Top collector- yellow .....		
50		1		1	1111-2840-02	Uppsamlarlock- svart .....	Top collector- black .....		
50			1		1111-2840-18	Uppsamlarlock- grön .....	Top collector- green .....		
51	1	1	1	1	1111-2764-01	Täckbricka .....	Cover .....		
X	52	1			1111-2841-10	Uppsaml. under- vä .....	Collector lower- L .....		12- 9204- 18
X	53	1			1111-2842-10	Uppsaml. under- hö .....	Collector lower- R .....		9286, 9298, 9498
	54	1	1	1	1111-2844-01	Uppsamlingssock- svart .....	Collecting bag- black .....		12- 9204- 58
	55	1	1	1	1111-2843-01	Trådbygel .....	Wire clamp .....		
	56	2	2	2	9838-9522-12	Skruv .....	Screw .....		
	57	2	2	2	9699-0100-02	Bricka .....	Washer .....		
X	80	1	1	1	1111-3569-01	Tillbehörspåse .....	Accessory bag .....		Inkl. pos 14- 16, 81- 83
X	81	1	1	1	1111-2921-01	• Tändstiftsnyckel .....	• Spark plug wrench .....		
X	82	1	1	1	1111-2113-01	• Vridpinne .....	• Rod .....		
	83	1	1	1	9900-0060-00	• Insexnyckel .....	• Allen wrench .....		
X	99	1			1111-3588-03	Dekalsats .....	Label kit .....		STIGA



Utgåva Issue		Bildnr Picture No		TURBO 55S-55SE HERKULES MB532 JARDIPRO JP55 BRICORAMA 53TA		TURBO 55S-55SE HERKULES MB532 JARDIPRO JP55 BRICORAMA 53TA		Sida Page	
2003-43		1425A						226	
Pos. Fig.	Antal/Quantity				Art nr Part No	Benämning	Description	Sats Kit	Anmärkning Notes
	9286 9296 9298	9686 9698	9204 9604 -18 -68	9644 -68					
1	1	1	1	1	1111-2957-01	Styre-överdel .....	Handle-upper .....		
1	1			1	1111-3461-01	Styre-överdel .....	Handle-upper .....		9204-48, 9296-48
2	1	1	1	1	1111-3022-01	Styre-underdel .....	Handle-lower .....		
2	1			1	1111-3428-01	Styre-underdel .....	Handle-lower .....		9204-48, 9296-48
3	2	2	2	2	1111-3021-01	Styrinfästning .....	Handlebar attachment .....		
4	2	2	2	2	1111-3024-01	Fästplatta .....	Attachment plate .....		
5	4	4	4	4	1111-3023-01	Låsraff .....	Locking knob .....		
6	4	4	4	4	9795-3531-02	Mutter .....	Nut .....		
7	6	6	6	6	9699-0028-02	Planbricka .....	Flat washer .....		
8	2	2	2	2	1111-0178-00	Förstärkning .....	Reinforcement .....		
9	2	2	2	2	9899-3545-12	Skruv .....	Screw .....		L = 45 mm
9	2	2	2	2	9899-3557-12	Skruv .....	Screw .....		L = 57 mm
10	2	2	2	2	9899-3557-12	Skruv .....	Screw .....		L = 57 mm
11	2	2	2	2	9939-0820-16	Skruv .....	Screw .....		
12	1	1	1	1	1111-3062-01	Ögla .....	Eyelink .....		
20	1			1	9948-0640-16	Skruv .....	Screw .....		L = 40 mm
20		1		1	9948-0660-16	Skruv .....	Screw .....		L = 60 mm
20			1	1	9948-0670-16	Skruv .....	Screw .....		L = 70 mm
21	1	1	1	1	9747-0631-02	Låsmutter .....	Lock nut .....		
22	1	1	1	1	1111-2953-01	Manöverbygel .....	Control handle .....		
23	1	1			1111-2968-02	Motorbromswire .....	Engine brake cable .....		
23			1	1	1111-2968-07	Motorbromswire .....	Engine brake cable .....		
X 23				1	1111-3556-01	Motorbromswire .....	Engine brake cable .....		
24	2	2	2	2	1111-2018-01	Kabelhållare .....	Cable holder .....		
25	2	2	2	2	9836-9216-12	Skruv .....	Screw .....		
26			1		1111-3301-03	Gasreglage .....	Throttle control .....		Honda
X 26		1			1111-3351-01	Gasreglage .....	Throttle control .....		B&S
27		1		1	1111-3557-01	Gasreglage .....	Throttle control .....		Tecumseh
27		1		1	9699-0060-02	Planbricka .....	Flat washer .....		
28	1	1	1	1	1111-2954-01	Manöverbygel .....	Control handle .....		
29	1	1	1	1	1111-3388-01	Kopplingswire .....	Clutch cable .....		
30	1	1	1	1	1111-2969-01	Wirefäste .....	Cable attachment .....		
40	1	1	1	1	1111-2915-01	Motorremskiva .....	Engine belt pulley .....		
41	1	1	1	1	9910-0612-16	Stoppskruv .....	Set screw .....		
42	1	1	1	1	1111-9064-01	Drivrem .....	V-belt .....		
43	1	1	1	1	1111-2822-01	Dragfjäder .....	Tension spring .....		
44	1	1	1	1	1111-3393-01	Transmission .....	Transmission .....		
44A	1	1	1	1	1111-3446-01	Fjäder .....	Spring .....		Ej ill/not ill.
45	1	1	1	1	1111-3440-01	Remskiva .....	Belt pulley .....		
46	1	1	1	1	9595-0235-00	Spännstift .....	Locating pin .....		
47	2	2	2	2	9404-0083-00	Tätningring .....	Seal ring .....		
48	2	2	2	2	1111-2382-01	Cyl.pinne .....	Pin .....		
49	2	2	2	2	9695-0013-00	Bricka .....	Washer .....		
50	2	2	2	2	1111-2829-01	Låsbricka .....	Lock washer .....		
51	2	2	2	2	1111-3256-01	Drivkil .....	Drive key .....		
52	2	2	2	2	1111-3075-01	Kugghjul-plasthjul .....	Pinion-plastic wheel .....		
52	2	2	2	2	1111-3230-01	Kugghjul-alum.hjul .....	Pinion-alum. wheel .....		9204-48, 9296, 9686-88
53	2	2	2	2	1111-2830-01	Stödbricka .....	Support washer .....		
54	2	2	2	2	9695-0013-00	Bricka .....	Washer .....		
55	2	2	2	2	9652-0010-04	Låsring .....	Snap .....		



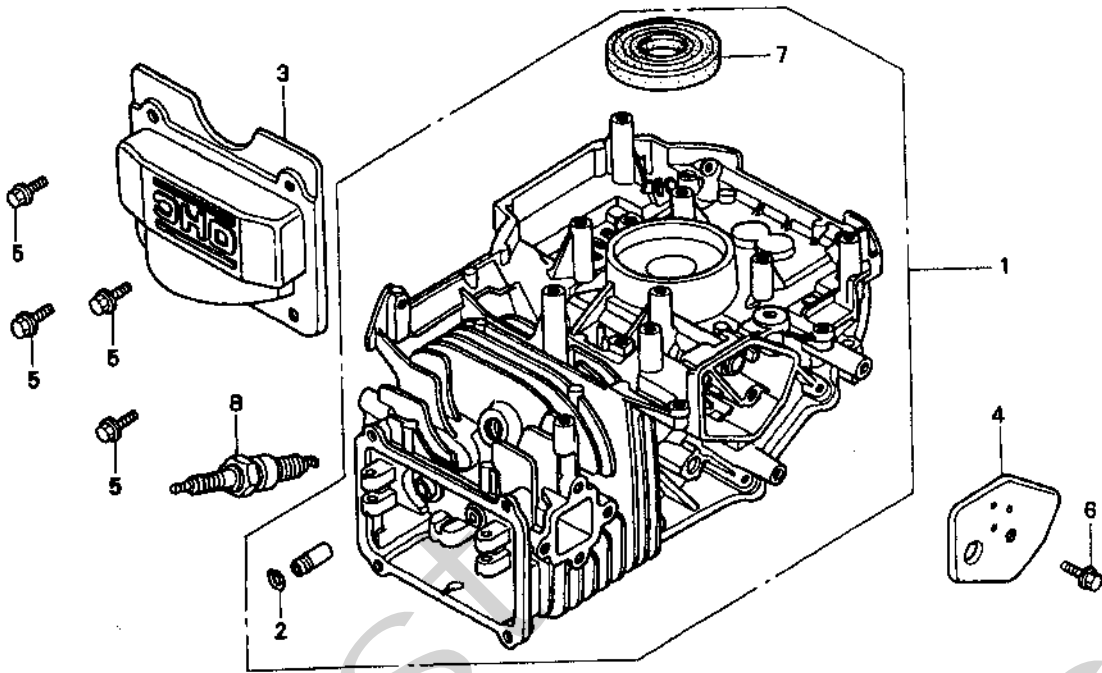
Utgåva Issue		Bildnr Picture No		TURBO 55S- 55SE JARDIPRO JP55 BRICORAMA 53TA HJULUPPHÄNGNING		TURBO 55S- 55SE JARDIPRO JP55 BRICORAMA 53TA WHEEL SUSPENSION		Sida Page	
2003- 43		1429						230	
Pos. Fig.	Antal/Quantity				Art nr Part No	Benämning	Description	Sats Kit	Anmärkning Notes
	9204 -18 -58	9286 9298 9498	9604 -18 -68 9644	9686 -18 9698					
1	2	2	2	2	1111-2784-01	Hjul kpl.....	Wheel assy.....		
2	2	2	2	2	1111-3296-01	• Kullager .....	• Ball bearing .....		
3	2	2	2	2	9943-0612-16	Skruv .....	Screw .....		
4	2	2	2	2	9699-0100-02	Bricka .....	Washer.....		
5	2	2	2	2	1111-2785-01	Täckbricka .....	Wheel cover .....		
6	2	2	2	2	1111-1138-01	Fjäder.....	Spring .....		
7	1	1	1	1	1111-3466-02	Framaxel .....	Front axle .....		
8	2	2	2	2	1111-1504-01	Överfall .....	Retainer .....		
9	2	2	2	2	9947-0616-16	Skruv .....	Screw .....		
10	1	1	1	1	1111-2808-01	Bakaxel .....	Rear axle .....		
11	2	2	2	2	1111-2814-01	Bussning .....	Bushing.....		
12	4	4	4	4	9947-0616-16	Skruv .....	Screw .....		
16	2	2	2	2	1111-3395-01	Täckplåt.....	Cover plate.....		
17	2	2	2	2	9943-0610-16	Skruv .....	Screw .....		
18	2	2	2	2	9699-0060-02	Planbricka.....	Flat washer.....		
19	2	2	2	2	1111-3060-01	Fjäder.....	Spring .....		
20	2	2	2	2	1111-3026-01	Hjul m.kullager .....	Wheel w.ball bearings .....		
21	1	1	1	1	1111-3296-01	• Kullager .....	• Ball bearing .....		
21 A	1	1	1	1	9549-0001-00	• Kullager .....	• Ball bearing .....		
22	2	2	2	2	9943-0612-16	Skruv .....	Screw .....		
23	2	2	2	2	9699-0100-02	Bricka .....	Washer.....		
24	1	1	1	1	1111-2816-01	Spak .....	Height adj.lever.....		
25	1	1	1	1	1111-2817-01	Handtag .....	Lever knob .....		
26	2	2	2	2	9943-0612-16	Skruv .....	Screw .....		
27	1	1	1	1	1111-3031-01	Dragstång.....	Height adj.rod .....		
28	2	2	2	2	9675-0011-00	Starlock .....	Starlock .....		
29	1	1	1	1	1111-2819-01	Fjäder.....	Spring .....		
30	2	2	2	2	1111-3084-01	Navkapsel-gul .....	Hub cap-yellow.....		
30			2	2	1111-3084-07	Navkapsel-grå .....	Hub cap-grey.....		9604-18, 9686-18
30	2				1111-3443-01	Navkapsel-silver.....	Hub cap-silver .....		9204-58
31	2	2	2	2	1111-3086-01	Navkapsel-gul .....	Hub cap-yellow.....		
31			2	2	1111-3086-07	Navkapsel-grå .....	Hub cap-grey.....		9604-18, 9686-18
31	2				1111-3444-01	Navkapsel-silver.....	Hub cap-silver .....		9204-58



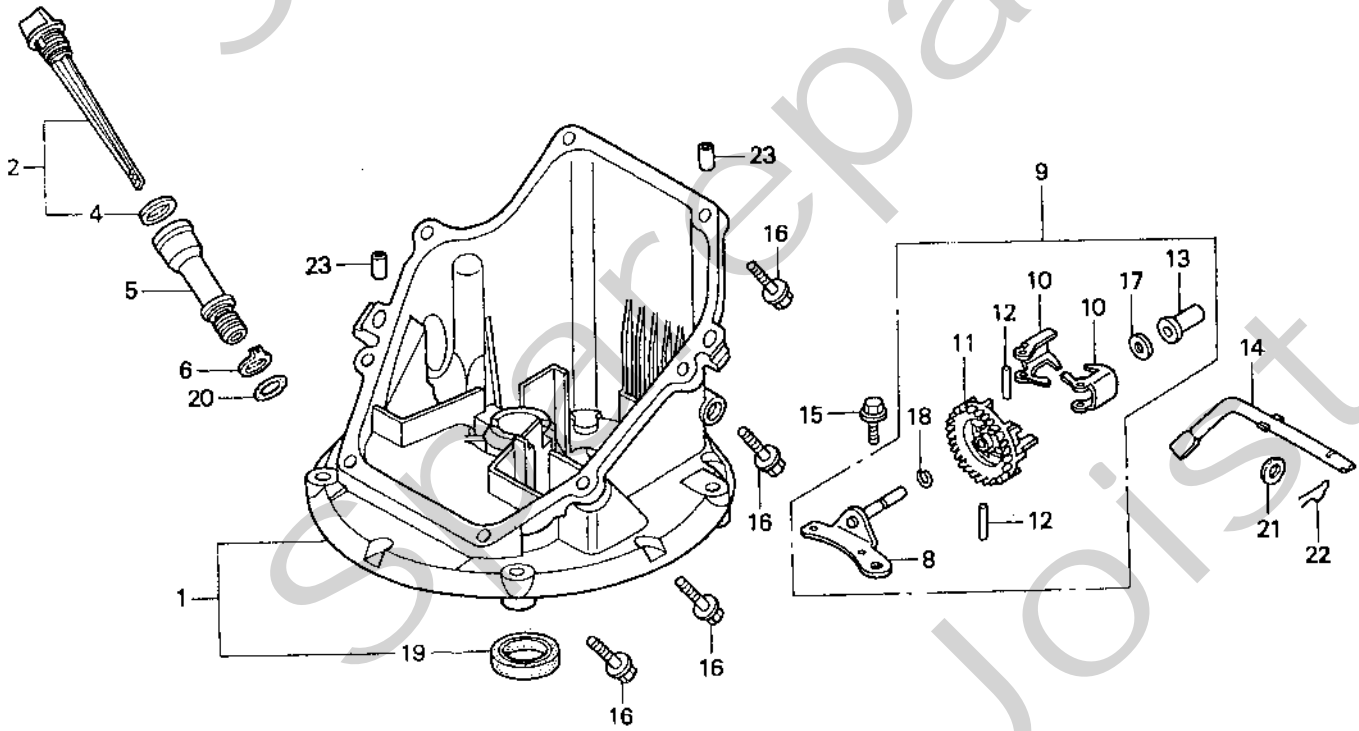


Utgåva Issue 2003-43		Bildnr Picture No 1423A		TURBO 55SE JARDIPRO JP55 ELSTART		TURBO 55SE JARDIPRO JP55 ELECTRIC STARTER		Sida Page 234	
Pos. Fig.	Antal/Quantity			Art nr Part No	Benämning	Description	Sats Kit	Anmärkning Notes	
	9298 9698	9498							
X	1	1	1	9400-0219-00	Batteriladdare .....	Charger .....			
	2	1	1	9401-0200-00	Kabelhållare .....	Cable holder .....			
	3	1	1	1111-3558-01	Batteri .....	Battery .....			
	5	1	1	1111-3339-01	Batteribox .....	Battery holder .....			
	6	1	1	9838-9220-12	Skruv .....	Screw .....			
	7	1	1	9699-0060-02	Planbricka .....	Flat washer .....			
	8	2		9838-9540-12	Skruv .....	Screw .....			
	9	1		1111-2020-01	Hus .....	Housing .....			
	10	1		1111-2021-01	Lock .....	Cover .....			
	11	1	1	1111-3344-01	Kabelhärva .....	Harness .....			
	12	1	1	9400-0186-00	Tändningslås kpl. ....	Starting switch assy .....			
	12A	1	1	1134-2848-01	Tändningsnyckel .....	Ignition key .....			
	13	1		9838-9216-12	Skruv .....	Screw .....			
	14		1	1111-2705-01	Lock .....	Cover .....			
	15		1	1111-2707-01	Hus .....	Housing .....			
	16		2	9838-9522-12	Skruv .....	Screw .....			

A

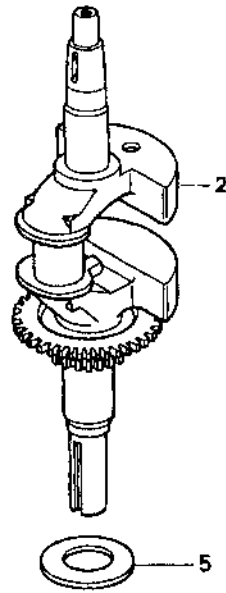


B

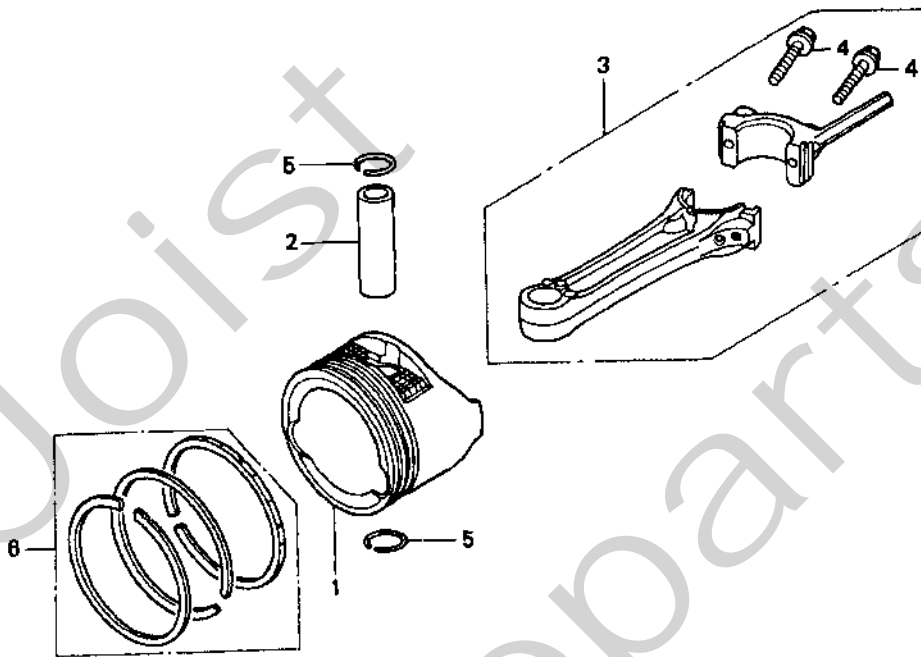


Utgåva Issue		Bildnr Picture No		HONDA GCV 135, 160 CYLINDER VEVHUS		HONDA GCV 135, 160 CYLINDER CRANKCASE		Sida Page
2003-43		956A						390
Pos. Fig.	Anta/Quantity			Art nr Part No	Benämning	Description	Sats Kit	Anmärkning Notes
	GCV 135 A2G7	GCV 160 A2G7						
X	A01		1	12000ZL8415	Cylinder .....	Cylinder .....		Champion RN9YC
X	A01	1		12000ZL9415	Cylinder .....	Cylinder .....		
	A02	1	1	12216ZE5300	• Låsring .....	• Clip .....		
	A03	1	1	12311ZL8000	Lock .....	Cover .....		
	A04	1	1	12355ZL8000	Lock .....	Cover .....		
	A05	4	4	90013883000	Bult .....	Boit .....		
	A06	1	1	90014952000	Bult .....	Bolt .....		
	A07	1	1	91201ZL8003	• Tättningsring .....	• Oil seal .....		
	A08	1	1	9400-0289-01	Tändstift .....	Spark plug .....		
X	B01	1	1	11300ZM0811	Vevhus .....	Oil pan .....		
	B02	1	1	15650ZM0801	Oljesticka .....	Oil dipstick .....		
	B04	1	1	15625ZE6000	• Packning .....	• Gasket .....		
	B05	1	1	15631ZM0000	Oljepåfyllningsrör .....	Oil filler extension .....		
	B06	1	1	15639ZM0000	Bricka .....	Washer .....		
X	B08	1	1	16508ZM0010	• Axel .....	• Shaft .....		
X	B09	1	1	16510ZM0010	Regulator kpl .....	Governor assy .....		
	B10	2	2	16511ZL8000	• Vikt .....	• Weight .....		
	B11	1	1	16512ZM0000	• Vikthållare .....	• Weight holder .....		
	B12	2	2	16513ZE1000	• Stift .....	• Pin .....		
	B13	1	1	16531ZE1000	• Glidhylsa .....	• Slider .....		
	B14	1	1	16541ZM0000	Regulatorarm .....	Shaft .....		
	B15	1	1	90014952000	Bult .....	Boit .....		
	B16	8	8	90121952000	Bult .....	Boit .....		
	B17	1	1	90451ZE1000	• Bricka .....	• Washer .....		
	B18	1	1	90602ZE1000	• Låsring .....	• Clip .....		
	B19	1	1	91202ZL8003	• Tättningsring .....	• Oil seal .....		
X	B20	1	1	91303ZM0003	O-ring .....	O-ring .....		
	B21	1	1	9410106800	Bricka .....	Washer .....		
	B22	1	1	9425108000	Låspinne .....	Lock pin .....		
	B23	2	2	9430108200	Styrpinne .....	Dowel pin .....		

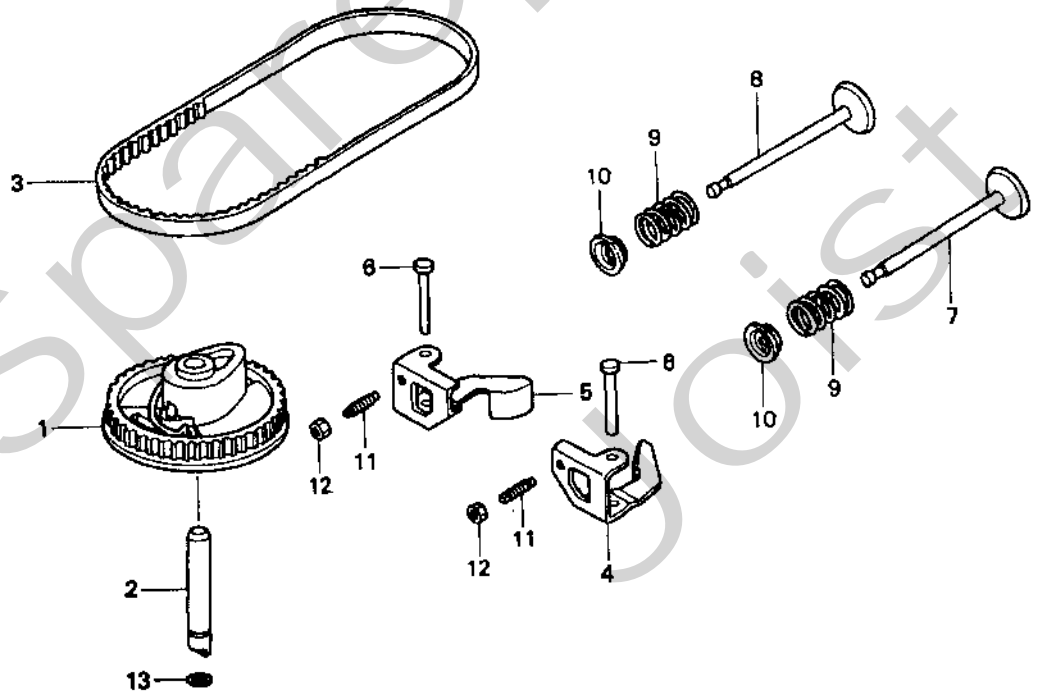
A



B



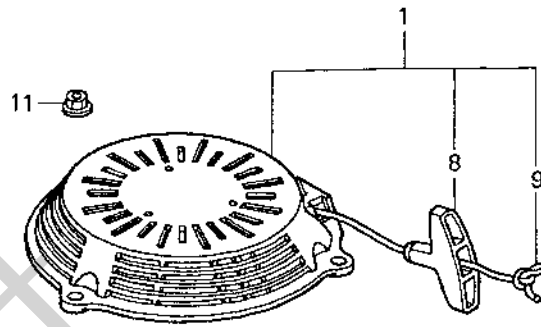
C



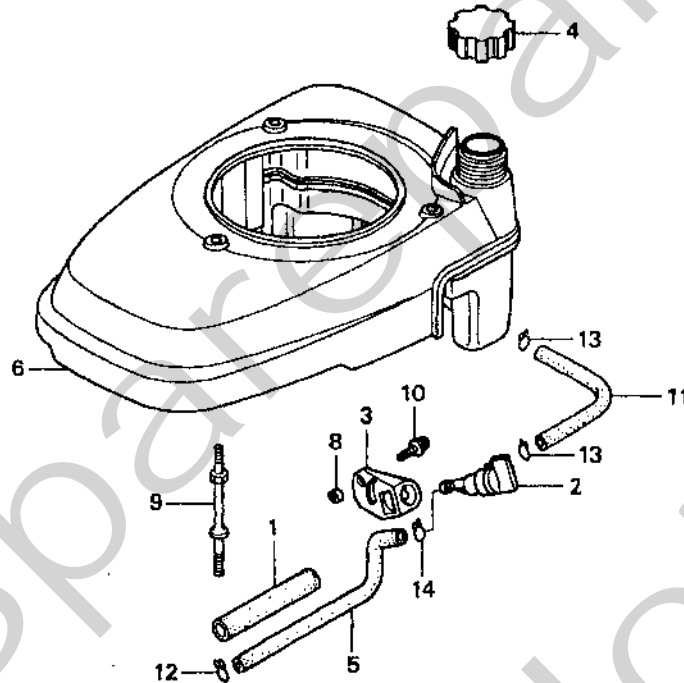
**STIGA**  
957  
SPARE PARTS

Utgåva Issue		Bildnr Picture No		HONDA GCV 135, 160 VEVAXEL KAMAXEL		HONDA GCV 135, 160 CRANKSHAFT CAMSHAFT		Sida Page
2003-43		957						392
Pos. Fig.	Antal/Quantity			Art nr Part No	Benämning	Description	Sats Kit	Anmärkning Notes
	GCV 135 A2G7	GCV 160 A2G7						
A02		1		13310ZM0600	Vevaxel .....	Crankshaft .....		
A02	1			13310ZM1600	Vevaxel .....	Crankshaft .....		
A05	1	1		90402ZL8000	Bricka .....	Washer .....		
B01	1	1		13101ZL8000	Kolv .....	Piston .....		
B02	1	1		13111ZE0000	Kolvbult .....	Piston pin .....		
B03		1		13200ZL8000	Vevstake .....	Connecting rod .....		
B03	1			13200ZL9000	Vevstake .....	Connecting rod .....		
B04	2	2		90001ZE1000	Bult .....	Bolt .....		
B05	2	2		90551ZE0000	Låsring .....	Clip .....		
X B06	1	1		13010ZL8014	Kolvringssats .....	Ring set .....		Teikoku
C01	1	1		14320ZL8000	Remskiva .....	Pulley .....		
C02	1	1		14324ZL8000	Axel .....	Shaft .....		
C03		1		14400ZL8003	Kamrem .....	Belt .....		
C03	1			14400ZL9003	Kamrem .....	Belt .....		
C04	1	1		14431ZL8000	Vipparm- insug .....	In. valve rocker arm .....		
C05	1	1		14441ZL8000	Vipparm- utblås .....	Ex. valve rocker arm .....		
C06	2	2		14461ZL8000	Axel .....	Shaft .....		
C07	1	1		14711ZL8000	Insugningsventil .....	Intake valve .....		
C08	1	1		14721ZL8000	Utblåsningsventil .....	Exhaust valve .....		
C09	2	2		14751ZL8000	Ventilfjäder .....	Valve spring .....		
C10	2	2		14771ZE1000	Ventilfjäderhållare .....	Valve spring retainer .....		
C11	2	2		90012333000	Justerskruv .....	Adjusting screw .....		
X C12	2	2		90206001000	Mutter .....	Nut .....		
X C13	1	1		91301Z0M003	O-ring .....	O-ring .....		

A

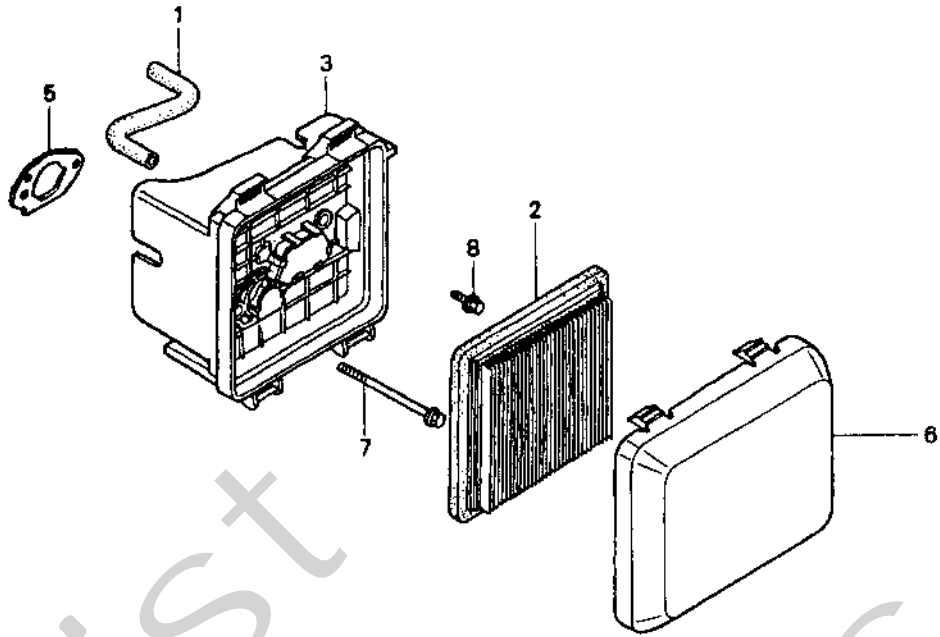


B

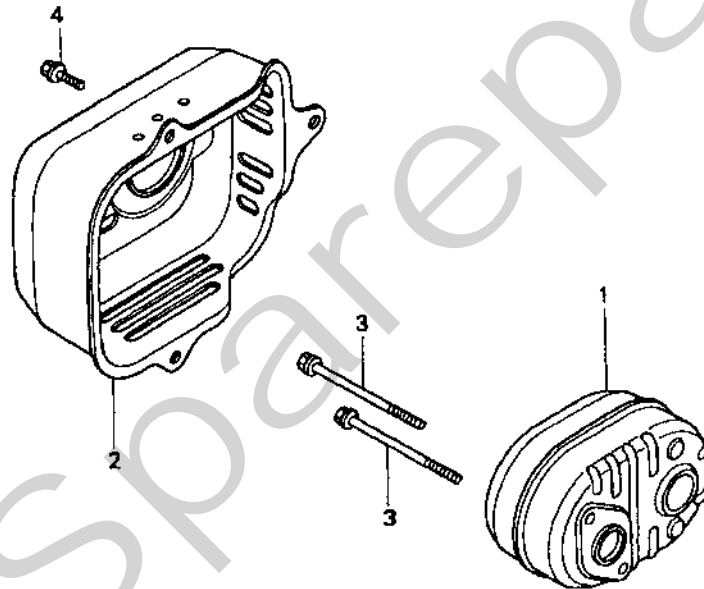


Utgåva Issue		Bildnr Picture No		HONDA GCV 135, 160 START BRÄNSLETANK		HONDA GCV 135, 160 RECOIL STARTER FUEL TANK		Sida Page
2003-43		958						394
Pos. Fig.	Antal/Quantity			Art nr Part No	Benämning	Description	Sats Kit	Anmärkning Notes
	GCV 135 A2G7	GCV 160 A2G7						
X	A01A	1	1	28400ZM0632	Start kpl.....	Starter assy.....		ZA *NH1* black
X	A01B	1	1	28400ZM0632	Start kpl.....	Starter assy.....		ZB *R8* red
	A08	1	1	28461ZL8003	• Handtag.....	• Grip.....		
	A09	1	1	28462ZL8631	• Startsnöre.....	• Starter rope.....		
	A11	3	3	90201ZM0000	Mutter.....	Nut.....		
	B01	1	1	16854ZH8000	Gummistöd.....	Rubber supporter.....		
	B02	1	1	16950ZG9M02	Bensinkran.....	Fuel cock.....		
	B03	1	1	16956ZM0000	Fäste.....	Bracket.....		
X	B04	1	1	17620ZL8013	Tanklock.....	Fuel tank cap.....		
	B05	1	1	17702ZM0000	Bränslerör.....	Fuel tube.....		
X	B06A		1	19610ZM0010	Bränsletank.....	Fuel tank.....		ZA *NH1* black
X	B06B		1	19610ZM0010	Bränsletank.....	Fuel tank.....		ZB *R8* red
X	B06C	1		19610ZM1010	Bränsletank.....	Fuel tank.....		ZA *NH1* black
X	B06D	1		19610ZM1010	Bränsletank.....	Fuel tank.....		ZB *R8* red
	B08	1	1	33609GK4620	Hylsa.....	Collar.....		
	B09	3		90041ZL9000	Pinnbult.....	Stud bolt.....		
	B09		3	90043ZL8000	Pinnbult.....	Stud bolt.....		
	B10	1	1	938910501008	Skruv.....	Screw.....		
	B11	1	1	950015513540	Bränslerör.....	Fuel tube.....		5.3 x 135
	B12	1	1	9500202080	Slangklämma.....	Tube clip.....		
	B13	2	2	9500202100	Slangklämma.....	Tube clip.....		
	B14	1	1	9500250000	Slangklämma.....	Tube clip.....		

A



B



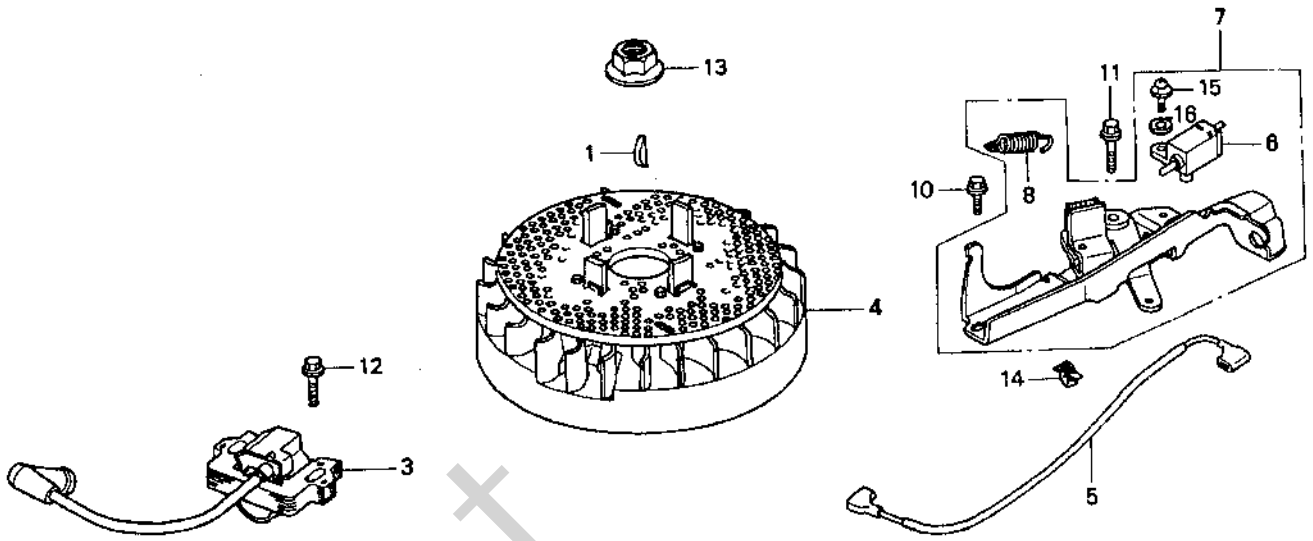


Utgåva Issue 2003-43		Bildnr Picture No 959		HONDA GCV 135, 160 LUFFFILTER LJUDDÄMPARE		HONDA GCV 135, 160 AIR CLEANER MUFFLER		Sida Page 396
Pos. Fig.	Antal/Quantity			Art nr Part No	Benämning	Description	Sats Kit	Anmärkning Notes
	GCV 135 A2G7	GCV 160 A2G7						
A01		1		15721ZM0000	Ventilationsrör .....	Breather tube .....		
A01	1			15721ZM1000	Ventilationsrör .....	Breather tube .....		
A02	1	1		17211ZL8003	Filterelement .....	Air cleaner element .....		
A03	1	1		17220ZM0000	Luftrenarhus .....	Air cleaner case .....		
A05	1	1		17228ZM0000	Packning .....	Gasket .....		
A06	1	1		17231ZM0000	Kåpa .....	Cover .....		
A07	2	2		90003ZM0000	Bult .....	Bolt .....		
A08	1	1		957010601408	Bult .....	Bolt .....		
B01	1	1		18310ZM0000	Ljuddämpare .....	Muffler .....		
B02	1	1		18321ZL8000	Skydd .....	Protector .....		
B03	2	2		90004ZL8000	Bult .....	Bolt .....		
B04	3	3		90013883000	Bult .....	Bolt .....		

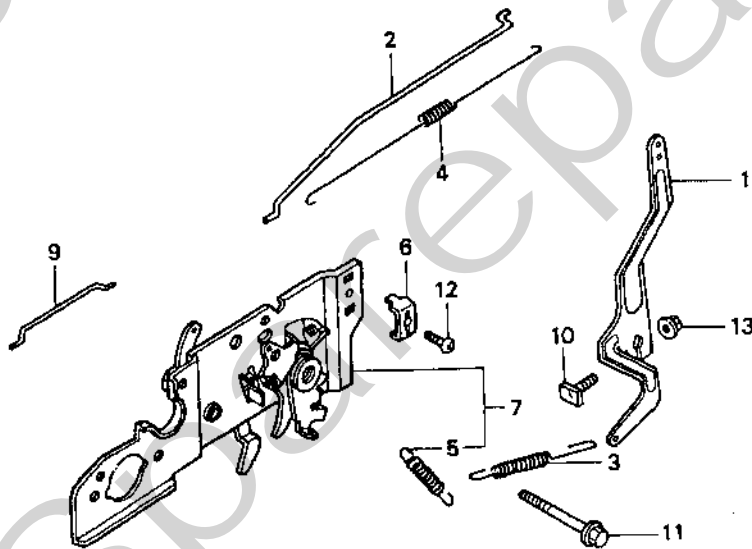
X

Joist Spareparts

A

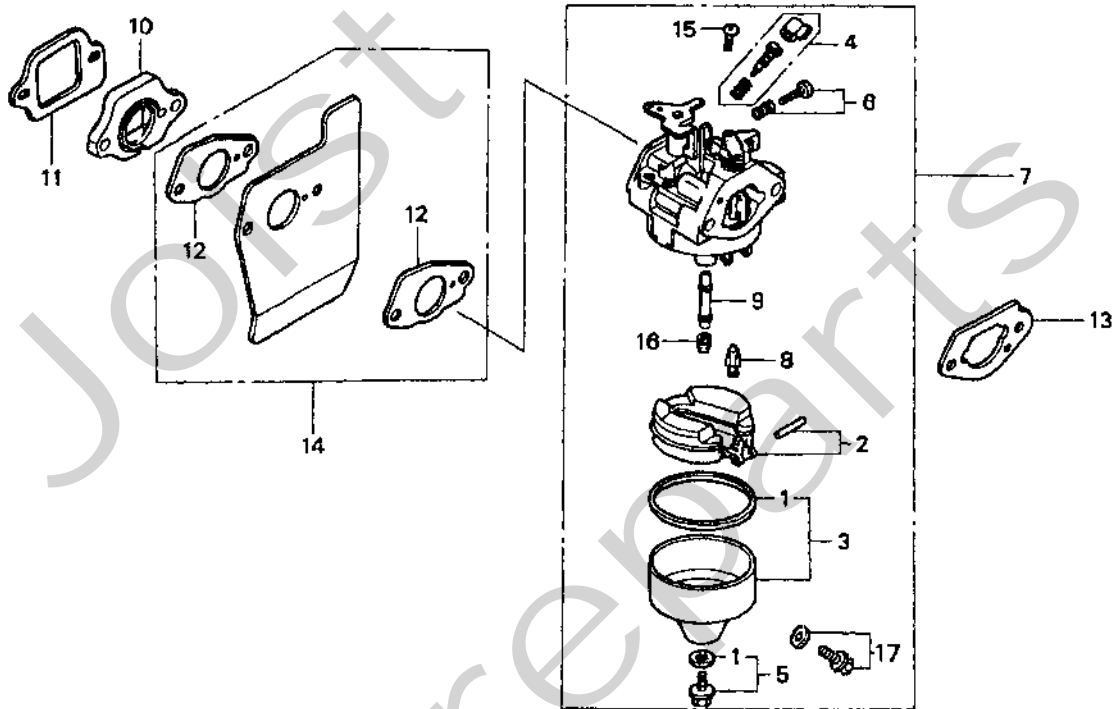


B



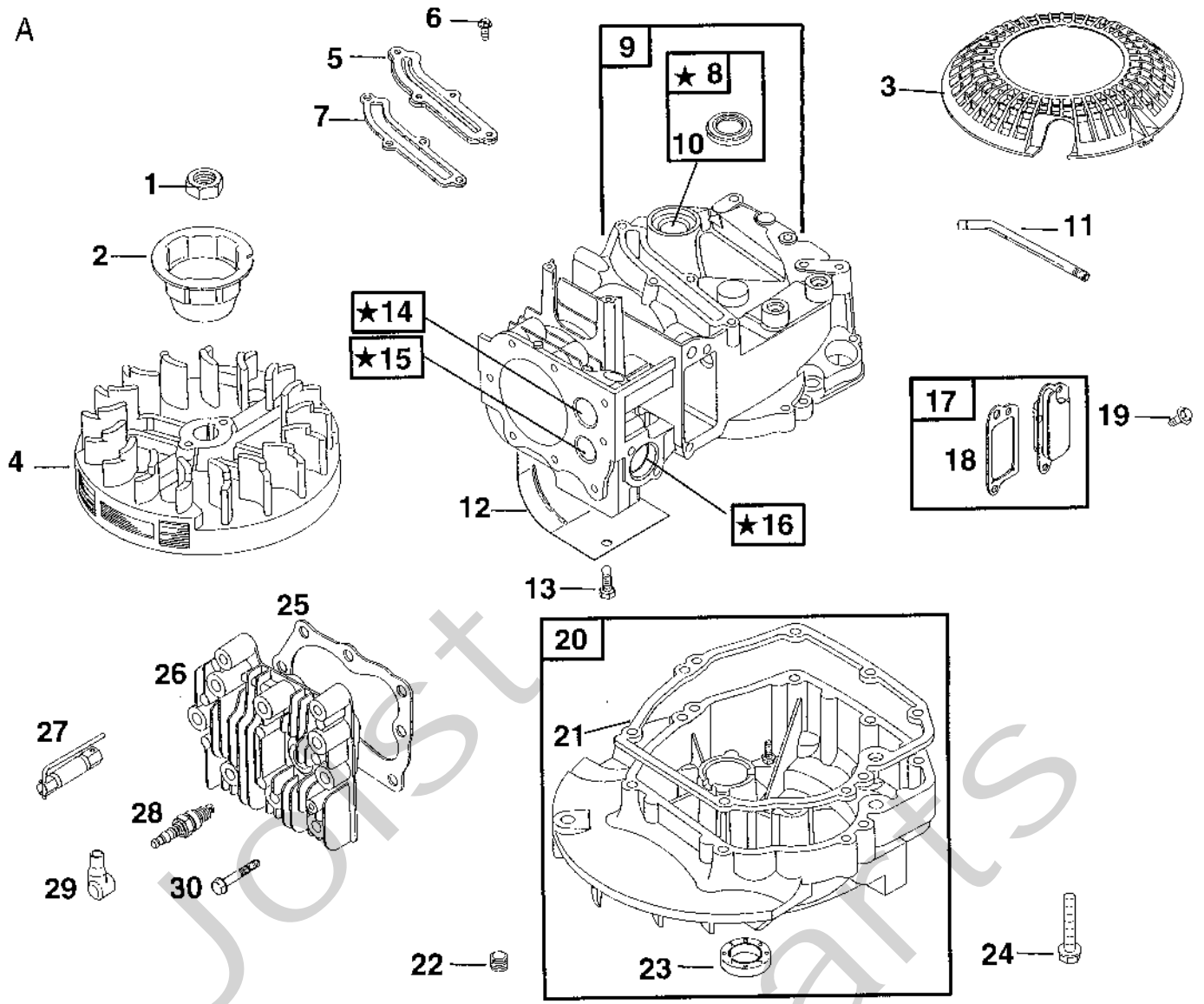
Utgåva Issue		Bildnr Picture No		HONDA GCV 135, 160 SVÄNGHJUL REGULATOR		HONDA GCV 135, 160 FLYWHEEL CONTROL		Sida Page
2003-43		960						398
Pos. Fig.	Antal/Quantity			Art nr Part No	Benämning	Description	Sats Kit	Anmärkning Notes
	GCV 135 A2G7	GCV 160 A2G7						
A01	1	1		13331357000	Key .....	Key .....		
A03	1	1		30500ZL8004	Tändspole .....	Ignition coil .....		
A04		1		31105ZM0000	Svängjul .....	Flywheel .....		
A04	1			31105ZM1000	Svängjul .....	Flywheel .....		
A05	1	1		32195ZM0000	Kabel .....	Cord .....		
A06	1	1		35120ZM0003	• Stoppkontakt .....	• Stop switch .....		
A07	1	1		75100ZM0000	Broms kpl .....	Brake assy .....		
A08	1	1		75113ZM0000	• Fjäder .....	• Spring .....		
A10	1	1		90014952000	Bult .....	Bolt .....		
A11	1	1		90018ZE1000	Bult .....	Bolt .....		
A12	1	1		90022888010	Bult .....	Bolt .....		
A13	1	1		90201878003	Mutter .....	Nut .....		
A14	1	1		90681959003	Kabelklämma .....	Cable clip .....		
A15	1	1		938920401200	• Skruv .....	• Screw .....		
A16	1	1		9410304000	• Bricka .....	• Washer .....		
X B01	1	1		16551ZM0010	Regulatorarm .....	Governor arm .....		
B02		1		16555ZM0000	Regulatorlänk .....	Governor rod .....		
B02	1			16555ZM1000	Regulatorlänk .....	Governor rod .....		
B03		1		16561ZM0000	Regulatorfjäder .....	Governor spring .....		
B03	1			16561ZM1000	Regulatorfjäder .....	Governor spring .....		
B04		1		16562ZM0000	Returfjäder .....	Return spring .....		
B04	1			16562ZM1000	Returfjäder .....	Return spring .....		
B05	1	1		16576ZE7300	• Fjäder .....	• Lever spring .....		
B06	1	1		16576891000	Kabelhållare .....	Cable holder .....		
X B07	1	1		16580ZM0020	Reglageplatta .....	Control base .....		
B09	1	1		16674ZM0000	Chokelänk .....	Choke rod .....		
B10	1	1		90015ZE5010	Bult .....	Bolt .....		
B11	1	1		90016ZM0000	Bult .....	Bolt .....		
B12	1	1		93500050160A	Skruv .....	Screw .....		
B13	1	1		9405006000	Mutter .....	Nut .....		

A

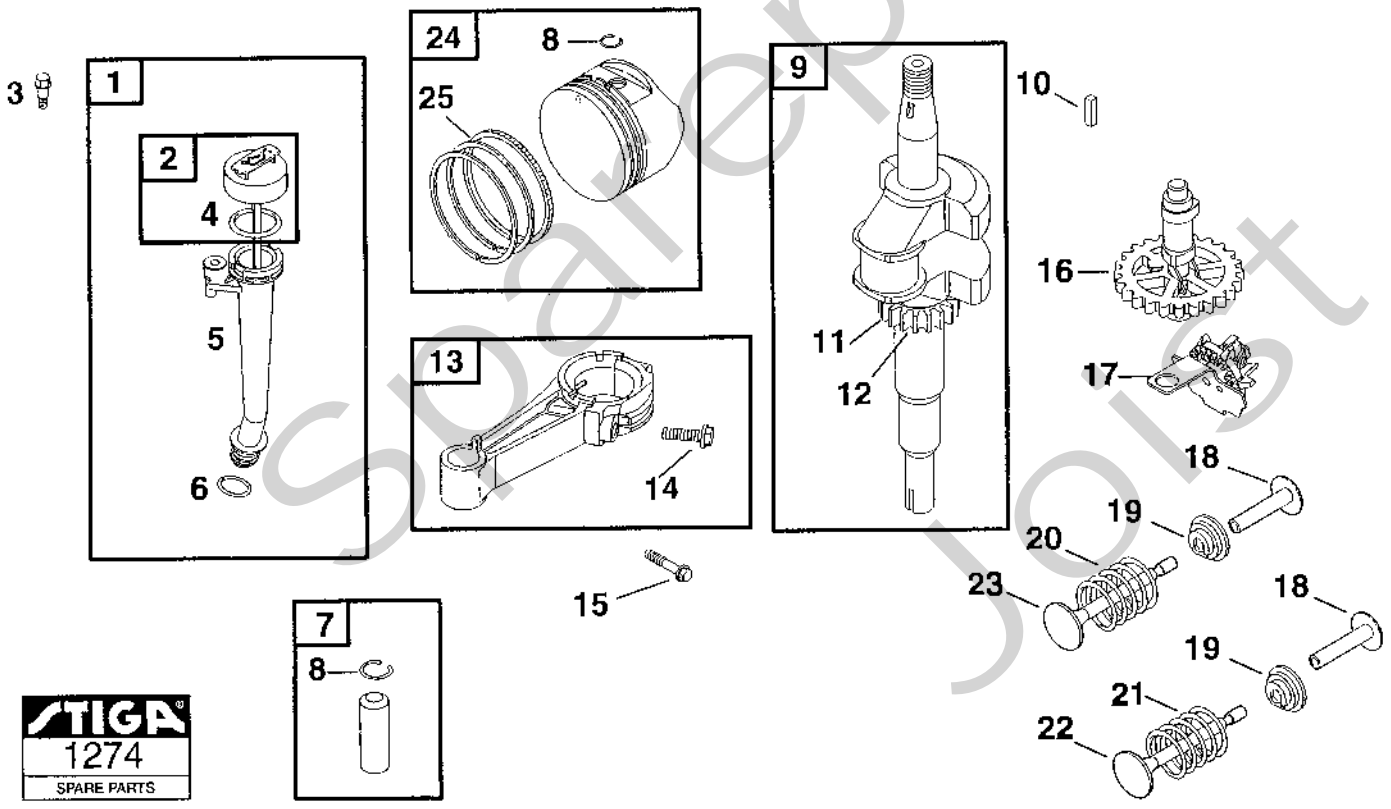


Utgåva Issue		Bildnr Picture No		HONDA GCV 135, 160 FÖRGASARE		HONDA GCV 135, 160 CARBURETTDR		Sida Page	
2003-43		961A						400	
Pos. Fig.	Antal/Quantity			Art nr Part No	Benämning	Description	Sats Kit	Anmärkning Notes	
	GCV 135 A2G7	GCV 160 A2G7							
	A01	1	1	16010883015	• • Packningssats .....	• • Gasket set .....			
	A02	1	1	16013ZL1003	• Flottörsats .....	• Float set .....			
X	A03	1	1	16015887782	• Flottörhus .....	• Float chamber .....			
X	A04	1	1	16016ZG0W00	• Justerskruv .....	• Set screw .....			
	A05	1	1	16028ZE0005	• Skruv .....	• Screw .....			
	A06	1	1	16029ZG0901	• Justerskruv .....	• Set screw .....			
X	A07		1	16100ZM0803	Förgasare kpl .....	Carburettor assy .....		BB62B D	
X	A07	1		16100ZM1822	Förgasare kpl .....	Carburettor assy .....		BB64F A	
	A08	1	1	16155ZM0003	• Ventil .....	• Valve .....			
	A09		1	16166ZM0003	• Munstycke .....	• Main nozzle .....			
	A09	1		16166ZM1003	• Munstycke .....	• Main nozzle .....			
	A10	1	1	16211ZL8000	Isolator .....	Insulator .....			
	A11	1	1	16212ZL8000	Packning .....	Gasket .....			
	A12	1	1	16221883800	• Packning .....	• Gasket .....			
	A13	1	1	16228ZL8000	Packning .....	Gasket .....			
	A14	1	1	19650ZM0000	Luftplåt .....	Air guide .....			
	A15	1	1	93500050061H	• Skruv .....	• Screw .....			
	A16	1		991011240580	• Munstycke .....	• Main jet .....		#58	
	A16	1	1	991011240600	• Munstycke .....	• Main jet .....		#60	
	A16	1	1	991011240620	• Munstycke .....	• Main jet .....		#62	
	A16	1	1	991011240650	• Munstycke .....	• Main jet .....		#65	
X	A17	1	1	16024ZE1811	• Dräneringsskruv .....	• Drain screw .....			

A



B

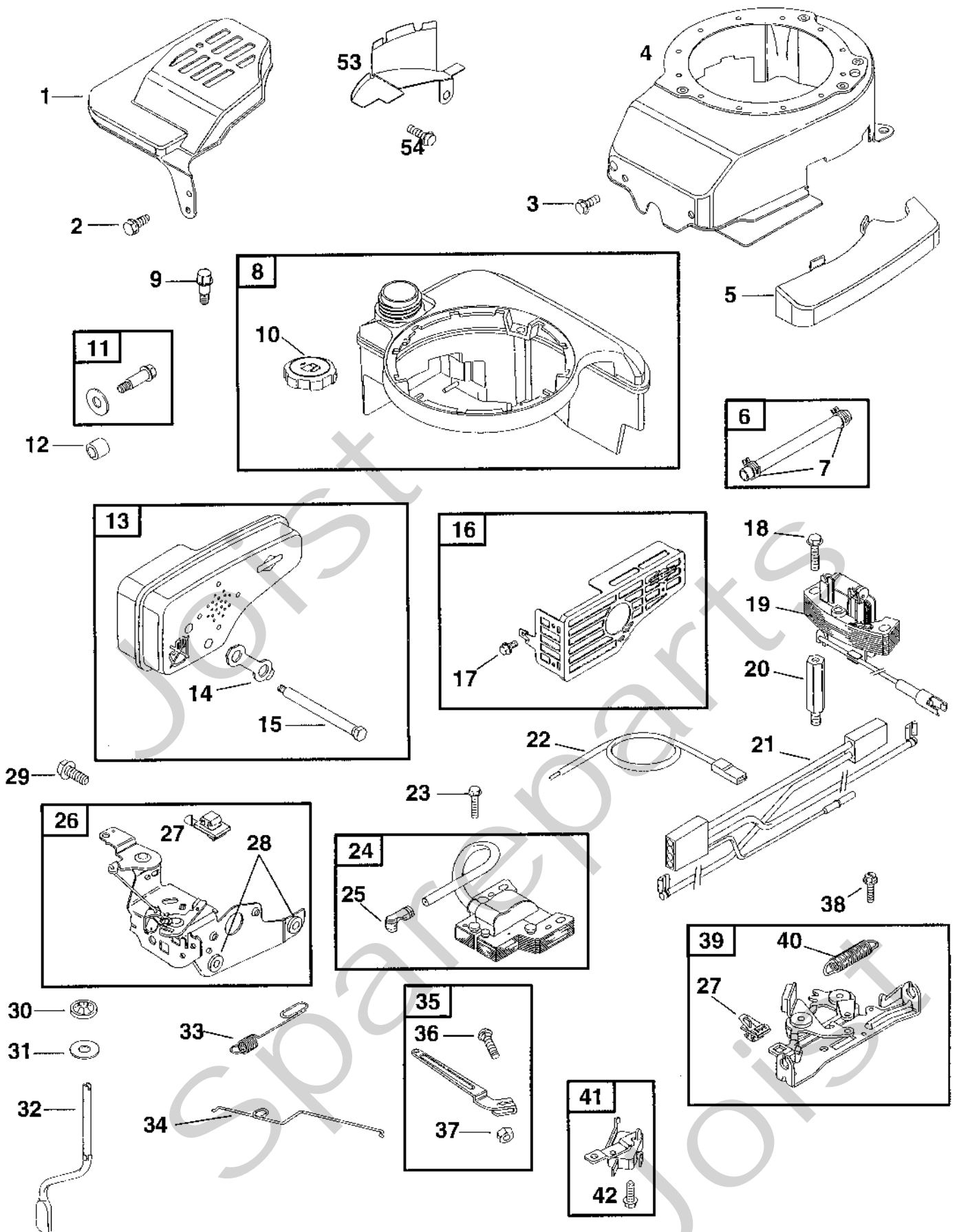


**STIGA**  
1274  
SPARE PARTS

Utgåva Issue		Bildnr Picture No		BRIGGS & STRATTON 12H802, 12H807 CYLINDER VEVAXEL		BRIGGS & STRATTON 12H802, 12H807 CYLINDER CRANKSHAFT		Sida Page	
2003-43		1274						352	
Pos. Fig.	Antal/Quantity			Art nr Part No	Benämning	Description	Sats Kit	Anmärkning Notes	
	12H 802- 1935	12H 807- 1936	12H 802- 1966						
A01	1	1	1	690662	Mutter.....	Flywheel nut.....			
A02	1	1	1	695161	Svänghjuls kopp.....	Flywheel cup.....			
A03	1	1	1	691919	Skydd.....	Rewind guard.....			
A04		1		691987	Svängjul.....	Flywheel.....			
A04	1		1	692315	Svängjul.....	Flywheel.....			
A05	1	1	1	692342	Lock.....	Cover.....			
A06	4	4	4	690345	Skruv.....	Screw.....			
A07	1	1	1	691879	Packning.....	Gasket.....			
A08	1	1	1	399269	• Bussning.....	• Bushing.....			
A09	1	1	1	697322	Cylinder kpl.....	Cylinder Assy.....			
A10	1	1	1	299819	Tätningring.....	Oil seal.....			
A11			1	499675	Ventilationsrör.....	Breather tube.....			
A11	1	1		691781	Ventilationsrör.....	Breather tube.....			
A12	1	1	1	690450	Cylinderskydd.....	Cylinder shield.....			
A13	1	1	1	690345	Skruv.....	Screw.....			
A14	1	1	1	691155	• Ventilåte- insug.....	• Valve seat- intake.....			
A15	1	1	1	690380	• Ventilåte- utblås.....	• Valve seat- exhaust.....			
A16	1	1	1	262001	• Ventilstyrning- utblås.....	• Valve guide- exhaust.....			
A16	1	1	1	63709	• Ventilstyrning- insug.....	• Guide- intake valve.....			
A17	1	1	1	695250	Vevhusventilation.....	Breather.....			
A18	1	1	1	696125	• Packning.....	• Gasket.....			
A19	2	2	2	691125	Skruv.....	Screw.....			
A20	1	1	1	493279	Vevhus.....	Engine sump.....			
A21	1	1	1	692232	• Packning.....	• Gasket.....			
A22	1	1	1	691680	Oljeavtappningsplugg.....	Oil drain plug.....			
A23	1	1	1	399781	• Tätningring.....	• Oil seal.....			
A24	7	7	7	691092	Skruv.....	Screw.....			
A25	1	1	1	692249	Packning.....	Gasket.....			
A26	1	1	1	691160	Topplöck.....	Cylinder head.....			
A27	1	1	1	1111-9029-01	Tändstiftsnyckel.....	Spark plug wrench.....			
A28	1	1	1	9400-0225-00	Tändstift.....	Spark plug.....		Champion J19LM	
A29	1	1	1	66538	Tändstiftsskydd.....	Spark plug elbow.....			
A30	8	8	8	690912	Skruv.....	Screw.....			
B01	1	1	1	692017	Oljesticka kpl.....	Oil dipstick Assy.....			
B02	1	1	1	495264	• Oljesticka.....	• Oil dipstick.....			
B03	1	1	1	690940	Skruv.....	Screw.....			
B04	1	1	1	691031	• O-ring.....	• O-ring.....			
B05	1	1	1	495265	• Oljepåfyllningsrör.....	• Oil filler tube.....			
B06	1	1	1	692296	• Tätningring.....	• Tube seal.....			
B07	1	1	1	499423	Kolvbult.....	Piston pin.....			
B08	2	2	2	691866	• Låsring.....	• Lock ring.....			
B09	1	1	1	691452	Vevaxel.....	Crankshaft.....			
B10	1	1	1	222698	Kil.....	Key.....			
B11	1	1	1	691830	• Drev.....	• Timing gear.....			
B12	1	1	1	690979	• Kil.....	• Timing key.....			
B13	1	1	1	499424	Vevstake.....	Connecting rod.....			
B14	1	1	1	691664	• Skruv.....	• Screw.....			
B15	1	1	1	695759	Skruv.....	Screw.....			
B16	1	1	1	691449	Kamaxel.....	Camshaft.....			
B17	1	1	1	691997	Oljeslungare.....	Oil slinger.....			
B18	2	2	2	690548	Ventilyftare.....	Valve tappet.....			
B19	2	2	2	692194	Ventilhållare.....	Valve retainer.....			
B20	1	1	1	691270	Ventilfjäder.....	Valve spring.....			
B21	1	1	1	691270	Ventilfjäder.....	Valve spring.....			
B22	1	1	1	262651	Utblåsningsventil.....	Exhaust valve.....			
B23	1	1	1	262652	Insugningsventil.....	Intake valve.....			
B24	1	1	1	499429	Kolv kpl.....	Piston Assy.....		Standard	
B24	1	1	1	499430	Kolv kpl.....	Piston Assy.....		.010" oversize	
B24	1	1	1	499431	Kolv kpl.....	Piston Assy.....		.020" oversize	
B24	1	1	1	499432	Kolv kpl.....	Piston Assy.....		.030" oversize	
B25	1	1	1	499425	• Kolvringsatts.....	• Ring set.....		Standard	
B25	1	1	1	499426	• Kolvringsatts.....	• Ring set.....		.010" oversize	
B25	1	1	1	499427	• Kolvringsatts.....	• Ring set.....		.020" oversize	

X

A



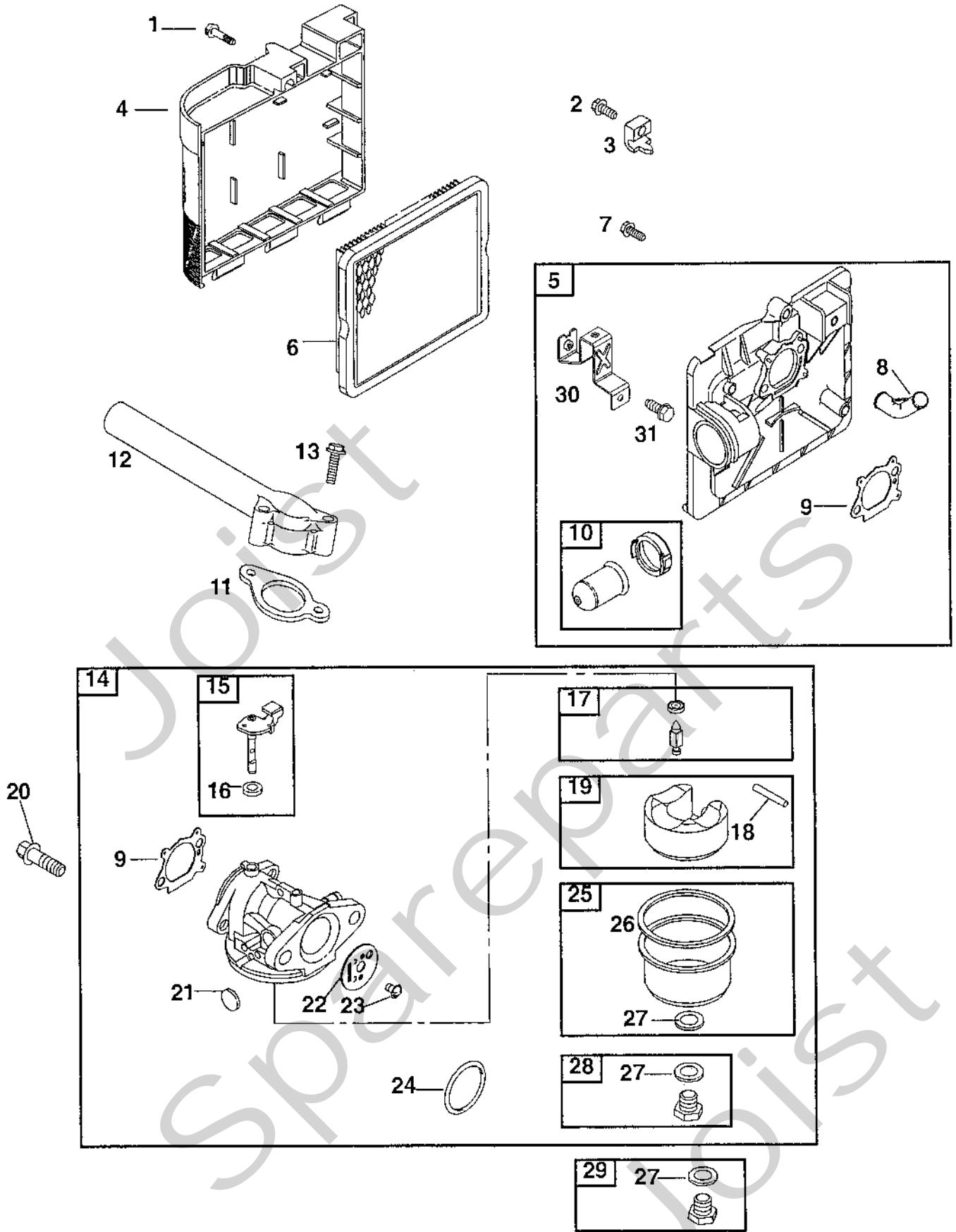


Utgåva Issue		Bildnr Picture No		BRIGGS & STRATTON 12H802, 12H807 BRÄNSLETANK REGULATOR		BRIGGS & STRATTON 12H802, 12H807 FUEL TANK GOVERNOR		Sida Page	
2003-43		1275						354	
Pos. Fig.	Antal/Quantity			Art nr Part No	Benämning	Description	Sats Kit	Anmärkning Notes	
	12H 802- 1935	12H 807- 1936	12H 802- 1966						
A01	1	1	1	691757	Lock.....	Control cover .....			
A02	1	1	1	690664	Skruv .....	Screw .....			
A03	4	4	4	691108	Skruv .....	Screw .....			
A04	1	1	1	493293	Fläkthus .....	Blower housing .....			
A05	1	1	1	690595	Lock.....	Brake cover .....			
A06	1		1	691050	Bränsleslang .....	Fuel line.....			
A06		1		691371	Bränsleslang .....	Fuel line.....			
A07	2	2	2	95162	Slangklämma.....	Hose clamp .....			
A08	1	1	1	495224	Bränsletank.....	Fuel tank .....			
A09	2	2	2	690940	Skruv .....	Screw .....			
A10	1	1	1	397974	• Tanklock .....	• Fuel cap.....			
A11	1	1	1	692311	Skruv/bricka .....	Screw/washer .....			
A12	1	1	1	692294	Distans .....	Spacer .....			
A13	1	1	1	692038	Ljuddämpare .....	Muffler .....			
A14	1	1	1	691740	• Låsbleck .....	• Screw lock .....			
A15	2	2	2	691340	• Skruv .....	• Screw .....			
A16	1	1	1	499034	Skydd .....	Guard .....			
A17	2	2	2	690664	• Skruv .....	• Screw .....			
A18		2		691648	Skruv .....	Screw .....			
A19		1		691991	Generator.....	Alternator .....			
A20		2		691094	Pinnbult .....	Stud .....			
A21		1		696547	Kablage.....	Wiring harness .....			
A22	1	1	1	692390	Stoppkabel.....	Stop wire .....			
A23	2	2	2	691061	Skruv .....	Screw .....			
A24	1	1	1	802574	Tändsystem .....	Magneto armature .....			
A25	1	1	1	493880	• Anslutningshylsa .....	• Terminal .....			
A26	1	1	1	692031	Reglageplåt.....	Control bracket .....			
A27	2	2	2	692310	• Stoppkontakt .....	• Stop switch .....			
A28	1	1	1	493823	• Distans .....	• Spacer .....			
A29	2	2	2	690877	Skruv .....	Screw .....			
A30	1	1	1	690340	Hållare .....	Retainer .....			
A31	1	1	1	690272	Bricka .....	Washer .....			
A32	1	1	1	691308	Regulatoraxel.....	Governor crank .....			
A32			1	698801	Regulatoraxel.....	Governor crank .....			
A33	1	1	1	691292	Regulatorfjäder.....	Governor spring .....			
A34	1	1	1	691829	Regulatorlänk .....	Governor link .....			
A35	1	1	1	690783	Regulatorarm.....	Govern. control lever .....			
A36	1	1	1	92613	• Skruv .....	• Screw .....			
A37	1	1	1	231082	• Mutter.....	• Nut .....			
A37			1	691251	• Mutter.....	• Nut .....			
A38	2	2	2	691648	Skruv .....	Screw .....			
A39	1	1	1	691994	Broms.....	Brake .....			
A40	1	1	1	691831	• Bromsfjäder.....	• Brake spring .....			
A41		1		499421	Brytare .....	Switch .....			
A42		1		691627	• Skruv .....	• Screw .....			
A53	1	1	1	694086	Svånghjulsskydd .....	Flywheel guard .....			
A54	1	1	1	691108	Skruv .....	Screw .....			

2 st/includes 2

X

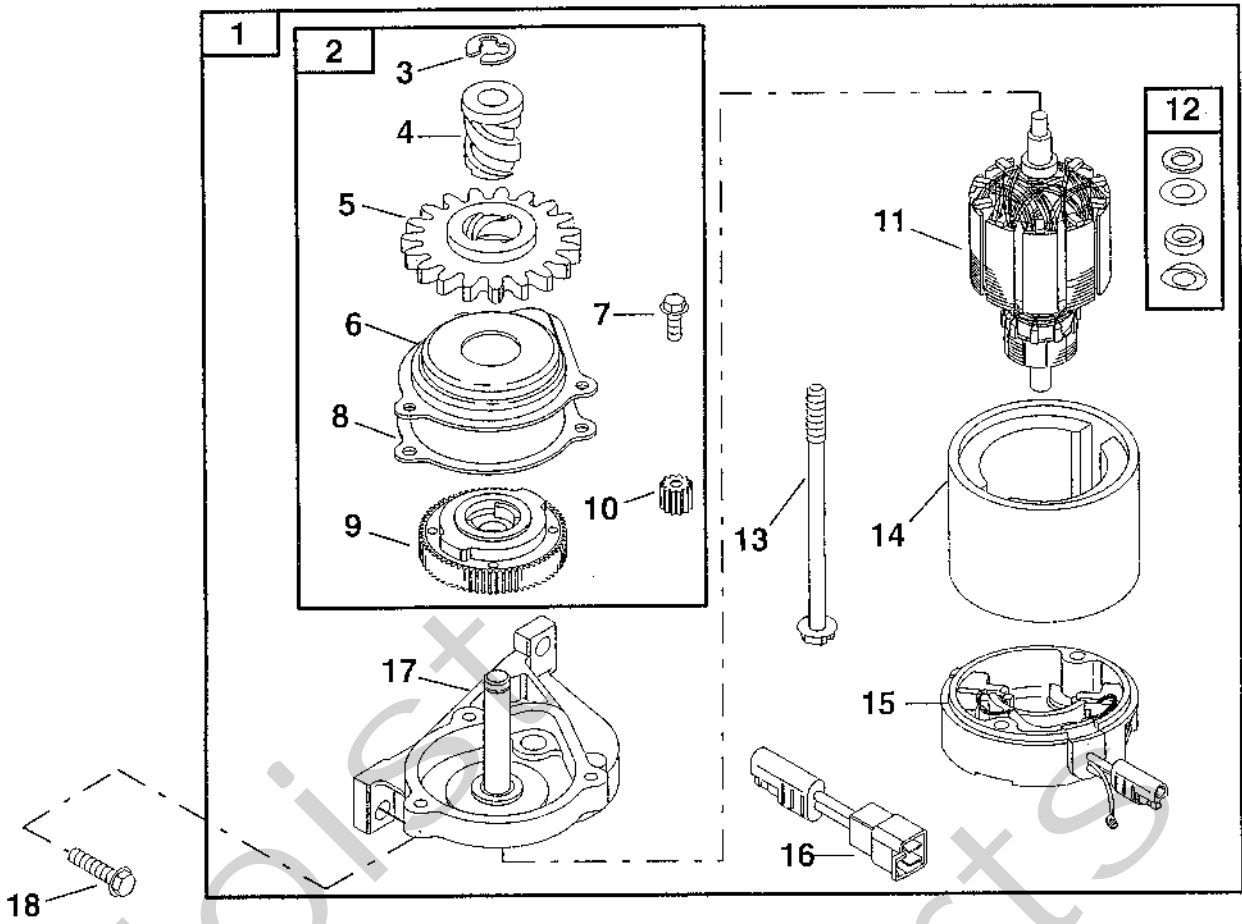
A



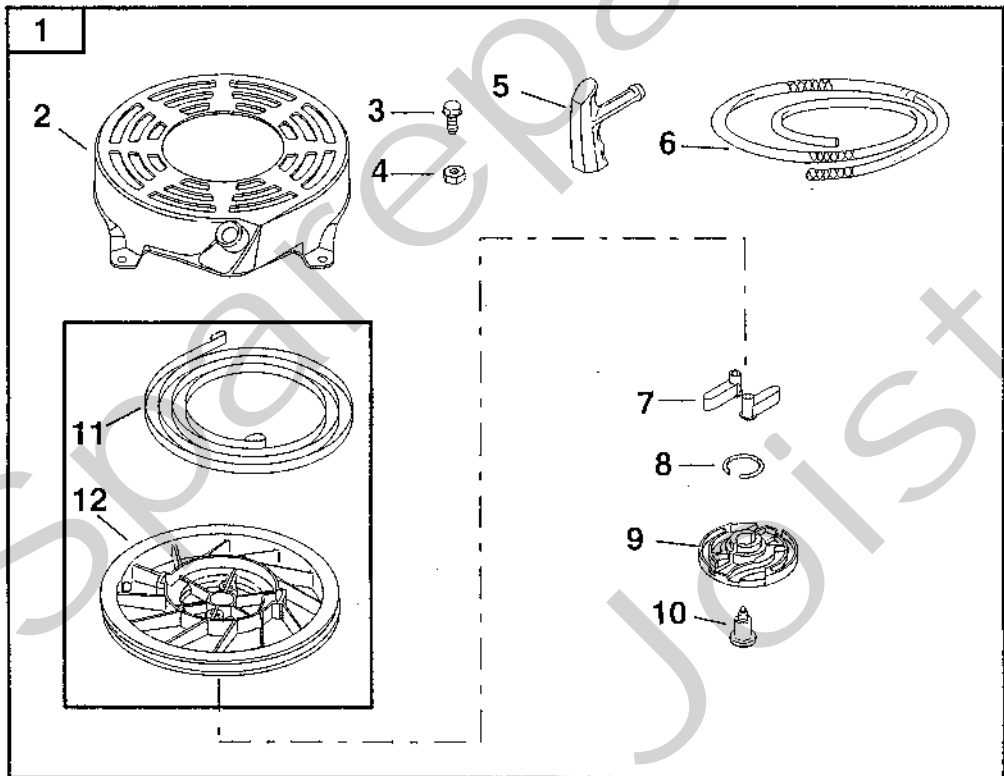
Utgåva Issue		Bildnr Picture No		BRIGGS & STRATTON 12H802, 12H807 LUFTFILTER FÖRGASARE		BRIGGS & STRATTON 12H802, 12H807 AIR CLEANER CARBURETTOR		Sida Page
2003- 43		1276A						356
Pos. Fig.	Antal/Quantity			Art nr Part No	Benämning	Description	Sats Kit	Anmärkning Notes
	12H 802- 1935	12H 807- 1936	12H 802- 1966					
A01	1	1	1	690670	Skruv .....	Screw .....		
A02	1	1	1	691044	Skruv .....	Screw .....		
A03	1	1	1	690798	Wireklämma .....	Casing clamp .....		
A04	1	1	1	692298	Luftrenarlock .....	Air cleaner cover .....		
A05	1	1	1	496116	Luftrenarfäste .....	Air cleaner base .....		
A06	1	1	1	491588	Pappersfilter .....	Air filter .....		
A07	2	2	2	692523	Skruv .....	Screw .....		
A08	1	1	1	691923	• Hylsa .....	• Grommet .....		
A09	1	1	1	272653	• Packning .....	• Gasket .....		
A10	1	1	1	694395	• Primer .....	• Primer .....		
A11	1	1	1	272199	Packning .....	Gasket .....		
A12	1	1	1	497465	Insugningsrör .....	Intake pipe .....		
A13	2	2	2	691650	Skruv .....	Screw .....		
A14	1	1	1	498170	Förgasare kpl .....	Carburettor assy .....		
A15	1	1	1	696565	• Spjällaxel .....	• Throttle shaft .....		
A16	1	1	1	691321	• • Dammtätning .....	• • Dust seal .....		
A17	1	1	1	398188	• Bränslenål .....	• Inlet valve .....		
A18	1	1	1	691242	• • Flottöraxel .....	• • Float hinge pin .....		
A19	1	1	1	398187	• Flottör .....	• Float .....		
A20	2	2	2	692524	Skruv .....	Screw .....		
A21	1	1	1	694468	• Expansionsbricka .....	• Welch plug .....		
A22	1	1	1	696564	• Gasspjäll .....	• Throttle valve .....		
A23	1	1	1	691636	• Skruv .....	• Screw .....		
A24	1	1	1	270344	• Tätning .....	• Seal .....		
A25	1	1	1	493640	• Flottörhus .....	• Bowl .....		
A26	1	1	1	693981	• • Packning .....	• • Gasket .....		
A27	1	1	1	271716	• Tätningsbricka .....	• Sealing washer .....		
A28	1	1	1	498978	• Huvudmunstycke .....	• Main jet .....		
A29	1	1	1	497466	Huvudmunstycke .....	Main jet .....		
A30	1	1	1	691753	• Fäste .....	• Bracket .....		
A31	1	1	1	691669	• Skruv .....	• Screw .....		

Standard  
High altitude

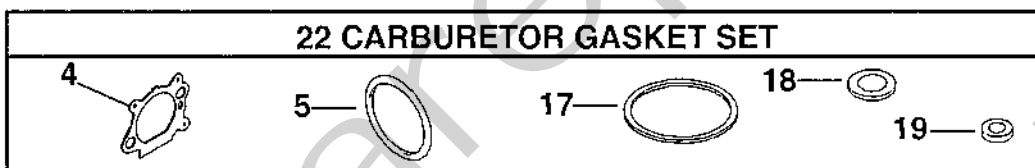
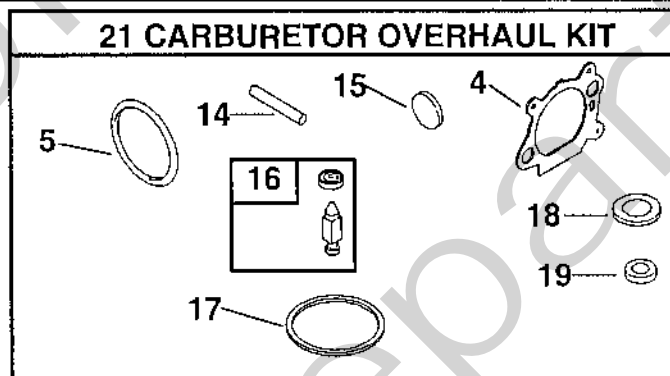
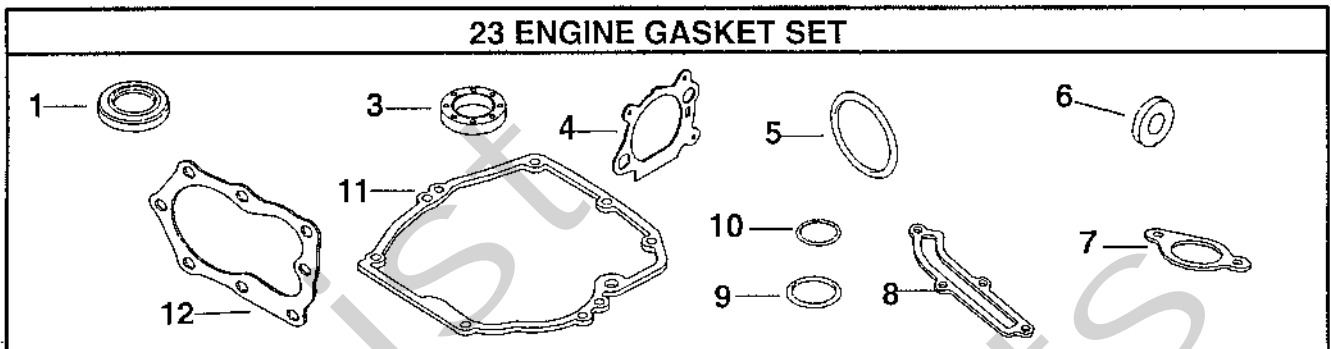
A



B



Utgåva Issue 2003-43		Bildnr Picture No 1277		BRIGGS & STRATTON 12H802, 12H807 STARTMOTOR SNÖRSTART		BRIGGS & STRATTON 12H802, 12H807 STARTER MOTOR REWIND STARTER		Sida Page 358	
Pos. Fig.	Antal/Quantity			Art nr Part No	Benämning	Description	Sats Kit	Anmärkning Notes	
	12H 802- 1935	12H 807- 1936	12H 802- 1966						
A01		1		695550	Startmotor kpl .....	Starter motor assy .....			
A02		1		494147	• Drev kpl .....	• Drive kit .....			
A03		1		93941	•• Låsring .....	•• Retainer .....			
A04		1		691325	•• Snäckdrev .....	•• Starter spline .....			
A05		1		691918	•• Drev .....	•• Pinion gear .....			
A06		1		692341	•• Lock .....	•• Cover .....			
A07		3		690345	•• Skruv .....	•• Screw .....			
A08		1		692352	•• Packning .....	•• Gasket .....			
A09		1		692358	•• Koppling .....	•• Drive clutch .....			
A10		1		691269	•• Drev .....	•• Pinion gear .....			
A11		1		690786	• Rotor .....	• Starter armature .....			
A12		1		492919	• Brickor .....	• Washer set .....			
A13		2		692327	• Bult .....	• Bolt .....			
A14		1		695266	• Starthus .....	• Starter housing .....			
A15		1		695267	• Bottenkåpa .....	• End cap .....			
A16		1		695268	• Kabeladapter .....	• Wire adapter .....			
A17		1		690782	• Lock .....	• Drive cap .....			
A18		2		691127	Skruv .....	Screw .....			
B01	1	1	1	497680	Start kpl .....	Starter assy .....			
B02	1	1	1	691421	• Starthus .....	• Starter housing .....			
B03	4	4	4	690837	• Skruv .....	• Screw .....			
B04	4	4	4	690800	• Mutter .....	• Nut .....			
B05	1	1	1	281434	• Starthandtag .....	• Handle .....			
B06	1	1	1	692259	• Startsnöre .....	• Starter rope .....			
B07	2	2	2	281505	• Startklo .....	• Starter pawl .....			
B08	1	1	1	691855	• Friktionsfjäder .....	• Friction spring .....			
B09	1	1	1	692299	• Spärrplatta .....	• Pawl friction plate .....			
B10	1	1	1	691696	• Skruv .....	• Screw .....			
B11	1	1	1	498144	• Linhjul m.fjäder .....	• Pulley/spring .....			
B12	1	1	1	498144	• Linhjul m.fjäder .....	• Pulley/spring .....			



Utgåva Issue 2003-43		Bildnr Picture No 1278A		BRIGGS & STRATTON 12H802, 12H807 PACKNINGSSATS		BRIGGS & STRATTON 12H802, 12HB07 GASKET SET		Sida Page 360	
Pos. Fig.	Antal/Quantity			Art nr Part No	Benämning	Description	Sats Kit	Anmärkning Notes	
	12H 802- 1935	12H 807- 1936	12H 802- 1966						
A01	1	1	1	299819	• Tätningsring .....	• Oil seal .....			
A03	1	1	1	399781	• Tätningsring .....	• Oil seal .....			
A04	1	1	1	272653	• Packning .....	• Gasket .....			
A05	1	1	1	270344	• Tätning .....	• Seal .....			
A06	1	1	1	493823	• Distans .....	• Spacer .....			
A07	1	1	1	272199	• Packning .....	• Gasket .....			
A08	1	1	1	691879	• Packning .....	• Gasket .....			
A09	1	1	1	691031	• O- ring .....	• O- ring .....			
A10	1	1	1	692296	• Tätningsring .....	• Tube seal .....			
A11	1	1	1	692232	• Packning .....	• Gasket .....			
A12	1	1	1	692249	• Packning .....	• Gasket .....			
A14	1	1	1	691242	• Flottöraxel .....	• Float hinge pin .....			
A15	1	1	1	694468	• Expansionsbricka .....	• Welch plug .....			
A16	1	1	1	398188	• Bränslenål .....	• Inlet valve .....			
A17	1	1	1	693981	• Packning .....	• Gasket .....			
A18	1	1	1	271716	• Tätningsbricka .....	• Sealing washer .....			
A19	1	1	1	691321	• Dammtätning .....	• Dust seal .....			
A21	1	1	1	498260	Rep.sats förgasare .....	Carb. overhaul kit .....			
A22	1	1	1	498261	Packn.sats- förg .....	Gasket set- carb. .....			
A23	1	1	1	497316	Packn.sats- motor .....	Gasket set- engine .....			