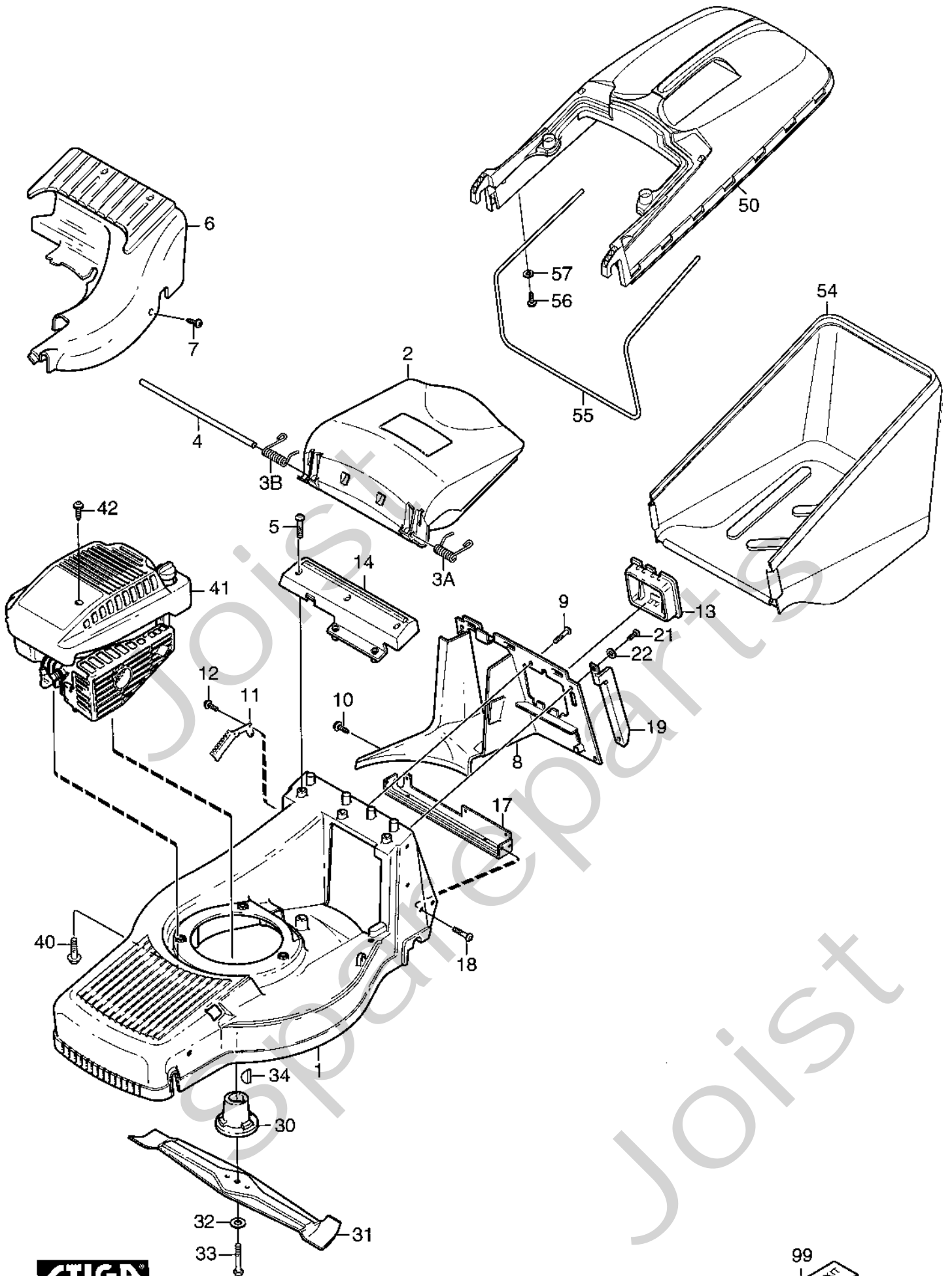


# Genuine Spare Parts

---



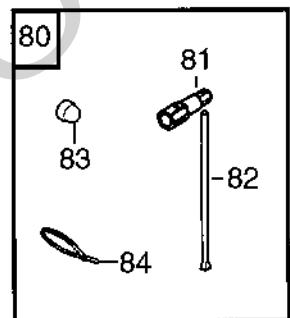
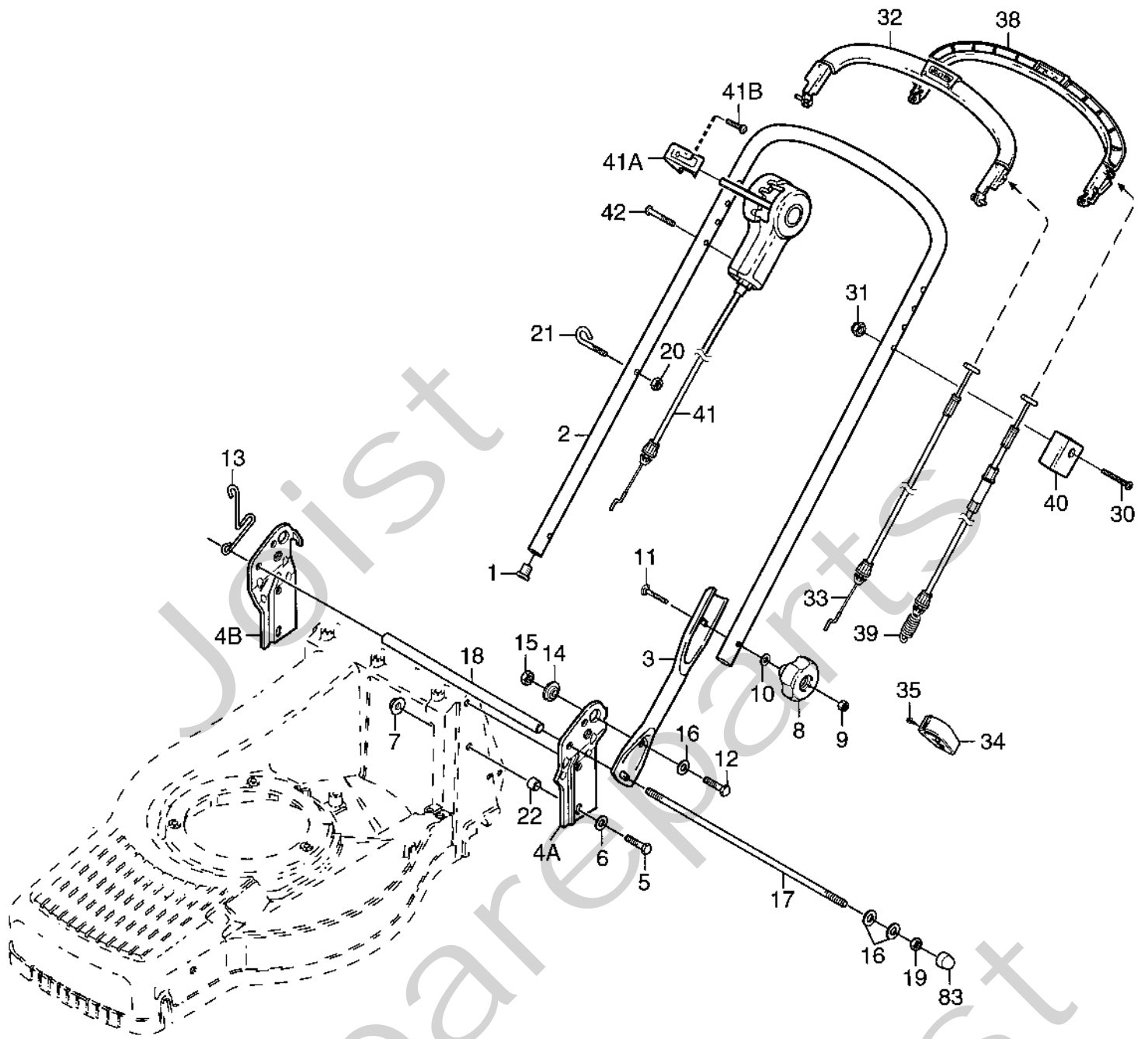
Joist  
Spareparts  
Joist



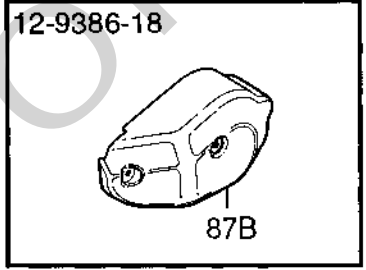
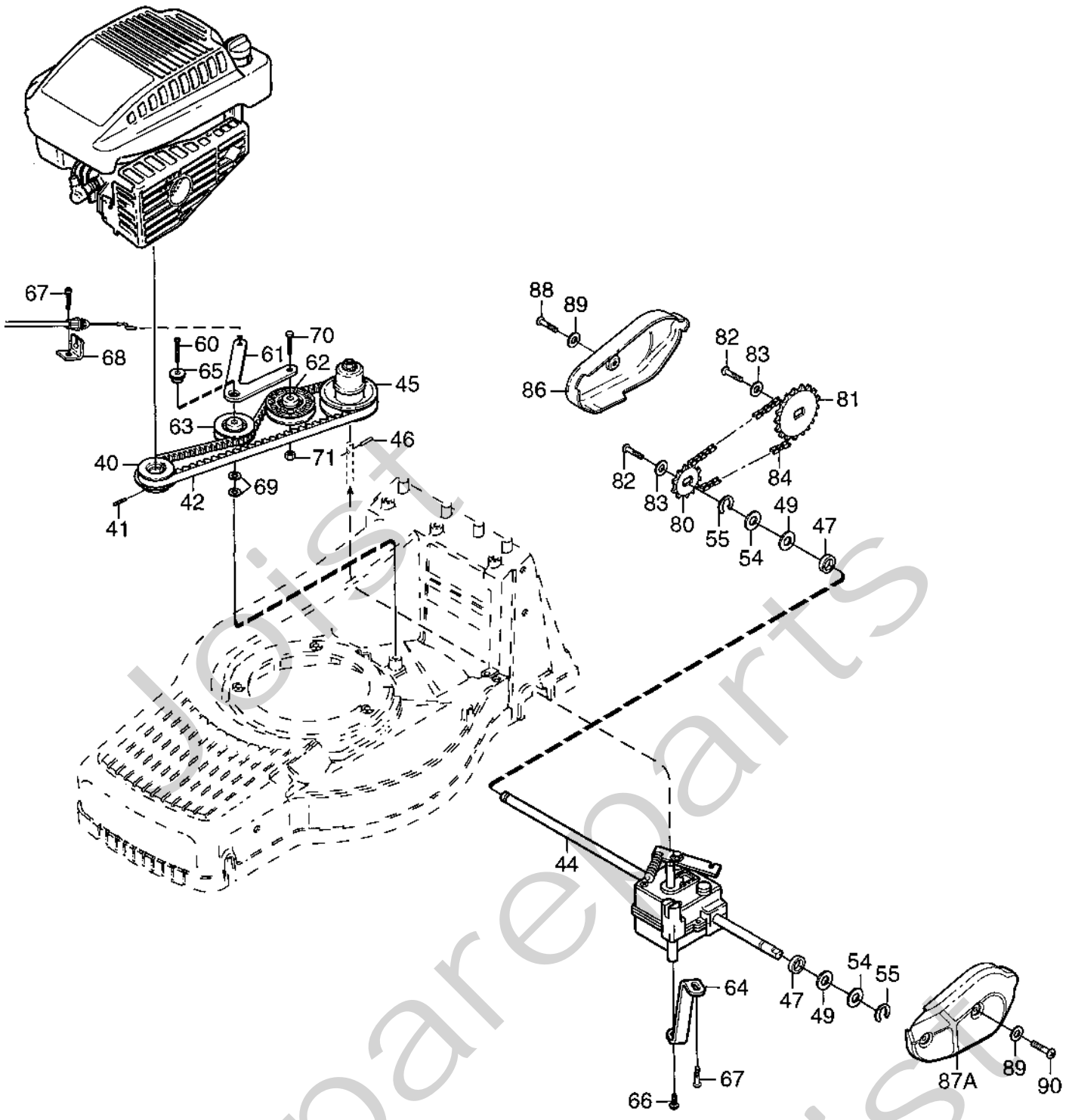
**STIGA**  
1571  
SPARE PARTS

99  
DEKALKIT

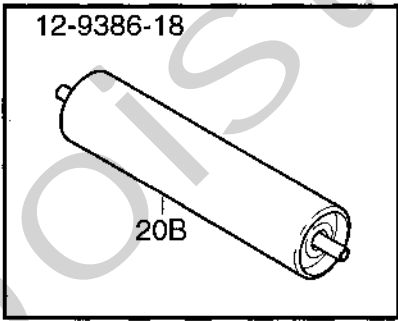
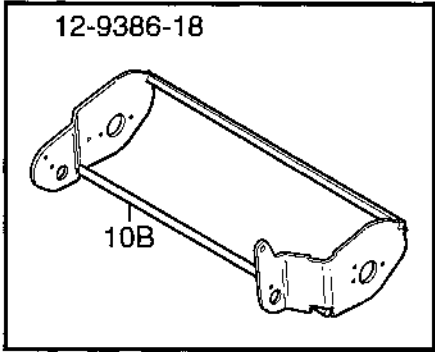
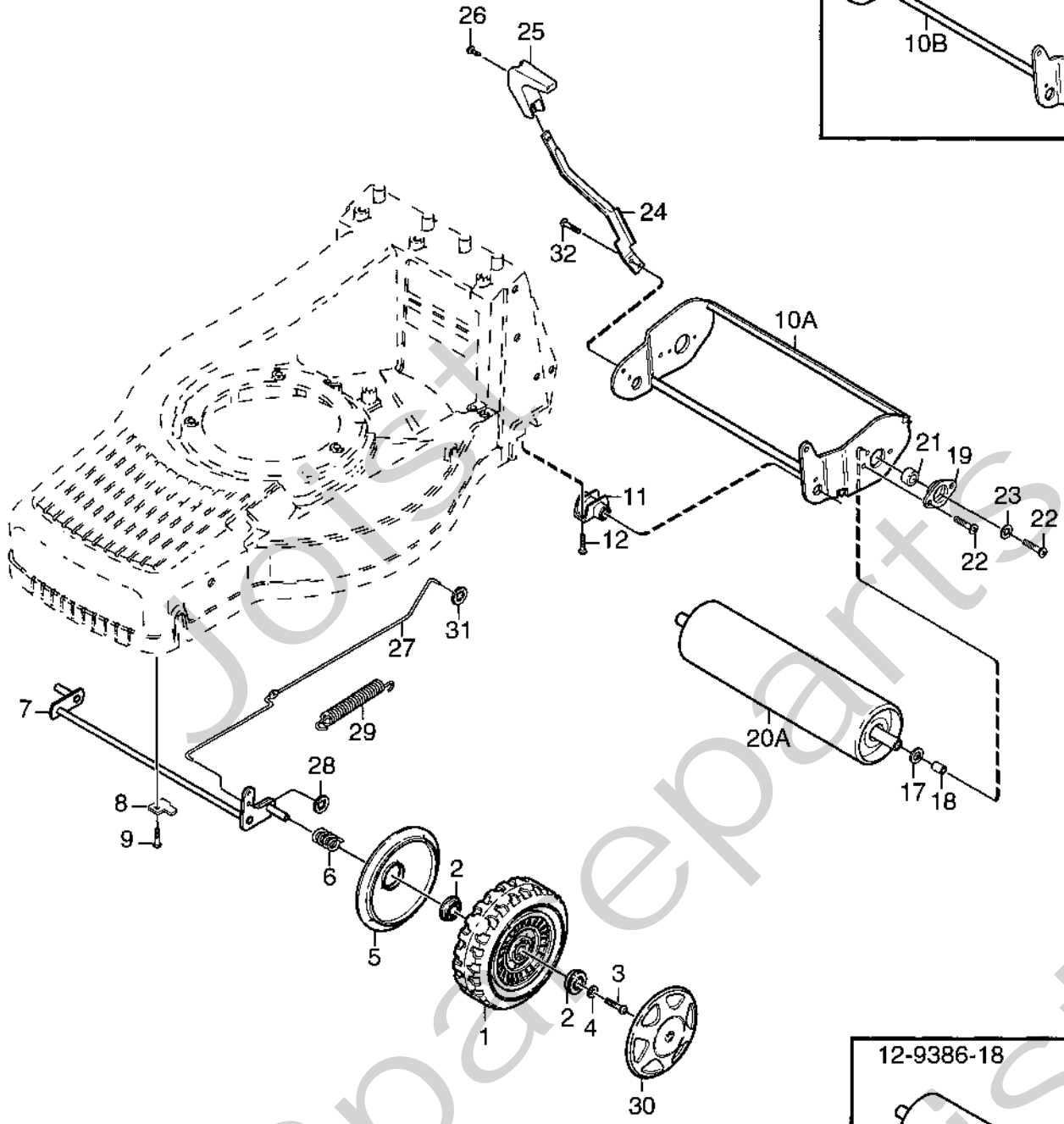
Utgåva Issue		Bildnr Picture No		TURBO 48S- 55S ROLLER CHASSI UPPSAMLARE		TURBO 48S- 55S ROLLER CHASSIS GRASS COLLECTOR		Sida Page	
2003- 43		1571						236	
Pos. Fig.	Antal/Quantity			Art nr Part No	Benämning	Description	Sats Kit	Anmärkning Notes	
	5386	9386							
	1	1		1111-3410-01	Chassi- gul.....	Chassis- yellow .....			
	1		1	1111-3411-01	Chassi- gul.....	Chassis- yellow .....			
X	2	1	1	1111-3529-01	Lucka- gul.....	Flap- yellow .....		Pos. 3 - 4 incl.	
X	3A	1	1	1111-3531-01	• Fjäder- vä.....	• Spring- LH.....			
X	3B	1	1	1111-3530-01	• Fjäder- hö.....	• Spring- RH .....			
X	4	1	1	1111-3532-01	• Axel.....	• Pivot rod .....			
	5	3	3	9947-0616-16	Skruv .....	Screw .....			
	6	1		1111-2794-01	Täckåpa- gul.....	Cover- yellow .....			
	6		1	1111-3019-01	Täckåpa- gul.....	Cover- yellow .....			
	7	3	3	9838-9522-12	Skruv .....	Screw .....			
	8	1	1	1111-3412-01	Bakstam.....	Rear attachment.....			
	9	1	1	9947-0616-16	Skruv .....	Screw .....			
X	10	1	1	9838-9522-12	Skruv .....	Screw .....			
	11	1	1	1111-3548-02	Höjdsegment .....	Height sector.....			
	12	2	2	9838-9522-12	Skruv .....	Screw .....			
	13	1	1	1111-2927-01	Batteriållare .....	Battery holder .....			
X	14	1	1	1111-3533-01	Fäste- täckåpa .....	Cover attachment.....			
X	17	1	1	1111-3524-01	Stag .....	Strut .....			
	18	4	4	9943-0620-16	Skruv .....	Screw .....			
X	19	1	1	1111-3568-01	Fästplåt- vä .....	Plate- LH .....			
X	19	1	1	1111-3568-02	Fästplåt- hö .....	Plate- RH .....	Not ill.		
	21	5	5	9840-7916-16	Skruv .....	Screw .....			
	22	3	3	9699-0087-02	Planbricka.....	Flat washer .....			
	30	1	1	1111-9070-01	Knivfäste.....	Blade holder .....			
	31	1		1111-9090-01	Kniv .....	Blade .....			
	31		1	1111-9091-01	Kniv .....	Blade .....			
	32	1	1	9696-0011-01	Bricka .....	Washer .....			
	33	1	1	9987-5251-12	Skruv .....	Screw .....			
	34	1	1	9600-0014-00	Kil .....	Key .....			
	40	3	3	9955-3732-12	Skruv .....	Screw .....			
	41	1	1	1111-3352-01	Motorkåpa- svart .....	Engine cover- black.....			
	42	2	2	9500-9907-01	Skruv .....	Screw .....			
X	50	1	1	1111-3525-01	Uppsamlarlock- gul.....	Top collector- yellow .....			
X	54	1	1	1111-3528-01	Uppsamlarpåse- svart.....	Collecting bag- black .....			
X	55	1	1	1111-3526-01	Trådbygel.....	Wire clamp .....			
	56	2	2	9838-9522-12	Skruv .....	Screw .....			
	57	2	2	9699-0100-02	Bricka .....	Washer .....			
X	99	1	1	1111-3588-04	Dekalsats .....	Label kit .....	STIGA		



Utgåva Issue 2003- 43		Bildnr Picture No 1572		TURBO 48S- 55S ROLLER STYRE REGLAGE		TURBO 48S- 55S ROLLER HANDLE CONTROLS		Sida Page 238	
Pos. Fig.	Antal/Quantity			Art nr Part No	Benämning	Description	Sats Kit	Anmärkning Notes	
	5386	9386							
	1	2	2	9403-0043-70	Plugg .....	Plug .....			
X	2	1	1	1111-3538-01	Styre- överdel .....	Handle- upper .....			
X	3	2	2	1111-3537-01	Styre- underdel .....	Handle- lower .....			
X	4A	1	1	1111-3549-01	Styrinfästning- vä .....	Handle bracket- LH .....			
X	4B	1	1	1111-3549-02	Styrinfästning- hö .....	Handle bracket- RH .....			
	5	4	4	9997-0820-16	Skruv .....	Screw .....			
	6	4	4	9699-0056-02	Planbricka .....	Flat washer .....			
	7	4	4	9739-0831-22	Mutter .....	Nut .....			
	8	2	2	1117-3194-01	Låsratt .....	Locking knob .....			
	9	2	2	9799-0831-02	Mutter .....	Nut .....			
	10	2	2	9699-0028-02	Planbricka .....	Flat washer .....			
	11	2	2	9898-0845-12	Skruv .....	Screw .....			
	12	2	2	9997-0825-16	Skruv .....	Screw .....			
X	13	1	1	1111-3578-01	Ögla .....	Eyelink .....			
X	14	2	2	1111-3554-01	Bussning .....	Bushing .....			
	15	2	2	9799-0831-02	Mutter .....	Nut .....			
	16	6	6	9699-0056-02	Planbricka .....	Flat washer .....			
X	17	1	1	1111-3577-01	Axel .....	Shaft .....			
X	18	1	1	1111-3576-01	Rör .....	Tube .....			
	19	2	2	9799-0831-02	Mutter .....	Nut .....			
	20	1	1	9799-0631-02	Mutter .....	Nut .....			
	21	1	1	1111-3063-01	Ögla .....	Eye link .....			
X	22	2	2	1111-3583-01	Hylsa .....	Collar .....			
	30	1	1	9948-0640-16	Skruv .....	Screw .....			
	31	1	1	9747-0631-02	Låsmutter .....	Lock nut .....			
	32	1	1	1111-2953-01	Manöverbygel .....	Control handle .....			
	33	1	1	1111-2968-02	Motorbromswire .....	Engine brake cable .....			
	33	1	1	1111-2968-05	Motorbromswire .....	Engine brake cable .....			
	34	2	2	1111-2018-01	Kabelhållare .....	Cable holder .....			
	35	2	2	9836-9216-12	Skruv .....	Screw .....			
	38	1	1	1111-2954-01	Manöverbygel .....	Control handle .....			
	39	1	1	1111-3388-01	Kopplingswire .....	Clutch cable .....			
	40	1	1	1111-2969-01	Wirefäste .....	Cable attachment .....			
	41	1	1	1111-2971-01	Variatorreglage .....	Variator control .....			
	41	1	1	1111-2971-03	Variatorreglage .....	Variator control .....			
	41A	1	1	1111-2941-01	• Reglageknopp .....	• Knob .....			
	41B	2	2	9838-9522-12	• Skruv .....	• Screw .....			
	42	2	2	9838-9540-12	Skruv .....	Screw .....			
X	80	1	1	1111-3569-02	Tillbehörspåse .....	Accessory bag .....		Pos 81 - 84 incl.	
X	81	1	1	1111-2921-01	• Tändstiftsnyckel .....	• Spark plug wrench .....			
X	82	1	1	1111-2113-01	• Vridpinne .....	• Rod .....			
	83	2	2	9403-0113-00	• Mutterhatt .....	• Nut cap .....			
	84	2	2	9579-0008-00	• Buntband .....	• Cable holder .....			



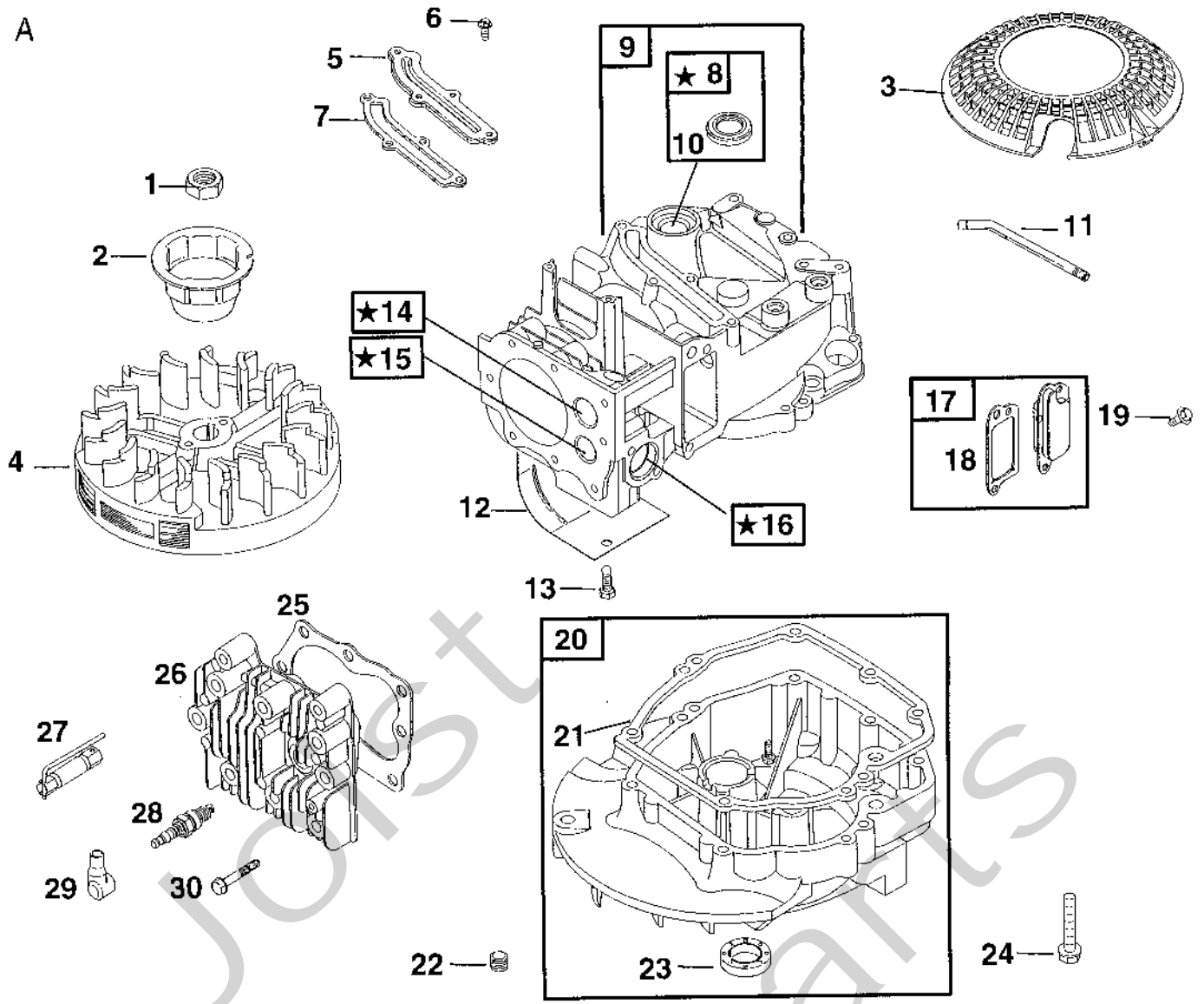
Utgåva Issue		Bildnr Picture No		TURBO 48S- 55S ROLLER TRANSMISSION		TURBO 48S- 55S ROLLER TRANSMISSION		Sida Page	
2003- 43		1471A						240	
Pos. Fig.	Antal/Quantity			Art nr Part No	Benämning	Description	Sats Kit	Anmärkning Notes	
	5386	9386							
40	1	1		1111-2433-01	Motorremskiva .....	Engine belt pulley .....			
41	1	1		9910-0612-16	Stoppskruv .....	Set screw .....			
42	1			9585-0136-01	Drivrem .....	Drive belt .....			
42		1		9585-0137-01	Drivrem .....	Drive belt .....			
44	1	1		1111-3448-01	Transmission .....	Transmission .....			
44A	1	1		1111-3446-01	• Fjäder .....	• Spring .....		Ej ill/not ill.	
45	1	1		1111-3001-01	Variator .....	Variator assy .....			
46	1	1		9594-0026-00	Spännstift .....	Locating pin .....			
47	2	2		9404-0083-00	Tätningring .....	Seal ring .....			
49	2	2		9695-0013-00	Bricka .....	Washer .....			
54	2	2		9699-0037-02	Bricka .....	Washer .....			
55	2	2		9652-0010-04	Låsring .....	Snap .....			
60	1	1		9943-0650-16	Skruv .....	Screw .....			
61	1			1111-2942-01	Spännarm .....	Tension arm .....			
61		1		1111-3051-01	Spännarm .....	Tension arm .....			
62	1	1		1111-2746-01	Remskiva .....	Belt pulley .....			
63	1	1		1111-2747-01	Spännrulle .....	Tension roller .....			
64	1			1111-2943-01	Fäste .....	Bracket .....			
64		1		1111-3050-01	Stag .....	Bracket .....			
65	1	1		1111-2423-01	Distans .....	Spacer .....			
66	1	1		9838-9522-12	Skruv .....	Screw .....			
67	2	2		9947-0616-16	Skruv .....	Screw .....			
68	1	1		1111-2469-01	Fäste .....	Attachment .....			
69	2	2		9699-0060-02	Planbricka .....	Flat washer .....			
70	1	1		9997-0630-12	Skruv .....	Screw .....			
71	1	1		9747-0631-02	Låsmutter .....	Lock nut .....			
80	1	1		1111-3423-01	Kedjehjul .....	Sprocket .....		9T	
81	1	1		1111-3424-01	Kedjehjul .....	Sprocket .....		21T	
82	1	1		9943-0612-16	Skruv .....	Screw .....			
83	2	2		9699-0060-02	Planbricka .....	Flat washer .....			
X 84	1	1		1111-3562-01	Kedja (nitad) .....	Chain (riveted) .....			
X 86	1	1		1111-3516-02	Kedjeskydd- svart .....	Chain guard- black .....			
X 87A	1			1111-3517-02	Skyddskåpa- svart .....	Cover- black .....			
X 87B		1		1111-3518-02	Skyddskåpa- svart .....	Cover- black .....			
88	1	1		9943-0620-16	Skruv .....	Screw .....		L = 20 mm	
89	3	3		9699-0060-02	Planbricka .....	Flat washer .....			
X 90	2	2		9943-0625-16	Skruv .....	Screw .....		L = 25 mm	



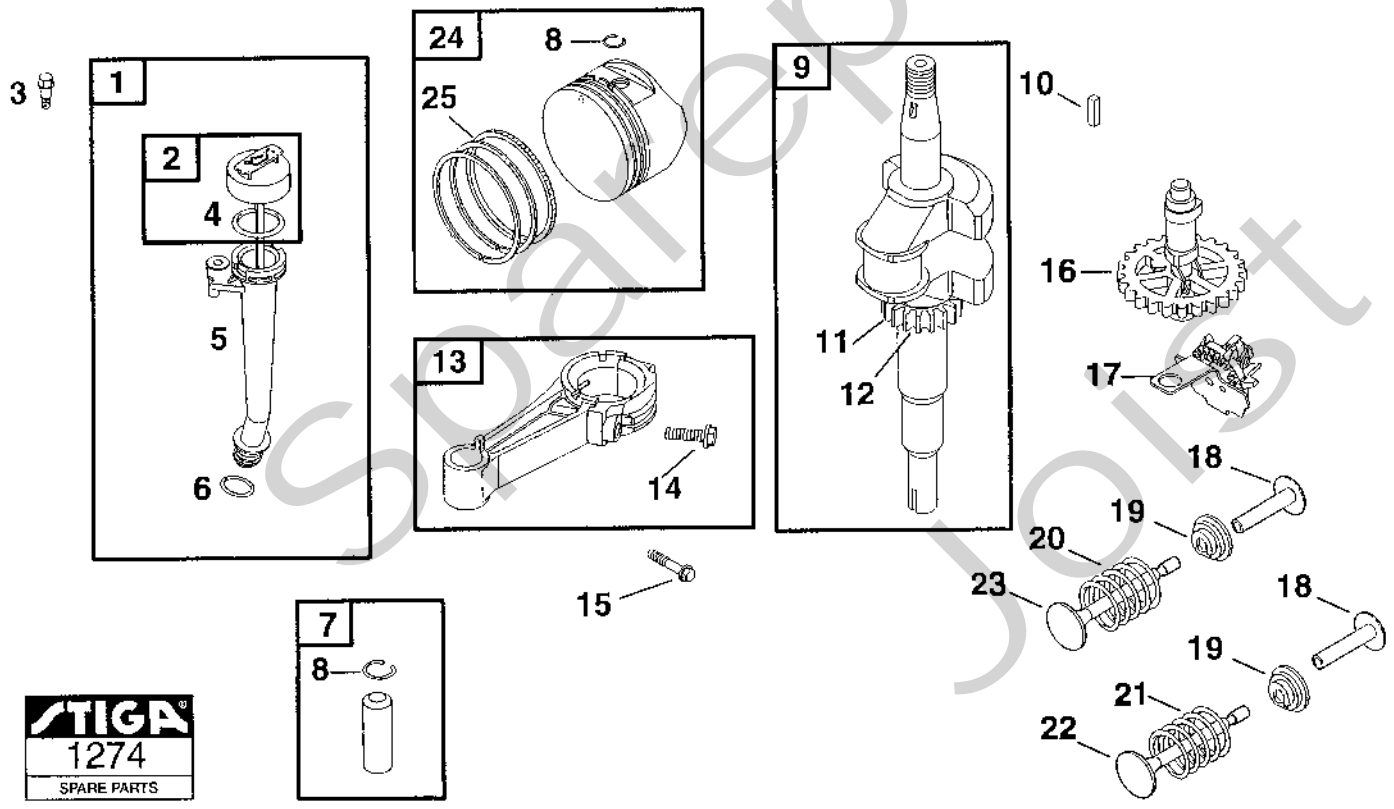


Utgåva Issue		Bildnr Picture No		TURBO 48S-55S ROLLER HJULUPPHÄNGNING		TURBO 48S-55S ROLLER WHEEL SUSPENSION		Sida Page	
2003-43		1574						242	
Pos. Fig.	Antal/Quantity			Art nr Part No	Benämning	Description	Sats Kit	Anmärkning Notes	
	5386	9386							
1	2	2		1111-2784-01	Hjul kpl .....	Wheel assy .....			
2	2	2		1111-3296-01	• Kullager .....	• Ball bearing .....			
3	2	2		9943-0612-16	Skruv .....	Screw .....			
4	2	2		9699-0100-02	Bricka .....	Washer .....			
5	2	2		1111-2785-01	Täckbricka .....	Wheel cover .....			
6	2	2		1111-1138-01	Fjäder .....	Spring .....			
7	1			1111-3466-01	Framaxel .....	Front axle .....			
7		1		1111-3466-02	Framaxel .....	Front axle .....			
8	2	2		1111-1504-01	Överfall .....	Retainer .....			
9	2	2		9947-0616-16	Skruv .....	Screw .....			
X 10A	1			1111-3522-01	Vagga .....	Rocker .....			
X 10B		1		1111-3523-01	Vagga .....	Rocker .....			
11	2	2		1111-2814-01	Bussning .....	Bushing .....			
12	4	4		9947-0616-16	Skruv .....	Screw .....			
17	1	1		9699-0121-02	Planbricka .....	Flat washer .....			
18	1	1		1111-3467-01	Distans .....	Spacer .....			
19	2	2		1111-3434-01	Lagerhållare .....	Bearing holder .....			
20A	1			1111-3429-01	Rulle .....	Roller .....			
20B		1		1111-3430-01	Rulle .....	Roller .....			
21	2	2		9549-0055-01	Kullager .....	Ball bearing .....			
22	5	5		9943-0612-16	Skruv .....	Screw .....			
23	1	1		9699-0060-02	Planbricka .....	Flat washer .....			
24	1	1		1111-3425-01	Spak .....	Lever .....			
25	1	1		1111-2445-01	Handtag .....	Grip .....			
26	1	1		9838-9516-12	Skruv .....	Screw .....			
27	1			1111-3414-01	Dragstång .....	Tie rod .....			
27		1		1111-3415-01	Dragstång .....	Tie rod .....			
28	1	1		9675-0011-00	Starlock .....	Starlock .....			
29	1	1		1111-2819-01	Fjäder .....	Spring .....			
30	2	2		1111-3084-01	Navkapsel- gul .....	Hub cap- yellow .....			
31	1	1		9672-0007-09	Starlock .....	Starlock washer .....			
32	2	2		9947-0616-16	Skruv .....	Screw .....			

A



B

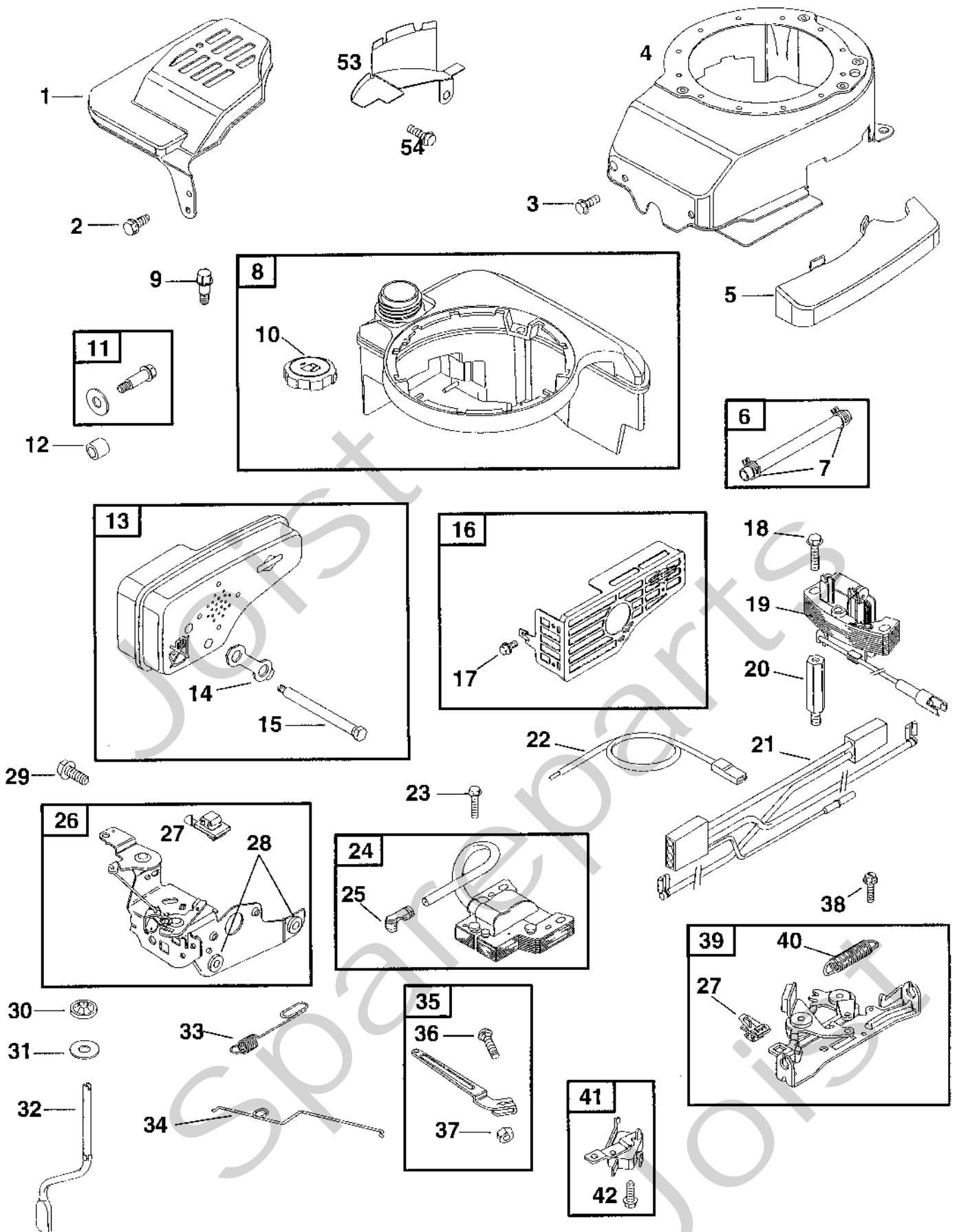


**STIGA**  
1274  
SPARE PARTS

Utgåva Issue		Bildnr Picture No		BRIGGS & STRATTON 12H802, 12H807 CYLINDER VEVAXEL		BRIGGS & STRATTON 12H802, 12H807 CYLINDER CRANKSHAFT		Sida Page	
2003-43		1274						352	
Pos. Fig.	Antal/Quantity			Art nr Part No	Benämning	Description	Sats Kit	Anmärkning Notes	
	12H 802- 1935	12H 807- 1936	12H 802- 1966						
A01	1	1	1	690662	Mutter.....	Flywheel nut.....			
A02	1	1	1	695161	Svänghjuls kopp.....	Flywheel cup.....			
A03	1	1	1	691919	Skydd.....	Rewind guard.....			
A04		1		691987	Svänghjul.....	Flywheel.....			
A04	1		1	692315	Svänghjul.....	Flywheel.....			
A05	1	1	1	692342	Lock.....	Cover.....			
A06	4	4	4	690345	Skruv.....	Screw.....			
A07	1	1	1	691879	Packning.....	Gasket.....			
A08	1	1	1	399269	• Bussning.....	• Bushing.....			
A09	1	1	1	697322	Cylinder kpl.....	Cylinder Assy.....			
A10	1	1	1	299819	Tätningring.....	Oil seal.....			
A11			1	499675	Ventilationsrör.....	Breather tube.....			
A11	1	1		691781	Ventilationsrör.....	Breather tube.....			
A12	1	1	1	690450	Cylinderskydd.....	Cylinder shield.....			
A13	1	1	1	690345	Skruv.....	Screw.....			
A14	1	1	1	691155	• Ventilåsa- insug.....	• Valve seat- intake.....			
A15	1	1	1	690380	• Ventilåsa- utblås.....	• Valve seat- exhaust.....			
A16	1	1	1	262001	• Ventilstyrning- utblås.....	• Valve guide- exhaust.....			
A16	1	1	1	63709	• Ventilstyrning- insug.....	• Guide- intake valve.....			
A17	1	1	1	695250	Vevhusventilation.....	Breather.....			
A18	1	1	1	696125	• Packning.....	• Gasket.....			
A19	2	2	2	691125	Skruv.....	Screw.....			
A20	1	1	1	493279	Vevhus.....	Engine sump.....			
A21	1	1	1	692232	• Packning.....	• Gasket.....			
A22	1	1	1	691680	Oljeavtappningsplugg.....	Oil drain plug.....			
A23	1	1	1	399781	• Tätningring.....	• Oil seal.....			
A24	7	7	7	691092	Skruv.....	Screw.....			
A25	1	1	1	692249	Packning.....	Gasket.....			
A26	1	1	1	691160	Topplöck.....	Cylinder head.....			
A27	1	1	1	1111-9029-01	Tändstiftsnyckel.....	Spark plug wrench.....			
A28	1	1	1	9400-0225-00	Tändstift.....	Spark plug.....		Champion J19LM	
A29	1	1	1	66538	Tändstiftsskydd.....	Spark plug elbow.....			
A30	8	8	8	690912	Skruv.....	Screw.....			
B01	1	1	1	692017	Oljesticka kpl.....	Oil dipstick Assy.....			
B02	1	1	1	495264	• Oljesticka.....	• Oil dipstick.....			
B03	1	1	1	690940	Skruv.....	Screw.....			
B04	1	1	1	691031	• O-ring.....	• O-ring.....			
B05	1	1	1	495265	• Oljepåfyllningsrör.....	• Oil filler tube.....			
B06	1	1	1	692296	• Tätningring.....	• Tube seal.....			
B07	1	1	1	499423	Kolvbult.....	Piston pin.....			
B08	2	2	2	691866	• Låsring.....	• Lock ring.....			
B09	1	1	1	691452	Vevaxel.....	Crankshaft.....			
B10	1	1	1	222698	Kil.....	Key.....			
B11	1	1	1	691830	• Drev.....	• Timing gear.....			
B12	1	1	1	690979	• Kil.....	• Timing key.....			
B13	1	1	1	499424	Vevstake.....	Connecting rod.....			
B14	1	1	1	691664	• Skruv.....	• Screw.....			
B15	1	1	1	695759	Skruv.....	Screw.....			
B16	1	1	1	691449	Kamaxel.....	Camshaft.....			
B17	1	1	1	691997	Oljeslångare.....	Oil slinger.....			
B18	2	2	2	690548	Ventilyftare.....	Valve tappet.....			
B19	2	2	2	692194	Ventilhållare.....	Valve retainer.....			
B20	1	1	1	691270	Ventilfjäder.....	Valve spring.....			
B21	1	1	1	691270	Ventilfjäder.....	Valve spring.....			
B22	1	1	1	262651	Utblåsningsventil.....	Exhaust valve.....			
B23	1	1	1	262652	Insugningsventil.....	Intake valve.....			
B24	1	1	1	499429	Kolv kpl.....	Piston Assy.....		Standard	
B24	1	1	1	499430	Kolv kpl.....	Piston Assy.....		.010" oversize	
B24	1	1	1	499431	Kolv kpl.....	Piston Assy.....		.020" oversize	
B24	1	1	1	499432	Kolv kpl.....	Piston Assy.....		.030" oversize	
B25	1	1	1	499425	• Kolvringsatts.....	• Ring set.....		Standard	
B25	1	1	1	499426	• Kolvringsatts.....	• Ring set.....		.010" oversize	
B25	1	1	1	499427	• Kolvringsatts.....	• Ring set.....		.020" oversize	

X

A

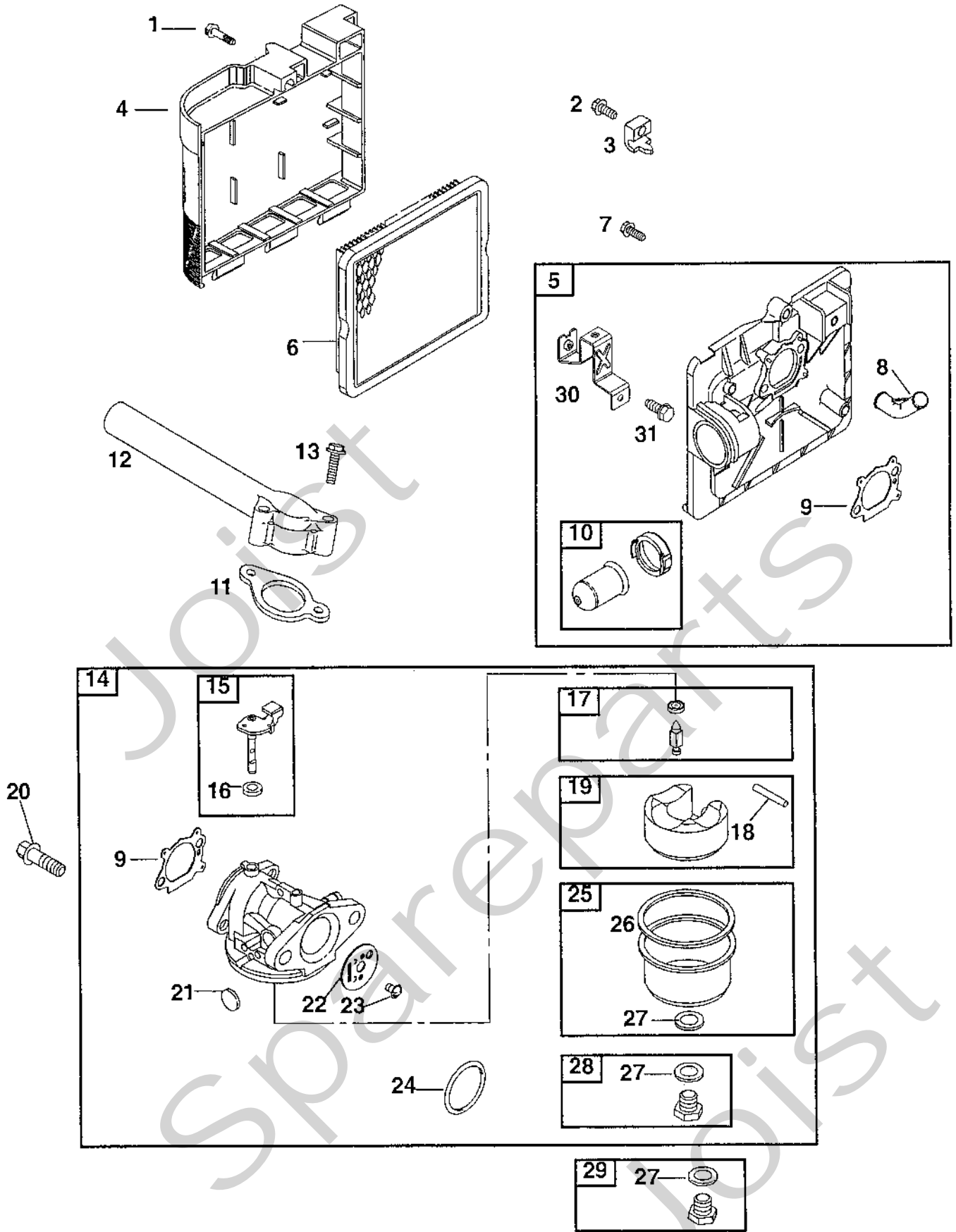


Utgåva Issue		Bildnr Picture No		BRIGGS & STRATTON 12H802, 12H807 BRÄNSLETANK REGULATOR		BRIGGS & STRATTON 12H802, 12H807 FUEL TANK GOVERNOR		Sida Page	
2003-43		1275						354	
Pos. Fig.	Antal/Quantity			Art nr Part No	Benämning	Description	Sats Kit	Anmärkning Notes	
	12H 802- 1935	12H 807- 1936	12H 802- 1966						
A01	1	1	1	691757	Lock.....	Control cover .....			
A02	1	1	1	690664	Skruv .....	Screw .....			
A03	4	4	4	691108	Skruv .....	Screw .....			
A04	1	1	1	493293	Fläkthus .....	Blower housing .....			
A05	1	1	1	690595	Lock.....	Brake cover .....			
A06	1		1	691050	Bränsleslang .....	Fuel line.....			
A06		1		691371	Bränsleslang .....	Fuel line.....			
A07	2	2	2	95162	Slangklämma.....	Hose clamp .....			
A08	1	1	1	495224	Bränsletank.....	Fuel tank .....			
A09	2	2	2	690940	Skruv .....	Screw .....			
A10	1	1	1	397974	• Tanklock .....	• Fuel cap.....			
A11	1	1	1	692311	Skruv/bricka .....	Screw/washer .....			
A12	1	1	1	692294	Distans .....	Spacer .....			
A13	1	1	1	692038	Ljuddämpare .....	Muffler .....			
A14	1	1	1	691740	• Låsbleck .....	• Screw lock .....			
A15	2	2	2	691340	• Skruv .....	• Screw .....			
A16	1	1	1	499034	Skydd .....	Guard .....			
A17	2	2	2	690664	• Skruv .....	• Screw .....			
A18		2		691648	Skruv .....	Screw .....			
A19		1		691991	Generator.....	Alternator .....			
A20		2		691094	Pinnbult .....	Stud .....			
A21		1		696547	Kablage.....	Wiring harness .....			
A22	1	1	1	692390	Stoppkabel.....	Stop wire .....			
A23	2	2	2	691061	Skruv .....	Screw .....			
A24	1	1	1	802574	Tändsystem .....	Magneto armature .....			
A25	1	1	1	493880	• Anslutningshylsa .....	• Terminal .....			
A26	1	1	1	692031	Reglageplåt.....	Control bracket .....			
A27	2	2	2	692310	• Stoppkontakt .....	• Stop switch .....			
A28	1	1	1	493823	• Distans .....	• Spacer .....			
A29	2	2	2	690877	Skruv .....	Screw .....			
A30	1	1	1	690340	Hållare .....	Retainer .....			
A31	1	1	1	690272	Bricka .....	Washer .....			
A32	1	1	1	691308	Regulatoraxel.....	Governor crank .....			
A32			1	698801	Regulatoraxel.....	Governor crank .....			
A33	1	1	1	691292	Regulatorfjäder.....	Governor spring .....			
A34	1	1	1	691829	Regulatorlänk .....	Governor link .....			
A35	1	1	1	690783	Regulatorarm.....	Govern. control lever .....			
A36	1	1	1	92613	• Skruv .....	• Screw .....			
A37	1	1		231082	• Mutter.....	• Nut .....			
A37			1	691251	• Mutter.....	• Nut .....			
A38	2	2	2	691648	Skruv .....	Screw .....			
A39	1	1	1	691994	Broms.....	Brake .....			
A40	1	1	1	691831	• Bromsfjäder.....	• Brake spring .....			
A41		1		499421	Brytare .....	Switch .....			
A42		1		691627	• Skruv .....	• Screw .....			
A53	1	1	1	694086	Svänhjulsskydd .....	Flywheel guard .....			
A54	1	1	1	691108	Skruv .....	Screw .....			

2 st/includes 2

X

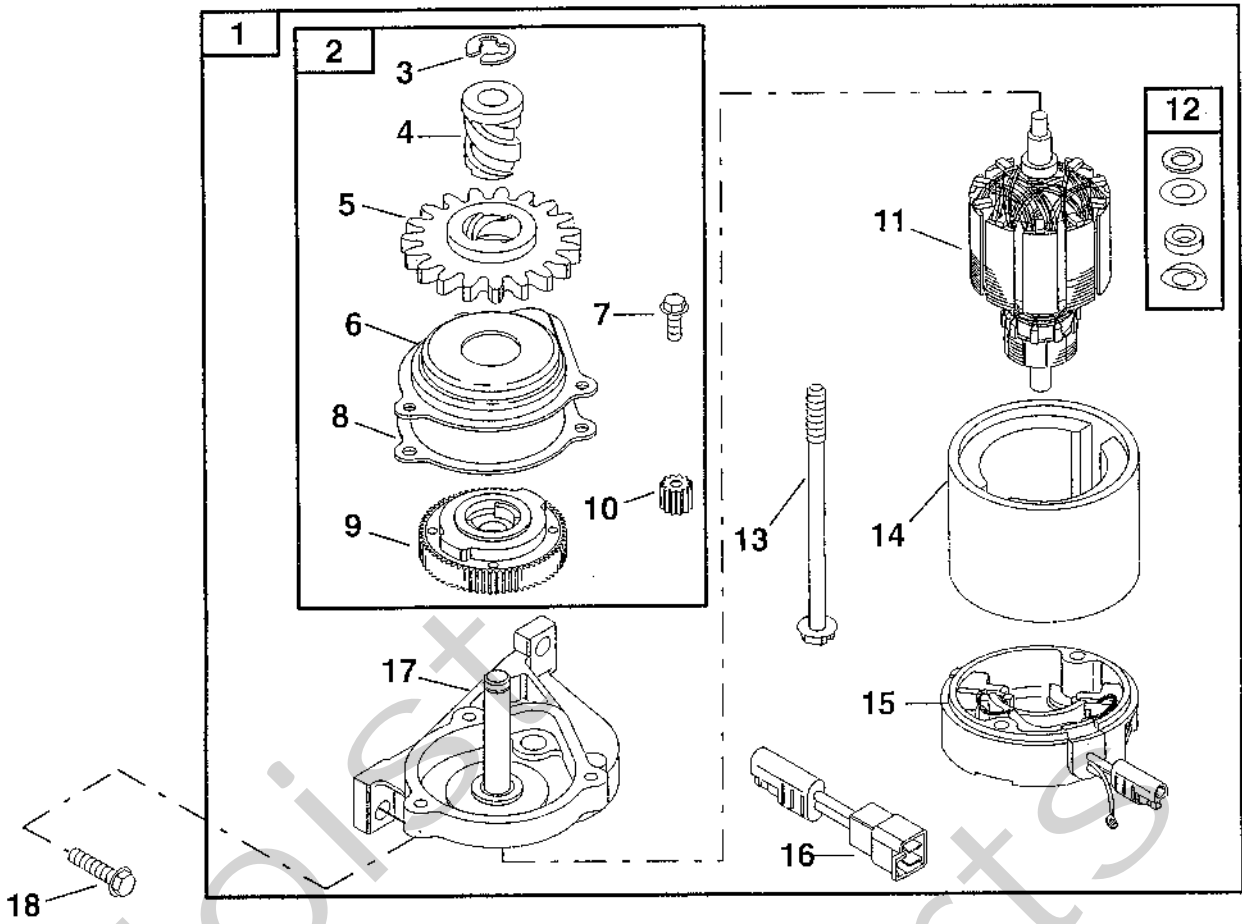
A



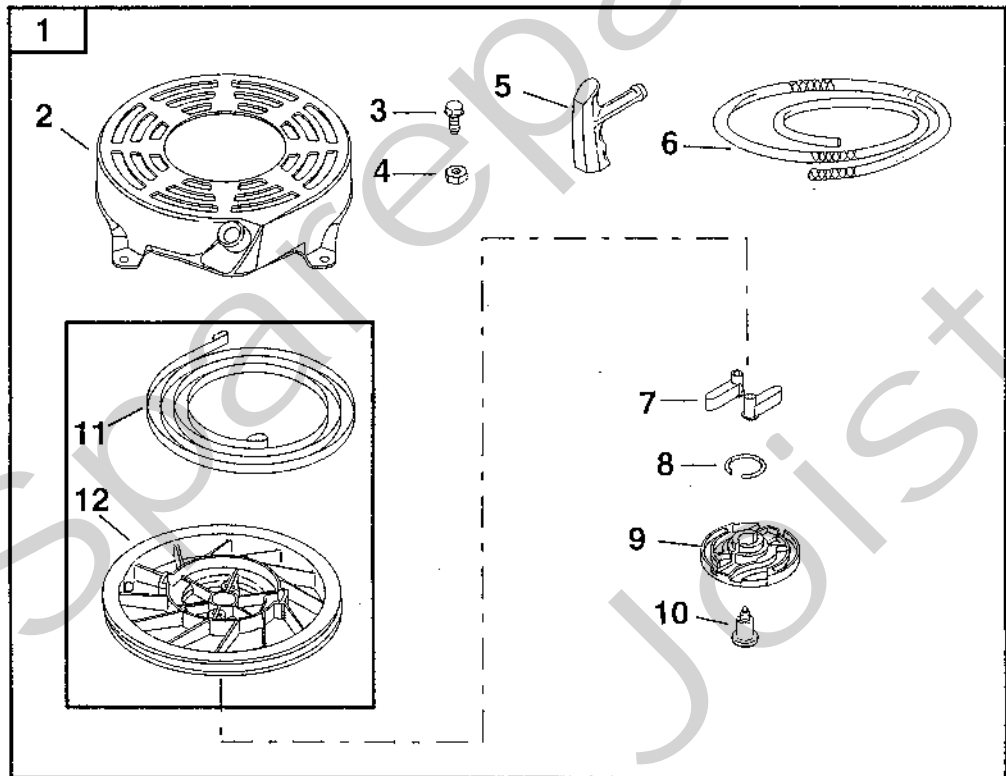
Utgåva Issue		Bildnr Picture No		BRIGGS & STRATTON 12H802, 12H807 LUFTFILTER FÖRGASARE		BRIGGS & STRATTON 12H802, 12H807 AIR CLEANER CARBURETTOR		Sida Page	
2003- 43		1276A						356	
Pos. Fig.	Antal/Quantity			Art nr Part No	Benämning	Description	Sats Kit	Anmärkning Notes	
	12H 802- 1935	12H 807- 1936	12H 802- 1966						
A01	1	1	1	690670	Skruv .....	Screw .....			
A02	1	1	1	691044	Skruv .....	Screw .....			
A03	1	1	1	690798	Wireklämma .....	Casing clamp .....			
A04	1	1	1	692298	Luftrenarlock .....	Air cleaner cover .....			
A05	1	1	1	496116	Luftrenarfäste .....	Air cleaner base .....			
A06	1	1	1	491588	Pappersfilter .....	Air filter .....			
A07	2	2	2	692523	Skruv .....	Screw .....			
A08	1	1	1	691923	• Hylsa .....	• Grommet .....			
A09	1	1	1	272653	• Packning .....	• Gasket .....			
A10	1	1	1	694395	• Primer .....	• Primer .....			
A11	1	1	1	272199	Packning .....	Gasket .....			
A12	1	1	1	497465	Insugningsrör .....	Intake pipe .....			
A13	2	2	2	691650	Skruv .....	Screw .....			
A14	1	1	1	498170	Förgasare kpl .....	Carburettor assy .....			
A15	1	1	1	696565	• Spjällaxel .....	• Throttle shaft .....			
A16	1	1	1	691321	• • Dammtätning .....	• • Dust seal .....			
A17	1	1	1	398188	• Bränslenål .....	• Inlet valve .....			
A18	1	1	1	691242	• • Flottöraxel .....	• • Float hinge pin .....			
A19	1	1	1	398187	• Flottör .....	• Float .....			
A20	2	2	2	692524	Skruv .....	Screw .....			
A21	1	1	1	694468	• Expansionsbricka .....	• Welch plug .....			
A22	1	1	1	696564	• Gasspjäll .....	• Throttle valve .....			
A23	1	1	1	691636	• Skruv .....	• Screw .....			
A24	1	1	1	270344	• Tätning .....	• Seal .....			
A25	1	1	1	493640	• Flottörhus .....	• Bowl .....			
A26	1	1	1	693981	• • Packning .....	• • Gasket .....			
A27	1	1	1	271716	• Tätningsbricka .....	• Sealing washer .....			
A28	1	1	1	498978	• Huvudmunstycke .....	• Main jet .....			
A29	1	1	1	497466	Huvudmunstycke .....	Main jet .....			
A30	1	1	1	691753	• Fäste .....	• Bracket .....			
A31	1	1	1	691669	• Skruv .....	• Screw .....			

Standard  
High altitude

A

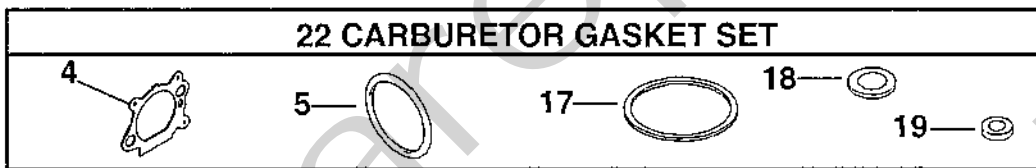
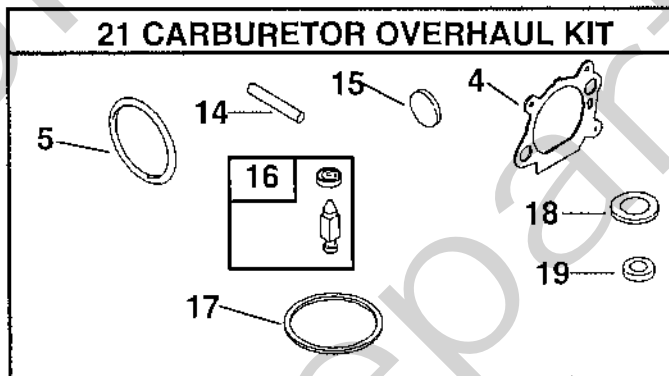
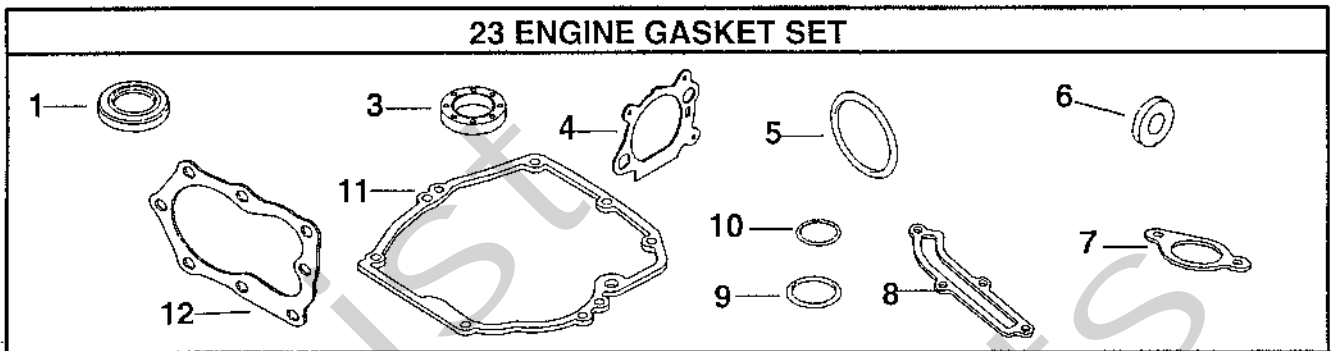


B





Utgåva Issue		Bildnr Picture No		BRIGGS & STRATTON 12H802, 12H807 STARTMOTOR SNÖRSTART		BRIGGS & STRATTON 12H802, 12H807 STARTER MOTOR REWIND STARTER		Sida Page	
2003-43		1277						358	
Pos. Fig.	Antal/Quantity			Art nr Part No	Benämning	Description	Sats Kit	Anmärkning Notes	
	12H 802- 1935	12H 807- 1936	12H 802- 1966						
A01		1		695550	Startmotor kpl .....	Starter motor assy .....			
A02		1		494147	• Drev kpl .....	• Drive kit .....			
A03		1		93941	•• Låsring .....	•• Retainer .....			
A04		1		691325	•• Snäckdrev .....	•• Starter spline .....			
A05		1		691918	•• Drev .....	•• Pinion gear .....			
A06		1		692341	•• Lock .....	•• Cover .....			
A07		3		690345	•• Skruv .....	•• Screw .....			
A08		1		692352	•• Packning .....	•• Gasket .....			
A09		1		692358	•• Koppling .....	•• Drive clutch .....			
A10		1		691269	•• Drev .....	•• Pinion gear .....			
A11		1		690786	• Rotor .....	• Starter armature .....			
A12		1		492919	• Brickor .....	• Washer set .....			
A13		2		692327	• Bult .....	• Bolt .....			
A14		1		695266	• Starthus .....	• Starter housing .....			
A15		1		695267	• Bottenkåpa .....	• End cap .....			
A16		1		695268	• Kabeladapter .....	• Wire adapter .....			
A17		1		690782	• Lock .....	• Drive cap .....			
A18		2		691127	Skruv .....	Screw .....			
B01	1	1	1	497680	Start kpl .....	Starter assy .....			
B02	1	1	1	691421	• Starthus .....	• Starter housing .....			
B03	4	4	4	690837	• Skruv .....	• Screw .....			
B04	4	4	4	690800	• Mutter .....	• Nut .....			
B05	1	1	1	281434	• Starthandtag .....	• Handle .....			
B06	1	1	1	692259	• Startsnöre .....	• Starter rope .....			
B07	2	2	2	281505	• Startklo .....	• Starter pawl .....			
B08	1	1	1	691855	• Friktionsfjäder .....	• Friction spring .....			
B09	1	1	1	692299	• Spärrplatta .....	• Pawl friction plate .....			
B10	1	1	1	691696	• Skruv .....	• Screw .....			
B11	1	1	1	498144	• Linhjul m.fjäder .....	• Pulley/spring .....			
B12	1	1	1	498144	• Linhjul m.fjäder .....	• Pulley/spring .....			



Utgåva Issue 2003-43		Bildnr Picture No 1278A		BRIGGS & STRATTON 12H802, 12H807 PACKNINGSSATS		BRIGGS & STRATTON 12H802, 12HB07 GASKET SET		Sida Page 360	
Pos. Fig.	Antal/Quantity			Art nr Part No	Benämning	Description	Sats Kit	Anmärkning Notes	
	12H 802- 1935	12H 807- 1936	12H 802- 1966						
A01	1	1	1	299819	• Tätningsring .....	• Oil seal .....			
A03	1	1	1	399781	• Tätningsring .....	• Oil seal .....			
A04	1	1	1	272653	• Packning .....	• Gasket .....			
A05	1	1	1	270344	• Tätning .....	• Seal .....			
A06	1	1	1	493823	• Distans .....	• Spacer .....			
A07	1	1	1	272199	• Packning .....	• Gasket .....			
A08	1	1	1	691879	• Packning .....	• Gasket .....			
A09	1	1	1	691031	• O- ring .....	• O- ring .....			
A10	1	1	1	692296	• Tätningsring .....	• Tube seal .....			
A11	1	1	1	692232	• Packning .....	• Gasket .....			
A12	1	1	1	692249	• Packning .....	• Gasket .....			
A14	1	1	1	691242	• Flottöraxel .....	• Float hinge pin .....			
A15	1	1	1	694468	• Expansionsbricka .....	• Welch plug .....			
A16	1	1	1	398188	• Bränslenål .....	• Inlet valve .....			
A17	1	1	1	693981	• Packning .....	• Gasket .....			
A18	1	1	1	271716	• Tätningsbricka .....	• Sealing washer .....			
A19	1	1	1	691321	• Dammtätning .....	• Dust seal .....			
A21	1	1	1	498260	Rep.sats förgasare .....	Carb. overhaul kit .....			
A22	1	1	1	498261	Packn.sats- förg .....	Gasket set- carb. .....			
A23	1	1	1	497316	Packn.sats- motor .....	Gasket set- engine .....			