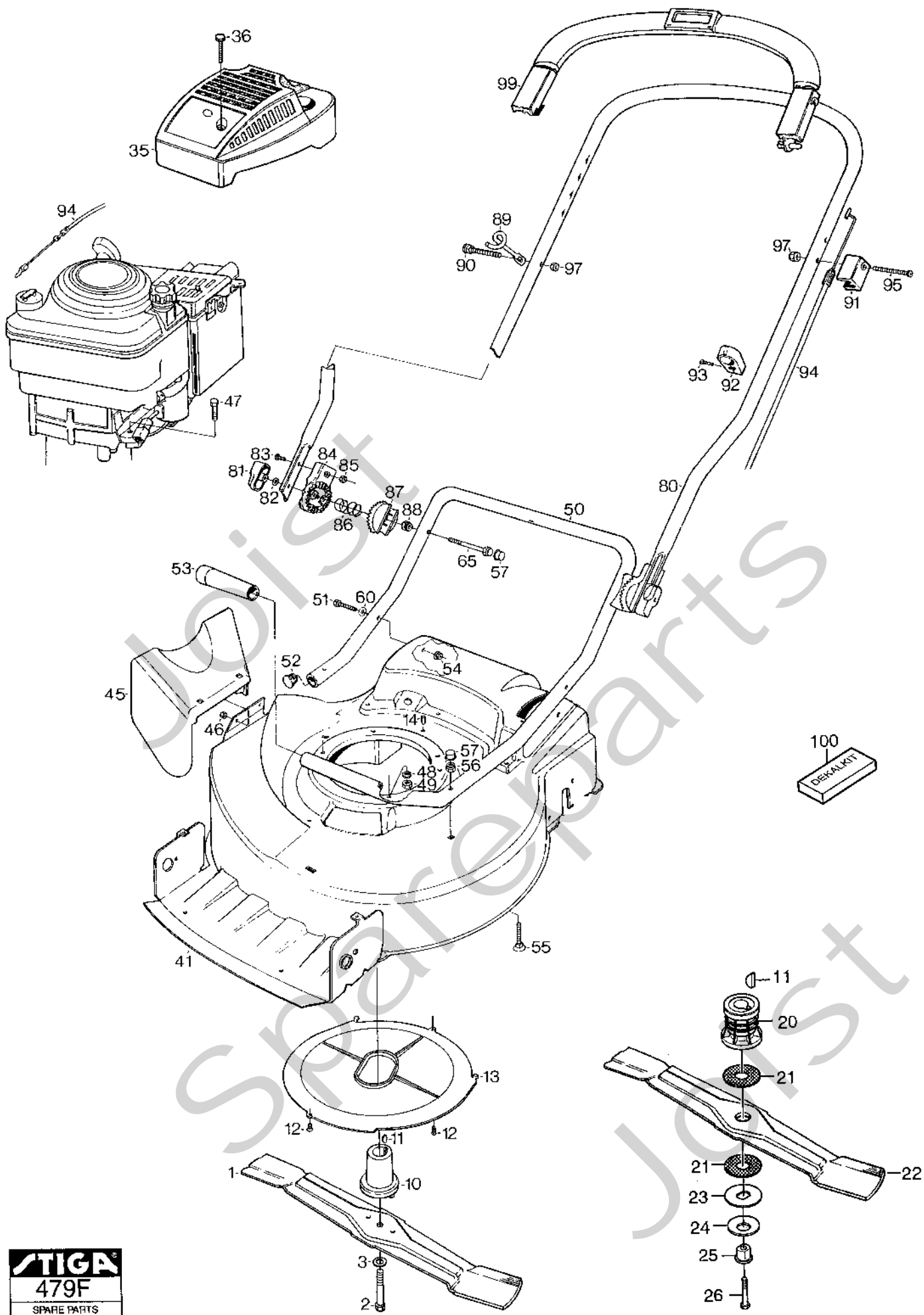


# Genuine Spare Parts

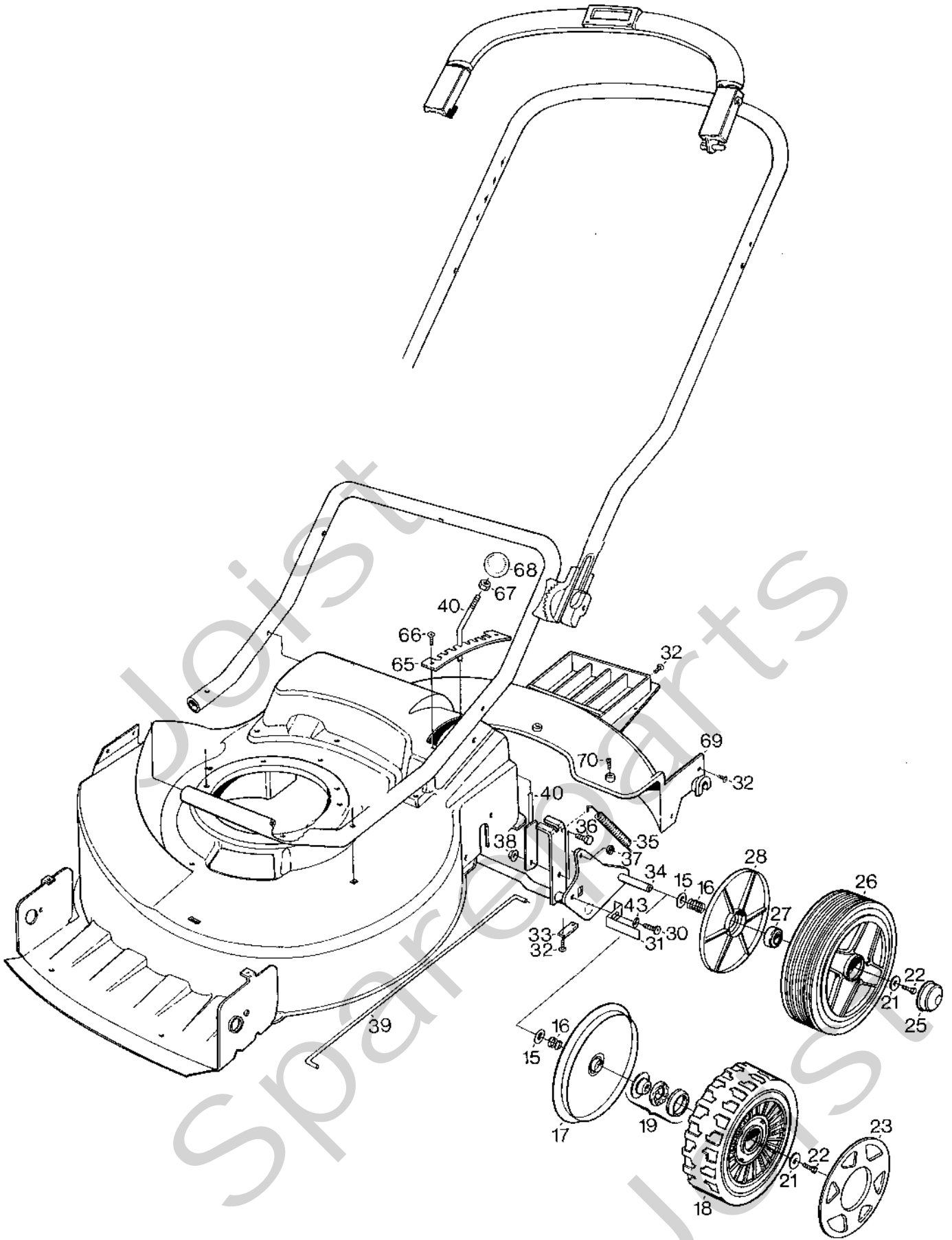
---



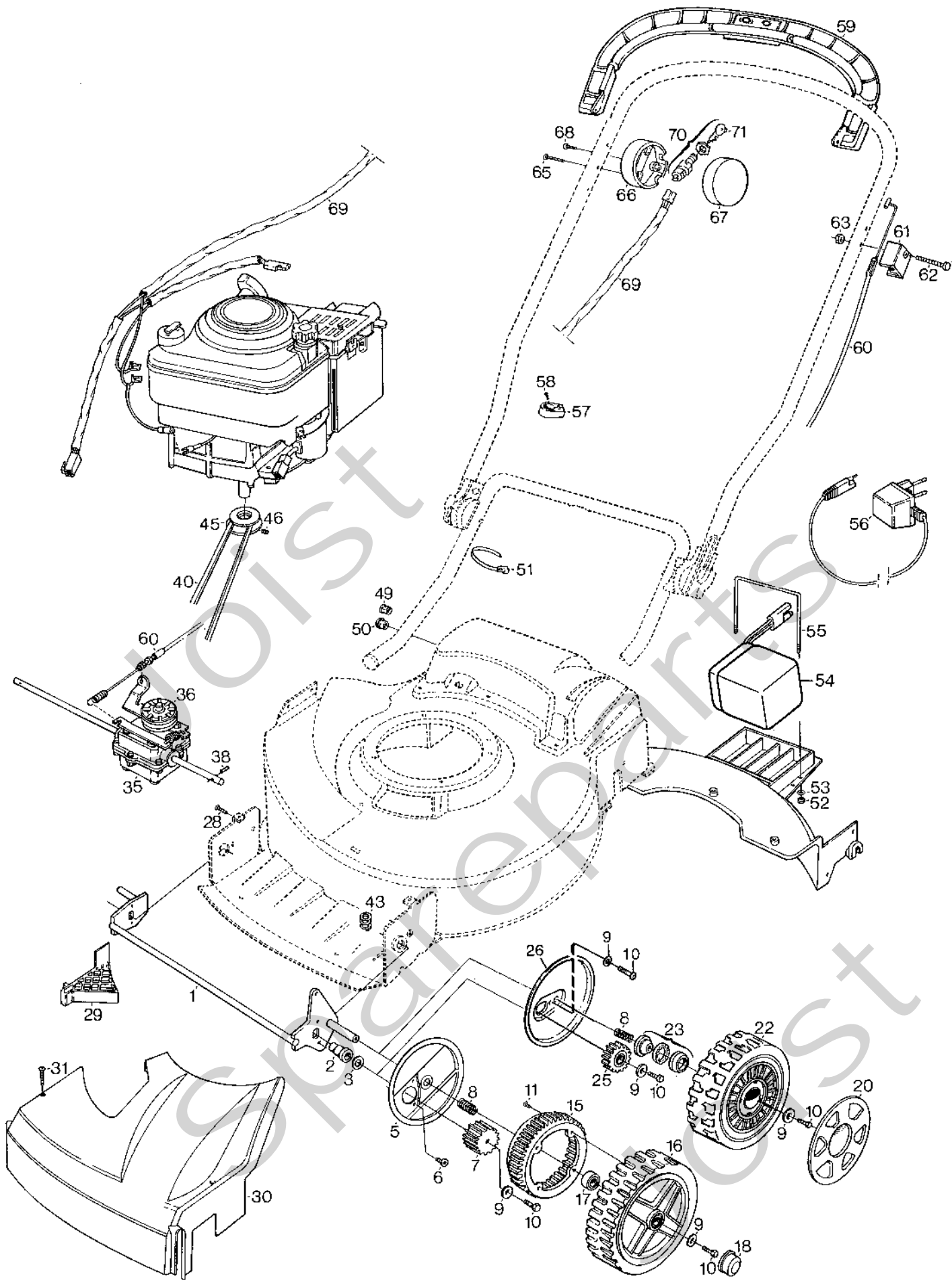
Joist  
Spareparts  
Joist



Utgåva Issue		Bildnr Picture No		TORNADO 51S- 51SE TORNADO PRO 51S CHASSI KNIV		TORNADD 51S- 51SE TORNADO PRO 51S CHASSIS BLADE		Sida Page	
2003-43		479F						52	
Pos. Fig.	Antal/Quantity			Art nr Part No	Benämning	Description	Sats Kit	Anmärkning Notes	
	4281 -61	4298 -21	4286 -41						
	1	1		1111-9094-01	Kniv .....	Blade .....			
	2	1		9987-5257-12	Knivbult .....	Blade bolt .....			
	3	1		9696-0011-01	Bricka .....	Washer .....			
	10	1		1111-9067-01	Knivfäste .....	Blade holder .....			
	11	1	1	9600-0014-00	Kil .....	Key .....			
	12	2	2	9849-8013-16	Skruv .....	Screw .....			
	13	1	1	1111-2604-01	Grässkydd .....	Grass guard .....			
	14	1	1	1111-2111-01	Skyddsknopp .....	Guard .....			
X	20		1	1111-3492-01	Knivfäste .....	Blade holder .....			
X	21		2	1111-3480-01	Friktionsbricka .....	Friction washer .....			
X	22		1	1111-2598-02	Kniv .....	Blade .....			
X	23		1	1111-3481-01	Bricka .....	Washer .....			
X	24		1	1111-3482-01	Tallriksfjäder .....	Disc washer .....			
X	25		1	1111-3483-01	Bussning .....	Bushing .....			
X	26		1	9987-5270-12	Skruv .....	Screw .....			
	35	1		1111-3287-01	Motorkåpa- svart .....	Engine cover- black .....			
	35		1	1111-3352-01	Motorkåpa- svart .....	Engine cover- black .....			
	36		2	9500-9907-01	Skruv .....	Screw .....			
	36	2		9828-7942-12	Skruv .....	Screw .....			
	41	1	1	1111-2481-01	Kåpa- gul .....	Chassis- yellow .....			
X	41		1	1111-2481-05	Kåpa- hammarlack .....	Chassis- hammerite .....			
X	45	1	1	1111-2671-01	Utkastskärm- gul .....	Ejection shield- yell. ....			
	45		1	1111-2671-04	Utkastskärm- gul .....	Ejection shield- yell. ....			
	46	2	2	9747-0531-02	Mutter .....	Nut .....			
	47	3		9997-0830-16	Skruv .....	Screw .....		L = 30 mm	
	47		2	9997-0835-12	Skruv .....	Screw .....		L = 35 mm	
	47		1	9997-0860-16	Skruv .....	Screw .....		L = 60 mm	
	48	3	3	9683-0030-02	Låsbricka .....	Lock washer .....			
	49	3	3	9799-0831-02	Mutter .....	Nut .....			
	50	1	1	1111-2571-01	Styre- underdel .....	Handlebar- lower part .....			
X	50		1	1111-2571-02	Styre- underdel .....	Handlebar- lower part .....			
	51	2	2	9997-0835-12	Skruv .....	Screw .....			
	52	1	1	9403-0043-70	Plugg .....	Plug .....			
	53	1	1	9403-0114-70	Handtag .....	Handle .....			
	54	2	2	9739-0831-22	Mutter .....	Nut .....			
	55	2	2	9898-0835-12	Skruv .....	Screw .....			
	56	2	2	9747-0831-02	Mutter .....	Lock nut .....			
	57	4	4	9403-0113-00	Mutterhatt .....	Nut cap .....			
	60	2	2	9699-0028-02	Planbricka .....	Flat washer .....			
	65	2	2	9997-0870-16	Skruv .....	Screw .....			
	80	1	1	1111-3244-01	Styre- överdel .....	Handlebar- upper part .....			
X	80		1	1111-3244-02	Styre- överdel .....	Handlebar- upper part .....			
	81	2	2	1111-2605-01	Justerratt .....	Adjusting knob .....			
	82	2	2	9699-0028-02	Planbricka .....	Flat washer .....			
	83	2	2	9943-0612-16	Skruv .....	Screw .....			
	84	2	2	1111-2576-01	Styrfäste- yttre .....	Handle holder- outer .....			
	85	2	2	9747-0831-02	Låsmutter .....	Lock nut .....			
	86	2	2	1111-2574-01	Tryckfjäder .....	Compr.spring .....			
	87	2	2	1111-2575-01	Styrfäste- inre .....	Handle holder- inner .....			
	88	2	2	9747-0831-02	Mutter .....	Lock nut .....			
	89	1	1	1111-3062-01	Ögla .....	Eyelink .....			
	90	1	1	9948-0630-16	Skruv .....	Screw .....			
	91	1	1	1111-2969-01	Wirefäste .....	Cable attachment .....			
	92	1	1	1111-2018-01	Kabelhållare .....	Cable holder .....			
	93	1	1	9836-9216-12	Skruv .....	Screw .....			
	94	1	1	1111-2968-05	Motorbromswire .....	Engine brake cable .....			
	95	1	1	9948-0640-16	Skruv .....	Screw .....		L = 40 mm	
	97	2	2	9747-0631-02	Låsmutter .....	Lock nut .....			
	99	1	1	1111-2953-01	Manöverbygel .....	Control handle .....			
X	100	1	1	1111-3596-02	Dekalsats .....	Label kit .....			
X	100		1	1111-3596-03	Dekalsats .....	Label kit .....			

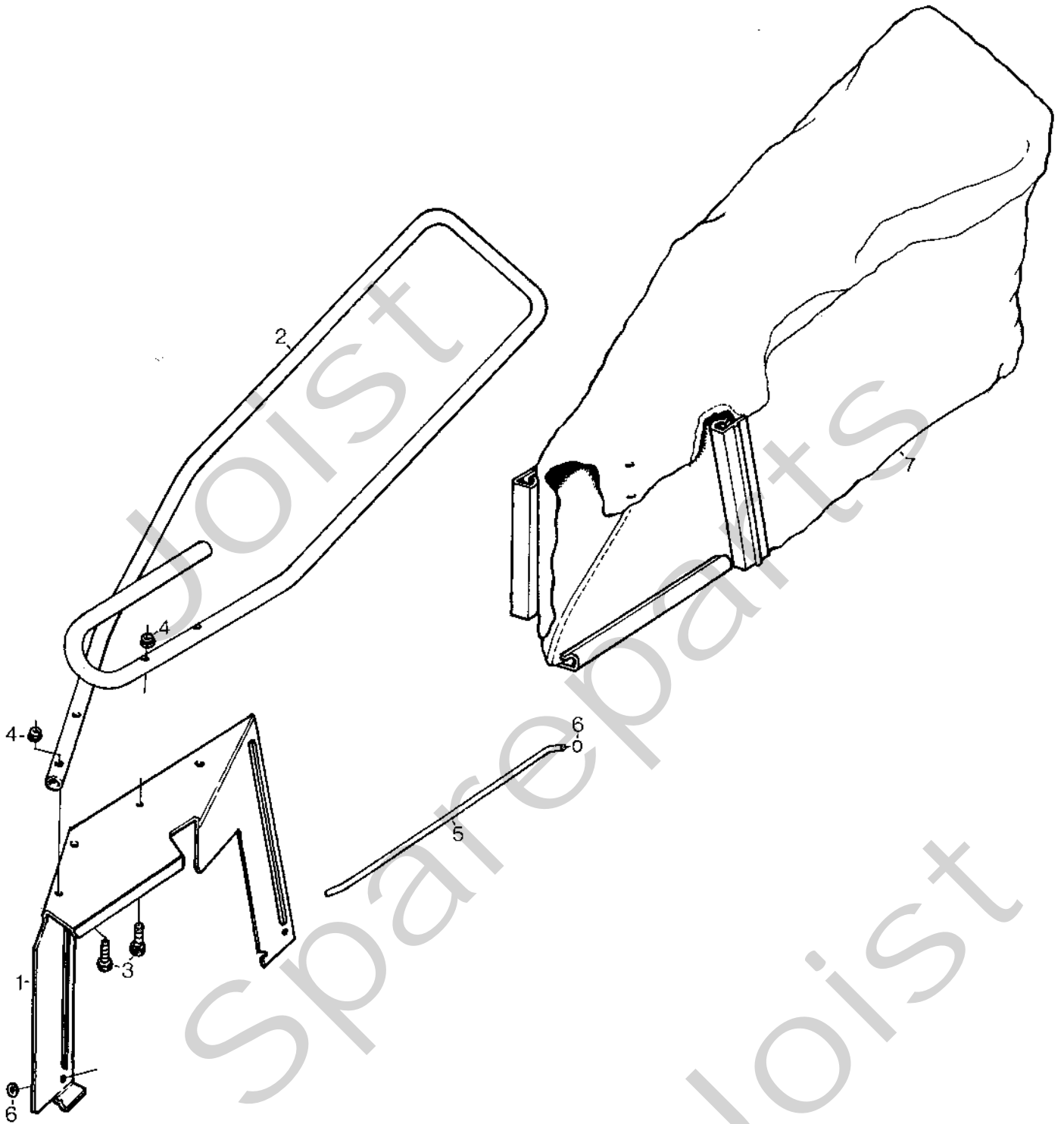


Utgåva Issue		Bildnr Picture No		TORNADO 51S-51SE TORNADO PRO 51S HJULUPPHÄNGNING- BAK		TORNADO 51S-51SE TORNADO PRO 51S WHEEL SUSPENSIDN- REAR		Sida Page	
2003-43		481F						54	
Pos. Fig.	Antal/Quantity			Art nr Part No	Benämning	Description	Sats Kit	Anmärkning Notes	
	4281 -61	4298 -21	4286 -41						
15	2	2	2	9699-0115-02	Bricka .....	Washer .....			
16	2	2	2	1111-3060-01	Fjäder .....	Spring .....			
17	2	2		1111-2782-01	Täckbricka .....	Wheel cover .....			
18	2	2		1111-2665-01	Hjul kpl .....	Wheel assy .....			
19	2	2		1111-3296-01	• Kullager .....	• Ball bearing .....			
21	2	2	2	9699-0100-02	Bricka .....	Washer .....			
22	2	2	2	9943-0612-16	Skruv .....	Screw .....			
23	2	2		1111-3085-01	Navkapsel- gul .....	Hub cap-yellow .....			
25			2	1111-2077-01	Navkapsel .....	Hub cap .....			
26			2	1111-2247-01	Hjul utan lager .....	Wheel w/o bearing .....			
27			4	9549-0001-00	Kullager .....	Ball bearing .....			
28			2	1111-2141-01	Täckbricka .....	Cover plate .....			
30	2	2	2	9943-0610-16	Skruv .....	Screw .....			
31	2	2	2	1111-2653-01	Hjulrensare .....	Wheel cleaner .....			
32	10	10	10	9836-9516-12	Skruv .....	Screw .....			
33	2	2	2	1111-2741-01	Överfall .....	Clamp .....			
34	1	1	1	1111-2586-01	Bakaxel .....	Rear axle .....			
35	1	1	1	1111-1074-01	Fjäder- höjdställn. ....	Spring- height adjust .....			
36	1	1	1	9997-0816-16	Skruv .....	Screw .....			
37	2	2	2	9675-0011-00	Starlock .....	Starlock .....			
38	1	1	1	9739-0831-22	Mutter .....	Nut .....			
39	1	1	1	1111-2597-01	Dragstång .....	Tension rod .....			
40	1	1	1	1111-2593-01	Spak .....	Lever .....			
43	2	2	2	9699-0025-02	Planbricka .....	Washer .....			
65	1	1	1	1111-2578-01	Höjdställn.segmet .....	Height adj.quadrant .....			
66	2	2	2	9849-8013-16	Skruv .....	Screw .....			
67	1	1	1	9799-0831-02	Mutter .....	Nut .....			
68	1	1	1	9403-0036-70	Kula .....	Lever knob .....			
69	1	1	1	1111-3371-01	Ledskena .....	Baffle .....			
70	3	3	3	9836-9512-12	Skruv .....	Screw .....			



Utgåva Issue		Bildnr Picture No		TORNADO 51S- 51SE TORNADO PRO 51S HJULUPPHÄNGNING- FRAM TRANSMISSION		TORNADO 51S-51SE TORNADO PRO 51S WHEEL SUSPENSION- FR TRANSMISSION		Sida Page	
2003- 43		480H						56	
Pos. Fig.	Antal/Quantity			Art nr Part No	Benämning	Description	Sats Kit	Anmärkning Notes	
	4281 -61	4298 -21	4286 -41						
1	1	1	1	1111-2580-01	Framaxel .....	Front axle .....			
2	2	2	2	1111-2595-02	Bussning .....	Bushing .....			
3	2	2	2	9699-0115-02	Bricka .....	Washer .....			
5			2	1111-2108-01	Täckplåt .....	Cover plate .....			
6			4	9943-0610-16	Skruv .....	Screw .....			
7			2	1111-2083-01	Kuggjul .....	Gear wheel .....			
8	2	2	2	1111-3060-01	Fjäder .....	Spring .....			
9	6	6	4	9699-0100-02	Bricka .....	Washer .....			
10	6	6	4	9943-0612-16	Skruv .....	Screw .....			
11			8	9841-0410-16	Skruv .....	Screw .....			
15			2	1111-2109-01	Kuggkrans .....	Gear ring .....			
16			2	1111-2346-01	Hjul utan lager .....	Wheel w/o bearing .....			
17			4	9549-0001-00	Kullager .....	Ball bearing .....			
18			2	1111-2077-01	Navkapsel .....	Hub cap .....			
20	2	2		1111-3085-01	Navkapsel- gul .....	Hub cap- yellow .....			
22	2	2		1111-2665-01	Hjul kpl .....	Wheel assy .....			
23	2	2		1111-3296-01	• Kullager .....	• Ball bearing .....			
25	2	2		1111-2600-02	Kuggjul .....	Gear wheel .....			
26	2	2		1111-3395-01	Täckplåt .....	Cover plate .....			
28	2	2	2	9836-9512-12	Skruv .....	Screw .....			
29	2	2	2	1111-2922-01	Frontstöd .....	Front support .....			
30	1	1	1	1111-2568-01	Transm.kåpa- gul .....	Transm.cover- yellow .....			
31	2	2	2	9849-8013-16	Skruv .....	Screw .....			
35	1	1	1	1111-3056-01	Transmission kpl .....	Transmission assy .....			
35A	1	1	1	1111-3446-01	• Fjäder .....	• Spring .....		Ej ill/not ill.	
36	1	1	1	1111-3047-01	• Remskiva .....	• Belt pulley .....		För d:o	
36	1	1	1	9594-0055-00	• Spännstift .....	• Locating pin .....		Ej ill/not ill.	
38	2	2	2	1111-2382-01	Cyl.pinne .....	Pin .....			
40	1	1	1	1111-9063-01	Drivrem .....	V-belt .....			
43	1	1	1	1111-3060-01	Fjäder .....	Spring .....			
45	1	1	1	1111-2915-01	Motorremskiva .....	Engine belt pulley .....			
46	1	1	1	9910-0612-16	Stoppskruv .....	Set screw .....			
49	1	1	1	9403-0115-70	Täcklock .....	Cover plug .....			
50		1		9403-0116-70	Gummigenomföring .....	Grommet .....			
51	1	2	1	9579-0008-00	Buntband .....	Cable holder .....			
52		2		9747-0531-02	Mutter .....	Nut .....			
53		2		9693-0004-02	Bricka .....	Washer .....			
54		1		1111-3558-02	Batteri .....	Battery .....			
55		1		1111-2669-01	Batteribygge .....	Battery clamp .....			
56		1		9400-0219-00	Batteriladdare .....	Charger .....			
57		1		1111-2018-01	Kabelhållare .....	Cable holder .....			
58		1		9836-9216-12	Skruv .....	Screw .....			
59	1	1	1	1111-2954-01	Manöverbygge .....	Control handle .....			
60	1	1	1	1111-2967-04	Kopplingswire .....	Clutch cable .....			
61	1	1	1	1111-2969-01	Wirefäste .....	Cable attachment .....			
62	1	1	1	9948-0640-16	Skruv .....	Screw .....			
63	1	1	1	9747-0631-02	Låsmutter .....	Lock nut .....			
65		2		9838-9540-12	Skruv .....	Screw .....			
66		1		1111-2020-01	Hus .....	Housing .....			
67		1		1111-2021-01	Lock .....	Cover .....			
68		1		9838-9216-12	Skruv .....	Screw .....			
69		1		1111-3359-01	Kabelhärva .....	Harness .....			
70		1		9400-0186-00	Tändningslås kpl .....	Starting switch assy .....			
71		1		1134-2848-01	• Tändningsnyckel .....	• Ignition key .....			

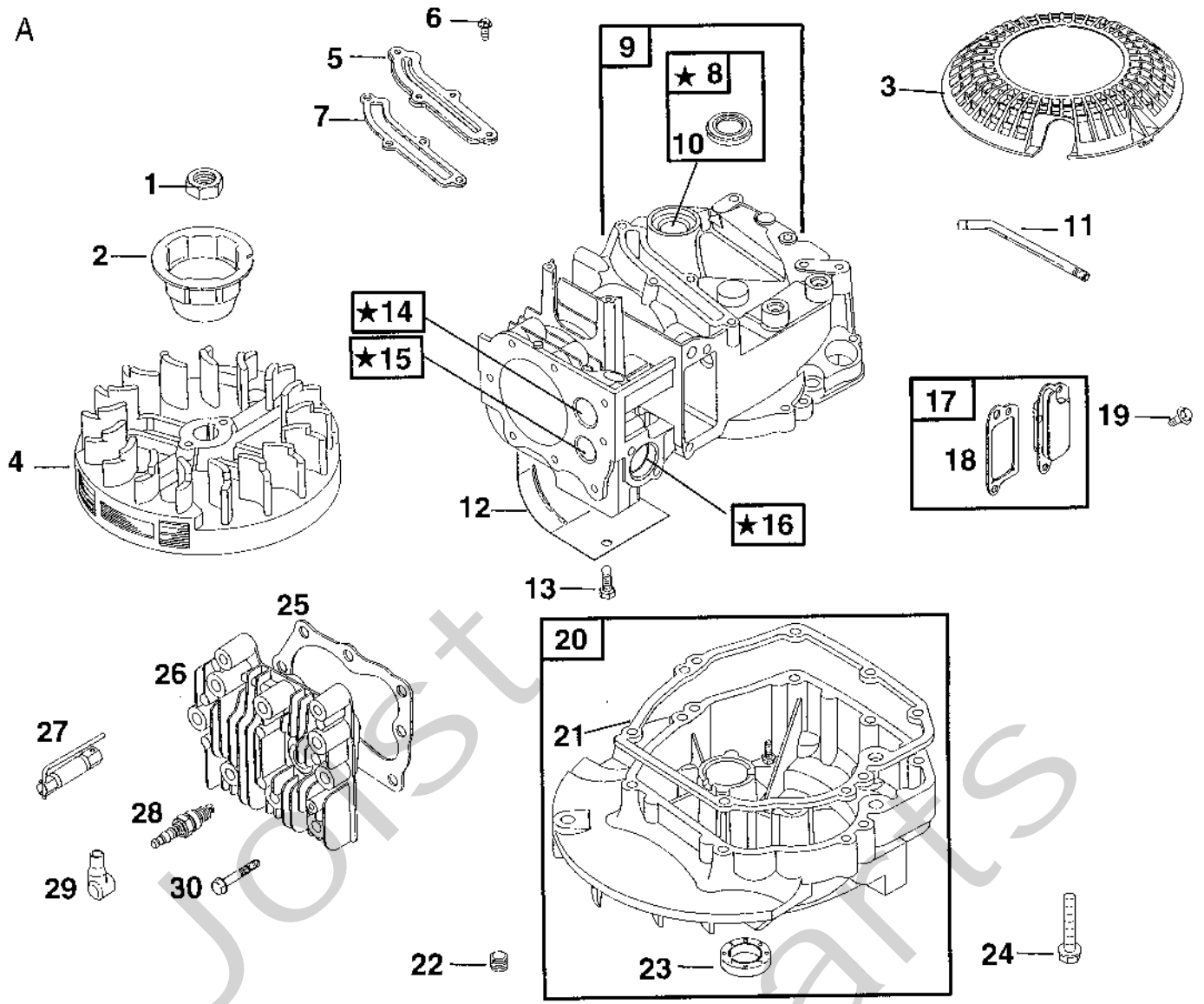
X



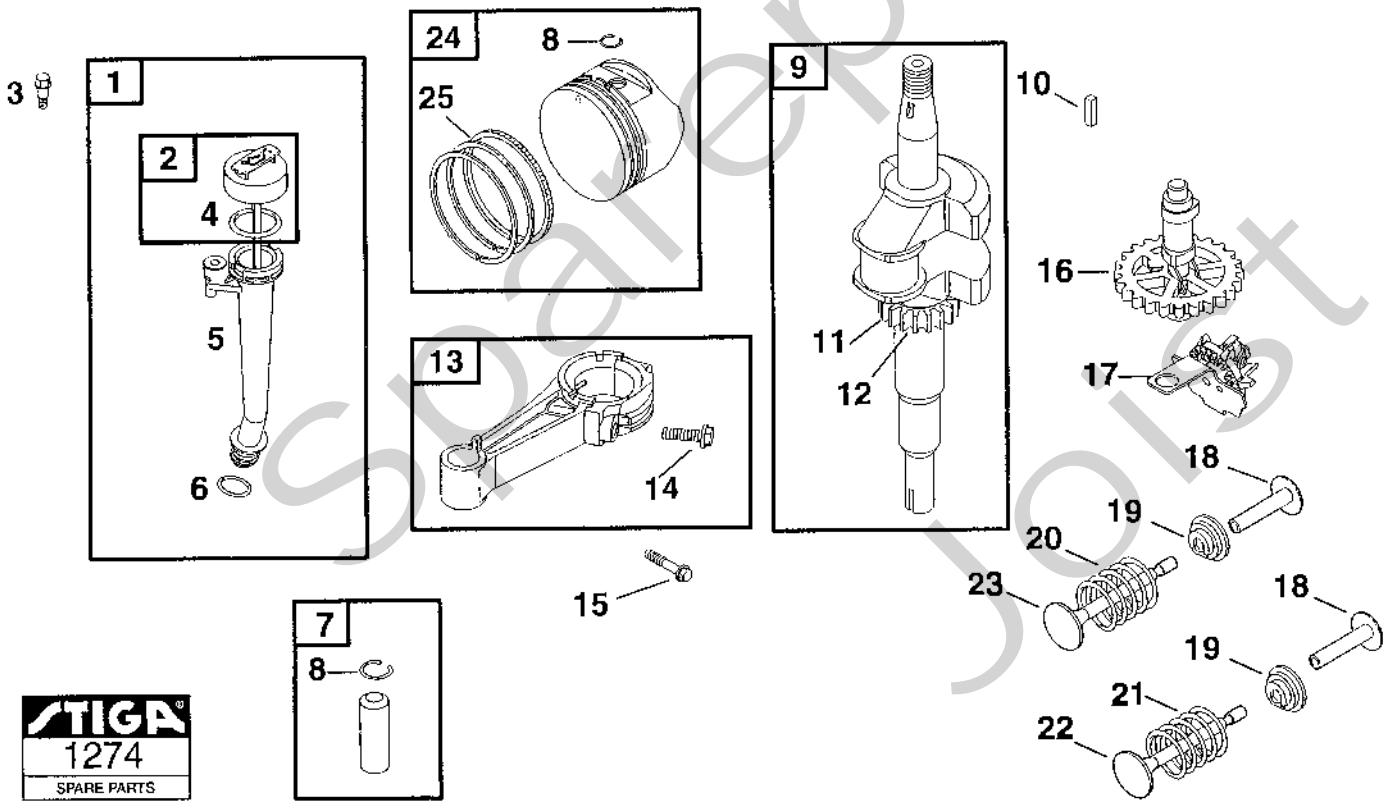


Utgåva Issue 2003-43		Bildnr Picture No 604		UPPSAMLARE TORNADO ART.NR 11-2912-11		GRASS COLLECTOR TORNADO ART.NO 11-2912-11		Sida Page 322	
Pos. Fig.	Antal/Quantity			Art nr Part No	Benämning	Description	Sats Kit	Anmärkning Notes	
	2912								
1	1			1119-0071-01	Beslag.....	Attachment fitting .....			
2	1			1119-0072-01	Rörbåge.....	Tubular frame .....			
3	4			9865-0525-16	Skruv .....	Screw .....			
4	4			9747-0531-02	Mutter.....	Nut .....			
5	1			1119-0074-01	Stag.....	Rod .....			
6	2			9672-0002-02	Starlock .....	Lock washer .....			
7	1			1119-0073-01	Uppsamlingsäck .....	Collecting bag .....			

A



B

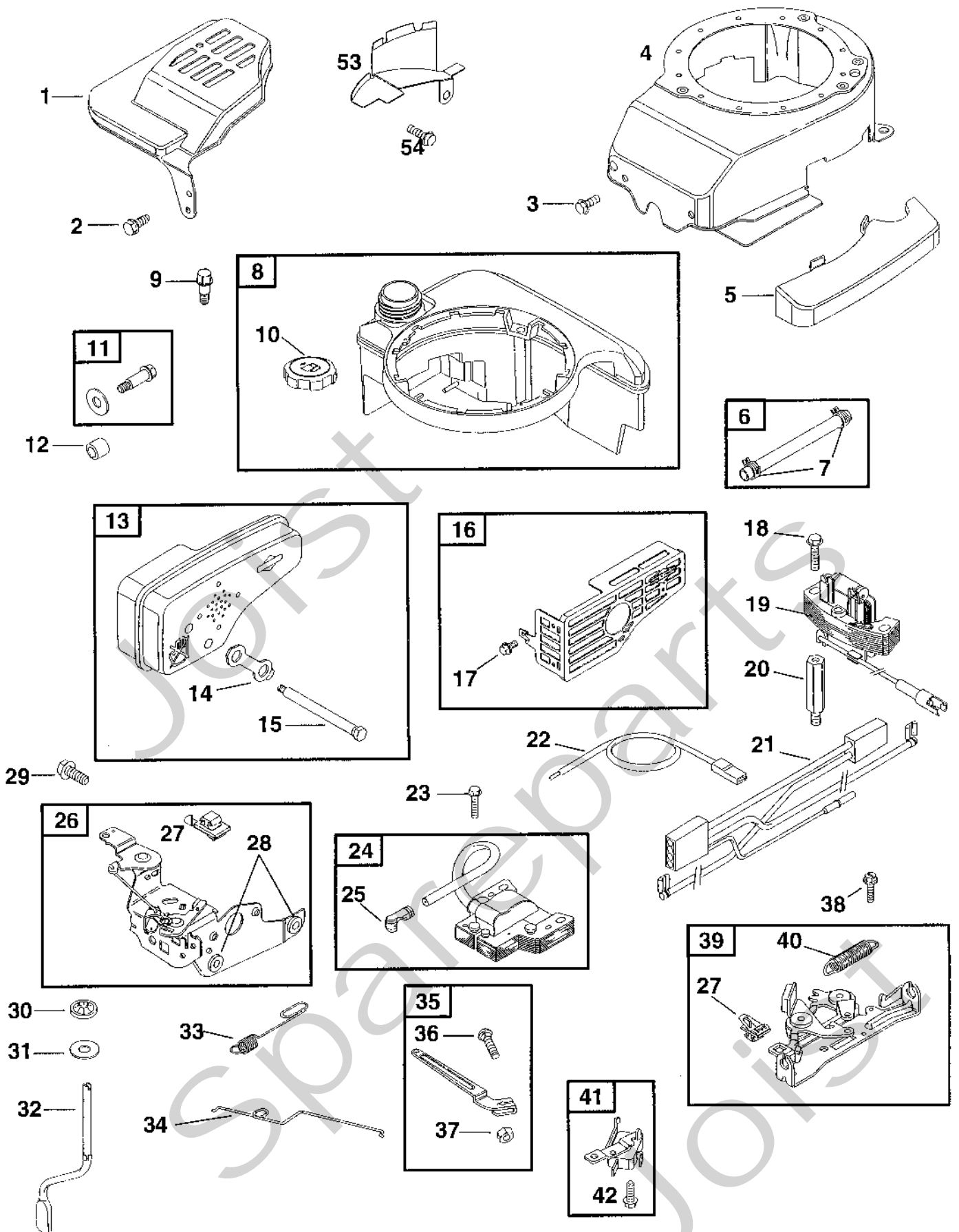


**STIGA**  
1274  
SPARE PARTS

Utgåva Issue		Bildnr Picture No		BRIGGS & STRATTON 12H802, 12H807 CYLINDER VEVAXEL		BRIGGS & STRATTON 12H802, 12H807 CYLINDER CRANKSHAFT		Sida Page	
2003-43		1274						352	
Pos. Fig.	Antal/Quantity			Art nr Part No	Benämning	Description	Sats Kit	Anmärkning Notes	
	12H 802- 1935	12H 807- 1936	12H 802- 1966						
A01	1	1	1	690662	Mutter.....	Flywheel nut.....			
A02	1	1	1	695161	Svånghjuls kopp.....	Flywheel cup.....			
A03	1	1	1	691919	Skydd.....	Rewind guard.....			
A04		1		691987	Svånghjul.....	Flywheel.....			
A04	1		1	692315	Svånghjul.....	Flywheel.....			
A05	1	1	1	692342	Lock.....	Cover.....			
A06	4	4	4	690345	Skruv.....	Screw.....			
A07	1	1	1	691879	Packning.....	Gasket.....			
A08	1	1	1	399269	• Bussning.....	• Bushing.....			
A09	1	1	1	697322	Cylinder kpl.....	Cylinder assy.....			
A10	1	1	1	299819	Tätningring.....	Oil seal.....			
A11			1	499675	Ventilationsrör.....	Breather tube.....			
A11	1	1		691781	Ventilationsrör.....	Breather tube.....			
A12	1	1	1	690450	Cylinderskydd.....	Cylinder shield.....			
A13	1	1	1	690345	Skruv.....	Screw.....			
A14	1	1	1	691155	• Ventilsåte- insug.....	• Valve seat- intake.....			
A15	1	1	1	690380	• Ventilsåte- utblås.....	• Valve seat- exhaust.....			
A16	1	1	1	262001	• Ventilstyrning- utblås.....	• Valve guide- exhaust.....			
A16	1	1	1	63709	• Ventilstyrning- insug.....	• Guide- intake valve.....			
A17	1	1	1	695250	Vevhusventilation.....	Breather.....			
A18	1	1	1	696125	• Packning.....	• Gasket.....			
A19	2	2	2	691125	Skruv.....	Screw.....			
A20	1	1	1	493279	Vevhus.....	Engine sump.....			
A21	1	1	1	692232	• Packning.....	• Gasket.....			
A22	1	1	1	691680	Oljeavtappningsplugg.....	Oil drain plug.....			
A23	1	1	1	399781	• Tätningring.....	• Oil seal.....			
A24	7	7	7	691092	Skruv.....	Screw.....			
A25	1	1	1	692249	Packning.....	Gasket.....			
A26	1	1	1	691160	Topplöck.....	Cylinder head.....			
A27	1	1	1	1111-9029-01	Tändstiftsnyckel.....	Spark plug wrench.....			
A28	1	1	1	9400-0225-00	Tändstift.....	Spark plug.....		Champion J19LM	
A29	1	1	1	66538	Tändstiftsskydd.....	Spark plug elbow.....			
A30	8	8	8	690912	Skruv.....	Screw.....			
B01	1	1	1	692017	Oljesticka kpl.....	Oil dipstick assy.....			
B02	1	1	1	495264	• Oljesticka.....	• Oil dipstick.....			
B03	1	1	1	690940	Skruv.....	Screw.....			
B04	1	1	1	691031	• O-ring.....	• O-ring.....			
B05	1	1	1	495265	• Oljepåfyllningsrör.....	• Oil filler tube.....			
B06	1	1	1	692296	• Tätningring.....	• Tube seal.....			
B07	1	1	1	499423	Kolvbult.....	Piston pin.....			
B08	2	2	2	691866	• Låsring.....	• Lock ring.....			
B09	1	1	1	691452	Vevaxel.....	Crankshaft.....			
B10	1	1	1	222698	Kil.....	Key.....			
B11	1	1	1	691830	• Drev.....	• Timing gear.....			
B12	1	1	1	690979	• Kil.....	• Timing key.....			
B13	1	1	1	499424	Vevstake.....	Connecting rod.....			
B14	1	1	1	691664	• Skruv.....	• Screw.....			
B15	1	1	1	695759	Skruv.....	Screw.....			
B16	1	1	1	691449	Kamaxel.....	Camshaft.....			
B17	1	1	1	691997	Oljeslungare.....	Oil slinger.....			
B18	2	2	2	690548	Ventilyftare.....	Valve tappet.....			
B19	2	2	2	692194	Ventilhållare.....	Valve retainer.....			
B20	1	1	1	691270	Ventilfjäder.....	Valve spring.....			
B21	1	1	1	691270	Ventilfjäder.....	Valve spring.....			
B22	1	1	1	262651	Utblåsningsventil.....	Exhaust valve.....			
B23	1	1	1	262652	Insugningsventil.....	Intake valve.....			
B24	1	1	1	499429	Kolv kpl.....	Piston assy.....		Standard	
B24	1	1	1	499430	Kolv kpl.....	Piston assy.....		.010" oversize	
B24	1	1	1	499431	Kolv kpl.....	Piston assy.....		.020" oversize	
B24	1	1	1	499432	Kolv kpl.....	Piston assy.....		.030" oversize	
B25	1	1	1	499425	• Kolvringsatts.....	• Ring set.....		Standard	
B25	1	1	1	499426	• Kolvringsatts.....	• Ring set.....		.010" oversize	
B25	1	1	1	499427	• Kolvringsatts.....	• Ring set.....		.020" oversize	

X

A

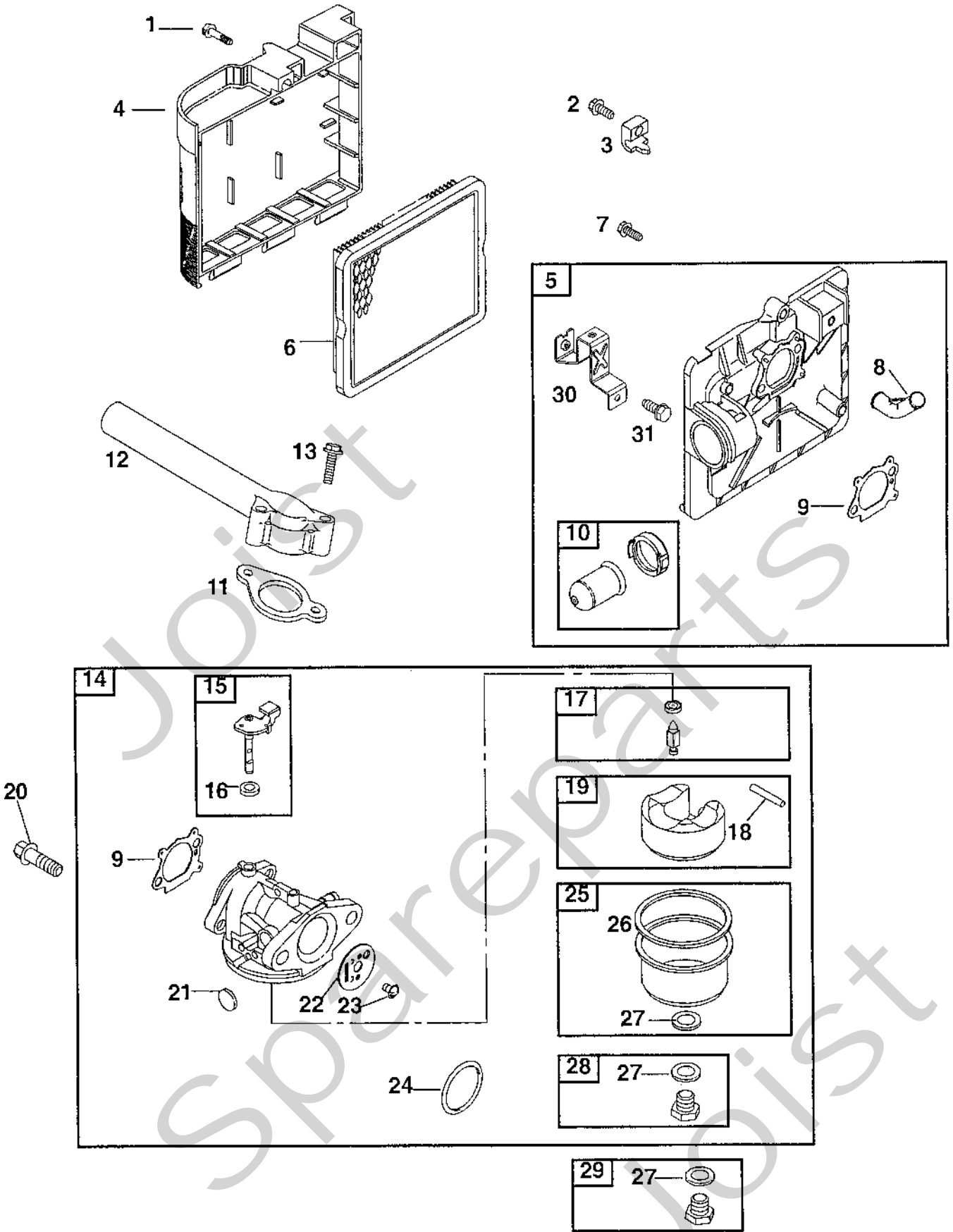


Utgåva Issue		Bildnr Picture No		BRIGGS & STRATTON 12H802, 12H807 BRÄNSLETANK REGULATOR		BRIGGS & STRATTON 12H802, 12H807 FUEL TANK GOVERNOR		Sida Page	
2003-43		1275						354	
Pos. Fig.	Antal/Quantity			Art nr Part No	Benämning	Description	Sats Kit	Anmärkning Notes	
	12H 802- 1935	12H 807- 1936	12H 802- 1966						
A01	1	1	1	691757	Lock.....	Control cover .....			
A02	1	1	1	690664	Skruv .....	Screw .....			
A03	4	4	4	691108	Skruv .....	Screw .....			
A04	1	1	1	493293	Fläkthus .....	Blower housing .....			
A05	1	1	1	690595	Lock.....	Brake cover .....			
A06	1		1	691050	Bränsleslang .....	Fuel line.....			
A06		1		691371	Bränsleslang .....	Fuel line.....			
A07	2	2	2	95162	Slangklämma.....	Hose clamp .....			
A08	1	1	1	495224	Bränsletank.....	Fuel tank .....			
A09	2	2	2	690940	Skruv .....	Screw .....			
A10	1	1	1	397974	• Tanklock .....	• Fuel cap.....			
A11	1	1	1	692311	Skruv/bricka .....	Screw/washer .....			
A12	1	1	1	692294	Distans .....	Spacer .....			
A13	1	1	1	692038	Ljuddämpare .....	Muffler .....			
A14	1	1	1	691740	• Låsbleck .....	• Screw lock .....			
A15	2	2	2	691340	• Skruv .....	• Screw .....			
A16	1	1	1	499034	Skydd .....	Guard .....			
A17	2	2	2	690664	• Skruv .....	• Screw .....			
A18		2		691648	Skruv .....	Screw .....			
A19		1		691991	Generator.....	Alternator .....			
A20		2		691094	Pinnbult .....	Stud .....			
A21		1		696547	Kablage.....	Wiring harness .....			
A22	1	1	1	692390	Stoppkabel.....	Stop wire .....			
A23	2	2	2	691061	Skruv .....	Screw .....			
A24	1	1	1	802574	Tändsystem .....	Magneto armature .....			
A25	1	1	1	493880	• Anslutningshylsa .....	• Terminal .....			
A26	1	1	1	692031	Reglageplåt.....	Control bracket .....			
A27	2	2	2	692310	• Stoppkontakt .....	• Stop switch .....			
A28	1	1	1	493823	• Distans .....	• Spacer .....			
A29	2	2	2	690877	Skruv .....	Screw .....			
A30	1	1	1	690340	Hållare .....	Retainer .....			
A31	1	1	1	690272	Bricka .....	Washer .....			
A32	1	1	1	691308	Regulatoraxel.....	Governor crank .....			
A32			1	698801	Regulatoraxel.....	Governor crank .....			
A33	1	1	1	691292	Regulatorfjäder.....	Governor spring .....			
A34	1	1	1	691829	Regulatorlänk .....	Governor link .....			
A35	1	1	1	690783	Regulatorarm.....	Govern. control lever .....			
A36	1	1	1	92613	• Skruv .....	• Screw .....			
A37	1	1		231082	• Mutter.....	• Nut .....			
A37			1	691251	• Mutter.....	• Nut .....			
A38	2	2	2	691648	Skruv .....	Screw .....			
A39	1	1	1	691994	Broms.....	Brake .....			
A40	1	1	1	691831	• Bromsfjäder.....	• Brake spring .....			
A41		1		499421	Brytare .....	Switch .....			
A42		1		691627	• Skruv .....	• Screw .....			
A53	1	1	1	694086	Svänhjulsskydd .....	Flywheel guard .....			
A54	1	1	1	691108	Skruv .....	Screw .....			

2 st/includes 2

X

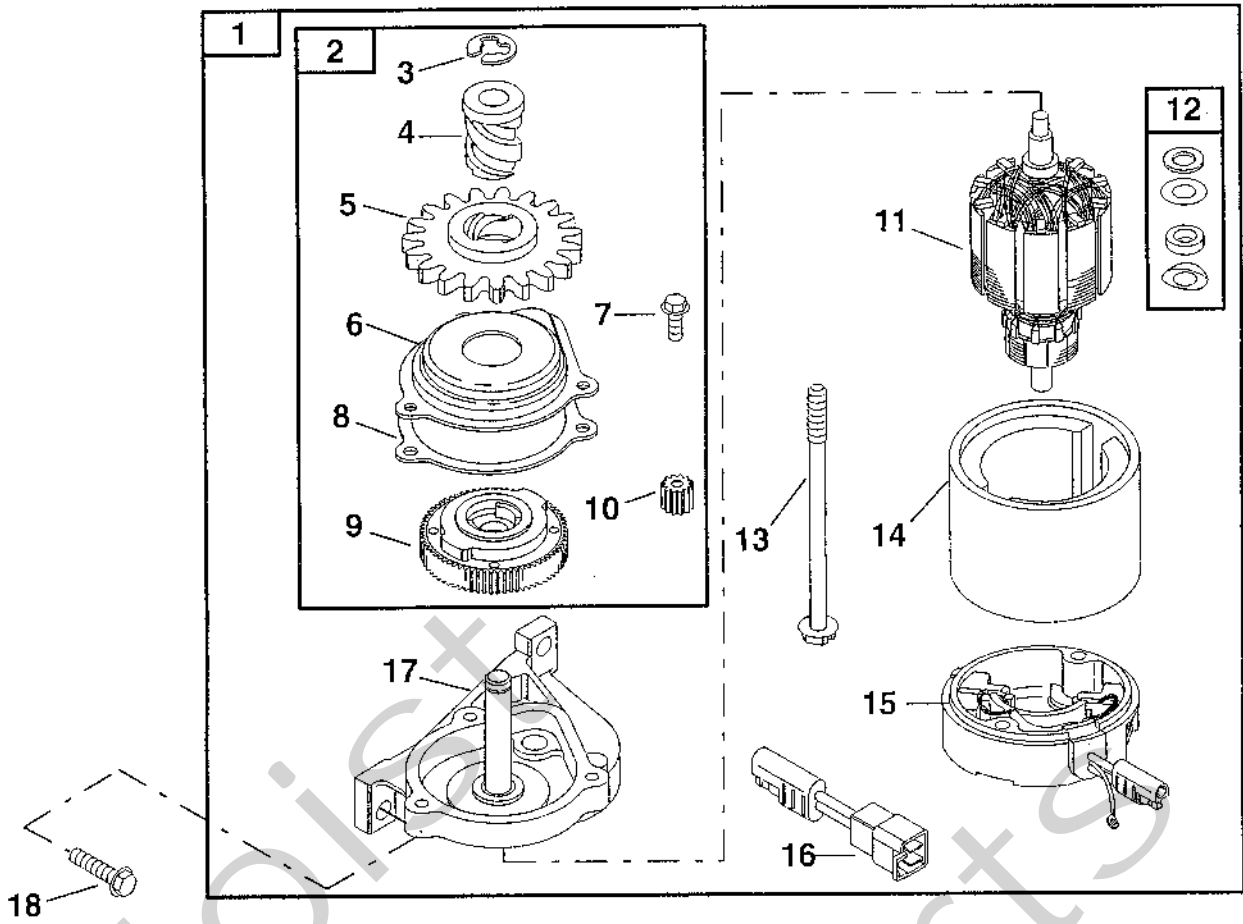
A



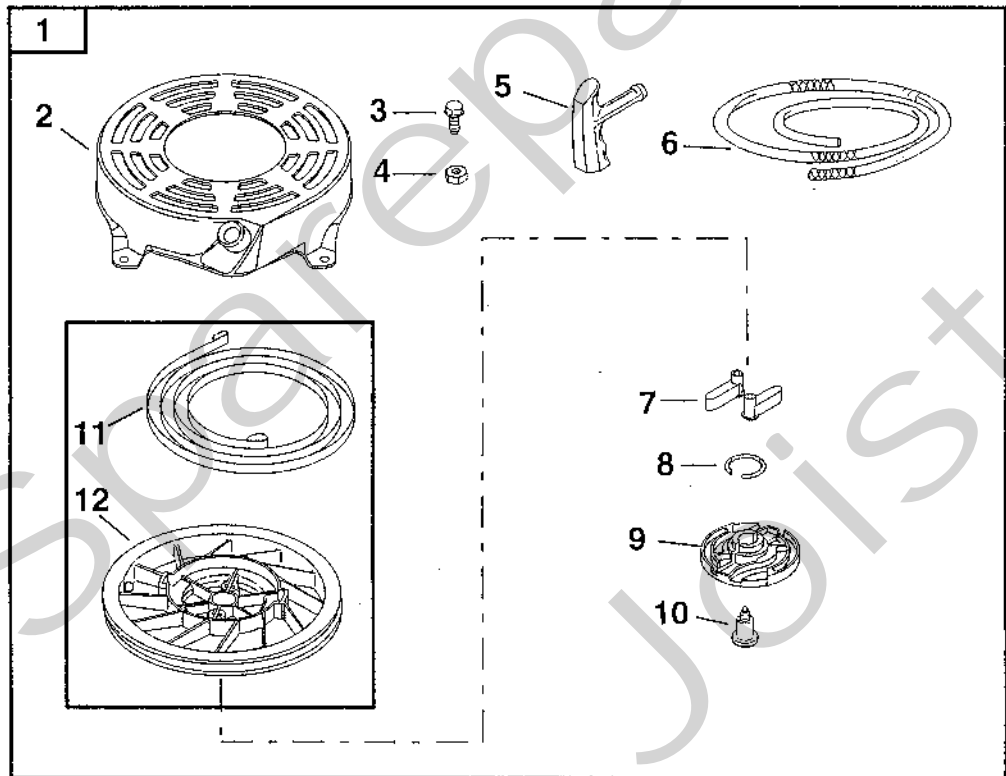
Utgåva Issue		Bildnr Picture No		BRIGGS & STRATTON 12H802, 12H807 LUFTFILTER FÖRGASARE		BRIGGS & STRATTON 12H802, 12H807 AIR CLEANER CARBURETTOR		Sida Page	
2003- 43		1276A						356	
Pos. Fig.	Antal/Quantity			Art nr Part No	Benämning	Description	Sats Kit	Anmärkning Notes	
	12H 802- 1935	12H 807- 1936	12H 802- 1966						
A01	1	1	1	690670	Skruv .....	Screw .....			
A02	1	1	1	691044	Skruv .....	Screw .....			
A03	1	1	1	690798	Wireklämma .....	Casing clamp .....			
A04	1	1	1	692298	Luftrenarlock .....	Air cleaner cover .....			
A05	1	1	1	496116	Luftrenarfäste .....	Air cleaner base .....			
A06	1	1	1	491588	Pappersfilter .....	Air filter .....			
A07	2	2	2	692523	Skruv .....	Screw .....			
A08	1	1	1	691923	• Hylsa .....	• Grommet .....			
A09	1	1	1	272653	• Packning .....	• Gasket .....			
A10	1	1	1	694395	• Primer .....	• Primer .....			
A11	1	1	1	272199	Packning .....	Gasket .....			
A12	1	1	1	497465	Insugningsrör .....	Intake pipe .....			
A13	2	2	2	691650	Skruv .....	Screw .....			
A14	1	1	1	498170	Förgasare kpl .....	Carburettor assy .....			
A15	1	1	1	696565	• Spjällaxel .....	• Throttle shaft .....			
A16	1	1	1	691321	• • Dammtätning .....	• • Dust seal .....			
A17	1	1	1	398188	• Bränslenål .....	• Inlet valve .....			
A18	1	1	1	691242	• • Flottöraxel .....	• • Float hinge pin .....			
A19	1	1	1	398187	• Flottör .....	• Float .....			
A20	2	2	2	692524	Skruv .....	Screw .....			
A21	1	1	1	694468	• Expansionsbricka .....	• Welch plug .....			
A22	1	1	1	696564	• Gasspjäll .....	• Throttle valve .....			
A23	1	1	1	691636	• Skruv .....	• Screw .....			
A24	1	1	1	270344	• Tätning .....	• Seal .....			
A25	1	1	1	493640	• Flottörhus .....	• Bowl .....			
A26	1	1	1	693981	• • Packning .....	• • Gasket .....			
A27	1	1	1	271716	• Tätningsbricka .....	• Sealing washer .....			
A28	1	1	1	498978	• Huvudmunstycke .....	• Main jet .....			
A29	1	1	1	497466	Huvudmunstycke .....	Main jet .....			
A30	1	1	1	691753	• Fäste .....	• Bracket .....			
A31	1	1	1	691669	• Skruv .....	• Screw .....			

Standard  
High altitude

A

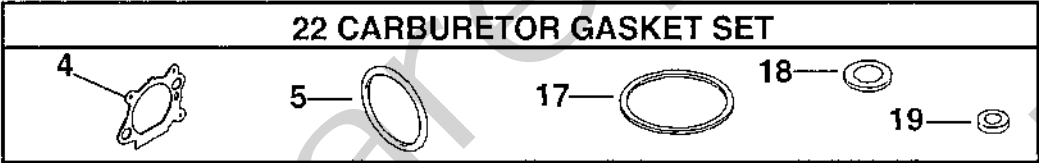
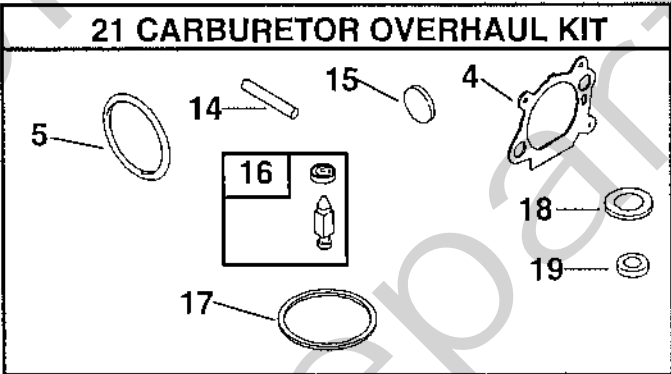
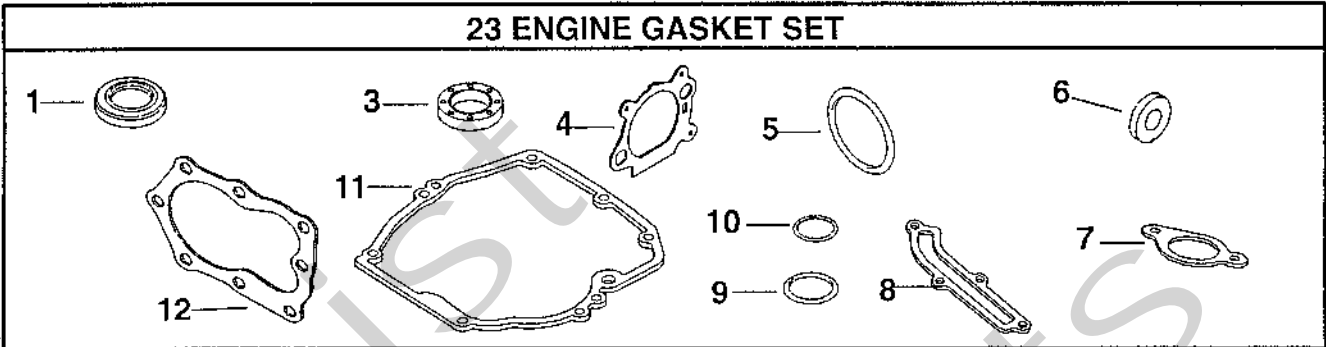


B





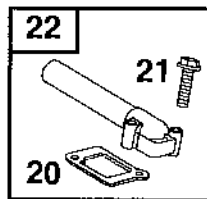
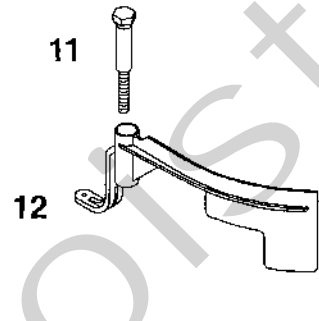
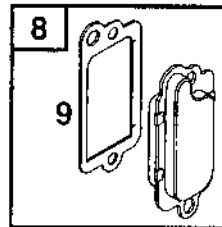
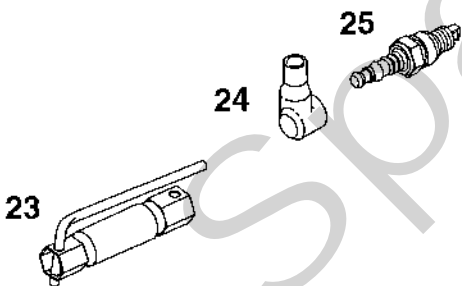
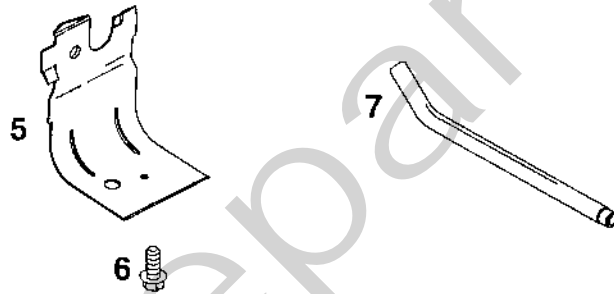
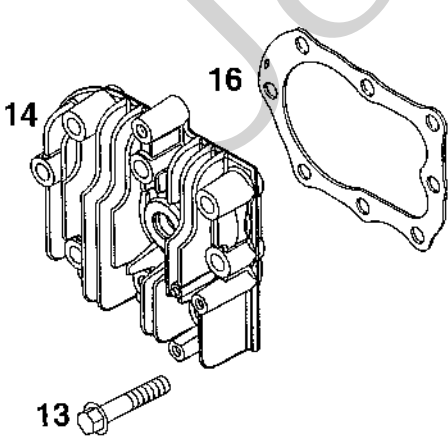
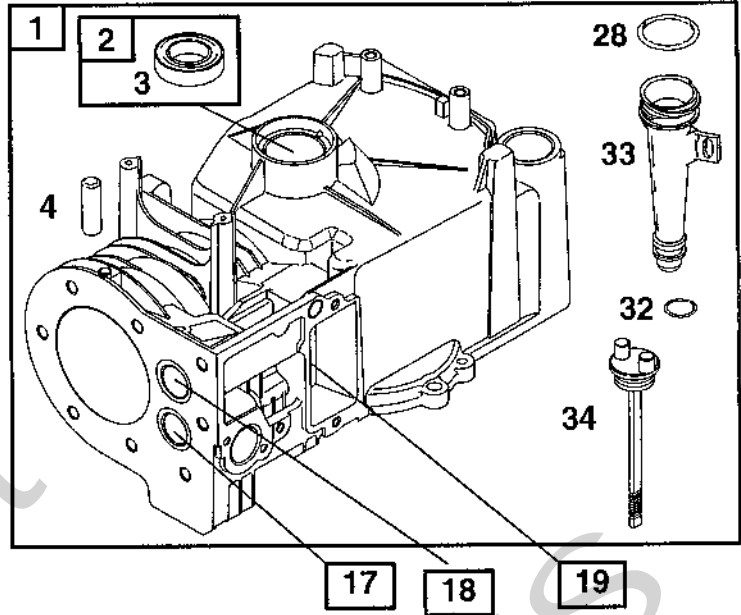
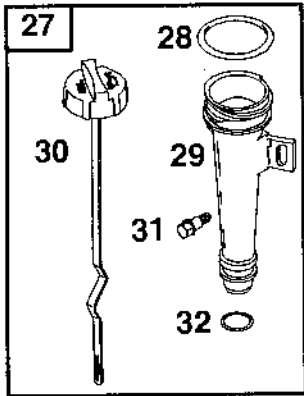
Utgåva Issue		Bildnr Picture No		BRIGGS & STRATTON 12H802, 12H807 STARTMOTOR SNÖRSTART		BRIGGS & STRATTON 12H802, 12H807 STARTER MOTOR REWIND STARTER		Sida Page	
2003-43		1277						358	
Pos. Fig.	Antal/Quantity			Art nr Part No	Benämning	Description	Sats Kit	Anmärkning Notes	
	12H 802- 1935	12H 807- 1936	12H 802- 1966						
A01		1		695550	Startmotor kpl .....	Starter motor assy .....			
A02		1		494147	• Drev kpl .....	• Drive kit .....			
A03		1		93941	•• Låsring .....	•• Retainer .....			
A04		1		691325	•• Snäckdrev .....	•• Starter spline .....			
A05		1		691918	•• Drev .....	•• Pinion gear .....			
A06		1		692341	•• Lock .....	•• Cover .....			
A07		3		690345	•• Skruv .....	•• Screw .....			
A08		1		692352	•• Packning .....	•• Gasket .....			
A09		1		692358	•• Koppling .....	•• Drive clutch .....			
A10		1		691269	•• Drev .....	•• Pinion gear .....			
A11		1		690786	• Rotor .....	• Starter armature .....			
A12		1		492919	• Brickor .....	• Washer set .....			
A13		2		692327	• Bult .....	• Bolt .....			
A14		1		695266	• Starthus .....	• Starter housing .....			
A15		1		695267	• Bottenkåpa .....	• End cap .....			
A16		1		695268	• Kabeladapter .....	• Wire adapter .....			
A17		1		690782	• Lock .....	• Drive cap .....			
A18		2		691127	Skruv .....	Screw .....			
B01	1	1	1	497680	Start kpl .....	Starter assy .....			
B02	1	1	1	691421	• Starthus .....	• Starter housing .....			
B03	4	4	4	690837	• Skruv .....	• Screw .....			
B04	4	4	4	690800	• Mutter .....	• Nut .....			
B05	1	1	1	281434	• Starthandtag .....	• Handle .....			
B06	1	1	1	692259	• Startsnöre .....	• Starter rope .....			
B07	2	2	2	281505	• Startklo .....	• Starter pawl .....			
B08	1	1	1	691855	• Friktionsfjäder .....	• Friction spring .....			
B09	1	1	1	692299	• Spärrplatta .....	• Pawl friction plate .....			
B10	1	1	1	691696	• Skruv .....	• Screw .....			
B11	1	1	1	498144	• Linhjul m.fjäder .....	• Pulley/spring .....			
B12	1	1	1	498144	• Linhjul m.fjäder .....	• Pulley/spring .....			



Utgåva Issue 2003-43		Bildnr Picture No 1278A		BRIGGS & STRATTON 12H802, 12H807 PACKNINGSSATS		BRIGGS & STRATTON 12H802, 12HB07 GASKET SET		Sida Page 360	
Pos. Fig.	Antal/Quantity			Art nr Part No	Benämning	Description	Sats Kit	Anmärkning Notes	
	12H 802- 1935	12H 807- 1936	12H 802- 1966						
A01	1	1	1	299819	• Tätningsring .....	• Oil seal .....			
A03	1	1	1	399781	• Tätningsring .....	• Oil seal .....			
A04	1	1	1	272653	• Packning .....	• Gasket .....			
A05	1	1	1	270344	• Tätning .....	• Seal .....			
A06	1	1	1	493823	• Distans .....	• Spacer .....			
A07	1	1	1	272199	• Packning .....	• Gasket .....			
A08	1	1	1	691879	• Packning .....	• Gasket .....			
A09	1	1	1	691031	• O- ring .....	• O- ring .....			
A10	1	1	1	692296	• Tätningsring .....	• Tube seal .....			
A11	1	1	1	692232	• Packning .....	• Gasket .....			
A12	1	1	1	692249	• Packning .....	• Gasket .....			
A14	1	1	1	691242	• Flottöraxel .....	• Float hinge pin .....			
A15	1	1	1	694468	• Expansionsbricka .....	• Welch plug .....			
A16	1	1	1	398188	• Bränslenål .....	• Inlet valve .....			
A17	1	1	1	693981	• Packning .....	• Gasket .....			
A18	1	1	1	271716	• Tätningsbricka .....	• Sealing washer .....			
A19	1	1	1	691321	• Dammtätning .....	• Dust seal .....			
A21	1	1	1	498260	Rep.sats förgasare .....	Carb. overhaul kit .....			
A22	1	1	1	498261	Packn.sats- förg .....	Gasket set- carb. .....			
A23	1	1	1	497316	Packn.sats- motor .....	Gasket set- engine .....			

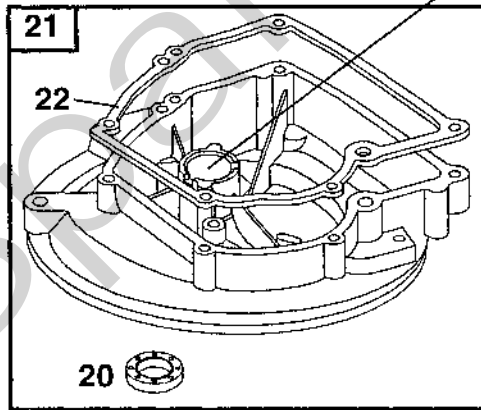
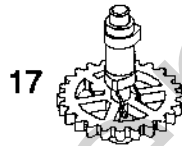
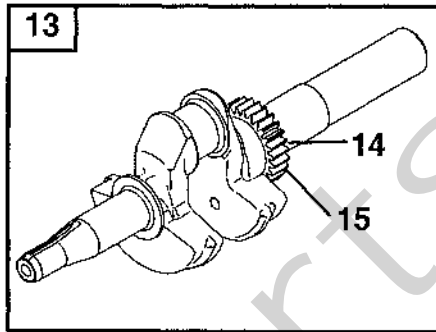
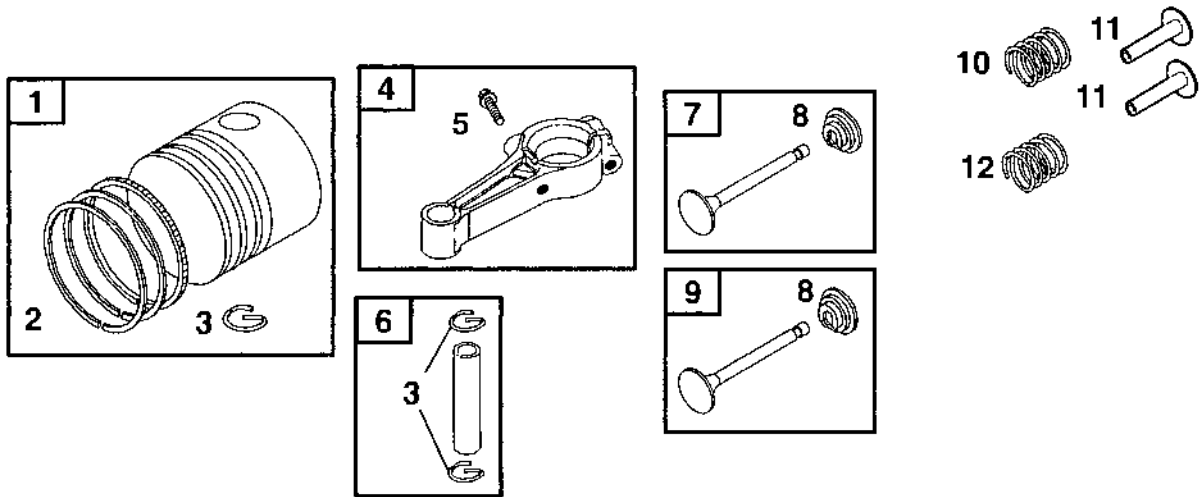
A

15 



Utgåva Issue 2003-43		Bildnr Picture No 1476		BRIGGS & STRATTON 10D902 CYLINDER		BRIGGS & STRATTON 10D902 CYLINDER		Sida Page 344	
Pos. Fig.	Antal/Quantity			Art nr Part No	Benämning	Description	Sats Kit	Anmärkning Notes	
	10D 902- 0129	10D 902- 0141	10D 902- 0142						
A01	1	1	1	399164	Cylinder kpl.....	Cylinder assy.....			
A02	1	1	1	399269	• Bussning.....	• Bushing.....			
A03	1	1	1	299819	• Tätningring.....	• Oil seal.....	S		
A04	2	2	2	690959	• Tapp.....	• Locating pin.....			
A05	1	1	1	690400	Skyddsplåt.....	Cylinder shield.....			
A06	1	1	1	690345	Skruv.....	Screw.....			
A07	1	1	1	691245	Rör.....	Breather tube.....			
A08	1	1	1	495785	Vevhusventilation.....	Breather.....			
A09	1	1	1	272602	• Packning.....	• Gasket.....	S		
A09	1	1	1	695890	• Packning.....	• Gasket.....	S		
A10	2	2	2	691666	Skruv.....	Screw.....			
A11	1	1	1	691107	Skruv.....	Screw.....			
A12	1	1	1	691912	Regulatorvinge.....	Governor blade.....			
A13	8	8	8	691697	Skruv.....	Screw.....			
A14	1	1	1	690386	Topplöck.....	Cylinder head.....			
A15	1	1	1	692889	Distans.....	Spacer.....			
A16	1	1	1	692288	Topplöckspackning.....	Cylinder head gasket.....	S		
A17	1	1	1	691702	• Ventilsåte- utblås.....	• Valve seat- exhaust.....			
A18	1	1	1	691701	• Ventilsåte- insug.....	• Valve seat- intake.....			
A19	1	1	1	231348	• Ventilstyrning- utblås.....	• Guide bushing- exhaust.....			
A19	1	1	1	63709	• Ventilstyrning- insug.....	• Guide- intake valve.....			
A20	1	1	1	270345	• Packning.....	• Gasket.....	S		
A21	2	2	2	691111	• Skruv.....	• Screw.....			
A22	1	1	1	693446	Insugningsrör.....	Intake manifold.....			
A23	1	1	1	1111-9029-01	Tändstiftsnyckel.....	Spark plug wrench.....			
A24	1	1	1	66538	Tändstiftsskydd.....	Spark plug elbow.....			
A25	1	1	1	9400-0225-00	Tändstift.....	Spark plug.....		Champion J19LM	
A27	1	1	1	691440	Oljesticka kpl.....	Dipstick assy.....			
A28	1	1	1	691870	• Tätningring.....	• Seal.....			
A29	1	1	1	691320	• Påfyllningsrör.....	• Dipstick tube.....			
A30	1	1	1	692040	• Oljesticka.....	• Dipstick.....			
A31	1	1	1	691002	• Skruv.....	• Screw.....			
A32	1	1	1	691876	• Tätningring.....	• Dipstick tube seal.....	S		
A33	1	1	1	694531	• Påfyllningsrör.....	• Dipstick tube.....			
A34	1	1	1	691913	• Oljesticka.....	• Oil dipstick.....			

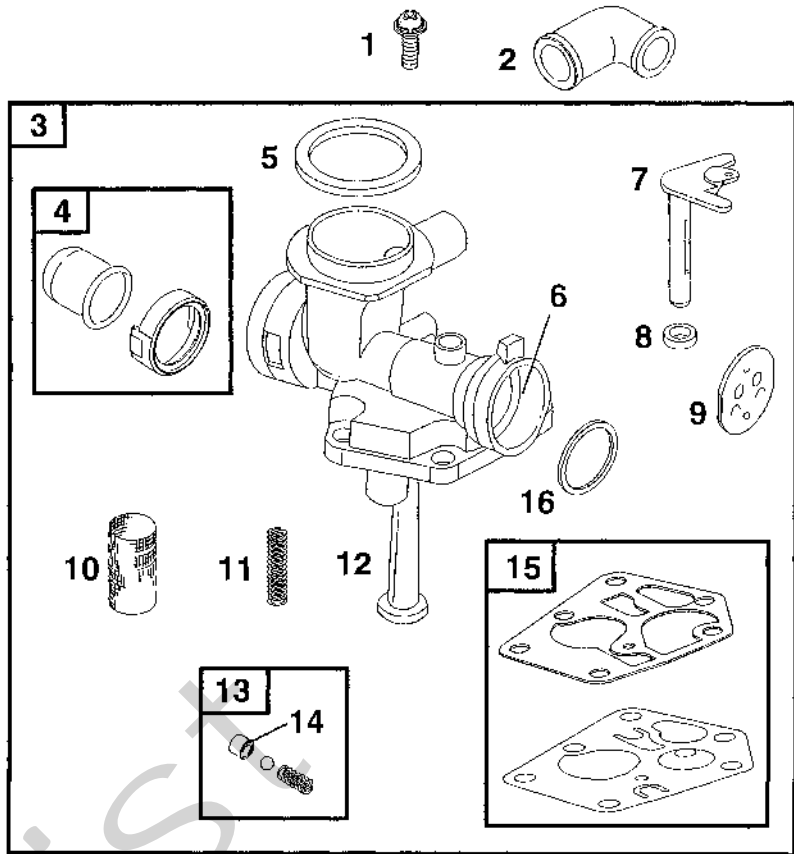
A



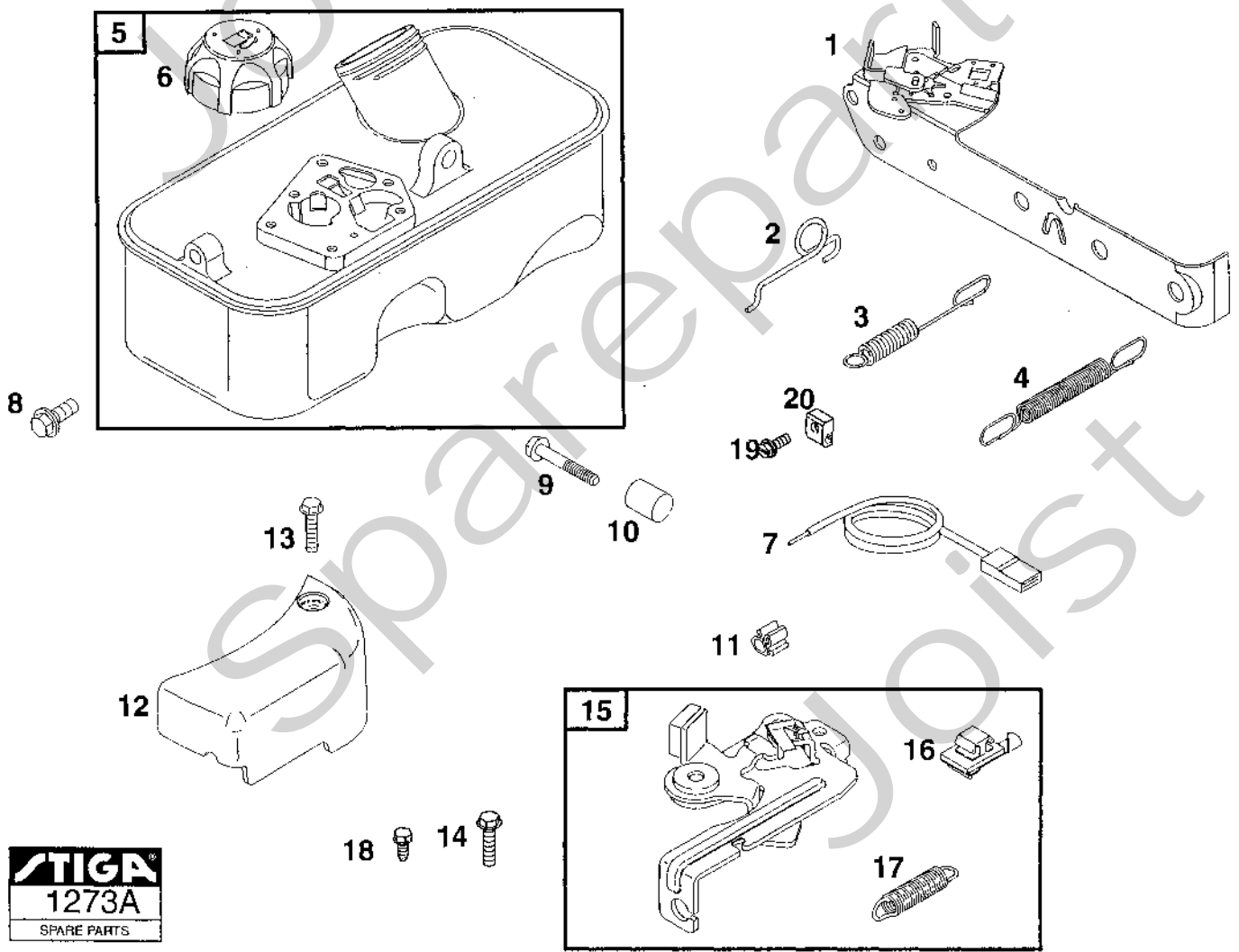
31 ENGINE GASKET SET

Utgåva Issue		Bildnr Picture No		BRIGGS & STRATTON 10D902 VEVAXEL VEVHUS		BRIGGS & STRATTON 10D902 CRANKSHAFT CRANKCASE		Sida Page	
2003-43		1477						346	
Pos. Fig.	Antal/Quantity			Art nr Part No	Benämning	Description	Sats Kit	Anmärkning Notes	
	10D 902- 0129	10D 902- 0141	10D 902- 0142						
A01	1	1	1	498668	Kolv kpl.....	Piston assy .....		Standard	
A01	1	1	1	498669	Kolv kpl.....	Piston assy .....		.010" oversize	
A01	1	1	1	498670	Kolv kpl.....	Piston assy .....		.020" oversize	
A01	1	1	1	498671	Kolv kpl.....	Piston assy .....		.030" oversize	
A02	1	1	1	498680	• Kolvringsatts.....	• Ring set.....		Standard	
A02	1	1	1	498681	• Kolvringsatts.....	• Ring set.....		.010" oversize	
A02	1	1	1	498682	• Kolvringsatts.....	• Ring set.....		.020" oversize	
A02	1	1	1	498683	• Kolvringsatts.....	• Ring set.....		.030" oversize	
A03	2	2	2	691588	• Låsring .....	• Piston pin lock .....			
A04	1	1	1	496792	Vevstake .....	Connecting rod .....			
A05	2	2	2	691664	• Skruv .....	• Screw .....			
A06	1	1	1	298908	Kolvbult kpl.....	Piston pin assy.....		.005" oversize	
A06	1	1	1	298909	Kolvbult kpl.....	Piston pin assy.....		Standard	
A07	1	1	1	296676	Utblåsningsventil .....	Exhaust valve .....			
A08	2	2	2	692194	• Ventilhållare .....	• Valve retainer .....			
A09	1	1	1	296677	Insugningsventil .....	Intake valve .....			
A10	1	1	1	690520	Ventilfjäder .....	Valve spring .....			
A11	2	2	2	691762	Ventiltrytare .....	Valve tappet .....			
A12	1	1	1	690520	Ventilfjäder .....	Valve spring .....			
A13	1	1	1	691471	Vevaxel .....	Crankshaft.....			
A14	1	1	1	499047	• Stift .....	• Pin.....			
A15	1	1	1	691805	• Drev .....	• Timing gear.....			
A16	1	1	1	222698	Kil .....	Key .....			
A17	1	1	1	691998	Kamaxel.....	Camshaft.....			
A18	1	1	1	691983	Oljeslångare.....	Oil slinger.....			
A19	1	1	1	293709	• Bussning.....	• Bushing.....			
A20	1	1	1	391483	• Tätningsring .....	• Oil seal .....	S		
A21	1	1	1	395384	Vevhus.....	Oil sump .....			
A22	1	1	1	270895	• Vevhuspackning .....	• Crankcase gasket .....	S	.005" thick	
A22	1	1	1	270896	• Vevhuspackning .....	• Crankcase gasket .....	S	.009" thick	
A22	1	1	1	692218	• Vevhuspackning .....	• Crankcase gasket .....	S	.015" thick (Standard)	
A23	1	1	1	691680	Oljeavtappningsplugg .....	Oil drain plug .....			
A24	6	6	6	691662	Skruv .....	Screw .....			
A31	1	1	1	298989	Packningsatts .....	Gasket set .....		Märkta/marked S	

A



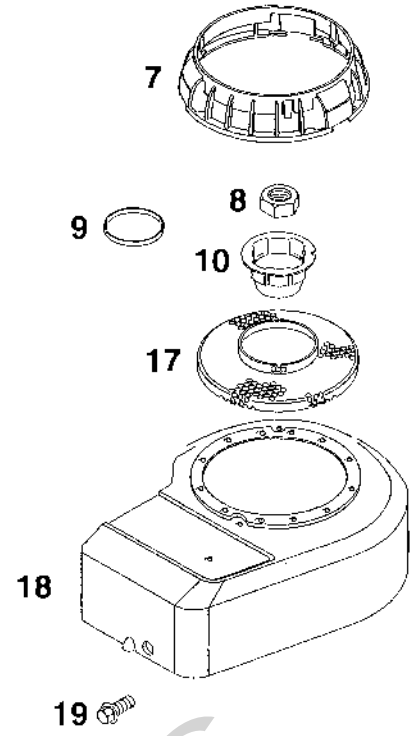
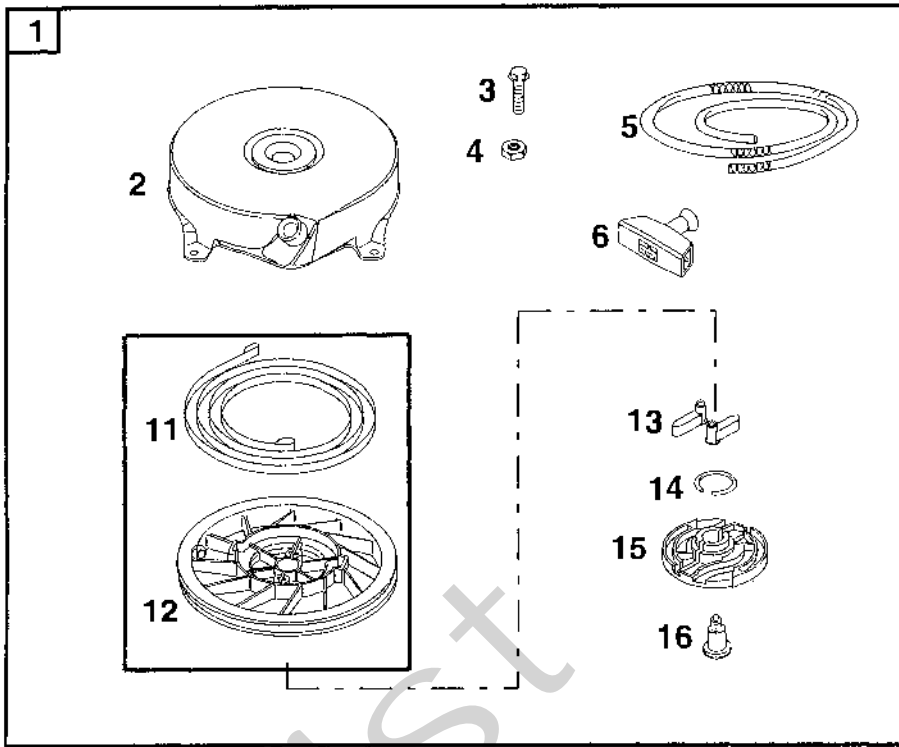
B



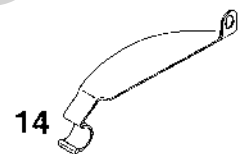
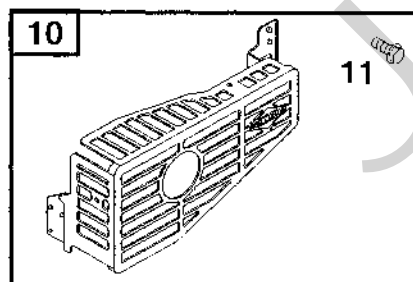
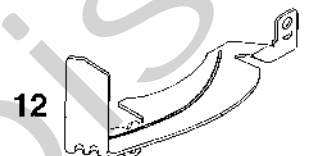
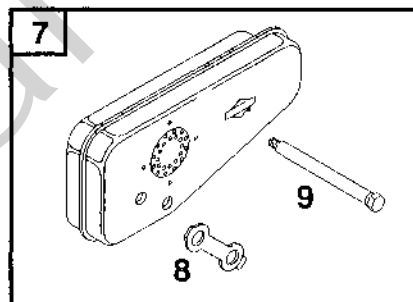
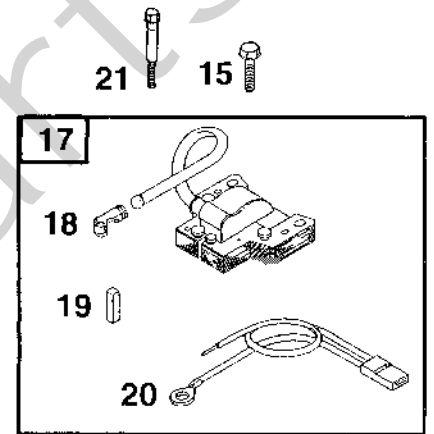
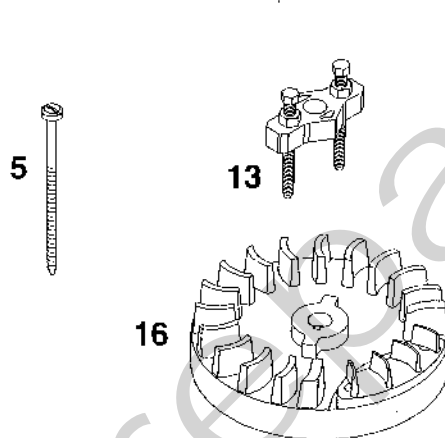
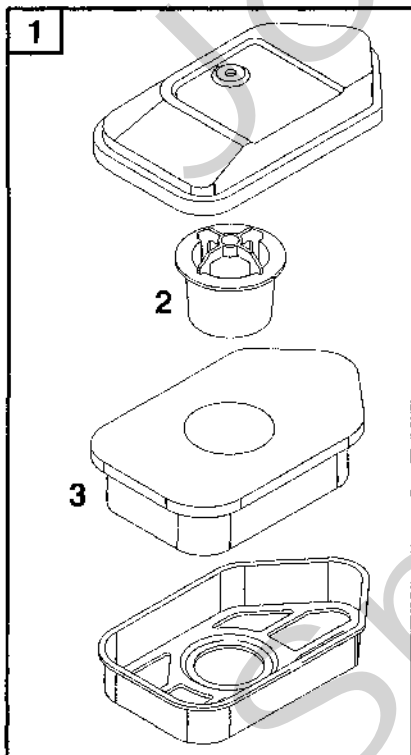


Utgåva Issue 2003-43		Bildnr Picture No 1273A		BRIGGS & STRATTON 10D902 FÖRGASARE BRÄNSLETANK		BRIGGS & STRATTON 10D902 CARBURETTOR FUEL TANK		Sida Page 348
Pos. Fig.	Antal/Quantity			Art nr Part No	Benämning	Description	Sats Kit	Anmärkning Notes
	10D 902- 0129	10D 902- 0141	10D 902- 0142					
A01	4	4	4	692200	Skruv .....	Screw .....		
A02	1	1	1	692189	Hylsa .....	Grommet .....		
A03	1	1	1	498811	Förgasare kpl .....	Carburettor assy .....		
A04	1	1	1	494408	• Primer .....	• Primer bulb .....		
A04	1	1	1	694394	• Primer .....	• Carburettor primer .....		
A05	1	1	1	271139	• Packning .....	• Gasket .....		
A06	1	1	1	270344	• Tätning .....	• Seal .....		
A07	1	1	1	691931	• Spjällaxel .....	• Throttle shaft .....		
A08	1	1	1	691321	• Dammtätning .....	• Dust seal .....		
A09	1	1	1	691190	• Gasspjäll .....	• Throttle valve .....		
A10	1	1	1	691837	• Nät .....	• Screen .....		
A11	1	1	1	691839	• Fjäder .....	• Spring .....		
A12	1	1	1	496046	• Bränslerör .....	• Fuel pipe .....		
A13	1	1	1	494409	• Ventilsåte .....	• Check valve seat .....		
A14	1	1	1	691901	• Såte .....	• Inlet seat .....		
A15	1	1	1	495770	• Membran .....	• Diaphragm .....		
A16	1	1	1	695866	• O-ring .....	• O-ring seal .....		
B01	1	1	1	691446	Reglageplåt .....	Control bracket .....		
B02	1	1	1	690347	Regulatorlänk .....	Air vane link .....		
B03	1	1	1	690251	Regulatorfjäder .....	Governor spring .....		
B03	1	1	1	690254	Regulatorfjäder .....	Governor spring .....		
B04	1	1	1	691859	Fjäder .....	Idle spring .....		
B05	1	1	1	494406	Bränsletank .....	Fuel tank .....		
B06	1	1	1	497929	• Tanklock .....	• Fuel cap .....		
B07	1	1	1	692390	Stoppkabel .....	Stop wire .....		
B08	1	1	1	692198	Skruv .....	Screw .....		
B09	1	1	1	691697	Skruv .....	Screw .....		
B10	1	1	1	691633	Distans .....	Spacer .....		
B11	1	1	1	690586	Wireklämma .....	Wire clip .....		
B12	1	1	1	691349	Kåpa .....	Linkage cover .....		
B13	1	1	1	691111	Skruv .....	Screw .....		
B14	2	2	2	691146	Skruv .....	Screw .....		
B15	1	1	1	691487	Broms .....	Brake .....		
B16	1	1	1	692310	• Stoppkontakt .....	• Stop switch .....		
B17	1	1	1	692135	• Bromsfjäder .....	• Brake spring .....		
B18	1	1	1	690859	Skruv .....	Screw .....		
B19	1	1	1	691044	Skruv .....	Screw .....		
B20	1	1	1	690798	Wireklämma .....	Casing clamp .....		

A



B



Utgåva Issue 2003-43		Bildnr Picture No 1272A		BRIGGS & STRATTON 10D902 START LUFTFILTER		BRIGGS & STRATTON 10D902 STARTER AIR CLEANER		Sida Page 350	
Pos. Fig.	Antal/Quantity			Art nr Part No	Benämning	Description	Sats Kit	Anmärkning Notes	
	10D 902- 0129	10D 902- 0141	10D 902- 0142						
A01	1	1	1	499706	Start kpl.....	Rewind starter.....			
A02	1	1	1	692144	• Starthus.....	• Starter housing.....			
A03	4	4	4	690837	• Skruv.....	• Screw.....			
A04	4	4	4	690800	• Mutter.....	• Nut.....			
A05	1	1	1	692259	• Startsnöre.....	• Starter rope.....			
A06	1	1	1	691915	• Starthandtag.....	• Starter grip.....			
A07	1	1	1	691348	Skydd.....	Rewind guard.....			
A08	1	1	1	690662	Mutter.....	Flywheel nut.....			
A09	1	1	1	694420	Roterande platta.....	Rotating trim plate.....			
A10	1	1	1	691236	Svänghjulskopp.....	Flywheel cup.....			
A11	1	1	1	499901	• Lnhjul m fjäder.....	• Pulley and spring.....			
A12	1	1	1	499901	• Lnhjul m fjäder.....	• Pulley and spring.....			
A13	2	2	2	281505	• Startklo.....	• Starter pawl.....			
A14	1	1	1	691855	• Friktionsfjäder.....	• Friction spring.....			
A15	1	1	1	692299	• Spärrplatta.....	• Pawl friction plate.....			
A16	1	1	1	691696	• Skruv.....	• Screw.....			
A17	1	1	1	691235	Skyddsnet.....	Rotating screen.....			
A18	1	1	1	691484	Fläkthus.....	Blower housing.....			
A19	3	3	3	692198	Skruv.....	Screw.....			
B01	1	1	1	493492	Luftfilter.....	Air cleaner.....			
B02	1	1	1	691911	• Stöd.....	• Support.....			
B03	1	1	1	272235	• Filterinsats.....	• Air cleaner filter.....			
B04	1	1	1	271139	Packning.....	Gasket.....			
B05	1	1	1	691417	Skruv.....	Screw.....			
B07	1	1	1	394644	Ljuddämpare.....	Muffler.....			
B07	1	1	1	692307	Ljuddämpare.....	Muffler.....			
B08	1	1	1	691179	• Låsbleck.....	• Screw lock.....			
B09	2	2	2	691413	• Skruv.....	• Screw.....			
B10	1	1	1	494896	Ljuddämparskydd.....	Muffler guard.....			
B11	2	2	2	690664	• Skruv.....	• Screw.....			
B12	1	1	1	691209	Svänghjulsskydd.....	Flywheel guard.....			
B13	1	1	1	19069	Avdragare.....	Puller.....			
B14	1	1	1	690482	Svänghjulsskydd.....	Flywheel guard.....			
B15	2	2	2	691061	Skruv.....	Screw.....			
B16	1	1	1	692009	Svänghjul.....	Flywheel.....			
B17	1	1	1	496914	Tändsystem kpl.....	Magneto armature.....			
B18	1	1	1	493880	• Anslutningshylsa.....	• Terminal.....			
B19	1	1	1	222698	• Kil.....	• Key.....			
B20	1	1	1	398808	• Kortslutningskabel.....	• Ground wire.....			
B21	1	1	1	691107	Skruv.....	Screw.....			