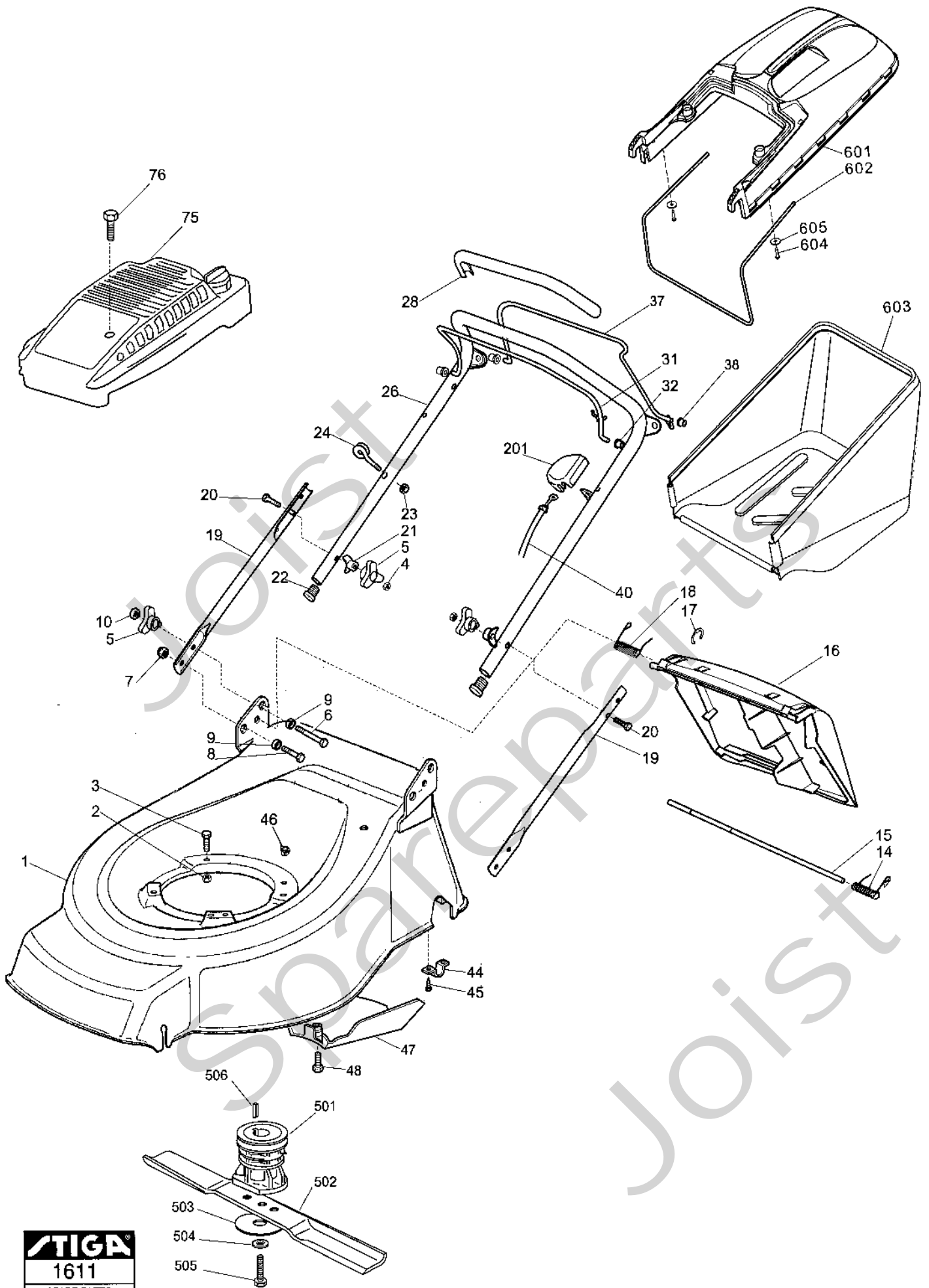


# Genuine Spare Parts

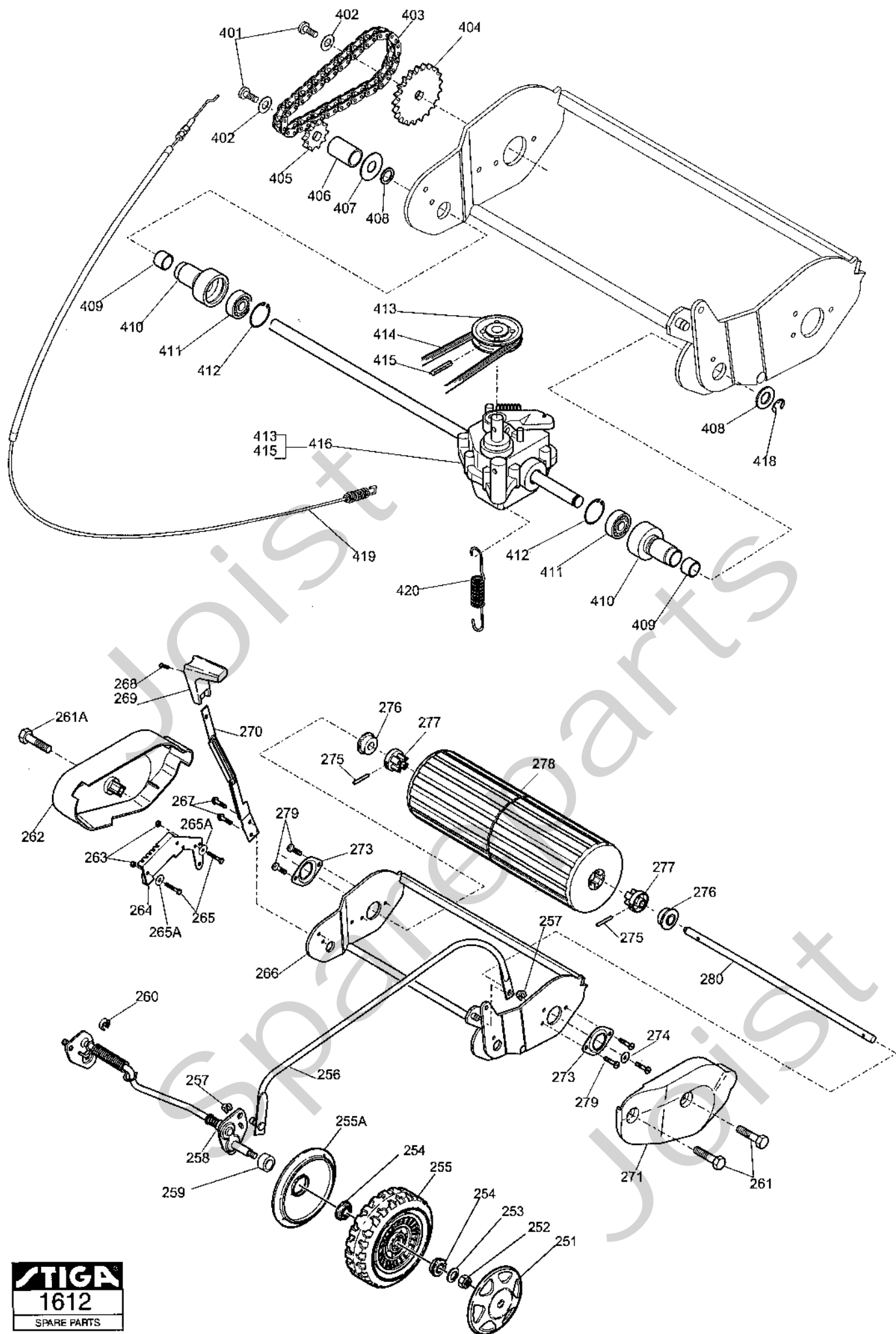
---



Joist  
Spareparts  
Joist



Utgåva Issue		Bildnr Picture No		COLLECTOR 46S ROLLER CHASSI GRÄSUPPSAMLARE	COLLECTOR 46S ROLLER CHASSIS GRASS COLLECTOR	Sida Page		
2003-43		1611				176		
Pos. Fig.	Antal/Quantity			Art nr Part No	Benämning	Description	Sats Kit	Anmärkning Notes
	3381							
X	1	1		1136-1378-01	Chassi-gul.....	Chassis- yellow .....		
	2	3/2		9739-0831-22	Mutter.....	Nut .....		
	2	0/1		9747-0831-02	Mutter.....	Lock nut.....		
	3	3/2		9997-0830-16	Skruv.....	Screw .....		L = 30 mm
	3	0/1		9997-0860-16	Skruv.....	Screw .....		L = 60 mm
	4	2		1136-0605-01	Mutter.....	Nut .....		
	5	4		1117-3194-01	Lås ratt .....	Locking knob .....		
	6	2		1136-0617-01	Skruv.....	Screw .....		
	7	2		9747-0831-02	Mutter.....	Lock nut.....		
	8	2		9997-0816-16	Skruv.....	Screw .....		
	9	4		1136-0637-01	Bussning .....	Bush.....		
	10	2		9799-0831-02	Mutter.....	Nut .....		
	14	1		1136-0671-01	Fjäder-vå .....	Spring-LH.....		
	15	1		1136-0680-01	Pivotaxel .....	Pivot pin.....		
X	16	1		1136-1348-01	Lucka .....	Flap .....		
	17	1		1136-0603-01	Låsring .....	Snap ring .....		
	18	1		1136-0670-01	Fjäder-hö.....	Spring-RH .....		
X	19	2		1136-1385-01	Styrrör-nedre.....	Handle tube- lower .....		
X	20	2		1136-1318-01	Skruv.....	Screw .....		
	21	2		1136-0693-01	Bricka .....	Washer.....		
	22	2		1136-0630-01	Propp .....	Cap.....		
	23	1		9747-0531-02	Mutter.....	Nut .....		
X	24	1		1136-1343-01	Ögla .....	Rope guide .....		
X	26	1		1136-1387-01	Styre-överdel .....	Handle-upper.....		
X	28	1		1136-1191-01	Handtag-svart .....	Handgrip-black.....		
	31	1		1136-0746-01	Motorbromsbygel.....	Engine brake lever.....		
	32	2		1136-0640-01	Bussning .....	Bush.....		
	37	1		1136-0745-01	Drivbygel .....	Drive lever.....		
	38	2		1136-0639-01	Bussning .....	Bush.....		
	40	1		1136-0714-01	Motorbromswire.....	Engine brake cable .....		
	44	2		1136-0682-01	Bygel .....	Plate.....		
X	45	4		1136-1317-01	Skruv.....	Screw .....		
	46	1		1136-0665-01	Gummihylsa .....	Rubber insert .....		
X	47	1		1136-1328-01	Remskydd .....	Belt protection.....		
	48	1		1136-0615-01	Skruv.....	Screw .....		
	75	1		1111-3287-01	Motorkåpa-svart .....	Engine cover-black.....		
	76	2		9828-7942-12	Skruv.....	Screw .....		
X	99	1		1136-1392-01	Skruvsats.....	Screw outfit.....		Ej ill/not ill.
	201	1		1136-0691-01	Skydd .....	Protection .....		
X	501	1		1111-9120-01	Knivfäste m.remskiva .....	Hub w. pulley .....		
X	502	1		1111-9121-01	Kniv .....	Blade .....		
	503	1		1136-0083-01	Fjäderbricka .....	Elastic washer .....		
	504	1		1136-0015-01	Bricka .....	Washer.....		
	505	1		1136-0616-01	Bult.....	Screw .....		
	506	1		9600-0014-00	Kil .....	Key .....		
X	601	1		1136-1346-01	Uppsamlare-överdel.....	Grass box-upper.....		
X	602	1		1136-1350-01	Trådbygel.....	Wire frame .....		
X	603	1		1136-1368-01	Uppsamlingskorg .....	Grass bag .....		
	604	2		9836-9525-12	Skruv.....	Screw .....		
	605	2		9699-0085-02	Planbricka.....	Flat washer.....		



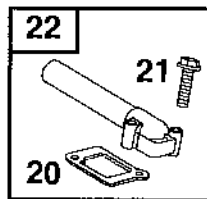
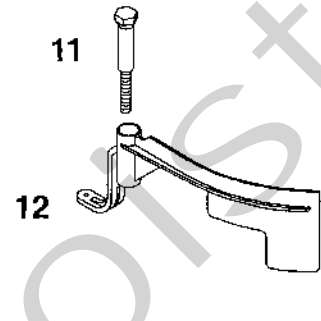
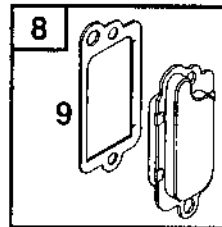
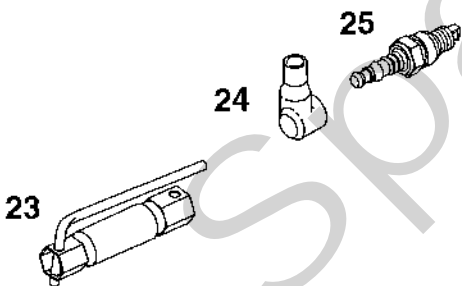
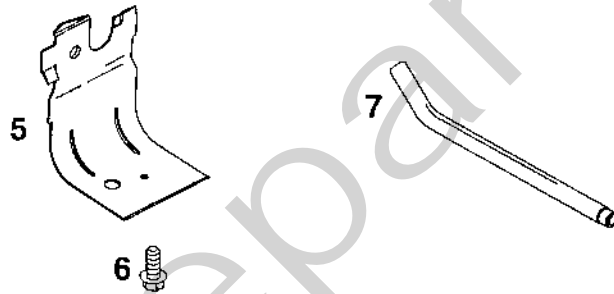
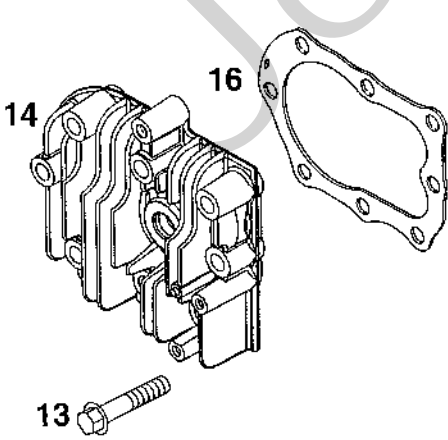
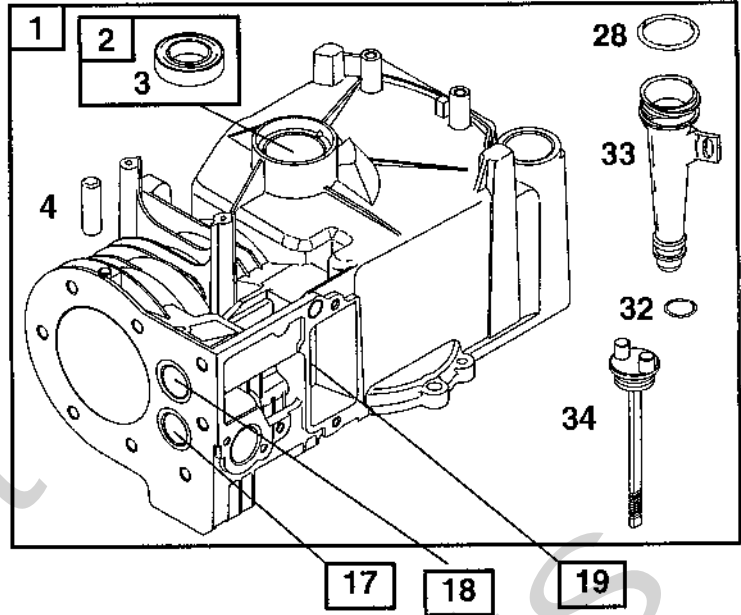
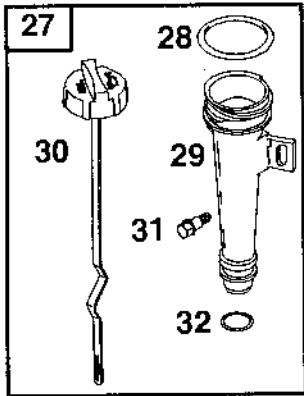
Utgåva Issue		Bildnr Picture No		COLLECTOR 46S ROLLER HJULUPPHÄNGNING TRANSMISSION	COLLECTOR 46S ROLLER WHEEL SUSPENSION TRANSMISSION	Sida Page		
2003-43		1612				178		
Pos. Fig.	Antal/Quantity			Art nr Part No	Benämning	Description	Sats Kit	Anmärkning Notes
	3381							
	251	2		1111-3084-01	Navkapsel- gul .....	Hub cap- yellow.....		
	252	2		9712-0831-02	Låsmutter .....	Lock nut.....		
	253	2		9699-0090-02	Planbricka .....	Flat washer.....		
	254	2		1111-3296-01	• Kullager .....	• Ball bearing .....		
	255	2		1111-2784-01	Hjul kpl .....	Wheel assy .....		
	255 A	2		1111-2785-01	Täckbricka .....	Wheel cover .....		
X	256	1		1136-1384-01	Höjdställningsstag .....	Height adjust rod .....		
	257	2		1136-0009-01	Låsplatta .....	Lock plate .....		
X	258	1		1136-1357-01	Hjulaxel- fram .....	Wheel axle- front .....		
	259	2		1136-0657-01	Distans .....	Spacer.....		
	260	1		1136-0658-01	Distans .....	Spacer.....		
X	261	2		1136-1314-01	Skruv .....	Screw.....		
X	261 A	1		1136-1316-01	Skruv .....	Screw.....		
X	262	1		1136-1332-01	Skydd- hö .....	Cover- RH.....		
	263	2		9747-0531-02	Mutter .....	Nut.....		
X	264	1		1136-1352-01	Höjdstusersektor .....	Height adjust sector .....		
	265	2		9997-0512-16	Skruv .....	Screw.....		
	265 A	2		9699-0035-02	Planbricka .....	Flat washer.....		
X	266	1		1136-1382-01	Rullfäste .....	Roller support.....		
	267	2		1136-0815-01	Skruv .....	Screw.....		
	268	1		9836-9525-12	Skruv .....	Screw.....		
	269	1		1111-2445-01	Handtag .....	Grip.....		
X	270	1		1136-1341-01	Höjdställningsspak .....	Height adjust lever .....		
X	271	1		1136-1333-01	Skydd- vä .....	Cover- LH.....		
X	273	2		1136-1340-01	Stöd .....	Support.....		
X	274	1		1136-1351-01	Bricka .....	Washer.....		
X	275	2		1136-1312-01	Stift .....	Pin.....		
X	276	2		1136-1323-01	Lager .....	Bearing.....		
X	277	2		1136-1356-01	Drivhylsa .....	Tractor sleeve.....		
X	278	1		1136-1389-01	Rulle .....	Roller.....		
X	279	4		1136-1315-01	Skruv .....	Screw.....		
X	280	1		1136-1325-01	Rullaxel .....	Roller shaft .....		
X	401	2		1136-1315-01	Skruv .....	Screw.....		
	402	2		9699-0060-02	Planbricka .....	Flat washer.....		
X	403	1		1111-3562-01	Kedja (nitad) .....	Chain (riveted) .....		
	404	1		1111-3424-01	Kedjehjul .....	Sprocket.....		
	405	1		1111-3423-01	Kedjehjul .....	Sprocket.....		
X	406	1		1136-1339-01	Distans .....	Spacer.....		
	407	2		1136-0088-01	Bricka .....	Washer.....		
	408	2		1136-0857-01	Bricka .....	Washer.....		
X	409	2		1136-1327-01	Bussning .....	Bushing.....		
X	410	2		1136-1354-01	Lagerstöd .....	Bearing support .....		
	411	2		1136-0632-01	Lager .....	Bearing.....		
X	412	2		1136-1311-01	Låsring .....	Lock ring.....		
	413	1		1136-0692-01	• Remskiva .....	• Pulley .....		
X	414	1		1111-9123-01	Drivrem .....	Drive belt.....		
	415	1		1136-0612-01	• Stift .....	• Pin.....		
X	416	1		1136-1379-01	Transmission kpl .....	Gearbox assy .....		
X	418	1		1136-1310-01	Låsring .....	Lock ring.....		
X	419	1		1136-1360-01	Kopplingswire .....	Clutch cable .....		
	420	1		1136-0204-01	Fjäder .....	Spring.....		

Inkl. pos 254

Inkl. pos 413, 415

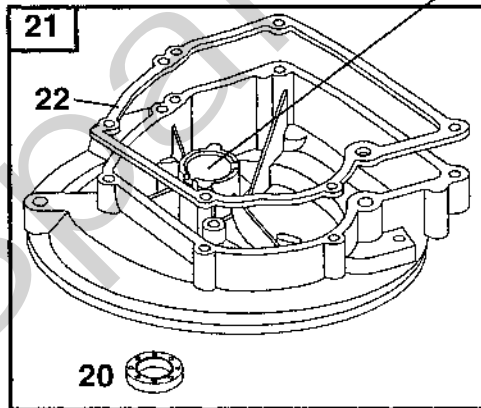
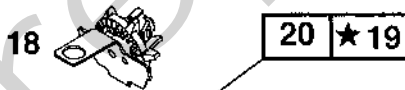
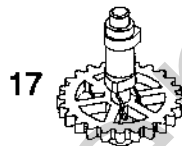
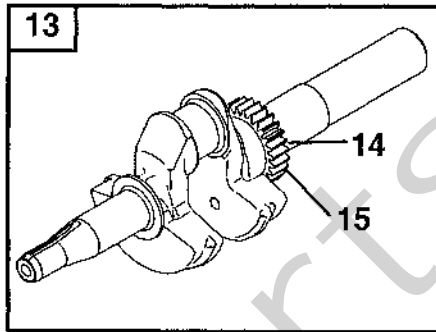
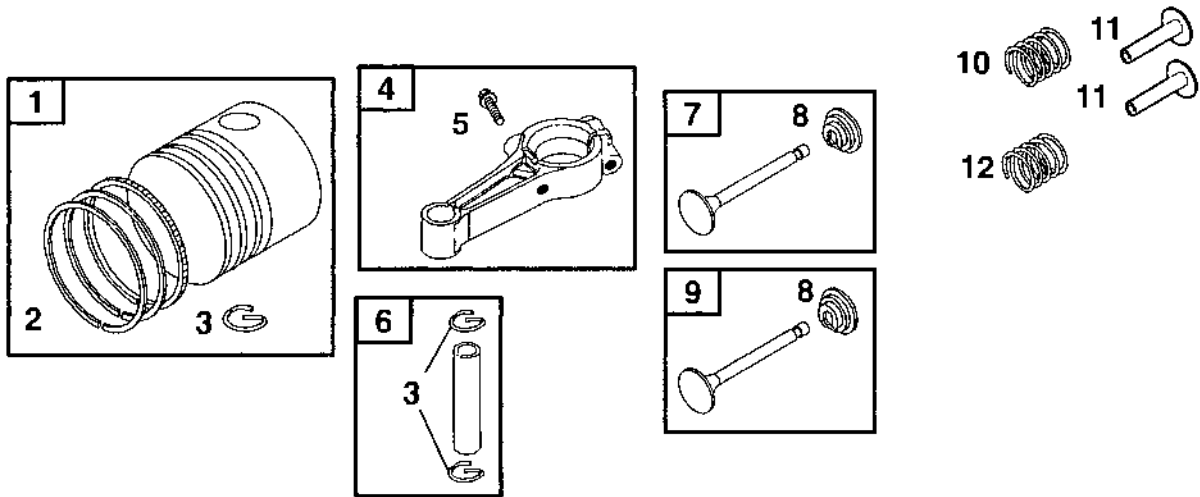
A

15 



Utgåva Issue 2003-43		Bildnr Picture No 1476		BRIGGS & STRATTON 10D902 CYLINDER		BRIGGS & STRATTON 10D902 CYLINDER		Sida Page 344	
Pos. Fig.	Antal/Quantity			Art nr Part No	Benämning	Description	Sats Kit	Anmärkning Notes	
	10D 902- 0129	10D 902- 0141	10D 902- 0142						
A01	1	1	1	399164	Cylinder kpl.....	Cylinder assy.....			
A02	1	1	1	399269	• Bussning.....	• Bushing.....			
A03	1	1	1	299819	• Tätningring.....	• Oil seal.....	S		
A04	2	2	2	690959	• Tapp.....	• Locating pin.....			
A05	1	1	1	690400	Skyddsplåt.....	Cylinder shield.....			
A06	1	1	1	690345	Skruv.....	Screw.....			
A07	1	1	1	691245	Rör.....	Breather tube.....			
A08	1	1	1	495785	Vevhusventilation.....	Breather.....			
A09	1	1	1	272602	• Packning.....	• Gasket.....	S		
A09	1	1	1	695890	• Packning.....	• Gasket.....	S		
A10	2	2	2	691666	Skruv.....	Screw.....			
A11	1	1	1	691107	Skruv.....	Screw.....			
A12	1	1	1	691912	Regulatorvinge.....	Governor blade.....			
A13	8	8	8	691697	Skruv.....	Screw.....			
A14	1	1	1	690386	Topplöck.....	Cylinder head.....			
A15	1	1	1	692889	Distans.....	Spacer.....			
A16	1	1	1	692288	Topplöckspackning.....	Cylinder head gasket.....	S		
A17	1	1	1	691702	• Ventilåte- utblås.....	• Valve seat- exhaust.....			
A18	1	1	1	691701	• Ventilåte- insug.....	• Valve seat- intake.....			
A19	1	1	1	231348	• Ventilstyrning- utblås.....	• Guide bushing- exhaust.....			
A19	1	1	1	63709	• Ventilstyrning- insug.....	• Guide- intake valve.....			
A20	1	1	1	270345	• Packning.....	• Gasket.....	S		
A21	2	2	2	691111	• Skruv.....	• Screw.....			
A22	1	1	1	693446	Insugningsrör.....	Intake manifold.....			
A23	1	1	1	1111-9029-01	Tändstiftsnyckel.....	Spark plug wrench.....			
A24	1	1	1	66538	Tändstiftsskydd.....	Spark plug elbow.....			
A25	1	1	1	9400-0225-00	Tändstift.....	Spark plug.....		Champion J19LM	
A27	1	1	1	691440	Oljesticka kpl.....	Dipstick assy.....			
A28	1	1	1	691870	• Tätningring.....	• Seal.....			
A29	1	1	1	691320	• Påfyllningsrör.....	• Dipstick tube.....			
A30	1	1	1	692040	• Oljesticka.....	• Dipstick.....			
A31	1	1	1	691002	• Skruv.....	• Screw.....			
A32	1	1	1	691876	• Tätningring.....	• Dipstick tube seal.....	S		
A33	1	1	1	694531	• Påfyllningsrör.....	• Dipstick tube.....			
A34	1	1	1	691913	• Oljesticka.....	• Oil dipstick.....			

A

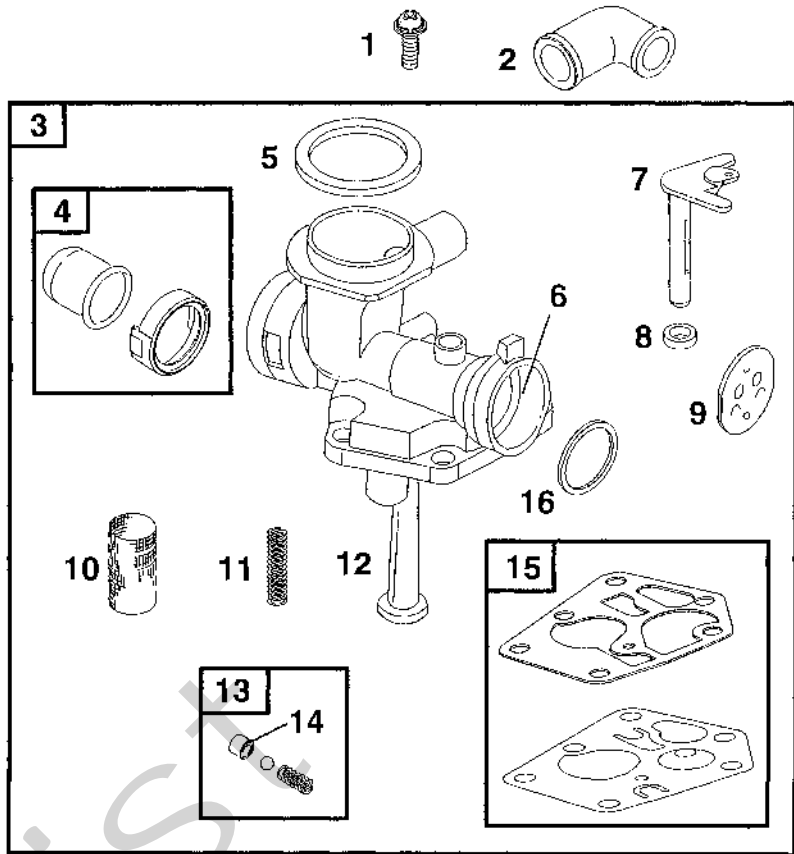


31 ENGINE GASKET SET

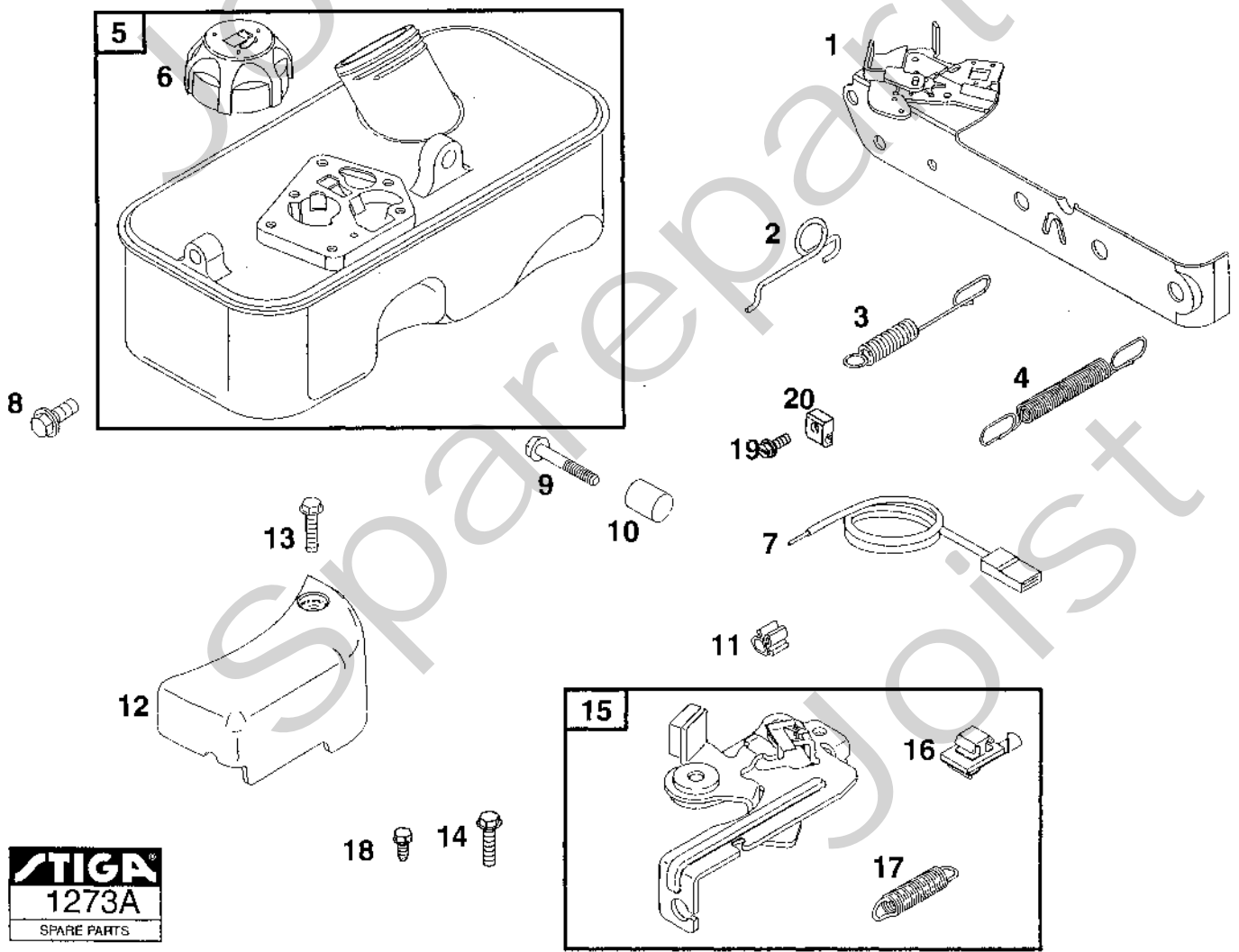


Utgåva Issue		Bildnr Picture No		BRIGGS & STRATTON 10D902 VEVAXEL VEVHUS		BRIGGS & STRATTON 10D902 CRANKSHAFT CRANKCASE		Sida Page	
2003-43		1477						346	
Pos. Fig.	Antal/Quantity			Art nr Part No	Benämning	Description	Sats Kit	Anmärkning Notes	
	10D 902- 0129	10D 902- 0141	10D 902- 0142						
A01	1	1	1	498668	Kolv kpl.....	Piston assy .....		Standard	
A01	1	1	1	498669	Kolv kpl.....	Piston assy .....		.010" oversize	
A01	1	1	1	498670	Kolv kpl.....	Piston assy .....		.020" oversize	
A01	1	1	1	498671	Kolv kpl.....	Piston assy .....		.030" oversize	
A02	1	1	1	498680	• Kolvringsatts .....	• Ring set .....		Standard	
A02	1	1	1	498681	• Kolvringsatts .....	• Ring set .....		.010" oversize	
A02	1	1	1	498682	• Kolvringsatts .....	• Ring set .....		.020" oversize	
A02	1	1	1	498683	• Kolvringsatts .....	• Ring set .....		.030" oversize	
A03	2	2	2	691588	• Låsring .....	• Piston pin lock .....			
A04	1	1	1	496792	Vevstake .....	Connecting rod .....			
A05	2	2	2	691664	• Skruv .....	• Screw .....			
A06	1	1	1	298908	Kolvbult kpl.....	Piston pin assy.....		.005" oversize	
A06	1	1	1	298909	Kolvbult kpl.....	Piston pin assy.....		Standard	
A07	1	1	1	296676	Utblåsningsventil .....	Exhaust valve .....			
A08	2	2	2	692194	• Ventilhållare .....	• Valve retainer .....			
A09	1	1	1	296677	Insugningsventil .....	Intake valve .....			
A10	1	1	1	690520	Ventilfjäder .....	Valve spring .....			
A11	2	2	2	691762	Ventillyftare .....	Valve tappet .....			
A12	1	1	1	690520	Ventilfjäder .....	Valve spring .....			
A13	1	1	1	691471	Vevaxel .....	Crankshaft .....			
A14	1	1	1	499047	• Stift .....	• Pin .....			
A15	1	1	1	691805	• Drev .....	• Timing gear .....			
A16	1	1	1	222698	Kil .....	Key .....			
A17	1	1	1	691998	Kamaxel .....	Camshaft .....			
A18	1	1	1	691983	Oljeslångare .....	Oil slinger .....			
A19	1	1	1	293709	• Bussning .....	• Bushing .....			
A20	1	1	1	391483	• Tätningssring .....	• Oil seal .....	S		
A21	1	1	1	395384	Vevhus .....	Oil sump .....			
A22	1	1	1	270895	• Vevhuspackning .....	• Crankcase gasket .....	S	.005" thick	
A22	1	1	1	270896	• Vevhuspackning .....	• Crankcase gasket .....	S	.009" thick	
A22	1	1	1	692218	• Vevhuspackning .....	• Crankcase gasket .....	S	.015" thick (Standard)	
A23	1	1	1	691680	Oljeavtappningsplugg .....	Oil drain plug .....			
A24	6	6	6	691662	Skruv .....	Screw .....			
A31	1	1	1	298989	Packningssatts .....	Gasket set .....		Märkta/marked S	

A

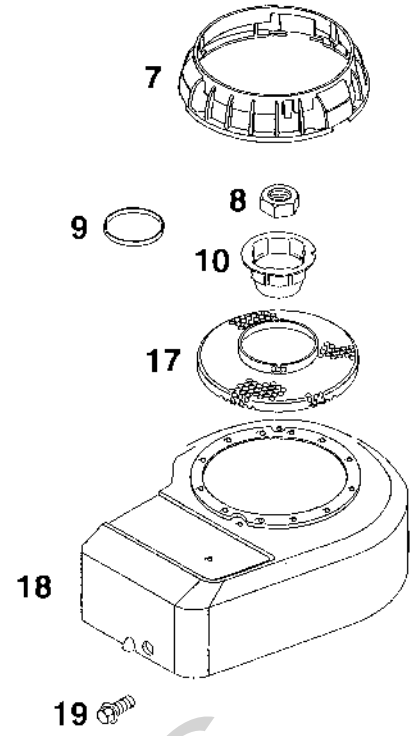
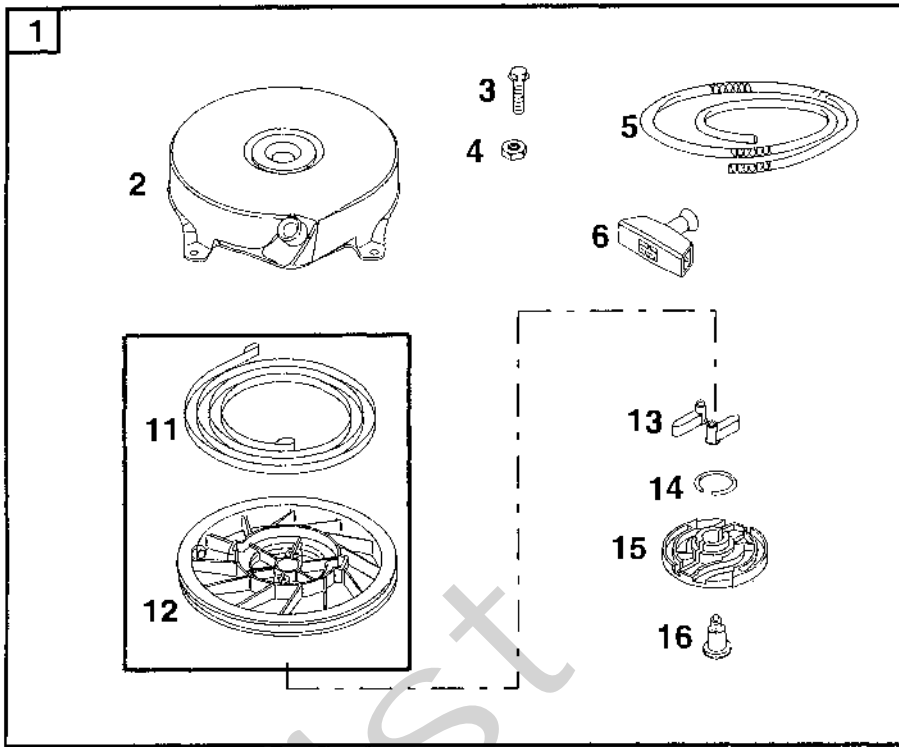


B

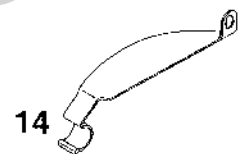
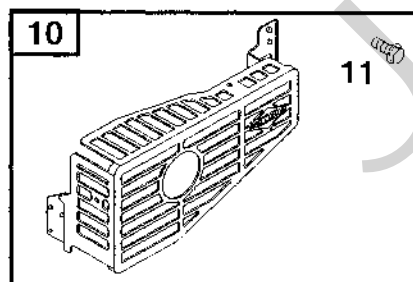
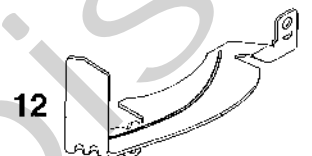
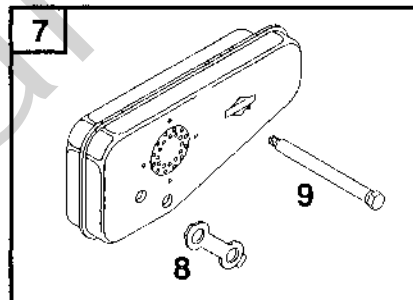
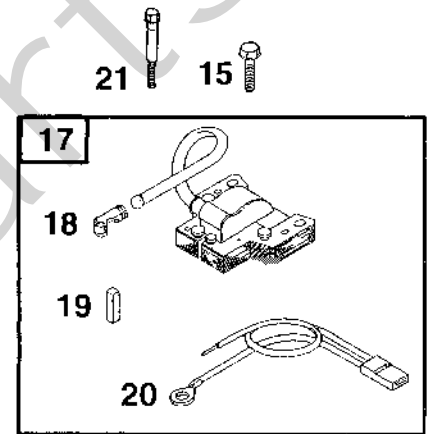
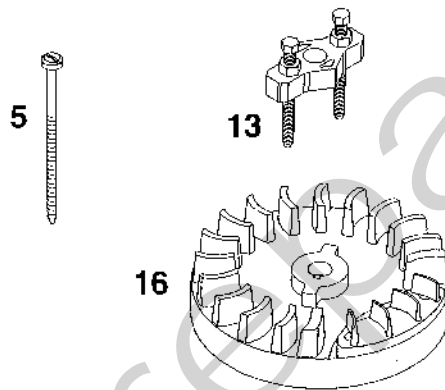
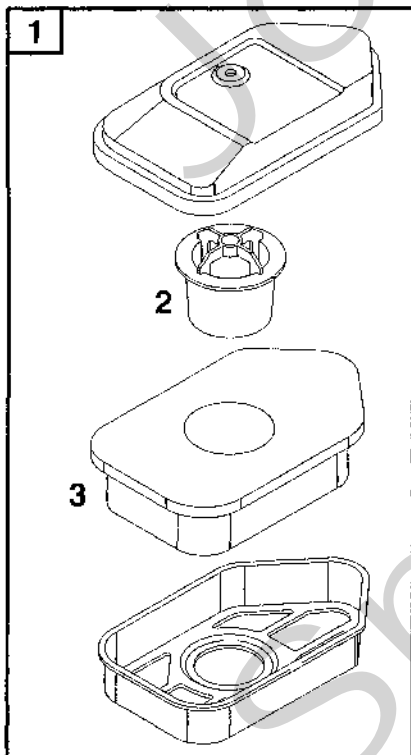


Utgåva Issue 2003-43		Bildnr Picture No 1273A		BRIGGS & STRATTON 10D902 FÖRGASARE BRÄNSLETANK		BRIGGS & STRATTON 10D902 CARBURETTOR FUEL TANK		Sida Page 348	
Pos. Fig.	Antal/Quantity			Art nr Part No	Benämning	Description	Sats Kit	Anmärkning Notes	
	10D 902- 0129	10D 902- 0141	10D 902- 0142						
A01	4	4	4	692200	Skruv .....	Screw .....			
A02	1	1	1	692189	Hylsa .....	Grommet .....			
A03	1	1	1	498811	Förgasare kpl .....	Carburettor assy .....			
A04	1	1	1	494408	• Primer .....	• Primer bulb .....			
A04	1	1	1	694394	• Primer .....	• Carburettor primer .....			
A05	1	1	1	271139	• Packning .....	• Gasket .....			
A06	1	1	1	270344	• Tätning .....	• Seal .....			
A07	1	1	1	691931	• Spjällaxel .....	• Throttle shaft .....			
A08	1	1	1	691321	• Dammtätning .....	• Dust seal .....			
A09	1	1	1	691190	• Gasspjäll .....	• Throttle valve .....			
A10	1	1	1	691837	• Nät .....	• Screen .....			
A11	1	1	1	691839	• Fjäder .....	• Spring .....			
A12	1	1	1	496046	• Bränslerör .....	• Fuel pipe .....			
A13	1	1	1	494409	• Ventilsåte .....	• Check valve seat .....			
A14	1	1	1	691901	• Såte .....	• Inlet seat .....			
A15	1	1	1	495770	• Membran .....	• Diaphragm .....			
A16	1	1	1	695866	• O-ring .....	• O-ring seal .....			
B01	1	1	1	691446	Reglageplåt .....	Control bracket .....			
B02	1	1	1	690347	Regulatorlänk .....	Air vane link .....			
B03	1	1	1	690251	Regulatorfjäder .....	Governor spring .....			
B03	1	1	1	690254	Regulatorfjäder .....	Governor spring .....			
B04	1	1	1	691859	Fjäder .....	Idle spring .....			
B05	1	1	1	494406	Bränsletank .....	Fuel tank .....			
B06	1	1	1	497929	• Tanklock .....	• Fuel cap .....			
B07	1	1	1	692390	Stoppkabel .....	Stop wire .....			
B08	1	1	1	692198	Skruv .....	Screw .....			
B09	1	1	1	691697	Skruv .....	Screw .....			
B10	1	1	1	691633	Distans .....	Spacer .....			
B11	1	1	1	690586	Wireklämma .....	Wire clip .....			
B12	1	1	1	691349	Kåpa .....	Linkage cover .....			
B13	1	1	1	691111	Skruv .....	Screw .....			
B14	2	2	2	691146	Skruv .....	Screw .....			
B15	1	1	1	691487	Broms .....	Brake .....			
B16	1	1	1	692310	• Stoppkontakt .....	• Stop switch .....			
B17	1	1	1	692135	• Bromsfjäder .....	• Brake spring .....			
B18	1	1	1	690859	Skruv .....	Screw .....			
B19	1	1	1	691044	Skruv .....	Screw .....			
B20	1	1	1	690798	Wireklämma .....	Casing clamp .....			

A



B



Utgåva Issue 2003-43		Bildnr Picture No 1272A		BRIGGS & STRATTON 10D902 START LUFTFILTER		BRIGGS & STRATTON 10D902 STARTER AIR CLEANER		Sida Page 350	
Pos. Fig.	Antal/Quantity			Art nr Part No	Benämning	Description	Sats Kit	Anmärkning Notes	
	10D 902- 0129	10D 902- 0141	10D 902- 0142						
A01	1	1	1	499706	Start kpl.....	Rewind starter.....			
A02	1	1	1	692144	• Starthus.....	• Starter housing.....			
A03	4	4	4	690837	• Skruv.....	• Screw.....			
A04	4	4	4	690800	• Mutter.....	• Nut.....			
A05	1	1	1	692259	• Startsnöre.....	• Starter rope.....			
A06	1	1	1	691915	• Starthandtag.....	• Starter grip.....			
A07	1	1	1	691348	Skydd.....	Rewind guard.....			
A08	1	1	1	690662	Mutter.....	Flywheel nut.....			
A09	1	1	1	694420	Roterande platta.....	Rotating trim plate.....			
A10	1	1	1	691236	Svänghjulskopp.....	Flywheel cup.....			
A11	1	1	1	499901	• Lnhjul m fjäder.....	• Pulley and spring.....			
A12	1	1	1	499901	• Lnhjul m fjäder.....	• Pulley and spring.....			
A13	2	2	2	281505	• Startklo.....	• Starter pawl.....			
A14	1	1	1	691855	• Friktionsfjäder.....	• Friction spring.....			
A15	1	1	1	692299	• Spärrplatta.....	• Pawl friction plate.....			
A16	1	1	1	691696	• Skruv.....	• Screw.....			
A17	1	1	1	691235	Skyddsnet.....	Rotating screen.....			
A18	1	1	1	691484	Fläkthus.....	Blower housing.....			
A19	3	3	3	692198	Skruv.....	Screw.....			
B01	1	1	1	493492	Luftfilter.....	Air cleaner.....			
B02	1	1	1	691911	• Stöd.....	• Support.....			
B03	1	1	1	272235	• Filterinsats.....	• Air cleaner filter.....			
B04	1	1	1	271139	Packning.....	Gasket.....			
B05	1	1	1	691417	Skruv.....	Screw.....			
B07	1	1	1	394644	Ljuddämpare.....	Muffler.....			
B07	1	1	1	692307	Ljuddämpare.....	Muffler.....			
B08	1	1	1	691179	• Låsbleck.....	• Screw lock.....			
B09	2	2	2	691413	• Skruv.....	• Screw.....			
B10	1	1	1	494896	Ljuddämparskydd.....	Muffler guard.....			
B11	2	2	2	690664	• Skruv.....	• Screw.....			
B12	1	1	1	691209	Svänghjulsskydd.....	Flywheel guard.....			
B13	1	1	1	19069	Avdragare.....	Puller.....			
B14	1	1	1	690482	Svänghjulsskydd.....	Flywheel guard.....			
B15	2	2	2	691061	Skruv.....	Screw.....			
B16	1	1	1	692009	Svänghjul.....	Flywheel.....			
B17	1	1	1	496914	Tändsystem kpl.....	Magneto armature.....			
B18	1	1	1	493880	• Anslutningshylsa.....	• Terminal.....			
B19	1	1	1	222698	• Kil.....	• Key.....			
B20	1	1	1	398808	• Kortslutningskabel.....	• Ground wire.....			
B21		1	1	691107	Skruv.....	Screw.....			