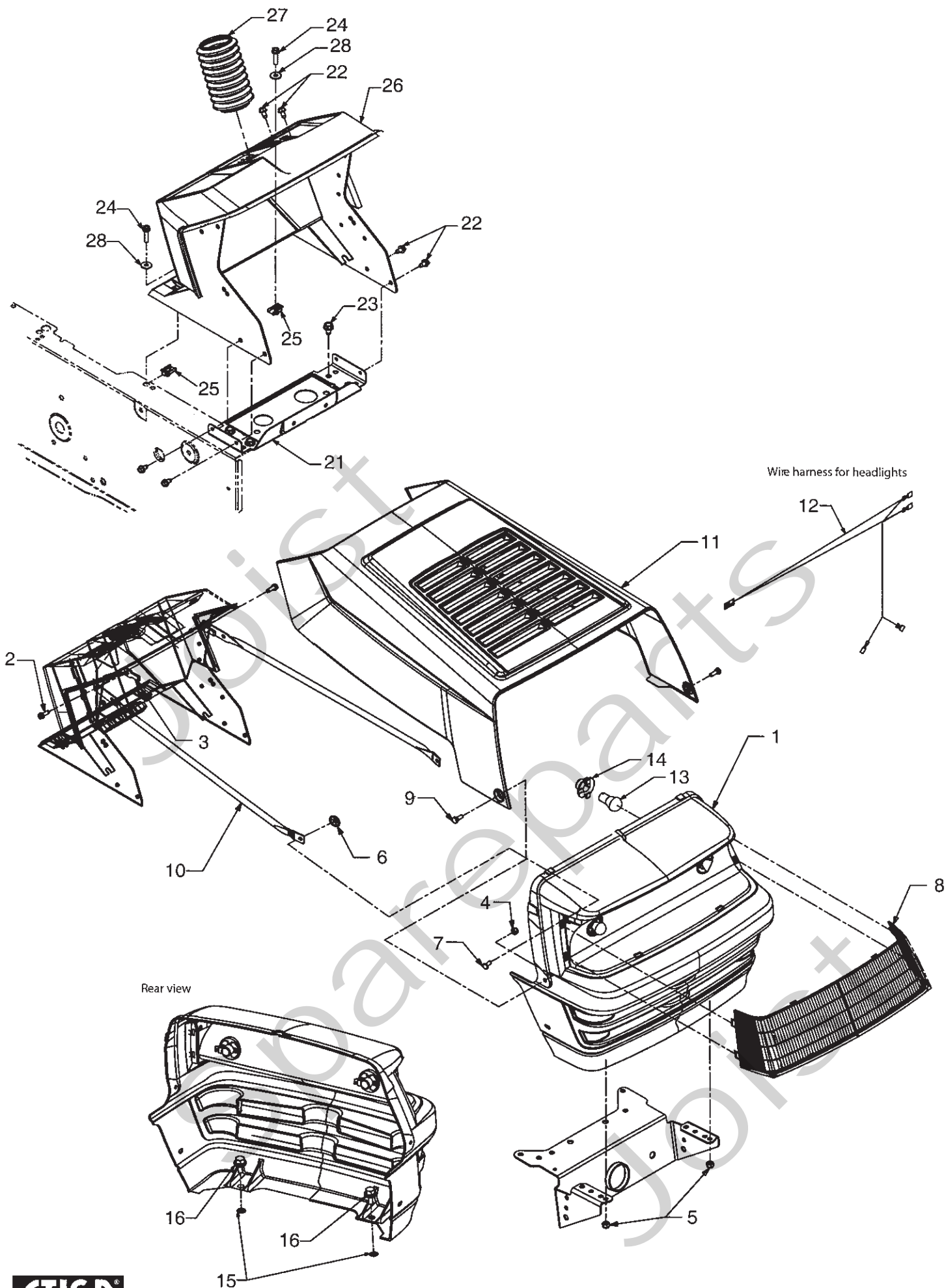


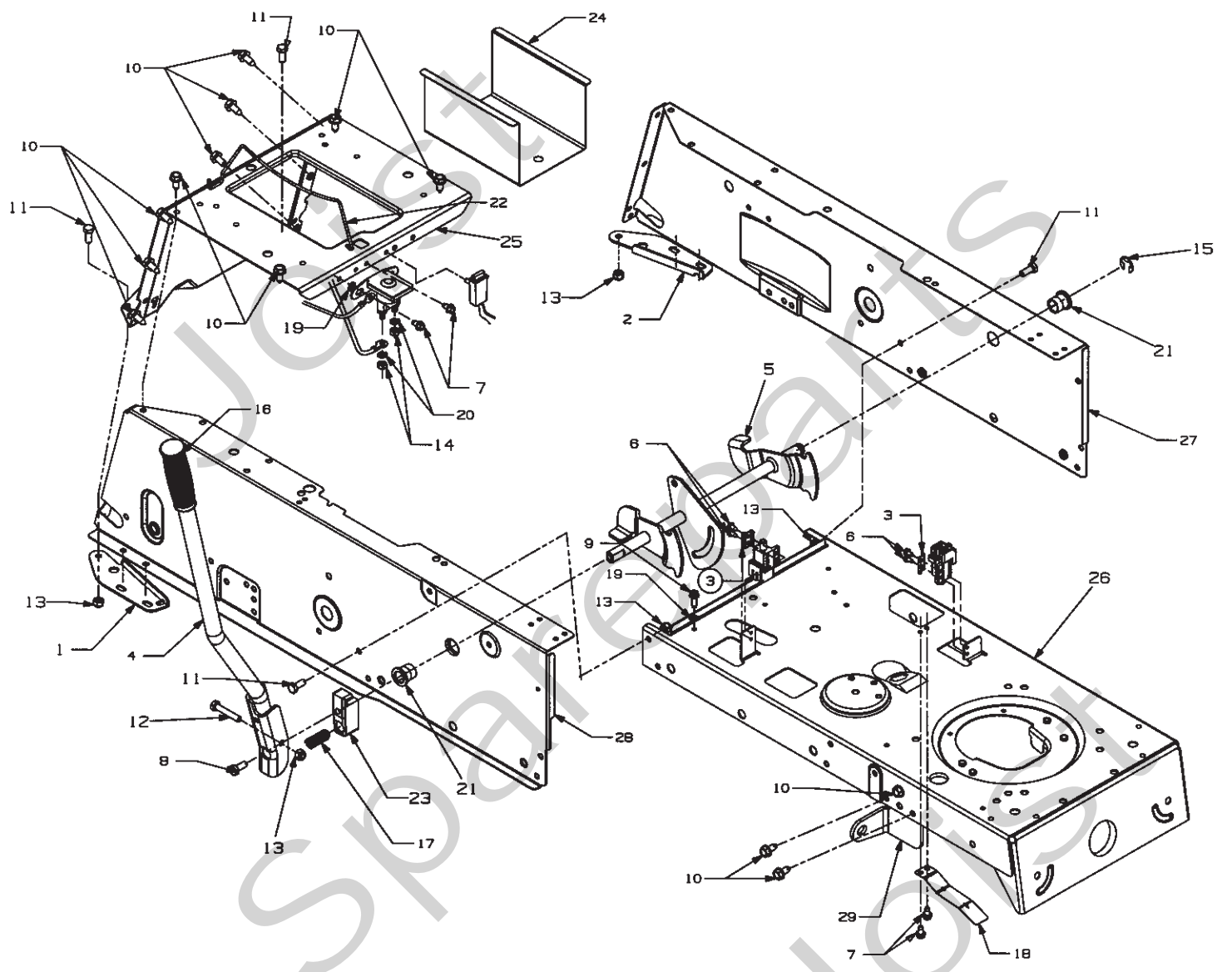
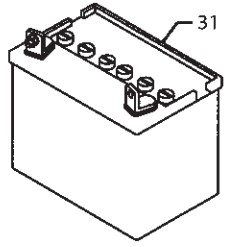
Genuine Spare Parts



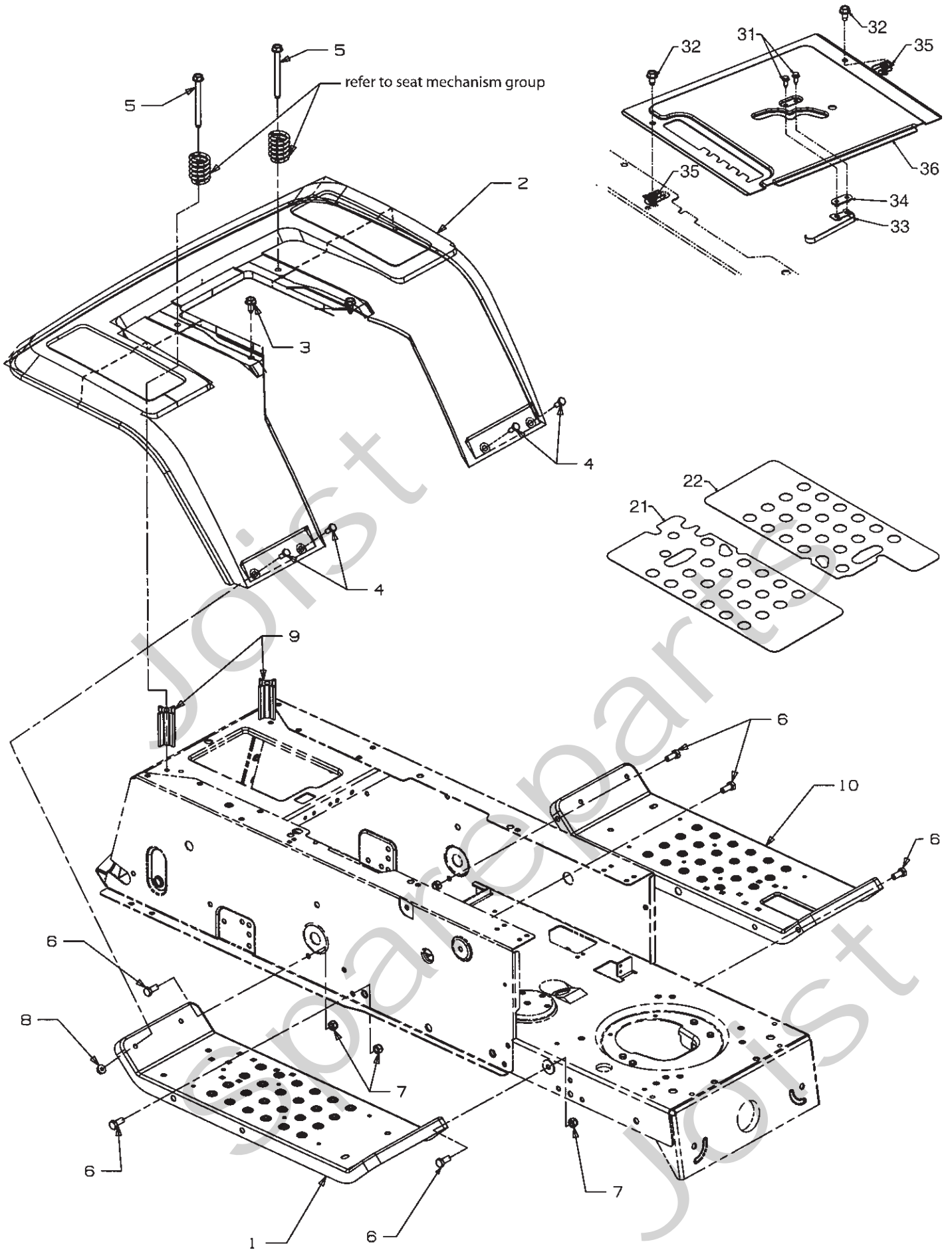
Spareparts
Joist



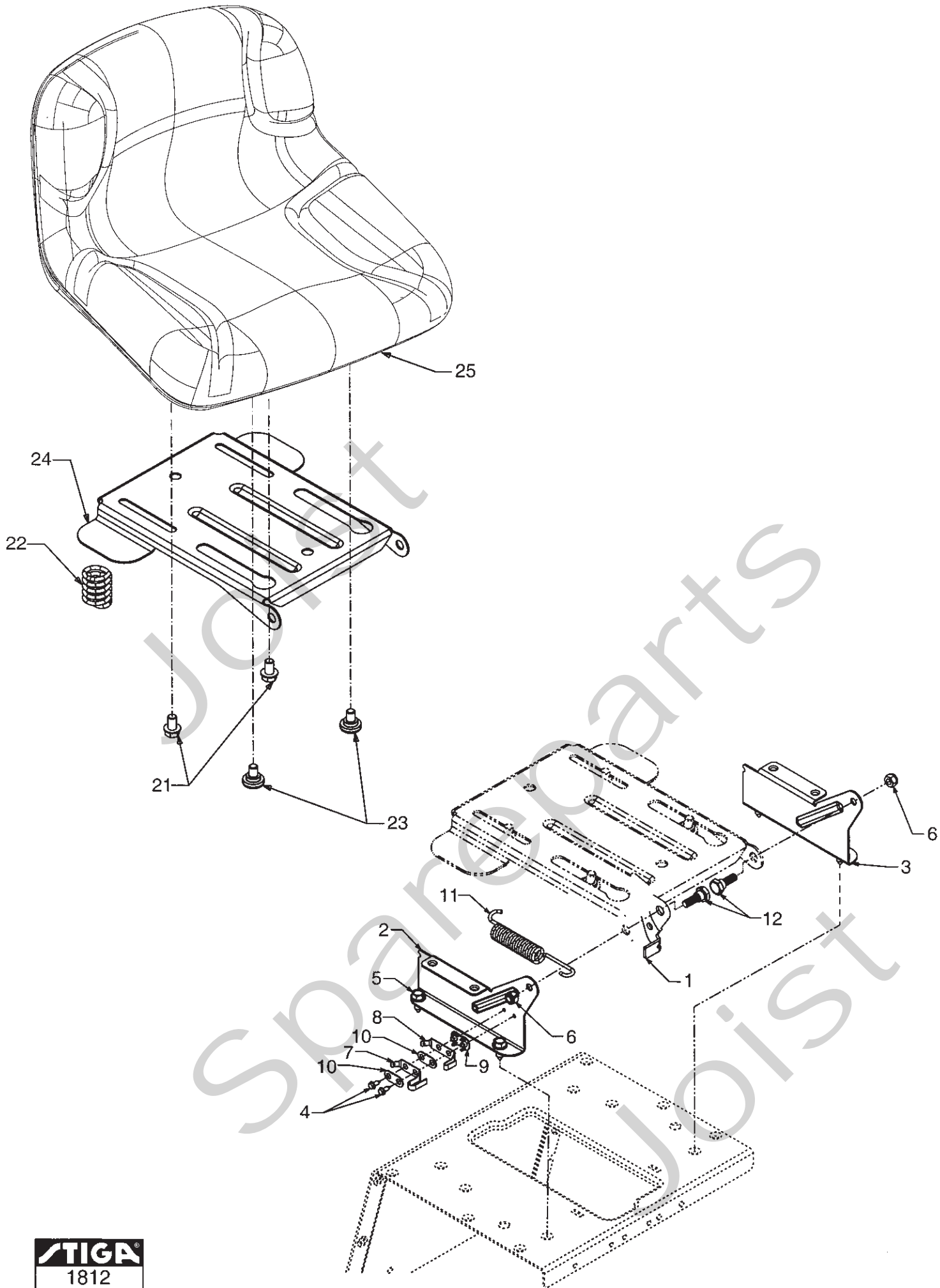
Utgåva Issue		Bildnr Picture No		SD 12,5/96 KAROSS		SD 12,5/96 BODY WORK		Sida Page	
2005-13		1811						2	
Pos. Fig.	Antal/Quantity			Art nr Part No	Benämning	Description	Sats Kit	Anmärkning Notes	
	2571								
X	1	1		1132-2114-01	Grill- grå.....	Front grill- grey			
X	1	1		1132-2116-01	Grill- svart.....	Front grille- black			
X	2	2		1811-2021-01	Skruv	Screw			
X	3	2		1132-2059-01	Mutter.....	Nut			
	4	2		9743-3521-32	Mutter.....	Nut			
	5	2		9743-3621-32	Mutter.....	Nut			
X	6	2		1132-2104-01	Bricka	Washer.....			
X	7	2		1132-2106-01	Nit.....	Rivet.....			
X	8	1		1132-2117-01	Strålkastarlins.....	Headlamp lens			
X	9	2		1132-2165-01	Ansatskrav.....	Shoulder screw			
X	10	2		1132-2193-01	Stödstag- grill	Grille support rod			
X	11	1		1132-2219-01	Motorhuv- röd	Engine hood- red			
X	11	1		1132-2220-01	Motorhuv- gul.....	Engine hood- yellow			
X	12	1		1132-2018-01	Kablage- strålkastare	Harness- headlamp			
	13	2		9400-0293-01	Glödlampa	Bulb			
X	14	2		1132-2092-01	Lampsockel	Lampholder.....			
X	15	2		1132-2095-01	Snabbmutter.....	Speed nut.....			
X	16	2		1132-2161-01	Ansatskrav.....	Shoulder screw			
X	21	1		1132-2003-01	Tankfäste	Tank bracket.....			
X	22	6		1132-2038-01	Skruv	Screw			
X	23	4		1132-2041-01	Skruv	Screw			
X	24	2		1132-2043-01	Skruv	Screw			
X	25	2		1132-2105-01	Mutter.....	Nut			
X	26	1		1132-2109-01	Instrumentpanel	Dashboard		With choke W/o choke	
X	26	1		1132-2110-01	Instrumentpanel	Dashboard			
X	27	1		1132-2115-01	Rattstångsbälg.....	Steer. rubber bellows			
X	28	2		9699-0100-02	Bricka	Washer.....			



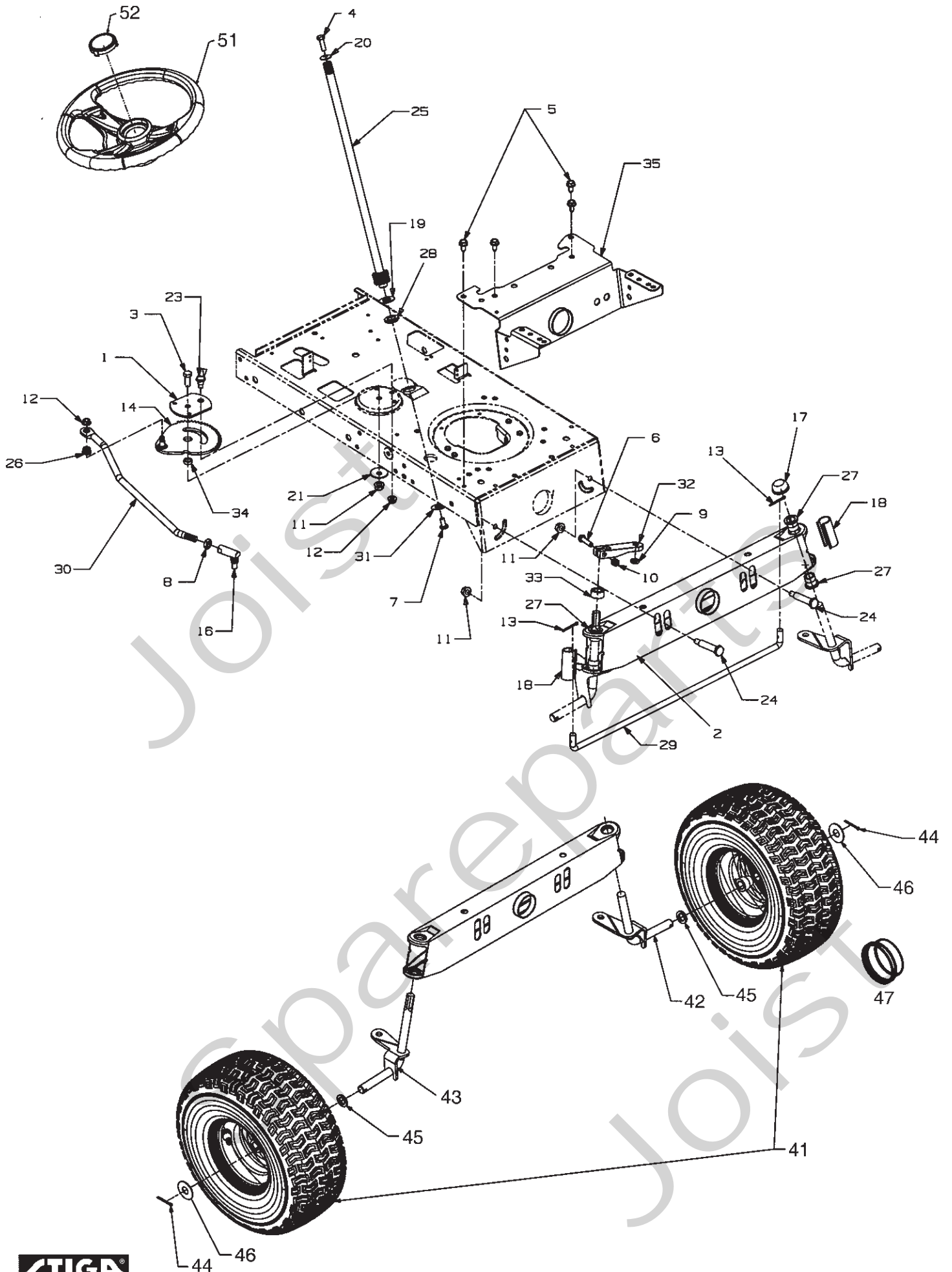
Utgåva Issue		Bildnr Picture No		SD 12,5/96 RAM	SD 12,5/96 FRAME	Sida Page		
Pos. Fig.	Antal/Quantity			Art nr Part No	Benämning	Description	Sats Kit	Anmärkning Notes
	2571							
X	1	1		1132-2004-01	Stödstag-hö	Axle support brkt-RH		
X	2	1		1132-2005-01	Stödstag-vä	Axle support brkt-LH		
X	3	2		1132-2012-01	Brytarplatta	Switch plate		
X	4	1		1132-2029-01	Lyftspak	Lift handle		
X	5	1		1132-2031-01	Lyftaxel	Lift shaft		
X	6	4		1811-2018-01	Skruv	Hex bolt		
X	7	4		1132-2038-01	Skruv	Screw		
	8	1		9987-5119-16	Skruv	Screw		
X	9	1		1811-2021-01	Skruv	Screw		
X	10	13		1811-2023-01	Skruv	Hex bolt		
	11	4		9988-3619-16	Skruv	Screw		
	12	1		9988-3645-16	Skruv	Screw		
	13	5		9743-3621-32	Mutter	Nut		
	14	2		9795-3531-02	Mutter	Nut		
X	15	1		1132-2066-01	Låsring	Lock ring		
X	16	1		1132-2080-01	Handtag	Grip		
X	17	1		1132-2119-01	Tryckfjäder	Comp spring		
X	18	1		1132-2129-01	Bandfjäder	Switch actuat. spring		
	19	2		9678-0008-02	Låsbricka	Lock washer		
	20	2		9683-0025-02	Låsbricka	Lock washer		
X	21	2		1132-2171-01	Flänslager	Flange bushing		
X	22	1		1132-2180-01	Batteribygel	Battery hold down rod		
X	23	1		1132-2188-01	Förbindning	Lift shaft connector		
X	24	1		1132-2222-01	Batterihylla	Battery tray		
X	25	1		1132-2223-01	Dragplatta	Hitch plate		
X	26	1		1132-2224-01	Nedre ram	Lower frame		
X	27	1		1132-2225-01	Ramplåt-vä	Frame side panel-LH		
X	28	1		1132-2226-01	Ramplåt-hö	Frame side panel-RH		
X	29	1		1132-2234-01	Fäste	Deck anti-sway brkt		
X	31	1		1134-5751-01	Batteri	Battery		



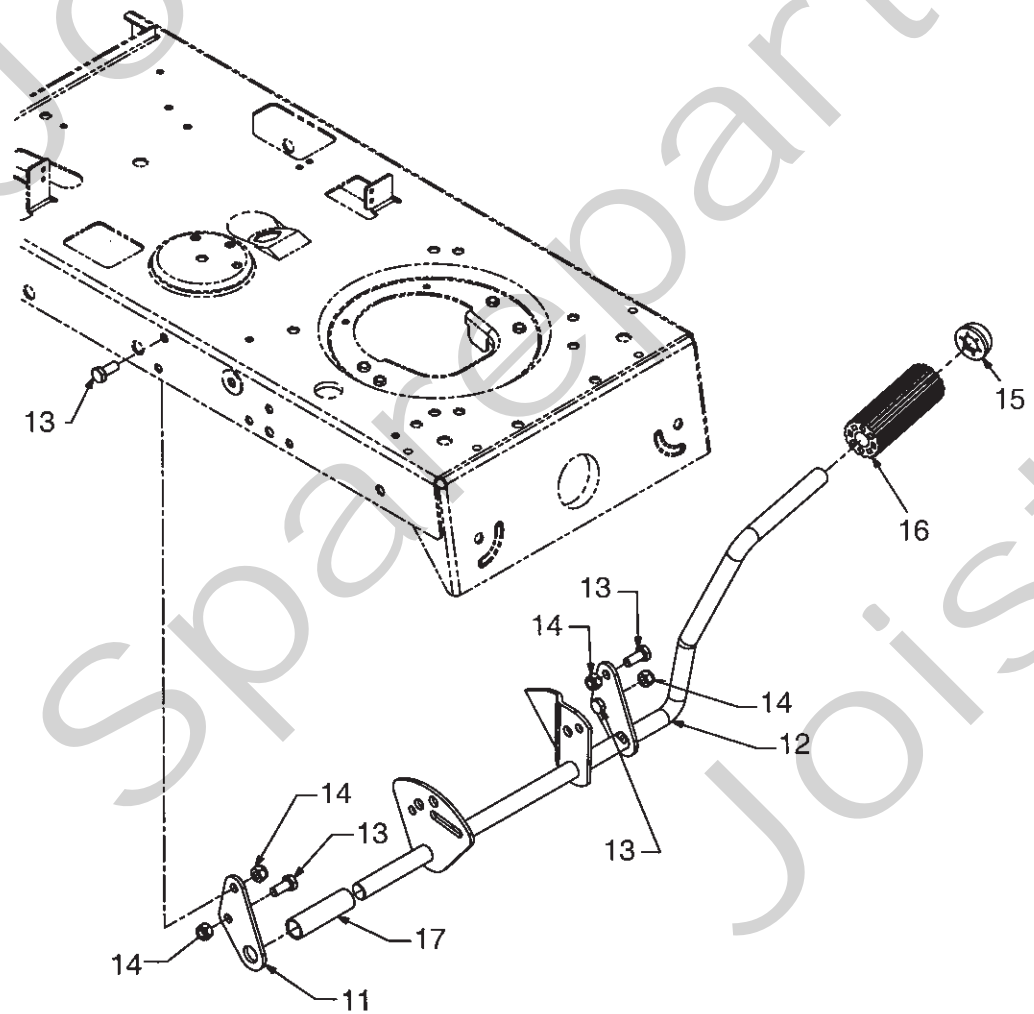
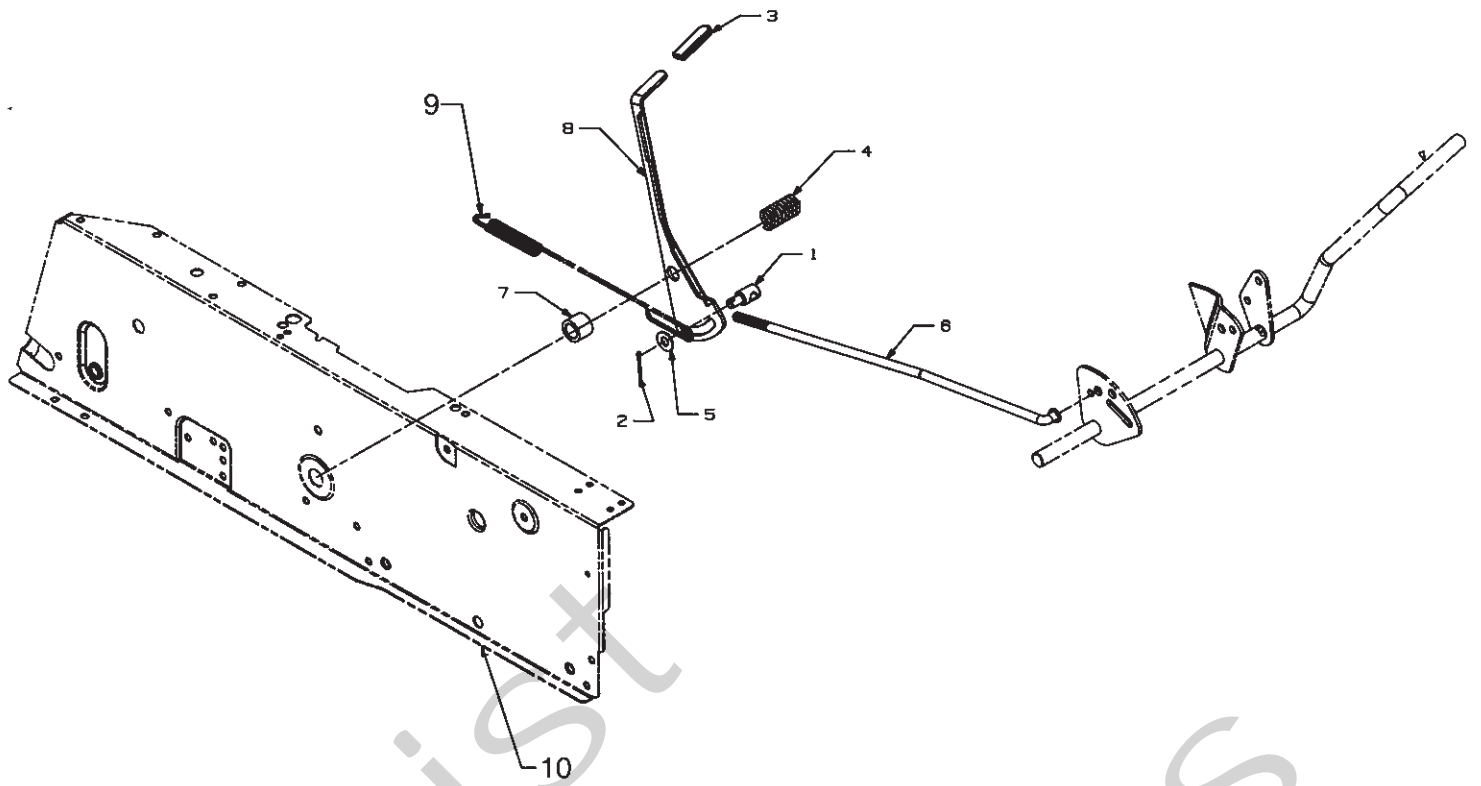
Utgåva Issue		Bildnr Picture No		SD 12,5/96 SKÅRM		SD 12,5/96 FENDER		Sida Page	
2005-13		1810						6	
Pos. Fig.	Antal/Quantity			Art nr Part No	Benämning	Description	Sats Kit	Anmärkning Notes	
		2571							
X	1	1		1132-2006-01	Fotplatta, hö- gul.....	Foot rest, RH- yellow.....			
X	1	1		1132-2006-02	Fotplatta, hö- röd	Foot rest, RH- red.....			
X	2	1		1132-2009-01	Bakskärm- gul.....	Fender- yellow.....			
X	2	1		1132-2009-02	Bakskärm- röd	Fender- red.....			
X	3	2		1811-2023-01	Skruv	Hex bolt.....			
	4	4		9988-3516-16	Skruv	Screw.....			
X	5	2		1132-2047-01	Skruv	Screw.....			
	6	6		9988-3619-16	Skruv	Screw.....			
	7	6		9743-3621-32	Mutter.....	Nut.....			
	8	4		9743-3521-32	Mutter.....	Nut.....			
X	9	2		1132-2196-01	Distans	Spacer.....			
X	10	1		1132-2231-01	Fotplatta, vä- gul	Foot rest, LH- yellow			
X	10	1		1132-2231-02	Fotplatta, vä- röd.....	Foot rest, LH- red.....			
X	21	1		1132-2084-01	Fotstegsmatta- hö	Foot rest pad- RH.....			
X	22	1		1132-2083-01	Fotstegsmatta- vä	Foot rest pad- LH.....			
X	31	2		1132-2037-01	Skruv	Screw.....			
X	32	2		1132-2038-01	Skruv	Screw.....			
X	33	1		1132-2091-01	Fjäderbrytare	Switch spring.....			
X	34	1		1132-2103-01	Isolerplatta.....	Insulator plate.....			
X	35	2		1132-2105-01	Mutter.....	Nut.....			
X	36	1		1132-2228-01	Växelplåt	Shift cover panel.....			



Utgåva Issue		Bildnr Picture No		SD 12,5/96 SITS		SD 12,5/96 SEAT		Sida Page	
2005- 13		1812						8	
Pos. Fig.	Antal/Quantity			Art nr Part No	Benämning	Description	Sats Kit	Anmärkning Notes	
	2571								
X 1	1			1132-2001-01	Fäste-sitslyft	Seat lift bracket			
X 2	1			1132-2010-01	Sitsfäste- hö.....	Seat support brkt- RH			
X 3	1			1132-2011-01	Sitsfäste- vä.....	Seat support brkt- LH			
X 4	2			1132-2037-01	Skruv	Screw			
X 5	4			1132-2023-01	Remskiva	Belt pulley			
X 6	2			9743-3621-32	Mutter	Nut			
X 7	1			1132-2087-01	Fjäderbrytare- yttre	Seat spr switch- outer			
X 8	1			1132-2090-01	Fjäderbrytare- inre	Seat spr switch- inner			
X 9	1			1132-2101-01	Isolerplatta.....	Insulator plate boss			
X 10	2			1132-2102-01	Isolerplatta.....	Insulator plate			
X 11	1			1132-2127-01	Fjäder.....	Spring			
X 12	2			1132-2156-01	Ansatskruv.....	Shoulder screw			
X 21	2			1132-2044-01	Skruv	Screw			
X 22	2			1132-2122-01	Tryckfjäder.....	Comp spring			
X 23	2			1132-2160-01	Ansatskruv.....	Spacer screw			
X 24	1			1132-2229-01	Sitsfäste.....	Seat pivot bracket			
X 25	1			1132-2215-01	Sits	Seat			

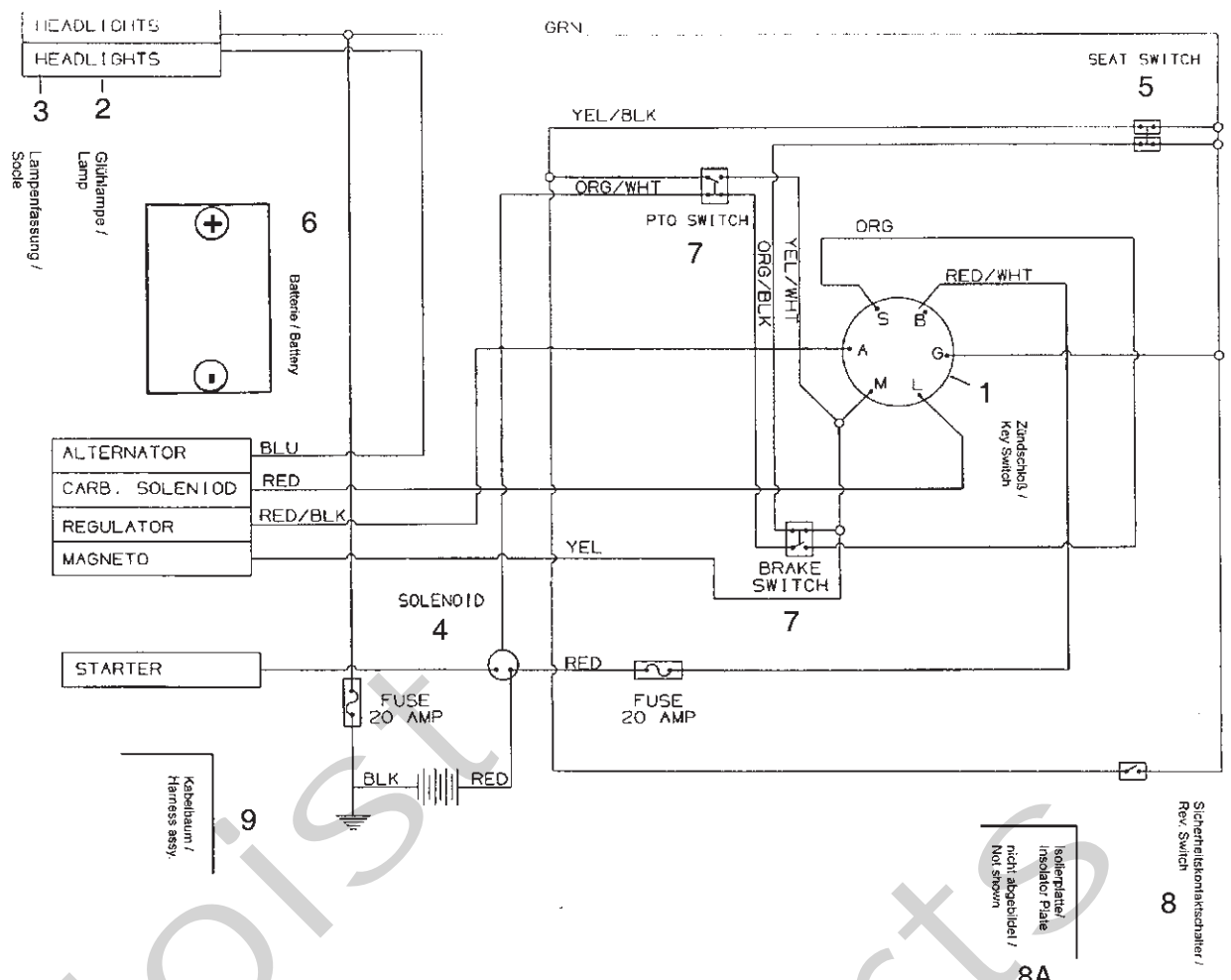


Utgåva Issue		Bildnr Picture No		SD 12,5/96 STYRNING		SD 12,5/96 STEERING		Sida Page	
2005- 13		1813						10	
Pos. Fig.	Antal/Quantity			Art nr Part No	Benämning	Description	Sats Kit	Anmärkning Notes	
		2571							
X	1	1		1132-2000-01	Hållare-sektordrev.....	Gear segm. plate ref.....			
X	2	1		1132-2025-01	Framaxel.....	Pivot bar.....			
	3	1		9988-3725-16	Skruv.....	Screw.....			
	4	1		9988-3625-16	Skruv.....	Screw.....			
X	5	4		1811-2023-01	Skruv.....	Hex bolt.....			
	6	1		9988-3638-12	Skruv.....	Screw.....			
	7	1		9931-3619-16	Skruv.....	Screw.....			
	8	1		9743-5321-32	Mutter.....	Nut.....			
	9	1		9743-5221-32	Mutter.....	Nut.....			
	10	1		9743-3621-32	Mutter.....	Nut.....			
	11	3		1132-0695-01	Mutter.....	Nut.....			
	12	2		9727-3641-22	Mutter.....	Nut.....			
	13	2		9599-0070-02	Saxsprint.....	Split pin.....			
X	14	1		1132-2073-01	Styrsektordrev.....	Steering segment gear.....			
X	16	1		1132-2085-01	Kulled.....	Ball joint.....			
X	17	1		1132-2097-01	Lock.....	Cap.....			
X	18	2		1132-2108-01	Skyddslock.....	Axle end cap.....			
X	19	1		1132-2135-01	Bricka.....	Washer.....			
X	20	1		1811-2062-01	Bricka.....	Bell washer.....			
X	21	1		1132-2148-01	Tallriksbricka.....	Washer.....			
X	23	1		1132-2155-01	Ansatsskruv.....	Shoulder screw.....			
X	24	2		1132-2162-01	Ansatsskruv.....	Shoulder screw.....			
X	25	1		1132-2163-01	Rattstång.....	Steering shaft.....			
X	26	1		1132-2170-01	Bussning.....	Bushing.....			
X	27	4		1132-2171-01	Flänslager.....	Flange bushing.....			
X	28	1		1132-2172-01	Flänslager.....	Hex flange bushing.....			
X	29	1		1132-2178-01	Styrstag.....	Tie rod.....			
X	30	1		1132-2186-01	Styrstag.....	Steering drag link.....			
X	31	1		1132-2187-01	Skyddslock.....	Cap.....			
X	32	1		1132-2189-01	Styrmarm.....	Steering arm.....			
X	33	1		1132-2190-01	Distans.....	Spacer.....			
X	34	1		1132-2197-01	Distansbricka.....	Spacer washer.....			
X	35	1		1132-2218-01	Framaxelfäste.....	Pivot bar bracket.....			
X	41	2		1132-2021-01	Framhjul kpl.....	Front wheel assy.....		15 x 6 x 6	
X	41 A	1		1132-2242-01	• Däck.....	• Tire.....			
X	41 B	1		1132-2241-01	• Fälg.....	• Rim.....			
X	41 C	1		9545-0500-00	• Ventil.....	• Valve.....			
X	42	1		1132-2027-01	Hjulspindel-vä.....	Wheel spindle-LH.....			
X	43	1		1132-2028-01	Hjulspindel-hö.....	Wheel spindle-RH.....			
	44	2		9599-0070-02	Saxsprint.....	Split pin.....			
X	45	2		1132-2134-01	Bricka.....	Washer.....			
X	46	2		1132-2140-01	Bricka.....	Washer.....			
X	47	2		1132-2113-01	Navkapsel.....	Hub cap.....			
X	51	1		1132-2020-01	Ratt.....	Steering wheel.....			
X	52	1		1132-2107-01	Rattlock.....	Steering wheel cap.....			



Utgåva Issue		Bildnr Picture No		SD 12,5/96 REGLAGE		SD 12,5/96 CONTROLS		Sida Page	
2005- 13		1818						12	
Pos. Fig.	Antal/Quantity			Art nr Part No	Benämning	Description	Sats Kit	Anmärkning Notes	
	2571								
X	1	1		1132-2054-01	Länk.....	Ferrule.....			
X	2	1		1132-2062-01	Saxpinne.....	Cotter pin			
X	3	1		1132-2081-01	Handtag	Shift handle grip.....			
X	4	1		1132-2120-01	Tryckfjäder	Comp spring			
X	5	1		1132-2141-01	Bricka	Washer.....			
X	6	1		1132-2181-01	Reglagestång.....	Speed control rod			
X	7	1		1132-2194-01	Distans	Spacer.....			
X	8	1		1132-2227-01	Växelspak	Speed select lever			
X	9	1		1132-2121-01	Dragfjäder.....	Extension spring			
X	10	1		1132-2226-01	Ramplåt- hö	Frame side panel- RH			
X	11	1		1132-2008-01	Pedalfäste.....	Pedal mounting brkt.....			
X	12	1		1132-2026-01	Koppling/bromspedal	Clutch/brake pedal			
	13	4		9988-3619-16	Skruv	Screw			
	14	4		9743-3621-32	Mutter.....	Nut.....			
X	15	1		1132-2097-01	Lock.....	Cap.....			
X	16	1		1132-2133-01	Pedalgummi	Foot pad.....			
X	17	1		1132-2199-01	Distans	Spacer.....			

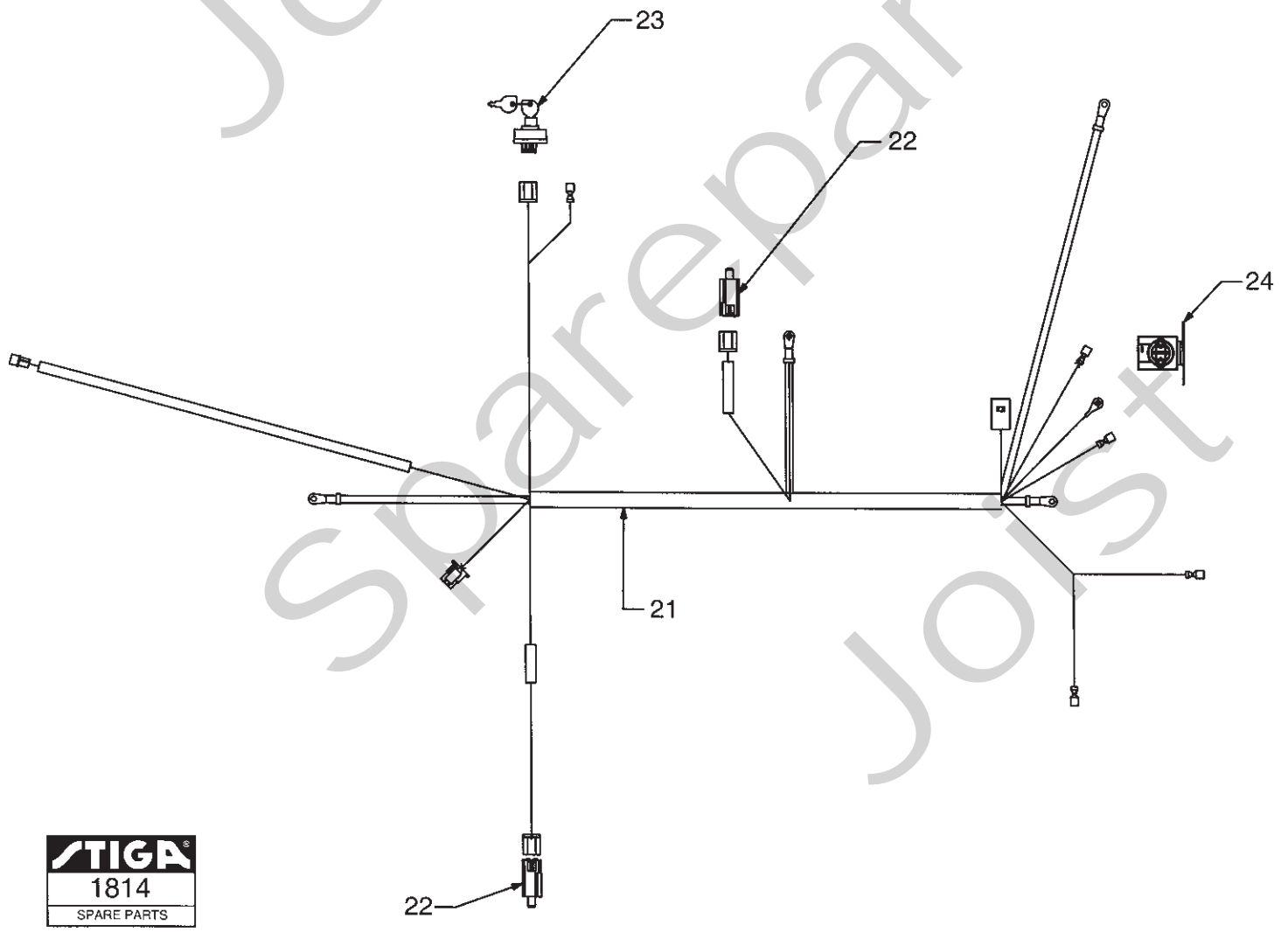
Scheinwerfer-Kabelbaum /
Headlamp Harness
10



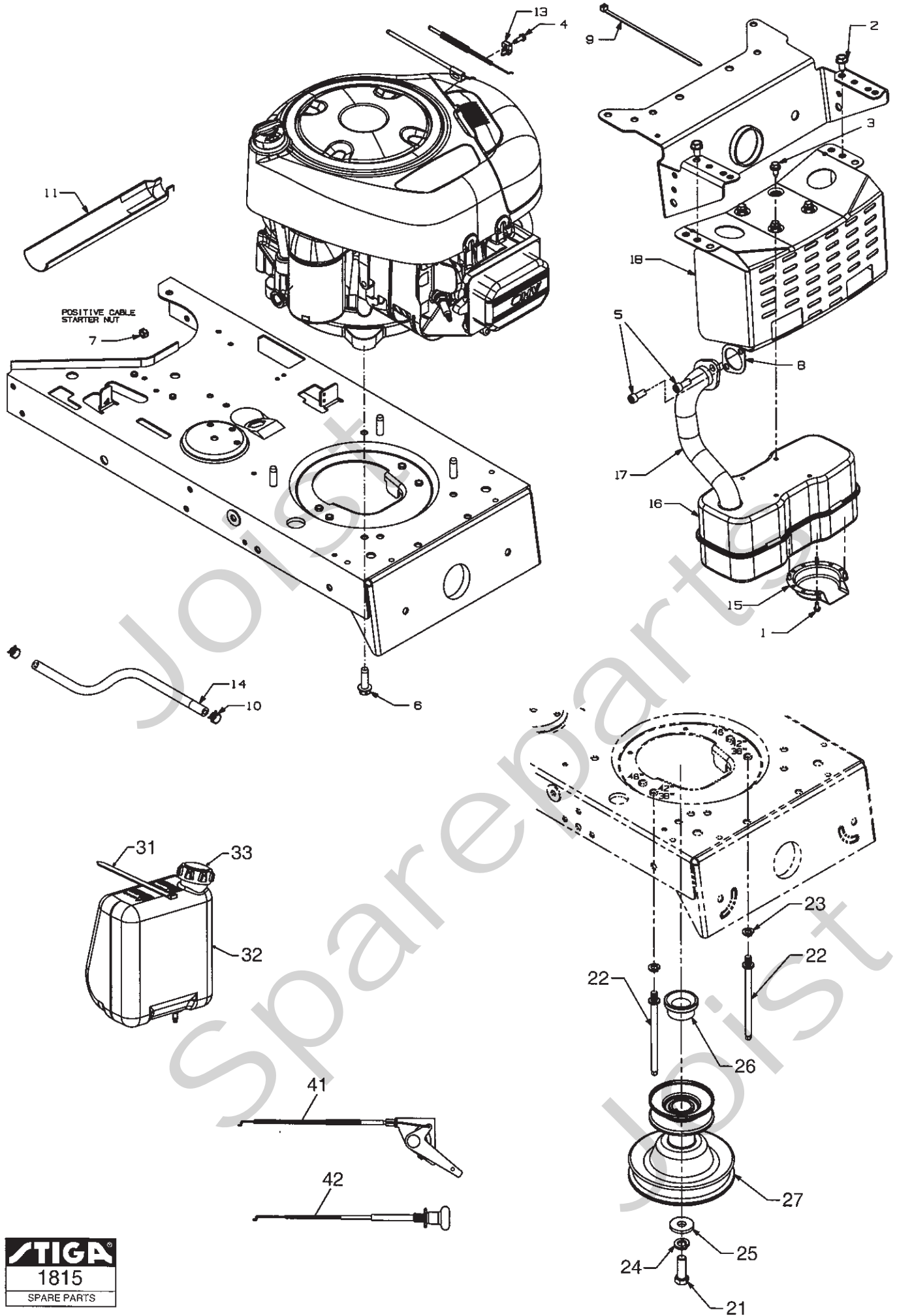
Kabelbaum /
Harness assy.
9

Isolierblech /
insulator plate
nicht abheben! /
Not remove!
8A

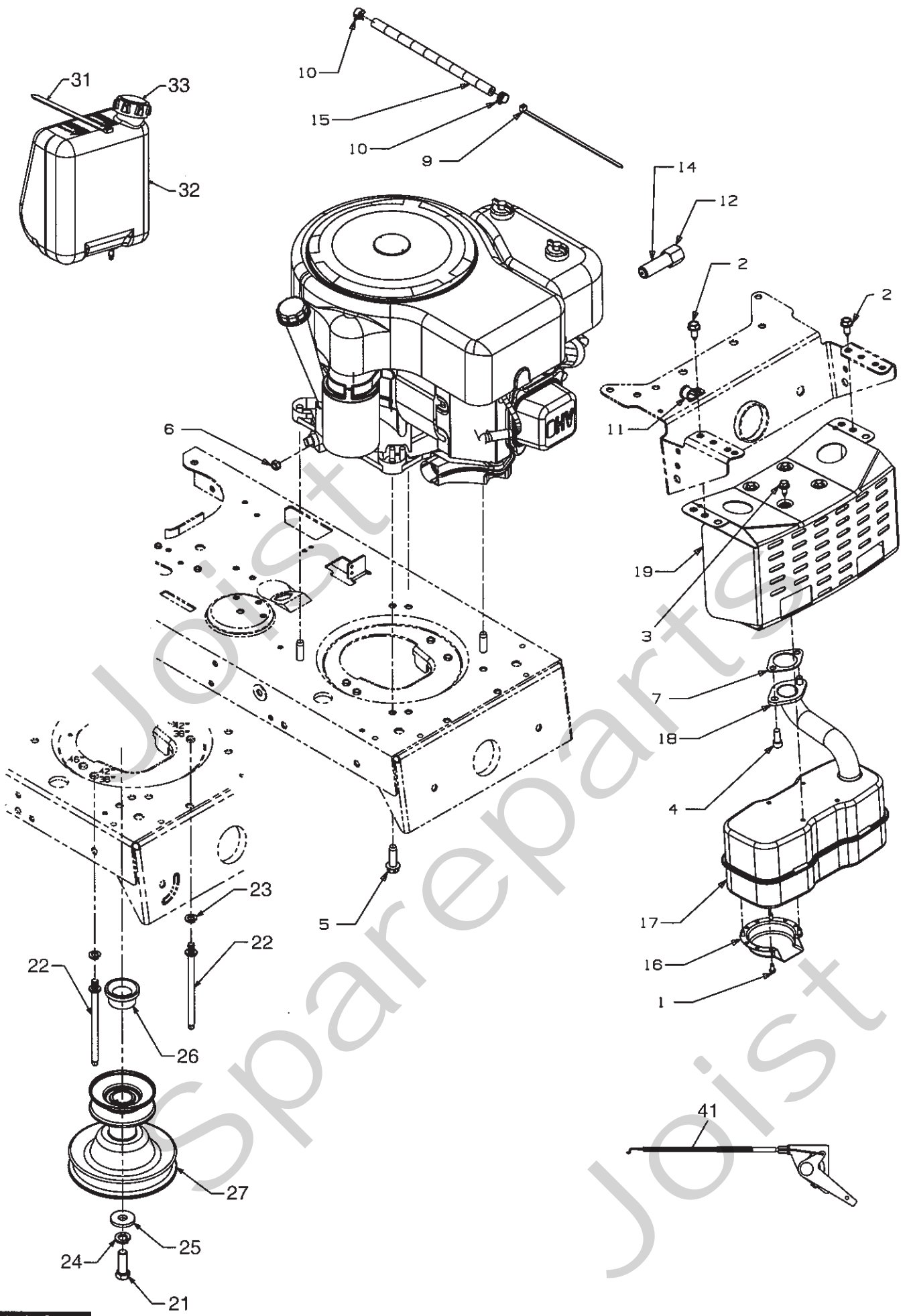
Sicherheitskontaktschalter /
Rev. Switch
8



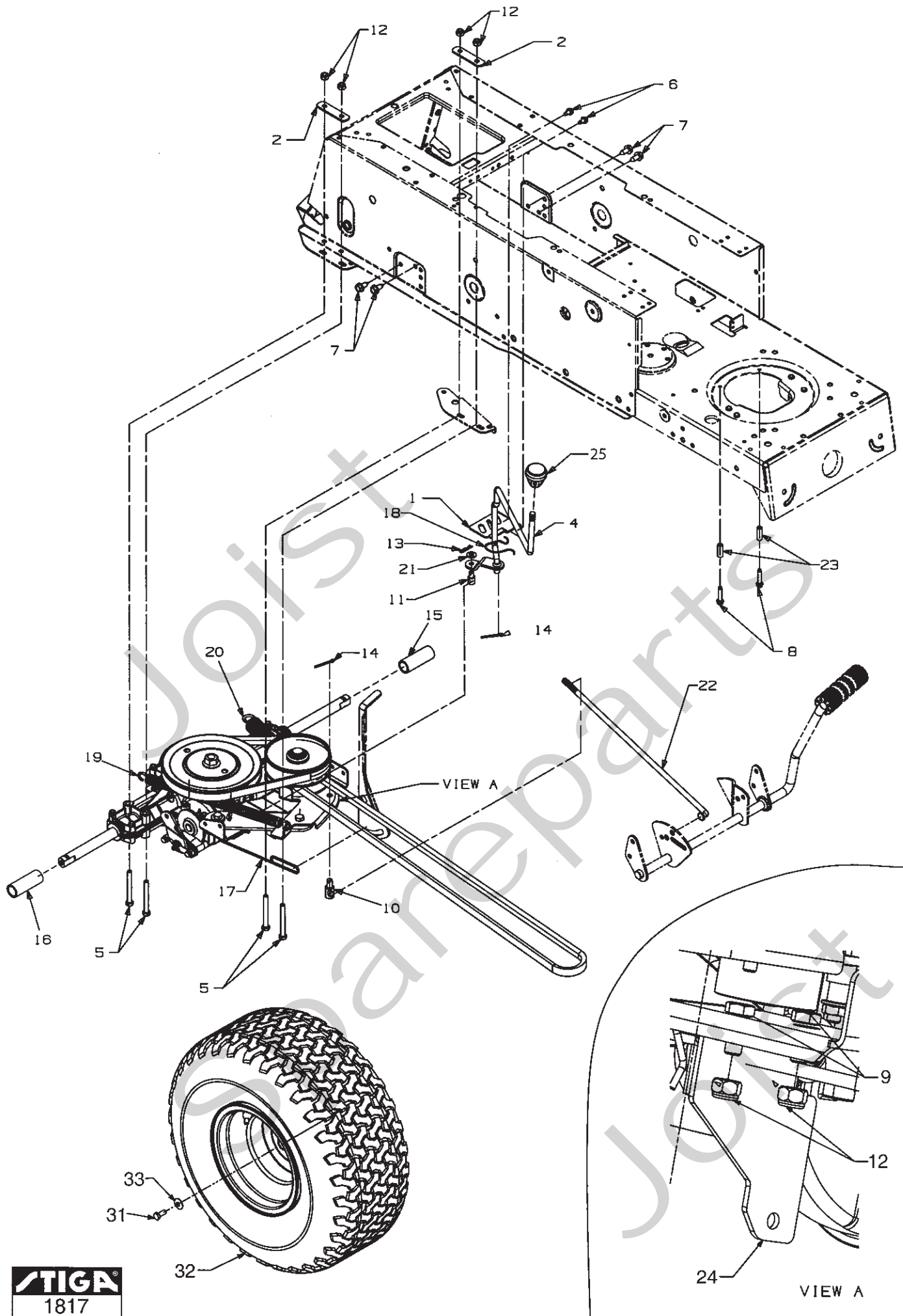
Utgåva Issue		Bildnr Picture No		SD 12,5/96 ELSYSTEM		SD 12,5/96 EL. SYSTEM		Sida Page	
2005- 13		1814						14	
Pos. Fig.	Antal/Quantity			Art nr Part No	Benämning	Description	Sats Kit	Anmärkning Notes	
	2571								
X	1	1		1132-2088-01	Tändningslås kpl.....	Ignition switch assy			
X	1A	2		1132-2239-01	• Tändningsnyckel.....	• Ignition key			
X	2	2		9400-0293-01	Glödlampa	Bulb			
X	3	2		1132-2092-01	Lampsockel	Lampholder			
X	4	1		1132-2089-01	Solenoid	Solenoid			
X	5	1		1132-2093-01	Brytare	Safety switch			
X	6	1		1134-5751-01	Batteri	Battery			
X	7	2		1132-2086-01	Brytare	Switch			
X	8	1		1132-2091-01	Fjäderbrytare	Switch spring			
X	8A	1		1132-2103-01	Isolerplatta.....	Insulator plate			
X	9	1		1132-2017-01	Kablage.....	Harness			
X	10	1		1132-2018-01	Kablage- strålkastare	Harness- headlamp			
X	21	1		1132-2017-01	Kablage.....	Harness			
X	22	2		1132-2086-01	Brytare	Switch			
X	23	1		1132-2088-01	Tändningslås kpl.....	Ignition switch assy			
X	23A	1		1132-2239-01	• Tändningsnyckel.....	• Ignition key			
X	24	1		1132-2089-01	Solenoid	Solenoid			



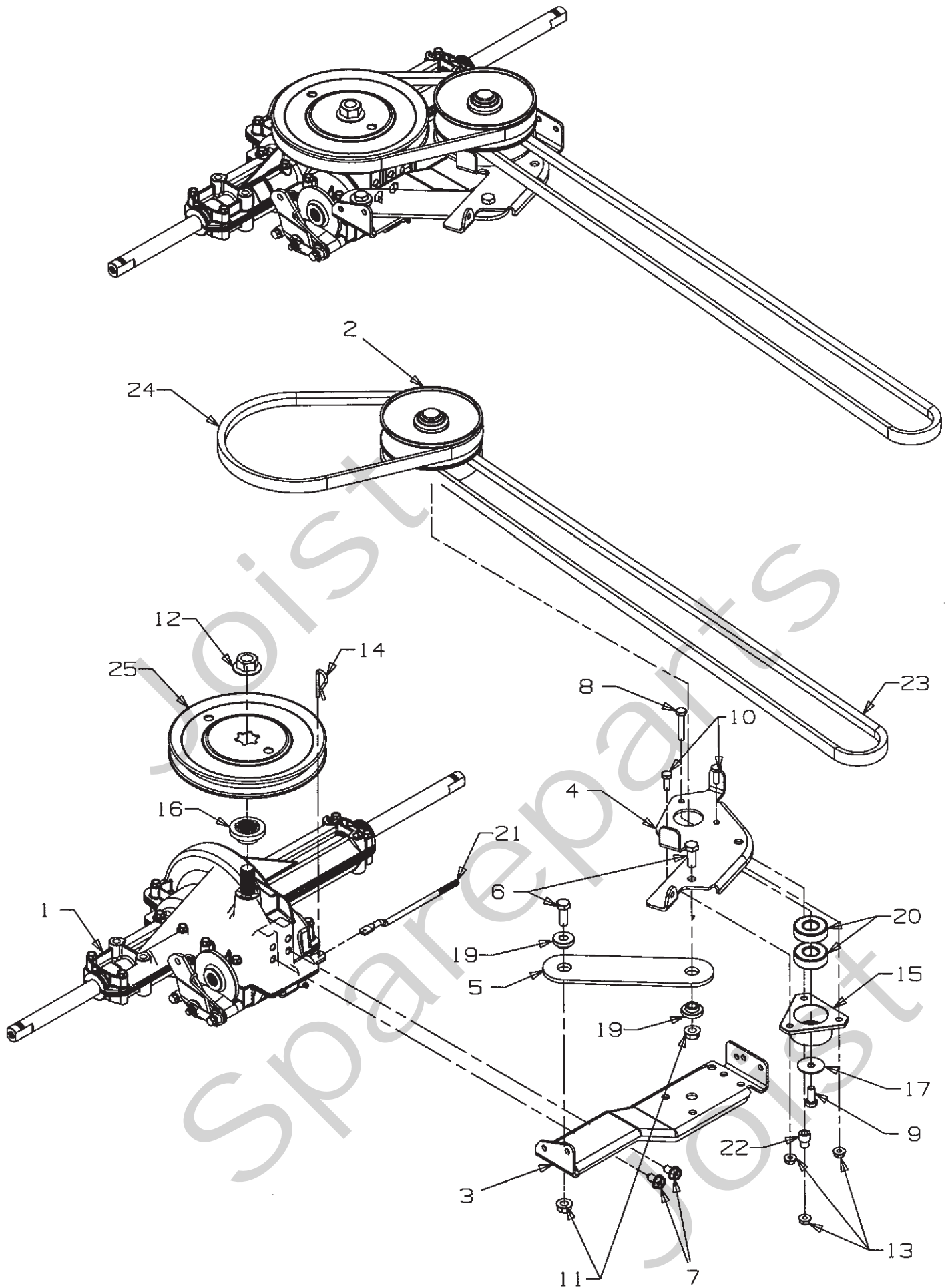
Utgåva Issue 2005-13		Bildnr Picture No 1815		SD 12,5/96 MOTOR (Briggs & Stratton)		SD 12,5/96 ENGINE (Briggs & Stratton)		Sida Page 16	
Pos. Fig.	Antal/Quantity			Art nr Part No	Benämning	Description	Sats Kit	Anmärkning Notes	
	2571								
X	1	4		1132-2036-01	Skruv	Screw			
X	2	2		1811-2023-01	Skruv	Hex bolt			
X	3	4		1132-2045-01	Skruv	Screw			
X	4	1		1132-2048-01	Skruv	Screw			
	5	2		9931-3619-16	Skruv	Screw			
	6	4		9955-3732-12	Skruv	Screw			
	7	1		9795-3531-02	Mutter	Nut			
	8	1		1134-0433-00	Ljuddämparpackning	Muffler gasket			
	9	1		9579-0008-00	Buntband	Cable holder			
X	10	2		1132-2096-01	Slangklämma	Hose clamp			
X	11	1		1132-2118-01	Oljeavtappningsrännna	Oil drain sleeve			
	13	1		213146	Klämma	Clamp			
X	14	1		1132-2202-01	Bränsleslang	Fuel hose			
X	15	1		1132-2204-01	Deflektor	Muffler deflector			
X	16	1		1132-2206-01	Ljuddämpare	Muffler			
X	17	1		1132-2208-01	Avgasrör	Exhaust tube			
X	18	1		1132-2238-01	Ljuddämparskydd	Muffler heat shield			
	21	1		9987-5332-16	Skruv	Screw			
X	22	2		1132-2056-01	Remstyrning	Belt keeper pin			
	23	2		9683-0030-02	Låsbricka	Lock washer			
	24	1		9683-0045-02	Bricka	Washer			
X	25	1		1132-2142-01	Bricka	Washer			
X	26	1		1132-2200-01	Distans	Spacer			
X	27	1		1132-2213-01	Motorremskiva	Engine belt pulley			
X	31	1		1132-2098-01	Buntband	Cable tie			
X	32	1		1132-2203-01	Bränsletank	Fuel tank			
X	33	1		1132-2205-01	Tanklock	Fuel tank cap			
X	41	1		1132-2176-01	Gasreglage	Throttle cable			
X	42	1		1132-2177-01	Chokereglage	Choke cable			



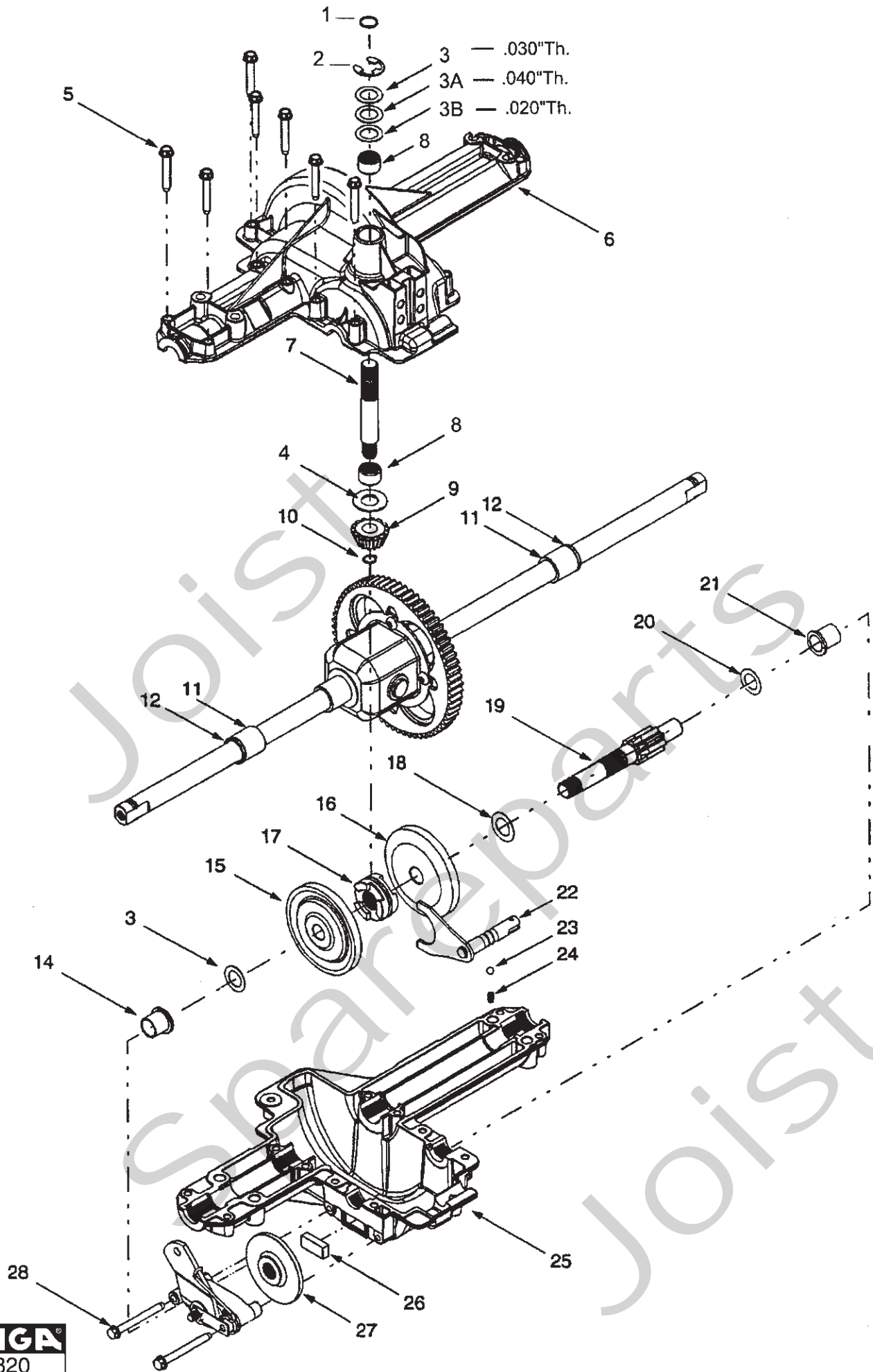
Utgåva Issue 2005-13		Bildnr Picture No 1816		SD 12,5/96 MOTOR (Tecumseh)		SD 12,5/96 ENGINE (Tecumseh)		Sida Page 18	
Pos. Fig.	Antal/Quantity			Art nr Part No	Benämning	Description	Sats Kit	Anmärkning Notes	
	2571								
X	1	4		1132-2036-01	Skruv	Screw			
X	2	2		1811-2023-01	Skruv	Hex bolt			
X	3	4		1132-2045-01	Skruv	Screw			
	4	2		9931-3619-16	Skruv	Screw			
	5	4		9955-3732-12	Skruv	Screw			
	6	1		9795-3531-02	Mutter	Nut			
	7	1		1134-0433-00	Ljuddämparpackning	Muffler gasket			
	9	1		9579-0008-00	Buntband	Cable holder			
X	10	2		1132-2096-01	Slangklämma	Hose clamp			
X	11	1		1132-2100-01	Kabelklämma	Cable clamp			
X	12	1		1132-2153-01	Oljeavtappningsplugg	Oil drain plug			
X	14	1		1132-2154-01	Oljeavtappningsrör	Oil drain tube			
X	15	1		1132-2202-01	Bränsleslang	Fuel hose			
X	16	1		1132-2204-01	Deflektor	Muffler deflector			
X	17	1		1132-2206-01	Ljuddämpare	Muffler			
X	18	1		1132-2207-01	Avgasrör	Exhaust pipe			
X	19	1		1132-2238-01	Ljuddämparskydd	Muffler heat shield			
	21	1		9987-5332-16	Skruv	Screw			
X	22	2		1132-2056-01	Remstyrning	Belt keeper pin			
	23	2		9683-0030-02	Låsbricka	Lock washer			
	24	1		9683-0045-02	Bricka	Washer			
X	25	1		1132-2142-01	Bricka	Washer			
X	26	1		1132-2200-01	Distans	Spacer			
X	27	1		1132-2213-01	Motorremskiva	Engine belt pulley			
X	31	1		1132-2098-01	Buntband	Cable tie			
X	32	1		1132-2203-01	Bränsletank	Fuel tank			
X	33	1		1132-2205-01	Tanklock	Fuel tank cap			
X	41	1		1132-2175-01	Gasreglage	Throttle cable			



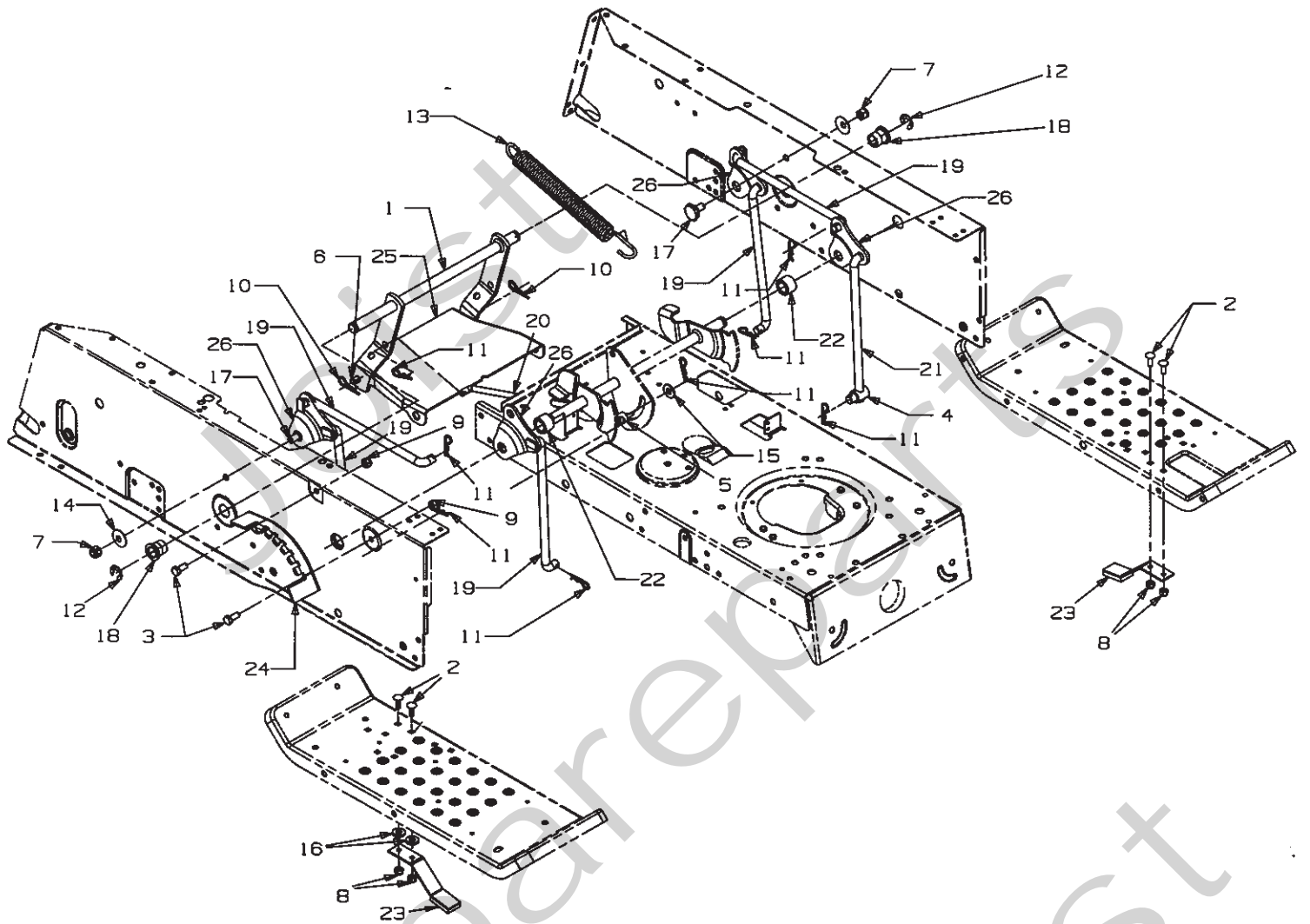
Utgåva Issue		Bildnr Picture No		SD 12,5/96 TRANSMISSION		SD 12,5/96 TRANSMISSION		Sida Page	
2005-13		1817						20	
Pos. Fig.	Antal/Quantity			Art nr Part No	Benämning	Description	Sats Kit	Anmärkning Notes	
	2571								
X	1	1		1132-2002-01	Fäste	Bracket			
X	2	2		1132-2007-01	Monteringsplatta	Mounting bracket			
X	4	1		1132-2022-01	Växelspak	Shift lever			
	5	4		9988-3670-12	Skruv	Screw			
X	6	2		1132-2038-01	Skruv	Screw			
X	7	4		1811-2023-01	Skruv	Hex bolt			
X	8	2		1811-2024-01	Skruv	Screw			
	9	2		9988-3619-16	Skruv	Screw			
X	10	1		1132-2054-01	Länk	Ferrule			
X	11	1		1132-2055-01	Länk	Ferrule			
	12	6		9743-3621-32	Mutter	Nut			
	13	1		9599-0036-02	Saxsprint	Split pin			
	14	2		9599-0070-02	Saxsprint	Split pin			
X	15	1		1132-2111-01	Hylsa-vä	Sleeve-LH			
X	16	1		1132-2112-01	Hylsa-hö	Sleeve-RH			
X	17	1		1132-2121-01	Dragfjäder	Extension spring			
X	18	1		1132-2124-01	Fjäderklämma	Spring clip			
X	19	1		1132-2125-01	Dragfjäder	Extension spring			
X	20	1		1132-2126-01	Dragfjäder	Extension spring			
X	21	1		1132-2139-01	Bricka	Washer			
X	22	1		1132-2183-01	Reglagestång	Speed control rod			
X	23	2		1132-2198-01	Distans	Spacer			
X	24	1		1132-2237-01	Plåt	Plate			
X	25	1		1132-2079-01	Reglageknopp	Shift knob			
	31	2		9987-5119-16	Skruv	Screw			
X	32	2		1132-2132-01	Hjul kpl	Wheel assy		20 x 8.00 - 8	
X	32A	1		1132-2243-01	• Däck	• Tire			
X	32B	1		1132-2240-01	• Fälg	• Rim			
X	32C	1		9545-0500-00	• Ventil	• Valve			
X	33	2		1811-2062-01	Bricka	Bell washer			



Utgåva Issue		Bildnr Picture No		SD 12,5/96 TRANSMISSION		SD 12,5/96 TRANSMISSION		Sida Page	
2005-13		1819						22	
Pos. Fig.	Antal/Quantity			Art nr Part No	Benämning	Description	Sats Kit	Anmärkning Notes	
	2571								
X	1	1		1132-2015-01	Transaxel kpl.....	Transaxle assy.....			
X	2	1		1132-2023-01	Remskiva.....	Belt pulley.....			
X	3	1		1132-2032-01	Tvärstag.....	Torque bracket.....			
X	4	1		1132-2033-01	Remskivsfäste.....	Speed bracket.....			
X	5	1		1132-2034-01	Länkarm.....	Speed bracket.....			
	6	2		9988-3725-16	Skruv.....	Screw.....			
X	7	2		1132-2039-01	Skruv.....	Screw.....			
X	8	1		1132-2040-01	Skruv.....	Screw.....			
	9	1		9987-5119-16	Skruv.....	Screw.....			
	10	2		9988-3519-16	Skruv.....	Screw.....			
	11	2		1132-0695-01	Mutter.....	Nut.....			
X	12	1		1132-2061-01	Flänsmutter.....	Flange nut.....			
	13	3		9743-3521-32	Mutter.....	Nut.....			
X	14	1		1132-2064-01	Låsnål.....	Hair pin.....			
X	15	1		1132-2075-01	Lagerhållare.....	Bearing cup.....			
X	16	1		1132-2076-01	Remskivnav.....	Pulley hub.....			
X	17	1		1132-2149-01	Bricka.....	Washer.....			
X	19	2		1132-2158-01	Distans.....	Shoulder spacer.....			
	20	2		9549-0019-00	Kullager.....	Ball bearing.....			
X	21	1		1132-2185-01	Växeltång.....	Shift rod.....			
X	22	1		1132-2195-01	Distans.....	Stepped spacer.....			
X	23	1		1132-2210-01	Drivrem.....	Belt.....			
X	24	1		1132-2211-01	Drivrem.....	Belt.....			
X	25	1		1132-2212-01	Remskiva.....	Transmission pulley.....			

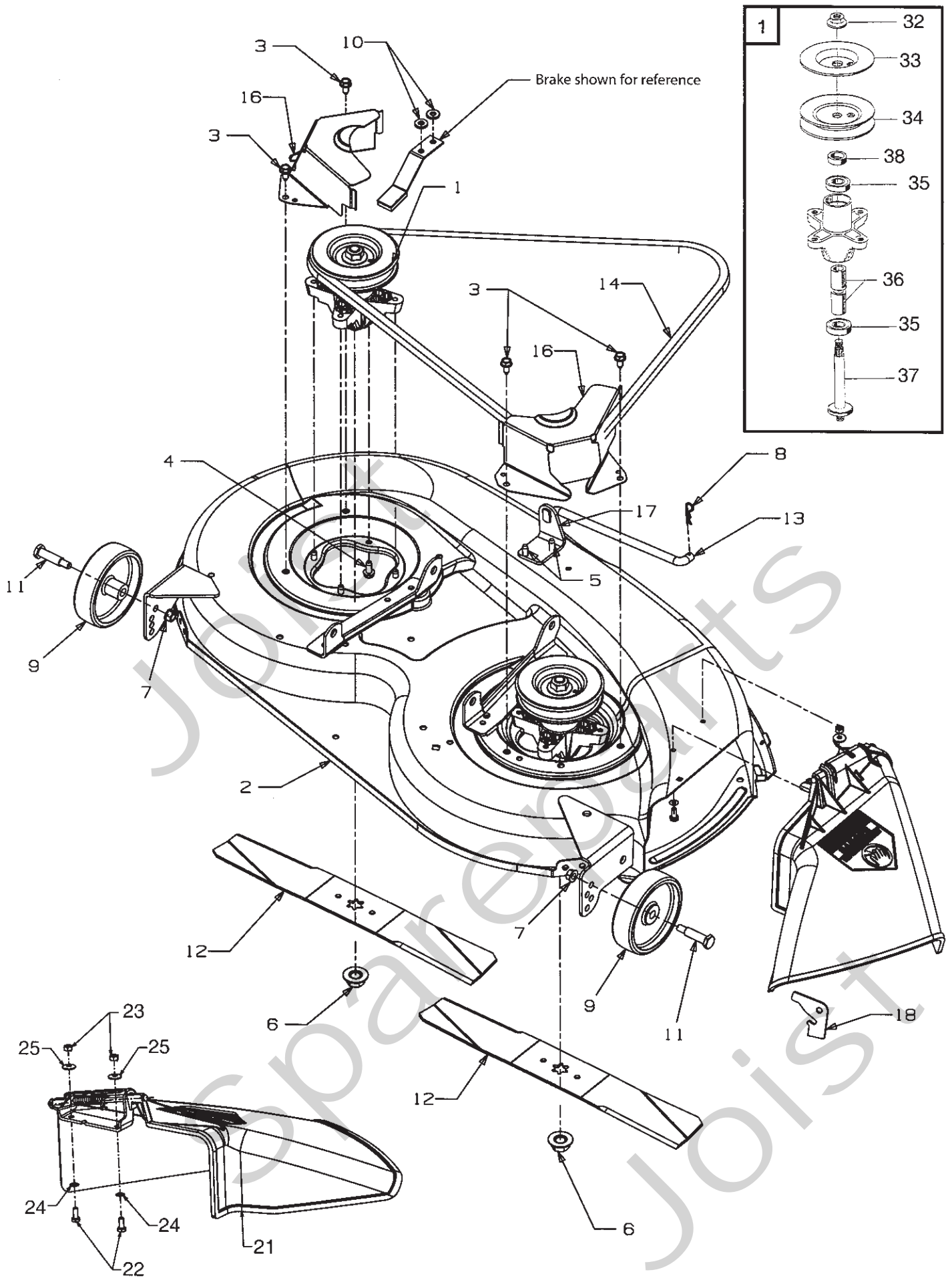


Utgåva Issue		Bildnr Picture No		SD 12,5/96 TRANSAXEL	SD 12,5/96 TRANSAXLE	Sida Page		
2005-13		1820				24		
Pos. Fig.	Antal/Quantity			Art nr Part No	Benämning	Description	Sats Kit	Anmärkning Notes
	2571							
X 0	1			1132-2015-01	Transaxel kpl.....	Transaxle assy.....		
X 1	1			1132-2128-01	Ring.....	Ring.....		
X 2	1			1132-2068-01	Låsring.....	E-ring.....		
X 3	1			1132-2145-01	Planbricka.....	Flat washer.....		0.030"
X 3A	1			1132-2146-01	Planbricka.....	Flat washer.....		0.040"
X 3B	1			1132-2147-01	Planbricka.....	Flat washer.....		0.020"
X 4	1			1132-2144-01	Bricka.....	Thrust washer.....		
X 5	13			1132-2050-01	Skruv.....	Screw.....		
X 6	1			1132-2077-01	Hus- övre.....	Housing- upper.....		
X 7	1			1132-2057-01	Ingående axel.....	Input shaft.....		
X 8	2			1132-2166-01	Nållager.....	Needle bearing.....		
X 9	1			1132-2072-01	Drev.....	Bevel pinion.....	14T	
X 10	1			1132-2067-01	Låsring.....	Retainer ring.....		
X 11	2			1132-2169-01	Lagerhylsa.....	Sleeve bearing.....		
X 12	2			1132-2082-01	Tätning.....	Seal.....		
X 14	1			1132-2167-01	Flänslager.....	Flange bearing.....		
X 15	1			1132-2070-01	Drev.....	Bevel gear.....	42T	
X 16	1			1132-2071-01	Drev.....	Bevel gear.....	42T	
X 17	1			1132-2074-01	Kopplingshylsa.....	Clutch collar.....		
X 18	1			1132-2151-01	Planbricka.....	Flat washer.....		
X 19	1			1132-2053-01	Drivaxel.....	Drive shaft.....		
X 20	1			1132-2150-01	Bricka.....	Thrust washer.....		
X 21	1			1132-2168-01	Flänslager.....	Flange bearing.....		
X 22	1			1132-2013-01	Regleraxel.....	Detent shaft.....		
X 23	1			1132-2173-01	Kula.....	Detent ball.....		
X 24	1			1132-2130-01	Tryckfjäder.....	Comp spring.....		
X 25	1			1132-2078-01	Hus- nedre.....	Housing- lower.....		
X 26	1			1132-2069-01	Bromsbelägg.....	Brake puck.....		
X 27	1			1132-2217-01	Bromsskiva.....	Brake disc.....		
X 28	2			1132-2046-01	Skruv.....	Screw.....		



Utgåva Issue 2005- 13	Bildnr Picture No 1821	SD 12,5/96 AGGREGATSUPPHÄNGNING	SD 12,5/96 MOWER DECK SUSPENSION	Sida Page 26
-----------------------------	------------------------------	------------------------------------	-------------------------------------	--------------------

Pos. Fig.	Antal/Quantity				Art nr Part No	Benämning	Description	Sats Kit	Anmärkning Notes
	2571								
X	1	1			1132-2030-01	Stödaxel.....	Stabilizer shaft		
X	2	4			1132-2042-01	Vagnsbult	Carriage bolt		
	3	2			9988-3619-16	Skruv	Screw		
X	4	1			1132-2052-01	Länk.....	Ferrule		
X	5	1			1132-2054-01	Länk.....	Ferrule		
X	6	2			1132-2058-01	Bult	Bolt		
	7	2			9743-3721-32	Mutter.....	Nut		
	8	4			9743-3521-32	Mutter.....	Nut		
	9	2			9743-3621-32	Mutter.....	Nut		
X	10	2			1132-2063-01	Låsnål.....	Hair pin		
X	11	8			1132-2065-01	Låsnål.....	Hair pin		
X	12	2			1132-2066-01	Låsring	Lock ring		
X	13	1			1132-2123-01	Dragfjäder.....	Extension spring		
X	14	2			1132-2136-01	Bricka.....	Bell washer		
X	15	1			1132-2137-01	Bricka.....	Washer.....		
X	16	2			1132-2152-01	Bricka.....	Washer.....		
X	17	2			1132-2157-01	Ansatsbult	Shoulder bolt		
X	18	2			1132-2171-01	Flänslager	Flange bushing.....		
X	19	5			1132-2179-01	Upphångningslänk.....	Deck hanger link		
X	20	1			1132-2182-01	Aggr.urkopplingsstång	Deck disengagem. rod		
X	21	1			1132-2184-01	Upphångningslänk.....	Deck hanger link		
X	22	2			1132-2191-01	Distans	Spacer.....		
X	23	2			1132-2216-01	Knivbroms	Blade brake		
X	24	1			1132-2230-01	Höjdställn.segment.....	Lift index bracket		
X	25	1			1132-2235-01	Stödaxelfäste	Deck stabilizer brkt.....		
X	26	4			1132-2236-01	Lyftlänk.....	Lift link.....		



Utgåva Issue		Bildnr Picture No		SD 12,5/96 KLIPPAGGREGAT		SD 12,5/96 MOWER DECK		Sida Page	
2005-13		1822						28	
Pos. Fig.	Antal/Quantity			Art nr Part No	Benämning	Description	Sats Kit	Anmärkning Notes	
	2571								
X 1	2			1132-2014-01	Lagerbox kpl.....	Blade spindle assy.....		Inkl. pos 32 - 38 Standard Tillbehör/accessory	
X 2	1			1132-2035-01	Klippaggregatskåpa.....	Mower deck casing.....			
X 3	4			1811-2023-01	Skruv.....	Hex bolt.....			
X 4	8			1132-2049-01	Skruv.....	Screw.....			
X 5	2			1132-2051-01	Skruv.....	Screw.....			
X 6	2			1132-2060-01	Mutter.....	Nut.....			
X 7	2			1132-0695-01	Mutter.....	Nut.....			
X 8	1			1132-2065-01	Låsnål.....	Hair pin.....			
X 9	2			1132-2131-01	Stödhjul.....	Wheel.....			
X 10	2			1132-2152-01	Bricka.....	Washer.....			
X 11	2			1132-2159-01	Ansatskruv.....	Shoulder screw.....			
X 12	2			1132-2174-01	Kniv.....	Blade.....			
X 12	2			1132-2271-01	Kniv (high lift).....	Blade (high lift).....			
X 13	1			1132-2179-01	Upphångningslänk.....	Deck hanger link.....			
X 14	1			1132-2209-01	Drivrem.....	Belt.....			
X 16	2			1132-2232-01	Remskydd.....	Belt guard.....			
X 17	1			1132-2233-01	Fäste.....	Bracket.....			
X 18	1			1132-2143-01	Utkaststopp.....	Deflector stop.....			
X 21	1			1132-2019-01	Utkastskärm.....	Deflector.....			
X 22	2			9988-3516-16	Skruv.....	Screw.....			
X 23	2			9795-3531-02	Mutter.....	Nut.....			
X 24	2			1132-2099-01	Bricka.....	Washer.....			
X 25	2			1132-2138-01	Fjäderbricka.....	Spring washer.....			
X 32	1			1132-2060-01	• Mutter.....	• Nut.....			
X 33	1			1132-2221-01	• Bromsskiva.....	• Brake disc.....			
X 34	1			1132-2214-01	• Remskiva.....	• Pulley.....			
X 35	2			9549-0027-00	• Kullager.....	• Ball bearing.....			
X 36	2			1132-2201-01	• Distans.....	• Spacer.....			
X 37	1			1132-2164-01	• Knivaxel.....	• Spindle shaft.....			
X 38	1			1132-2192-01	• Distans.....	• Spacer.....			