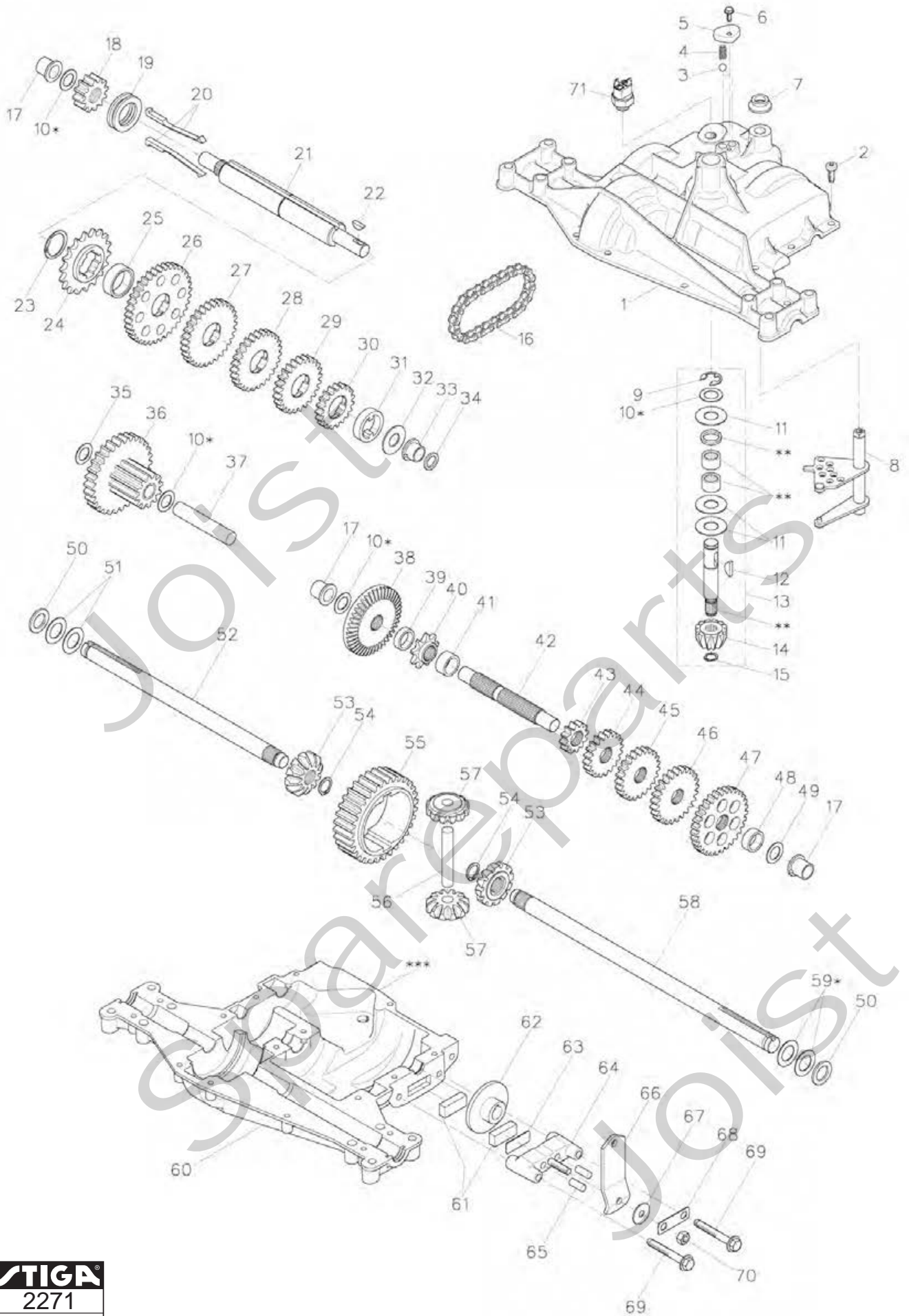


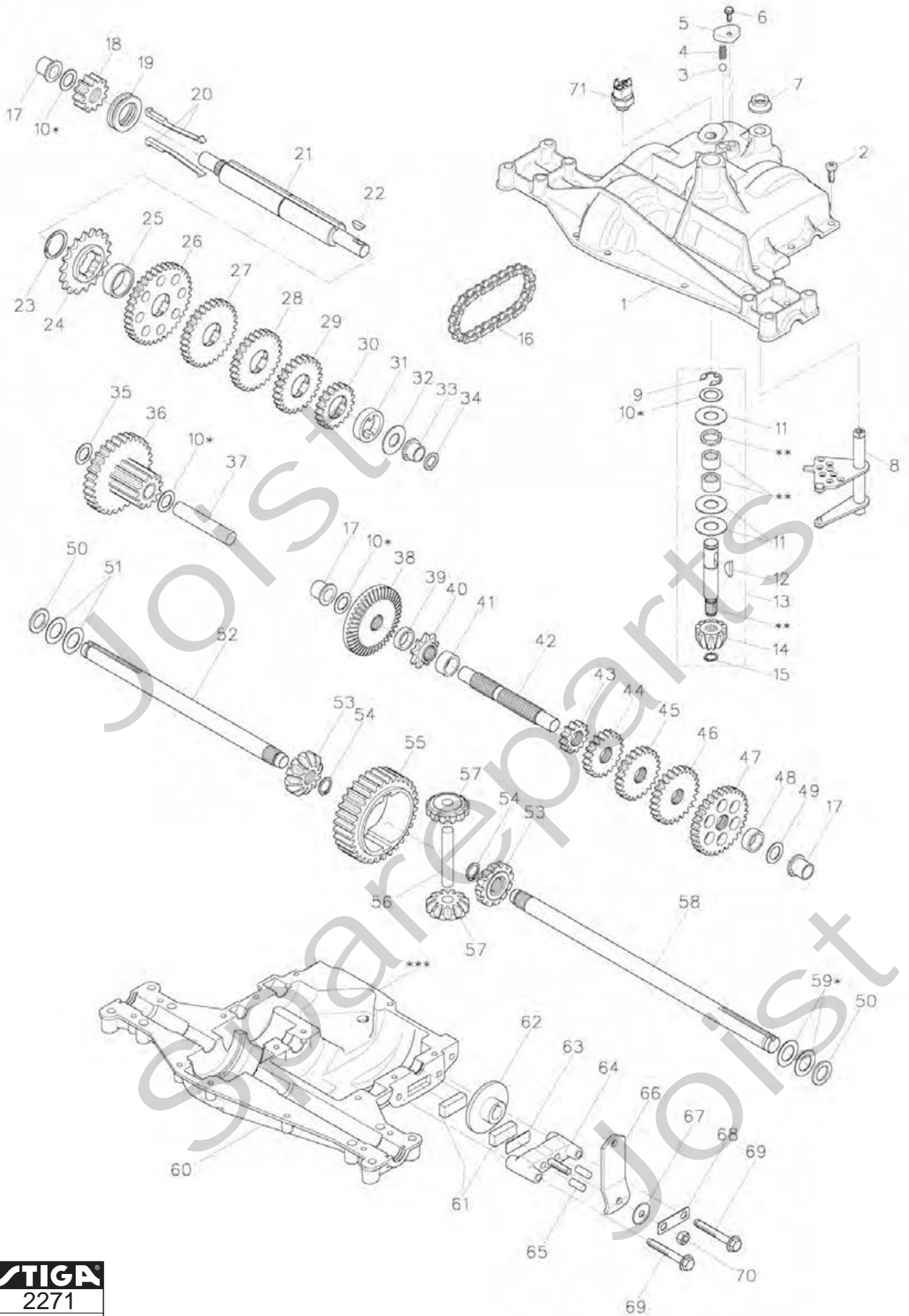
Genuine Spare Parts



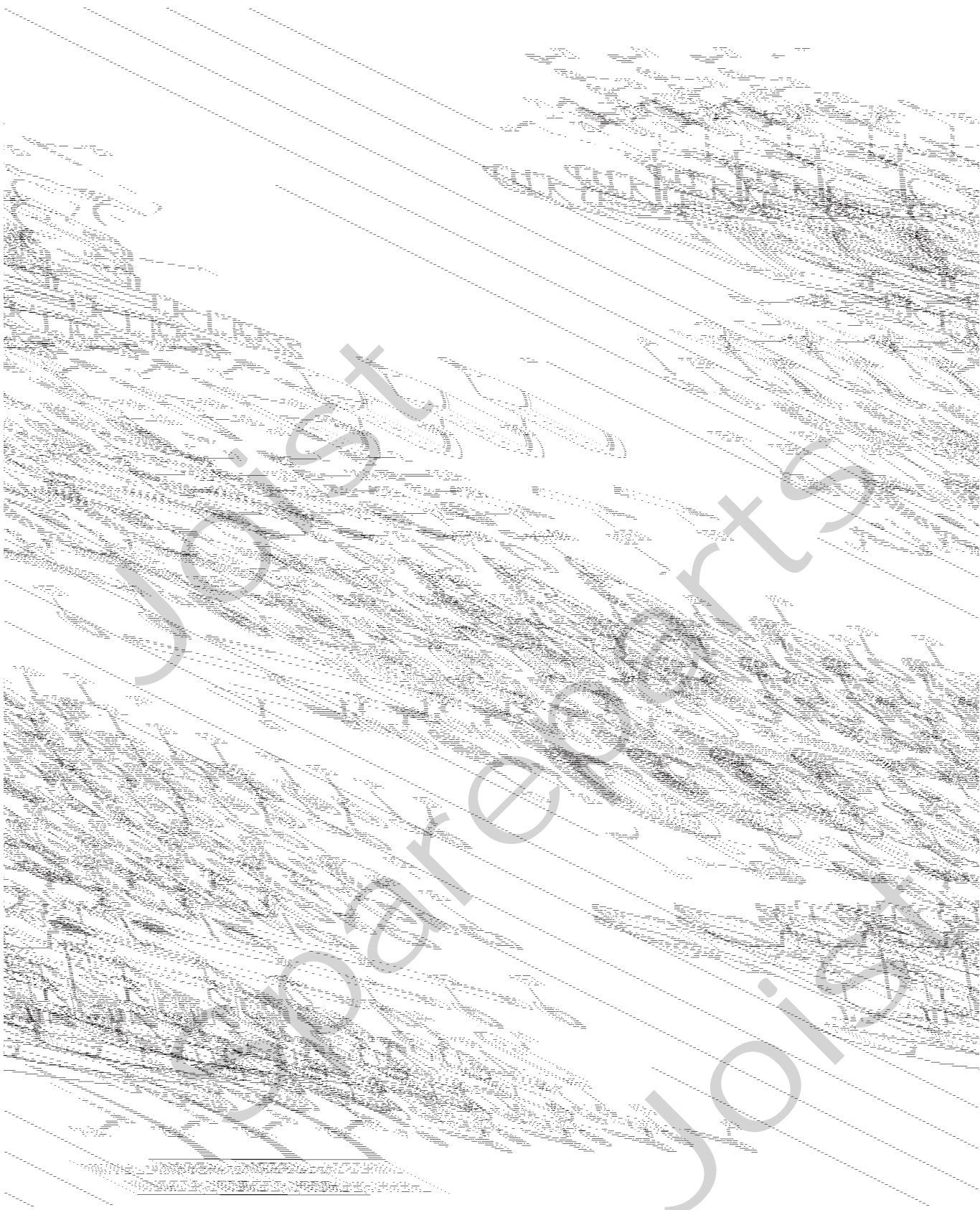
Joist
Spareparts
Joist



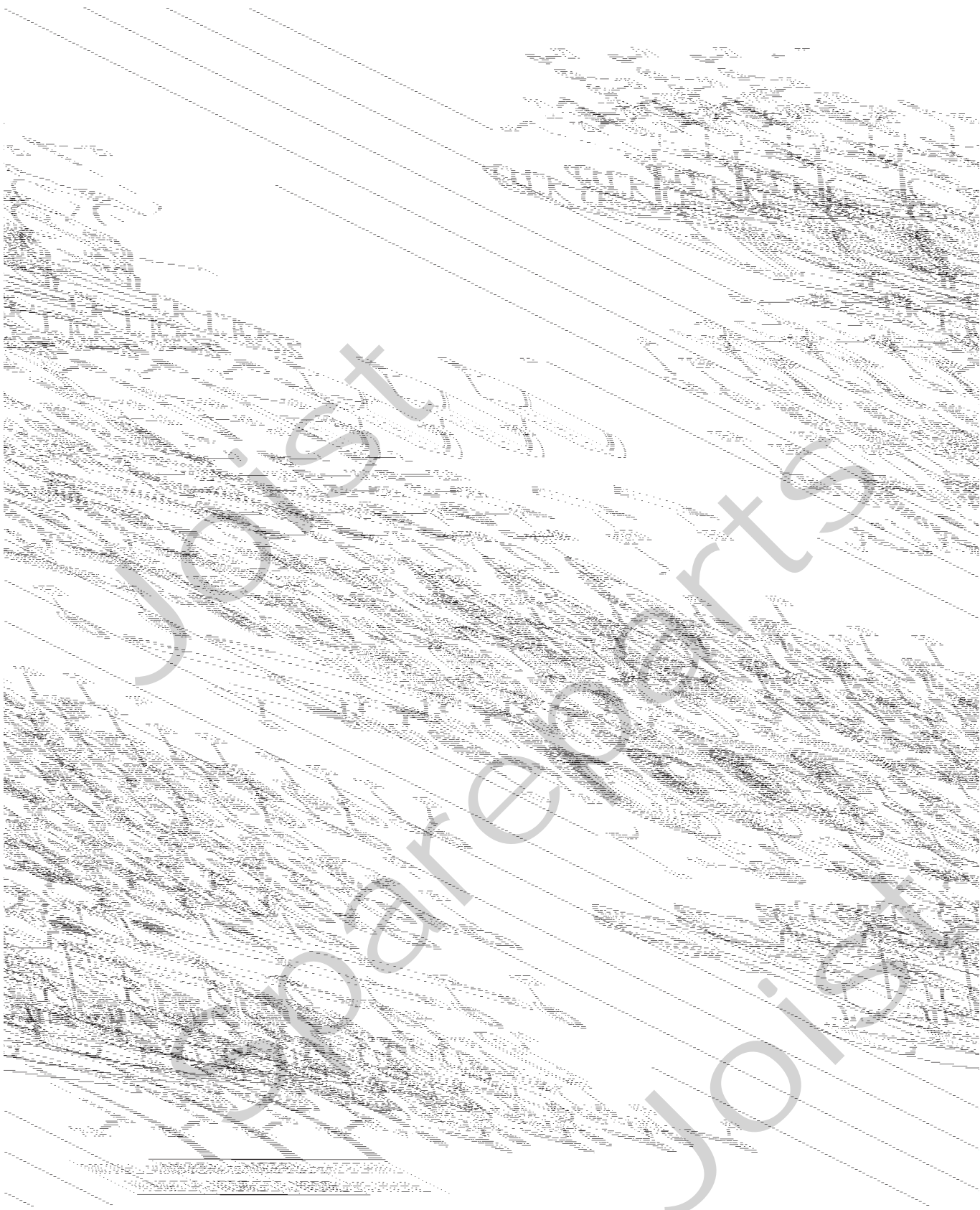
Utgåva Issue 2008- 13		Bildnr Picture No 2271		DANA TRANSAXEL 4360- 211		DANA TRANSAXLE 4360- 211		Sida Page 214	
Pos. Fig.	Antal/Quantity				Art nr Part No	Benämning	Description	Sats Kit	Anmärkning Notes
	4360 -211								
0	1				18400912/0	Transaxel kpl.....	Transaxle assy.....		4360- 211
1	1				F000- 5962- AC	Hus, övre	Housing, upper		
2	16				F000- 1919- 00	Skruv	Screw		
3	2				F000- 5947- 00	Kula	Ball		
4	2				F000- 5948- 00	Fjäder.....	Spring		
5	1				F000- 5950- 00	Lock.....	Cover		
6	1				F084- 0052- 00	Skruv	Screw		
7	1				F000- 7010- 00	Hylsa	V- ring		
8	1				F000- 6517- 00	Växelförare	Shifter kit		
9	1				F000- 1106- 00	• Låsring	• Retaining ring.....		
10	4				F000- 4689- 00	• Sats- shims.....	• Kit- shim.....		
11	3				F000- 3876- 00	• Bricka	• Washer.....		
12	1				F000- 1746- 00	• Kil	• Key		
13	1				F000- 6595- 00	Ingående axel kpl.....	Input shaft assy		
14	1				F000- 5620- 00	• Drev	• Bevel pinion	12T	
15	1				F000- 3624- 00	• Låsring	• Retaining ring.....		
16	1				F000- 3625- 00	Kedja	Chain	24 link	
17	3				F000- 5510- 00	Flänslager	Flange bearing.....		
18	1				F000- 5627- 00	Drev.....	Gear	12T	
19	1				F000- 5303- 00	Hylsa	Shifter boot		
20	1				F000- 4758- 00	Sats- kilar.....	Kit- clutch keys		
21	1				F000- 5737- 00	Mellanaxel	Intermediate shaft		
22	1				F000- 1375- 00	Woodruffkil.....	Woodruff key		
23	1				F000- 3627- 00	Låsring	Retaining ring		
24	1				F000- 3830- 00	Kedjehjul.....	Sprocket.....	18T	
25	1				F000- 3841- 00	Distans	Spacer.....		
26	1				F000- 5365- 00	Drev.....	Gear, spur	37T	
27	1				F000- 3867- 00	Drev.....	Gear, spur	30T	
28	1				F000- 5014- 00	Drev.....	Gear, spur	27T	
29	1				F000- 3783- 00	Drev.....	Gear, spur	25T	
30	1				F000- 5202- 00	Drev.....	Gear, spur	19T	
31	1				F000- 5027- 00	Distans	Spacer.....		
32	1				F000- 3628- 00	Bricka	Washer.....		
33	1				F000- 5511- 00	Flänslager	Flange bearing.....		
34	1				F000- 5508- 00	Tätningarring	Oil seal		
35	1				F000- 1425- 00	Bricka	Washer.....		
36	1				F000- 6358- 00	Drev.....	Gear comb.	12T/30T	
37	1				F000- 3967- 00	Axel	Idler shaft		
38	1				F000- 7003- 00	Drev.....	Bevel gear	36T	
39	1				F000- 3630- 00	Distans	Spacer.....		
40	1				F000- 3645- 00	Kedjehjul.....	Sprocket.....	9T	
41	1				F000- 5016- 00	Distans	Spacer.....		
42	1				F000- 5015- 00	Axel	Drive shaft.....		
43	1				F000- 5364- 00	Drev.....	Gear, spur	12T	
44	1				F000- 3866- 00	Drev.....	Gear, spur	20T	
45	1				F000- 5013- 00	Drev.....	Gear, spur	23T	
46	1				F000- 3719- 00	Drev.....	Gear, spur	25T	
47	1				F000- 3683- 00	Drev.....	Gear, spur	31T	
48	1				F000- 3714- 00	Distans	Spacer.....		
49	1				F000- 1145- 00	Bricka	Washer.....		
50	2				F000- 5130- 00	Tätning	Seal		
51	2				F000- 3184- 00	Bricka	Washer.....		
52	1				F000- 7070- 10	Hjulaxel- vä.....	Wheel axle- LH		
53	2				F000- 5622- 00	Drev.....	Miter gear	12T	
54	2				F000- 5270- 00	Låsring	Retaining ring		
55	1				F000- 3839- 00	Drev.....	Gear, spur	32T	
56	1				F000- 3919- 00	Axel	Cross shaft.....		
57	2				F000- 5623- 00	Drev.....	Miter gear	12T	
58	1				F000- 7070- 20	Hjulaxel- hö.....	Wheel axle- RH.....		
59	1				F000- 4691- 00	Sats- shims.....	Kit- shim.....		
60	1				F000- 5304- R0	Hus, nedre	Housing, lower		
61	2				F000- 3907- 00	Friktionsbelägg	Friction puck		
62	1				F000- 5960- 00	Bromsskiva.....	Brake disc		



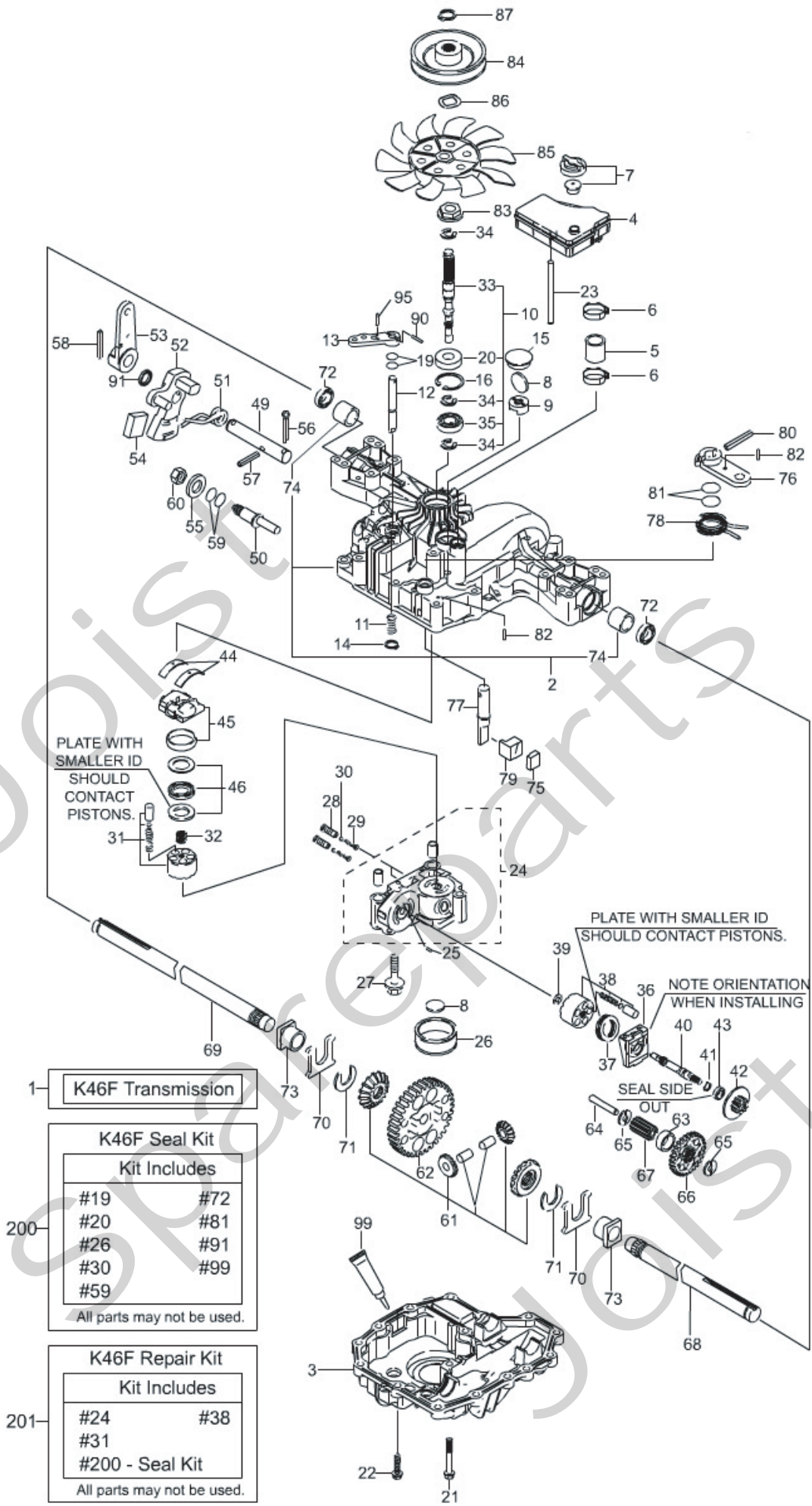
Utgåva Issue 2008-13		Bildnr Picture No 2271		DANA TRANSAXEL 4360-211		DANA TRANSAXLE 4360-211		Sida Page 216	
Pos. Fig.	Antal/Quantity				Art nr Part No	Benämning	Description	Sats Kit	Anmärkning Notes
	4360 -211								
63	1				F000-3758-00	Distans	Spacer		Ej ill/nicht ill.
64	1				F000-5554-00	Bromshållare	Brake jaw		
65	2				F000-3843-00	Pinne	Dowel pin		
66	1				F000-7026-00	Arm	Lever		
67	1				F000-3760-00	Bricka	Washer		
68	1				F000-5555-00	Bricka	Bracket		
69	2				F000-5562-00	Skruv	Screw		
70	1				F000-3847-00	Låsmutter	Lock nut		
71	1				F000-7034-00	Brytare	Switch		
72	1				F000-4300-00	Smörjfett	Grease		



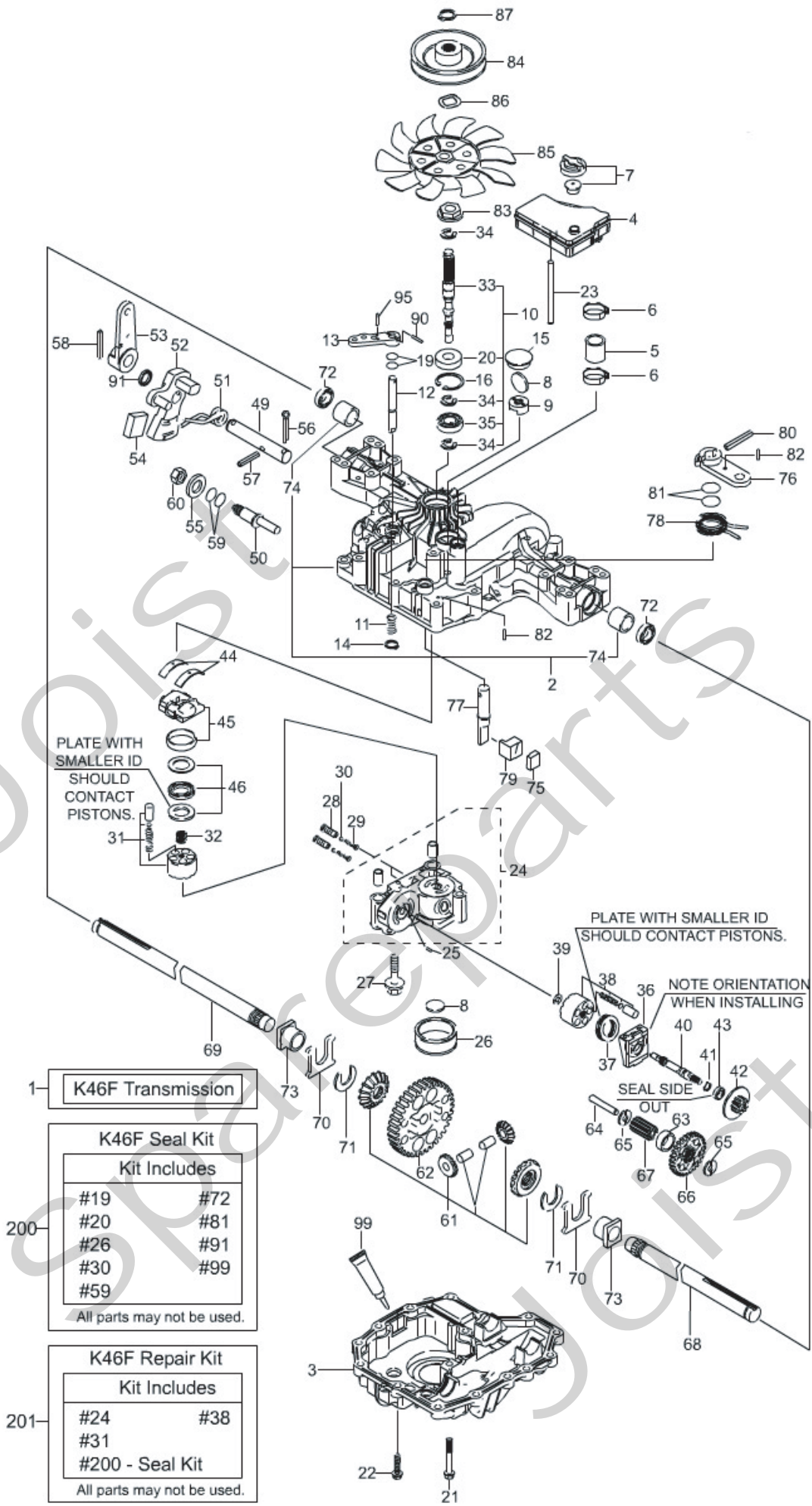
Utgåva Issue		Bildnr Picture No		TECUMSEH PEERLESS TRANSAXEL		TECUMSEH PEERLESS TRANSAXLE		Sida Page	
2008- 13		1181		MST 205- 535E MST 205- 541E		MST 205- 535E MST 205- 541E		218	
Pos. Fig.	Antal/Quantity			Art nr Part No	Benämning	Description	Sats Kit	Anmärkning Notes	
	MST 205- 535E	MST 205- 541E							
0	1			18400910/2	Transaxel kpl.....	Transaxle assy.....		MST 205- 535E	
0		1		18400915/2	Transaxel kpl.....	Transaxle assy.....		MST 205- 541E	
1	1	1		772148	Lock.....	Cover.....			
2	2	2		780086	Nållager.....	Needle bearing.....			
3	1	1		770128	Hus.....	Case.....			
4B	1	1		776406	Axel.....	Shaft.....			
5	1	1		776409	Axel.....	Shaft.....			
6	1	1		778364	Drev.....	Gear.....		38T	
6A	1	1		778369	Drev.....	Gear.....		15T	
7	1	1		778330	Drev.....	Gear.....		11T	
8	2	2		792180	Kil.....	Key.....			
8A	1	1		792047	Woodruffkil.....	Woodruff key.....			
9	1	1		784352	Hylsa.....	Collar.....			
10	1	1		784378	Växelförare.....	Shift rod and fork.....			
11	1	1		778334	Drev.....	Bevel gear.....		30T	
12	1	1		778309	Drev.....	Bevel pinion.....		13T	
13	2	2		778368	Drev.....	Bevel gear.....		13T	
14	2	2		778368	Drev.....	Bevel gear.....		13T	
15	1	1		778370	Ringdrev.....	Ring gear.....		43T	
17	1	1		786188	Axel.....	Drive pin.....			
18	1	1		786102	Distans.....	Spacer.....			
20	1	1		792077	Kula.....	Steel ball.....			
21	1	1		792211	Skruv.....	Screw.....			
22	1	1		792079	Fjäder.....	Spring.....			
25	17	17		792073	Skruv.....	Screw.....			
25A	2	2		792177	Skruv.....	Screw.....		35 mm	
26	4	4		792125	Låsring.....	Retainer ring.....		Sats 2 st/Pkg of 2	
27	1	1		792035	Låsring.....	Retainer ring.....			
28	1	1		788040	Låsring.....	Retainer ring.....			
29	5	5		780072	Bricka.....	Thrust washer.....			
29A	1	1		780160	Bricka.....	Washer.....			
29B	2	2		780051	Bricka.....	Thrust washer.....			
30	4	4		780108	Bricka.....	Thrust washer.....			
31	2	2		780001	Bricka.....	Washer.....		.056" (1.42 mm)	
31A	2	2		780195	Bricka.....	Washer.....		.062" (1.57 mm)	
32	1	1		788083	O- ring.....	O- ring.....			
32A	1	1		792001	O- ring.....	O- ring.....			
34	2	2		780194	Bussning.....	Bushing.....			
35	2	2		780193	Flänsbussning.....	Flange bushing.....		ID = 5/8"	
35A	2	2		780197	Flänsbussning.....	Flange bushing.....		ID = 3/4"	
36	1	1		790075	Bromsskiva.....	Brake disc.....			
37	1	1		790007	Tryckplatta.....	Brake pad plate.....			
38	2	2		799021	Bromsbelägg.....	Brake pad.....		Sats 2 st/Pkg of 2	
39	2	2		786026	Styrpinne.....	Dowel pin.....			
40	1	1		792076	Planbricka.....	Flat washer.....			
41		1		790031	Bromsarm.....	Brake lever.....			
41	1			790045	Bromsarm.....	Brake lever.....			
42	2	2		792177	Skruv.....	Screw.....			
43	1	1		792075	Låsmutter.....	Lock nut.....			
44	1	1		790025	Hållare.....	Brake pad holder.....			
46	1	1		786086	Fäste.....	Brake lever bracket.....			
47	1			775028	Axel.....	Axle.....		11- 63/64" (304 mm)	
47		1		775047	Axel.....	Axle.....		11- 1/4" (286 mm)	
48	1			775027	Axel.....	Axle.....		16- 9/16" (421 mm)	
48		1		775048	Axel.....	Axle.....		15- 13/16" (402 mm)	
49	1	1		778356	Drev.....	Gear.....		29T	
50	1	1		778340	Drev.....	Gear.....		24T	
51	1	1		778344	Drev.....	Gear.....		20T	
52	1	1		778313	Drev.....	Gear.....		19T	
53	1	1		778346	Drev.....	Gear.....		15T	
56	1	1		778355	Drev.....	Gear.....		11T	
57	1	1		778339	Drev.....	Gear.....		16T	
58	1	1		778343	Drev.....	Gear.....		20T	



Utgåva Issue		Bildnr Picture No		TECUMSEH PEERLESS TRANSAXEL MST 205- 535E MST 205- 541E		TECUMSEH PEERLESS TRANSAXLE MST 205- 535E MST 205- 541E		Sida Page	
2008- 13		1181						220	
Pos. Fig.	Antal/Quantity			Art nr Part No	Benämning	Description	Sats Kit	Anmärkning Notes	
	MST 205- 535E	MST 205- 541E							
59	1	1		778351	Drev.....	Gear		21T	
60	1	1		778345	Drev.....	Gear		25T	
63	1	1		786071	Distans	Spacer.....			
64	1	1		786072	Distans	Spacer.....			
65	1	1		780189	Bricka	Thrust washer.....			
66	1	1		776422	Ingående axel	Input shaft.....			
67	1	1		776396	Bromsaxel	Brake shaft.....			
69	1	1		792170	Låsring	Retaining ring			
70	1	1		786187	Distans	Spacer.....			
71 B	1	1		788092	O- ring	O- ring			
72 A	1	1		788098	O- ring	O- ring			
72 B	1	1		786194	Brytare.....	Neutral start switch.....			
76	1	1		780090	Bricka	Washer.....			
77	1	1		788078	Låsring	Retaining ring			
79	1	1		792144	Fjäder.....	Spring			
82	1	1		778363	Drev.....	Gear		30T + 13T	
83	1	1		778338	Drev.....	Gear		27T	
85	1	1		792154	Plugg.....	Pipe plug.....			
87	1	1		788089	Tätning	Oil seal			
150	1	1		788093	Packningsmassa.....	Liquid gasket.....			
157	2	2		788088	Tätning	Oil seal			
180	1	1		730229	Växellädsolja.....	Gear oil		EP SAE 80W90	



Utgåva Issue		Bildnr Picture No		KANZAKI TRANSAXEL K46F (s/n 4181088- 9999999)		KANZAKI TRANSAXLE K46F (s/n 4181088- 9999999)		Sida Page	
2008- 13		1698C						222	
Pos. Fig.	Antal/Quantity				Art nr Part No	Benämning	Description	Sats Kit	Anmärkning Notes
	K46F								
	1	1			18400950/1	Transaxel kpl.....	Transaxle assy.....		
	2	1			1139- 1470- 01	Hus- övre	Housing- upper		
	3	1			1139- 1297- 01	Nedre hus	Lower housing		
	4	1			1139- 1476- 01	Oljetank	Reservoir tank.....		
	5	1			1139- 1363- 01	Rör	Tube		
	6	2			1139- 1336- 01	Slangklämma.....	Hose clamp		
	7	1			1139- 1100- 01	Ventil kpl.....	Vent valve assy		
	8	2			1139- 1150- 01	Magnet	Magnet.....	S	
	9	1			1139- 1341- 01	Hållare- magnet	Holder- magnet		
X	10	1			1139- 1511- 01	Pumpaxel kpl.....	Pump shaft kit.....		
	11	1			1139- 1347- 01	Fjäder.....	Spring		
	12	1			1139- 1324- 01	Axel- bypass	Shaft- bypass		
	13	1			1139- 1189- 01	Arm- bypass	Lever- bypass		
	14	1			1139- 1161- 01	Låsring	Ring		
	15	1			1139- 1275- 01	Plugg	Bore plug		
	16	1			1139- 1104- 01	Låsring	Snap ring		
	21	2			1139- 1295- 01	Skruv	Tapping screw.....		
	22	14			1139- 0244- 01	Skruv	Tapping screw.....		
X	23	1			1139- 1305- 01	Tankstöd.....	Tank support		
	24	1			1139- 1592- 01	Centrumhus.....	Center case		
	25	1			1139- 1158- 01	Stift	Pin		
	26	1			1139- 1405- 01	Filter	Filter	S	
	27	3			1139- 1294- 01	Bult	Bolt		
	28	2			1139- 1242- 01	Ventil	Valve		
	29	2			1139- 1243- 01	Fjäder.....	Spring		
	30	2			1139- 1307- 01	Filter	Filter		
	31	1			1139- 1356- 01	Cylinderblock kpl	Cylinder block assy		
	32	1			1139- 1245- 01	Fjäder.....	Spring		
	33	1			1139- 1246- 01	Pumpaxel.....	Pump shaft		
	34	3			1139- 1146- 01	Låsring	Ring		
	35	1			1139- 1110- 01	Kullager	Ball bearing		
X	36	1			1139- 1157- 01	Hus.....	Housing		
	37	1			1139- 1501- 01	Lager	Bearing.....		
	38	1			1139- 1139- 01	Cylinderblock kpl	Cylinder block assy		
	39	1			1139- 1160- 01	Bricka	Washer.....		
	40	1			1139- 1353- 01	Motoraxel	Motor shaft		
X	41	1			1139- 1021- 01	Låsring	Snap ring		
	42	1			1139- 1590- 01	Motordrev.....	Motor gear		
	43	1			1139- 1453- 01	Lager	Bearing.....		
	44	2			1139- 1066- 01	Tryckplatta	Metal thrust.....		
	45	1			1139- 1475- 01	Stänklatta kpl.....	Swash plate assy		
	46	1			1139- 1362- 01	Lager	Bearing.....		
	49	1			1139- 1354- 01	Regleraxel.....	Control shaft		
	50	1			1139- 1316- 01	Vridcentrum.....	Fulcrum.....		
	51	1			1139- 1312- 01	Fjäder.....	Spring		
	52	1			1139- 1409- 01	Reglerarm.....	Control arm		
	53	1			1139- 1313- 01	Reglerarm.....	Control lever		
	54	1			1139- 1408- 01	Ryckplatta.....	Jerky plate.....		
	55	1			1139- 1102- 01	Bricka	Washer.....		
	56	1			1139- 1355- 01	Saxpinne.....	Cotter pin		
	57	1			1139- 1329- 01	Stift	Pin		
	58	1			1139- 1285- 01	Stift.....	Pin		
	60	1			1139- 1127- 01	Mutter.....	Nut		
	61	1			1139- 1404- 01	Differentialdrev kpl	Differential gear kit.....		
	62	1			1139- 1258- 01	Slutdrev	Final gear		
	63	1			1139- 1255- 01	Hylsa	Collar		
	64	1			1139- 1256- 01	Reduktionsaxel	Reduction shaft.....		
X	65	2			1139- 1398- 01	Bricka	Washer.....		
	66	1			1139- 1591- 01	Reduktionsdrev	Reduction gear.....		
	67	1			1139- 1361- 01	Slutdrev	Final pinion		
	68	1			1139- 1322- 01	Hjulaxel- vä	Axle shaft- left		
	69	1			1139- 1323- 01	Hjulaxel- hö	Axle shaft- right.....		
	70	2			1139- 1078- 01	Tryckbricka	Thrust washer		



1- K46F Transmission

200- K46F Seal Kit

Kit Includes

#19	#72
#20	#81
#26	#91
#30	#99
#59	

All parts may not be used.

201- K46F Repair Kit

Kit Includes

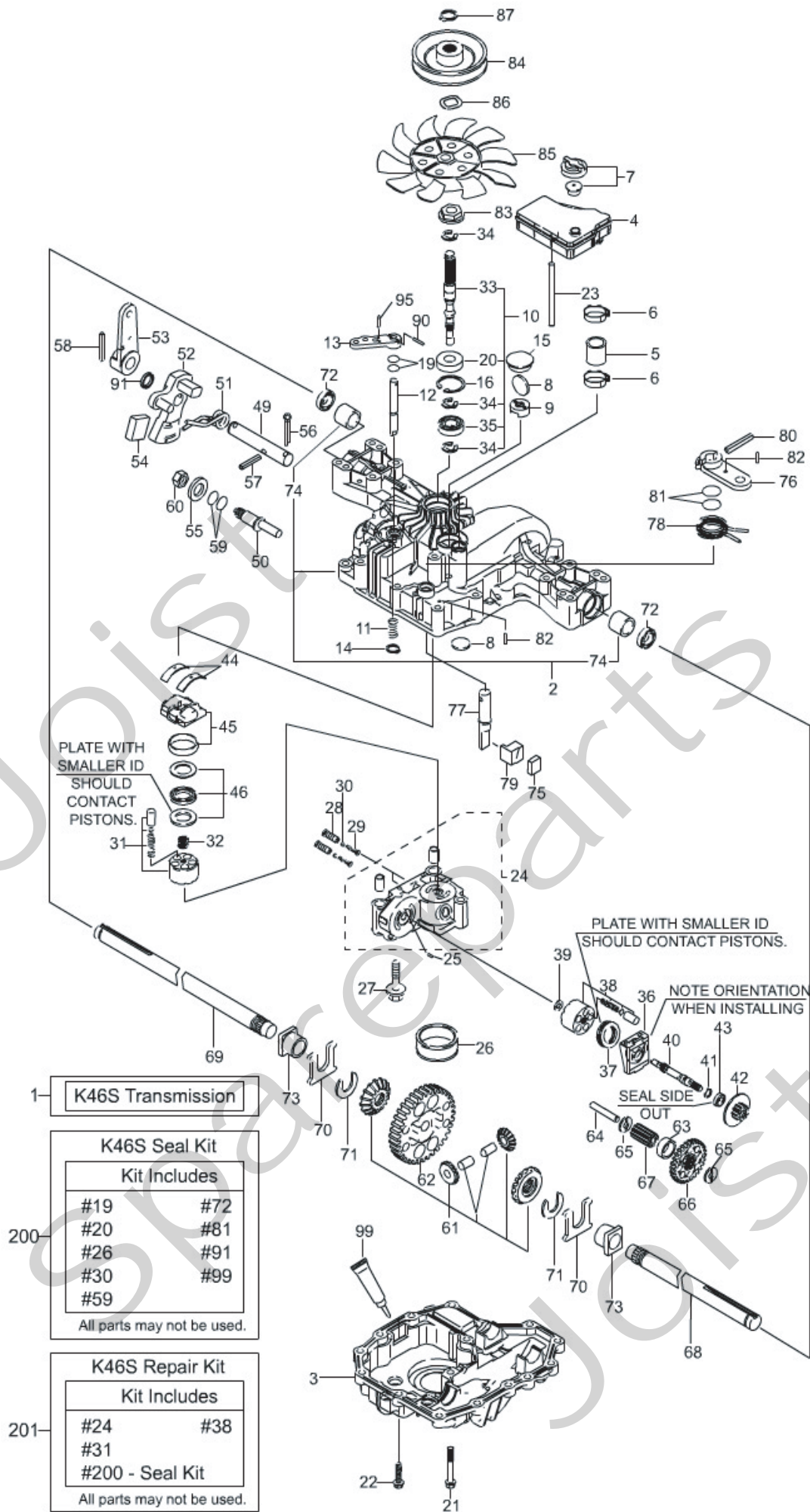
#24	#38
#31	
#200 - Seal Kit	

All parts may not be used.

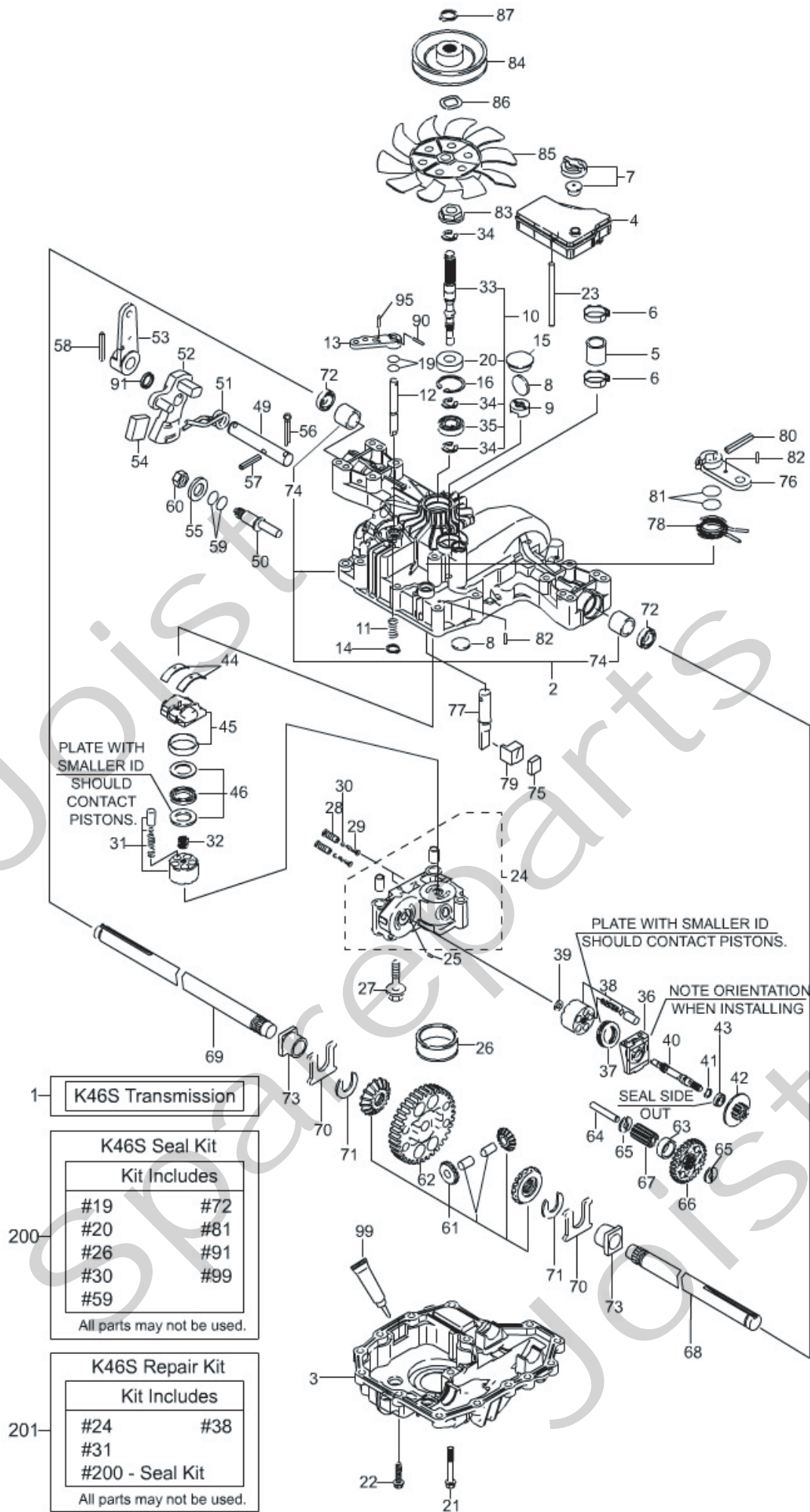


Utgåva Issue		Bildnr Picture No		KANZAKI TRANSAXEL K46F (s/n 4181088- 9999999)		KANZAKI TRANSAXLE K46F (s/n 4181088- 9999999)		Sida Page	
2008- 13		1698C						224	
Pos. Fig.	Antal/Quantity				Art nr Part No	Benämning	Description	Sats Kit	Anmärkning Notes
	K46F								
71	2			1139-1163-01	Låsring	Ring		S	
72	2			1139-1080-01	Tätning	Seal			
73	2			1139-1164-01	Bussning	Bushing.....			
74	2			1139-1414-01	Bussning.....	Bushing.....			
75	1			1139-1260-01	Bromssko	Brake shoe			
76	1			1139-1261-01	Bromsarm	Brake arm			
77	1			1139-1320-01	Bromsaxel	Brake shaft.....			
78	1			1139-1263-01	Returfjäder	Return spring			
79	1			1139-1264-01	Bromstryckare	Brake actuator			
80	1			1139-1282-01	Stift.....	Pin			
82	2			1139-1281-01	Stift.....	Pin			
83	1			1139-1248-01	Krage.....	Spline collar			
84	1			1139-1478-01	Remskiva.....	Pulley			
85	1			1134-4190-01	Fläkt.....	Fan			
86	1			1139-1266-01	Låsbricka	Lock washer			
87	1			1139-1149-01	Låsring	Snap ring			
90	1			1139-1280-01	Stift.....	Pin			
95	1			1139-1279-01	Stift.....	Pin			
99	1			1139-1443-01	Tätningsmedel	Sealant			
200	1			1139-1403-01	Packningssats	Seal kit			Märkta S/marked S
201	1			1139-1593-01	Rep.sats	Repair kit.....			

X



Utgåva Issue		Bildnr Picture No		KANZAKI TRANSAXEL K46S (s/n 0100680- 9999999)		KANZAKI TRANSAXLE K46S (s/n 0100680- 9999999)		Sida Page	
2008- 13		2274						226	
Pos. Fig.	Antal/Quantity				Art nr Part No	Benämning	Description	Sats Kit	Anmärkning Notes
	K46S								
	1	1			18400960/0	Transaxel kpl.....	Transaxle assy.....		Inkl. pos 74
	2	1			1139- 1470- 01	Hus- övre	Housing- upper		
	3	1			1139- 1297- 01	Nedre hus	Lower housing		
	4	1			1139- 1476- 01	Oljetank	Reservoir tank.....		
	5	1			1139- 1363- 01	Rör	Tube		
	6	2			1139- 1336- 01	Slangklämma.....	Hose clamp		
	7	1			1139- 1100- 01	Ventil kpl.....	Vent valve assy		
	8	2			1139- 1150- 01	Magnet	Magnet.....	S	
	9	1			1139- 1341- 01	Hållare- magnet	Holder- magnet		
X	10	1			1139- 1511- 01	Pumpaxel kpl.....	Pump shaft kit.....		
	11	1			1139- 1347- 01	Fjäder.....	Spring		
	12	1			1139- 1324- 01	Axel- bypass	Shaft- bypass		
	13	1			1139- 1189- 01	Arm- bypass	Lever- bypass		
	14	1			1139- 1161- 01	Låsring	Ring		
	15	1			1139- 1275- 01	Plugg	Bore plug		
	16	1			1139- 1104- 01	Låsring	Snap ring		
	21	2			1139- 1295- 01	Skruv	Tapping screw.....		
	22	14			1139- 0244- 01	Skruv	Tapping screw.....		
	23	1			1139- 1305- 01	Tankstöd.....	Tank support		
X	24	1			1139- 1592- 01	Centrumhus.....	Center case		
	25	1			1139- 1158- 01	Stift.....	Pin		
	26	1			1139- 1405- 01	Filter	Filter	S	
	27	3			1139- 1294- 01	Bult.....	Bolt		
	28	2			1139- 1242- 01	Ventil	Valve		
	29	2			1139- 1243- 01	Fjäder.....	Spring		
	30	2			1139- 1307- 01	Filter	Filter		
	31	1			1139- 1356- 01	Cylinderblock kpl	Cylinder block assy		
	32	1			1139- 1245- 01	Fjäder.....	Spring		
	33	1			1139- 1246- 01	Pumpaxel.....	Pump shaft		
	34	3			1139- 1146- 01	Låsring	Ring		
	35	1			1139- 1110- 01	Kullager	Ball bearing		
	36	1			1139- 1157- 01	Hus.....	Housing		
X	37	1			1139- 1501- 01	Lager	Bearing.....		
X	38	1			1139- 1509- 01	Cylinderblock kpl	Cylinder block kit		
	39	1			1139- 1160- 01	Bricka	Washer.....		
	40	1			1139- 1353- 01	Motoraxel	Motor shaft		
	41	1			1139- 1021- 01	Låsring	Snap ring		
	42	1			1139- 1311- 01	Motor Trev.....	Motor gear		
	43	1			1139- 1453- 01	Lager	Bearing.....		
	44	2			1139- 1066- 01	Tryckplatta	Metal thrust.....		
	45	1			1139- 1475- 01	Stänklatta kpl.....	Swash plate assy		
	46	1			1139- 1362- 01	Lager	Bearing.....		
	49	1			1139- 1354- 01	Regleraxel.....	Control shaft		
	50	1			1139- 1316- 01	Vridcentrum.....	Fulcrum.....		
	51	1			1139- 1312- 01	Fjäder.....	Spring		
	52	1			1139- 1409- 01	Reglerarm.....	Control arm		
	53	1			1139- 1313- 01	Reglerarm.....	Control lever		
	54	1			1139- 1408- 01	Ryckplatta.....	Jerky plate.....		
	55	1			1139- 1102- 01	Bricka	Washer.....		
	56	1			1139- 1355- 01	Saxpinne.....	Cotter pin		
	57	1			1139- 1329- 01	Stift.....	Pin		
	58	1			1139- 1285- 01	Stift.....	Pin		
	60	1			1139- 1127- 01	Mutter.....	Nut		
	61	1			1139- 1404- 01	Differentialdrev kpl	Differential gear kit.....		
	62	1			1139- 1258- 01	Slutdrev	Final gear		
	63	1			1139- 1255- 01	Hylsa	Collar		
	64	1			1139- 1256- 01	Reduktionsaxel	Reduction shaft.....		
	65	2			1139- 1398- 01	Bricka	Washer.....		
	66	1			1139- 1317- 01	Reduktionsdrev	Reduction gear.....		
	67	1			1139- 1361- 01	Slutdrev	Final pinion		
	68	1			1139- 1318- 01	Hjulaxel- vä.....	Axle shaft- left.....		
	69	1			1139- 1319- 01	Hjulaxel- hö.....	Axle shaft- right.....		
	70	2			1139- 1078- 01	Tryckbricka.....	Thrust washer		



1 K46S Transmission

200 K46S Seal Kit

Kit Includes	
#19	#72
#20	#81
#26	#91
#30	#99
#59	

All parts may not be used.

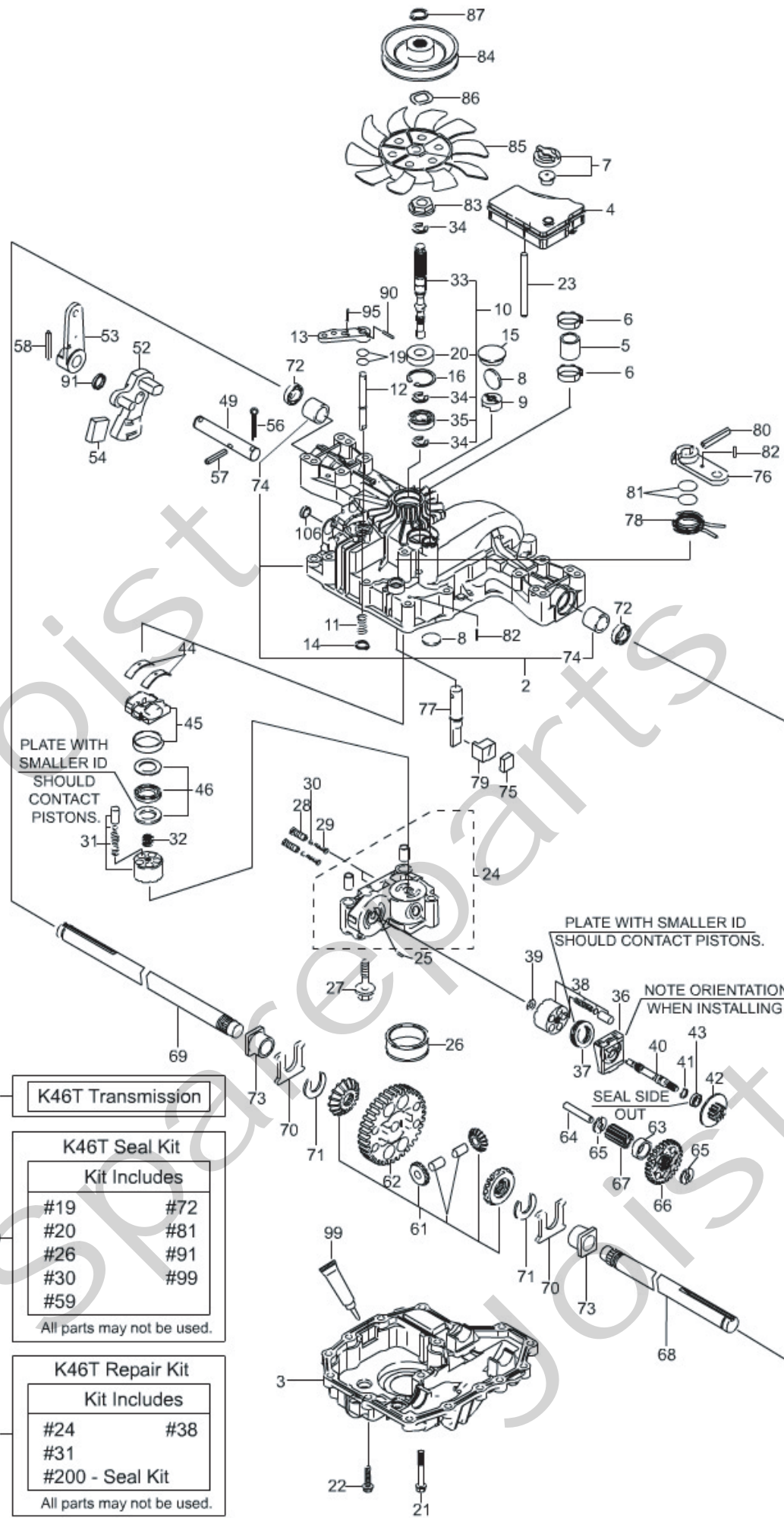
201 K46S Repair Kit

Kit Includes	
#24	#38
#31	
#200 - Seal Kit	

All parts may not be used.

Utgåva Issue		Bildnr Picture No		KANZAKI TRANSAXEL K46S (s/n 0100680- 9999999)		KANZAKI TRANSAXLE K46S (s/n 0100680- 9999999)		Sida Page	
2008- 13		2274						228	
Pos. Fig.	Antal/Quantity				Art nr Part No	Benämning	Description	Sats Kit	Anmärkning Notes
	K46S								
71	2				1139-1163-01 Låsring	Ring		S	
72	2				1139-1080-01 Tätning	Seal			
73	2				1139-1164-01 Bussning	Bushing.....			
74	2				1139-1414-01 • Bussning.....	• Bushing.....			
75	1				1139-1260-01 Bromssko	Brake shoe			
76	1				1139-1261-01 Bromsarm	Brake arm			
77	1				1139-1320-01 Bromsaxel	Brake shaft.....			
78	1				1139-1263-01 Returfjäder	Return spring			
79	1				1139-1264-01 Bromstryckare	Brake actuator			
80	1				1139-1282-01 Stift.....	Pin			
82	2				1139-1281-01 Stift.....	Pin			
83	1				1139-1248-01 Krage.....	Spline collar			
84	1				1139-1478-01 Remskiva.....	Pulley			
85	1				1134-4190-01 Fläkt.....	Fan			
86	1				1139-1266-01 Låsbricka	Lock washer			
87	1				1139-1149-01 Låsring	Snap ring			
90	1				1139-1280-01 Stift.....	Pin			
95	1				1139-1279-01 Stift.....	Pin			
99	1				1139-1443-01 Tätningsmedel	Sealant			
200	1				1139-1403-01 Packningssats	Seal kit			Märkta S/marked S
201	1				1139-1593-01 Rep.sats	Repair kit.....			

X



1 K46T Transmission

K46T Seal Kit

Kit Includes

- | | |
|-----|-----|
| #19 | #72 |
| #20 | #81 |
| #26 | #91 |
| #30 | #99 |
| #59 | |

All parts may not be used.

K46T Repair Kit

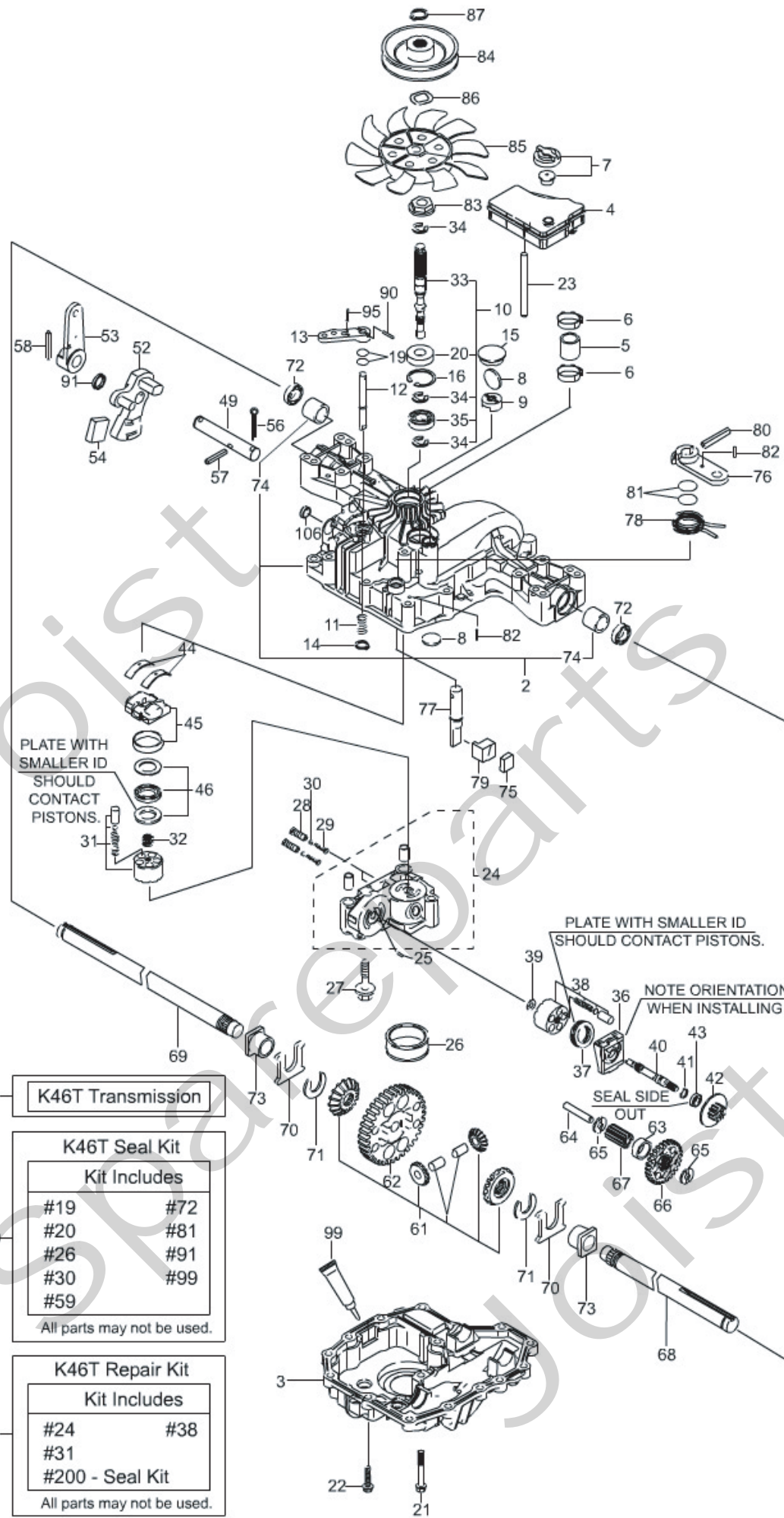
Kit Includes

- | | |
|-----------------|-----|
| #24 | #38 |
| #31 | |
| #200 - Seal Kit | |

All parts may not be used.



Utgåva Issue		Bildnr Picture No		KANZAKI TRANSAXEL K46T (s/n 0025709- 9999999)		KANZAKI TRANSAXLE K46T (s/n 0025709- 9999999)		Sida Page	
2008- 13		2085A						230	
Pos. Fig.	Antal/Quantity				Art nr Part No	Benämning	Description	Sats Kit	Anmärkning Notes
	K46T								
	1	1			18400965/0	Transaxel kpl.....	Transaxle assy.....		Inkl. pos 74
	2	1			1139- 1470- 01	Hus- övre	Housing- upper		
	3	1			1139- 1297- 01	Nedre hus	Lower housing		
	4	1			1139- 1476- 01	Oljetank	Reservoir tank.....		
	5	1			1139- 1363- 01	Rör	Tube		
	6	2			1139- 1336- 01	Slangklämma.....	Hose clamp		
	7	1			1139- 1100- 01	Ventil kpl.....	Vent valve assy		
	8	2			1139- 1150- 01	Magnet	Magnet.....	S	
	9	1			1139- 1341- 01	Hållare- magnet	Holder- magnet		
X	10	1			1139- 1511- 01	Pumpaxel kpl.....	Pump shaft kit.....		
	11	1			1139- 1347- 01	Fjäder.....	Spring		
	12	1			1139- 1324- 01	Axel- bypass	Shaft- bypass		
	13	1			1139- 1189- 01	Arm- bypass	Lever- bypass		
	14	1			1139- 1161- 01	Låsring	Ring		
	15	1			1139- 1275- 01	Plugg	Bore plug		
	16	1			1139- 1104- 01	Låsring	Snap ring		
	21	2			1139- 1295- 01	Skruv	Tapping screw.....		
	22	14			1139- 0244- 01	Skruv	Tapping screw.....		
X	23	1			1139- 1305- 01	Tankstöd.....	Tank support		
	24	1			1139- 1592- 01	Centrumhus.....	Center case		
	25	1			1139- 1158- 01	Stift.....	Pin		
	26	1			1139- 1405- 01	Filter	Filter	S	
	27	3			1139- 1294- 01	Bult.....	Bolt		
	28	2			1139- 1242- 01	Ventil	Valve		
	29	2			1139- 1243- 01	Fjäder.....	Spring		
	30	2			1139- 1307- 01	Filter	Filter		
	31	1			1139- 1356- 01	Cylinderblock kpl	Cylinder block assy		
	32	1			1139- 1245- 01	Fjäder.....	Spring		
	33	1			1139- 1246- 01	Pumpaxel.....	Pump shaft		
	34	3			1139- 1146- 01	Låsring	Ring		
	35	1			1139- 1110- 01	Kullager	Ball bearing		
X	36	1			1139- 1157- 01	Hus.....	Housing		
X	37	1			1139- 1501- 01	Lager	Bearing.....		
	38	1			1139- 1509- 01	Cylinderblock kpl	Cylinder block kit		
	39	1			1139- 1160- 01	Bricka	Washer.....		
	40	1			1139- 1353- 01	Motoraxel	Motor shaft		
	41	1			1139- 1021- 01	Låsring	Snap ring		
	42	1			1139- 1272- 01	Motordrev.....	Motor gear		
	43	1			1139- 1453- 01	Lager	Bearing.....		
	44	2			1139- 1066- 01	Tryckplatta	Metal thrust.....		
	45	1			1139- 1475- 01	Stänklatta kpl.....	Swash plate assy		
	46	1			1139- 1362- 01	Lager	Bearing.....		
	49	1			1139- 1354- 01	Regleraxel.....	Control shaft		
	52	1			1139- 1479- 01	Reglerarm.....	Control arm		
	53	1			1139- 1313- 01	Reglerarm.....	Control lever		
	54	1			1139- 1408- 01	Ryckplatta.....	Jerky plate.....		
	56	1			1139- 1355- 01	Saxpinne.....	Cotter pin		
	57	1			1139- 1329- 01	Stift.....	Pin		
	58	1			1139- 1285- 01	Stift.....	Pin		
	61	1			1139- 1404- 01	Differentialdrev kpl	Differential gear kit.....		
	62	1			1139- 1258- 01	Slutdrev	Final gear		
	63	1			1139- 1255- 01	Hylsa	Collar		
	64	1			1139- 1256- 01	Reduktionsaxel	Reduction shaft.....		
	65	2			1139- 1398- 01	Bricka	Washer.....		
	66	1			1139- 1267- 01	Reduktionsdrev	Reduction gear.....		
	67	1			1139- 1361- 01	Slutdrev	Final pinion		
	68	1			1139- 1344- 01	Hjulaxel- vä	Axle shaft- left		
	69	1			1139- 1345- 01	Hjulaxel- hö.....	Axle shaft- right.....		
	70	2			1139- 1078- 01	Tryckbricka.....	Thrust washer		
	71	2			1139- 1163- 01	Låsring	Ring		
	72	2			1139- 1080- 01	Tätning	Seal	S	
	73	2			1139- 1164- 01	Bussning	Bushing.....		
	74	2			1139- 1414- 01	• Bussning.....	• Bushing.....		



1 - K46T Transmission

200 - K46T Seal Kit

Kit Includes	
#19	#72
#20	#81
#26	#91
#30	#99
#59	

All parts may not be used.

201 - K46T Repair Kit

Kit Includes	
#24	#38
#31	
#200 - Seal Kit	

All parts may not be used.



Utgåva Issue		Bildnr Picture No		KANZAKI TRANSAXEL K46T (s/n 0025709- 9999999)		KANZAKI TRANSAXLE K46T (s/n 0025709- 9999999)		Sida Page	
Pos. Fig.	Antal/Quantity				Art nr Part No	Benämning	Description	Sats Kit	Anmärkning Notes
	K46T								
75	1				1139-1260-01 Bromssko	Brake shoe			
76	1				1139-1261-01 Bromsarm	Brake arm			
77	1				1139-1320-01 Bromsaxel	Brake shaft			
78	1				1139-1263-01 Returfjäder	Return spring			
79	1				1139-1264-01 Bromstryckare	Brake actuator			
80	1				1139-1282-01 Stift	Pin			
82	2				1139-1281-01 Stift	Pin			
83	1				1139-1248-01 Krage	Spline collar			
84	1				1139-1478-01 Remskiva	Pulley			
85	1				1134-4190-01 Fläkt	Fan			
86	1				1139-1266-01 Låsbricka	Lock washer			
87	1				1139-1149-01 Låsring	Snap ring			
90	1				1139-1280-01 Stift	Pin			
95	1				1139-1279-01 Stift	Pin			
99	1				1139-1443-01 Tätningsmedel	Sealant			
106	1				1139-1480-01 Skyddshuv	Sealing cap			
200	1				1139-1403-01 Packningssats	Seal kit			Märkta S/marked S
201	1				1139-1593-01 Rep.sats	Repair kit			

X