

Genuine Spare Parts

www.stiga.com

OVERLAND 4WD Model Year 2011

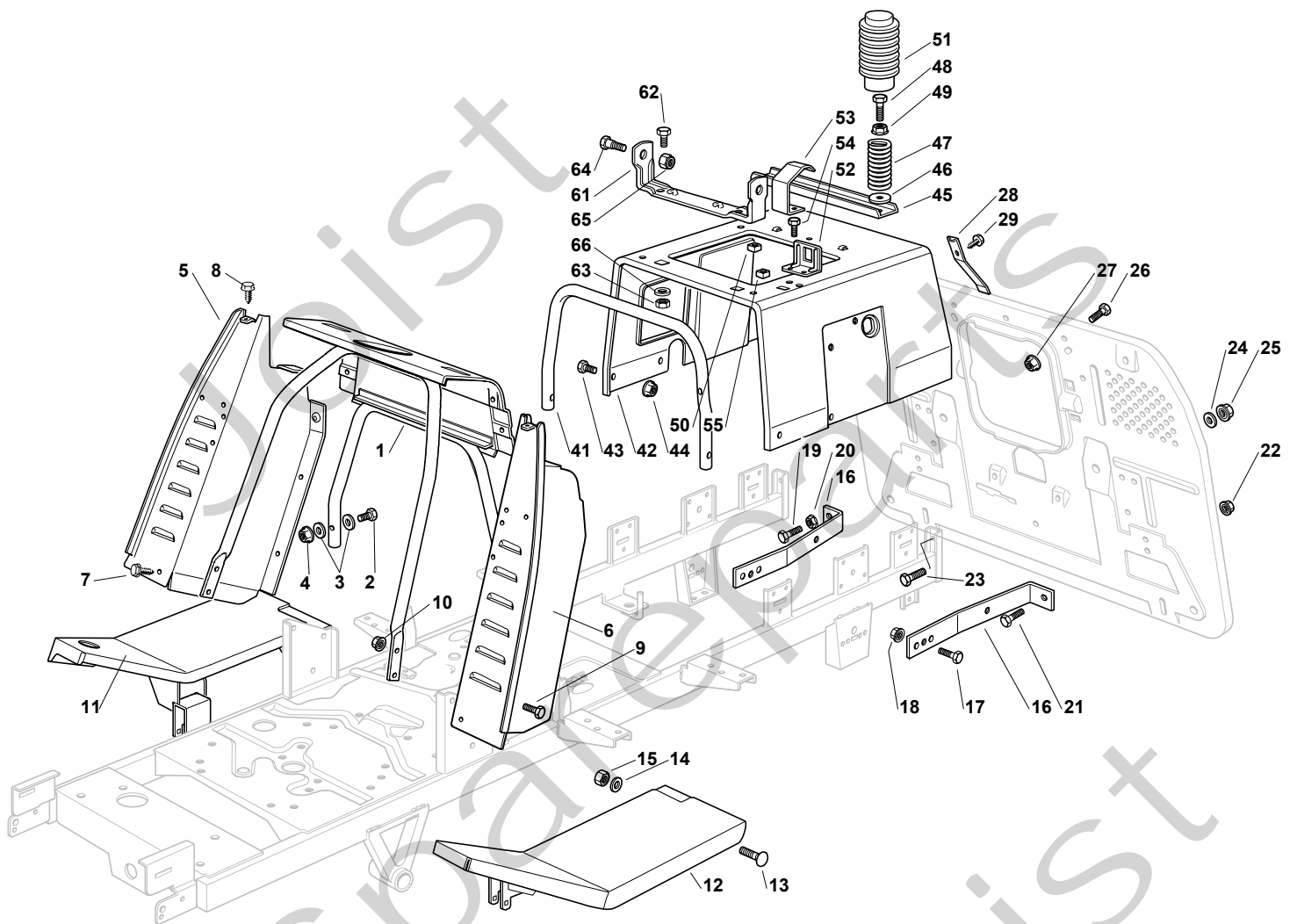
- Use GLOBAL GARDEN PRODUCT Genuine Spare Parts specified in the parts list for repair and/or replacement.
- The contents described in the parts list may change due to improvement.
- The drawings of the spare parts are only indicative and might not represent the part in question exactly.
- The indications "right" - "left" - "front" - "rear" refer to the position of the operator when using the machine.
- When placing orders of parts for repair and/or replacement, make sure that the illustrated parts list is the one applying to the machine's year of manufacture, as shown on the identification plate attached to the machine.

COPYRIGHT by GLOBAL GARDEN PRODUCTS

All rights reserved. No part of this material may be reproduced or transmitted, in any form or by any means, electronic or mechanical, including photocopying, recording or by any information storage and retrieval system, without permission in writing from GLOBAL GARDEN PRODUCTS.



OVERLAND 4WD

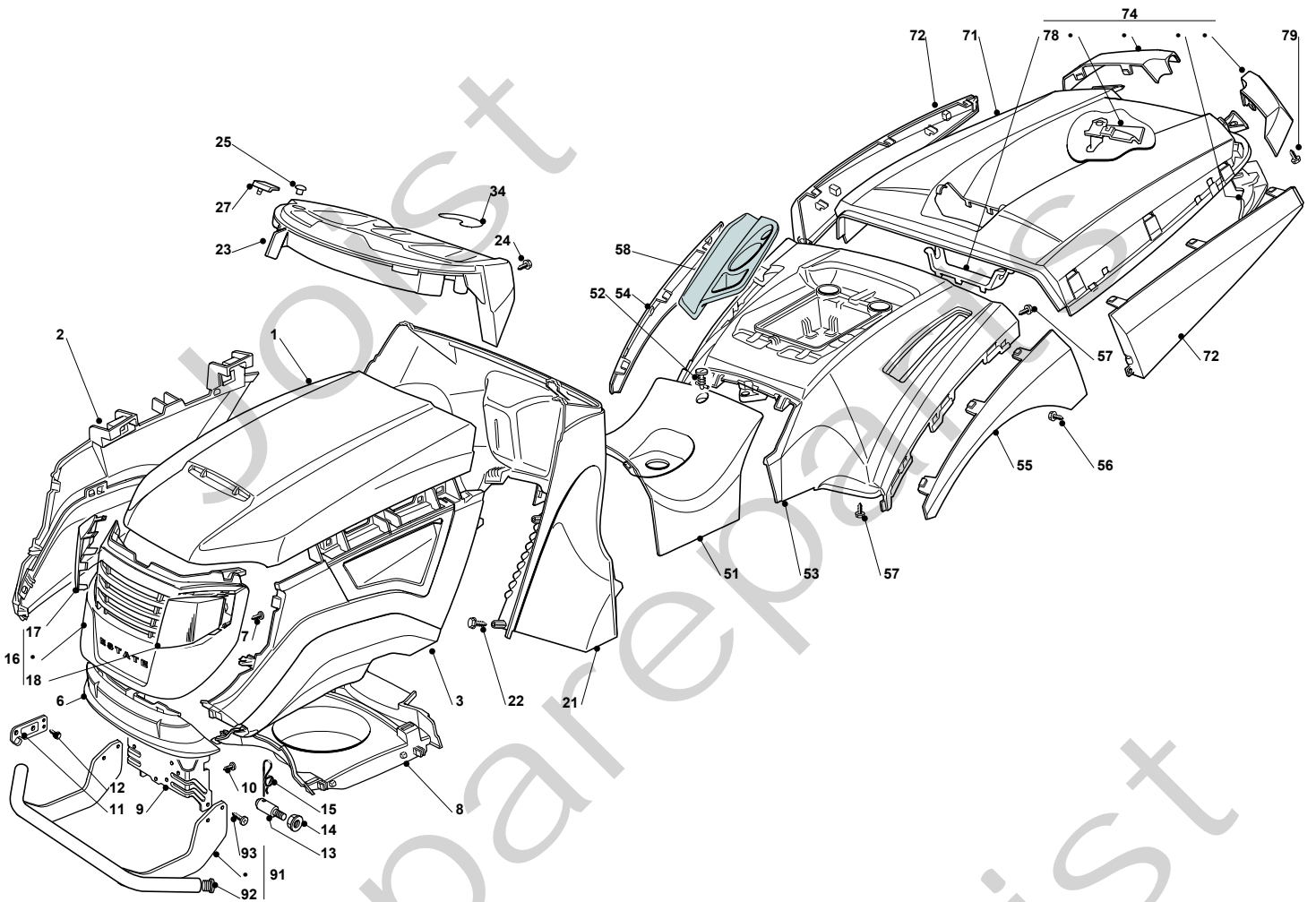




OVERLAND 4WD

| Pos. Fig. | Antal Quantity | Art No Part No | Benämning | Description | Anmärkning Notes |
|-----------|----------------|----------------|-------------------------|------------------------|------------------|
| 1 | 1 | 382785205/0 | Instrumentbräda-Stöd | Central Dashboard Supp | |
| 2 | 2 | 12674550/0 | Skruv | Screw | |
| 3 | 4 | 12523040/0 | Bricka | Washer | |
| 4 | 2 | 12292102/0 | Mutter | Nut | |
| 5 | 1 | 382785022/8 | Instrumentbräda-hö Stöd | Right Dashboard Supp. | |
| 6 | 1 | 382785021/7 | Instrumentbräda-vä Stöd | Left Dashboard Supp. | |
| 7 | 2 | 12735110/0 | Skruv | Screw | |
| 8 | 2 | 12735110/0 | Skruv | Screw | |
| 9 | 6 | 12791400/0 | Skruv | Screw | |
| 10 | 6 | 12292102/0 | Mutter | Nut | |
| 11 | 1 | 325500046/0 | Fotsteg-hö | Right Footboard | |
| 12 | 1 | 325500047/0 | Fotsteg-Vä | Left Footboard | |
| 13 | 4 | 12815245/0 | Skruv | Screw | |
| 14 | 4 | 12523040/0 | Bricka | Washer | |
| 15 | 4 | 12154510/0 | Mutter | Nut | |
| 16 | 2 | 25774273/1 | Reduktion | Stiffening | |
| 17 | 2 | 12793102/0 | Skruv | Screw | |
| 18 | 2 | 12293201/0 | Mutter | Nut | |
| 19 | 1 | 12691100/0 | Skruv | Left Screw | |
| 20 | 1 | 12293200/0 | Mutter | Nut | |
| 21 | 1 | 12792611/0 | Skruv | Screw | |
| 22 | 2 | 12293201/0 | Mutter | Nut | |
| 23 | 2 | 112794300/0 | Skruv | Screw | |
| 24 | 2 | 12521360/0 | Bricka | Washer | |
| 25 | 2 | 12156602/0 | Mutter | Nut | |
| 26 | 5 | 12791011/0 | Skruv | Screw | |
| 27 | 5 | 12292102/0 | Mutter | Nut | |
| 28 | 1 | 25430238/0 | Fjäder | Spring | |
| 29 | 1 | 12731580/0 | Skruv | Screw | |
| 41 | 1 | 325869085/0 | Trådbygel | Stiffening | |
| 42 | 1 | 325785133/4 | Seat Support | Seat Support | |
| 43 | 8 | 12791011/0 | Skruv | Screw | |
| 44 | 8 | 12292102/0 | Mutter | Nut | |
| 45 | 1 | 25650067/0 | Reduktion | Stiffening | |
| 46 | 2 | 12523070/0 | Bricka | Washer | |
| 47 | 2 | 25430205/1 | Fjäder | Spring | |
| 48 | 2 | 25943001/0 | Skruv | Screw | |
| 49 | 2 | 12293201/0 | Mutter | Nut | |
| 50 | 2 | 12360420/0 | Mutter | Nut | |
| 51 | 2 | 25737002/0 | Styrning | Hood | |
| 52 | 1 | 25755025/1 | Fästvinkel | Bracket | |
| 53 | 1 | 25430255/0 | Fjäder | Spring | |
| 54 | 2 | 12735110/0 | Skruv | Screw | |
| 55 | 2 | 12437502/0 | Trombocyt | Plate | |
| 61 | 1 | 82774207/0 | Seat Clamp Support | Seat Clamp Support | |
| 62 | 2 | 12691115/0 | Skruv | Left Screw | |
| 63 | 2 | 12293201/0 | Mutter | Nut | |
| 64 | 2 | 22524970/2 | Stift | Pin | |
| 65 | 2 | 12155010/0 | Mutter | Nut | |
| 66 | 2 | 12523070/0 | Bricka | Washer | |

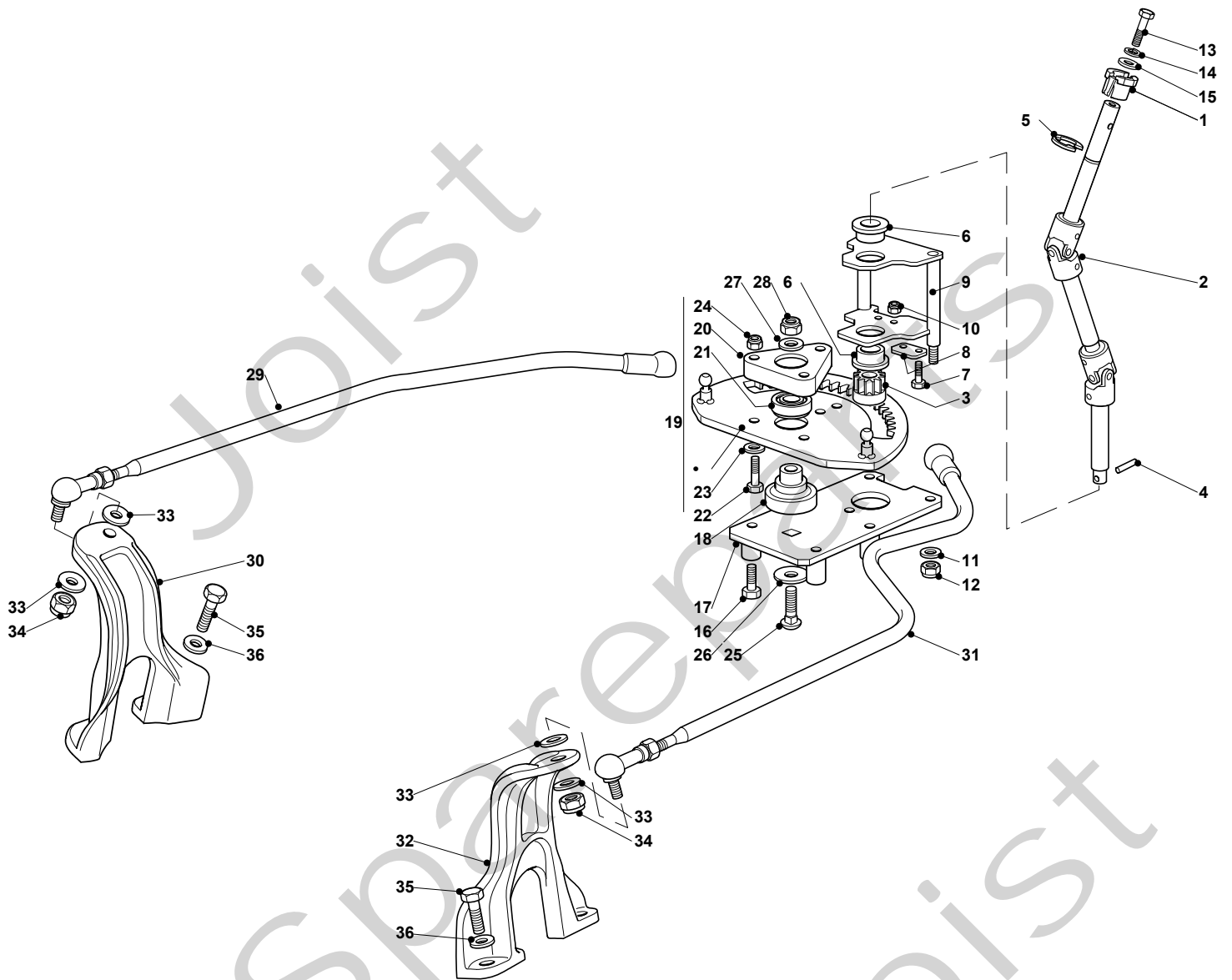
OVERLAND 4WD





OVERLAND 4WD

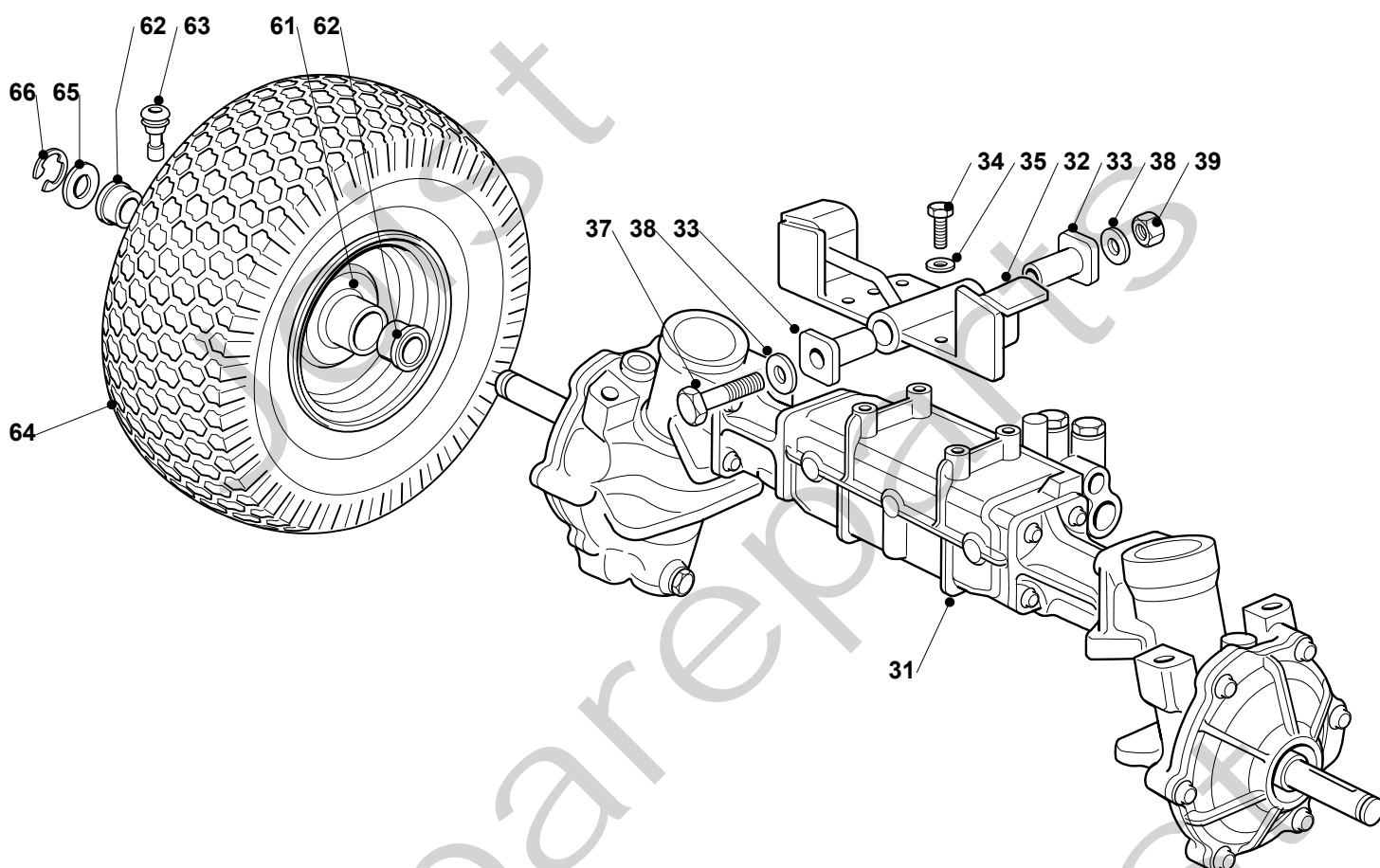
| Pos. Fig. | Antal Quantity | Art No Part No | Benämning | Description | Anmärkning Notes |
|-----------|----------------|----------------|---------------------------|-----------------------------------|------------------|
| 1 | 1 | 25076866/0 | Upper Engine Hood, Yellow | Upper Engine Hood, Yellow | |
| 2 | 1 | 382394611/0 | Hood, Right | Hood, Right | |
| 3 | 1 | 382394612/0 | Hood, Left | Hood, Left | |
| 6 | 1 | 25076865/0 | Lower Grey Hood, Front | Lower Grey Hood, Front | |
| 7 | 6 | 12735403/0 | Skruv | Screw | |
| 8 | 1 | 25108031/0 | Inmatningstratt | Conveyor | |
| 9 | 1 | 25774301/1 | Motorhuv | Engine Hood Support | |
| 10 | 5 | 12735403/0 | Skruv | Screw | |
| 11 | 2 | 325547159/1 | Trombocyt | Plate | |
| 12 | 4 | 12731580/0 | Skruv | Screw | |
| 13 | 2 | 125510079/1 | Stift | Pin | |
| 14 | 2 | 12293201/0 | Mutter | Nut | |
| 15 | 1 | 24487998/0 | Låsnål | Cotter Pin | |
| 16 | 1 | 82394610/0 | Motorhuv | Grey Hood, Front | |
| 17 | 1 | 25410876/0 | Frontkåpa-hö | Right Grill | |
| 18 | 1 | 25410877/0 | Frontkåpa-vä | Left Grill | |
| 21 | 1 | 25785231/1 | Instrumentbrädal-Stöd | Dashboard Support | |
| 22 | 7 | 12735403/0 | Skruv | Screw | |
| 23 | 1 | 325120205/0 | Instrumentbräda svart | Dashboard, Black (Cruise Control) | |
| 24 | 4 | 12728440/0 | Skruv | Screw | |
| 25 | 2 | 25120200/0 | Lock | Plug | |
| 27 | 2 | 25260000/0 | Hylsa | Grommet | |
| 34 | 1 | 325207185/0 | Kåpa | Cover | |
| 51 | 1 | 325110394/0 | Kåpa | Cover | |
| 52 | 1 | 125580020/2 | Stift | Pivot | |
| 53 | 1 | 25109754/0 | Wheels Cover | Wheels Cover | |
| 54 | 1 | 25109753/0 | Right Wheel Cover | Right Wheel Cover | |
| 55 | 1 | 25109752/0 | Left Wheel Cover | Left Wheel Cover | |
| 56 | 2 | 12728686/0 | Skruv | Screw | |
| 57 | 4 | 12735402/0 | Skruv | Screw | |
| 58 | 1 | 325207184/0 | Skyddsplåt | Cover | |
| 71 | 1 | 25110308/0 | Kåpa | Grass-Catcher Cover | |
| 72 | 1 | 382110255/0 | Cover Assy | Cover Assy | |
| 74 | 1 | 382110259/0 | Angles Assy | Angles Assy | |
| 78 | 1 | 25394009/0 | Handtagslock | Handle Cover | |
| 79 | 4 | 12735403/0 | Skruv | Screw | |
| 91 | 1 | 382869039/0 | Ljuddämparskydd | Muffler Protection | |
| 92 | 2 | 18737860/0 | Plugg | Cap | |
| 93 | 4 | 12734995/0 | Skruv | Screw | |





OVERLAND 4WD

| Pos. Fig. | Antal Quantity | Art No Part No | Benämning | Description | Anmärkning Notes |
|-----------|----------------|----------------|-----------------|-----------------|------------------|
| 1 | 2 | 25038004/0 | Kompass | Bush | |
| 2 | 1 | 382543052/0 | Steering Column | Steering Column | |
| 3 | 1 | 125570006/0 | Drev | Pinion | |
| 4 | 1 | 12622650/0 | Stift | Pin | |
| 5 | 1 | 12608600/0 | Seeger | Seeger | |
| 6 | 2 | 25038004/0 | Kompass | Bush | |
| 7 | 2 | 12788910/0 | Skruv | Screw | |
| 8 | 1 | 325487000/0 | Trombocyt | Plate | |
| 9 | 1 | 382785209/0 | Stöd | Support | |
| 10 | 2 | 12154330/0 | Mutter | Nut | |
| 11 | 2 | 12521360/0 | Bricka | Washer | |
| 12 | 2 | 12156602/0 | Mutter | Nut | |
| 13 | 1 | 12691800/0 | Skruv | Screw | |
| 14 | 1 | 12583500/0 | Bricka | Grower | |
| 15 | 1 | 12523060/0 | Bricka | Washer | |
| 16 | 4 | 112735108/1 | Skruv | Screw | |
| 17 | 1 | 382785207/0 | Stöd | Support | |
| 18 | 1 | 125040641/0 | Stöd | Support | |
| 19 | 1 | 382735523/0 | Steering Shaft | Steering Shaft | |
| 20 | 1 | 325774453/0 | Fäste | Clamp | |
| 21 | 1 | 119216047/0 | Kullager | Bearing | |
| 22 | 3 | 12691100/0 | Skruv | Left Screw | |
| 23 | 3 | 12523060/0 | Bricka | Washer | |
| 24 | 3 | 12155000/0 | Mutter | Nut | |
| 25 | 1 | 112819600/0 | Skruv | Screw | |
| 26 | 1 | 112521395/0 | Skruv | Screw | |
| 27 | 1 | 12521370/0 | Bricka | Washer | |
| 28 | 1 | 112156603/0 | Mutter | Nut | |
| 29 | 1 | 382000622/0 | Stång | Steering Rod | |
| 30 | 1 | 325774393/0 | Fäste | Clamp | |
| 31 | 1 | 382000624/0 | Stång | Steering Rod | |
| 32 | 1 | 325774491/1 | Fäste | Clamp | |
| 33 | 4 | 12522050/0 | Bricka | Washer | |
| 34 | 2 | 112155700/0 | Mutter | Nut | |
| 35 | 4 | 112760585/0 | Skruv | Screw | |
| 36 | 4 | 12521370/0 | Bricka | Washer | |

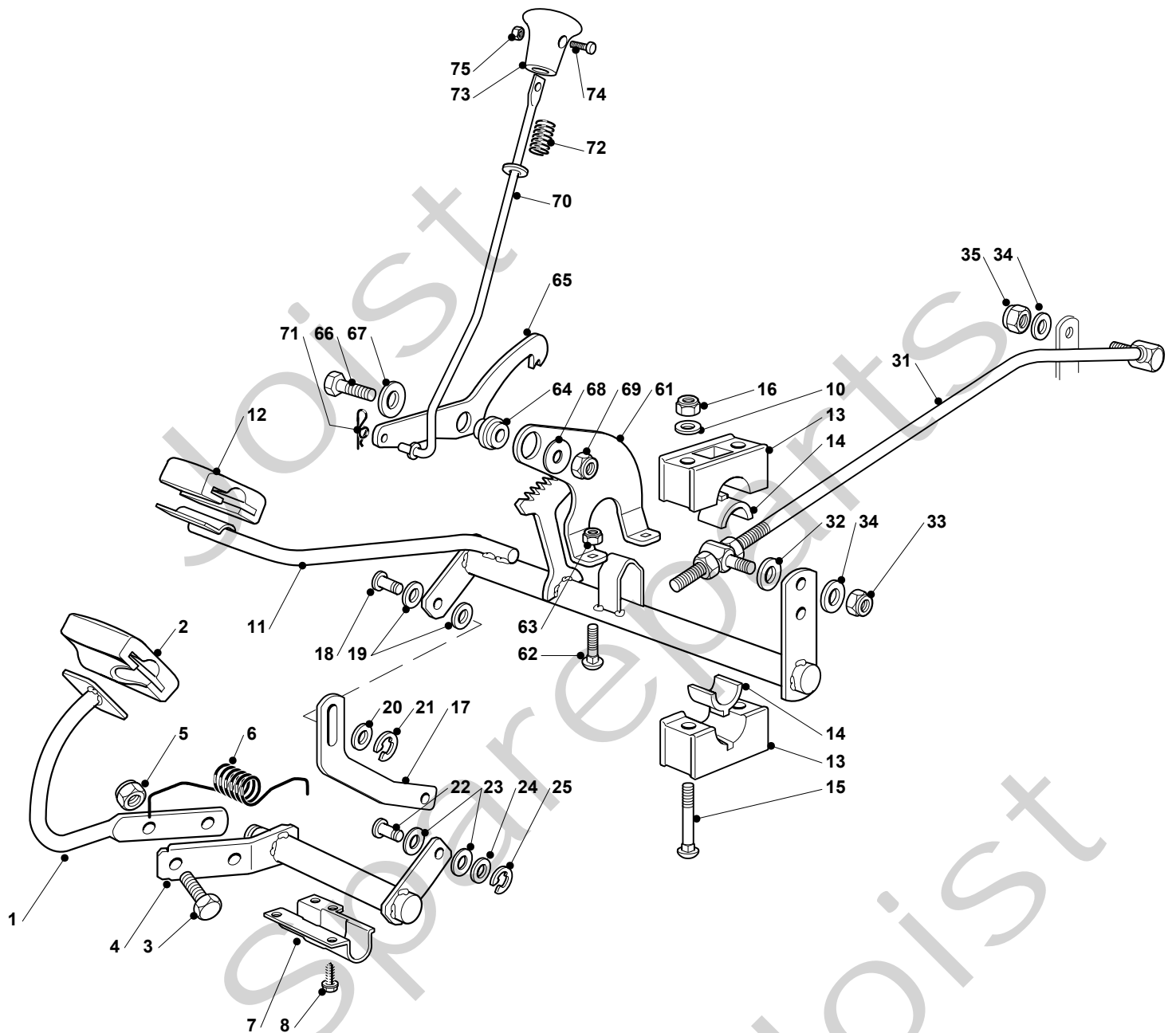
OVERLAND 4WD



OVERLAND 4WD

| Pos. Fig. | Antal Quantity | Art No Part No | Benämning | Description | Anmärkning Notes |
|-----------|----------------|----------------|----------------------------|----------------------------|------------------|
| 31 | 1 | 118400974/0 | Transmission Unit Kk Kxh7N | Transmission Unit Kk Kxh7N | |
| 32 | 1 | 382547057/1 | Stöd | Support | |
| 33 | 2 | 125040633/0 | Bussning | Bush | |
| 34 | 6 | 112760560/0 | Skruv | Screw | |
| 35 | 6 | 112585100/0 | Bricka | Washer | |
| 37 | 1 | 112695900/0 | Skruv | Screw | |
| 38 | 2 | 112521395/0 | Skruv | Screw | |
| 39 | 1 | 112295801/0 | Mutter | Nut | |
| 61 | 2 | 182000601/1 | Rimm | Rimm | |
| 62 | 4 | 25122200/2 | Kullager | Bearing | |
| 63 | 2 | 25950000/0 | Ventil | Valve | |
| 64 | 2 | 125590012/0 | Dack | Tire | |
| 65 | 2 | 25670005/1 | Bricka | Washer | |
| 66 | 2 | 12001010/0 | Låsring | Benzing | |

OVERLAND 4WD

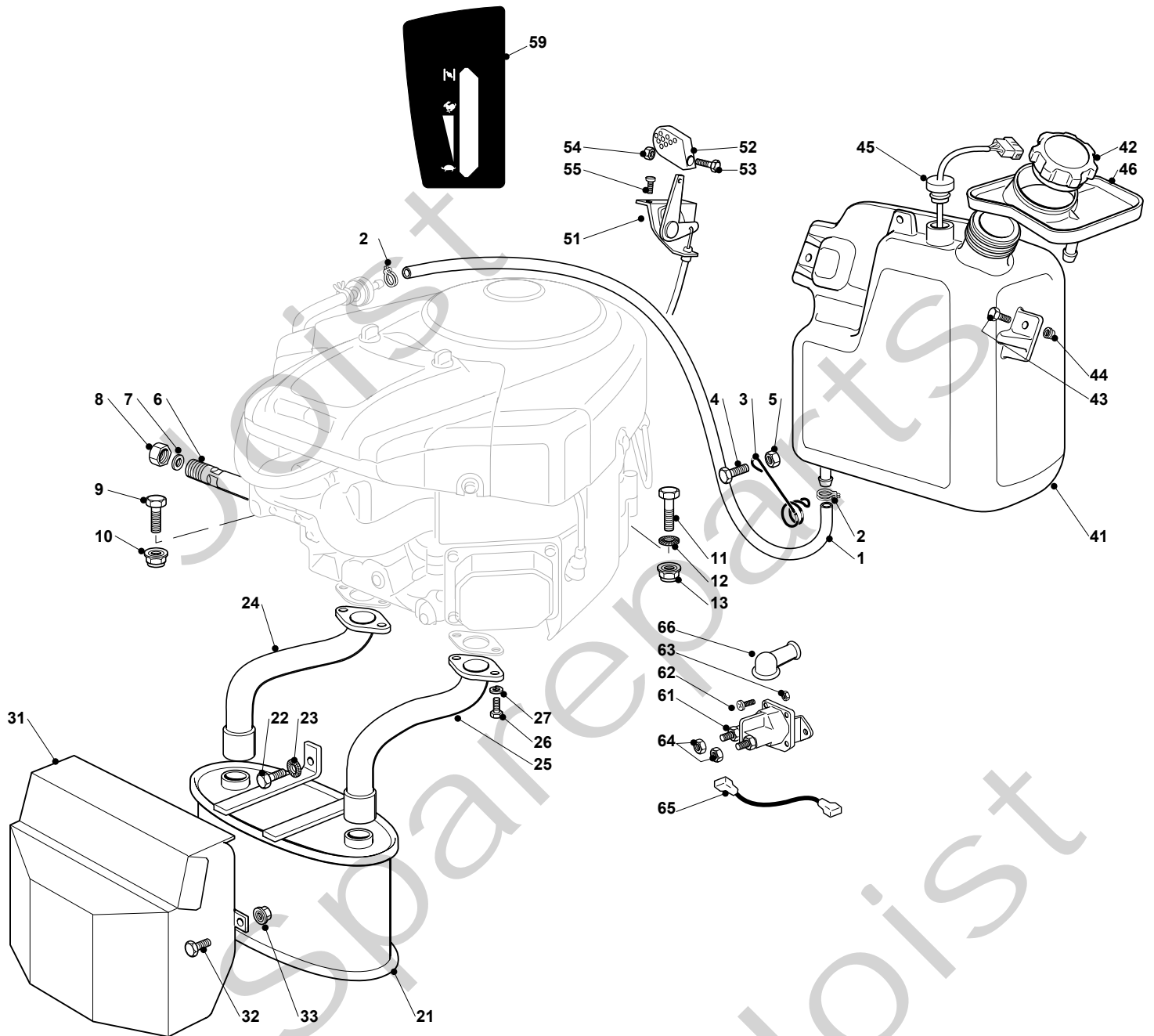




OVERLAND 4WD

| Pos. Fig. | Antal Quantity | Art No Part No | Benämning | Description | Anmärkning Notes |
|-----------|----------------|----------------|-------------------|-------------------|------------------|
| 1 | 1 | 382500031/1 | Pedal | Pedal | |
| 2 | 1 | 25110275/0 | Fäste | Clamp Cover | |
| 3 | 2 | 12793301/0 | Skruv | Screw | |
| 4 | 1 | 382000559/1 | Axel | Axle | |
| 5 | 2 | 12155000/0 | Mutter | Nut | |
| 6 | 1 | 125430246/0 | Fjäder | Spring | |
| 7 | 1 | 325547133/1 | Trombocyt | Plate | |
| 8 | 4 | 12731601/0 | Skruv | Screw | |
| 10 | 4 | 12523040/0 | Bricka | Washer | |
| 11 | 1 | 382000617/0 | Axel | Axle | |
| 12 | 1 | 25110274/0 | Clamp Cover Front | Clamp Cover Front | |
| 13 | 4 | 325785354/0 | Stöd | Bracket | |
| 14 | 4 | 325034003/0 | Bussning | Brass | |
| 15 | 4 | 112815271/0 | Skruv | Screw | |
| 16 | 4 | 12154510/0 | Mutter | Nut | |
| 17 | 1 | 325547207/0 | Trombocyt | Plate | |
| 18 | 1 | 125510085/1 | Stift | Pin | |
| 19 | 2 | 25670011/0 | Bricka | Washer | |
| 20 | 1 | 12521350/0 | Bricka | Washer | |
| 21 | 1 | 12000930/0 | Avgasrör | Crown Fastener | |
| 22 | 1 | 125510085/1 | Stift | Pin | |
| 23 | 2 | 25670011/0 | Bricka | Washer | |
| 24 | 1 | 12521350/0 | Bricka | Washer | |
| 25 | 1 | 12000930/0 | Avgasrör | Crown Fastener | |
| 31 | 1 | 382000612/0 | Länk | Rod | |
| 32 | 1 | 12523060/0 | Bricka | Washer | |
| 33 | 1 | 12154510/0 | Mutter | Nut | |
| 34 | 2 | 12523040/0 | Bricka | Washer | |
| 35 | 1 | 12154510/0 | Mutter | Nut | |
| 61 | 1 | 325774477/0 | Fäste | Clamp | |
| 62 | 2 | 12815210/0 | Skruv | Screw | |
| 63 | 2 | 12292102/0 | Mutter | Nut | |
| 64 | 1 | 125040638/0 | Bussning | Bush | |
| 65 | 1 | 325022000/1 | Hake | Hook | |
| 66 | 1 | 12691100/0 | Skruv | Left Screw | |
| 67 | 1 | 12523060/0 | Bricka | Washer | |
| 68 | 1 | 22672152/0 | Bricka | Washer | |
| 69 | 1 | 12155000/0 | Mutter | Nut | |
| 70 | 1 | 125033091/0 | Länk | Rod | |
| 71 | 1 | 24487995/0 | Cotter Pin | Cotter Pin | |
| 72 | 1 | 25430232/0 | Fjäder | Spring | |
| 73 | 1 | 325605002/0 | Tryckring | Button | |
| 74 | 1 | 112726389/0 | Skruv | Screw | |
| 75 | 1 | 12290800/0 | Mutter | Nut | |

OVERLAND 4WD

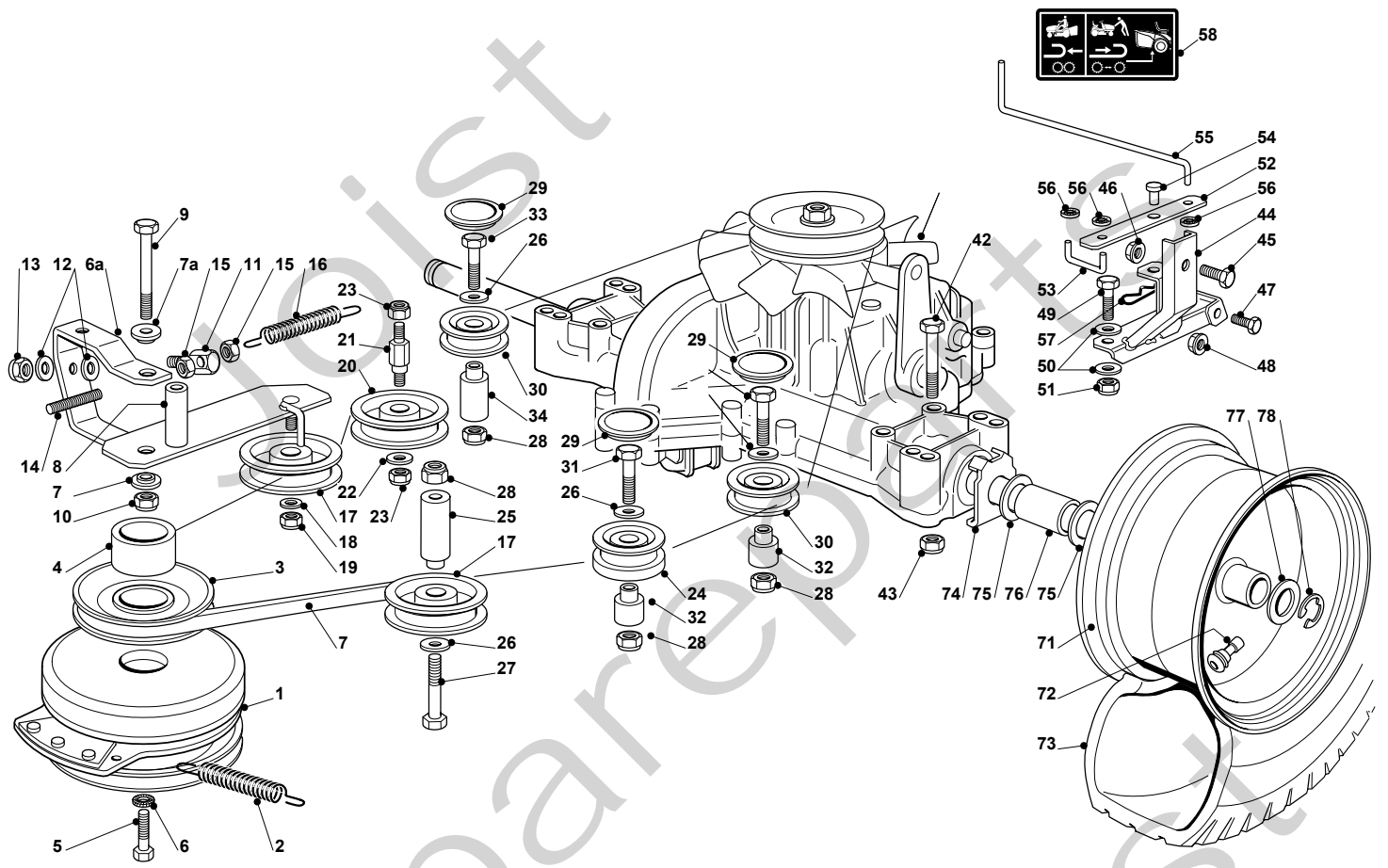




OVERLAND 4WD

| Pos. Fig. | Antal Quantity | Art No Part No | Benämning | Description | Anmärkning Notes |
|-----------|----------------|----------------|-------------------------|--------------------------|------------------|
| 1 | 1 | 25869016/1 | Vevstake | Connecting Tube | |
| 2 | 2 | 18375051/1 | Slangklämma | Fair Led | |
| 3 | 1 | 25430239/1 | Fjäder | Spring | |
| 4 | 1 | 12790781/0 | Skruv | Screw | |
| 5 | 1 | 12292102/0 | Mutter | Nut | |
| 6 | 1 | 25598050/0 | Oil Discharge Extension | Oil Discharge Extension | |
| 7 | 1 | 18737849/0 | Lock | Oil Cap | |
| 8 | 1 | 18401001/1 | Tätningring | Oil Seal | |
| 9 | 3 | 12691100/0 | Skruv | Left Screw | |
| 10 | 3 | 12154210/0 | Mutter | Nut | |
| 11 | 1 | 12691115/0 | Skruv | Left Screw | |
| 12 | 1 | 12540260/0 | Bricka | Washer | |
| 13 | 1 | 12154210/0 | Mutter | Nut | |
| 21 | 1 | 182750009/0 | Ljuddämpare | Muffler | |
| 22 | 2 | 12793301/0 | Skruv | Screw | |
| 23 | 2 | 12540260/0 | Bricka | Washer | |
| 24 | 1 | 118738236/0 | Avgasrör | Exhaust Right Tube | |
| 25 | 1 | 118738237/0 | Avgasrör | Exhaust Left Tube | |
| 26 | 4 | 12735530/0 | Skruv | Screw | |
| 27 | 4 | 12583500/0 | Bricka | Grower | |
| 31 | 1 | 382598043/1 | Skydd | Guard | |
| 32 | 2 | 12791011/0 | Skruv | Screw | |
| 33 | 2 | 12292102/0 | Mutter | Nut | |
| 41 | 1 | 325735125/2 | Tank | Tank | |
| 42 | 1 | 325795003/0 | Cap | Cap | |
| 43 | 2 | 12788910/0 | Skruv | Screw | |
| 44 | 2 | 12500092/0 | Rivet | Rivet | |
| 45 | 1 | 125290002/0 | Fuel Level Indicator | Fuel Level Indicator | |
| 46 | 1 | 325600086/0 | Skydd | Guard | |
| 51 | 1 | 182000214/0 | Gasreglage | Accelerator B&S 22-24 Hp | |
| 52 | 1 | 325592000/0 | Knopp | Knob | |
| 53 | 1 | 125943012/0 | Skruv | Screw | |
| 56 | 2 | 12581200/0 | Grower | Grower | |
| 57 | 2 | 12521310/0 | Bricka | Washer | |
| 59 | 1 | 14360717/0 | Dekal | Label | |
| 61 | 1 | 18736111/0 | Starter Relay | Starter Relay | |
| 62 | 2 | 12791011/0 | Skruv | Screw | |
| 63 | 2 | 12292102/0 | Mutter | Nut | |
| 64 | 2 | 12360352/0 | Mutter | Nut | |
| 65 | 1 | 25065002/0 | Kabel | Cable | |
| 66 | 1 | 18564861/1 | Tätningshylsa | Protection | |

OVERLAND 4WD

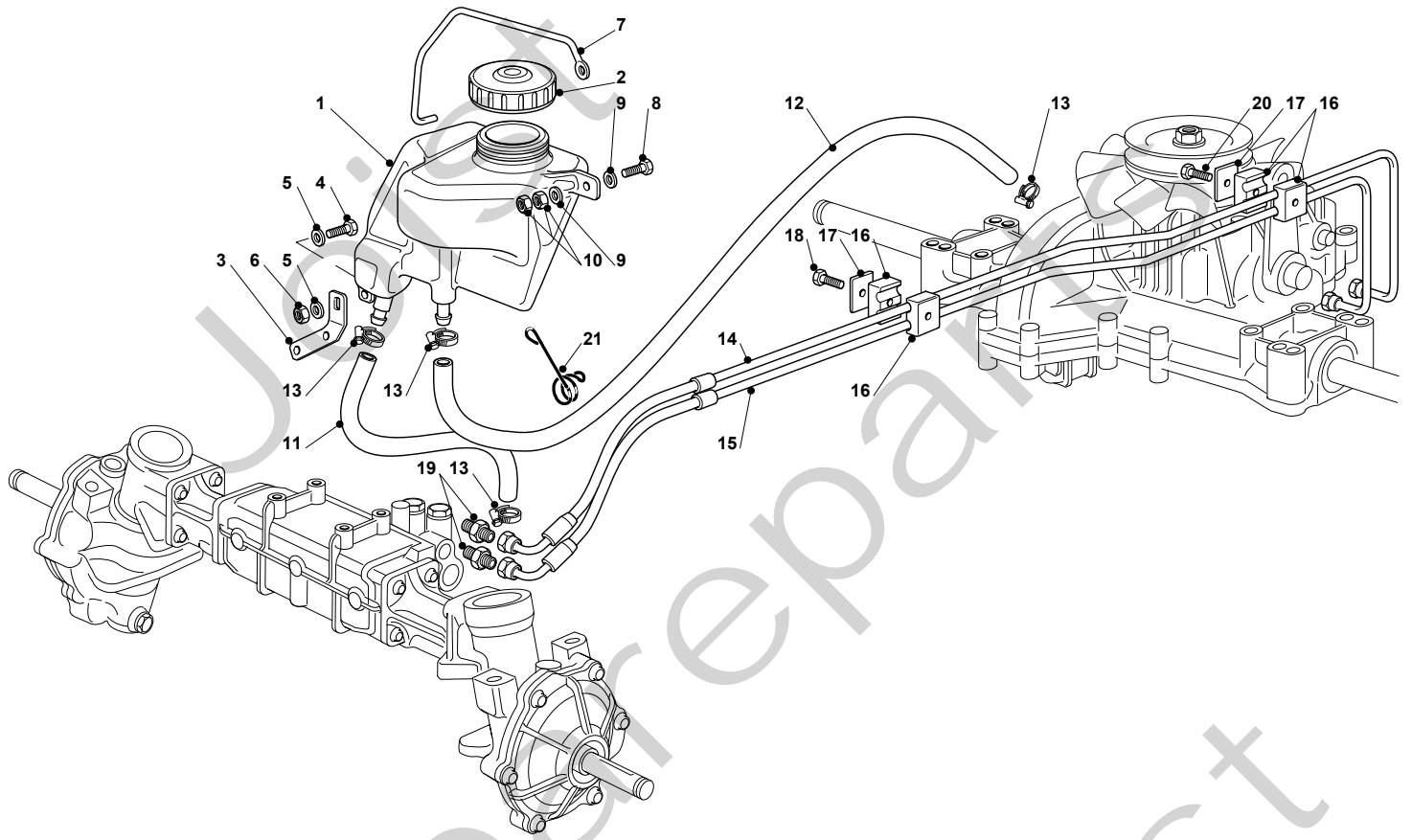




OVERLAND 4WD

| Pos. Fig. | Antal Quantity | Art No Part No | Benämning | Description | Anmärkning Notes |
|-----------|----------------|----------------|---------------------------|---------------------------|------------------|
| 1 | 1 | 118399062/0 | Koppling | Clutch | |
| 2 | 1 | 125430210/1 | Fjäder | Spring | |
| 3 | 1 | 125601580/0 | Remskiva | Pulley | |
| 4 | 1 | 25160021/0 | Distans | Spacer | |
| 5 | 1 | 12737320/0 | Skruv | Screw | |
| 6 | 1 | 12543000/0 | Bricka | Washer | |
| 6a | 1 | 82318165/1 | Spak | Lever | |
| 7 | 1 | 135062002/1 | Drivrem | Belt | |
| 7a | 2 | 25038002/1 | Bussning | Bush | |
| 8 | 1 | 125160054/0 | Distans | Spacer | |
| 9 | 1 | 12692000/0 | Skruv | Screw | |
| 10 | 1 | 12155000/0 | Mutter | Nut | |
| 11 | 1 | 25510040/1 | Stift | Pin | |
| 12 | 2 | 25670011/0 | Bricka | Washer | |
| 13 | 1 | 12155000/0 | Mutter | Nut | |
| 14 | 1 | 125840030/0 | Stång | Tie Rod | |
| 15 | 2 | 12293200/0 | Mutter | Nut | |
| 16 | 1 | 25430219/0 | Fjäder | Spring | |
| 17 | 2 | 25601554/0 | Remskiva | Pulley | |
| 18 | 1 | 12523060/0 | Bricka | Washer | |
| 19 | 1 | 12155000/0 | Mutter | Nut | |
| 20 | 1 | 25601555/0 | Remskiva | Pulley | |
| 21 | 1 | 25510036/1 | Stift | Pin | |
| 22 | 1 | 12523060/0 | Bricka | Washer | |
| 23 | 2 | 12155000/0 | Mutter | Nut | |
| 24 | 1 | 325601584/1 | Remskiva | Pulley | |
| 25 | 1 | 125160060/0 | Distans | Spacer | |
| 26 | 4 | 12523060/0 | Bricka | Washer | |
| 27 | 2 | 12691115/0 | Skruv | Left Screw | |
| 28 | 4 | 12155000/0 | Mutter | Nut | |
| 29 | 3 | 25109521/1 | Kåpa | Cover | |
| 30 | 2 | 325601570/1 | Remskiva | Pulley | |
| 31 | 2 | 12691115/0 | Skruv | Left Screw | |
| 32 | 2 | 125160030/2 | Distans | Left Spacer | |
| 33 | 1 | 12691400/0 | Skruv | Right Screw | |
| 34 | 1 | 125160024/2 | Distans | Long Spacer | |
| 41 | 1 | 118400975/0 | Rear Axle Tuff Torq K574D | Rear Axle Tuff Torq K574D | |
| 42 | 4 | 12691800/0 | Skruv | Screw | |
| 43 | 4 | 12154210/0 | Mutter | Nut | |
| 44 | 1 | 382785175/0 | Stöd | Support | |
| 45 | 1 | 12735120/0 | Skruv | Screw | |
| 46 | 1 | 12293201/0 | Mutter | Nut | |
| 47 | 1 | 12792611/0 | Skruv | Screw | |
| 48 | 1 | 12293201/0 | Mutter | Nut | |
| 49 | 1 | 12691115/0 | Skruv | Left Screw | |
| 50 | 2 | 12521350/0 | Bricka | Washer | |
| 51 | 1 | 12155000/0 | Mutter | Nut | |
| 52 | 1 | 325547229/0 | Spak | Lever | |
| 53 | 1 | 125580031/0 | Länk | Rod | |
| 54 | 1 | 27510111/0 | Stift | Pin | |
| 55 | 1 | 125033079/0 | Länk | Rod | |
| 56 | 3 | 12604896/0 | Skruv | Crown Fastener | |
| 57 | 1 | 124487997/0 | Cotter Pin | Cotter Pin | |
| 58 | 1 | 114363696/0 | Dekal | Label | |
| 71 | 2 | 182000602/0 | Rimm | Rimm | |
| 72 | 2 | 25950000/0 | Ventil | Valve | |
| 73 | 2 | 125590013/0 | Dack | Tire | |
| 74 | 2 | 325670025/0 | Bricka | Washer | |
| 75 | 4 | 112521410/0 | Bricka | Washer | |
| 76 | 2 | 25160023/0 | Distans | Spacer | |
| 77 | 2 | 25670005/1 | Bricka | Washer | |
| 78 | 2 | 12001010/0 | Låsring | Benzing | |

OVERLAND 4WD

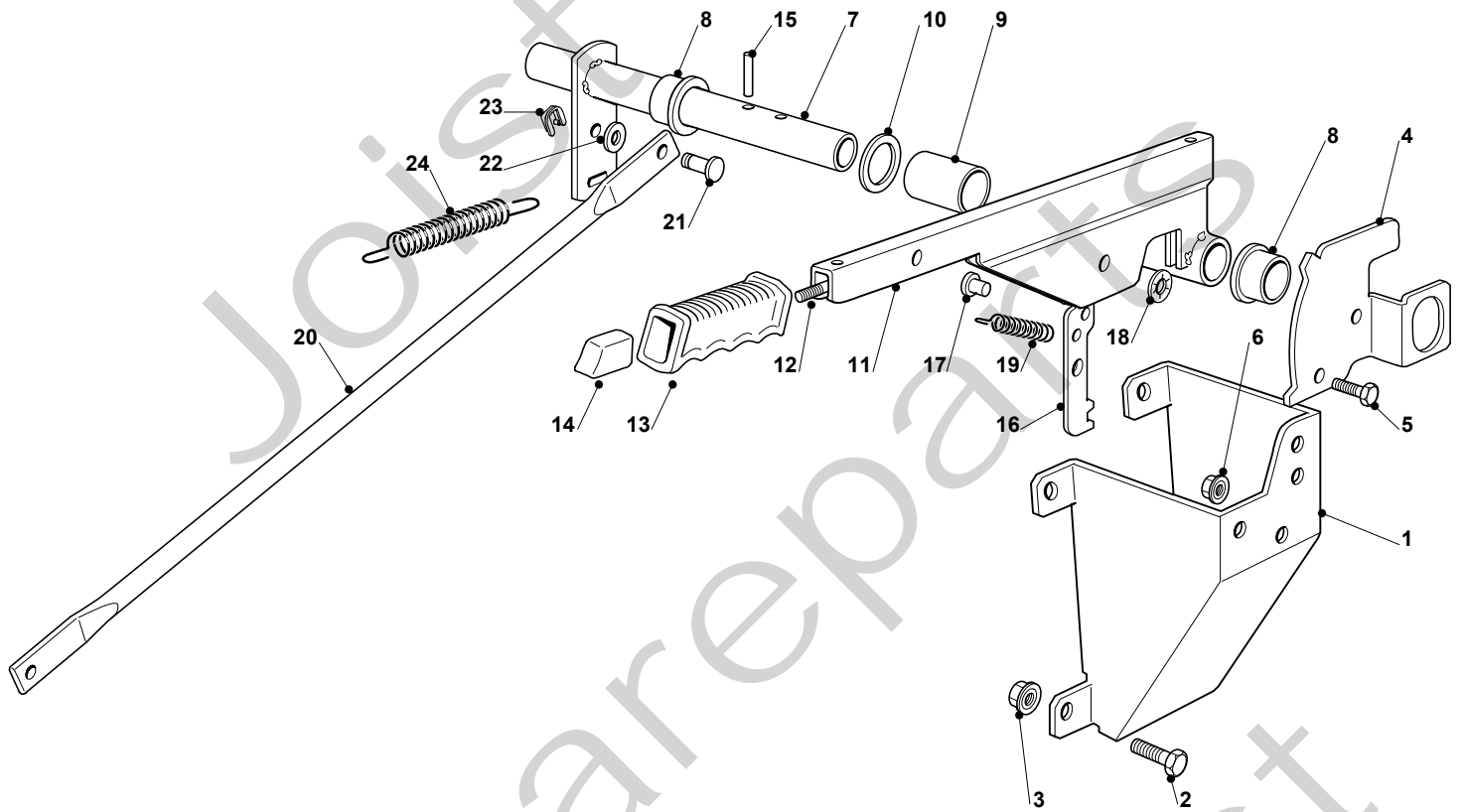




OVERLAND 4WD

| Pos. Flg. | Antal Quantity | Art. No. Part No | Benämning Tank | Tank | Anmärkning Notes |
|-----------|----------------|------------------|-----------------|-----------------|------------------|
| 2 | 1 | 125795002/0 | Lock | Cap | |
| 3 | 1 | 325755059/0 | Fästvinkel | Bracket | |
| 4 | 1 | 12789100/0 | Skruv | Screw | |
| 5 | 2 | 12521320/0 | Bricka | Washer | |
| 6 | 1 | 12154330/0 | Mutter | Nut | |
| 7 | 1 | 125600085/0 | Skydd | Guard | |
| 8 | 1 | 12789100/0 | Skruv | Screw | |
| 9 | 2 | 12521320/0 | Bricka | Washer | |
| 10 | 2 | 12154330/0 | Mutter | Nut | |
| 11 | 1 | 325869076/0 | Vevstake | Connecting Tube | |
| 12 | 1 | 325869077/0 | Vevstake | Connecting Tube | |
| 13 | 4 | 118375059/0 | Fair Led | Fair Led | |
| 14 | 1 | 382869200/1 | Vevstake | Connecting Tube | |
| 15 | 1 | 382869201/0 | Vevstake | Connecting Tube | |
| 16 | 4 | 325721000/0 | Stöd | Support | |
| 17 | 2 | 325547249/0 | Trombocyt | Plate | |
| 18 | 1 | 12689515/0 | Skruv | Screw | |
| 19 | 2 | 125651001/0 | Tube Connection | Tube Connection | |
| 20 | 1 | 12674700/0 | Skruv | Screw | |
| 21 | 1 | 25430239/1 | Fjäder | Spring | |

OVERLAND 4WD

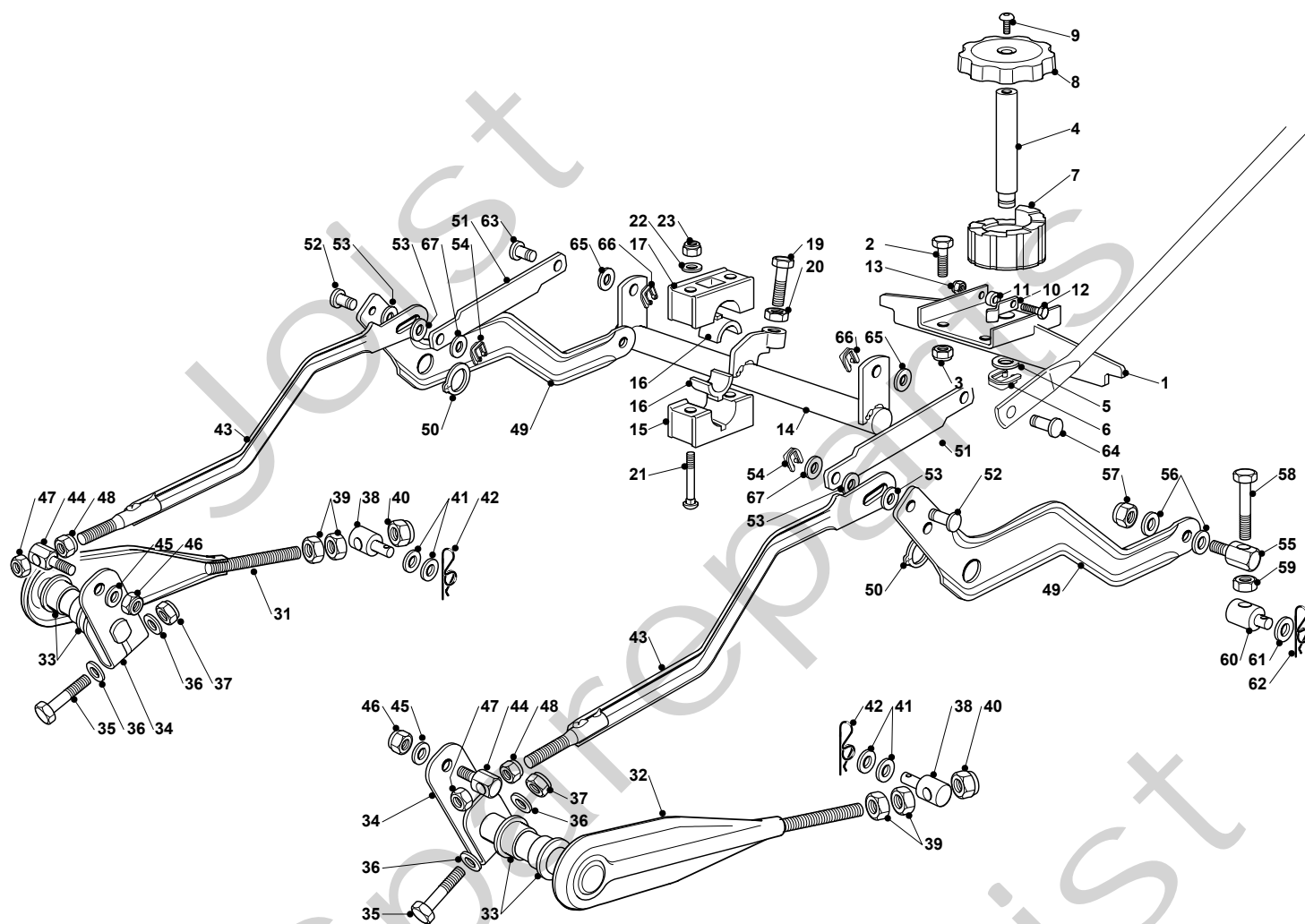




OVERLAND 4WD

| Pos. Fig. | Antal Quantity | Art No Part No | Benämning | Description | Anmärkning Notes |
|-----------|----------------|----------------|-----------|----------------|------------------|
| 1 | 1 | 325785137/1 | Stöd | Support | |
| 2 | 4 | 12791011/0 | Skruv | Screw | |
| 3 | 4 | 12292102/0 | Mutter | Nut | |
| 4 | 1 | 325735521/0 | Sector | Sector | |
| 5 | 2 | 12793102/0 | Skruv | Screw | |
| 6 | 2 | 12293201/0 | Mutter | Nut | |
| 7 | 1 | 382000551/0 | Axel | Axle | |
| 8 | 2 | 22034523/0 | Bussning | Bush | |
| 9 | 1 | 25160025/0 | Distans | Spacer | |
| 10 | 1 | 22672153/0 | Bricka | Washer | |
| 11 | 1 | 382318241/0 | Spak | Lever | |
| 12 | 1 | 25033002/0 | Länk | Rod | |
| 13 | 1 | 25394504/1 | Knopp | Knob | |
| 14 | 1 | 25605000/1 | Tryckring | Button | |
| 15 | 2 | 12620206/0 | Stift | Pin | |
| 16 | 1 | 25470901/0 | Dog | Dog | |
| 17 | 1 | 25510011/0 | Stift | Pin | |
| 18 | 1 | 12604899/0 | Låsbricka | Crown Fastener | |
| 19 | 1 | 25430208/0 | Fjäder | Spring | |
| 20 | 1 | 325033077/0 | Vevstake | Connecting Rod | |
| 21 | 1 | 125510117/0 | Stift | Pin | |
| 22 | 1 | 25670011/0 | Bricka | Washer | |
| 23 | 7 | 12436050/0 | Trombocyt | Plate | |
| 24 | 1 | 25430218/0 | Fjäder | Spring | |

OVERLAND 4WD

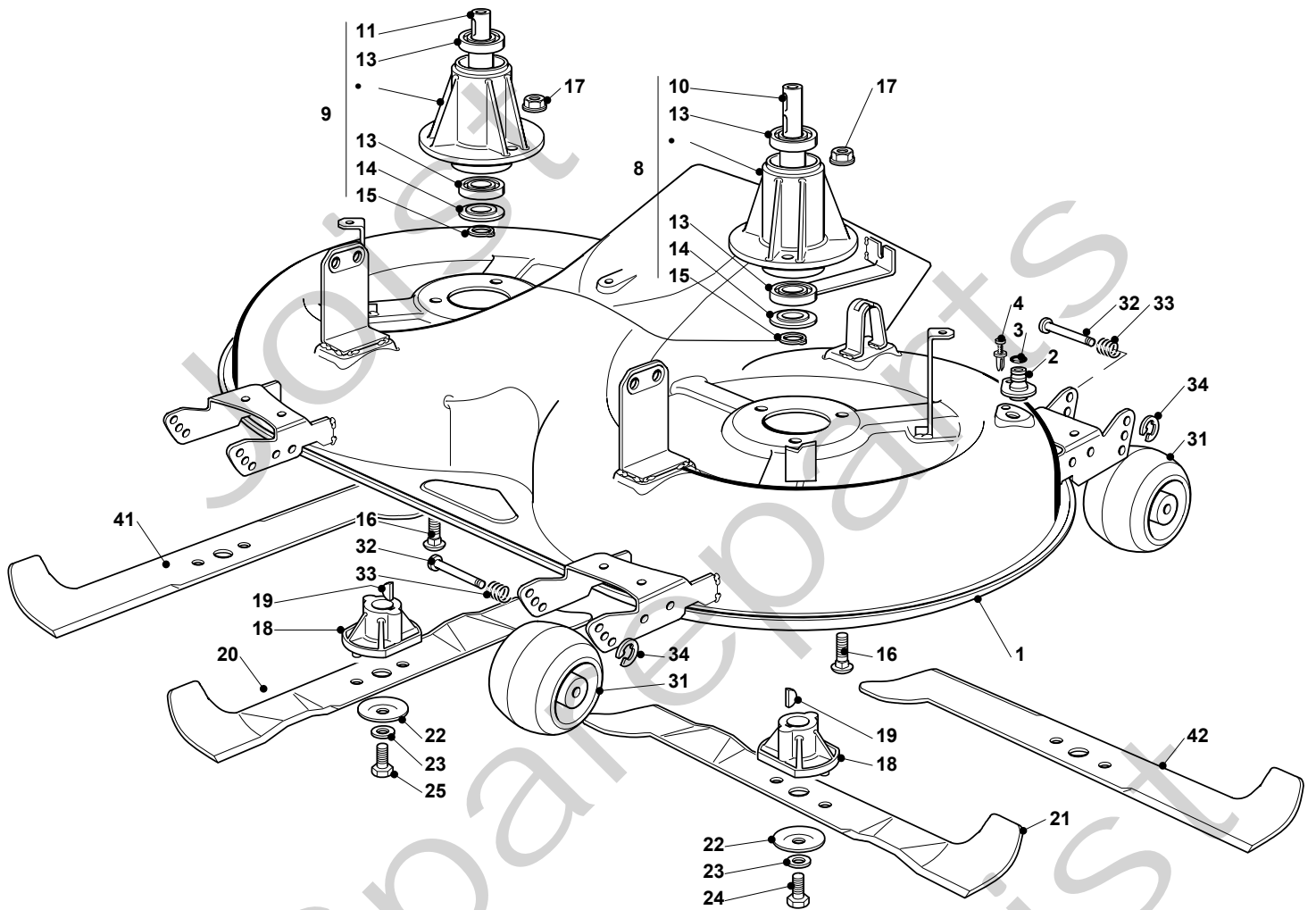




OVERLAND 4WD

| Pos. Fig. | Antal Quantity | Art No Part No | Benämning | on | Anmärkning Notes |
|-----------|----------------|----------------|------------------------|----------------|------------------|
| 1 | 1 | 382785181/1 | Stöd | Bracket | |
| 2 | 2 | 12818690/0 | Skruv | Screw | |
| 3 | 2 | 12293201/0 | Mutter | Nut | |
| 4 | 1 | 125520009/0 | Axel | Axle | |
| 5 | 1 | 22672151/0 | Bricka | Washer | |
| 6 | 1 | 12436030/0 | Trombocyt | Plate | |
| 7 | 1 | 325060037/0 | Fäste | Cam | |
| 8 | 1 | 325394530/0 | Knopp | Knob | |
| 9 | 1 | 112760600/0 | Skruv | Screw | |
| 10 | 1 | 325430267/0 | Fjäder | Spring | |
| 11 | 1 | 22170600/0 | Distans | Spacer | |
| 12 | 1 | 12789195/0 | Skruv | Screw | |
| 13 | 1 | 12154320/0 | Mutter | Nut | |
| 14 | 1 | 382000615/0 | Axel | Axle | |
| 15 | 2 | 325785355/0 | Stöd | Bracket | |
| 16 | 4 | 325034003/0 | Bussning | Brass | |
| 17 | 2 | 325785354/0 | Stöd | Bracket | |
| 19 | 1 | 125943005/0 | Skruv | Screw | |
| 20 | 1 | 12295200/0 | Mutter | Nut | |
| 21 | 4 | 112815271/0 | Skruv | Screw | |
| 22 | 4 | 12523040/0 | Bricka | Washer | |
| 23 | 4 | 12154510/0 | Mutter | Nut | |
| 31 | 1 | 82318159/0 | Right Lever (Mod. 122) | Right Lever | |
| 32 | 1 | 82318161/0 | Left Lever (Mod. 122) | Left Lever | |
| 33 | 4 | 25040605/0 | Kompass | Bush | |
| 34 | 2 | 25318161/0 | Arm | Lever | |
| 35 | 2 | 12691700/0 | Skruv | Screw | |
| 36 | 4 | 12521350/0 | Bricka | Washer | |
| 37 | 2 | 12155000/0 | Mutter | Nut | |
| 38 | 2 | 125510069/1 | Stift | Pin | |
| 39 | 4 | 12295200/0 | Mutter | Nut | |
| 40 | 2 | 12156602/0 | Mutter | Nut | |
| 41 | 4 | 25670008/1 | Bricka | Washer | |
| 42 | 2 | 24487998/0 | Låsnål | Cotter Pin | |
| 43 | 2 | 82000477/2 | Vevstake | Connecting Rod | |
| 44 | 2 | 125510055/1 | Stift | Pin | |
| 45 | 2 | 12521350/0 | Bricka | Washer | |
| 46 | 2 | 12155000/0 | Mutter | Nut | |
| 47 | 2 | 12155000/0 | Mutter | Nut | |
| 48 | 2 | 12293200/0 | Mutter | Nut | |
| 49 | 2 | 25318153/1 | Spännarm | Rear Lever | |
| 50 | 2 | 12609255/0 | Seegerring | Seeger | |
| 51 | 2 | 325318223/0 | Spak | Lever | |
| 52 | 2 | 125510048/1 | Stift | Pin | |
| 53 | 4 | 25670011/0 | Bricka | Washer | |
| 54 | 2 | 12436050/0 | Trombocyt | Plate | |
| 55 | 2 | 25510056/0 | Stift | Pin | |
| 56 | 4 | 25670008/1 | Bricka | Washer | |
| 57 | 2 | 12156602/0 | Mutter | Nut | |
| 58 | 2 | 12794985/0 | Skruv | Screw | |
| 59 | 2 | 12295200/0 | Mutter | Nut | |
| 60 | 2 | 25510070/0 | Stift | Pin | |
| 61 | 2 | 12523090/0 | Bricka | Washer | |
| 62 | 2 | 24487998/0 | Låsnål | Cotter Pin | |
| 63 | 1 | 125510117/0 | Stift | Pin | |
| 64 | 1 | 125510048/1 | Stift | Pin | |
| 65 | 2 | 25670011/0 | Bricka | Washer | |
| 66 | 2 | 12436050/0 | Trombocyt | Plate | |
| 67 | 2 | 12521350/0 | Bricka | Washer | |

OVERLAND 4WD

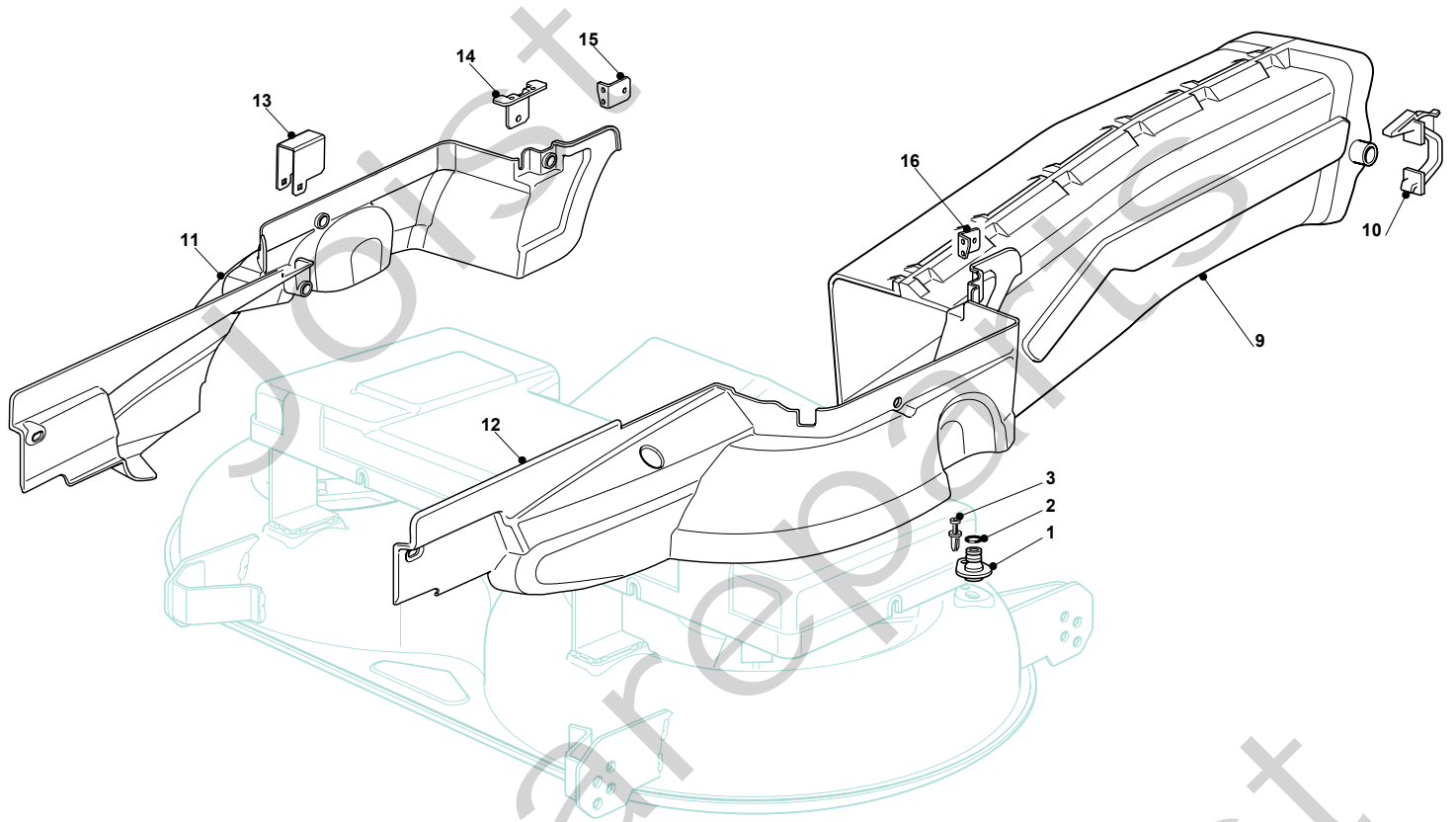




OVERLAND 4WD

| Pos. Fig. | Antal Quantity | Art No Part No | Benämning | Description | Anmärkning Notes |
|-----------|----------------|----------------|------------------------|---|------------------|
| 1 | 1 | 382564215/0 | Cutting Plate Yellow | Cutting Plate Yellow | |
| 2 | 2 | 25033060/0 | Water Hose Connection | Water Hose Connection | |
| 3 | 2 | 19035000/0 | O-ring | Or Ring | |
| 4 | 2 | 12500030/0 | Rivet | Rivet | |
| 8 | 1 | 82207200/1 | Main Shaft Support | Main Shaft Support | |
| 9 | 1 | 82207201/2 | Fläns | Secondary Shaft Support | |
| 10 | 1 | 25020800/1 | Knivaxel | Main Blade Shaft | |
| 11 | 1 | 25020801/2 | Knivaxel | Secondary Blade Shaft | |
| 13 | 4 | 19216032/0 | Kullager | Bearing | |
| 14 | 2 | 25160501/0 | Dammskydd | Dust Cover | |
| 15 | 2 | 12609260/0 | Seeger | Seeger | |
| 16 | 6 | 12818700/0 | Skruv | Screw | |
| 17 | 6 | 12154210/0 | Mutter | Nut | |
| 18 | 2 | 25463200/0 | Knivfäste | Blade Hub | |
| 19 | 2 | 12139100/0 | Kil | Feather, Crankshaft Ø 22.2 | |
| 20 | 1 | 82004350/0 | Kniv | Right Blade Mulching, Winged (Mod. 122) | |
| 21 | 1 | 82004349/0 | Kniv | Left Blade Mulching, Winged (Mod. 122) | |
| 22 | 2 | 22160400/0 | Dammskydd | Dust Cover | |
| 23 | 2 | 12523080/0 | Bricka | Washer | |
| 24 | 1 | 12735694/0 | Skruv | Screw | |
| 25 | 1 | 12735695/1 | Skruv | Screw | |
| 31 | 4 | 182700004/0 | Anti Scalp Wheel Ø 100 | Anti Scalp Wheel Ø 100 | |
| 32 | 4 | 125510121/0 | Stift | Pin | |
| 33 | 4 | 22450115/0 | Fjäder | Spring | |
| 34 | 4 | 12000930/0 | Avgasrör | Crown Fastener | |
| 41 | 1 | 82004343/0 | Kniv | Right Blade, Winged (Mod. 122) | |
| 42 | 1 | 82004342/0 | Kniv | Left Blade, Winged (Mod. 122) | |

OVERLAND 4WD

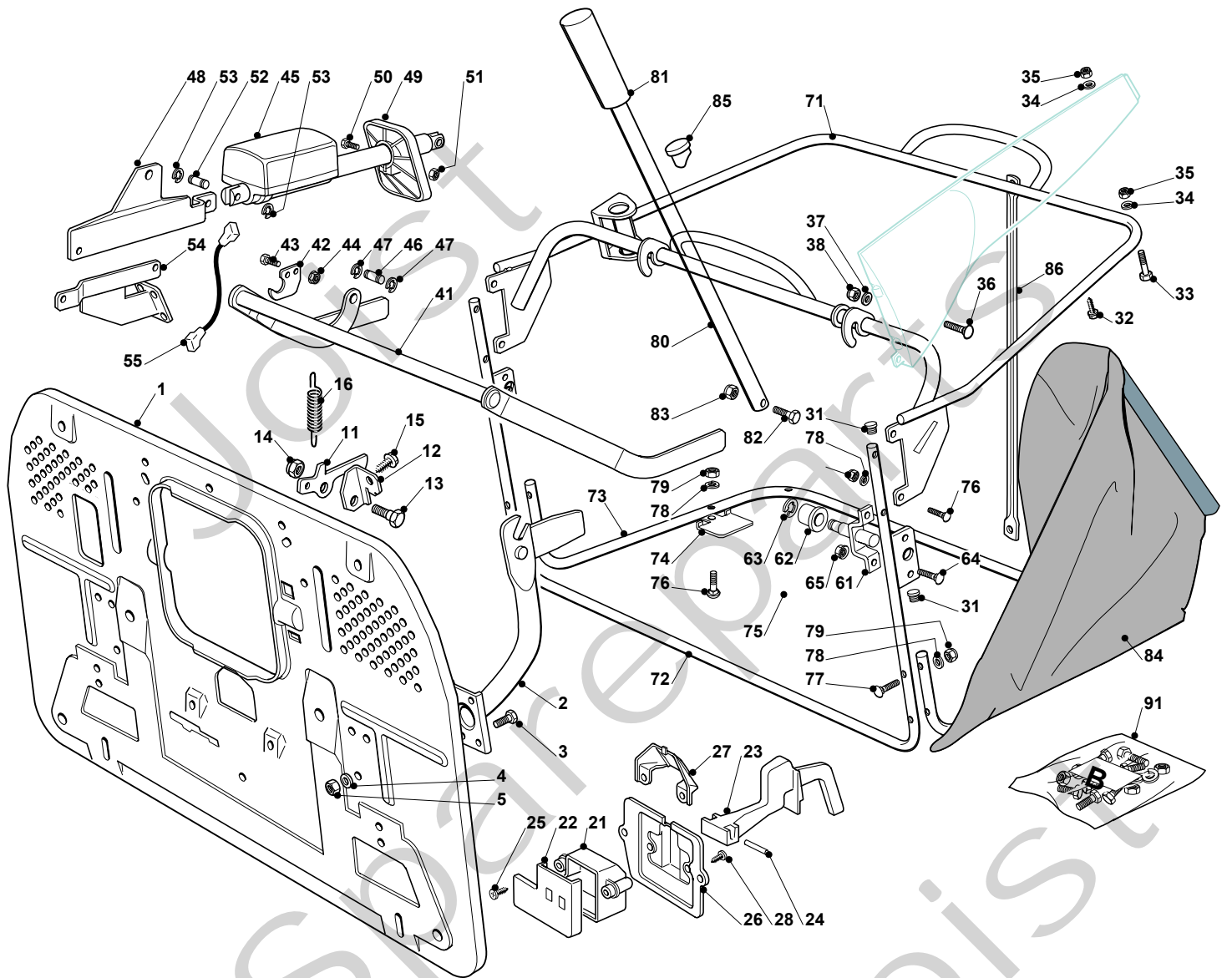




OVERLAND 4WD

| Pos. Fig. | Antal Quantity | Art No Part No | Benämning | Description | Anmärkning Notes |
|-----------|----------------|----------------|-----------------------|-----------------------|------------------|
| 1 | 2 | 25033060/0 | Water Hose Connection | Water Hose Connection | |
| 2 | 2 | 19035000/0 | O-ring | Or Ring | |
| 3 | 2 | 12500030/0 | Rivet | Rivet | |
| 9 | 1 | 382108019/0 | Inmatningstratt | Conveyor | |
| 10 | 2 | 25774373/0 | Fäste | Clamp | |
| 11 | 1 | 325060152/0 | Skydd | Protection | |
| 12 | 1 | 325060153/0 | Skydd | Protection | |
| 13 | 2 | 325774267/0 | Fäste | Clamp | |
| 14 | 2 | 325774423/0 | Fäste | Clamp | |
| 15 | 1 | 325774425/0 | Fäste | Clamp | |
| 16 | 1 | 325774421/0 | Fäste | Clamp | |

OVERLAND 4WD

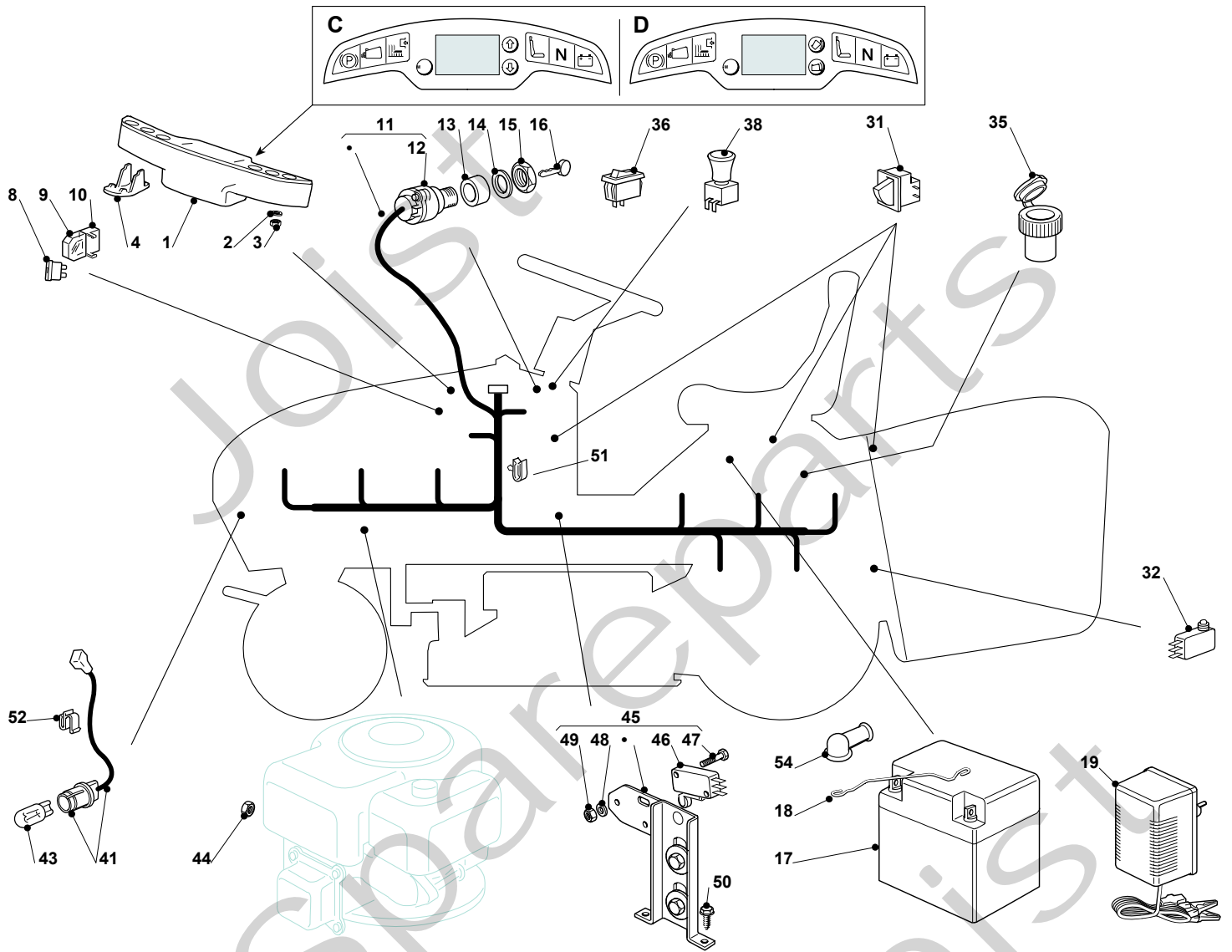




OVERLAND 4WD

| Pos. Fig. | Antal Quantity | Art No Part No | Benämning | Description | Anmärkning Notes |
|-----------|----------------|----------------|----------------------|------------------|------------------|
| 1 | 1 | 382547053/0 | Tavla | Plate | |
| 2 | 2 | 82774245/0 | Stöd | Support | |
| 3 | 6 | 12793102/0 | Skruv | Screw | |
| 4 | 6 | 12523060/0 | Bricka | Washer | |
| 5 | 6 | 12293201/0 | Mutter | Nut | |
| 11 | 1 | 325774417/0 | Fäste | Clamp | |
| 12 | 1 | 325755031/1 | Fäste | Bracket | |
| 13 | 1 | 125510080/1 | Stift | Pin | |
| 14 | 1 | 12292102/0 | Mutter | Nut | |
| 15 | 1 | 12735122/0 | Skruv | Screw | |
| 16 | 1 | 27430579/0 | Fjäder | Spring | |
| 21 | 1 | 25600041/0 | Skydd | Micro Protection | |
| 22 | 1 | 25600042/0 | Överbelastningsskydd | Protection Cover | |
| 23 | 1 | 25318124/0 | Arm | Lever | |
| 24 | 1 | 12400030/0 | Stift | Pin | |
| 25 | 1 | 12728510/0 | Skruv | Screw | |
| 26 | 1 | 25785272/0 | Knivskydd | Micro Protection | |
| 27 | 1 | 25600048/0 | Överbelastningsskydd | Protection Cover | |
| 28 | 2 | 12728450/0 | Skruv | Screw | |
| 31 | 4 | 18566110/0 | Skydd-grå | Cap | |
| 32 | 4 | 12735410/0 | Skruv | Screw | |
| 33 | 2 | 12689500/0 | Skruv | Screw | |
| 34 | 4 | 12521330/0 | Bricka | Washer | |
| 35 | 4 | 12154510/0 | Mutter | Nut | |
| 36 | 2 | 12815220/0 | Skruv | Screw | |
| 37 | 2 | 12521330/0 | Bricka | Washer | |
| 38 | 2 | 12154510/0 | Mutter | Nut | |
| 41 | 1 | 82000507/0 | Axel | Axle | |
| 42 | 2 | 25774317/0 | Trombocyt | Plate | |
| 43 | 4 | 12815210/0 | Skruv | Screw | |
| 44 | 4 | 12154510/0 | Mutter | Nut | |
| 45 | 1 | 18001000/0 | Aktuator | Actuator | |
| 46 | 1 | 25510083/0 | Stift | Pin | |
| 47 | 2 | 12000955/0 | Låsring | Circlip | |
| 48 | 1 | 25785197/0 | Stöd | Support | |
| 49 | 1 | 25600060/0 | Skydd | Protection | |
| 50 | 1 | 12727795/0 | Skruv | Screw | |
| 51 | 1 | 12154330/0 | Mutter | Nut | |
| 52 | 1 | 25510083/0 | Stift | Pin | |
| 53 | 2 | 12000955/0 | Låsring | Circlip | |
| 54 | 1 | 82650209/0 | Reduktion | Stiffening | |
| 55 | 1 | 125065030/0 | Connecting Cable | Connecting Cable | |
| 61 | 2 | 82785147/0 | Stöd | Support | |
| 62 | 2 | 25690001/0 | Sprint | Roll | |
| 63 | 2 | 12000956/0 | Låsring | Benzing | |
| 64 | 4 | 12818690/0 | Skruv | Screw | |
| 65 | 4 | 12293201/0 | Mutter | Nut | |
| 71 | 1 | 382800123/1 | Chassi | Upper Frame | |
| 72 | 1 | 382800089/1 | Front Frame | Front Frame | |
| 73 | 1 | 325800031/0 | Chassi | Lower Frame | |
| 74 | 1 | 25547131/0 | Trombocyt | Plate | |
| 75 | 1 | 382650039/0 | Trådbygel | Lower Stiffening | |
| 76 | 6 | 12815220/0 | Skruv | Screw | |
| 77 | 4 | 12815245/0 | Skruv | Screw | |
| 78 | 10 | 12521330/0 | Bricka | Washer | |
| 79 | 10 | 12154510/0 | Mutter | Nut | |
| 80 | 1 | 25869029/1 | Rör | Rod | |
| 81 | 1 | 25394508/0 | Handtag | Handle | |
| 82 | 1 | 12674550/0 | Skruv | Screw | |
| 83 | 1 | 12154510/0 | Mutter | Nut | |
| 84 | 1 | 182105945/0 | Uppsamlare | Grasscatcher | |
| 85 | 1 | 25120232/0 | Lock | Cap | |
| 86 | 1 | 325650159/0 | Trådbygel | Rear Stiffening | |
| 91 | 1 | 382180117/0 | Screws Outfit | Screws Outfit | |

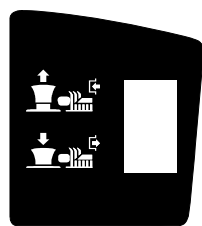
OVERLAND 4WD



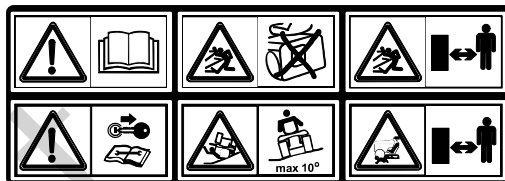


OVERLAND 4WD

| Pos. Fig. | Antal Quantity | Art No Part No | Benämning | Description | Anmärkning Notes |
|-----------|----------------|----------------|----------------------------|----------------------------|------------------|
| 1 | 1 | 382722422/3 | Cards + Guards (D) | Cards + Guards (D) | |
| 2 | 2 | 12521320/0 | Bricka | Washer | |
| 3 | 2 | 12154330/0 | Mutter | Nut | |
| 4 | 1 | 25031501/0 | Deflektor | Deflector | |
| 8 | 1 | 33340035/0 | Säkring | Fuse 15 A | |
| 8 | 1 | 33340036/0 | Säkring | Fuse 25 A | |
| 8 | 1 | 33340040/0 | Säkring | Fuse 10A | |
| 9 | 3 | 33215000/0 | Kåpa | Cover | |
| 10 | 3 | 33500007/0 | Säkring | Fuse Carrier | |
| 11 | 1 | 182040149/0 | Kabel | Cables Ass.Y | |
| 12 | 1 | 18450072/0 | Brytare | Starting Switch | |
| 13 | 1 | 18550136/0 | Distans | Spacer | |
| 14 | 1 | 18550135/0 | Bricka | Washer | |
| 15 | 1 | 18400862/0 | Ringmutter | Ringnut | |
| 16 | 1 | 18210022/0 | Starting Key | Starting Key | |
| 17 | 1 | 118120057/0 | Batteri | Battery | |
| 18 | 1 | 25430230/0 | Fjäder | Spring | |
| 19 | 1 | 182180090/0 | Batteriladdare | Battery Charger | |
| 31 | 3 | 119410615/0 | Brytare | Micro | |
| 32 | 1 | 19410605/1 | Brytare | Full Grasscat. Microsw. | |
| 33 | 1 | 19410609/0 | Neutral Switch (Hydro) | Neutral Switch (Hydro) | |
| 35 | 1 | 9400-0317-01 | Auxiliary Accessory Socket | Auxiliary Accessory Socket | |
| 36 | 1 | 18450060/1 | Farilamp Switch | Farilamp Switch | |
| 38 | 1 | 18450068/0 | Kopplingshus | Clutch Switch | |
| 41 | 1 | 82040073/0 | Kabel | Cable | |
| 43 | 2 | 18459100/0 | Farilamp For Lights | Farilamp For Lights | |
| 44 | 1 | 12361005/0 | Mutter | Nut | |
| 51 | 5 | 33320506/0 | Kabelhållare | Fairled | |
| 52 | 1 | 33320504/0 | Kabelhållare | Fairled | |
| 54 | 1 | 18564864/1 | Tätningshylsa | Protection | |



18



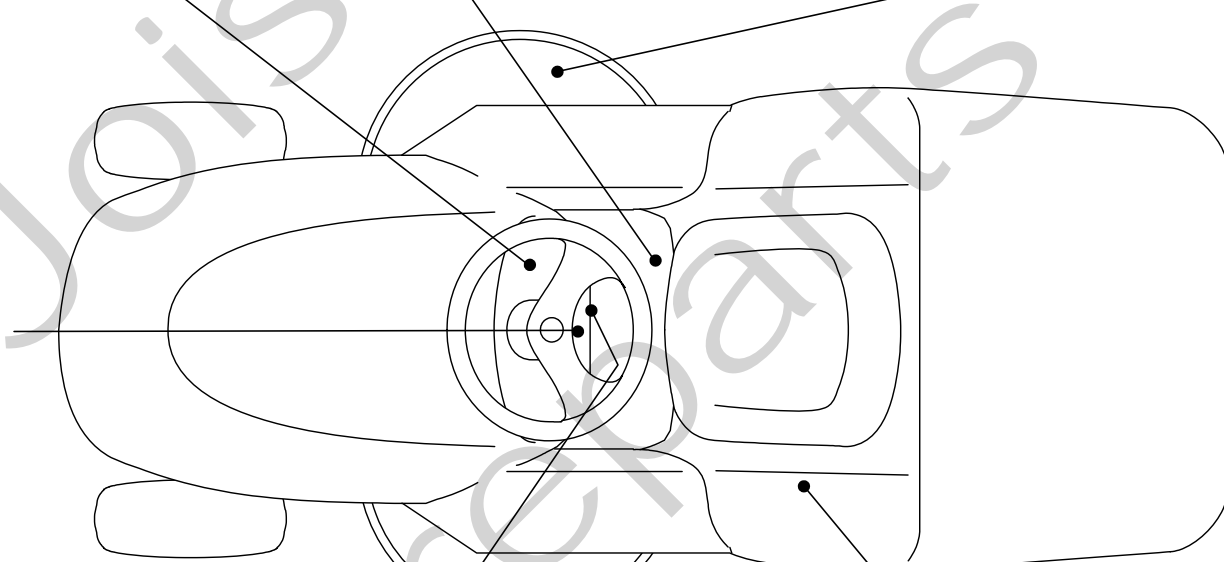
1



10



5



8



10



17



13

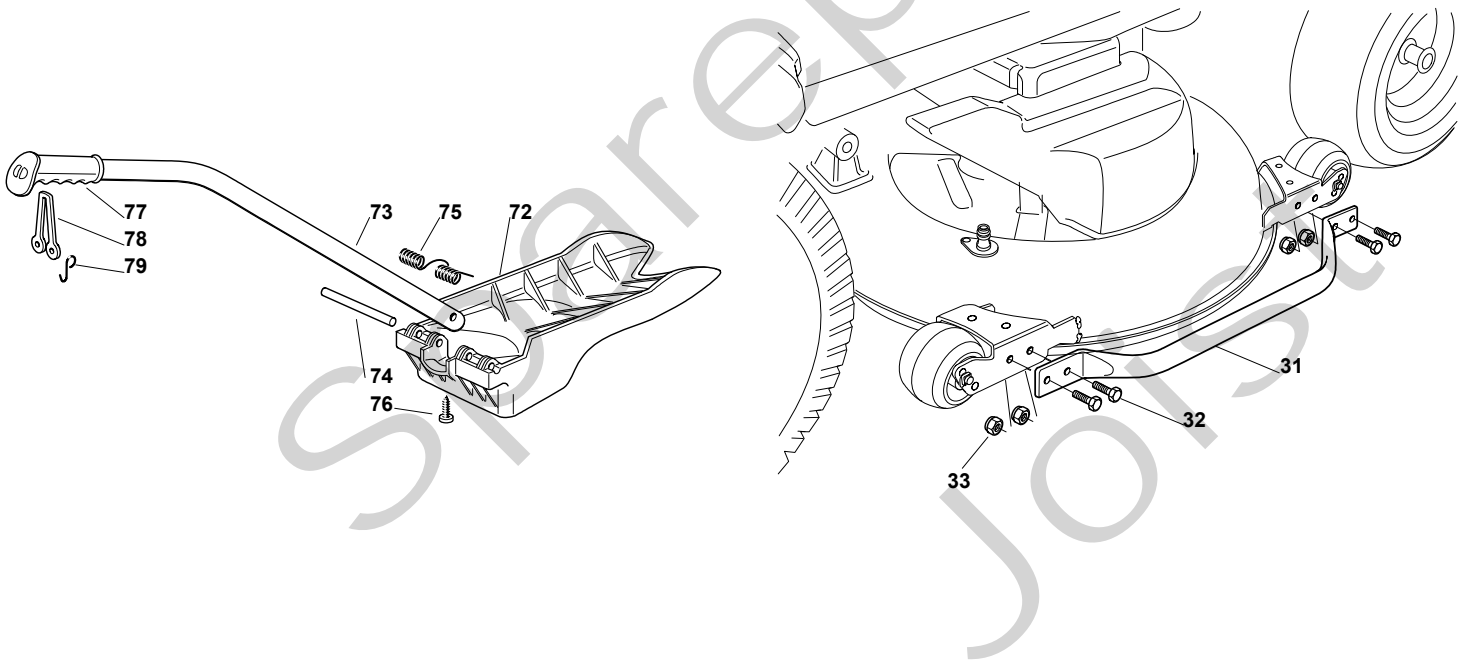
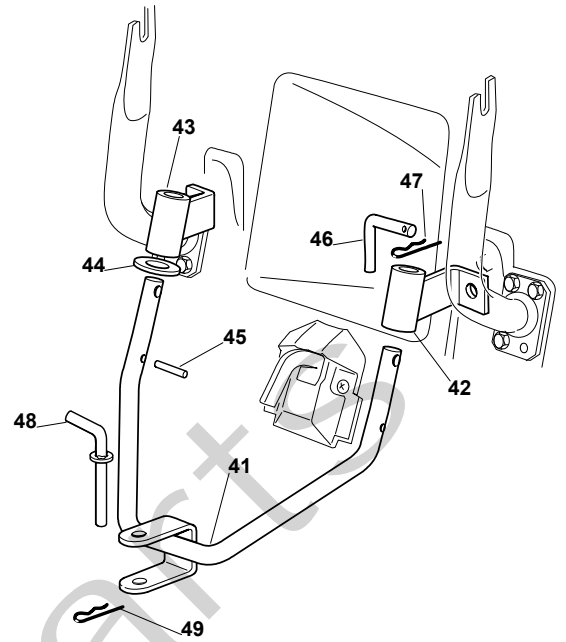
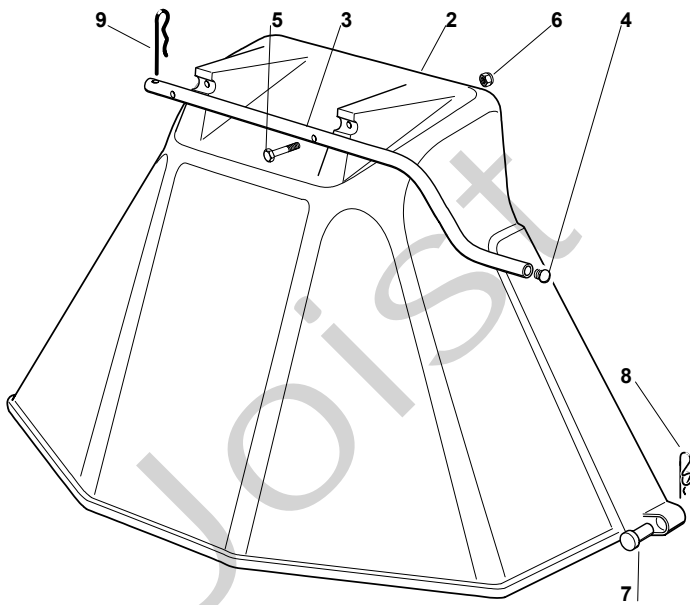




OVERLAND 4WD

| Pos. Fig. | Antal Quantity | Art No Part No | Benämning | Description | Anmärkning Notes |
|-----------|----------------|----------------|-----------|-------------|------------------|
| 1 | 1 | 14361553/0 | Dekal | Label | |
| 5 | 1 | 11436512/0 | Dekal | Label | |
| 10 | 2 | 114356699/1 | Dekal | Label | |
| 13 | 1 | 14357913/0 | Dekal | Label | |
| 17 | 1 | 114363414/0 | Dekal | Label | |
| 18 | 1 | 14360715/2 | Dekal | Label | |

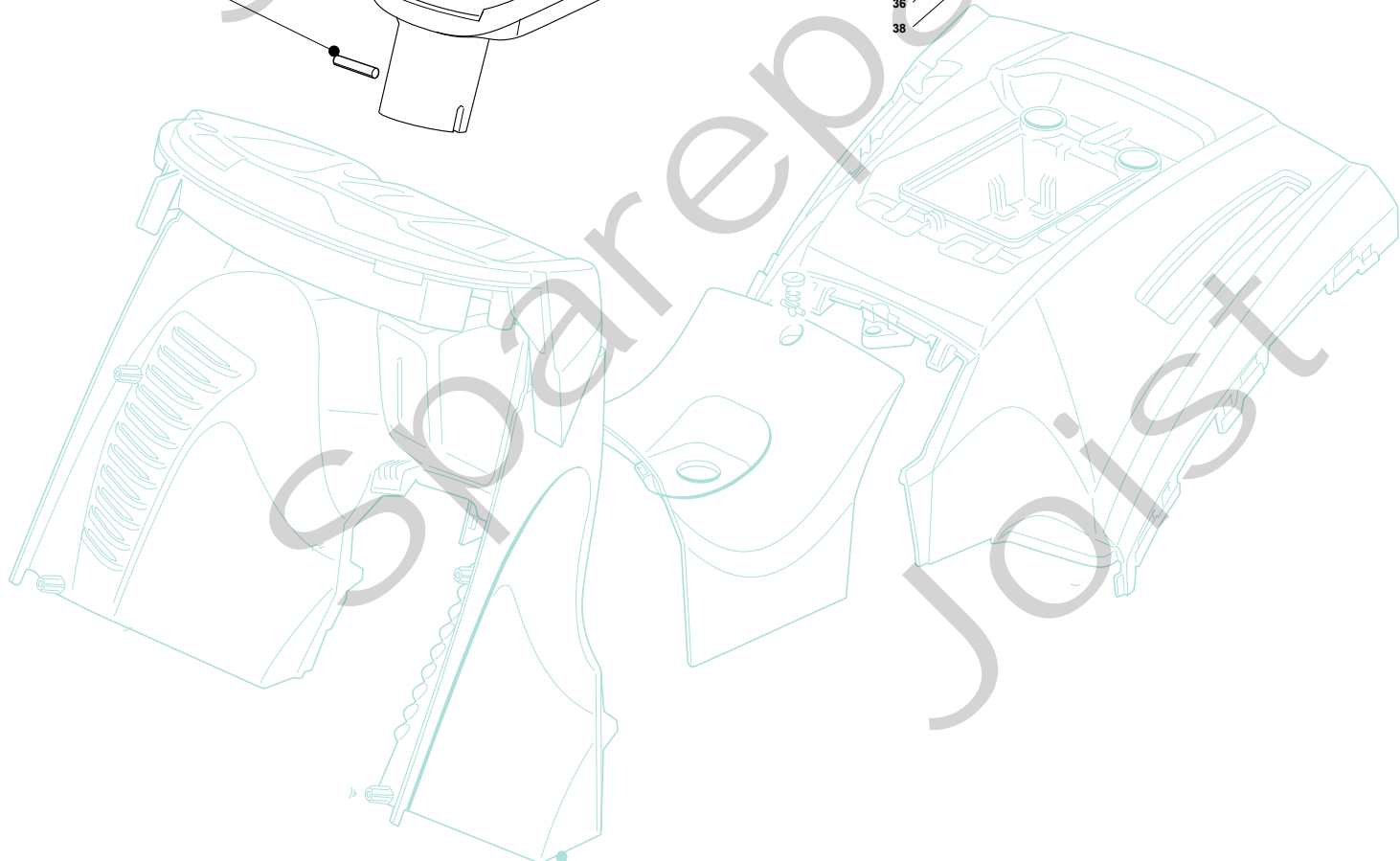
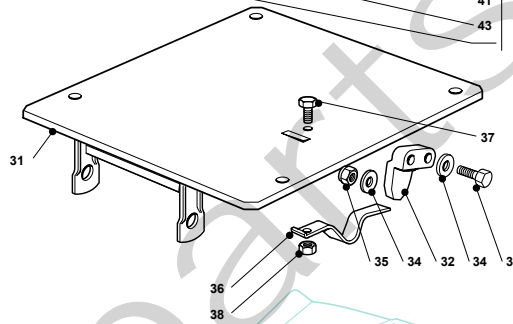
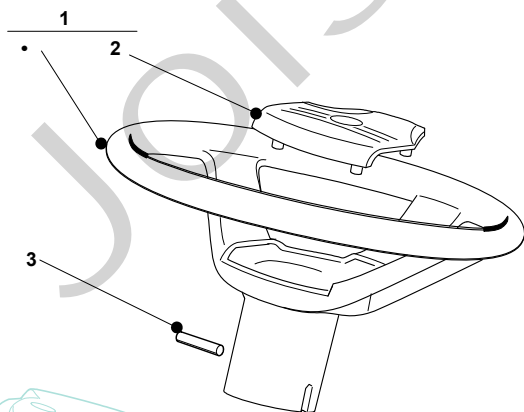
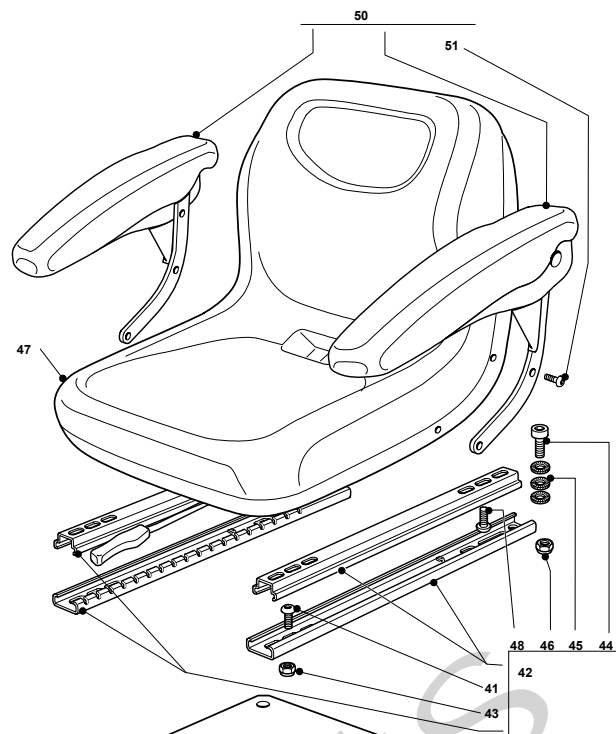
OVERLAND 4WD



**OVERLAND 4WD**

| Pos. Fig. | Antal Quantity | Art No Part No | Benämning | Description | Anmärkning Notes |
|-----------|----------------|----------------|---------------|-----------------------------|------------------|
| 2 | 1 | 82400003/1 | Avsluta Skydd | Ejection Guard | |
| 3 | 1 | 25869043/0 | Support | Support | |
| 4 | 2 | 18566112/0 | Plugg | Cap | |
| 5 | 2 | 12689515/0 | Skruv | Screw | |
| 6 | 2 | 12154510/0 | Mutter | Nut | |
| 7 | 2 | 25510022/0 | Stift | Pin | |
| 8 | 2 | 24487998/0 | Låsnål | Cotter Pin | |
| 9 | 1 | 24487999/0 | Låsnål | Cotter Pin | |
| 31 | 2 | 325869079/0 | Skydd | Guard | |
| 32 | 8 | 12793102/0 | Skruv | Screw | |
| 33 | 8 | 12155000/0 | Mutter | Nut | |
| 41 | 1 | 382033113/0 | Stång | Rod | |
| 42 | 1 | 382774265/0 | Fäste | Bracket Right Hitch Support | |
| 43 | 1 | 382774267/0 | Fäste | Bracket Left Hitch Support | |
| 44 | 2 | 112521395/0 | Skruv | Screw | |
| 45 | 2 | 12620305/0 | Stift | Pin | |
| 45 | 1 | 25510021/1 | Stift | Pin | |
| 46 | 2 | 125510118/0 | Stift | Pin | |
| 47 | 2 | 24487997/0 | Bricka | Washer | |
| 48 | 1 | 24487999/0 | Låsnål | Cotter Pin | |
| 72 | 1 | 25140092/0 | Deflektor | Deflector | |
| 73 | 1 | 325394019/0 | Styre | Handle | |
| 74 | 1 | 25510077/0 | Stift | Pin | |
| 75 | 1 | 25430245/0 | Fjäder | Spring | |
| 76 | 1 | 12735405/0 | Skruv | Screw | |
| 77 | 1 | 25280000/1 | Handtag | Handgrip | |
| 78 | 1 | 25840011/1 | Stång | Elastic Tie-Rod | |
| 79 | 2 | 25253004/0 | Hake | Hook | |

OVERLAND 4WD





OVERLAND 4WD

| Pos. Fig. | Antal Quantity | Art No Part No | Benämning | Description | Anmärkning Notes |
|-----------|----------------|----------------|------------------|------------------|------------------|
| 1 | 1 | 25961210/0 | Rott | Steering Wheel | |
| 2 | 1 | 25580501/0 | Lock | Cap | |
| 3 | 1 | 12620299/0 | Stift | Pin | |
| 31 | 1 | 382735809/0 | Fixed Seat Supp. | Fixed Seat Supp. | |
| 32 | 1 | 25060033/0 | Fäste | Cam | |
| 33 | 2 | 12815050/0 | Skruv | Screw | |
| 34 | 4 | 12521320/0 | Bricka | Washer | |
| 35 | 2 | 12372550/0 | Mutter | Nut | |
| 36 | 1 | 125430271/0 | Fjäder | Spring | |
| 41 | 4 | 12760605/0 | Skruv | Screw | |
| 42 | 1 | 382180115/0 | Guide Assy | Guide Assy | |
| 43 | 4 | 12155000/0 | Mutter | Nut | |
| 44 | 1 | 12760515/0 | Skruv | Screw | |
| 45 | 3 | 12540060/0 | Bricka | Washer | |
| 46 | 1 | 12155000/0 | Mutter | Nut | |
| 47 | 1 | 125722473/0 | Seat | Seat | |
| 48 | 4 | 12760605/0 | Skruv | Screw | |
| 50 | 1 | 382180112/0 | Arm-Rest Assy | Arm-Rest Assy | |
| 51 | 6 | 12760605/0 | Skruv | Screw | |