

# Genuine Spare Parts

www.stiga.com

## GRAND OVERLAND PRO - 2T1525381/SF1 Model Year 2011

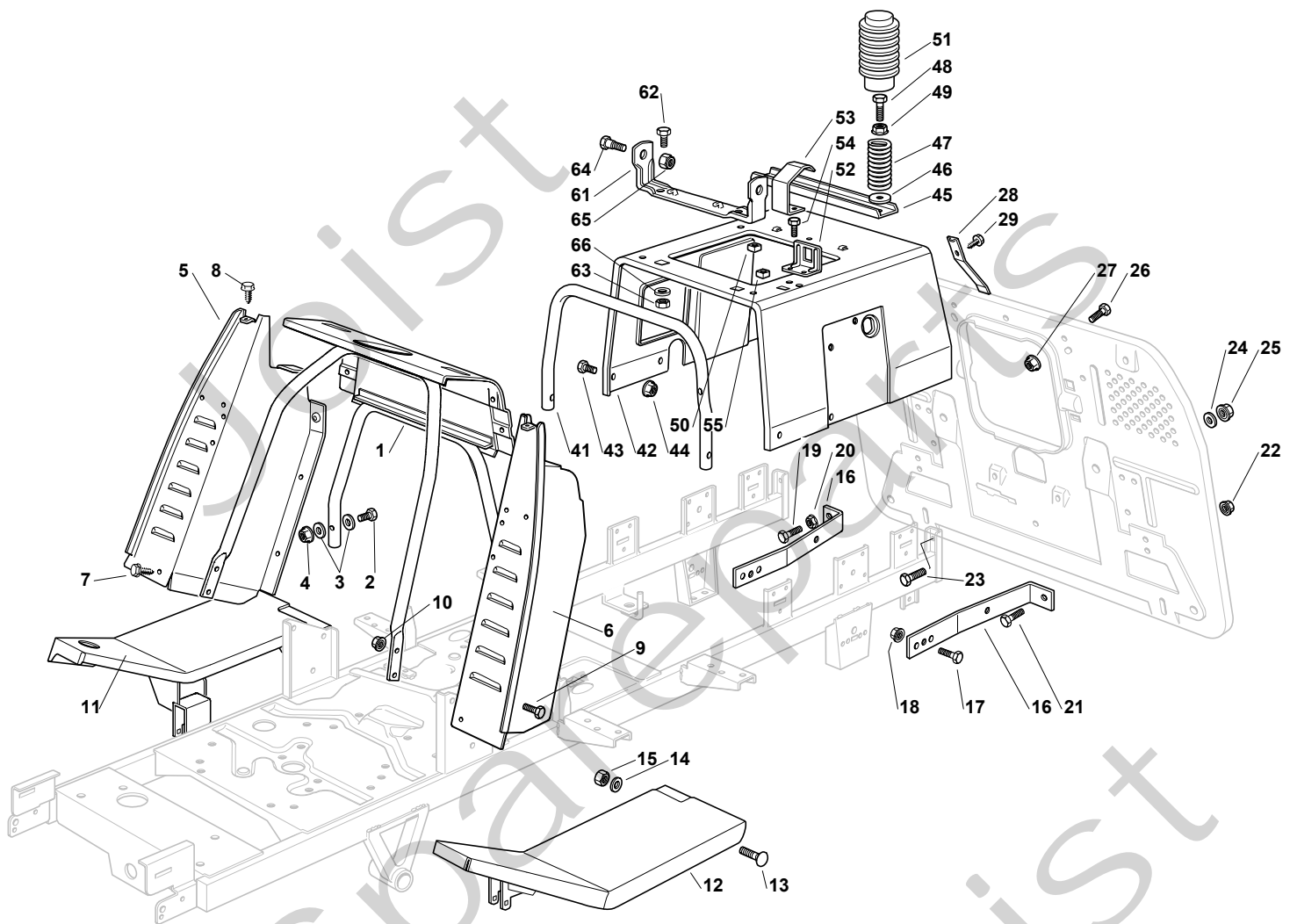
- Use GLOBAL GARDEN PRODUCT Genuine Spare Parts specified in the parts list for repair and/or replacement.
- The contents described in the parts list may change due to improvement.
- The drawings of the spare parts are only indicative and might not represent the part in question exactly.
- The indications "right" - "left" - "front" - "rear" refer to the position of the operator when using the machine.
- When placing orders of parts for repair and/or replacement, make sure that the illustrated parts list is the one applying to the machine's year of manufacture, as shown on the identification plate attached to the machine.

COPYRIGHT by GLOBAL GARDEN PRODUCTS

All rights reserved. No part of this material may be reproduced or transmitted, in any form or by any means, electronic or mechanical, including photocopying, recording or by any information storage and retrieval system, without permission in writing from GLOBAL GARDEN PRODUCTS.



GRAND OVERLAND PRO

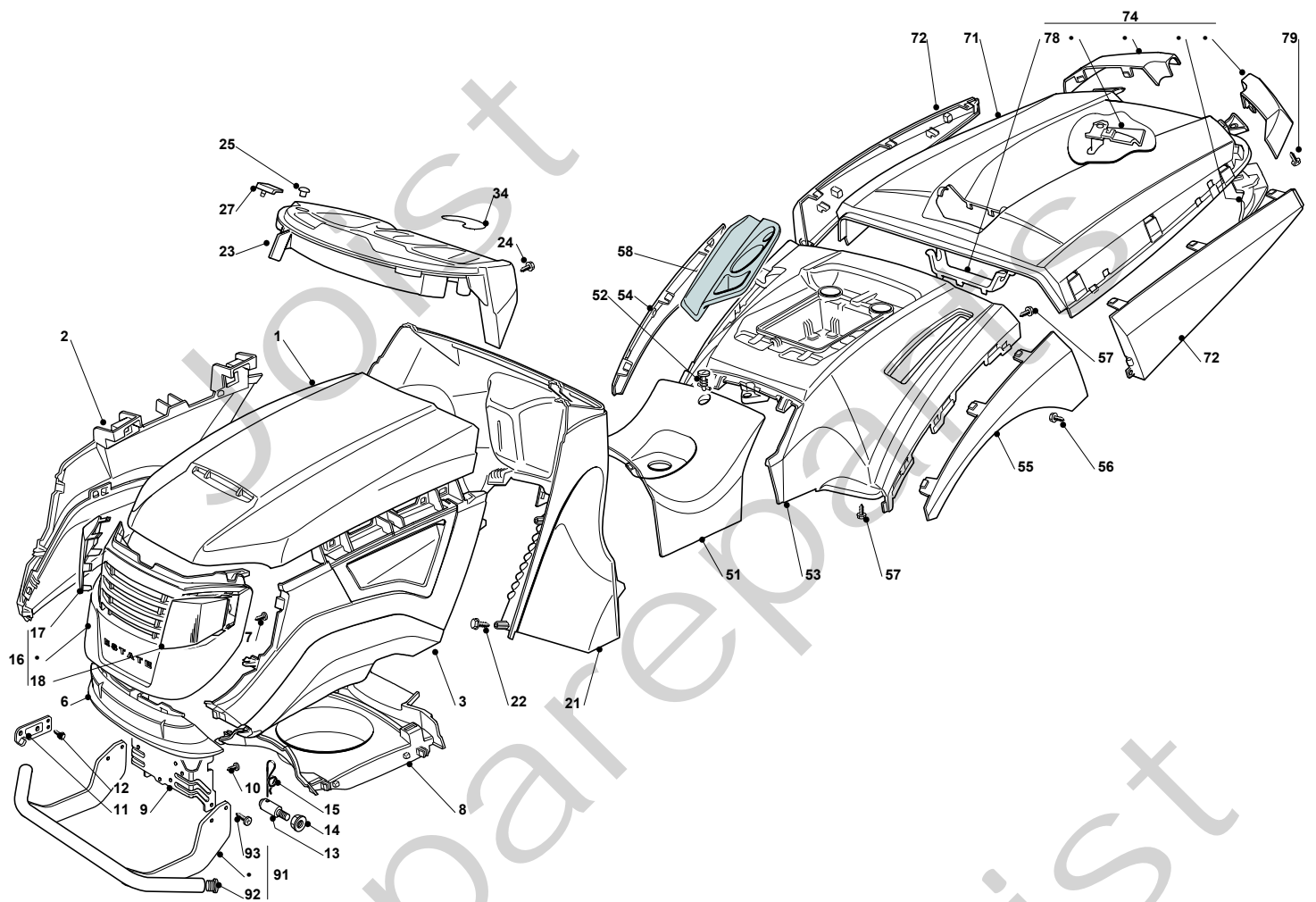




## GRAND OVERLAND PRO

Pos. Fig.	Antal Quantity	Art No Part No	Benämning	Description	Anmärkning Notes
1	1	382785205/0	Instrumentbräda-Stöd	Central Dashboard Supp	
2	2	12674550/0	Skruv	Screw	
3	4	12523040/0	Bricka	Washer	
4	2	12292102/0	Mutter	Nut	
5	1	382785022/8	Instrumentbräda-hö Stöd	Right Dashboard Supp.	
6	1	382785021/7	Instrumentbräda-vä Stöd	Left Dashboard Supp.	
7	2	12735110/0	Skruv	Screw	
8	2	12735110/0	Skruv	Screw	
9	6	12791400/0	Skruv	Screw	
10	6	12292102/0	Mutter	Nut	
11	1	325500046/0	Fotsteg-hö	Right Footboard	
12	1	325500047/0	Fotsteg-Vä	Left Footboard	
13	4	12815245/0	Skruv	Screw	
14	4	12523040/0	Bricka	Washer	
15	4	12154510/0	Mutter	Nut	
16	2	25774273/1	Reduktion	Stiffening	
17	2	12793102/0	Skruv	Screw	
18	2	12293201/0	Mutter	Nut	
19	1	12691100/0	Skruv	Left Screw	
20	1	12293200/0	Mutter	Nut	
21	1	12792611/0	Skruv	Screw	
22	2	12293201/0	Mutter	Nut	
23	2	112794300/0	Skruv	Screw	
24	2	12521360/0	Bricka	Washer	
25	2	12156602/0	Mutter	Nut	
26	5	12791011/0	Skruv	Screw	
27	5	12292102/0	Mutter	Nut	
28	1	25430238/0	Fjäder	Spring	
29	1	12731580/0	Skruv	Screw	
41	1	325869085/0	Trådbygel	Stiffening	
42	1	325785133/4	Seat Support	Seat Support	
43	8	12791011/0	Skruv	Screw	
44	8	12292102/0	Mutter	Nut	
45	1	25650067/0	Reduktion	Stiffening	
46	2	12523070/0	Bricka	Washer	
47	2	25430205/1	Fjäder	Spring	
48	2	25943001/0	Skruv	Screw	
49	2	12293201/0	Mutter	Nut	
50	2	12360420/0	Mutter	Nut	
51	2	25737002/0	Styrning	Hood	
52	1	25755025/1	Fästvinkel	Bracket	
53	1	25430255/0	Fjäder	Spring	
54	2	12735110/0	Skruv	Screw	
55	2	12437502/0	Trombocyt	Plate	
61	1	82774207/0	Seat Clamp Support	Seat Clamp Support	
62	2	12691115/0	Skruv	Left Screw	
63	2	12293201/0	Mutter	Nut	
64	2	22524970/2	Stift	Pin	
65	2	12155010/0	Mutter	Nut	
66	2	12523070/0	Bricka	Washer	

# GRAND OVERLAND PRO

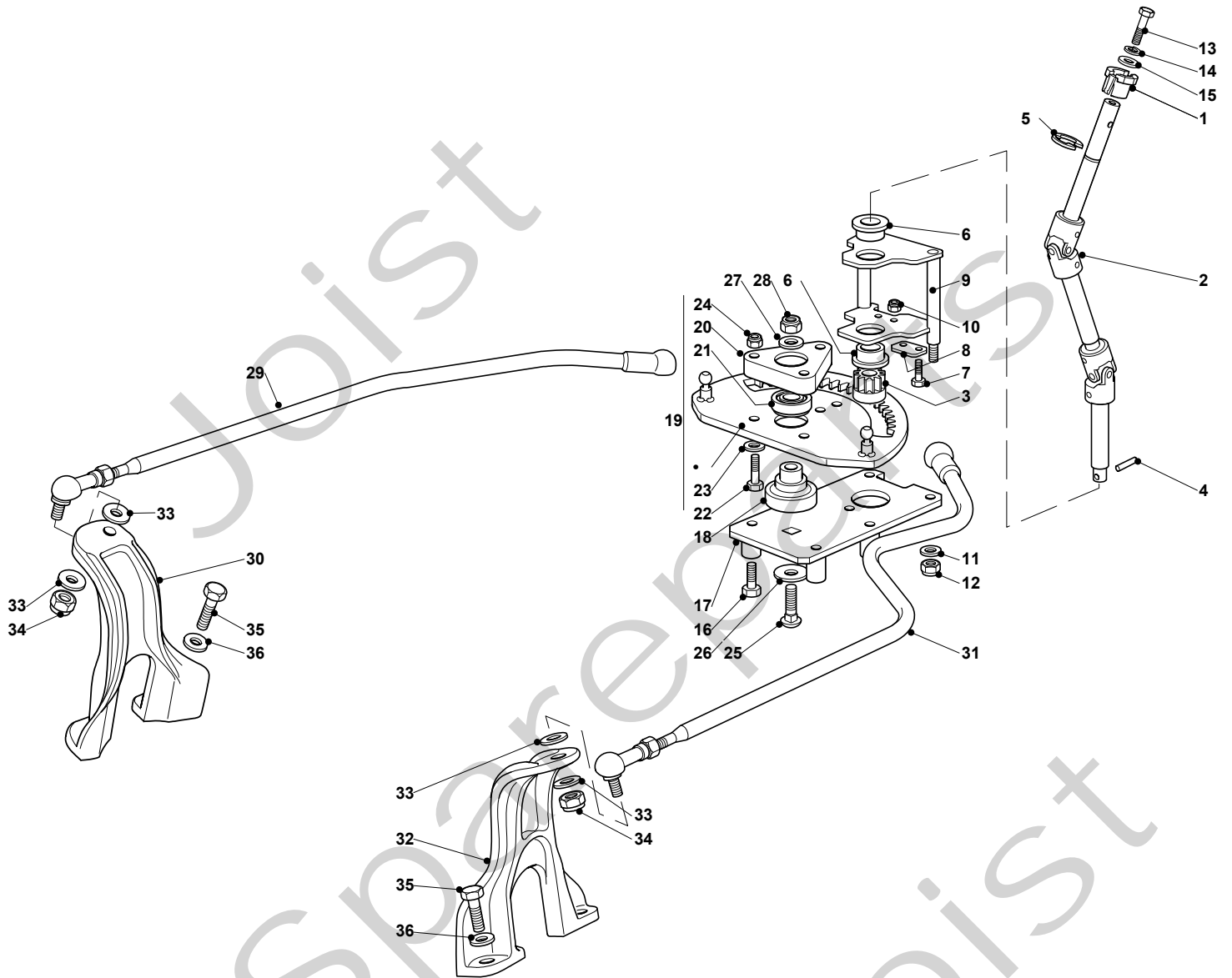




## GRAND OVERLAND PRO

Pos. Fig.	Antal Quantity	Art No Part No	Benämning	Description	Anmärkning Notes
1	1	25076866/0	Upper Engine Hood, Yellow	Upper Engine Hood, Yellow	
2	1	382394611/0	Hood, Right	Hood, Right	
3	1	382394612/0	Hood, Left	Hood, Left	
6	1	25076865/0	Lower Grey Hood, Front	Lower Grey Hood, Front	
7	6	12735403/0	Skruv	Screw	
8	1	25108031/0	Inmatningsträtt	Conveyor	
9	1	25774301/1	Motorhuv	Engine Hood Support	
10	5	12735403/0	Skruv	Screw	
11	2	325547159/1	Trombocyt	Plate	
12	4	12731580/0	Skruv	Screw	
13	2	125510079/1	Stift	Pin	
14	2	12293201/0	Mutter	Nut	
15	1	24487998/0	Låsnål	Cotter Pin	
16	1	82394610/0	Motorhuv	Grey Hood, Front	
17	1	25410876/0	Frontkåpa-hö	Right Grill	
18	1	25410877/0	Frontkåpa-vä	Left Grill	
21	1	25785231/1	Instrumentbräda-Stöd	Dashboard Support	
22	7	12735403/0	Skruv	Screw	
23	1	325120205/0	Instrumentbräda svart	Dashboard, Black (Cruise Control)	
24	4	12728440/0	Skruv	Screw	
25	2	25120200/0	Lock	Plug	
27	2	25260000/0	Hylsa	Grommet	
34	1	325207185/0	Kåpa	Cover	
51	1	325110394/0	Kåpa	Cover	
52	1	125580020/2	Stift	Pivot	
53	1	25109754/0	Wheels Cover	Wheels Cover	
54	1	25109753/0	Right Wheel Cover	Right Wheel Cover	
55	1	25109752/0	Left Wheel Cover	Left Wheel Cover	
56	2	12728686/0	Skruv	Screw	
57	4	12735402/0	Skruv	Screw	
58	1	325207184/0	Skyddsplåt	Cover	
71	1	25110308/0	Kåpa	Grass-Catcher Cover	
72	1	382110255/0	Cover Assy	Cover Assy	
74	1	382110259/0	Angles Assy	Angles Assy	
78	1	25394009/0	Handtagslock	Handle Cover	
79	4	12735403/0	Skruv	Screw	
91	1	382869039/0	Ljuddämparskydd	Muffler Protection	
92	2	18737860/0	Plugg	Cap	
93	4	12734995/0	Skruv	Screw	

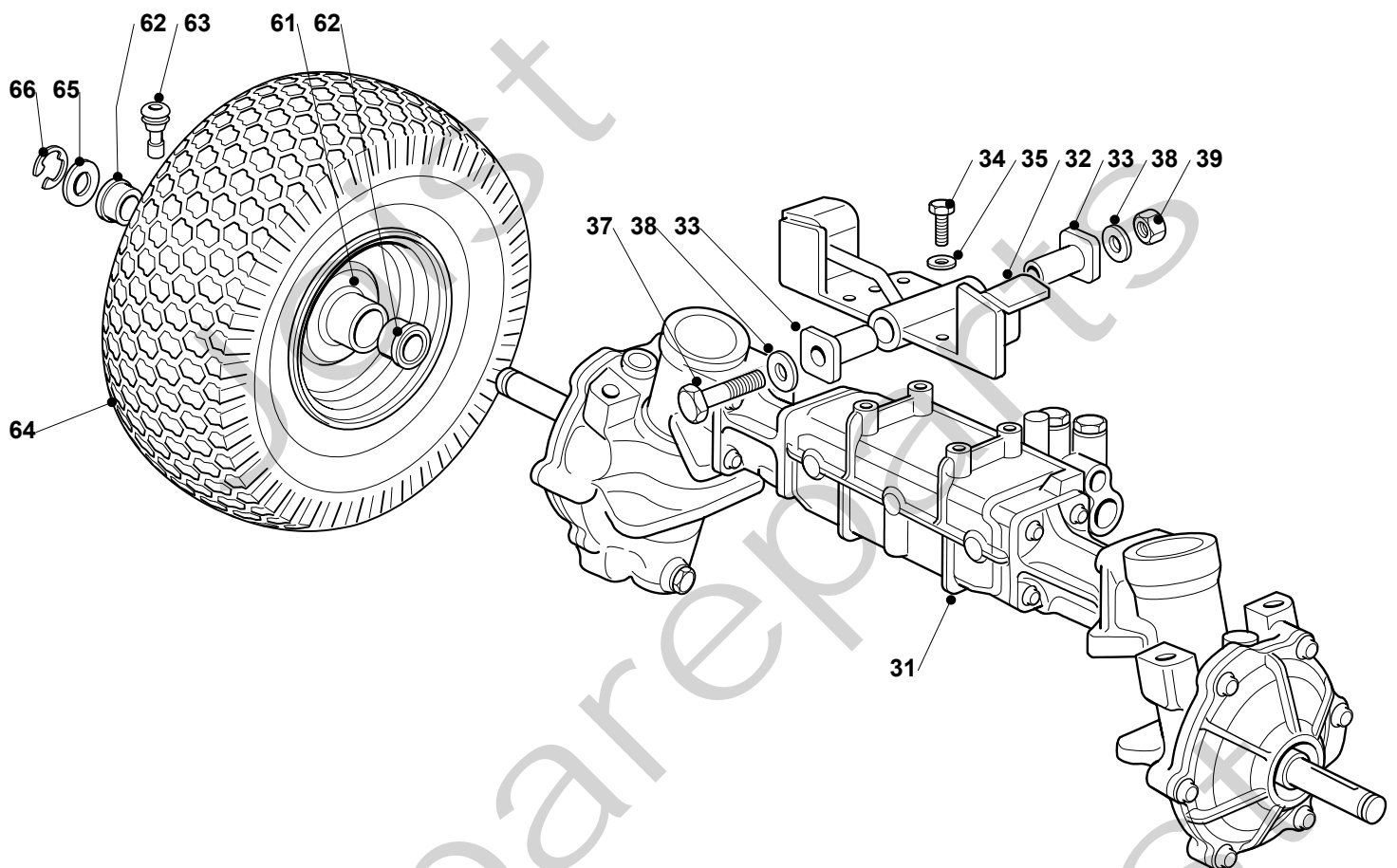
**GRAND OVERLAND PRO**





## GRAND OVERLAND PRO

Pos. Fig.	Antal Quantity	Art No Part No	Benämning	Description	Anmärkning Notes
1	2	25038004/0	Kompass	Bush	
2	1	382543052/0	Steering Column	Steering Column	
3	1	125570006/0	Drev	Pinion	
4	1	12622650/0	Stift	Pin	
5	1	12608600/0	Seeger	Seeger	
6	2	25038004/0	Kompass	Bush	
7	2	12788910/0	Skruv	Screw	
8	1	325487000/0	Trombocyt	Plate	
9	1	382785209/0	Stöd	Support	
10	2	12154330/0	Mutter	Nut	
11	2	12521360/0	Bricka	Washer	
12	2	12156602/0	Mutter	Nut	
13	1	12691800/0	Skruv	Screw	
14	1	12583500/0	Bricka	Grower	
15	1	12523060/0	Bricka	Washer	
16	4	112735108/1	Skruv	Screw	
17	1	382785207/0	Stöd	Support	
18	1	125040641/0	Stöd	Support	
19	1	382735523/0	Steering Shaft	Steering Shaft	
20	1	325774453/0	Fäste	Clamp	
21	1	119216047/0	Kullager	Bearing	
22	3	12691100/0	Skruv	Left Screw	
23	3	12523060/0	Bricka	Washer	
24	3	12155000/0	Mutter	Nut	
25	1	112819600/0	Skruv	Screw	
26	1	112521395/0	Skruv	Screw	
27	1	12521370/0	Bricka	Washer	
28	1	112156603/0	Mutter	Nut	
29	1	382000622/0	Stång	Steering Rod	
30	1	325774393/0	Fäste	Clamp	
31	1	382000624/0	Stång	Steering Rod	
32	1	325774491/1	Fäste	Clamp	
33	4	12522050/0	Bricka	Washer	
34	2	112155700/0	Mutter	Nut	
35	4	112760585/0	Skruv	Screw	
36	4	12521370/0	Bricka	Washer	

**GRAND OVERLAND PRO**

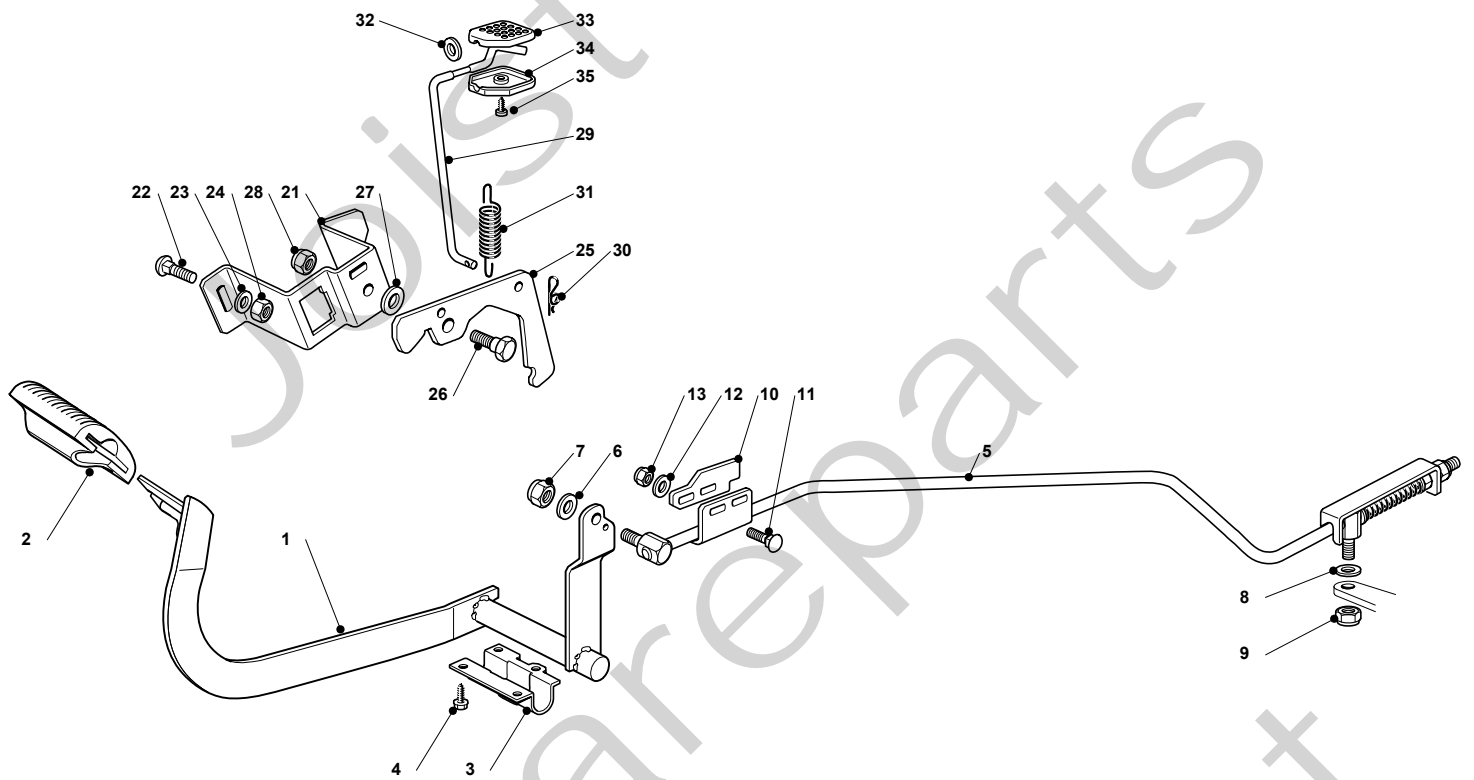




## GRAND OVERLAND PRO

Pos. Fig.	Antal Quantity	Art No Part No	Benämning	Description	Anmärkning Notes
31	1	118400974/0	Transmission Unit Kk Kxh7N	Transmission Unit Kk Kxh7N	
32	1	382547057/1	Stöd	Support	
33	2	125040633/0	Bussning	Bush	
34	6	112760560/0	Skruv	Screw	
35	6	112585100/0	Bricka	Washer	
37	1	112695900/0	Skruv	Screw	
38	2	112521395/0	Skruv	Screw	
39	1	112295801/0	Mutter	Nut	
61	2	182000601/1	Rimm	Rimm	
62	4	25122200/2	Kullager	Bearing	
63	2	25950000/0	Ventil	Valve	
64	2	125590012/0	Dack	Tire	
65	2	25670005/1	Bricka	Washer	
66	2	12001010/0	Låsring	Benzing	

GRAND OVERLAND PRO

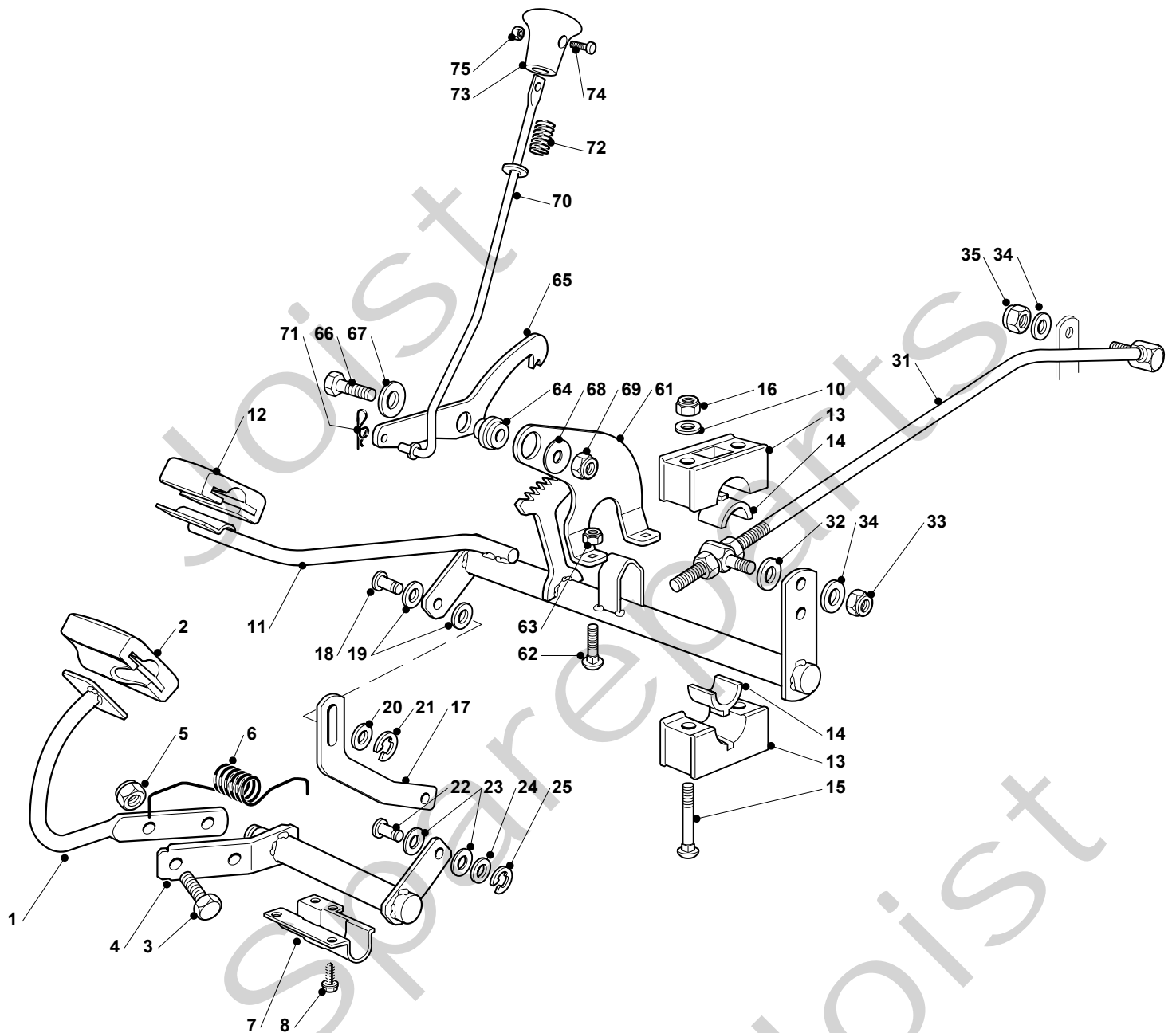




## GRAND OVERLAND PRO

Pos. Fig.	Antal Quantity	Art No Part No	Benämning	Description	Anmärkning Notes
1	1	382500041/0	Pedal	Pedal	
2	1	25110267/0	Clamp Cover	Clamp Cover	
3	1	325547081/2	Trombocyt	Plate	
4	4	12731601/0	Skruv	Screw	
5	1	382000554/2	Länk	Rod	
6	1	12521350/0	Bricka	Washer	
7	1	12155000/0	Mutter	Nut	
8	1	12521350/0	Bricka	Washer	
9	1	12155000/0	Mutter	Nut	
10	1	325547281/1	Trombocyt	Plate	
11	2	12815210/0	Skruv	Screw	
12	2	12523040/0	Bricka	Washer	
13	2	12154510/0	Mutter	Nut	
21	1	325785143/1	Stöd	Support	
22	2	12815210/0	Skruv	Screw	
23	1	12523040/0	Bricka	Washer	
24	2	12154510/0	Mutter	Nut	
25	1	325253009/0	Hake	Hook	
26	1	22524970/2	Stift	Pin	
27	1	25670011/0	Bricka	Washer	
28	1	12155000/0	Mutter	Nut	
29	1	125033097/0	Länk	Rod	
30	1	24487997/0	Bricka	Washer	
31	1	25430213/0	Fjäder	Spring	
32	1	12523040/0	Bricka	Washer	
33	1	325592001/0	Knopp	Knob	
34	1	325592002/0	Knopp	Knob	
35	1	12727815/0	Skruv	Screw	

GRAND OVERLAND PRO

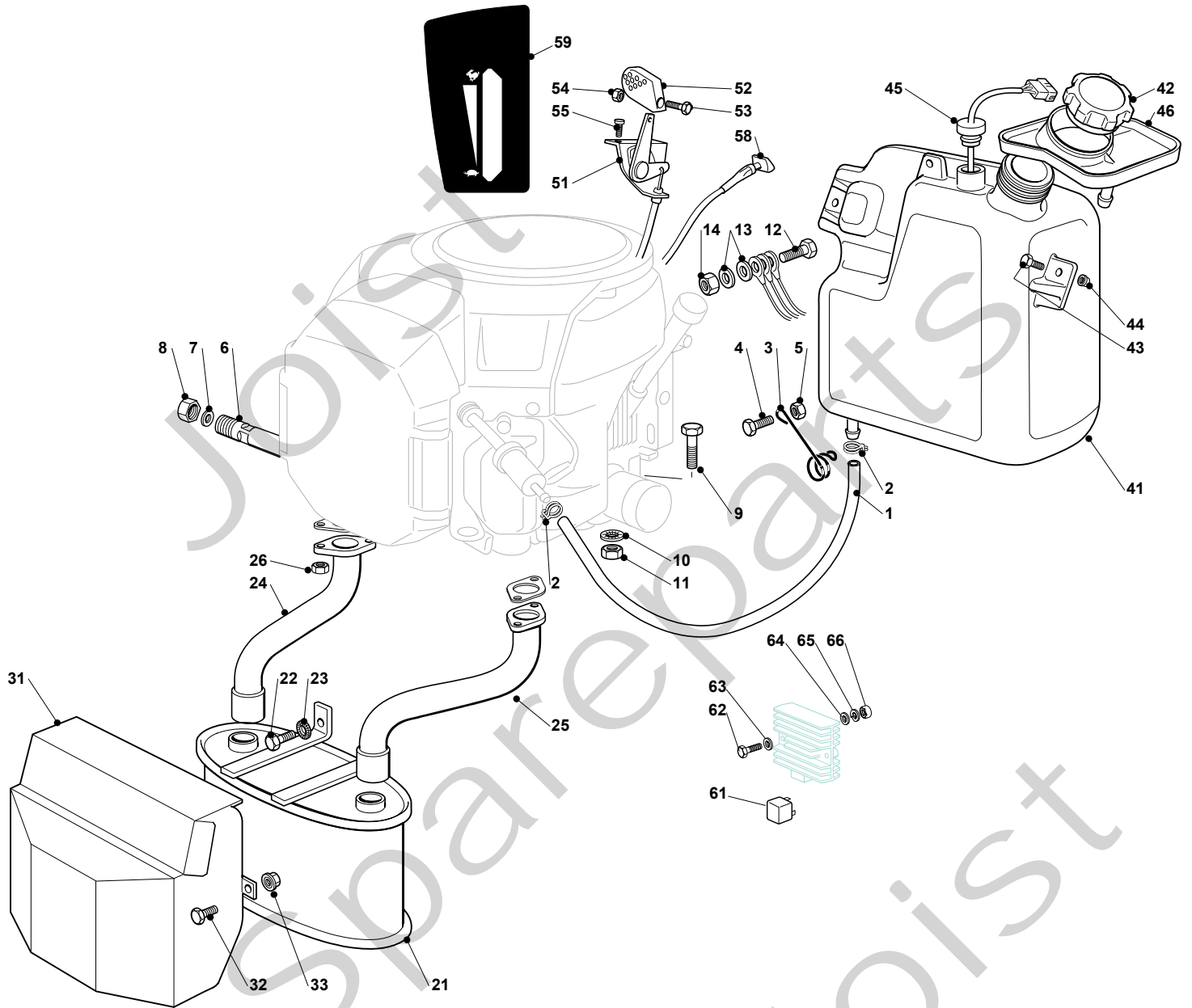




## GRAND OVERLAND PRO

Pos. Fig.	Antal Quantity	Art No Part No	Benämning	Description	Anmärkning Notes
1	1	382500031/1	Pedal	Pedal	
2	1	25110275/0	Fäste	Clamp Cover	
3	2	12793301/0	Skruv	Screw	
4	1	382000559/1	Axel	Axle	
5	2	12155000/0	Mutter	Nut	
6	1	125430246/0	Fjäder	Spring	
7	1	325547133/1	Trombocyt	Plate	
8	4	12731601/0	Skruv	Screw	
10	4	12523040/0	Bricka	Washer	
11	1	382000617/0	Axel	Axle	
12	1	25110274/0	Clamp Cover Front	Clamp Cover Front	
13	4	325785354/0	Stöd	Bracket	
14	4	325034003/0	Bussning	Brass	
15	4	112815271/0	Skruv	Screw	
16	4	12154510/0	Mutter	Nut	
17	1	325547207/0	Trombocyt	Plate	
18	1	125510085/1	Stift	Pin	
19	2	25670011/0	Bricka	Washer	
20	1	12521350/0	Bricka	Washer	
21	1	12000930/0	Avgasrör	Crown Fastener	
22	1	125510085/1	Stift	Pin	
23	2	25670011/0	Bricka	Washer	
24	1	12521350/0	Bricka	Washer	
25	1	12000930/0	Avgasrör	Crown Fastener	
31	1	382000612/0	Länk	Rod	
32	1	12523060/0	Bricka	Washer	
33	1	12154510/0	Mutter	Nut	
34	2	12523040/0	Bricka	Washer	
35	1	12154510/0	Mutter	Nut	
61	1	325774477/0	Fäste	Clamp	
62	2	12815210/0	Skruv	Screw	
63	2	12292102/0	Mutter	Nut	
64	1	125040638/0	Bussning	Bush	
65	1	325022000/1	Hake	Hook	
66	1	12691100/0	Skruv	Left Screw	
67	1	12523060/0	Bricka	Washer	
68	1	22672152/0	Bricka	Washer	
69	1	12155000/0	Mutter	Nut	
70	1	125033091/0	Länk	Rod	
71	1	24487995/0	Cotter Pin	Cotter Pin	
72	1	25430232/0	Fjäder	Spring	
73	1	325605002/0	Tryckring	Button	
74	1	112726389/0	Skruv	Screw	
75	1	12290800/0	Mutter	Nut	

GRAND OVERLAND PRO

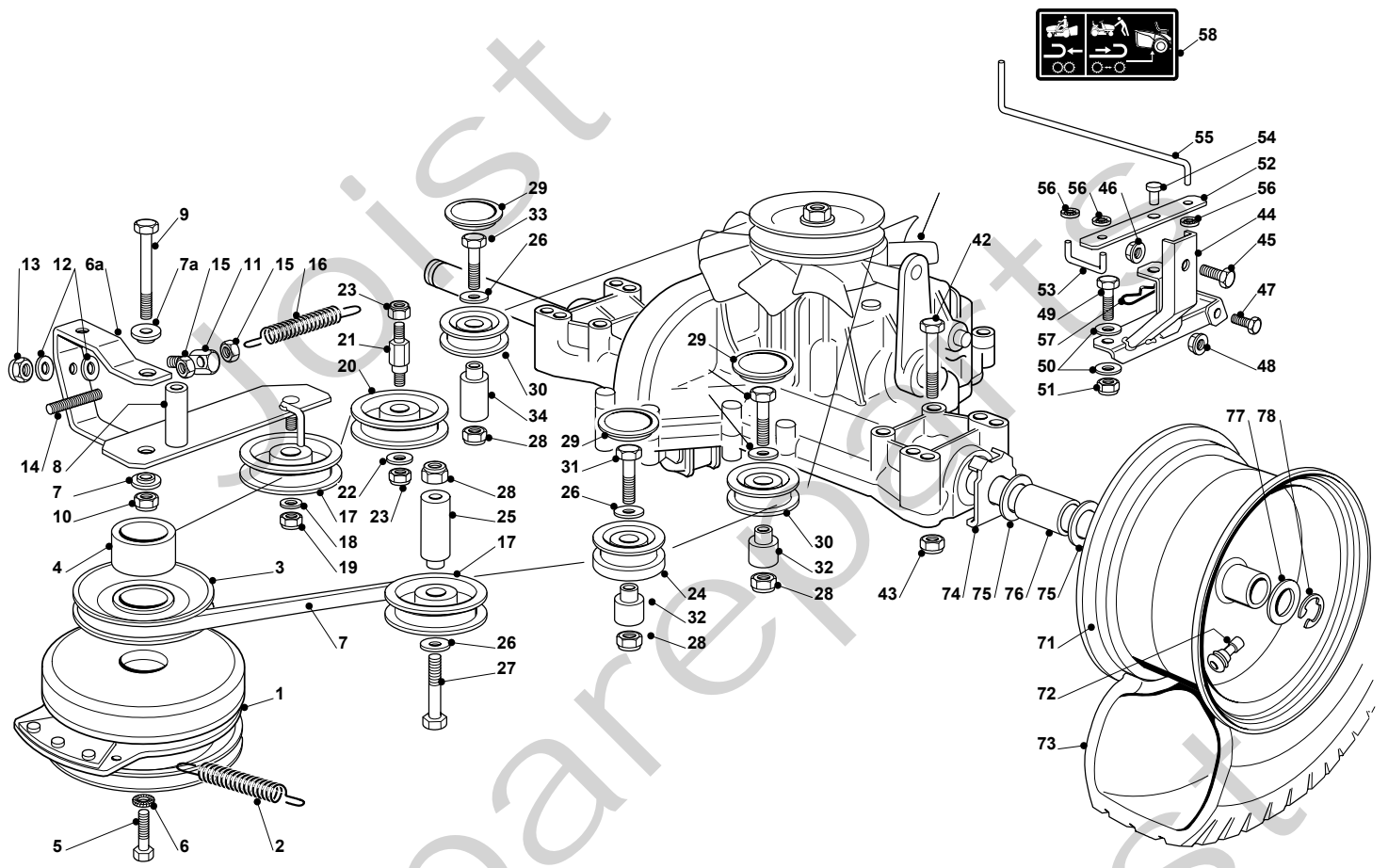




## GRAND OVERLAND PRO

Pos. Fig.	Antal Quantity	Art No Part No	Benämning	Description	Anmärkning Notes
1	1	25869057/0	Vevstake	Connecting Tube (1000 Mm)	
2	2	18375051/1	Slangklämma	Fair Led	
6	1	25598050/0	Oil Discharge Extension	Oil Discharge Extension	
7	1	18737849/0	Lock	Oil Cap	
8	1	18401001/1	Tätningring	Oil Seal	
10	4	112735108/1	Skruv	Screw	
11	1	12691115/0	Skruv	Left Screw	
12	1	12540260/0	Bricka	Washer	
13	1	12154210/0	Mutter	Nut	
21	1	182750009/0	Ljuddämpare	Muffler	
22	2	12793301/0	Skruv	Screw	
23	2	12540260/0	Bricka	Washer	
24	1	118738234/0	Avgasrör	Exhaust Right Tube	
25	1	118738235/0	Avgasrör	Exhaust Left Tube	
26	4	12735530/0	Skruv	Screw	
27	4	12583500/0	Bricka	Grower	
31	1	382598043/1	Skydd	Guard	
32	2	12791011/0	Skruv	Screw	
33	2	12292102/0	Mutter	Nut	
41	1	325735125/2	Tank	Tank	
42	1	325795003/0	Cap	Cap	
43	2	12788910/0	Skruv	Screw	
44	2	12500092/0	Rivet	Rivet	
45	1	125290002/0	Fuel Level Indicator	Fuel Level Indicator	
46	1	325600086/0	Skydd	Guard	
51	1	182000213/0	Gasreglage	Accelerator	
52	1	325592000/0	Knopp	Knob	
53	1	12726388/0	Stift	Screw	
54	1	12290800/0	Mutter	Nut	
55	2	125943012/0	Skruv	Screw	
58	1	125090005/0	Chokeregglage	Choke Control	
59	1	14360716/0	Dekal	Label	
61	1	33567000/0	Relay	Relay	
62	2	12791500/0	Skruv	Screw	
63	2	12521330/0	Bricka	Washer	
64	2	12521330/0	Bricka	Washer	
65	2	12582100/0	Bricka	Washer	
66	2	12292100/0	Mutter	Nut	

# GRAND OVERLAND PRO



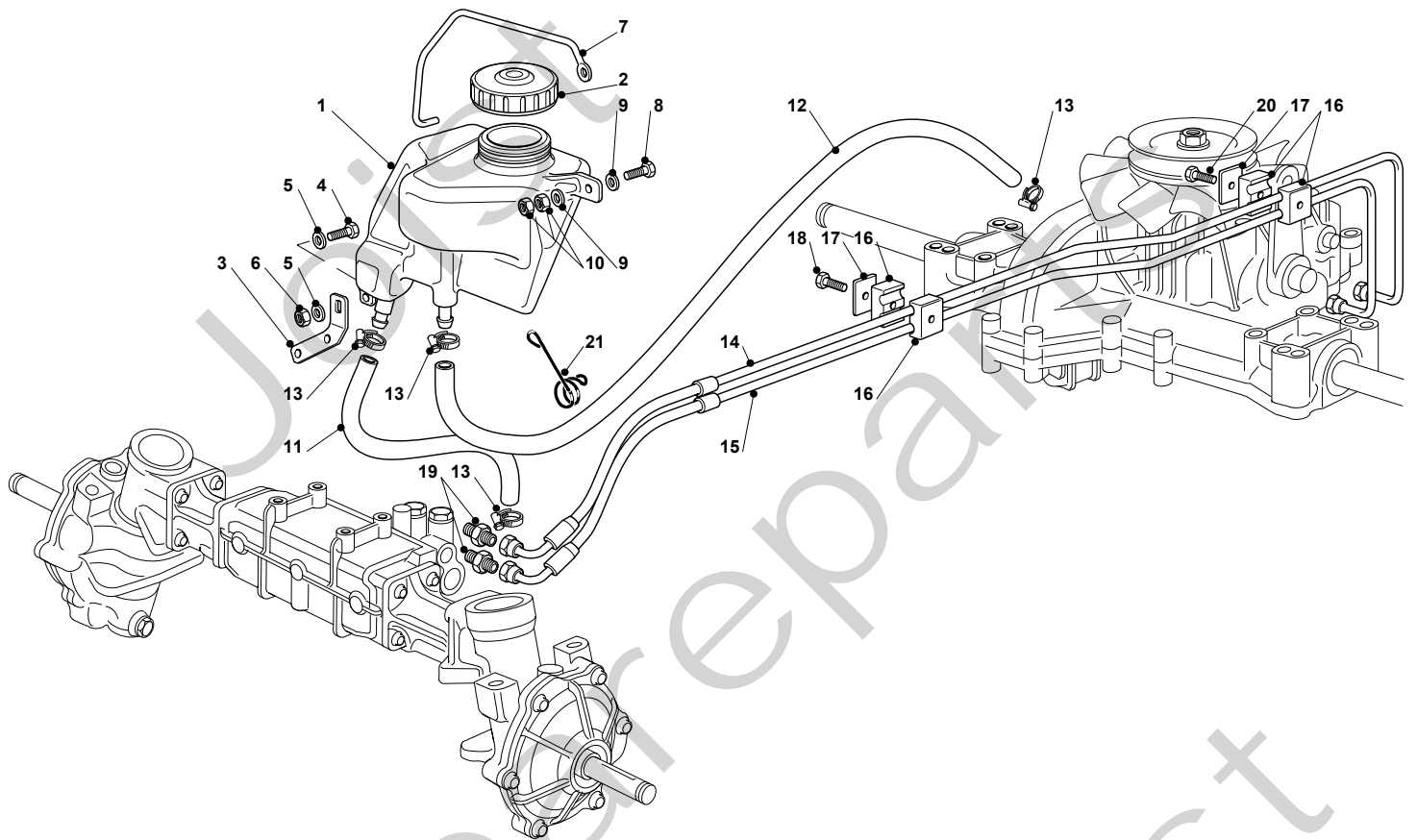




## GRAND OVERLAND PRO

Pos. Fig.	Antal Quantity	Art No Part No	Benämning	Description	Anmärkning Notes
1	1	118399062/0	Koppling	Clutch	
2	1	125430210/1	Fjäder	Spring	
3	1	125601580/0	Remskiva	Pulley	
4	1	25160021/0	Distans	Spacer	
5	1	12737320/0	Skruv	Screw	
6	1	12543000/0	Bricka	Washer	
6a	1	82318165/1	Spak	Lever	
7	1	135062002/1	Drivrem	Belt	
7a	2	25038002/1	Bussning	Bush	
8	1	125160054/0	Distans	Spacer	
9	1	12692000/0	Skruv	Screw	
10	1	12155000/0	Mutter	Nut	
11	1	25510040/1	Stift	Pin	
12	2	25670011/0	Bricka	Washer	
13	1	12155000/0	Mutter	Nut	
14	1	125840030/0	Stång	Tie Rod	
15	2	12293200/0	Mutter	Nut	
16	1	25430219/0	Fjäder	Spring	
17	2	25601554/0	Remskiva	Pulley	
18	1	12523060/0	Bricka	Washer	
19	1	12155000/0	Mutter	Nut	
20	1	25601555/0	Remskiva	Pulley	
21	1	25510036/1	Stift	Pin	
22	1	12523060/0	Bricka	Washer	
23	2	12155000/0	Mutter	Nut	
24	1	325601584/1	Remskiva	Pulley	
25	1	125160060/0	Distans	Spacer	
26	4	12523060/0	Bricka	Washer	
27	2	12691115/0	Skruv	Left Screw	
28	4	12155000/0	Mutter	Nut	
29	3	25109521/1	Kåpa	Cover	
30	2	325601570/1	Remskiva	Pulley	
31	2	12691115/0	Skruv	Left Screw	
32	2	125160030/2	Distans	Left Spacer	
33	1	12691400/0	Skruv	Right Screw	
34	1	125160024/2	Distans	Long Spacer	
41	1	118400975/0	Rear Axle Tuff Torq K574D	Rear Axle Tuff Torq K574D	
42	4	12691800/0	Skruv	Screw	
43	4	12154210/0	Mutter	Nut	
44	1	382785175/0	Stöd	Support	
45	1	12735120/0	Skruv	Screw	
46	1	12293201/0	Mutter	Nut	
47	1	12792611/0	Skruv	Screw	
48	1	12293201/0	Mutter	Nut	
49	1	12691115/0	Skruv	Left Screw	
50	2	12521350/0	Bricka	Washer	
51	1	12155000/0	Mutter	Nut	
52	1	325547229/0	Spak	Lever	
53	1	125580031/0	Länk	Rod	
54	1	27510111/0	Stift	Pin	
55	1	125033079/0	Länk	Rod	
56	3	12604896/0	Skruv	Crown Fastener	
57	1	124487997/0	Cotter Pin	Cotter Pin	
58	1	114363696/0	Dekal	Label	
71	2	182000602/0	Rimm	Rimm	
72	2	25950000/0	Ventil	Valve	
73	2	125590013/0	Dack	Tire	
74	2	325670025/0	Bricka	Washer	
75	4	112521410/0	Bricka	Washer	
76	2	25160023/0	Distans	Spacer	
77	2	25670005/1	Bricka	Washer	
78	2	12001010/0	Låsring	Benzing	

GRAND OVERLAND PRO

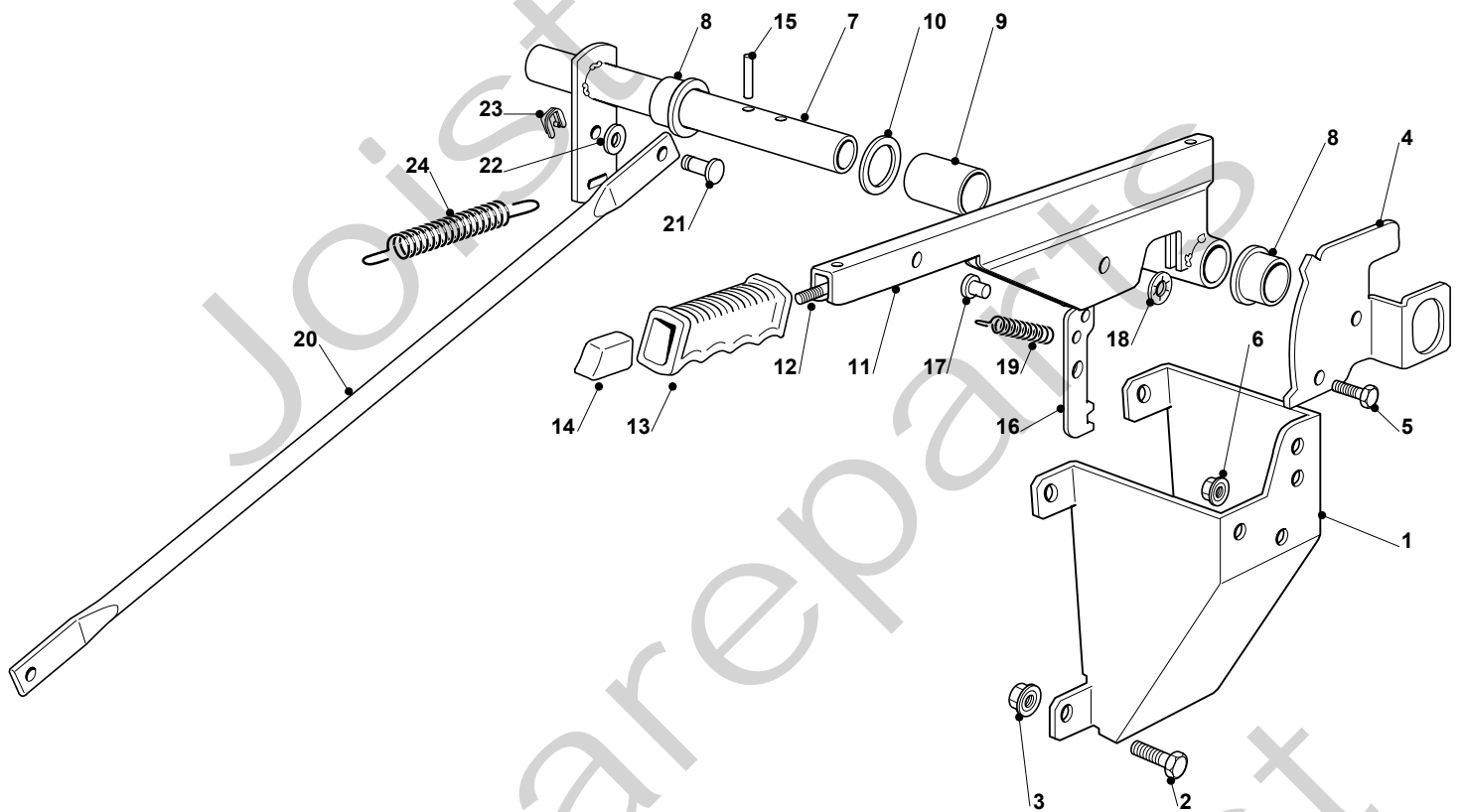




## GRAND OVERLAND PRO

Pos. Fig.	Antal Quantity	Art No Part No	Benämning	Description	Anmärkning Notes
1	1	325735127/0	Tank	Tank	
2	1	125795002/0	Lock	Cap	
3	1	325755059/0	Fästvinkel	Bracket	
4	1	12789100/0	Skruv	Screw	
5	2	12521320/0	Bricka	Washer	
6	1	12154330/0	Mutter	Nut	
7	1	125600085/0	Skydd	Guard	
8	1	12789100/0	Skruv	Screw	
9	2	12521320/0	Bricka	Washer	
10	2	12154330/0	Mutter	Nut	
11	1	325869076/0	Vevstake	Connecting Tube	
12	1	325869077/0	Vevstake	Connecting Tube	
13	4	118375059/0	Fair Led	Fair Led	
14	1	382869200/1	Vevstake	Connecting Tube	
15	1	382869201/0	Vevstake	Connecting Tube	
16	4	325721000/0	Stöd	Support	
17	2	325547249/0	Trombocyt	Plate	
18	1	12689515/0	Skruv	Screw	
19	2	125651001/0	Tube Connection	Tube Connection	
20	1	12674700/0	Skruv	Screw	
21	1	25430239/1	Fjäder	Spring	

GRAND OVERLAND PRO

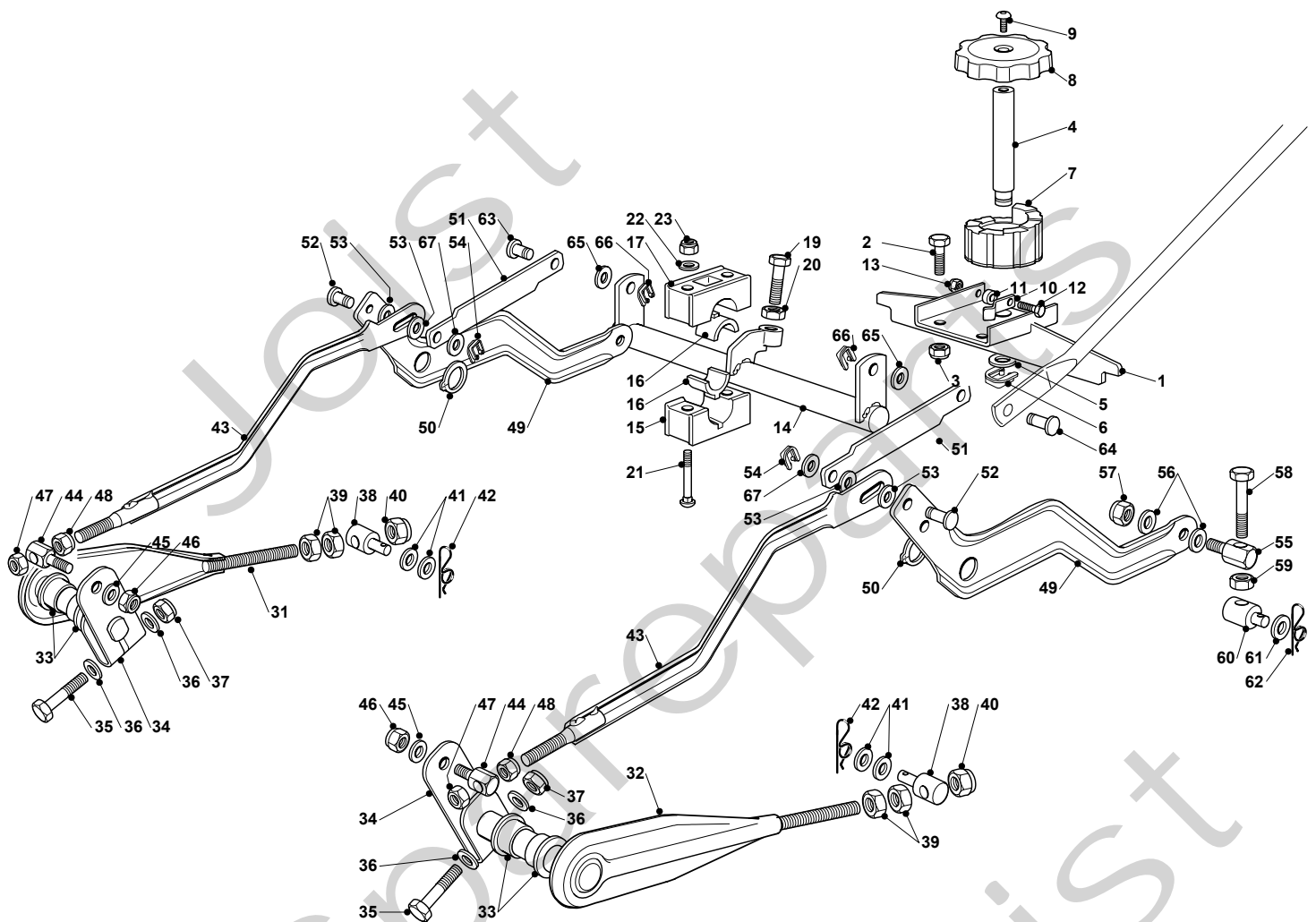




## GRAND OVERLAND PRO

Pos. Fig.	Antal Quantity	Art No Part No	Benämning	Description	Anmärkning Notes
1	1	325785137/1	Stöd	Support	
2	4	12791011/0	Skruv	Screw	
3	4	12292102/0	Mutter	Nut	
4	1	325735521/0	Sector	Sector	
5	2	12793102/0	Skruv	Screw	
6	2	12293201/0	Mutter	Nut	
7	1	382000551/0	Axel	Axle	
8	2	22034523/0	Bussning	Bush	
9	1	25160025/0	Distans	Spacer	
10	1	22672153/0	Bricka	Washer	
11	1	382318241/0	Spak	Lever	
12	1	25033002/0	Länk	Rod	
13	1	25394504/1	Knopp	Knob	
14	1	25605000/1	Tryckring	Button	
15	2	12620206/0	Stift	Pin	
16	1	25470901/0	Dog	Dog	
17	1	25510011/0	Stift	Pin	
18	1	12604899/0	Låsbricka	Crown Fastener	
19	1	25430208/0	Fjäder	Spring	
20	1	325033077/0	Vevstake	Connecting Rod	
21	1	125510117/0	Stift	Pin	
22	1	25670011/0	Bricka	Washer	
23	7	12436050/0	Trombocyt	Plate	
24	1	25430218/0	Fjäder	Spring	

# GRAND OVERLAND PRO

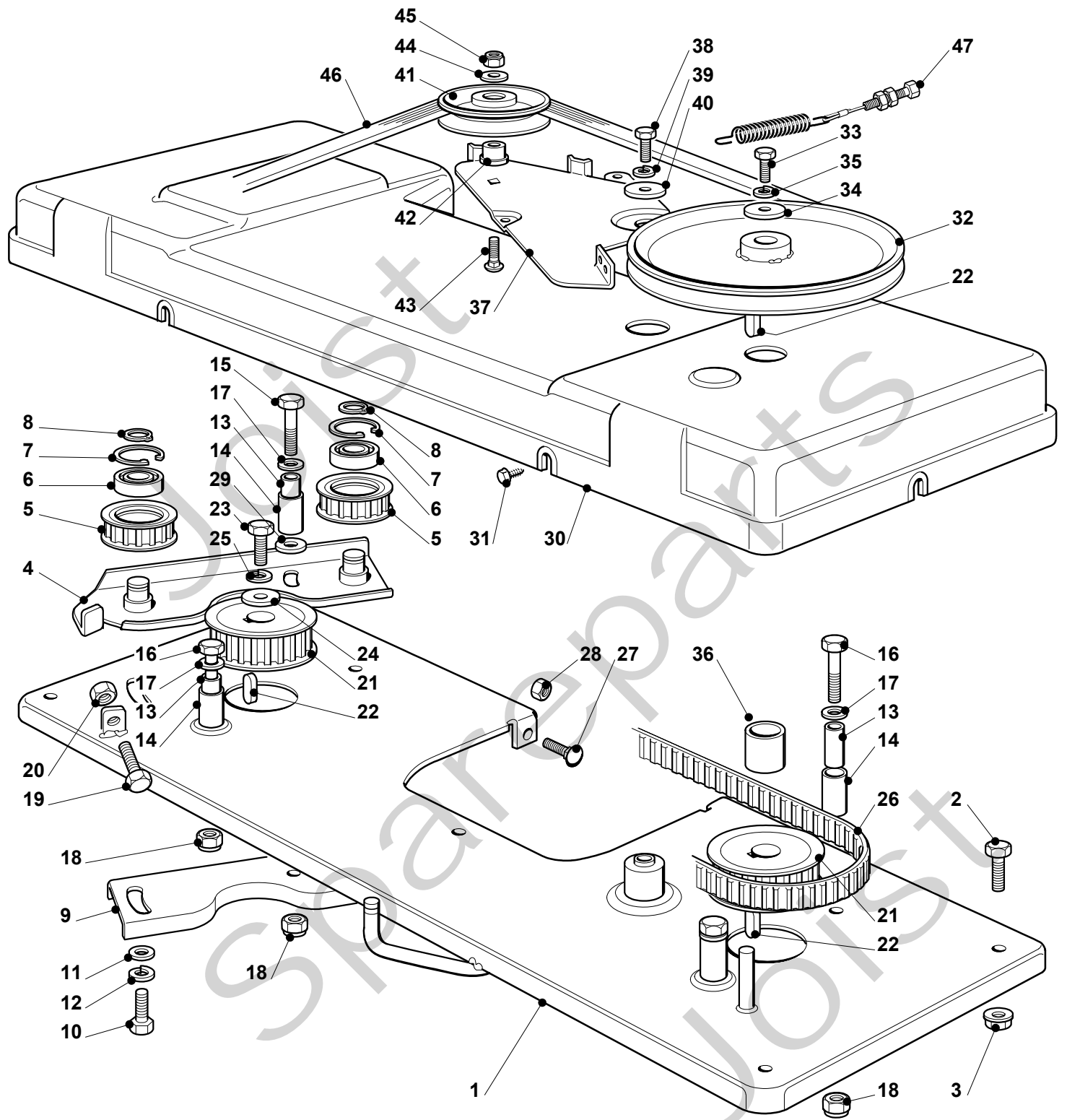




## GRAND OVERLAND PRO

Pos. Fig.	Antal Quantity	Art No Part No	Benämning	Description	Anmärkning Notes
1	1	382785181/1	Stöd	Bracket	
2	2	12818690/0	Skruv	Screw	
3	2	12293201/0	Mutter	Nut	
4	1	125520009/0	Axel	Axle	
5	1	22672151/0	Bricka	Washer	
6	1	12436030/0	Trombocyt	Plate	
7	1	325060037/0	Fäste	Cam	
8	1	325394530/0	Knopp	Knob	
9	1	112760600/0	Skruv	Screw	
10	1	325430267/0	Fjäder	Spring	
11	1	22170600/0	Distans	Spacer	
12	1	12789195/0	Skruv	Screw	
13	1	12154320/0	Mutter	Nut	
14	1	382000615/0	Axel	Axle	
15	2	325785355/0	Stöd	Bracket	
16	4	325034003/0	Bussning	Brass	
17	2	325785354/0	Stöd	Bracket	
19	1	125943005/0	Skruv	Screw	
20	1	12295200/0	Mutter	Nut	
21	4	112815271/0	Skruv	Screw	
22	4	12523040/0	Bricka	Washer	
23	4	12154510/0	Mutter	Nut	
31	1	82318159/0	Right Lever (Mod. 122)	Right Lever	
32	1	82318161/0	Left Lever (Mod. 122)	Left Lever	
33	4	25040605/0	Kompass	Bush	
34	2	25318161/0	Arm	Lever	
35	2	12691700/0	Skruv	Screw	
36	4	12521350/0	Bricka	Washer	
37	2	12155000/0	Mutter	Nut	
38	2	125510069/1	Stift	Pin	
39	4	12295200/0	Mutter	Nut	
40	2	12156602/0	Mutter	Nut	
41	4	25670008/1	Bricka	Washer	
42	2	24487998/0	Låsnål	Cotter Pin	
43	2	82000477/2	Vevstake	Connecting Rod	
44	2	125510055/1	Stift	Pin	
45	2	12521350/0	Bricka	Washer	
46	2	12155000/0	Mutter	Nut	
47	2	12155000/0	Mutter	Nut	
48	2	12293200/0	Mutter	Nut	
49	2	25318153/1	Spännarm	Rear Lever	
50	2	12609255/0	Seegerring	Seeger	
51	2	325318223/0	Spak	Lever	
52	2	125510048/1	Stift	Pin	
53	4	25670011/0	Bricka	Washer	
54	2	12436050/0	Trombocyt	Plate	
55	2	25510056/0	Stift	Pin	
56	4	25670008/1	Bricka	Washer	
57	2	12156602/0	Mutter	Nut	
58	2	12794985/0	Skruv	Screw	
59	2	12295200/0	Mutter	Nut	
60	2	25510070/0	Stift	Pin	
61	2	12523090/0	Bricka	Washer	
62	2	24487998/0	Låsnål	Cotter Pin	
63	1	125510117/0	Stift	Pin	
64	1	125510048/1	Stift	Pin	
65	2	25670011/0	Bricka	Washer	
66	2	12436050/0	Trombocyt	Plate	
67	2	12521350/0	Bricka	Washer	

## GRAND OVERLAND PRO



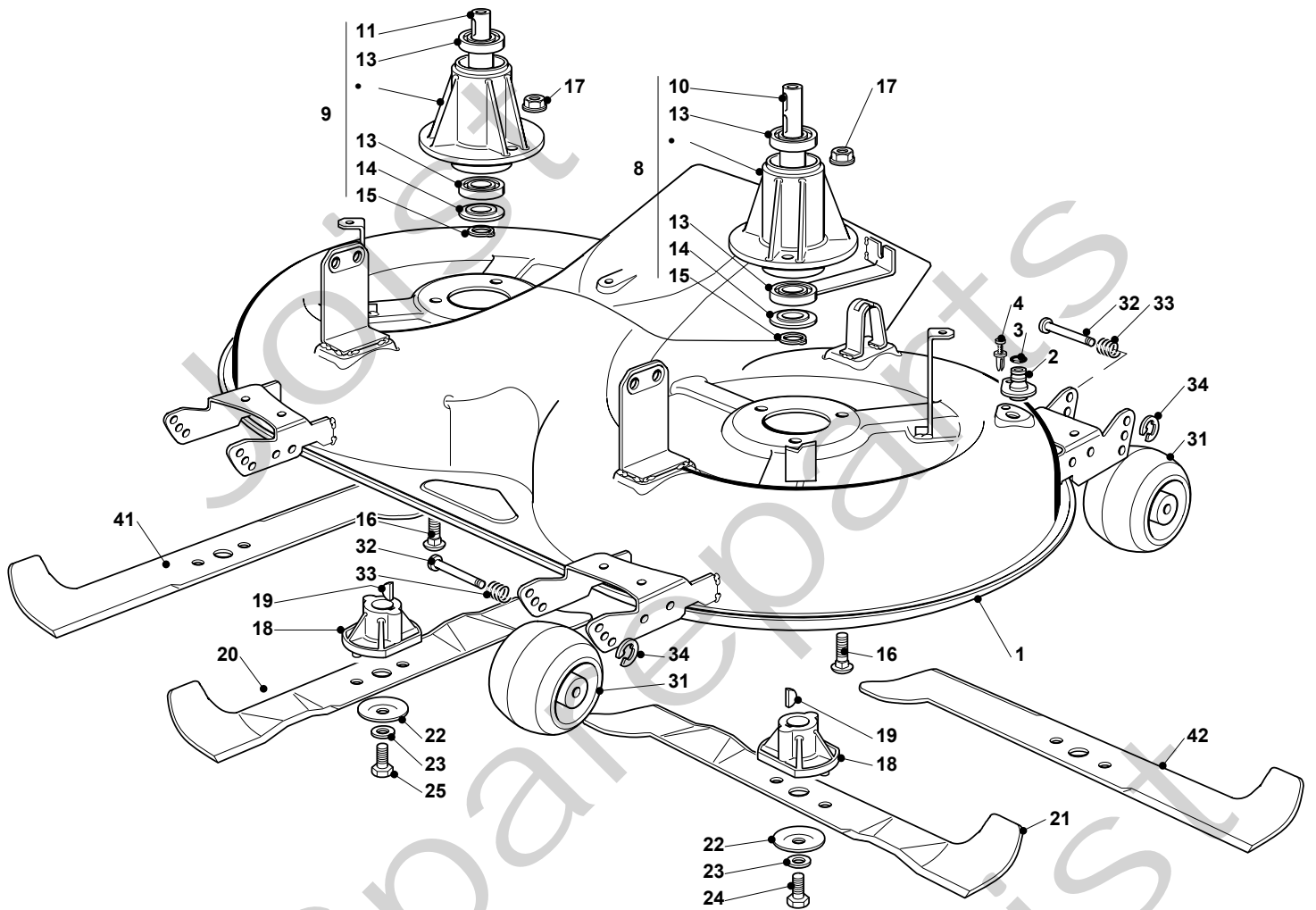




## GRAND OVERLAND PRO

Pos. Fig.	Antal Quantity	Art No Part No	Benämning	Description	Anmärkning Notes
1	1	82547005/1	Tavla	Plate	
2	4	12792611/0	Skruv	Screw	
3	4	12293201/0	Mutter	Nut	
4	1	82785084/1	Stöd	Support	
5	2	25601561/0	Remskiva	Pulley	
6	2	119216048/0	Kullager	Bearing	
7	2	12610800/0	Seegerring	Seeger	
8	2	12609200/0	Seegerring	Seeger	
9	1	25650037/0	Reduktion	Stiffening	
10	2	12793102/0	Skruv	Screw	
11	2	12521350/0	Bricka	Washer	
12	2	12583500/0	Bricka	Grower	
13	4	25160003/0	Distans	Spacer	
14	4	25038000/0	Bussning	Bushing	
15	1	12691700/0	Skruv	Screw	
16	3	12691200/0	Skruv	Right Screw	
17	4	12521350/0	Bricka	Washer	
18	4	12155000/0	Mutter	Nut	
19	1	12793900/0	Skruv	Screw	
20	1	12293200/0	Mutter	Nut	
21	2	25601562/0	Remskiva	Pulley	
22	3	12139480/0	Kil	Feather	
23	1	12793102/0	Skruv	Screw	
24	1	25670007/0	Bricka	Washer	
25	1	12583500/0	Bricka	Grower	
26	1	35065601/0	Drivrem	Belt	
27	3	12815200/0	Skruv	Screw	
28	3	12292102/0	Mutter	Nut	
29	1	12523060/0	Bricka	Washer	
30	1	25060101/2	Hus	Case	
31	6	12735110/0	Skruv	Screw	
32	1	25601549/0	Remskiva	Pulley	
33	1	12793102/0	Skruv	Screw	
34	1	25670007/0	Bricka	Washer	
35	1	12583500/0	Bricka	Grower	
36	1	25160002/0	Distans	Spacer	
37	1	25318119/0	Bromsarm	Brake Lever	
38	1	12793102/0	Skruv	Screw	
39	1	12583500/0	Bricka	Grower	
40	1	12523070/0	Bricka	Washer	
41	1	25601555/0	Remskiva	Pulley	
42	1	25160007/0	Distans	Spacer	
43	1	12818900/0	Skruv	Screw	
44	1	12523060/0	Bricka	Washer	
45	1	12155000/0	Mutter	Nut	
46	1	35062812/0	Drivrem	Belt	
47	1	82004609/0	Kabel	Wire	

GRAND OVERLAND PRO

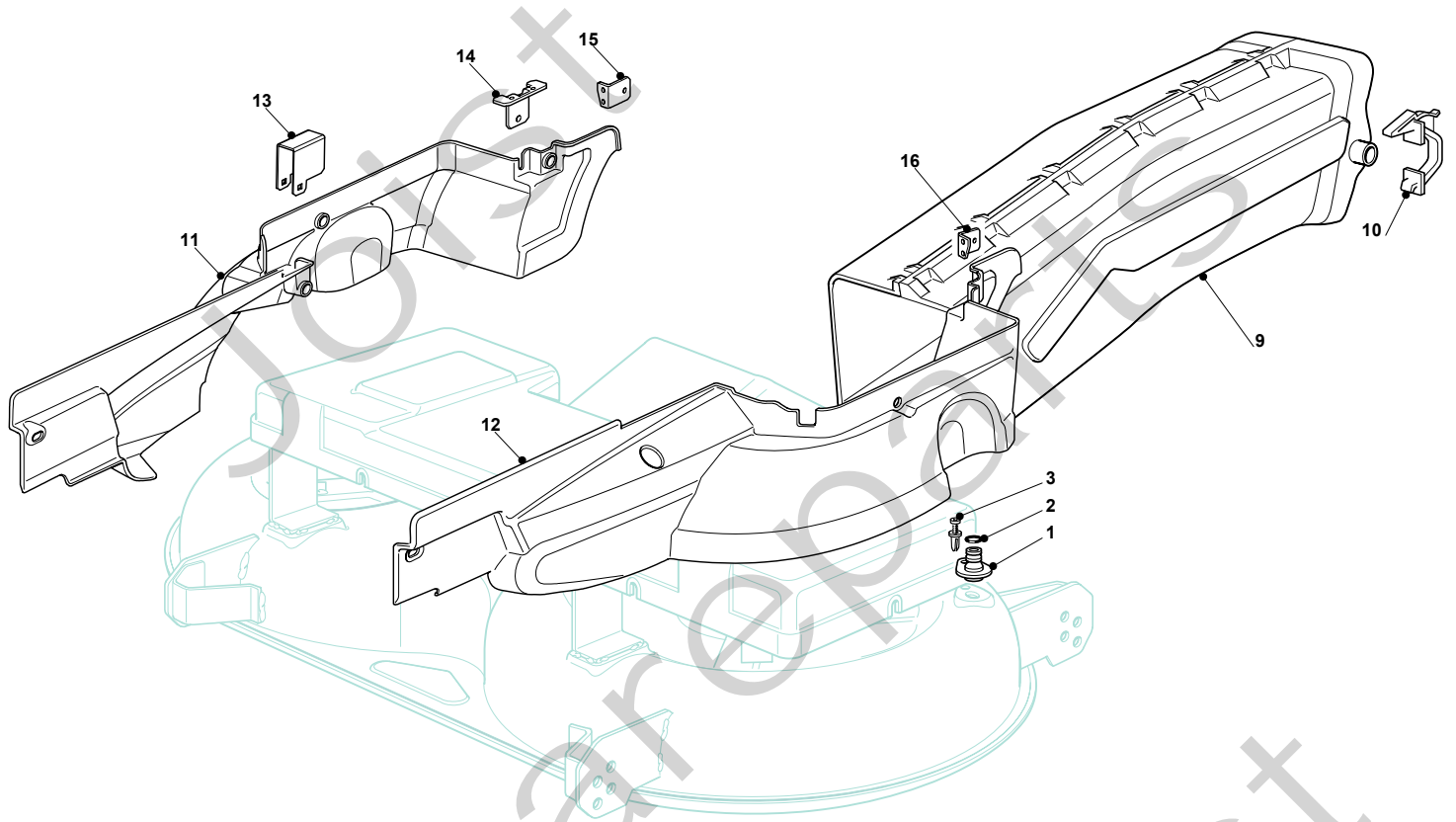




## GRAND OVERLAND PRO

Pos. Fig.	Antal Quantity	Art No Part No	Benämning	Description	Anmärkning Notes
1	1	382564215/0	Cutting Plate Yellow	Cutting Plate Yellow	
2	2	25033060/0	Water Hose Connection	Water Hose Connection	
3	2	19035000/0	O-ring	Or Ring	
4	2	12500030/0	Rivet	Rivet	
8	1	82207200/1	Main Shaft Support	Main Shaft Support	
9	1	82207201/2	Fläns	Secondary Shaft Support	
10	1	25020800/1	Knivaxel	Main Blade Shaft	
11	1	25020801/2	Knivaxel	Secondary Blade Shaft	
13	4	19216032/0	Kullager	Bearing	
14	2	25160501/0	Dammskydd	Dust Cover	
15	2	12609260/0	Seeger	Seeger	
16	6	12818700/0	Skruv	Screw	
17	6	12154210/0	Mutter	Nut	
18	2	25463200/0	Knivfäste	Blade Hub	
19	2	12139100/0	Kil	Feather, Crankshaft Ø 22.2	
20	1	82004350/0	Kniv	Right Blade Mulching, Winged (Mod. 122)	
21	1	82004349/0	Kniv	Left Blade Mulching, Winged (Mod. 122)	
22	2	22160400/0	Dammskydd	Dust Cover	
23	2	12523080/0	Bricka	Washer	
24	1	12735694/0	Skruv	Screw	
25	1	12735695/1	Skruv	Screw	
31	4	182700004/0	Anti Scalp Wheel Ø 100	Anti Scalp Wheel Ø 100	
32	4	125510121/0	Stift	Pin	
33	4	22450115/0	Fjäder	Spring	
34	4	12000930/0	Avgasrör	Crown Fastener	
41	1	82004343/0	Kniv	Right Blade, Winged (Mod. 122)	
42	1	82004342/0	Kniv	Left Blade, Winged (Mod. 122)	

**GRAND OVERLAND PRO**





## GRAND OVERLAND PRO

Pos. Fig.	Antal Quantity	Art No Part No	Benämning	Description	Anmärkning Notes
1	2	25033060/0	Water Hose Connection	Water Hose Connection	
2	2	19035000/0	O-ring	Or Ring	
3	2	12500030/0	Rivet	Rivet	
9	1	382108019/0	Inmatningsträtt	Conveyor	
10	2	25774373/0	Fäste	Clamp	
11	1	325060152/0	Skydd	Protection	
12	1	325060153/0	Skydd	Protection	
13	2	325774267/0	Fäste	Clamp	
14	2	325774423/0	Fäste	Clamp	
15	1	325774425/0	Fäste	Clamp	
16	1	325774421/0	Fäste	Clamp	

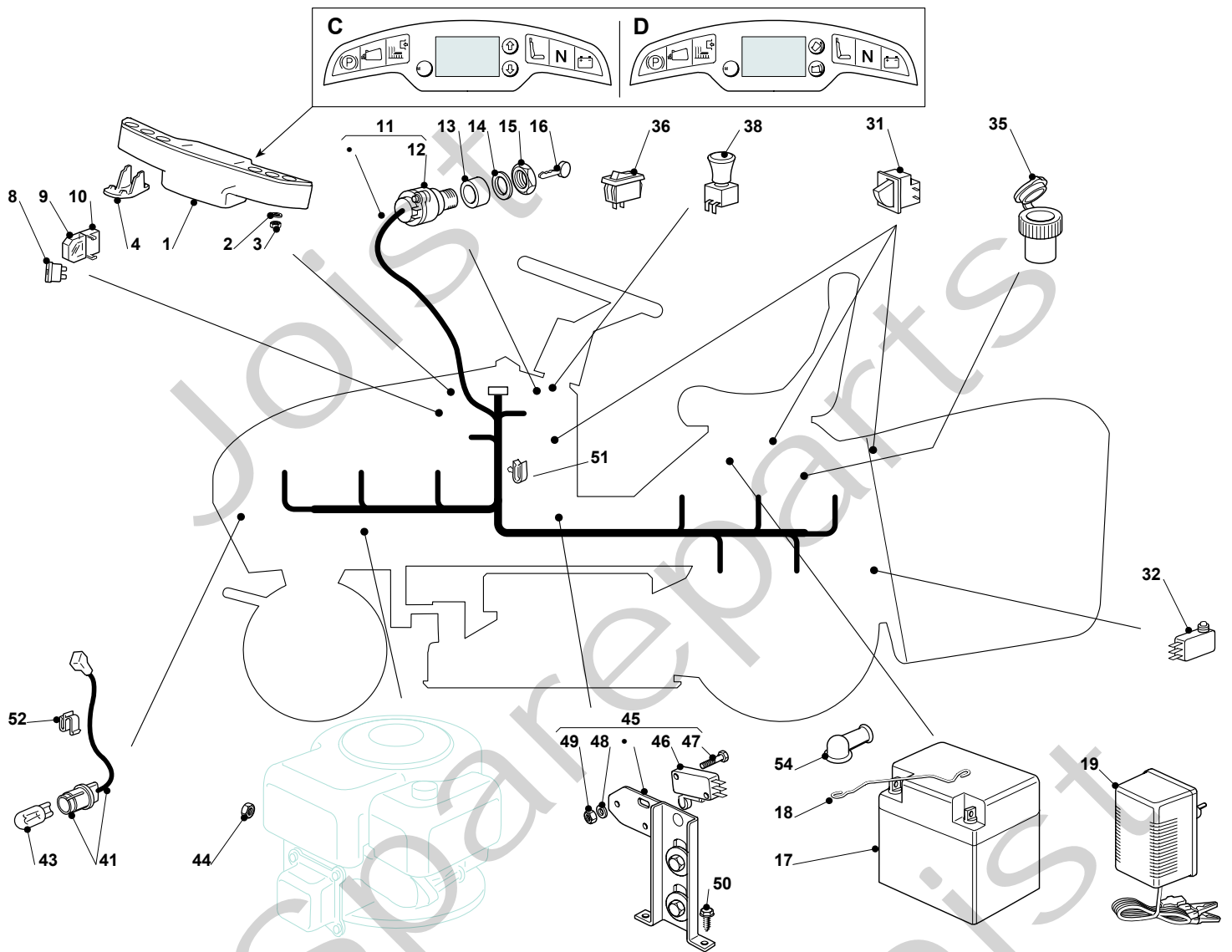




## GRAND OVERLAND PRO

Pos. Fig.	Antal Quantity	Art No Part No	Benämning	Description	Anmärkning Notes
1	1	382547053/0	Tavla	Plate	
2	2	82774245/0	Stöd	Support	
3	6	12793102/0	Skruv	Screw	
4	6	12523060/0	Bricka	Washer	
5	6	12293201/0	Mutter	Nut	
11	1	325774417/0	Fäste	Clamp	
12	1	325755031/1	Fäste	Bracket	
13	1	125510080/1	Stift	Pin	
14	1	12292102/0	Mutter	Nut	
15	1	12735122/0	Skruv	Screw	
16	1	27430579/0	Fjäder	Spring	
21	1	25600041/0	Skydd	Micro Protection	
22	1	25600042/0	Överbelastningsskydd	Protection Cover	
23	1	25318124/0	Arm	Lever	
24	1	12400030/0	Stift	Pin	
25	1	12728510/0	Skruv	Screw	
26	1	25785272/0	Knivskydd	Micro Protection	
27	1	25600048/0	Överbelastningsskydd	Protection Cover	
28	2	12728450/0	Skruv	Screw	
31	4	18566110/0	Skydd-grå	Cap	
32	4	12735410/0	Skruv	Screw	
33	2	12689500/0	Skruv	Screw	
34	4	12521330/0	Bricka	Washer	
35	4	12154510/0	Mutter	Nut	
36	2	12815220/0	Skruv	Screw	
37	2	12521330/0	Bricka	Washer	
38	2	12154510/0	Mutter	Nut	
41	1	82000507/0	Axel	Axle	
42	2	25774317/0	Trombocyt	Plate	
43	4	12815210/0	Skruv	Screw	
44	4	12154510/0	Mutter	Nut	
45	1	18001000/0	Aktuator	Actuator	
46	1	25510083/0	Stift	Pin	
47	2	12000955/0	Låsring	Circlip	
48	1	25785197/0	Stöd	Support	
49	1	25600060/0	Skydd	Protection	
50	1	12727795/0	Skruv	Screw	
51	1	12154330/0	Mutter	Nut	
52	1	25510083/0	Stift	Pin	
53	2	12000955/0	Låsring	Circlip	
54	1	82650209/0	Reduktion	Stiffening	
55	1	125065030/0	Connecting Cable	Connecting Cable	
61	2	82785147/0	Stöd	Support	
62	2	25690001/0	Sprint	Roll	
63	2	12000956/0	Låsring	Benzing	
64	4	12818690/0	Skruv	Screw	
65	4	12293201/0	Mutter	Nut	
71	1	382800123/1	Chassi	Upper Frame	
72	1	382800089/1	Front Frame	Front Frame	
73	1	325800031/0	Chassi	Lower Frame	
74	1	25547131/0	Trombocyt	Plate	
75	1	382650039/0	Trådbygel	Lower Stiffening	
76	6	12815220/0	Skruv	Screw	
77	4	12815245/0	Skruv	Screw	
78	10	12521330/0	Bricka	Washer	
79	10	12154510/0	Mutter	Nut	
80	1	25869029/1	Rör	Rod	
81	1	25394508/0	Handtag	Handle	
82	1	12674550/0	Skruv	Screw	
83	1	12154510/0	Mutter	Nut	
84	1	182105945/0	Uppsamlare	Grasscatcher	
85	1	25120232/0	Lock	Cap	
86	1	325650159/0	Trådbygel	Rear Stiffening	
91	1	382180117/0	Screws Outfit	Screws Outfit	

## GRAND OVERLAND PRO



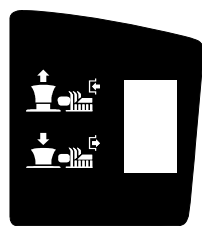




## GRAND OVERLAND PRO

Pos. Fig.	Antal Quantity	Art No Part No	Benämning	Description	Anmärkning Notes
1	1	382722422/3	Cards + Guards (D)	Cards + Guards (D)	
2	2	12521320/0	Bricka	Washer	
3	2	12154330/0	Mutter	Nut	
4	1	25031501/0	Deflektor	Deflector	
8	1	33340035/0	Säkring	Fuse 15 A	
8	1	33340036/0	Säkring	Fuse 25 A	
8	1	33340040/0	Säkring	Fuse 10A	
9	3	33215000/0	Kåpa	Cover	
10	3	33500007/0	Säkring	Fuse Carrier	
11	1	182040149/0	Kabel	Cables Ass.Y	
12	1	18450072/0	Brytare	Starting Switch	
13	1	18550136/0	Distans	Spacer	
14	1	18550135/0	Bricka	Washer	
15	1	18400862/0	Ringmutter	Ringnut	
16	1	18210022/0	Starting Key	Starting Key	
17	1	118120057/0	Batteri	Battery	
18	1	25430230/0	Fjäder	Spring	
19	1	182180090/0	Batteriladdare	Battery Charger	
31	3	119410615/0	Brytare	Micro	
32	1	19410605/1	Brytare	Full Grasscat. Microsw.	
33	1	19410609/0	Neutral Switch (Hydro)	Neutral Switch (Hydro)	
35	1	9400-0317-01	Auxiliary Accessory Socket	Auxiliary Accessory Socket	
36	1	18450060/1	Farilamp Switch	Farilamp Switch	
38	1	18450068/0	Kopplingshus	Clutch Switch	
41	1	82040073/0	Kabel	Cable	
43	2	18459100/0	Farilamp For Lights	Farilamp For Lights	
44	1	12361005/0	Mutter	Nut	
51	5	33320506/0	Kabelhållare	Fairled	
52	1	33320504/0	Kabelhållare	Fairled	
54	1	18564864/1	Tätningshylsa	Protection	

## GRAND OVERLAND PRO



18



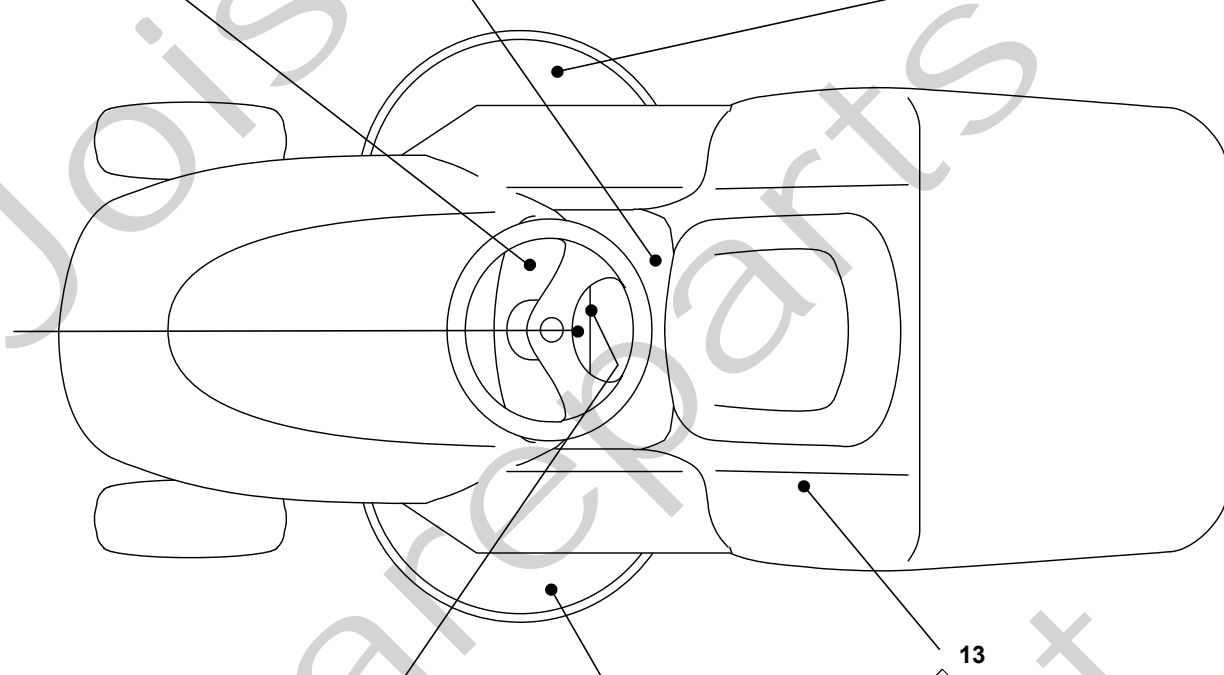
1



10



5



8



10



13



17

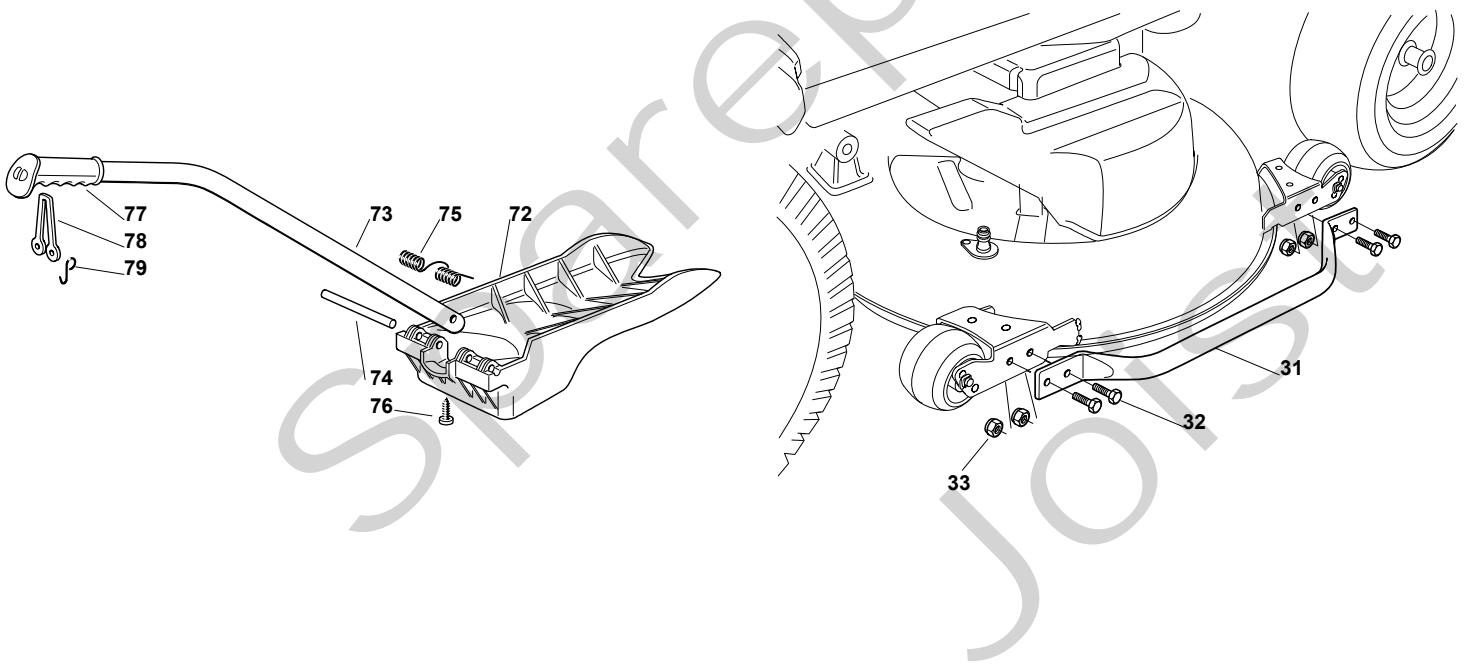
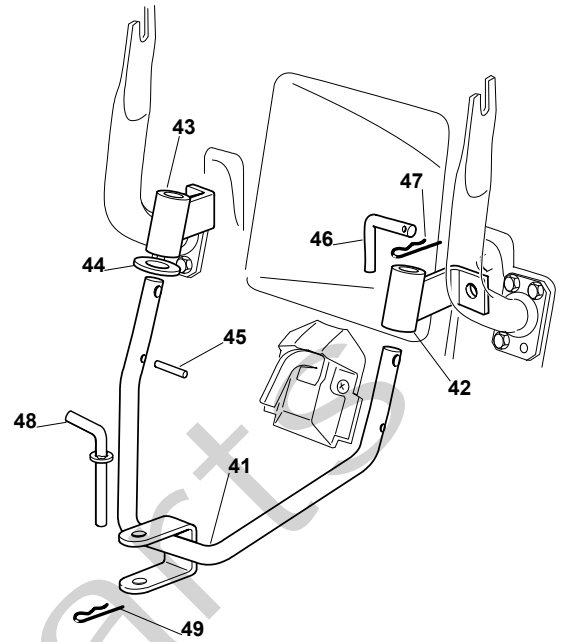
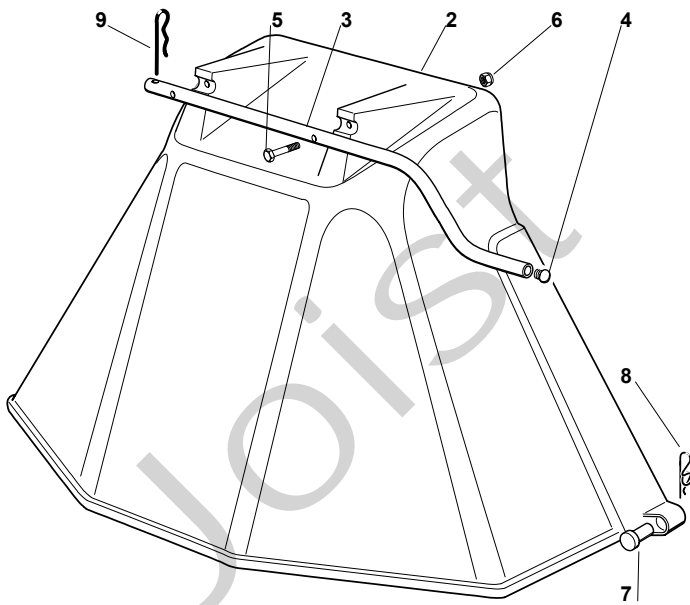




## GRAND OVERLAND PRO

Pos. Fig.	Antal Quantity	Art No Part No	Benämning	Description	Anmärkning Notes
1	1	14361553/0	Dekal	Label	
5	1	11436512/0	Dekal	Label	
10	2	114356699/1	Dekal	Label	
13	1	14357913/0	Dekal	Label	
17	1	114363414/0	Dekal	Label	
18	1	14360715/2	Dekal	Label	

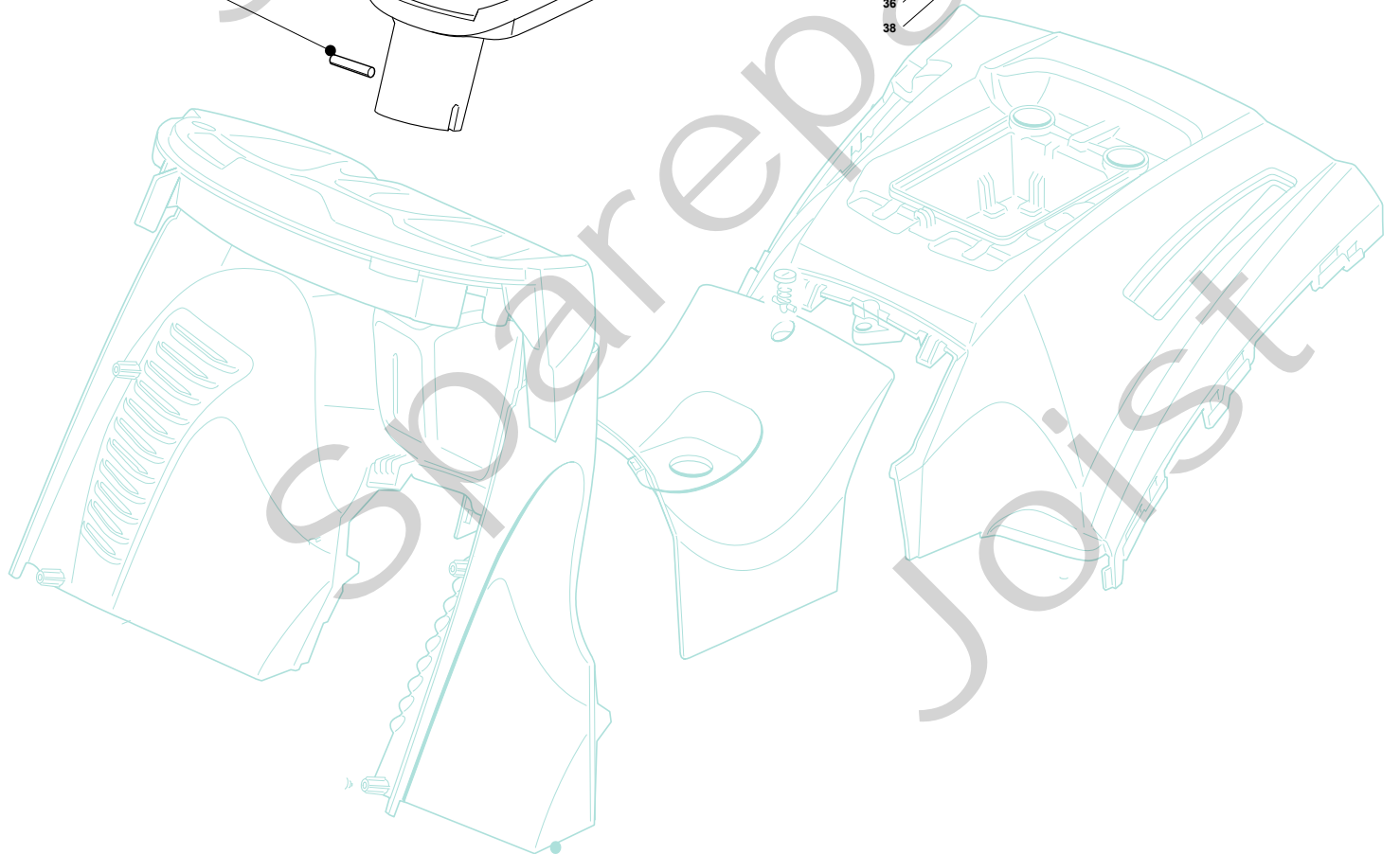
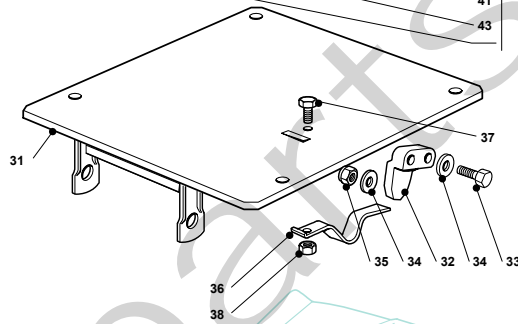
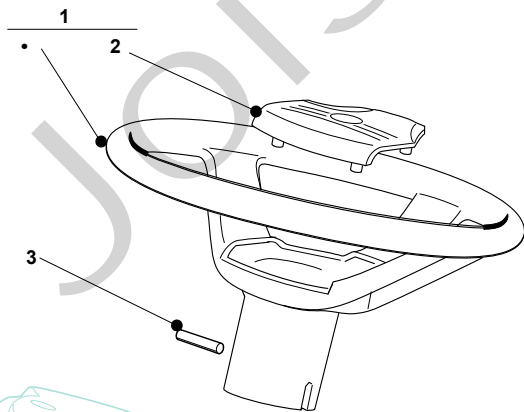
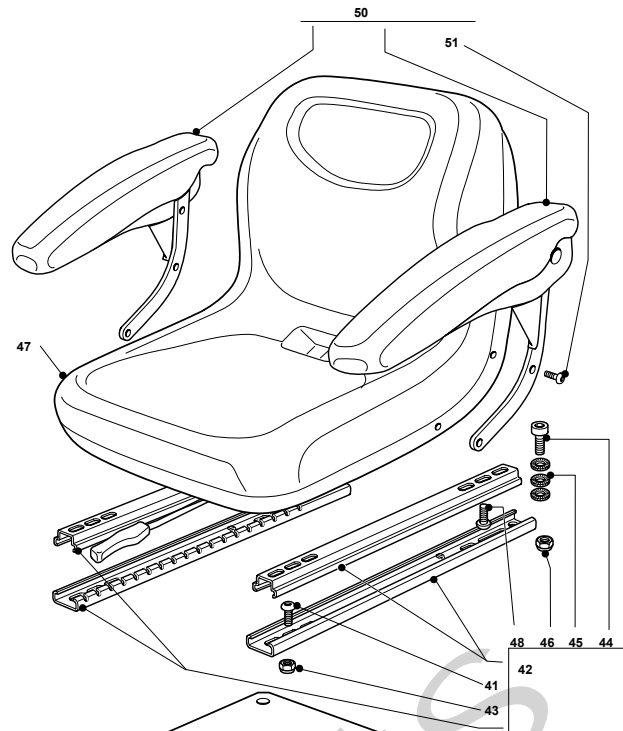
# GRAND OVERLAND PRO



**GRAND OVERLAND PRO**

Pos. Fig.	Antal Quantity	Art No Part No	Benämning	Description	Anmärkning Notes
2	1	82400003/1	Avsluta Skydd	Ejection Guard	
3	1	25869043/0	Support	Support	
4	2	18566112/0	Plugg	Cap	
5	2	12689515/0	Skruv	Screw	
6	2	12154510/0	Mutter	Nut	
7	2	25510022/0	Stift	Pin	
8	2	24487998/0	Låsnål	Cotter Pin	
9	1	24487999/0	Låsnål	Cotter Pin	
31	2	325869079/0	Skydd	Guard	
32	8	12793102/0	Skruv	Screw	
33	8	12155000/0	Mutter	Nut	
41	1	382033113/0	Stång	Rod	
42	1	382774265/0	Fäste	Bracket Right Hitch Support	
43	1	382774267/0	Fäste	Bracket Left Hitch Support	
44	2	112521395/0	Skruv	Screw	
45	2	12620305/0	Stift	Pin	
45	1	25510021/1	Stift	Pin	
46	2	125510118/0	Stift	Pin	
47	2	24487997/0	Bricka	Washer	
48	1	24487999/0	Låsnål	Cotter Pin	
72	1	25140092/0	Deflektor	Deflector	
73	1	325394019/0	Styre	Handle	
74	1	25510077/0	Stift	Pin	
75	1	25430245/0	Fjäder	Spring	
76	1	12735405/0	Skruv	Screw	
77	1	25280000/1	Handtag	Handgrip	
78	1	25840011/1	Stång	Elastic Tie-Rod	
79	2	25253004/0	Hake	Hook	

**GRAND OVERLAND PRO**





## GRAND OVERLAND PRO

Pos. Fig.	Antal Quantity	Art No Part No	Benämning	Description	Anmärkning Notes
1	1	25961210/0	Rott	Steering Wheel	
2	1	25580501/0	Lock	Cap	
3	1	12620299/0	Stift	Pin	
31	1	382735809/0	Fixed Seat Supp.	Fixed Seat Supp.	
32	1	25060033/0	Fäste	Cam	
33	2	12815050/0	Skruv	Screw	
34	4	12521320/0	Bricka	Washer	
35	2	12372550/0	Mutter	Nut	
36	1	125430271/0	Fjäder	Spring	
41	4	12760605/0	Skruv	Screw	
42	1	382180115/0	Guide Assy	Guide Assy	
43	4	12155000/0	Mutter	Nut	
44	1	12760515/0	Skruv	Screw	
45	3	12540060/0	Bricka	Washer	
46	1	12155000/0	Mutter	Nut	
47	1	125722473/0	Seat	Seat	
48	4	12760605/0	Skruv	Screw	
50	1	382180112/0	Arm-Rest Assy	Arm-Rest Assy	
51	6	12760605/0	Skruv	Screw	