

# Genuine Spare Parts

www.stiga.com

## GARDEN COMPACT EV - 2T0030381/11 Model Year 2011

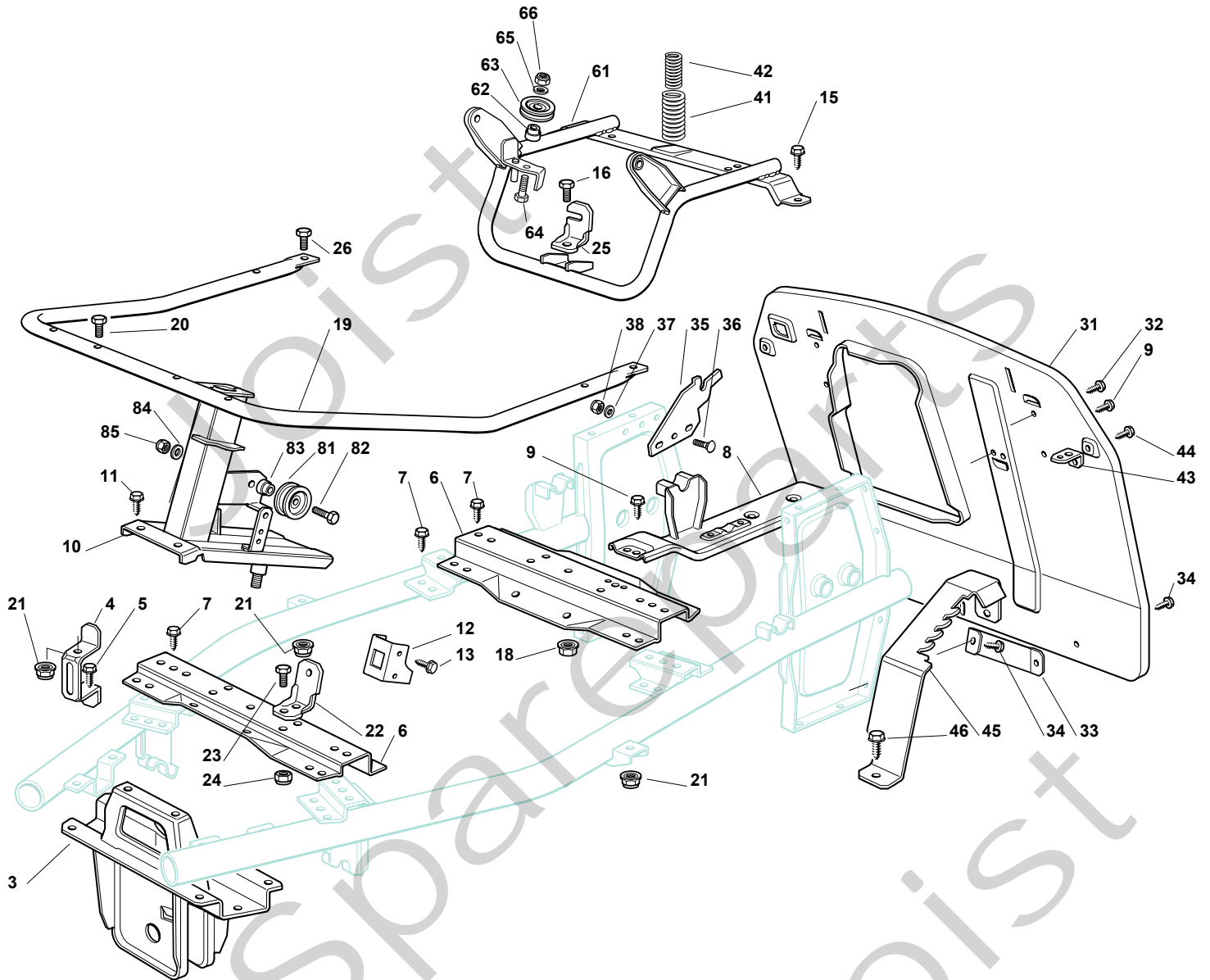
- Use GLOBAL GARDEN PRODUCT Genuine Spare Parts specified in the parts list for repair and/or replacement.
- The contents described in the parts list may change due to improvement.
- The drawings of the spare parts are only indicative and might not represent the part in question exactly.
- The indications "right" - "left" - "front" - "rear" refer to the position of the operator when using the machine.
- When placing orders of parts for repair and/or replacement, make sure that the illustrated parts list is the one applying to the machine's year of manufacture, as shown on the identification plate attached to the machine.

COPYRIGHT by GLOBAL GARDEN PRODUCTS

All rights reserved. No part of this material may be reproduced or transmitted, in any form or by any means, electronic or mechanical, including photocopying, recording or by any information storage and retrieval system, without permission in writing from GLOBAL GARDEN PRODUCTS.

**STIGA**®

GARDEN COMPACT EV

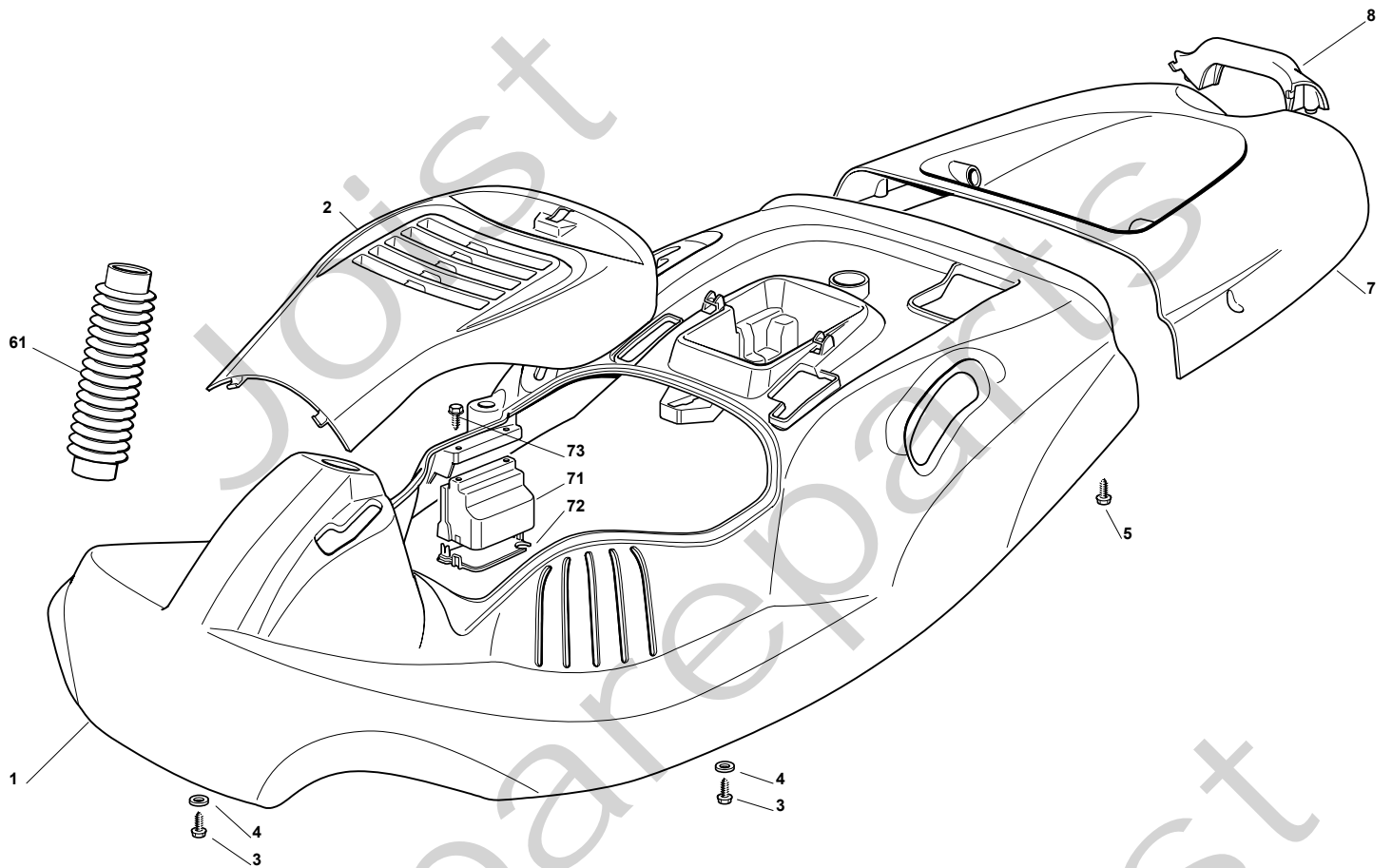




## GARDEN COMPACT EV

| Pos. Fig. | Antal Quantity | Art No Part No | Benämning    | Description   | Anmärkning Notes |
|-----------|----------------|----------------|--------------|---------------|------------------|
| 3         | 1              | 84783015/1     | Stöd         | Support       |                  |
| 4         | 2              | 27772121/0     | Fäste        | Clamp         |                  |
| 5         | 6              | 12735121/0     | Skruv        | Screw         |                  |
| 6         | 2              | 27650115/1     | Trådbygel    | Stiffening    |                  |
| 7         | 10             | 12735121/0     | Skruv        | Screw         |                  |
| 8         | 1              | 84650105/0     | Reduktion    | Stiffening    |                  |
| 9         | 4              | 12735121/0     | Skruv        | Screw         |                  |
| 10        | 1              | 384783055/0    | Support      | Support       |                  |
| 11        | 6              | 12735121/0     | Skruv        | Screw         |                  |
| 12        | 1              | 27772095/0     | Klämma       | Support       |                  |
| 13        | 2              | 12735105/0     | Skruv        | Screw         |                  |
| 15        | 2              | 12735121/0     | Skruv        | Screw         |                  |
| 16        | 1              | 12793701/0     | Skruv        | Screw         |                  |
| 18        | 1              | 12293201/0     | Mutter       | Nut           |                  |
| 19        | 1              | 27869057/0     | Support      | Support       |                  |
| 20        | 2              | 12792099/0     | Skruv        | Screw         |                  |
| 21        | 4              | 12154510/0     | Mutter       | Nut           |                  |
| 22        | 1              | 27773077/0     | Fästvinkel   | Angle Bracket |                  |
| 23        | 1              | 12791011/0     | Skruv        | Screw         |                  |
| 24        | 1              | 12154510/0     | Mutter       | Nut           |                  |
| 25        | 1              | 27753081/0     | Fästvinkel   | Angle Bracket |                  |
| 26        | 2              | 12791500/0     | Skruv        | Screw         |                  |
| 31        | 1              | 84545061/0     | Platta       | Rear Plate    |                  |
| 32        | 4              | 12735121/0     | Skruv        | Screw         |                  |
| 33        | 2              | 27650111/0     | Reduktion    | Stiffening    |                  |
| 34        | 4              | 12735121/0     | Skruv        | Screw         |                  |
| 35        | 2              | 27772131/0     | Fäste        | Clamp         |                  |
| 36        | 2              | 12818690/0     | Skruv        | Screw         |                  |
| 37        | 2              | 12521350/0     | Bricka       | Washer        |                  |
| 38        | 2              | 12155000/0     | Mutter       | Nut           |                  |
| 41        | 1              | 27430567/0     | Fjäder       | Spring        |                  |
| 42        | 1              | 27430569/1     | Fjäder       | Spring        |                  |
| 43        | 2              | 27753073/0     | Fästvinkel   | Angle Bracket |                  |
| 44        | 2              | 12729600/0     | Skruv        | Screw         |                  |
| 45        | 1              | 27734059/0     | Sector       | Rack          |                  |
| 46        | 2              | 12735121/0     | Skruv        | Screw         |                  |
| 61        | 1              | 384801141/0    | Seat Support | Support       |                  |
| 62        | 1              | 22170910/0     | Stift        | Pin           |                  |
| 63        | 1              | 81003375/1     | Stödhjul     | Wheel (B&S)   |                  |
| 64        | 1              | 12691200/0     | Skruv        | Right Screw   |                  |
| 65        | 1              | 12523060/0     | Bricka       | Washer        |                  |
| 66        | 1              | 12155000/0     | Mutter       | Nut           |                  |
| 81        | 1              | 81003375/1     | Stödhjul     | Wheel (B&S)   |                  |
| 82        | 1              | 12691200/0     | Skruv        | Right Screw   |                  |
| 83        | 1              | 22170910/0     | Stift        | Pin           |                  |
| 84        | 1              | 12523060/0     | Bricka       | Washer        |                  |
| 85        | 1              | 12155000/0     | Mutter       | Nut           |                  |

GARDEN COMPACT EV

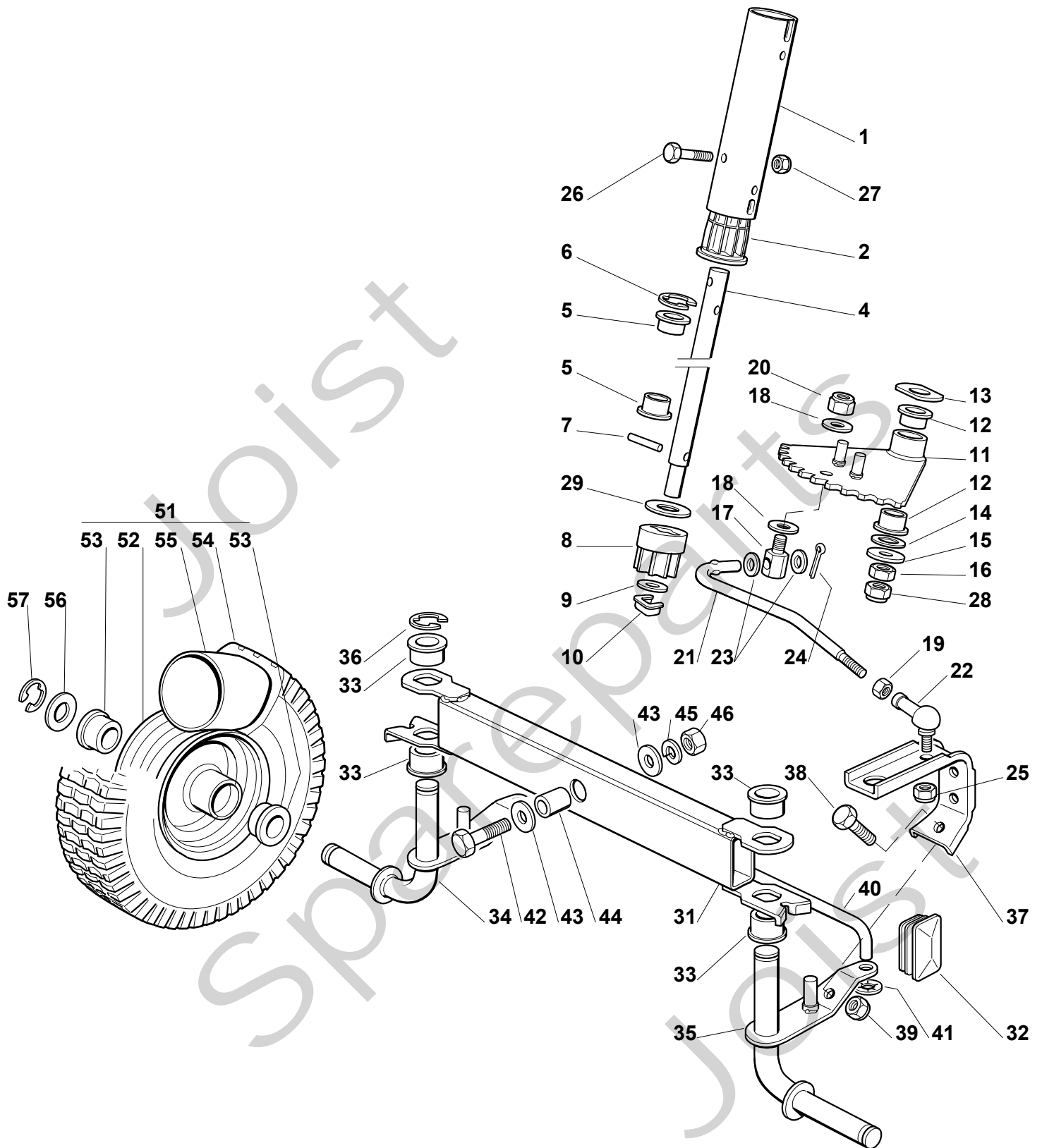




## GARDEN COMPACT EV

| Pos. Fig. | Antal Quantity | Art No Part No | Benämning | Description                 | Anmärkning Notes |
|-----------|----------------|----------------|-----------|-----------------------------|------------------|
| 1         | 1              | 27110371/0     | Kåpa      | Wheels Cover Yellow         |                  |
| 2         | 1              | 27110409/0     | Kåpa      | Engine Cover Grey           |                  |
| 3         | 4              | 12735410/0     | Skruv     | Screw                       |                  |
| 4         | 4              | 12523040/0     | Bricka    | Washer                      |                  |
| 5         | 2              | 12735402/0     | Skruv     | Screw                       |                  |
| 7         | 1              | 27110373/0     | Kåpa      | Grass-Catcher Cover, Yellow |                  |
| 8         | 1              | 27394000/0     | Handtag   | Handle                      |                  |
| 61        | 1              | 27600114/1     | Skydd     | Guard                       |                  |
| 71        | 1              | 27600119/0     | Skydd-Röd | Guard                       |                  |
| 72        | 1              | 27600118/0     | Skydd-Röd | Guard                       |                  |
| 73        | 2              | 12727810/0     | Skruv     | Screw                       |                  |

## GARDEN COMPACT EV

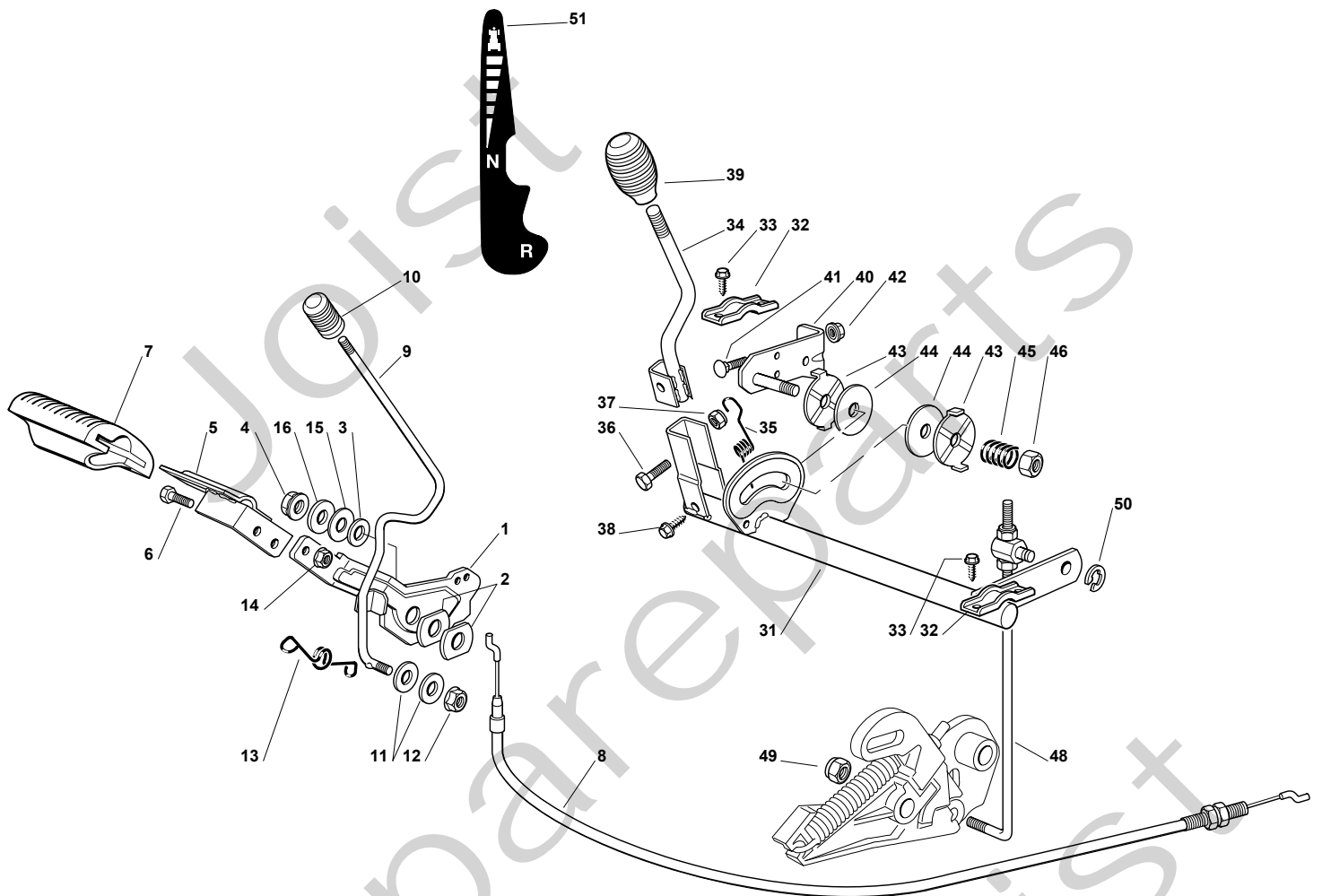




## GARDEN COMPACT EV

| Pos. Fig. | Antal Quantity | Art No Part No | Benämning       | Description     | Anmärkning Notes |
|-----------|----------------|----------------|-----------------|-----------------|------------------|
| 1         | 1              | 27340305/1     | Förlängning     | Colum Extension |                  |
| 2         | 1              | 27047005/1     | Bussning        | Bush            |                  |
| 4         | 1              | 27520052/0     | Steering Column | Steering Column |                  |
| 5         | 2              | 27047004/0     | Bussning        | Bush            |                  |
| 6         | 1              | 12001010/0     | Låsring         | Benzing         |                  |
| 7         | 1              | 12622650/0     | Stift           | Pin             |                  |
| 8         | 1              | 27570050/0     | Drev            | Pinion          |                  |
| 9         | 1              | 12521370/0     | Bricka          | Washer          |                  |
| 10        | 1              | 12436030/0     | Plåt            | Plate           |                  |
| 11        | 1              | 84735553/1     | Ringdrev        | Ring Gear       |                  |
| 12        | 2              | 27047004/0     | Bussning        | Bush            |                  |
| 13        | 1              | 27670054/0     | Bricka          | Washer          |                  |
| 14        | 1              | 22672152/0     | Bricka          | Washer          |                  |
| 15        | 1              | 12523070/0     | Bricka          | Washer          |                  |
| 16        | 1              | 12293200/0     | Mutter          | Nut             |                  |
| 17        | 1              | 25510056/0     | Stift           | Pin             |                  |
| 18        | 2              | 25670008/1     | Bricka          | Washer          |                  |
| 19        | 1              | 12293200/0     | Mutter          | Nut             |                  |
| 20        | 1              | 12156602/0     | Mutter          | Nut             |                  |
| 21        | 1              | 27034066/2     | Länk            | Rod             |                  |
| 22        | 1              | 122746610/0    | Mutter          | Joint           |                  |
| 23        | 2              | 25670008/1     | Bricka          | Washer          |                  |
| 24        | 1              | 12141418/0     | Bricka          | Washer          |                  |
| 25        | 1              | 12155000/0     | Mutter          | Nut             |                  |
| 26        | 2              | 12689515/0     | Skruv           | Screw           |                  |
| 27        | 2              | 12154510/0     | Mutter          | Nut             |                  |
| 28        | 1              | 12155000/0     | Mutter          | Nut             |                  |
| 29        | 1              | 27670054/0     | Bricka          | Washer          |                  |
| 31        | 1              | 84034059/0     | Equalizer       | Equalizer       |                  |
| 32        | 2              | 18737852/0     | Lock            | Cap             |                  |
| 33        | 4              | 27047004/0     | Bussning        | Bush            |                  |
| 34        | 1              | 84230405/0     | Right Stub Axle | Right Stub Axle |                  |
| 35        | 1              | 84230407/0     | Left Stub Axle  | Left Stub Axle  |                  |
| 36        | 1              | 12000970/0     | Låsring         | Snap Ring       |                  |
| 37        | 1              | 27787041/0     | Stöd            | Support         |                  |
| 38        | 1              | 12793102/0     | Skruv           | Screw           |                  |
| 39        | 1              | 12155000/0     | Mutter          | Nut             |                  |
| 40        | 1              | 27840051/0     | Stång           | Tie Rod         |                  |
| 41        | 2              | 12604899/0     | Låsbricka       | Crown Fastener  |                  |
| 42        | 1              | 12692695/0     | Skruv           | Screw           |                  |
| 43        | 2              | 12523100/0     | Bricka          | Washer          |                  |
| 44        | 1              | 25160016/0     | Distans         | Spacer          |                  |
| 45        | 1              | 12587100/0     | Bricka          | Washer          |                  |
| 46        | 1              | 12295300/0     | Mutter          | Nut             |                  |
| 51        | 2              | 84680056/1     | Framhjul Kpl    | Front Wheel     |                  |
| 52        | 2              | 84044002/0     | Rimm            | Rimm            |                  |
| 53        | 4              | 27045070/0     | Bussning        | Bush            |                  |
| 54        | 2              | 27590058/0     | Dack            | Shoe            |                  |
| 55        | 2              | 27590056/0     | Innerslang      | Inner Tube      |                  |
| 56        | 2              | 12521390/0     | Bricka          | Washer          |                  |
| 57        | 2              | 12000970/0     | Låsring         | Snap Ring       |                  |

GARDEN COMPACT EV



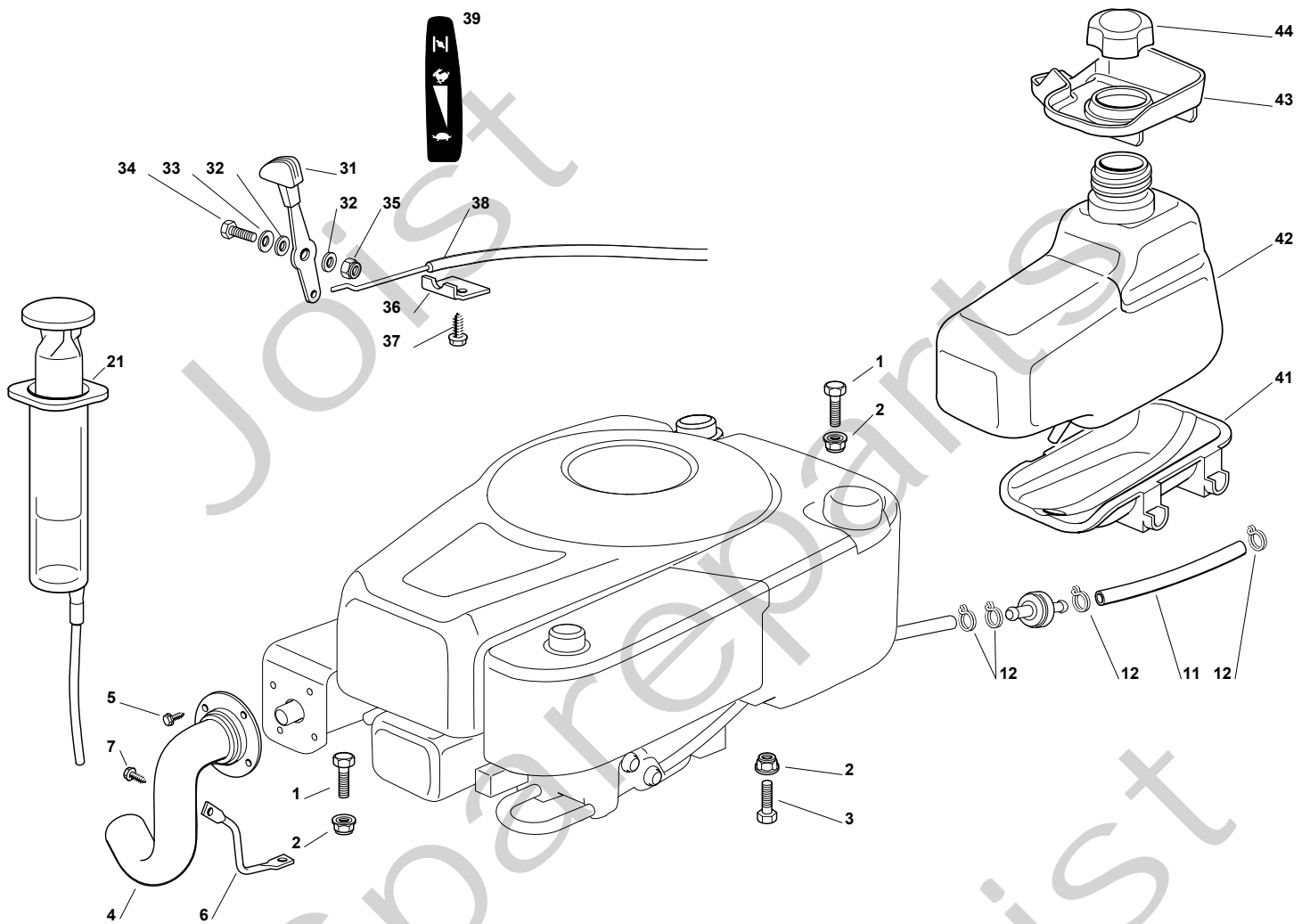




## GARDEN COMPACT EV

| Pos. Fig. | Antal Quantity | Art No Part No | Benämning   | Description | Anmärkning Notes |
|-----------|----------------|----------------|-------------|-------------|------------------|
| 1         | 1              | 27500051/0     | Pedal       | Pedal       |                  |
| 2         | 2              | 27670054/0     | Bricka      | Washer      |                  |
| 3         | 1              | 12521350/0     | Bricka      | Washer      |                  |
| 4         | 1              | 12154210/0     | Mutter      | Nut         |                  |
| 5         | 1              | 84503005/0     | Pedal Upper | Pedal Upper |                  |
| 6         | 2              | 112791200/1    | Skruv       | Screw       |                  |
| 7         | 1              | 25110269/0     | Clamp Cover | Clamp Cover |                  |
| 8         | 1              | 184207107/0    | Kabel       | Cable       |                  |
| 9         | 1              | 27034064/1     | Länk        | Rod         |                  |
| 10        | 1              | 27395050/1     | Knopp       | Knob        |                  |
| 11        | 2              | 25670011/0     | Bricka      | Washer      |                  |
| 12        | 1              | 12154210/0     | Mutter      | Nut         |                  |
| 13        | 1              | 27430564/0     | Fjäder      | Spring      |                  |
| 14        | 2              | 12292102/0     | Mutter      | Nut         |                  |
| 15        | 1              | 27670055/0     | Bricka      | Washer      |                  |
| 16        | 1              | 12523060/0     | Bricka      | Washer      |                  |
| 31        | 1              | 384001027/0    | Axel        | Axle        |                  |
| 32        | 2              | 27546015/1     | Plåt        | Plate       |                  |
| 33        | 4              | 12729600/0     | Skruv       | Screw       |                  |
| 34        | 1              | 84317071/0     | Arm         | Gearshift   |                  |
| 35        | 1              | 27430570/1     | Fjäder      | Spring      |                  |
| 36        | 1              | 12674700/0     | Skruv       | Screw       |                  |
| 37        | 1              | 12154510/0     | Mutter      | Nut         |                  |
| 38        | 1              | 12729600/0     | Skruv       | Screw       |                  |
| 39        | 1              | 25394510/0     | Knopp       | Knob        |                  |
| 40        | 1              | 384783047/0    | Stöd        | Bracket     |                  |
| 41        | 2              | 12818690/0     | Skruv       | Screw       |                  |
| 42        | 2              | 12293201/0     | Mutter      | Nut         |                  |
| 43        | 2              | 27670053/0     | Bricka      | Washer      |                  |
| 44        | 2              | 127207000/0    | Lining      | Lining      |                  |
| 45        | 1              | 27430560/0     | Fjäder      | Spring      |                  |
| 46        | 1              | 12155020/0     | Mutter      | Nut         |                  |
| 48        | 1              | 384002084/0    | Rod         | Rod         |                  |
| 48        | 1              | 384002084/1    | Rod         | Rod         |                  |
| 49        | 1              | 12150000/0     | Mutter      | Nut         |                  |
| 50        | 1              | 12604897/0     | Bricka      | Washer      |                  |
| 51        | 1              | 114362319/0    | Dekal       | Label       |                  |

GARDEN COMPACT EV

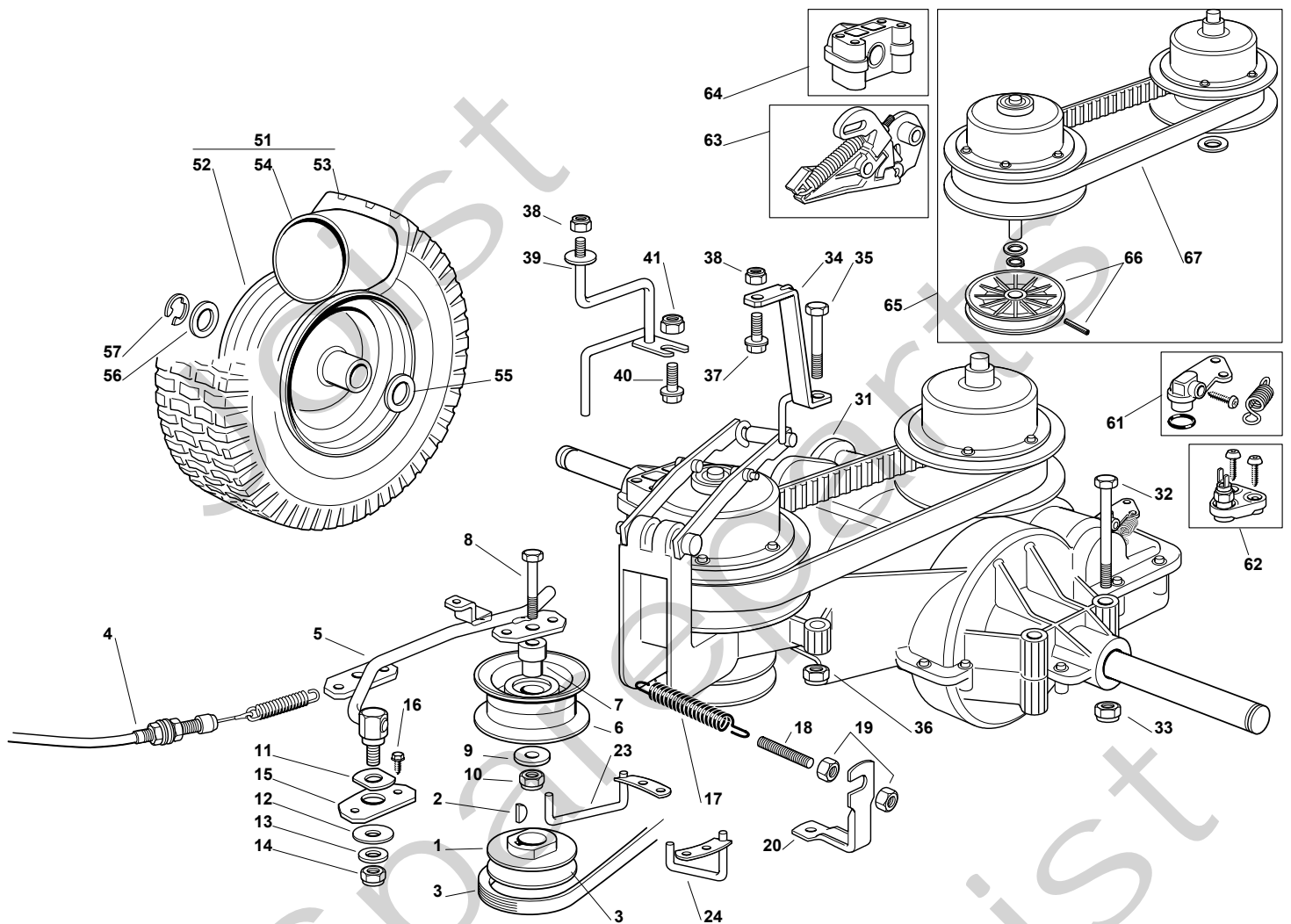




## GARDEN COMPACT EV

| Pos. Fig. | Antal Quantity | Art No Part No | Benämning         | Description       | Anmärkning Notes |
|-----------|----------------|----------------|-------------------|-------------------|------------------|
| 1         | 2              | 12691100/0     | Skruv             | Left Screw        |                  |
| 2         | 3              | 12154210/0     | Mutter            | Nut               |                  |
| 3         | 1              | 12691800/0     | Skruv             | Screw             |                  |
| 4         | 1              | 118738245/0    | Avgasrör          | Exhaust Tube      |                  |
| 5         | 1              | 12735104/0     | Skruv             | Screw             |                  |
| 6         | 1              | 127787077/0    | Stöd              | Bracket           |                  |
| 7         | 1              | 12735110/0     | Skruv             | Screw             |                  |
| 11        | 1              | 25869033/1     | Vevstake          | Connecting Tube   |                  |
| 12        | 2              | 18375051/1     | Slangklämma       | Fair Led          |                  |
| 21        | 1              | 18718000/0     | Manöverdosa       | Syringe           |                  |
| 31        | 1              | 384317094/0    | Accelerator Lever | Accelerator Lever |                  |
| 32        | 2              | 12523040/0     | Bricka            | Washer            |                  |
| 33        | 1              | 12530060/0     | Bricka            | Elastic Washer    |                  |
| 34        | 1              | 12791500/0     | Skruv             | Screw             |                  |
| 35        | 1              | 12154510/0     | Mutter            | Nut               |                  |
| 36        | 1              | 22981467/0     | Plåt              | Plate             |                  |
| 37        | 2              | 12735105/0     | Skruv             | Screw             |                  |
| 38        | 1              | 184000254/0    | Gaswire           | Throttle Cable    |                  |
| 39        | 1              | 114364614/0    | Dekal             | Label             |                  |
| 41        | 1              | 27787057/0     | Stöd              | Support           |                  |
| 42        | 1              | 27733002/1     | Tank              | Tank              |                  |
| 43        | 1              | 27600113/0     | Skydd             | Guard             |                  |
| 44        | 1              | 27790000/1     | Lock              | Cap               |                  |

## GARDEN COMPACT EV

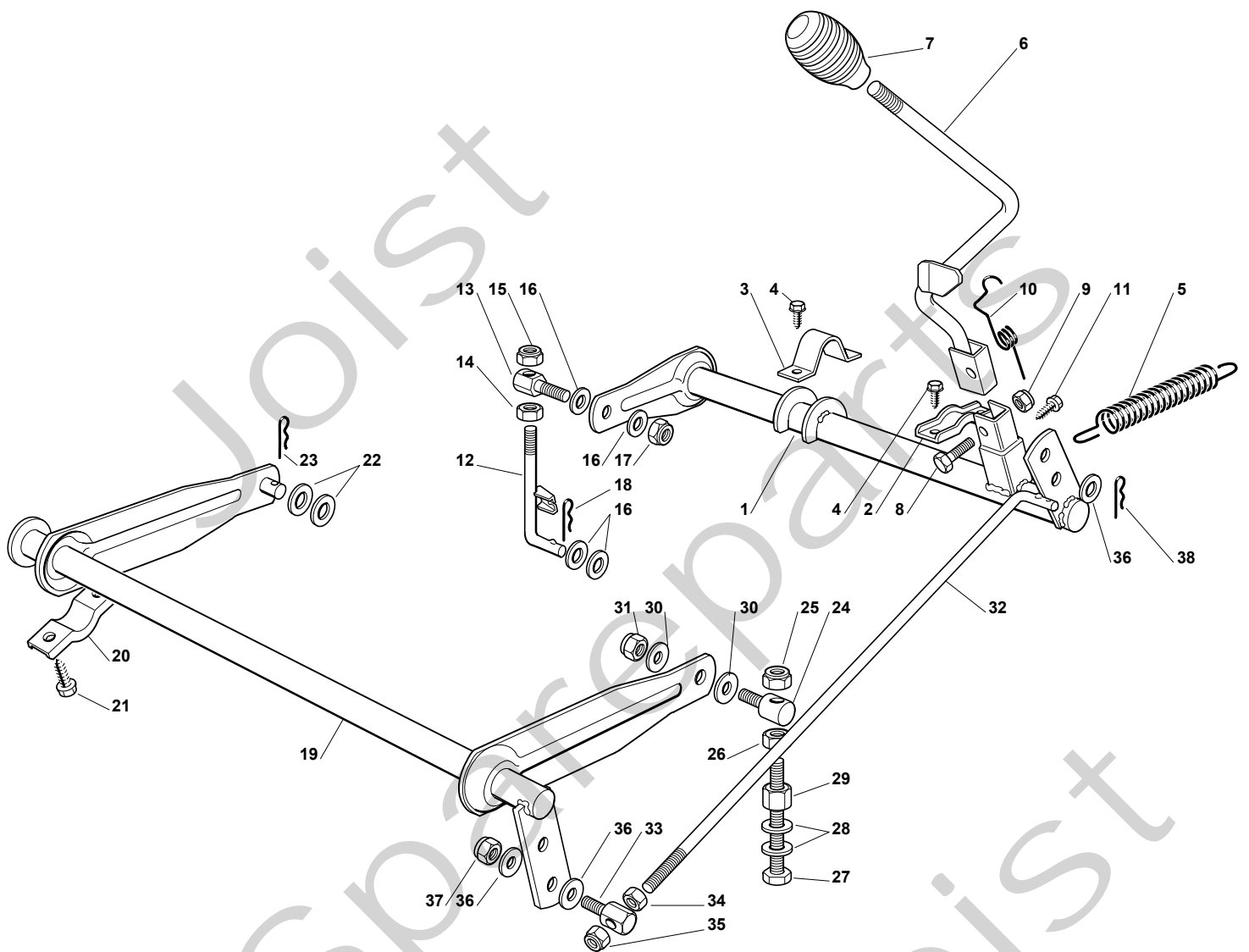




## GARDEN COMPACT EV

| Pos. Fig. | Antal Quantity | Art No Part No | Benämning         | Description                | Anmärkning Notes |
|-----------|----------------|----------------|-------------------|----------------------------|------------------|
| 1         | 1              | 127604013/0    | Remskiva          | Pulley                     |                  |
| 2         | 1              | 12139100/0     | Kil               | Feather, Crankshaft Ø 22.2 |                  |
| 3         | 1              | 135061427/0    | Drivrem           | Belt                       |                  |
| 4         | 1              | 84207103/2     | Kabel             | Cable                      |                  |
| 5         | 1              | 384317091/0    | Spak              | Lever                      |                  |
| 6         | 1              | 27604007/0     | Remskiva          | Pulley                     |                  |
| 7         | 1              | 27047007/0     | Bussning          | Bush                       |                  |
| 8         | 1              | 12691200/0     | Skruv             | Right Screw                |                  |
| 9         | 1              | 12523060/0     | Bricka            | Washer                     |                  |
| 10        | 1              | 12155000/0     | Mutter            | Nut                        |                  |
| 11        | 1              | 27670054/0     | Bricka            | Washer                     |                  |
| 12        | 1              | 119700064/0    | Brytare           | Gearbox Switch             |                  |
| 12        | 1              | 12523070/0     | Bricka            | Washer                     |                  |
| 13        | 1              | 25670011/0     | Bricka            | Washer                     |                  |
| 14        | 1              | 12155000/0     | Mutter            | Nut                        |                  |
| 15        | 1              | 27546029/0     | Plåt              | Plate                      |                  |
| 16        | 2              | 12735121/0     | Skruv             | Screw                      |                  |
| 17        | 1              | 25430219/0     | Fjäder            | Spring                     |                  |
| 18        | 1              | 25840005/0     | Stång             | Tie Rod                    |                  |
| 19        | 2              | 12293200/0     | Mutter            | Nut                        |                  |
| 20        | 1              | 327773081/1    | Angle Bracket     | Angle Bracket              |                  |
| 23        | 1              | 382270305/0    | Plåt              | Plate                      |                  |
| 24        | 1              | 382270307/0    | Plåt              | Plate                      |                  |
| 31        | 1              | 118400973/0    | Transmission Unit | Transmission Unit          |                  |
| 31        | 1              | 118400973/1    | Transmission Unit | Transmission Unit          |                  |
| 32        | 4              | 12692050/0     | Skruv             | Screw                      |                  |
| 33        | 4              | 12154210/0     | Mutter            | Nut                        |                  |
| 34        | 1              | 384783045/0    | Stöd              | Support                    |                  |
| 35        | 1              | 12691115/0     | Skruv             | Left Screw                 |                  |
| 36        | 1              | 12154210/0     | Mutter            | Nut                        |                  |
| 37        | 1              | 12793102/0     | Skruv             | Screw                      |                  |
| 38        | 2              | 12154210/0     | Mutter            | Nut                        |                  |
| 39        | 1              | 384783043/0    | Stöd              | Support                    |                  |
| 40        | 1              | 12793301/0     | Skruv             | Screw                      |                  |
| 41        | 1              | 12154210/0     | Mutter            | Nut                        |                  |
| 51        | 2              | 84680057/1     | Stödhjul          | Rear Wheel                 |                  |
| 52        | 2              | 84044005/0     | Rimm              | Rimm                       |                  |
| 53        | 2              | 27590059/0     | Dack              | Shoe                       |                  |
| 54        | 2              | 27590057/0     | Innerslang        | Inner Tube                 |                  |
| 55        | 2              | 12521410/0     | Bricka            | Washer                     |                  |
| 56        | 2              | 25670005/1     | Bricka            | Washer                     |                  |
| 57        | 2              | 12001010/0     | Låsring           | Benzing                    |                  |
| 61        | 1              | 119700059/0    | Brake Kit         | Brake Kit                  |                  |
| 62        | 1              | 119700058/0    | Brytare           | Gearbox Switch             |                  |
| 63        | 1              | 119700063/0    | Control Unit      | Control Unit               |                  |
| 63        | 1              | 119700065/0    | Control Unit      | Control Unit               |                  |
| 64        | 1              | 119700061/0    | Bussning          | Bush                       |                  |
| 65        | 1              | 119700057/0    | Variator Kit      | Variator Kit               |                  |
| 66        | 1              | 119700060/0    | Remskiva          | Pulley                     |                  |
| 66        | 1              | 119700066/0    | Remskiva          | Pulley                     |                  |
| 67        | 1              | 119700062/0    | Drivrem           | Belt                       |                  |

GARDEN COMPACT EV

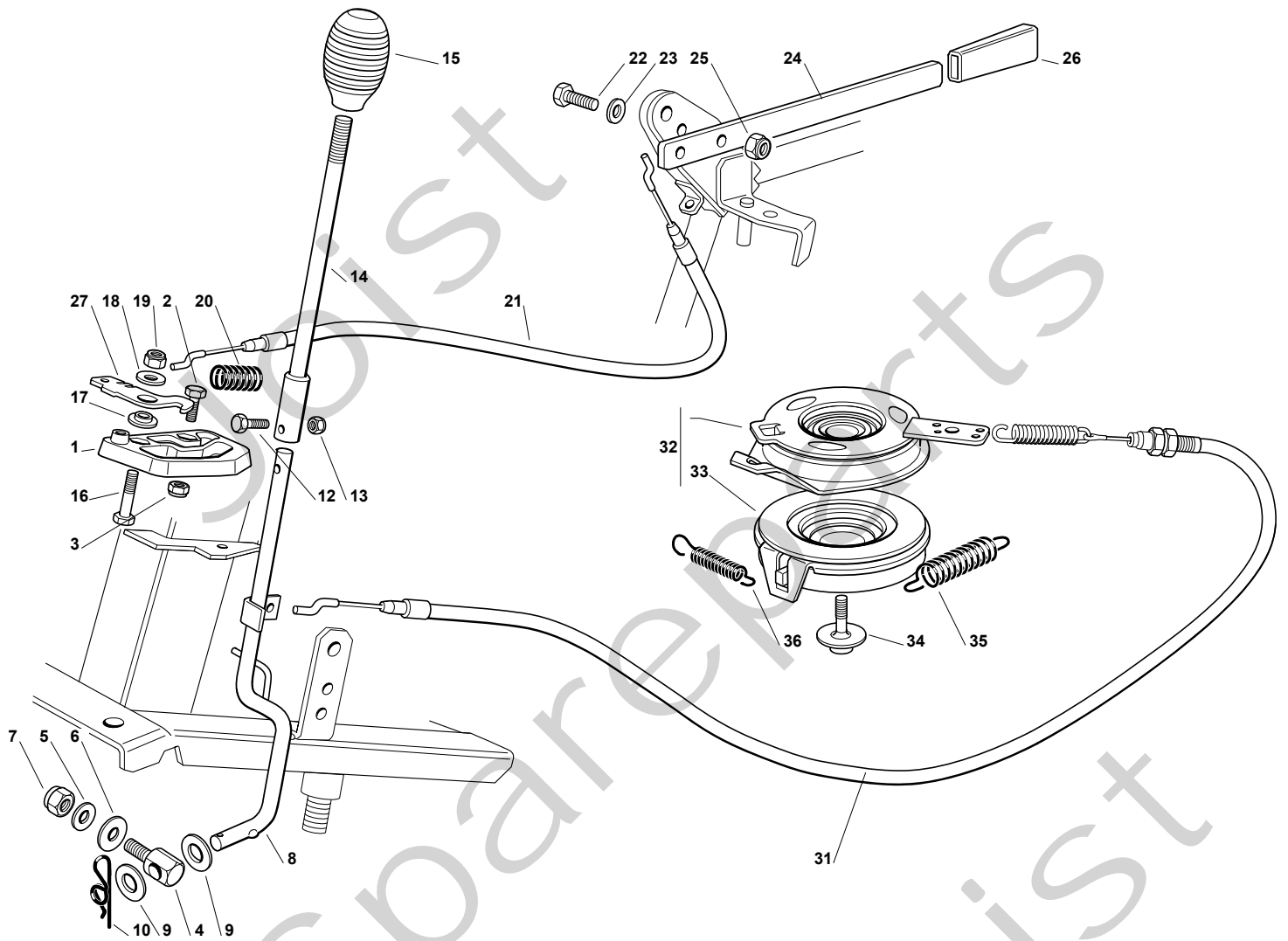




## GARDEN COMPACT EV

| Pos. Fig. | Antal Quantity | Art No Part No | Benämning | Description | Anmärkning Notes |
|-----------|----------------|----------------|-----------|-------------|------------------|
| 1         | 1              | 84001017/0     | Axel      | Axle        |                  |
| 2         | 1              | 27546015/1     | Plåt      | Plate       |                  |
| 3         | 1              | 25547037/1     | Plåt      | Plate       |                  |
| 4         | 4              | 12729600/0     | Skruv     | Screw       |                  |
| 5         | 1              | 27430568/0     | Fjäder    | Spring      |                  |
| 6         | 1              | 84317075/0     | Arm       | Gearshift   |                  |
| 7         | 1              | 25394510/0     | Knopp     | Knob        |                  |
| 8         | 1              | 12674700/0     | Skruv     | Screw       |                  |
| 9         | 1              | 12154510/0     | Mutter    | Nut         |                  |
| 10        | 1              | 27430574/0     | Fjäder    | Spring      |                  |
| 11        | 1              | 12729600/0     | Skruv     | Screw       |                  |
| 12        | 1              | 327034087/0    | Stång     | Rod         |                  |
| 12        | 1              | 327034087/1    | Stång     | Rod         |                  |
| 13        | 1              | 25510056/0     | Stift     | Pin         |                  |
| 14        | 1              | 12295200/0     | Mutter    | Nut         |                  |
| 15        | 1              | 12156602/0     | Mutter    | Nut         |                  |
| 16        | 4              | 25670008/1     | Bricka    | Washer      |                  |
| 17        | 1              | 12156602/0     | Mutter    | Nut         |                  |
| 18        | 1              | 24487997/0     | Bricka    | Washer      |                  |
| 19        | 1              | 84001019/0     | Axel      | Axle        |                  |
| 20        | 2              | 27546015/1     | Plåt      | Plate       |                  |
| 21        | 4              | 12731350/0     | Skruv     | Screw       |                  |
| 22        | 2              | 25670008/1     | Bricka    | Washer      |                  |
| 23        | 1              | 24487997/0     | Bricka    | Washer      |                  |
| 24        | 1              | 125510007/2    | Stift     | Pin         |                  |
| 24        | 1              | 25510007/1     | Stift     | Pin         |                  |
| 25        | 1              | 12156602/0     | Mutter    | Nut         |                  |
| 26        | 1              | 12295200/0     | Mutter    | Nut         |                  |
| 27        | 1              | 12794970/0     | Skruv     | Screw       |                  |
| 28        | 2              | 12521360/0     | Bricka    | Washer      |                  |
| 29        | 1              | 12154250/0     | Mutter    | Nut         |                  |
| 30        | 2              | 25670008/1     | Bricka    | Washer      |                  |
| 31        | 1              | 12156602/0     | Mutter    | Nut         |                  |
| 32        | 1              | 27034065/0     | Länk      | Rod         |                  |
| 33        | 1              | 25510040/1     | Stift     | Pin         |                  |
| 34        | 1              | 12293200/0     | Mutter    | Nut         |                  |
| 35        | 1              | 12155000/0     | Mutter    | Nut         |                  |
| 36        | 3              | 25670011/0     | Bricka    | Washer      |                  |
| 37        | 1              | 12155000/0     | Mutter    | Nut         |                  |
| 38        | 1              | 24487997/0     | Bricka    | Washer      |                  |

GARDEN COMPACT EV



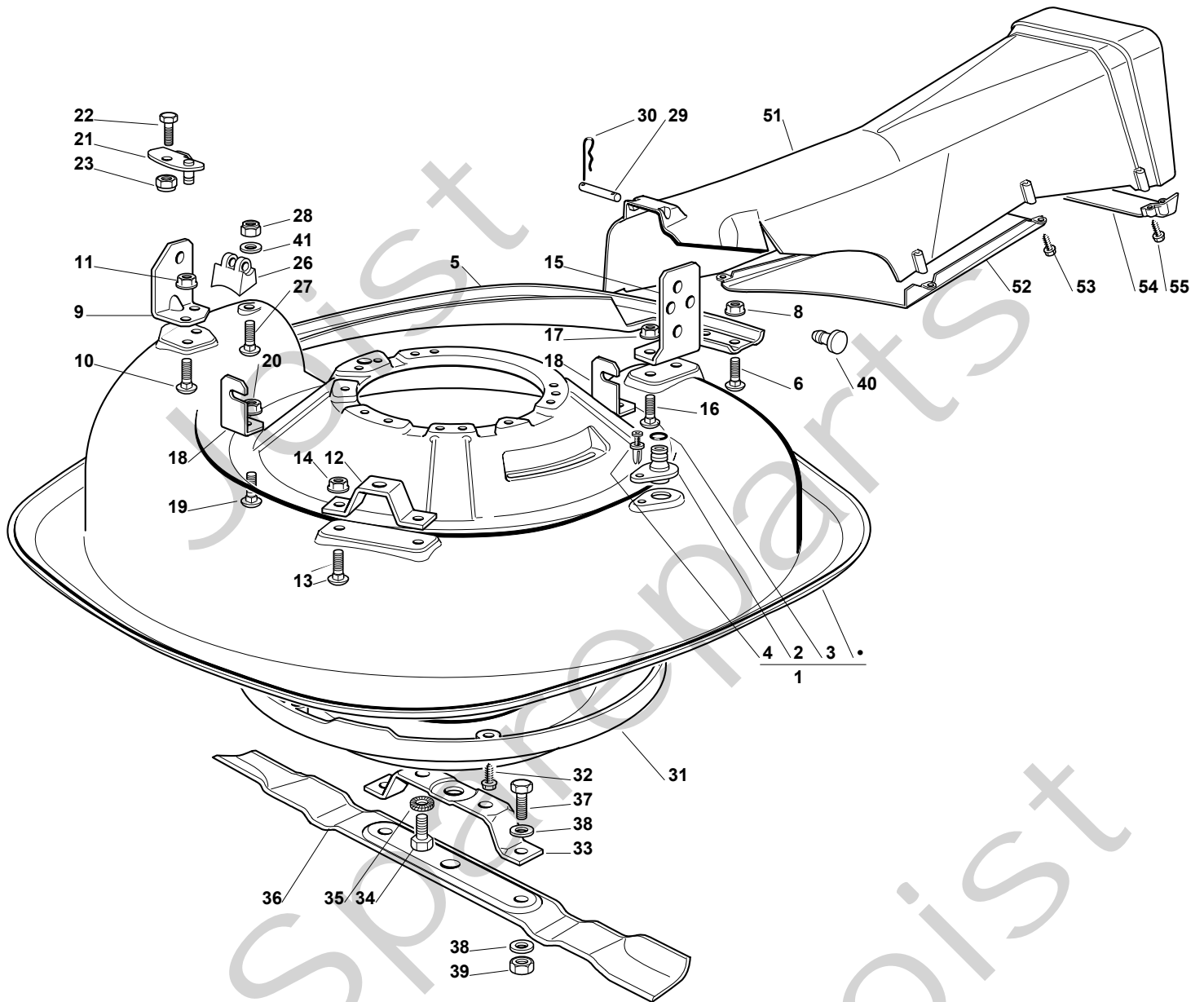




## GARDEN COMPACT EV

| Pos. Fig. | Antal Quantity | Art No Part No | Benämning         | Description             | Anmärkning Notes |
|-----------|----------------|----------------|-------------------|-------------------------|------------------|
| 1         | 1              | 27487003/0     | Glidblock         | Shoe                    |                  |
| 2         | 2              | 112791200/1    | Skruv             | Screw                   |                  |
| 3         | 2              | 12154510/0     | Mutter            | Nut                     |                  |
| 4         | 1              | 27510107/0     | Stift             | Pin                     |                  |
| 5         | 1              | 25670011/0     | Bricka            | Washer                  |                  |
| 6         | 1              | 22672152/0     | Bricka            | Washer                  |                  |
| 7         | 1              | 12155000/0     | Mutter            | Nut                     |                  |
| 8         | 1              | 84317073/1     | Arm               | Lever                   |                  |
| 9         | 2              | 21660100/0     | Bricka            | Washer                  |                  |
| 10        | 1              | 24487998/0     | Låsnål            | Cotter Pin              |                  |
| 12        | 1              | 12789020/0     | Skruv             | Screw                   |                  |
| 13        | 1              | 12154330/0     | Mutter            | Nut                     |                  |
| 14        | 1              | 84317079/0     | Arm               | Gearshift               |                  |
| 15        | 1              | 25394510/0     | Knopp             | Knob                    |                  |
| 16        | 1              | 12792099/0     | Skruv             | Screw                   |                  |
| 17        | 1              | 325160039/0    | Distans           | Spacer                  |                  |
| 18        | 1              | 12523040/0     | Bricka            | Washer                  |                  |
| 19        | 1              | 12154510/0     | Mutter            | Nut                     |                  |
| 20        | 1              | 25430206/1     | Fjäder            | Spring                  |                  |
| 21        | 1              | 184000255/0    | Kabel             | Cable                   |                  |
| 22        | 1              | 125510080/1    | Stift             | Pin                     |                  |
| 22        | 1              | 25510080/0     | Stift             | Pin                     |                  |
| 23        | 1              | 12521350/0     | Bricka            | Washer                  |                  |
| 24        | 1              | 327315131/0    | Spak              | Lever                   |                  |
| 25        | 1              | 12154510/0     | Mutter            | Nut                     |                  |
| 26        | 1              | 22397000/0     |                   | Knob                    |                  |
| 27        | 1              | 327253000/1    | Hook              | Hook                    |                  |
| 31        | 1              | 84207104/1     | Kabel             | Wire                    |                  |
| 32        | 1              | 18399065/1     | Koppling kpl      | Mechanical Clutch Ass.Y |                  |
| 33        | 1              | 18399066/1     | Mechanical Clutch | Clutch, Lower Part      |                  |
| 34        | 1              | 12735460/0     | Skruv             | Screw                   |                  |
| 35        | 1              | 27430579/0     | Fjäder            | Spring                  |                  |
| 36        | 1              | 22450110/0     | Fjäder            | Spring                  |                  |

GARDEN COMPACT EV

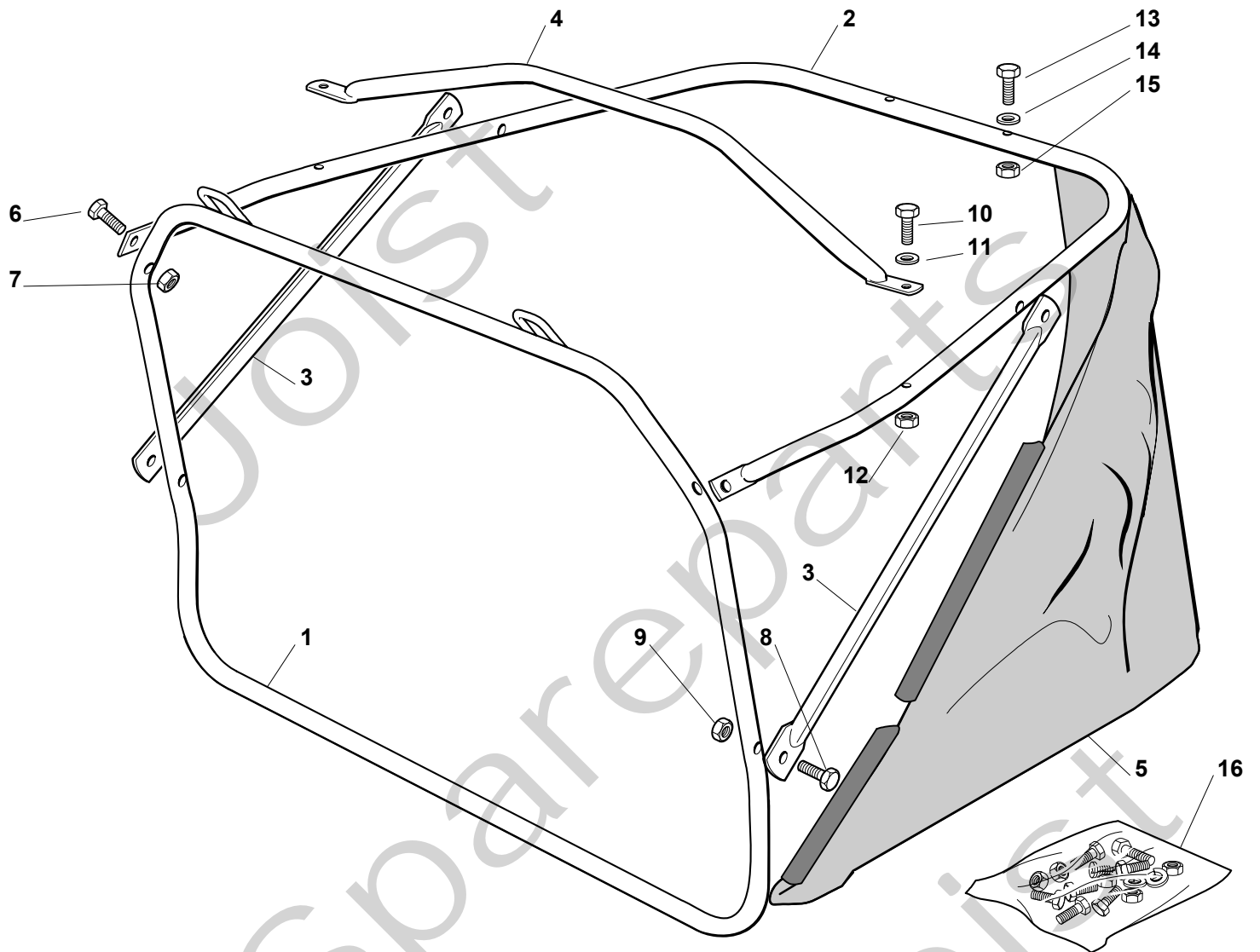




## GARDEN COMPACT EV

| Pos. Fig. | Antal Quantity | Art No Part No | Benämning             | Description           | Anmärkning Notes |
|-----------|----------------|----------------|-----------------------|-----------------------|------------------|
| 1         | 1              | 384564095/1    | Klippaggregat         | Cutting Plate, Black  |                  |
| 2         | 1              | 25033060/0     | Water Hose Connection | Water Hose Connection |                  |
| 3         | 1              | 19035000/0     | O-ring                | Or Ring               |                  |
| 4         | 1              | 12500030/0     | Rivet                 | Rivet                 |                  |
| 5         | 1              | 84650103/0     | Reduktion             | Stiffening            |                  |
| 6         | 4              | 12815200/0     | Skruv                 | Screw                 |                  |
| 8         | 4              | 12292102/0     | Mutter                | Nut                   |                  |
| 9         | 1              | 27772119/0     | Fäste                 | Clamp                 |                  |
| 10        | 2              | 12818690/0     | Skruv                 | Screw                 |                  |
| 11        | 2              | 12293201/0     | Mutter                | Nut                   |                  |
| 12        | 1              | 27772133/0     | Fäste                 | Clamp                 |                  |
| 13        | 2              | 12818690/0     | Skruv                 | Screw                 |                  |
| 14        | 2              | 12293201/0     | Mutter                | Nut                   |                  |
| 15        | 1              | 327772127/2    | Fäste                 | Clamp                 |                  |
| 16        | 2              | 12818690/0     | Skruv                 | Screw                 |                  |
| 16        | 2              | 12818700/0     | Skruv                 | Screw                 |                  |
| 17        | 2              | 12293201/0     | Mutter                | Nut                   |                  |
| 18        | 2              | 27753071/0     | Fästvinkel            | Angle Bracket         |                  |
| 19        | 2              | 12818690/0     | Skruv                 | Screw                 |                  |
| 20        | 2              | 12293201/0     | Mutter                | Nut                   |                  |
| 21        | 1              | 84545063/0     | Plåt                  | Plate                 |                  |
| 22        | 1              | 12792611/0     | Skruv                 | Screw                 |                  |
| 23        | 1              | 12155000/0     | Mutter                | Nut                   |                  |
| 26        | 1              | 27230200/2     | Hake                  | Hook                  |                  |
| 27        | 1              | 12815210/0     | Skruv                 | Screw                 |                  |
| 28        | 1              | 12154510/0     | Mutter                | Nut                   |                  |
| 29        | 1              | 27510097/1     | Stift                 | Pin                   |                  |
| 30        | 2              | 24487997/0     | Bricka                | Washer                |                  |
| 31        | 1              | 27600122/0     | Skydd                 | Guard                 |                  |
| 32        | 5              | 12728530/0     | Skruv                 | Screw                 |                  |
| 33        | 1              | 27787045/1     | Support               | Bracket               |                  |
| 34        | 2              | 12794110/0     | Skruv                 | Screw                 |                  |
| 35        | 2              | 12540070/0     | Bricka                | Washer                |                  |
| 36        | 1              | 84109504/0     | Kniv                  | Blade                 |                  |
| 37        | 2              | 12793102/0     | Skruv                 | Screw                 |                  |
| 38        | 4              | 12523060/0     | Bricka                | Washer                |                  |
| 39        | 2              | 12155010/0     | Mutter                | Nut                   |                  |
| 40        | 1              | 27275000/0     | Hylsa                 | Grommet               |                  |
| 41        | 1              | 12521330/0     | Bricka                | Washer                |                  |
| 51        | 1              | 27107502/0     | Inmatningstratt       | Conveyor              |                  |
| 52        | 1              | 327140056/0    | Deflektor             | Deflector             |                  |
| 53        | 5              | 12735402/0     | Skruv                 | Screw                 |                  |
| 54        | 1              | 27650120/0     | Reduktion             | Stiffening            |                  |
| 55        | 2              | 12735410/0     | Skruv                 | Screw                 |                  |

GARDEN COMPACT EV

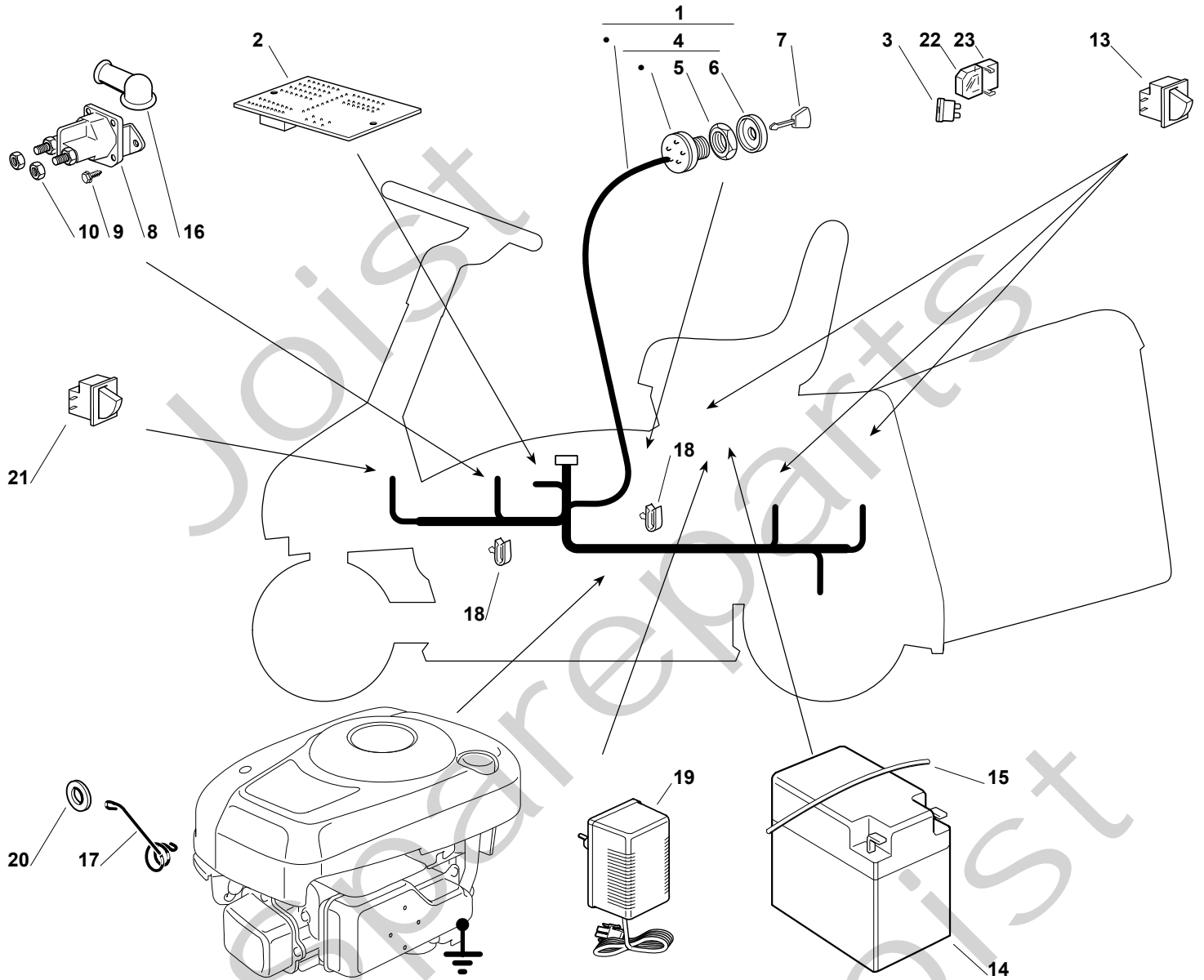




## GARDEN COMPACT EV

| Pos. Fig. | Antal Quantity | Art No Part No | Benämning  | Description          | Anmärkning Notes |
|-----------|----------------|----------------|------------|----------------------|------------------|
| 1         | 1              | 84801121/0     | Chassi     | Front Frame          |                  |
| 2         | 1              | 84801119/0     | Chassi     | Upper Frame          |                  |
| 3         | 2              | 27650117/0     | Reduktion  | Stiffening           |                  |
| 4         | 1              | 84394051/0     | Handtag    | Handle               |                  |
| 5         | 1              | 184106068/0    | Uppsamlare | Grasscatcher         |                  |
| 6         | 2              | 12789020/0     | Skruv      | Screw                |                  |
| 7         | 2              | 12154330/0     | Mutter     | Nut                  |                  |
| 8         | 4              | 12789020/0     | Skruv      | Screw                |                  |
| 9         | 4              | 12154330/0     | Mutter     | Nut                  |                  |
| 10        | 2              | 12789210/0     | Skruv      | Screw                |                  |
| 11        | 2              | 12521331/0     | Bricka     | Washer               |                  |
| 12        | 2              | 12154330/0     | Mutter     | Nut                  |                  |
| 13        | 2              | 12674530/0     | Skruv      | Screw                |                  |
| 14        | 2              | 12521331/0     | Bricka     | Washer               |                  |
| 15        | 2              | 12154330/0     | Mutter     | Nut                  |                  |
| 16        | 1              | 84180186/0     | Skruvsats  | Screws Outfit (6÷15) |                  |

## GARDEN COMPACT EV

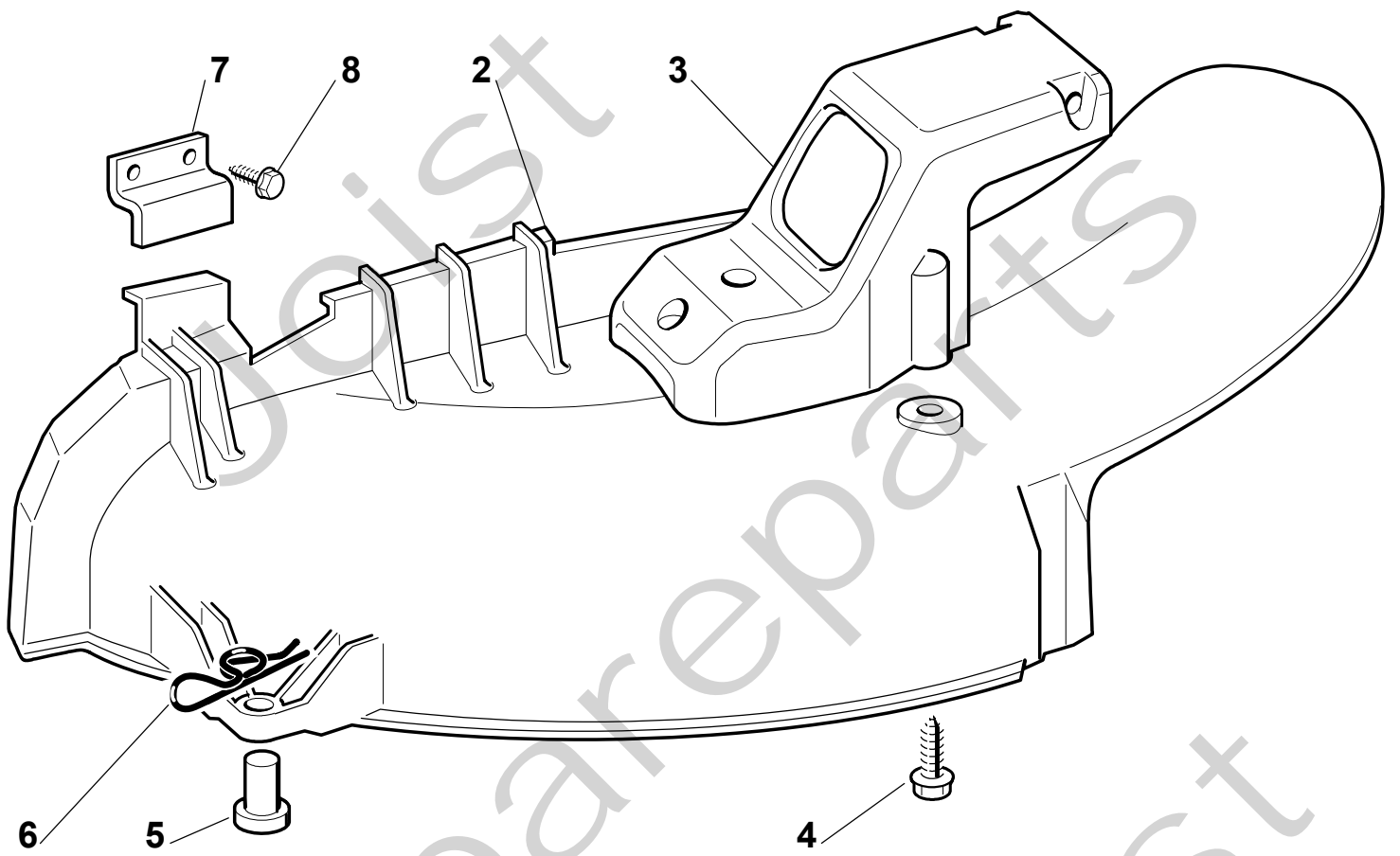




## GARDEN COMPACT EV

| Pos. Fig. | Antal Quantity | Art No Part No | Benämning      | Description        | Anmärkning Notes |
|-----------|----------------|----------------|----------------|--------------------|------------------|
| 1         | 1              | 184040129/0    | Kabel          | Cables             |                  |
| 3         | 1              | 33340040/0     | Säkring        | Fuse 10A           |                  |
| 4         | 1              | 18450065/1     | Brytare        | Starting Switch    |                  |
| 5         | 1              | 18400861/0     | Kondensator    | Ringnut            |                  |
| 6         | 1              | 18565351/0     | Hylsa          | Ringnut Protection |                  |
| 7         | 1              | 18210016/1     | Kabel          | Starting Key       |                  |
| 8         | 1              | 18736111/0     | Starter Relay  | Starter Relay      |                  |
| 9         | 2              | 12735110/0     | Skruv          | Screw              |                  |
| 10        | 2              | 12360352/0     | Mutter         | Nut                |                  |
| 13        | 3              | 119410615/0    | Brytare        | Micro              |                  |
| 14        | 1              | 18120004/0     | Batteri        | Battery            |                  |
| 15        | 1              | 27430572/0     | Fjäder         | Spring             |                  |
| 16        | 1              | 18564861/1     | Tätningshylsa  | Protection         |                  |
| 17        | 1              | 27430557/0     | Fjäder         | Spring             |                  |
| 18        | 5              | 33320506/0     | Kabelhållare   | Fairled            |                  |
| 19        | 1              | 82180051/0     | Batteriladdare | Battery Charger    |                  |
| 20        | 1              | 12523020/0     | Bricka         | Washer             |                  |
| 21        | 1              | 119410612/1    | Brytare        | Microswitch        |                  |
| 22        | 1              | 33215000/0     | Kåpa           | Cover              |                  |
| 23        | 1              | 33500007/0     | Säkring        | Fuse Carrier       |                  |

**GARDEN COMPACT EV**

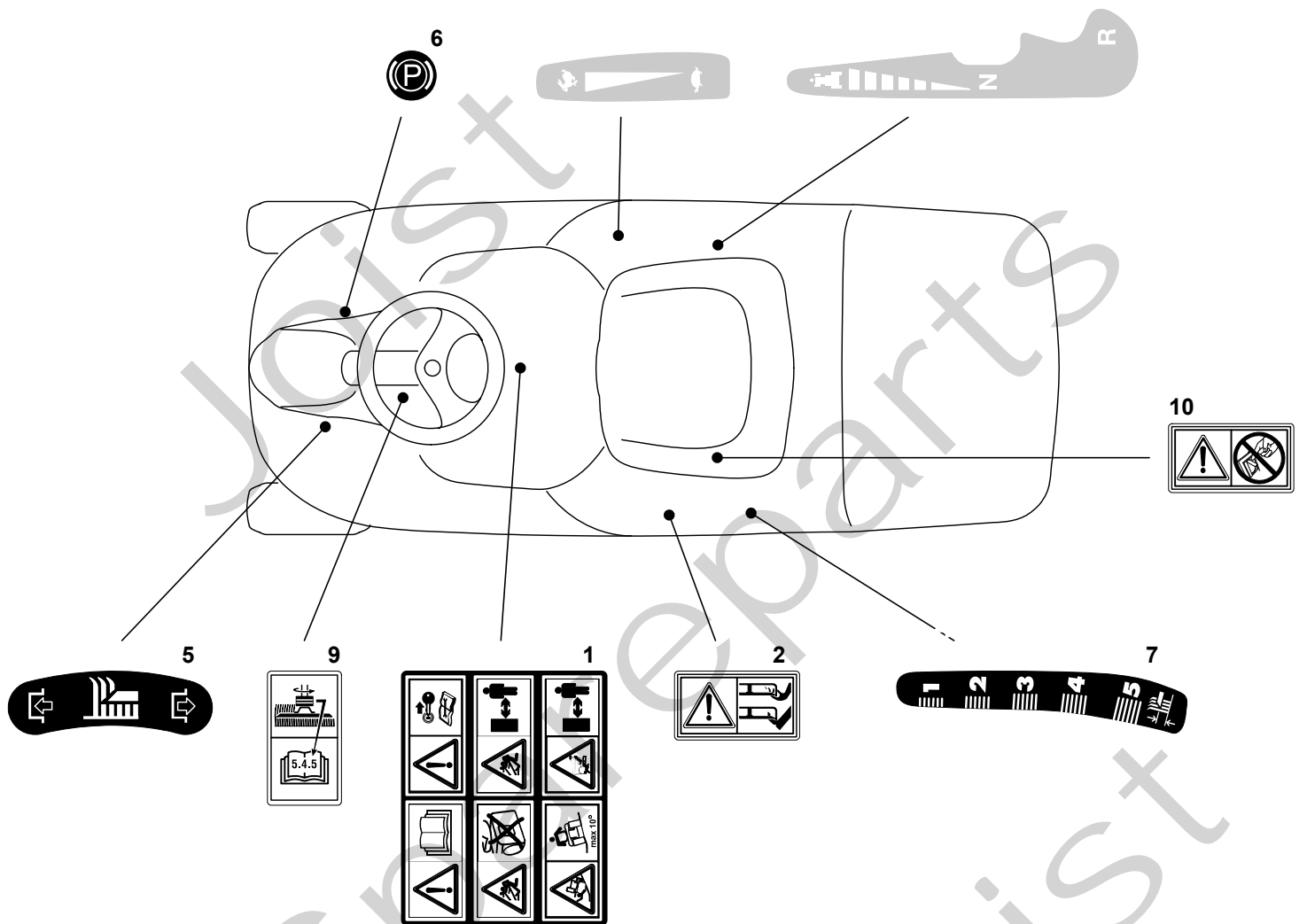




**GARDEN COMPACT EV**

| Pos. Fig. | Antal Quantity | Art No Part No | Benämning | Description | Anmärkning Notes |
|-----------|----------------|----------------|-----------|-------------|------------------|
| 2         | 1              | 27140052/0     | Deflektor | Deflector   |                  |
| 3         | 1              | 27230201/0     | Vridpunkt | Fulcrum     |                  |
| 4         | 3              | 12735410/0     | Skruv     | Screw       |                  |
| 5         | 1              | 25510022/0     | Stift     | Pin         |                  |
| 6         | 1              | 24487998/0     | Låsnål    | Cotter Pin  |                  |
| 7         | 1              | 27772139/0     | Fäste     | Clamp       |                  |
| 8         | 2              | 12735110/0     | Skruv     | Screw       |                  |

GARDEN COMPACT EV

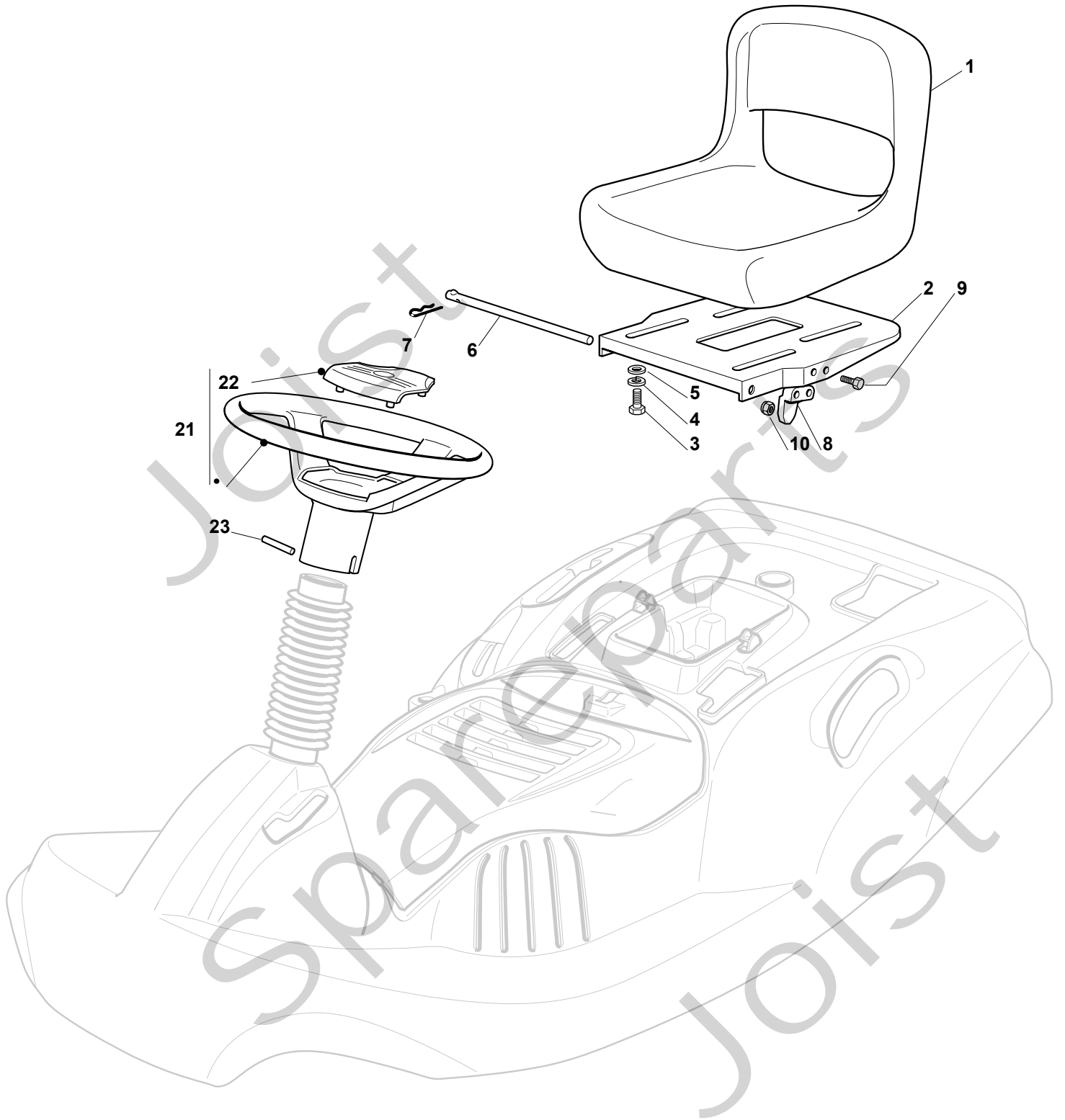




## GARDEN COMPACT EV

| Pos. Fig. | Antal Quantity | Art No Part No | Benämning | Description | Anmärkning Notes |
|-----------|----------------|----------------|-----------|-------------|------------------|
| 1         | 1              | 114357428/1    | Dekal     | Label       |                  |
| 1         | 1              | 14357428/0     | Dekal     | Label       |                  |
| 2         | 1              | 114356699/1    | Dekal     | Label       |                  |
| 2         | 1              | 14356699/0     | Dekal     | Label       |                  |
| 5         | 1              | 14358418/0     | Dekal     | Label       |                  |
| 6         | 1              | 14358460/0     | Dekal     | Label       |                  |
| 7         | 1              | 14358417/0     | Dekal     | Label       |                  |
| 9         | 1              | 114358654/1    | Dekal     | Label       |                  |
| 10        | 1              | 14360118/0     | Dekal     | Label       |                  |

GARDEN COMPACT EV





## GARDEN COMPACT EV

| Pos. Fig. | Antal Quantity | Art No Part No | Benämning | Description    | Anmärkning Notes |
|-----------|----------------|----------------|-----------|----------------|------------------|
| 1         | 1              | 27722480/0     | Seat      | Seat           |                  |
| 2         | 1              | 27546039/1     | Support   | Support        |                  |
| 3         | 4              | 12793101/0     | Skruv     | Screw          |                  |
| 4         | 4              | 12583500/0     | Bricka    | Grower         |                  |
| 5         | 4              | 12523060/0     | Bricka    | Washer         |                  |
| 6         | 1              | 27864052/0     | Stift     | Pin            |                  |
| 7         | 1              | 24487997/0     | Bricka    | Washer         |                  |
| 8         | 1              | 27063021/1     | Fäste     | Cam            |                  |
| 9         | 2              | 12789100/0     | Skruv     | Screw          |                  |
| 10        | 2              | 12154330/0     | Mutter    | Nut            |                  |
| 21        | 1              | 25961218/0     | Rött      | Steering Wheel |                  |
| 22        | 1              | 25580501/0     | Lock      | Cap            |                  |
| 23        | 1              | 12620305/0     | Stift     | Pin            |                  |