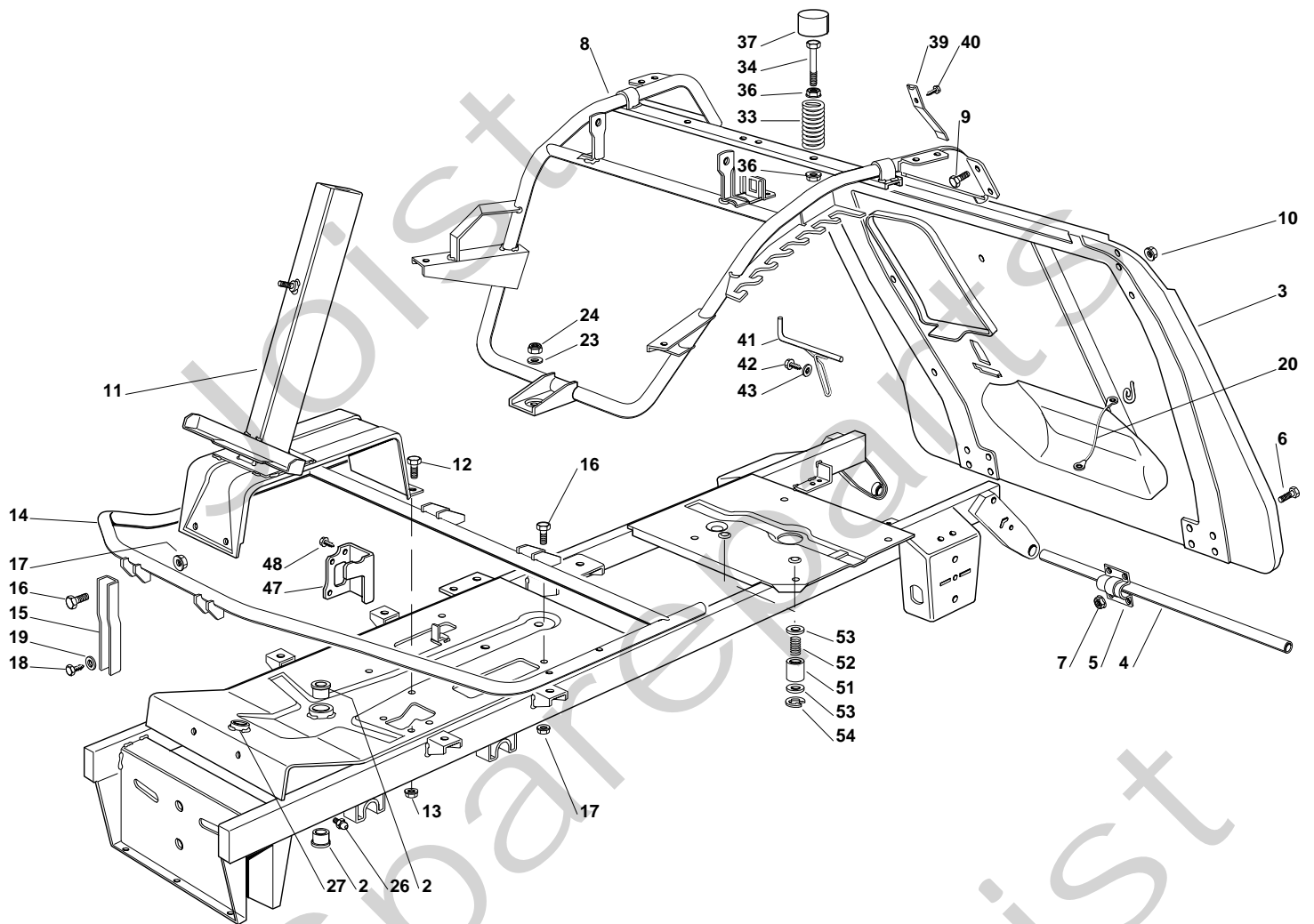


Genuine Spare Parts



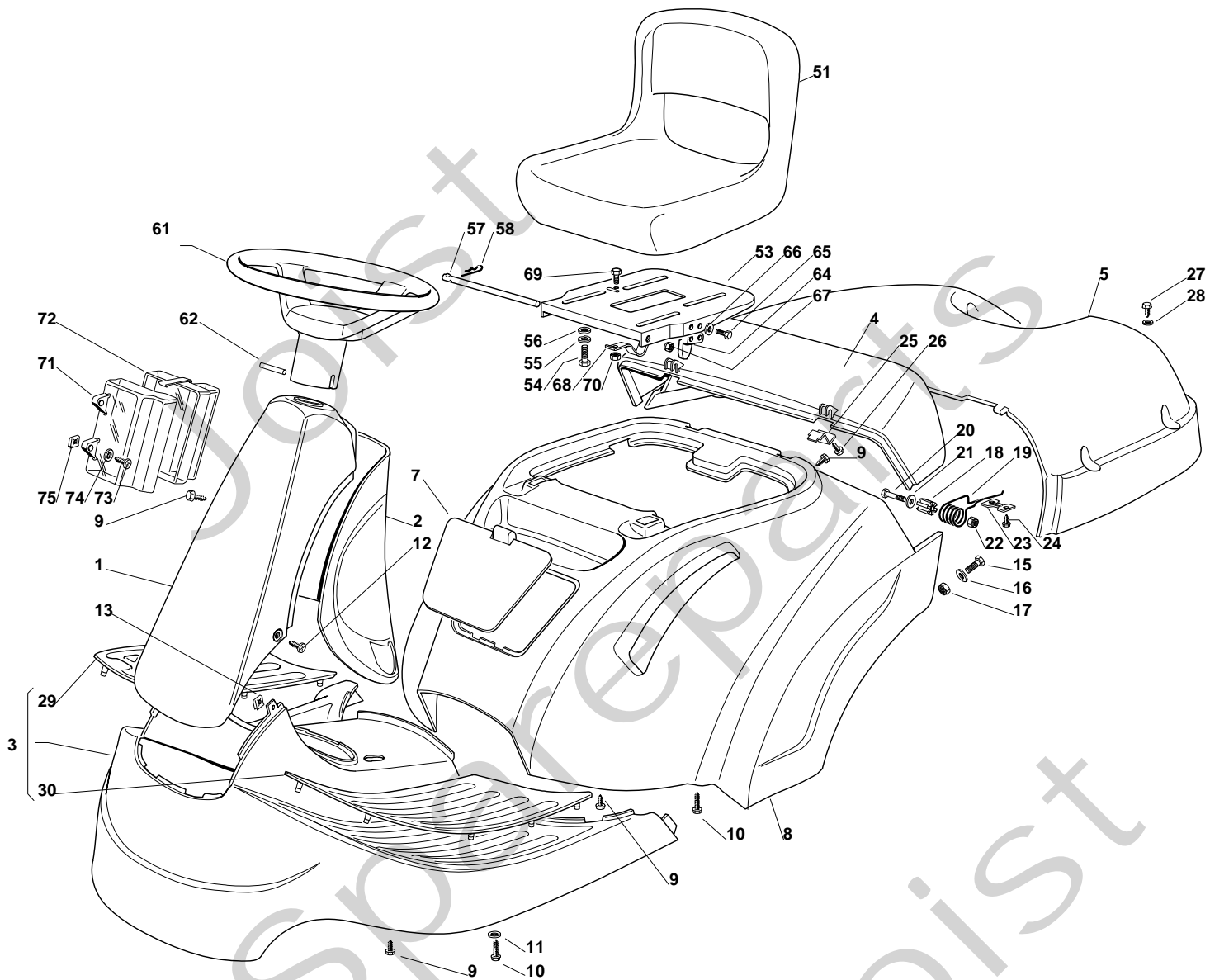
Garden Combi HST 14





GARDEN COMBI HST - Model Year 2010

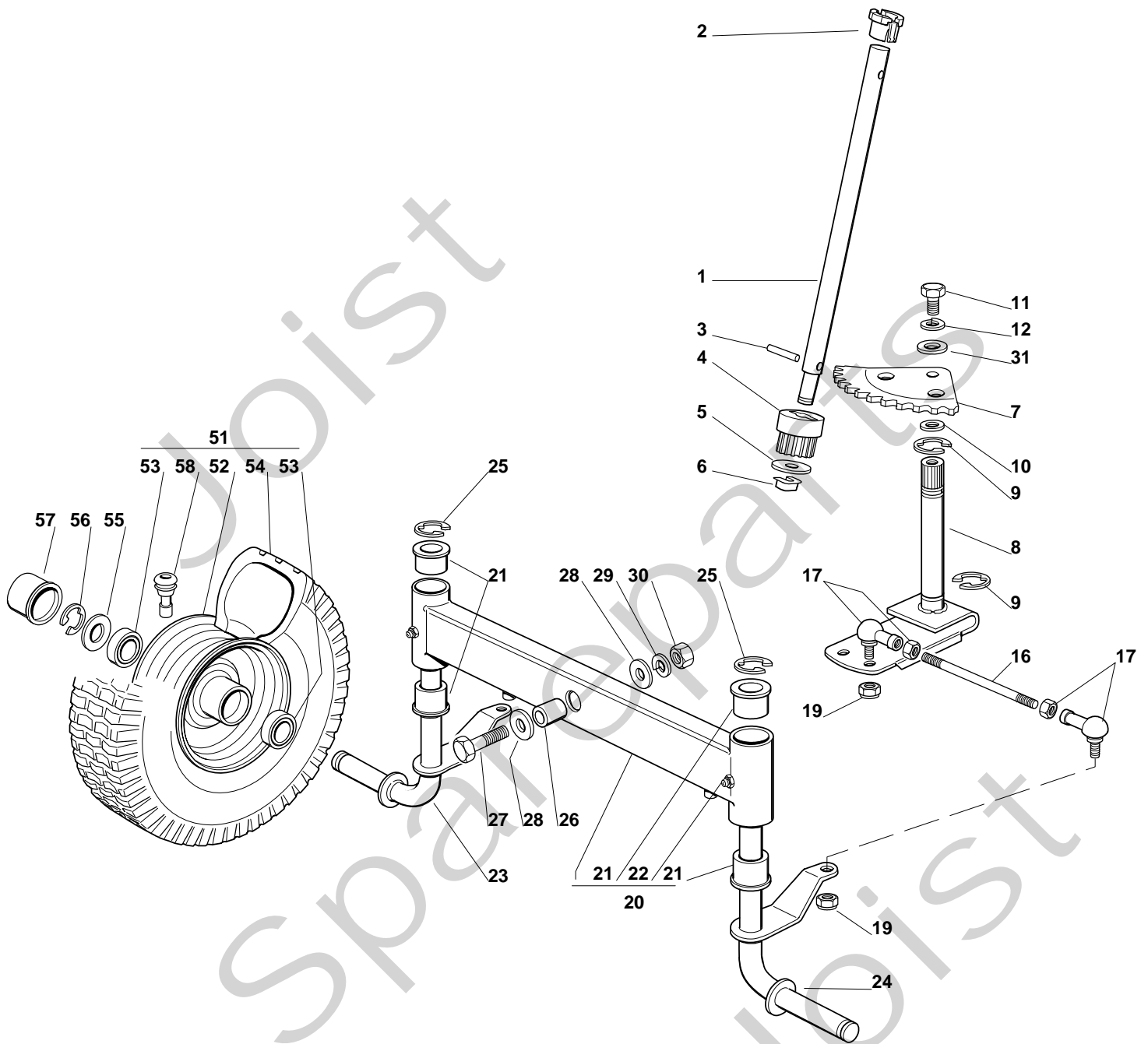
Pos. Fig.	Antal Quantity	Art No Part No	Benämning	Description	Anmärkning Notes
2	2	25034002/1	Bussning	Brass	
3	1	84545057/3	Mothill	Plate	
4	1	27037000/1	Sprint	Pin	
5	2	25547012/1	Mothill	Plate	
6	8	112791200/1	Skruv	Screw	
7	8	12292102/0	Mutter	Nut	
8	1	84801127/0	Chassi	Chassis	
9	4	12792611/0	Skruv	Screw	
10	4	12293201/0	Mutter	Nut	
11	1	84783027/0	Support	Support	
12	4	12792611/0	Skruv	Screw	
13	4	12293201/0	Mutter	Nut	
14	1	384801107/2			
15	2	27787025/0	Stöd	Support	
16	4	12792611/0	Skruv	Screw	
17	4	12293201/0	Mutter	Nut	
18	2	12734995/0	Skruv	Screw	
19	2	12521331/0	Bricka	Washer	
20	1	84040300/0	Cord	Cord	
23	1	12523060/0	Bricka	Washer	
24	1	12155000/0	Mutter	Nut	
26	1	12379511/0	Smörjnippl	Grease Dispenser	
27	1	25034001/0	Bussning	Bush	
33	2	27430575/0	Fjäder	Spring	
34	2	27943050/0	Skruv	Screw	
36	4	12293201/0	Mutter	Nut	
37	2	25122000/2	Styrning	Hood	
39	1	27430554/0	Fjäder	Spring	
40	1	12735110/0	Skruv	Screw	
41	1	27294001/0	Guide	Guide	
42	1	12735120/0	Skruv	Screw	
43	1	12523040/0	Bricka	Washer	
47	1	27772095/0	Klämma	Clamp	
48	2	12735106/0	Skruv	Screw	
51	2	27047012/0	Bussning	Bush	
52	2	27430577/0	Fjäder	Spring	
53	4	25670008/1	Bricka	Washer	
54	2	12000955/0	Låsring	Circlip	





GARDEN COMBI HST - Model Year 2010

Pos. Fig.	Antal Quantity	Art No Part No	Benämning	Description	Anmärkning Notes
1	1	84598086/0	Frontkåpa	Front Cover, Grey	
2	1	27600117/0	Skydd	Rear Cover, Yellow	
3	1	84110131/0	Handtagslock	Footboard Cover, Yellow	
4	1	27110360/0	Kåpa	Grass-Catcher Cover, Fixed, Yellow	
5	1	27110361/0	Kåpa	Grass-Catcher Cover Mobile, Yellow	
7	1	27109516/0	Kåpa	Front Cover, Yellow	
8	1	84110136/1	Kåpa	Wheels Cover, Yellow	
9	10	12735402/0	Skruv	Screw	
10	8	12735410/0	Skruv	Screw	
11	4	12523040/0	Bricka	Washer	
12	2	12727790/0	Skruv	Screw	
13	2	12437503/0	Mutter	Nut	
15	2	112791200/1	Skruv	Screw	
16	2	12523040/0	Bricka	Washer	
17	2	12154510/0	Mutter	Nut	
18	2	27047003/0	Bussning	Bush	
19	2	27430551/1	Fjäder	Spring	
20	2	12691200/0	Skruv	Screw	
21	2	12523070/0	Bricka	Washer	
22	2	12155000/0	Mutter	Nut	
23	2	27546001/0	Plåt	Plate	
24	4	12735402/0	Skruv	Screw	
25	2	27546003/0	Plåt	Plate	
26	2	12735402/0	Skruv	Screw	
27	4	12729601/1	Skruv	Screw	
28	4	12521331/0	Bricka	Washer	
29	1	27110304/0	Right Footboard Cover	Right Footboard Cover	
30	1	27110305/0	Left Footboard Cover	Left Footboard Cover	
41	1	84000250/1	Gasreglage	Accelerator	
42	2	125943007/0	Skruv	Screw	
44	1	25394501/0	Handtag	Handle	
45	1	12726388/0	Skruv	Screw	
46	1	12290800/0	Mutter	Nut	
51	1	25722456/0	Seat	Seat	
53	1	25547033/1	Mothåll	Plate	
54	4	12793101/0	Skruv	Screw	
55	4	12583500/0	Låsbricka	Grower	
56	4	12523060/0	Bricka	Washer	
57	1	27864052/0	Sprint	Pin	
58	1	24487997/0	Låsnål	Cotter Pin	
61	1	25961209/0	Ratt	Steering Wheel	
62	1	12620299/0	Stift	Pin	
64	1	27063021/1	Fäste	Cam	
65	2	12789100/0	Skruv	Screw	
66	2	12523020/0	Bricka	Washer	
67	2	12154330/0	Mutter	Nut	
68	1	25430223/2	Fjäder	Spring	
69	1	12789000/0	Skruv	Screw	
70	1	12154330/0	Mutter	Nut	
71	1	25600020/0	Lock	Upper Guard	
72	1	25600021/1	Skydd	Lower Guard	
73	2	12728460/0	Skruv	Screw	
74	2	12521320/0	Bricka	Washer	
75	2	12437502/0	Mutter	Nut	

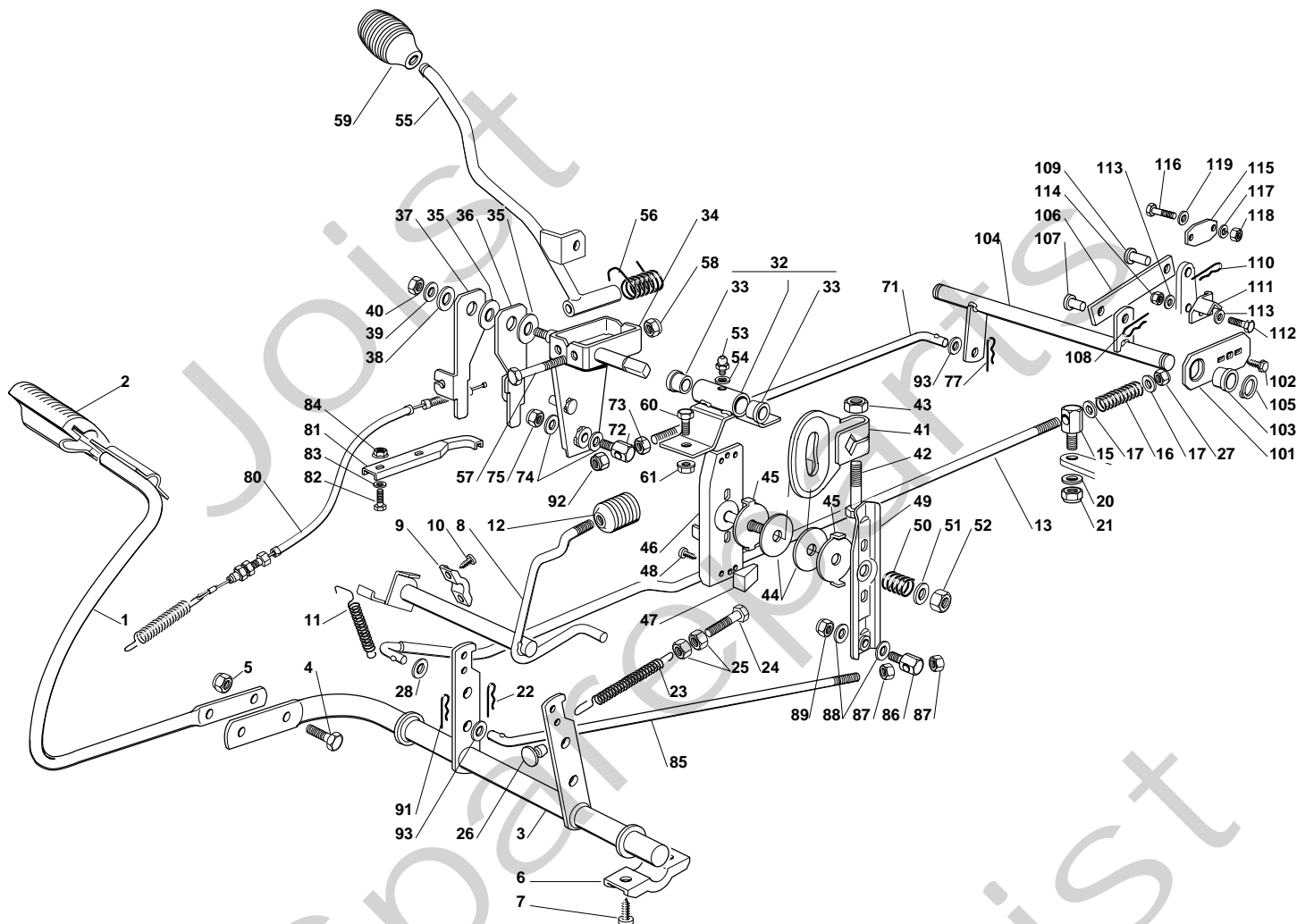




GARDEN COMBI HST - Model Year 2010

Pos. Fig.	Antal Quantity	Art No Part No	Benämning	Description	Anmärkning Notes
1	1	27520050/0	Steering Column	Steering Column	
2	1	25038004/0	Bussning	Bush	
3	1	12622650/0	Stift	Pin	
4	1	27570050/0	Drev	Pinion	
5	1	12521370/0	Bricka	Washer	
6	1	12436030/0	Platta	Plate	
7	1	84735551/0	Sector	Steering Shaft	
8	1	84000501/0	Axel	Shaft	
9	2	12001000/0	Låsring	Snap Ring	
10	2	12520031/0	Bricka	Washer	
11	1	12793102/0	Skruv	Screw	
12	1	12583500/0	Låsbricka	Grower	
16	2	27840050/0	Gasreglagelänk	Tie Rod	
17	4	22746600/0	Ledklåpa, vä+hö	Joint	
19	4	12156602/0	Mutter	Nut	
20	1	84034057/0	Equalizer	Equalizer	
21	4	25034002/1	Bussning	Brass	
22	2	12379511/0	Smörjnippel	Grease Dispenser	
23	1	84230401/0	Right Stub Axle	Right Stub Axle	
24	1	84230403/0	Left Stub Axle	Left Stub Axle	
25	2	12001000/0	Låsring	Snap Ring	
26	1	25160016/0	Distans	Spacer	
27	1	12692695/0	Skruv	Screw	
28	2	12523100/0	Bricka	Washer	
29	1	12587100/0	Grower	Grower	
30	1	12295300/0	Mutter	Nut	
31	1	12521350/0	Bricka	Washer	
51	2	84680055/1	Framhjul Kpl	Front Wheel Deli Tire	
52	2	84044000/0	Rimm	Rimm	
53	4	25122200/2	Lager	Bearing	
54	2	27590052/0	Dack	Shoe Deli Tire	
55	2	25670005/1	Bricka	Washer	
56	2	12001000/0	Låsring	Snap Ring	
57	2	22110230/0	Lock	Cap	
58	2	25950000/0	Ventil	Valve	

GARDEN COMBI HST - Model Year 2010





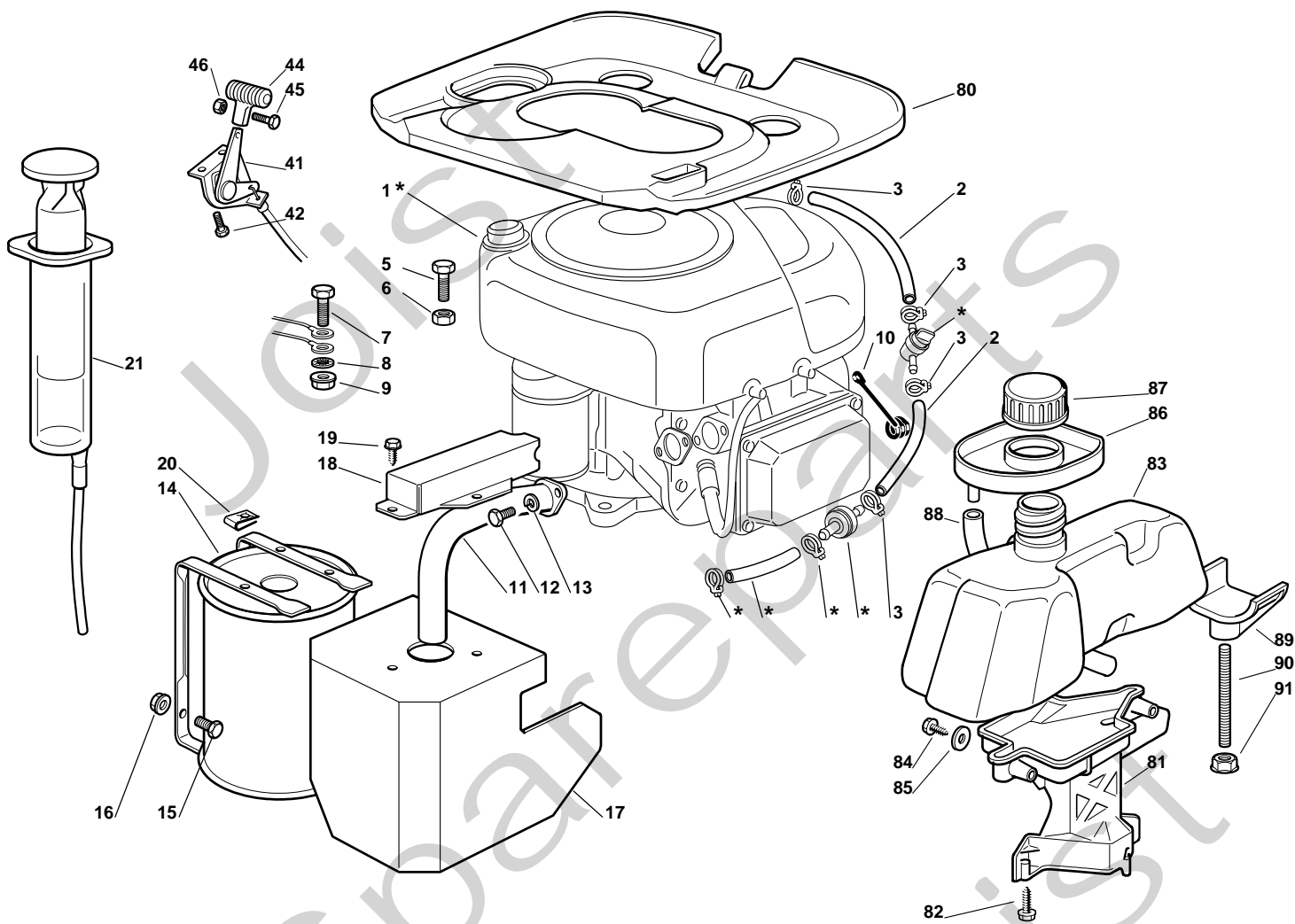
GARDEN COMBI HST - Model Year 2010

Pos. Fig.	Antal Quantity	Art No Part No	Benämning	Description	Anmärkning Notes
1	1	84503001/0	Pedal	Pedal	
2	1	25110267/0	Clamp Cover	Clamp Cover	
3	1	84001015/1	Axel	Axle	
4	2	12793301/0	Skruv	Screw	
5	2	12155000/0	Mutter	Nut	
6	2	27546015/1	Plåt	Plate	
7	4	12731350/0	Skruv	Screw	
8	1	84001011/2	Axel	Axle	
9	2	25547049/0	Bygel	Plate	
10	4	12731601/0	Skruv	Screw	
11	1	27430552/0	Fjäder	Spring	
12	1	27395050/1	Knopp	Knob	
13	1	27034070/0	Länk	Rod	
15	1	25510067/1	Sprint	Pin	
16	1	25430236/0	Fjäder	Spring	
17	2	12521360/0	Bricka	Washer	
20	1	12523050/0	Bricka	Washer	
21	1	12155000/0	Mutter	Nut	
22	1	24487997/0	Låsnål	Cotter Pin	
23	1	25430210/0	Fjäder	Spring	
24	1	22943005/0	Skruv	Screw	
25	2	12293200/0	Mutter	Nut	
26	1	27275000/0	Hylsa	Grommet	
27	1	12156602/0	Mutter	Nut	
28	1	25670011/0	Bricka	Washer	
32	1	84773568/0	Fästbygel	Bracket With Bussh	
33	2	27045080/0	Bussning	Bushing	
34	1	84773561/0	Arm	Lever	
35	2	22672151/0	Bricka	Washer	
36	1	27772101/0	Klämma	Clamp	
37	1	27772103/0	Klämma	Clamp	
38	1	22672152/0	Bricka	Washer	
39	1	12523060/0	Bricka	Washer	
40	1	12155010/0	Mutter	Nut	
41	1	27734055/0	Sector	Sector	
42	1	12794900/0	Skruv	Screw	
43	1	12155020/0	Mutter	Nut	
44	2	27158000/0	Platta	Plate	
45	2	27670053/0	Bricka	Washer	
46	1	84773565/0	Klämma	Clamp	
47	2	27063020/0	Fäste	Cam	
48	2	12735110/0	Skruv	Screw	
49	1	84773563/0	Arm	Lever	
50	1	27430560/0	Fjäder	Spring	
51	1	25670008/1	Bricka	Washer	
52	1	12155020/0	Mutter	Nut	
53	1	12379511/0	Smörjnippl	Grease Dispenser	
54	1	12521330/0	Bricka	Washer	
55	1	84317051/2	Arm	Gearshift	
56	1	25430226/0	Fjäder	Spring	
57	1	12692050/0	Skruv	Screw	
58	1	12155000/0	Mutter	Nut	
59	1	82394508/0	Knopp	Knob	
60	2	12793102/0	Skruv	Screw	
61	2	12293201/0	Mutter	Nut	
71	1	27034071/0	Länk	Rod	
72	1	25510040/1	Sprint	Pin	
73	1	12293200/0	Mutter	Nut	
74	2	25670011/0	Bricka	Washer	



GARDEN COMBI HST - Model Year 2010

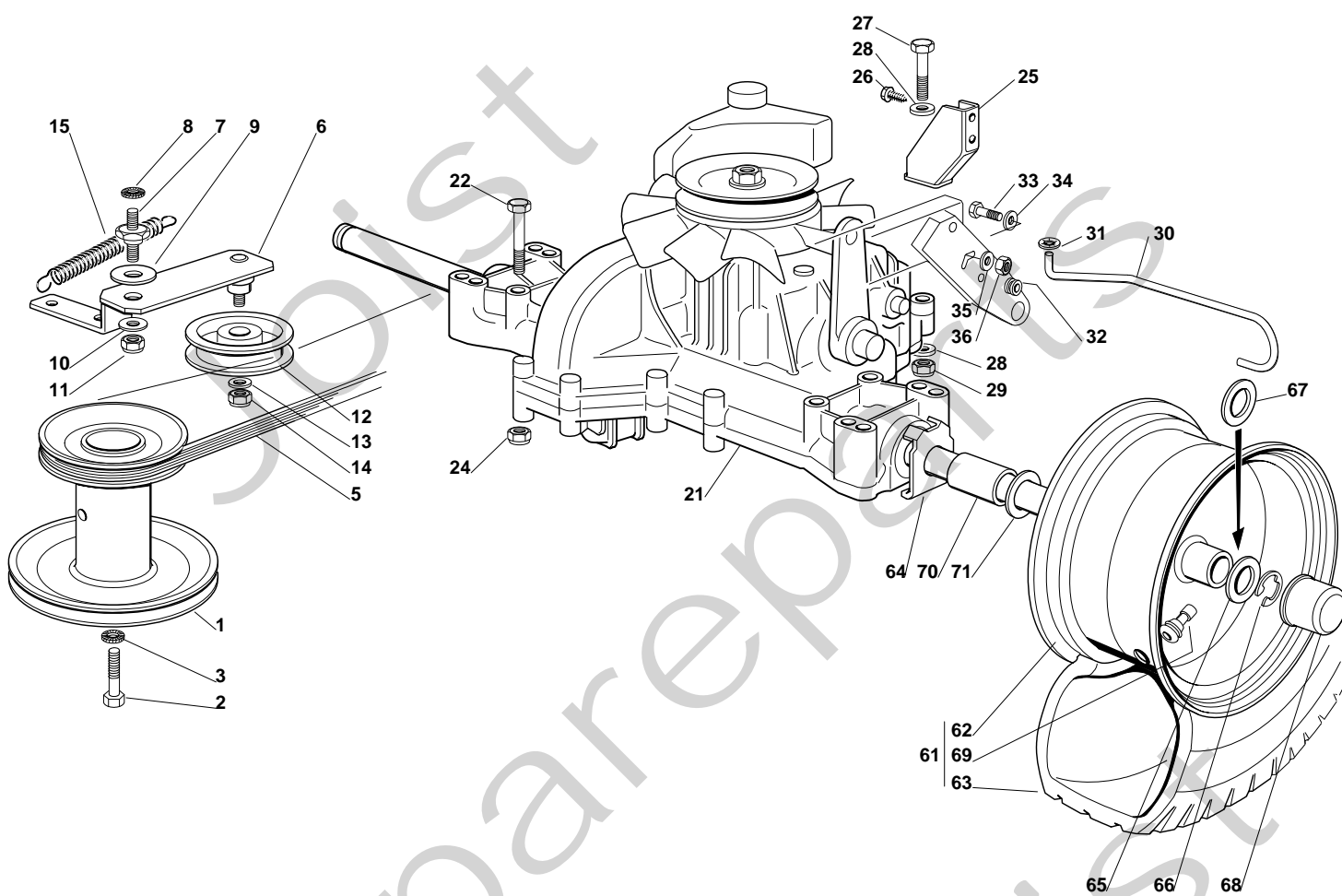
Pos. Fig.	Antal Quantity	Art No Part No	Benämning	Description	Anmärkning Notes
75	1	12155010/0	Mutter	Nut	
77	1	24487997/0	Låsnål	Cotter Pin	
80	1	84207101/1	Kabel	Wire	
81	1	27772105/0	Klämma	Clamp	
82	2	12791400/0	Skruv	Screw	
83	2	12521330/0	Bricka	Washer	
84	2	12292102/0	Mutter	Nut	
85	1	27034074/0	Länk	Rod	
86	1	25510040/1	Sprint	Pin	
87	2	12293200/0	Mutter	Nut	
88	2	25670011/0	Bricka	Washer	
89	1	12155010/0	Mutter	Nut	
91	1	24487997/0	Låsnål	Cotter Pin	
92	1	12155000/0	Mutter	Nut	
93	2	25670011/0	Bricka	Washer	
101	2	27546047/0	Plåt	Plate	
102	2	12735121/0	Skruv	Screw	
103	2	25040614/0	Bussning	Bushing	
104	1	84001023/0	Axel	Axle	
105	2	12608900/0	Seegerring	Seeger	
106	1	27034073/0	Länk	Rod	
107	1	27510111/0	Sprint	Pin	
108	1	24487997/0	Låsnål	Cotter Pin	
109	1	27510110/0	Sprint	Pin	
110	1	24487997/0	Låsnål	Cotter Pin	
111	1	27063022/0	Fäste	Cam	
112	1	12791400/0	Skruv	Screw	
113	2	12521330/0	Bricka	Washer	
114	1	12154510/0	Mutter	Nut	
115	1	27546019/0	Plåt	Plate (Hydro)	
116	2	12735602/0	Skruv	Screw (Hydro)	
117	2	12581100/0	Bricka	Washer (Hydro)	
118	2	12290791/0	Mutter	Nut	
119	2	12540020/0	Bricka	Washer	





GARDEN COMBI HST - Model Year 2010

Pos. Fig.	Antal Quantity	Art No Part No	Benämning	Description	Anmärkning Notes
1	1	-	Neutral Switch (Mech.)	Neutral Switch (Mech.)	
2	2	25869035/1	Kabelhållare	Fair Led	
3	4	18375051/1	Slangklämma	Fair Led	
5	3	12691100/0	Skruv	Screw	
6	3	12154210/0	Mutter	Nut	
7	1	12691115/0	Skruv	Screw	
8	1	12540260/0	Bricka	Grower	
9	1	12154210/0	Mutter	Nut	
10	1	25430239/1	Fjäder	Spring	
11	1	18738225/0	Rörförbindning	Exhaust Connection	
12	2	12737450/0	Skruv	Screw	
13	2	12583500/0	Låsbricka	Grower	
14	1	82750006/1	Ljuddämpare	Muffler	
15	2	12793102/0	Skruv	Screw	
16	2	12154210/0	Mutter	Nut	
17	1	84598081/0	Ljuddämparskydd	Muffler Protection	
18	1	27600137/0	Skydd	Protection	
19	3	12729601/1	Skruv	Screw	
20	3	12437504/0	Platta	Plate	
21	1	18718000/0	Oljepump	Syringe	
41	1	84000250/1	Gasreglage	Accelerator	
42	2	125943012/0	Skruv	Screw	
44	1	25394501/0	Handtag	Handle	
45	1	12726388/0	Skruv	Screw	
46	1	12290800/0	Mutter	Nut	
80	1	27110306/2	Kåpa	Engine Cover	
81	1	27787062/0	Stöd	Support	
82	3	12735410/0	Skruv	Screw	
83	1	27733003/1	Tank	Tank	
84	2	12735410/0	Skruv	Screw	
85	2	12523040/0	Bricka	Washer	
86	1	27600061/2	Skydd	Guard	
87	1	25795000/1	Lock	Cap	
88	1	25869014/0	Rör	Tube	
89	1	27787063/0	Stöd	Support	
90	1	27510118/0	Sprint	Pin	
91	2	12293201/0	Mutter	Nut	
-	1	*	Motor	Engine	





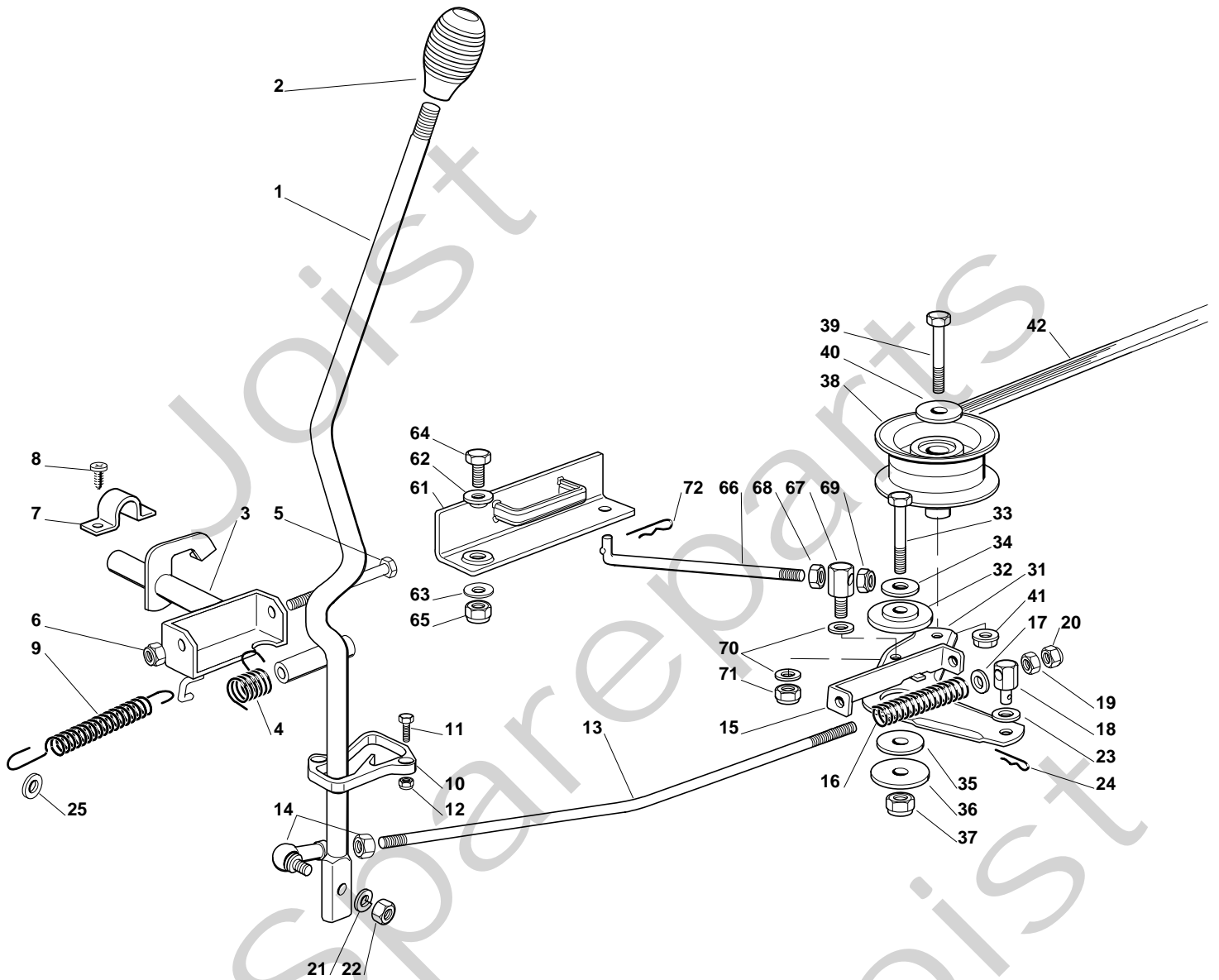
GARDEN COMBI HST - Model Year 2010

Pos. Fig.	Antal Quantity	Art No Part No	Benämning	Description	Anmärkning Notes
1	1	27604005/0	Remskiva	Pulley	
2	1	12737310/0	Skruv	Screw	
3	1	12543000/0	Bricka	Washer	
5	1	35061404/0	Drivrem	Belt	
6	1	84317081/0	Arm	Lever	
7	1	27510096/0	Sprint	Pin	
8	1	12540260/0	Bricka	Grower	
9	1	22672151/0	Bricka	Washer	
10	1	25670011/0	Bricka	Washer	
11	1	12155010/0	Mutter	Nut	
12	1	25601554/0	Remskiva	Pulley	
13	1	12523060/0	Bricka	Washer	
14	1	12155000/0	Mutter	Nut	
15	1	22446402/0	Fjäder	Spring	
21	1	18400965/0	Rear Axle Tecumseh-Peerless Lth 2000 - 004C	Rear Axle Tecumseh-Peerless Lth 2000 - 004C	
22	4	12691800/0	Skruv	Screw	
24	4	12154210/0	Mutter	Nut	
25	1	84783019/0	Stöd	Bracket	
26	1	12735121/0	Skruv	Screw	
27	1	12691200/0	Skruv	Screw	
28	1	12521350/0	Bricka	Washer	
29	1	12155000/0	Mutter	Nut	
30	1	27034069/0	Bromssporre	Lever	
31	1	12000930/0	Låsring	Snap Ring	
32	1	18564512/0	Hylsa	Fair Lead	
33	1	12793301/0	Skruv	Screw	
34	1	12523060/0	Bricka	Washer	
35	1	12521350/0	Bricka	Washer	
36	1	12155000/0	Mutter	Nut	
61	2	84680050/1	Stödhjul	Rear Wheel Turf Saver Carlisle	
61	2	84680053/1	Stödhjul	Rear Wheel Deli Tire	
62	2	84044001/0	Rimm	Rimm	
63	2	27590051/0	Dack	Tire Turf Saver Carlisle	
63	2	27590053/0	Dack	Shoe Deli Tire	
64	2	325670025/0	Bricka	Washer	
65	2	25670005/1	Bricka	Washer	
66	2	12001010/0	Låsring	Snap Ring	
67	4	25670006/0	Bricka	Washer	
68	2	22110230/0	Lock	Cap	
69	2	25950000/0	Ventil	Valve	
70	2	25160031/0	Distans	Spacer	
71	2	25670005/1	Bricka	Washer	
81	2	384680061/0	Stödhjul	Rear Wheel	
82	2	84044005/0	Rimm	Rimm	
83	2	127590063/0	Shoe	Shoe	
84	2	127590061/0	Innerslang	Inner Tube	



GARDEN COMBI HST - Model Year 2010

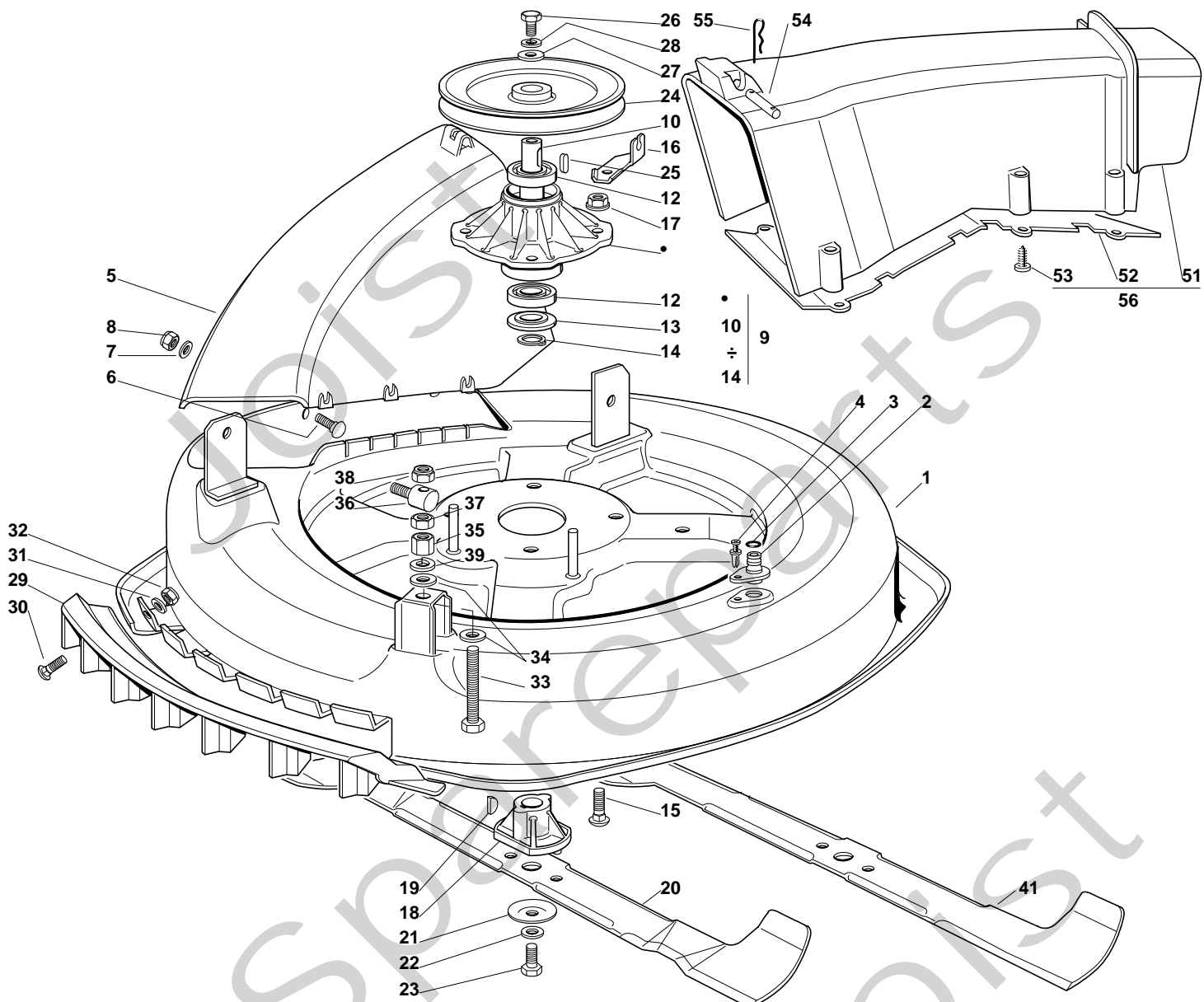
Pos. Fig.	Antal Quantity	Art No Part No	Benämning	Description	Anmärkning Notes
1	1	84001025/0	Axel	Axle	
2	2	27546015/1	Plåt	Plate	
3	4	12731350/0	Skruv	Screw	
4	1	24487997/0	Låsnål	Cotter Pin	
5	1	25670008/1	Bricka	Washer	
6	1	12156602/0	Mutter	Nut	
7	2	25670008/1	Bricka	Washer	
8	1	84001005/2	Axel	Axle	
9	2	27546015/1	Plåt	Plate	
10	4	12731350/0	Skruv	Screw	
11	1	25510007/1	Sprint	Pin	
12	2	25670008/1	Bricka	Washer	
13	1	12156602/0	Mutter	Nut	
14	1	25840003/2	Stång	Tie Rod	
15	1	12295200/0	Mutter	Nut	
16	1	12156602/0	Mutter	Nut	
17	2	22672150/0	Bricka	Washer	
18	1	24487997/0	Låsnål	Cotter Pin	
19	1	84002051/0	Vevstake	Rod	
20	1	25510040/1	Sprint	Pin	
21	1	12293200/0	Mutter	Nut	
22	1	12155000/0	Mutter	Nut	
23	1	12436050/0	Låsplatta	Plate	
24	2	25670011/0	Bricka	Washer	
25	2	25670011/0	Bricka	Washer	
26	1	12155000/0	Mutter	Nut	
27	1	84317065/1	Lever	Lever	
28	1	25394510/0	Knopp	Knob	
29	1	12674700/0	Skruv	Screw	
30	1	12154510/0	Mutter	Nut	
31	1	27430555/0	Fjäder	Spring	
32	1	27510114/0	Sprint	Pin	





GARDEN COMBI HST - Model Year 2010

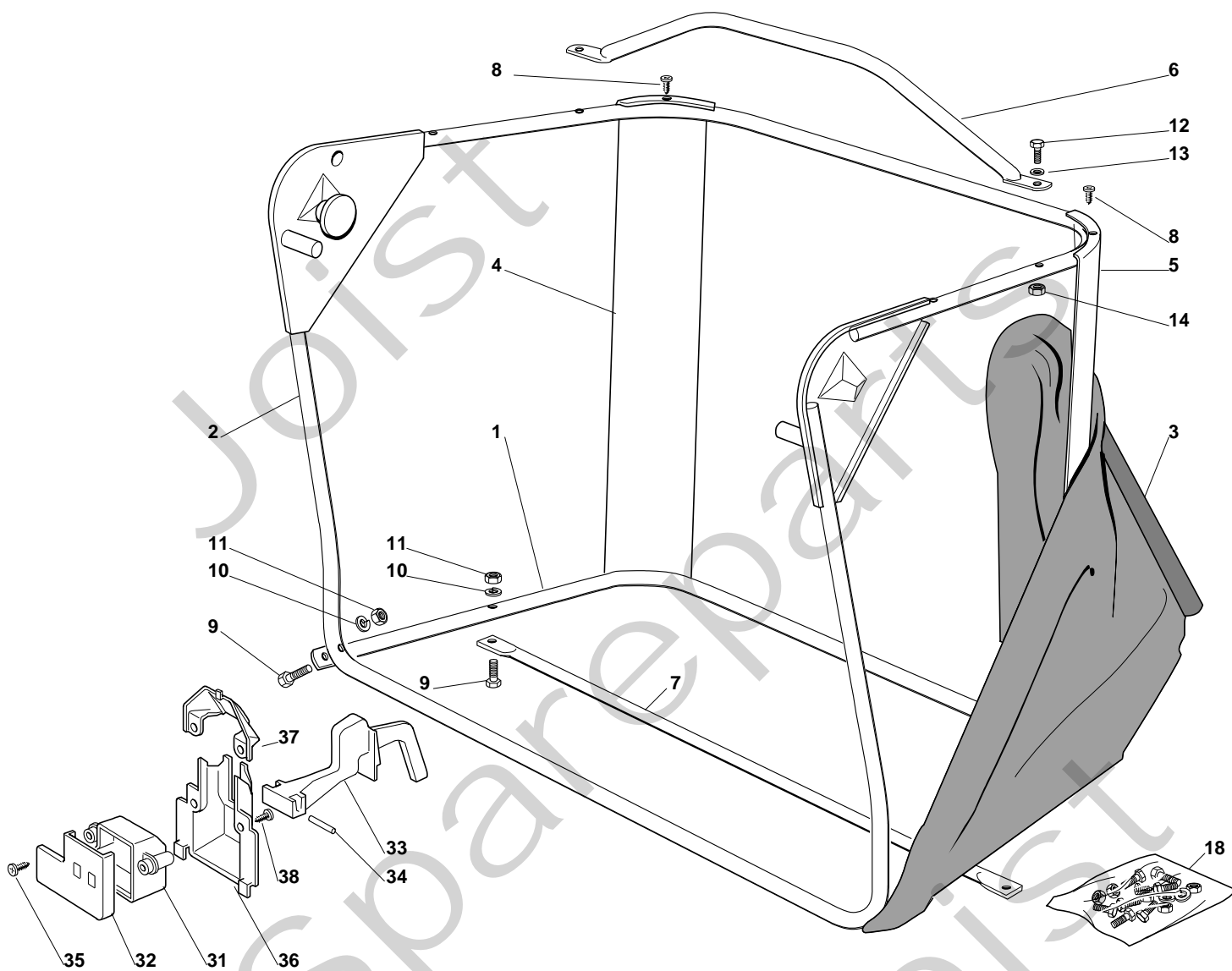
Pos. Fig.	Antal Quantity	Art No Part No	Benämning	Description	Anmärkning Notes
1	1	84317069/0	Arm	Lever	
2	1	25394510/0	Knopp	Knob	
3	1	84001007/0	Axel	Axle	
4	1	25430226/0	Fjäder	Spring	
5	1	12692050/0	Skruv	Screw	
6	1	12155000/0	Mutter	Nut	
7	2	25547049/0	Bygel	Plate	
8	4	12731601/0	Skruv	Screw	
9	1	25430571/0	Fjäder	Spring	
10	1	27487000/0	Glidblock	Shoe	
11	2	112791200/1	Skruv	Screw	
12	2	12154510/0	Mutter	Nut	
13	1	27034078/0	Länk	Rod	
14	1	22746601/0	Ledklåpa, vä+hö	Joint	
15	1	27772143/0	Klämma	Clamp	
16	1	25430576/0	Fjäder	Spring	
17	1	12521350/0	Bricka	Washer	
18	1	27510113/0	Sprint	Pin	
19	1	12293200/0	Mutter	Nut	
20	1	12155000/0	Mutter	Nut	
21	1	12583500/0	Låsbricka	Grower	
22	1	12293200/0	Mutter	Nut	
23	1	25670008/1	Bricka	Washer	
24	1	24487997/0	Låsnål	Cotter Pin	
25	1	25670006/0	Bricka	Washer	
31	1	84317083/0	Arm	Lever	
32	1	27047000/0	Bussning	Bush	
33	1	12691200/0	Skruv	Screw	
34	1	12523060/0	Bricka	Washer	
35	1	22672152/0	Bricka	Washer	
36	1	12523070/0	Bricka	Washer	
37	1	12155000/0	Mutter	Nut	
38	1	27604008/0	Remskiva	Pulley	
39	1	12691600/0	Skruv	Screw	
40	1	12523060/0	Bricka	Washer	
41	1	12293201/0	Mutter	Nut	
42	1	35061423/0	Drivrem	Belt	
61	1	84220501/0	Bromsarm	Brake	
62	1	22041980/0	Distans	Spacer	
63	1	22672152/0	Bricka	Washer	
64	1	12793102/0	Skruv	Screw	
65	1	12155010/0	Mutter	Nut	
66	1	27034077/0	Länk	Rod	
67	1	25510040/1	Sprint	Pin	
68	1	12293200/0	Mutter	Nut	
69	1	12155000/0	Mutter	Nut	
70	2	25670011/0	Bricka	Washer	
71	1	12155000/0	Mutter	Nut	
72	1	24487997/0	Låsnål	Cotter Pin	





GARDEN COMBI HST - Model Year 2010

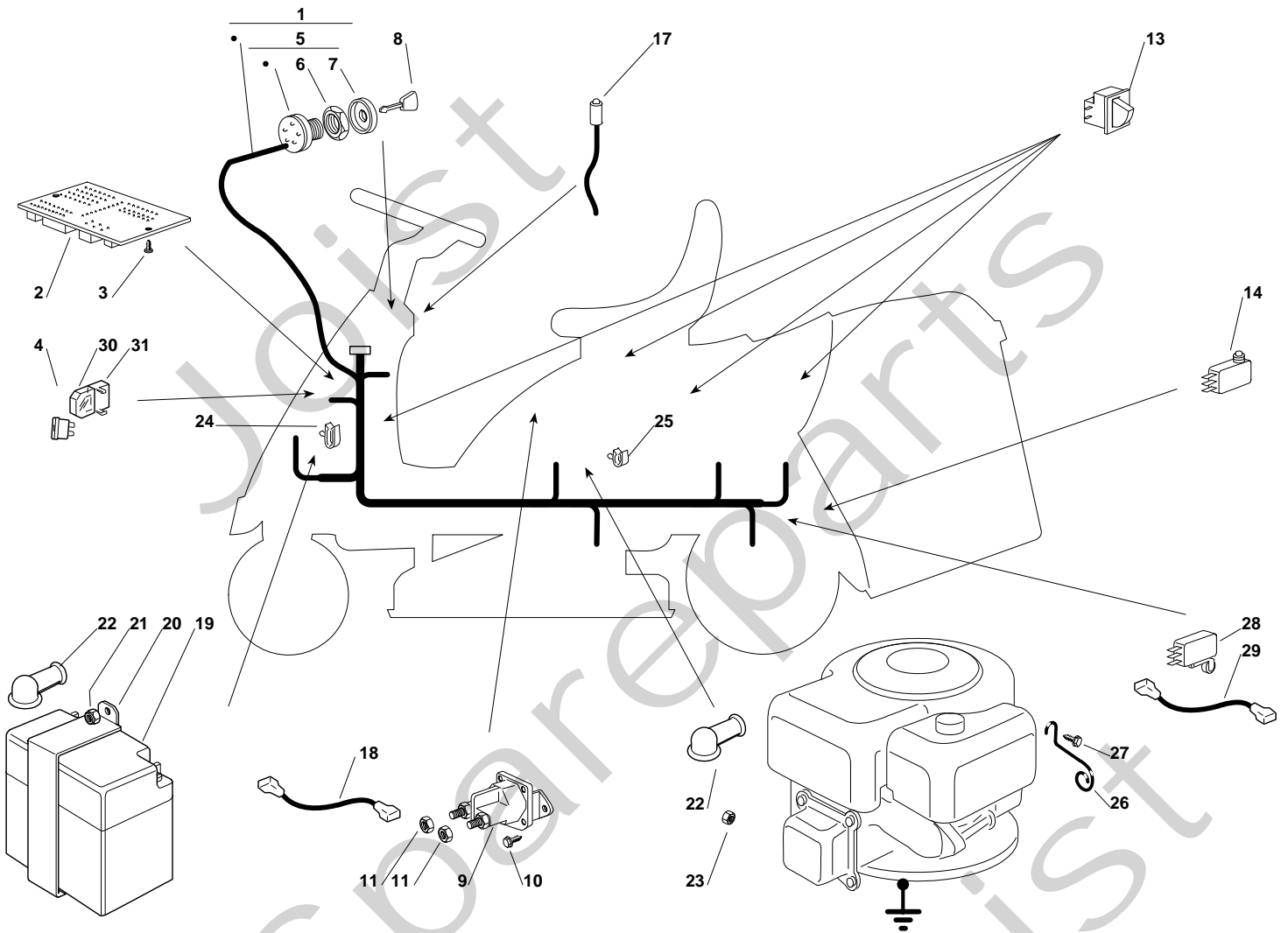
Pos. Fig.	Antal Quantity	Art No Part No	Benämning	Description	Anmärkning Notes
1	1	384564075/1	Plate, Black	Plate, Black	
2	1	25033060/0	Water Hose Connection	Water Hose Connection	
3	1	19035000/0	O-ring	Or Ring	
4	1	12500030/0	Rivet	Rivet	
5	1	27045000/1	Inmatningshus	Conveyor Inlet	
6	6	12815210/0	Skruv	Screw	
7	6	12523040/0	Bricka	Washer	
8	6	12154510/0	Mutter	Nut	
9	1	84207250/0	Fläns	Flange Ass.Y (10÷14)	
10	1	27023000/0	Axel	Shaft	
12	2	19216032/0	Kullager	Bearing	
13	1	25160501/0	Dammskydd	Dust Cover	
14	1	12609260/0	Seegerring	Seeger	
15	4	12818700/0	Skruv	Screw	
16	1	27787067/0	Lagerskydd	Support (Ggp)	
17	4	12154210/0	Mutter	Nut	
18	1	25463200/0	Knivfäste	Blade Hub	
19	1	12139100/0	Kil	Key	
20	1	84109503/0	Kniv	Blade Mulching, Winged	
21	1	22160400/0	Bricka	Elastic Washer	
22	1	12523080/0	Bricka	Washer	
23	1	12735694/0	Skruv	Screw	
24	1	27604009/0	Remskiva	Pulley	
25	1	12139480/0	Kil	Key	
26	1	12793102/0	Skruv	Screw	
27	1	25670007/0	Bricka	Washer	
28	1	12583500/0	Låsbricka	Grower	
29	1	27488000/0	Air Intake Grill	Air Intake Grill	
30	4	12815200/0	Skruv	Screw	
31	4	12521340/0	Bricka	Washer	
32	4	12154510/0	Mutter	Nut	
33	1	12794970/0	Skruv	Screw	
34	2	12523080/0	Bricka	Washer	
35	1	12154250/0	Mutter	Nut	
36	1	25510007/1	Sprint	Pin	
37	1	12295200/0	Mutter	Nut	
38	1	12156602/0	Mutter	Nut	
39	1	12585100/0	Grower	Grower	
41	1	84109502/0	Kniv	Blade, Winged	
51	1	27107501/0	Inmatningstratt	Conveyor	
52	1	27140051/1	Deflektor	Deflector	
53	8	12735402/0	Skruv	Screw	
54	1	27510097/1	Sprint	Pin	
55	2	24487997/0	Låsnål	Cotter Pin	
56	1	84108051/0	Inmatningstratt	Conveyor Ass.Y (51, 52, 53)	





GARDEN COMBI HST - Model Year 2010

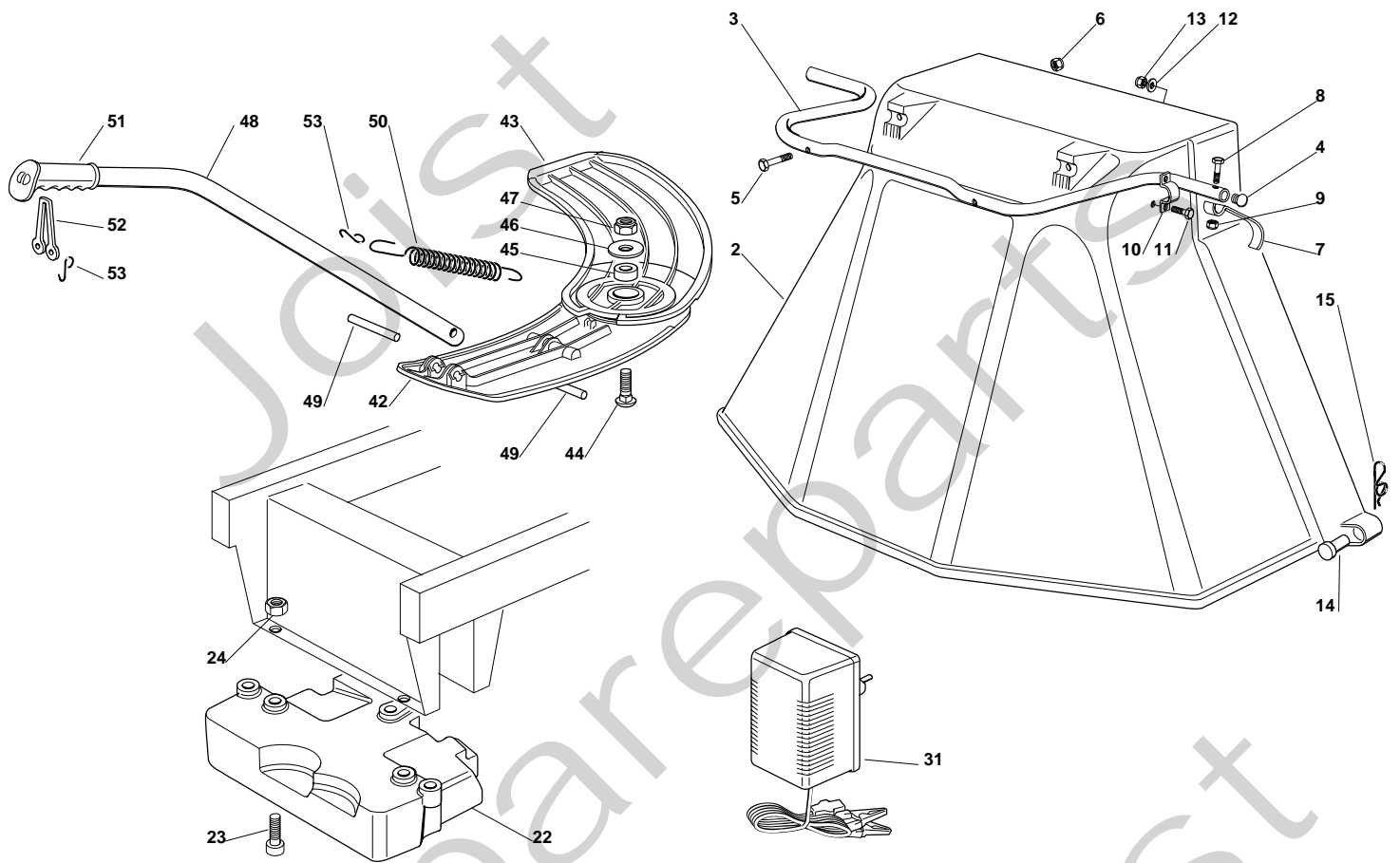
Pos. Fig.	Antal Quantity	Art No Part No	Benämning	Description	Anmärkning Notes
1	1	84801103/0	Chassi	Lower Frame	
2	1	84801105/1	Chassi	Upper Frame	
3	1	184106069/0	Uppsamlare	Grasscatcher	
4	1	27010205/0	Right Angular Support	Right Angular Support	
5	1	27010207/0	Left Angular Support	Left Angular Support	
6	1	84869051/0	Rör	Rod	
7	1	84650100/0	Reduktion	Stiffening	
8	4	12729601/1	Skruv	Screw	
9	4	12792099/0	Skruv	Screw	
10	4	12582101/0	Grower	Grower	
11	4	12292100/0	Mutter	Nut	
12	2	12674701/0	Skruv	Screw	
13	2	12521331/0	Bricka	Washer	
14	2	12154510/0	Mutter	Nut	
18	1	84180180/0	Skruvsats	Screws Outfit (8÷14)	
31	1	25600041/0	Skydd	Micro Protection	
32	1	25600042/0	Överbelastningsskydd	Protection Cover	
33	1	25318124/0	Arm	Lever	
34	1	12400030/0	Stift	Pin	
35	1	12728510/0	Skruv	Screw	
36	1	25600047/0	Skydd	Micro Protection	
37	1	25600048/0	Överbelastningsskydd	Protection Cover	
38	2	12728450/0	Skruv	Screw	





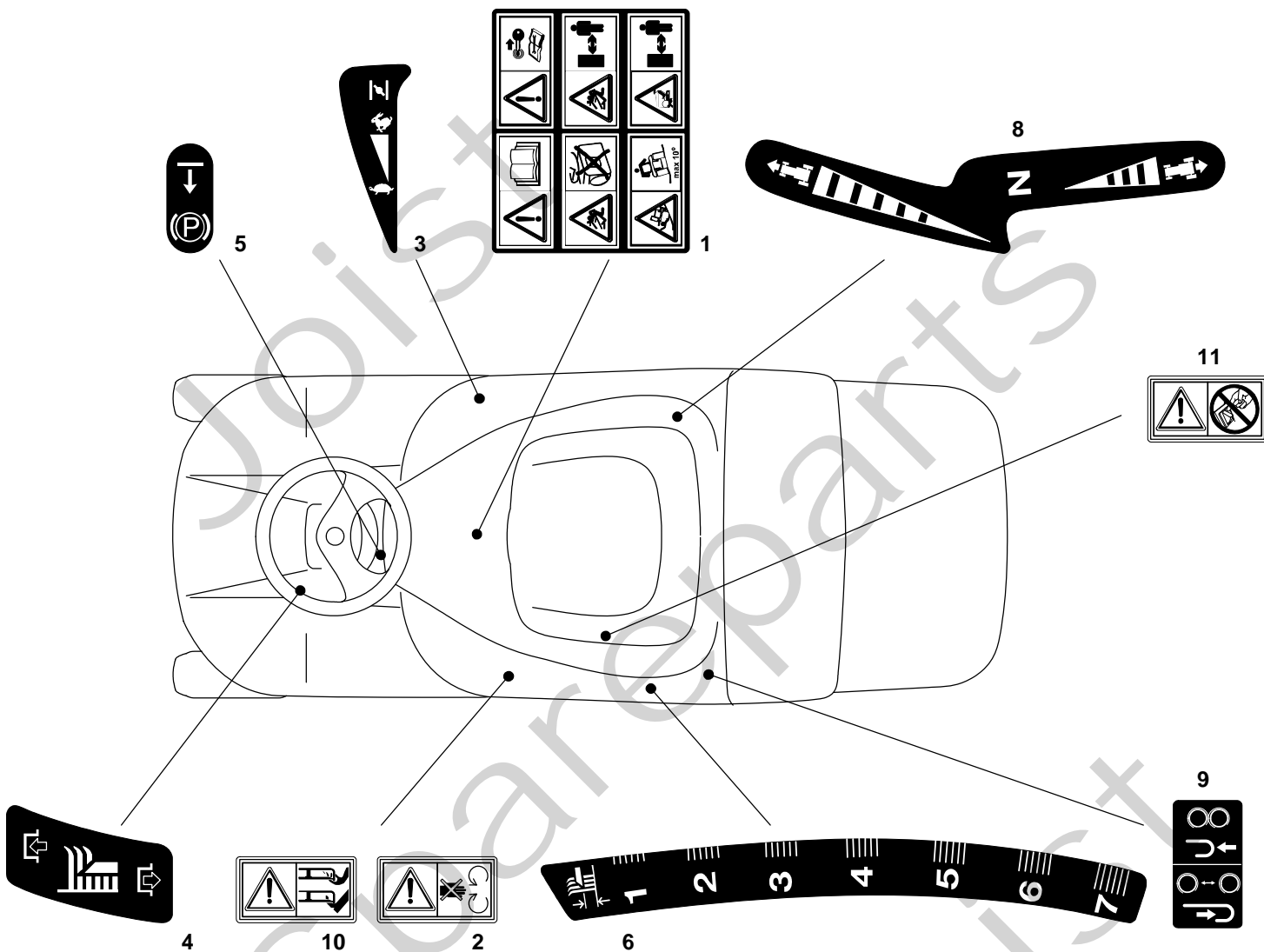
GARDEN COMBI HST - Model Year 2010

Pos. Fig.	Antal Quantity	Art No Part No	Benämning	Description	Anmärkning Notes
1	1	184040126/2	Kabel	Cables	
2	1	25722415/1	Electronic Card	Electronic Card	
3	2	12727810/0	Skruv	Screw	
4	1	33340036/0	Säkring	Fuse 25 A	
4	1	33340040/0	Säkring	Fuse 10 A	
5	1	18450065/1	Brytare	Starting Switch	
6	1	18400861/0	Ringmutter	Ringnut	
7	1	18565351/0	Hus	Ringnut Protection	
8	1	18210016/1	Starting Key	Starting Key	
9	1	18736110/0	Starter Relay	Starter Relay	
10	2	12735110/0	Skruv	Screw	
11	2	12360352/0	Mutter	Nut	
13	4	119410615/0	Micro	Microswitch	
14	1	19410605/1	Brytare	Full Grasscat. Microsw.	
17	1	25065014/1	Kabel	Cable	
18	1	27065050/0	Kabel	Cable	
19	1	18120002/1	Batteri	Battery	
20	1	27772099/1	Klämma	Clamp	
21	1	12155000/0	Mutter	Nut	
22	2	18564861/1	Tätningshylsa	Protection	
23	1	12361005/0	Mutter	Nut	
24	3	33320506/0	Kabelhållare	Fairled	
25	1	33320504/0	Kabelhållare	Fairled	
26	1	27430561/0	Fjäder	Spring	
27	1	12735121/0	Skruv	Screw	
28	1	19410609/0	Neutral Switch (Hydro)	Neutral Switch (Hydro)	
29	1	25065025/0	Kabel	Cable (Hydro)	
30	2	33215000/0	Kåpa	Cover	
31	2	33500007/0	Säkring	Fuse Carrier	



**GARDEN COMBI HST - Model Year 2010**

Pos. Fig.	Antal Quantity	Art No Part No	Benämning	Description	Anmärkning Notes
2	1	84598062/0	Ejection Guard	Ejection Guard	
3	1	27869053/0	Support	Support	
4	2	18566113/0	Plugg	Cap	
5	2	12674701/0	Skruv	Screw	
6	2	12154510/0	Mutter	Nut	
7	1	25547053/0	Plåt	Plate	
8	1	12791500/0	Skruv	Screw	
9	1	12154510/0	Mutter	Nut	
10	2	25547049/0	Bygel	Plate	
11	4	12788910/0	Skruv	Screw	
12	4	12523020/0	Bricka	Washer	
13	4	12154320/0	Mutter	Nut	
14	2	25510022/0	Sprint	Pin	
15	2	24487998/0	Låsnål	Cotter Pin	
22	1	25519997/1	Weight	Weight	
23	3	12760520/0	Skruv	Screw	
24	3	12155000/0	Mutter	Nut	
31	1	182180090/0	Batteriladdare	Battery Charger	
31	1	182180091/0	Batteriladdare (for U.K.)	Battery Charger (U.K.)	
42	1	27140055/0	Deflektor	Deflector, Rear	
43	1	27140054/0	Deflektor	Deflector, Front	
44	1	12818700/0	Skruv	Screw	
45	1	27047013/0	Bussning	Bushing	
46	1	22672152/0	Bricka	Washer	
47	1	12155000/0	Mutter	Nut	
48	1	27394003/2	Styre	Handle	
49	2	27510116/0	Sprint	Pin	
50	1	25430229/1	Fjäder	Spring	
51	1	25280000/1	Handtag	Handgrip	
52	1	25840011/1	Stång	Elastic Tie-Rod	
53	3	25253004/0	Hake	Hook	





GARDEN COMBI HST - Model Year 2010

Pos. Fig.	Antal Quantity	Art No Part No	Benämning	Description	Anmärkning Notes
1	1	114357428/1	Dekal	Label	
2	1	114357519/2	Dekal	Label	
3	1	114357425/1	Dekal	Label	
4	1	14357431/0	Dekal	Label	
5	1	114357526/1	Dekal	Label	
6	1	14357427/0	Dekal	Label	
8	1	14357702/0	Dekal	Label	
9	1	14358513/0	Dekal	Label	
10	2	114356699/1	Dekal	Label	
11	1	14360118/0	Dekal	Label	