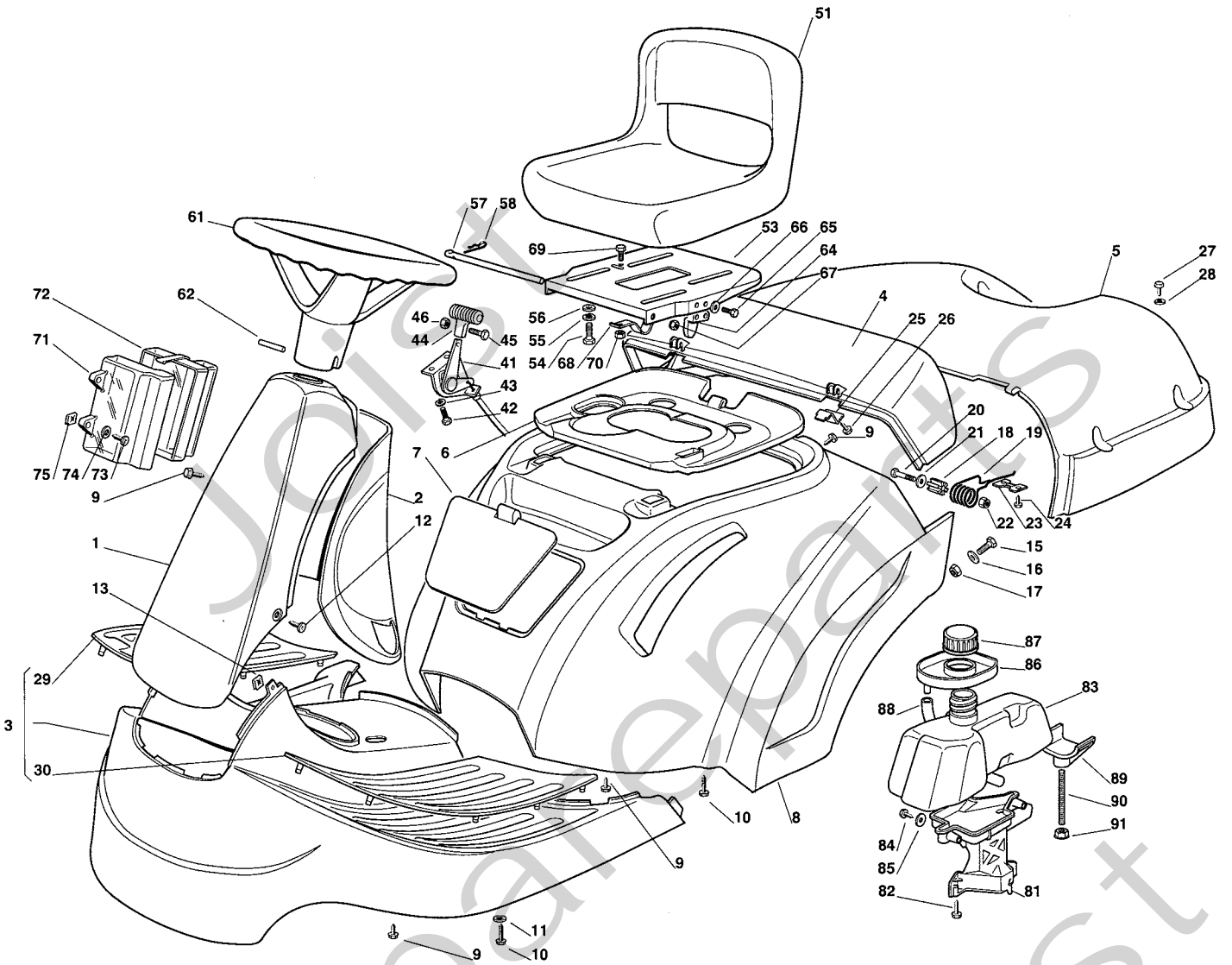
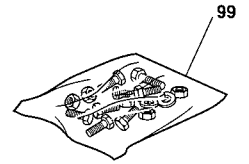


# Genuine Spare Parts

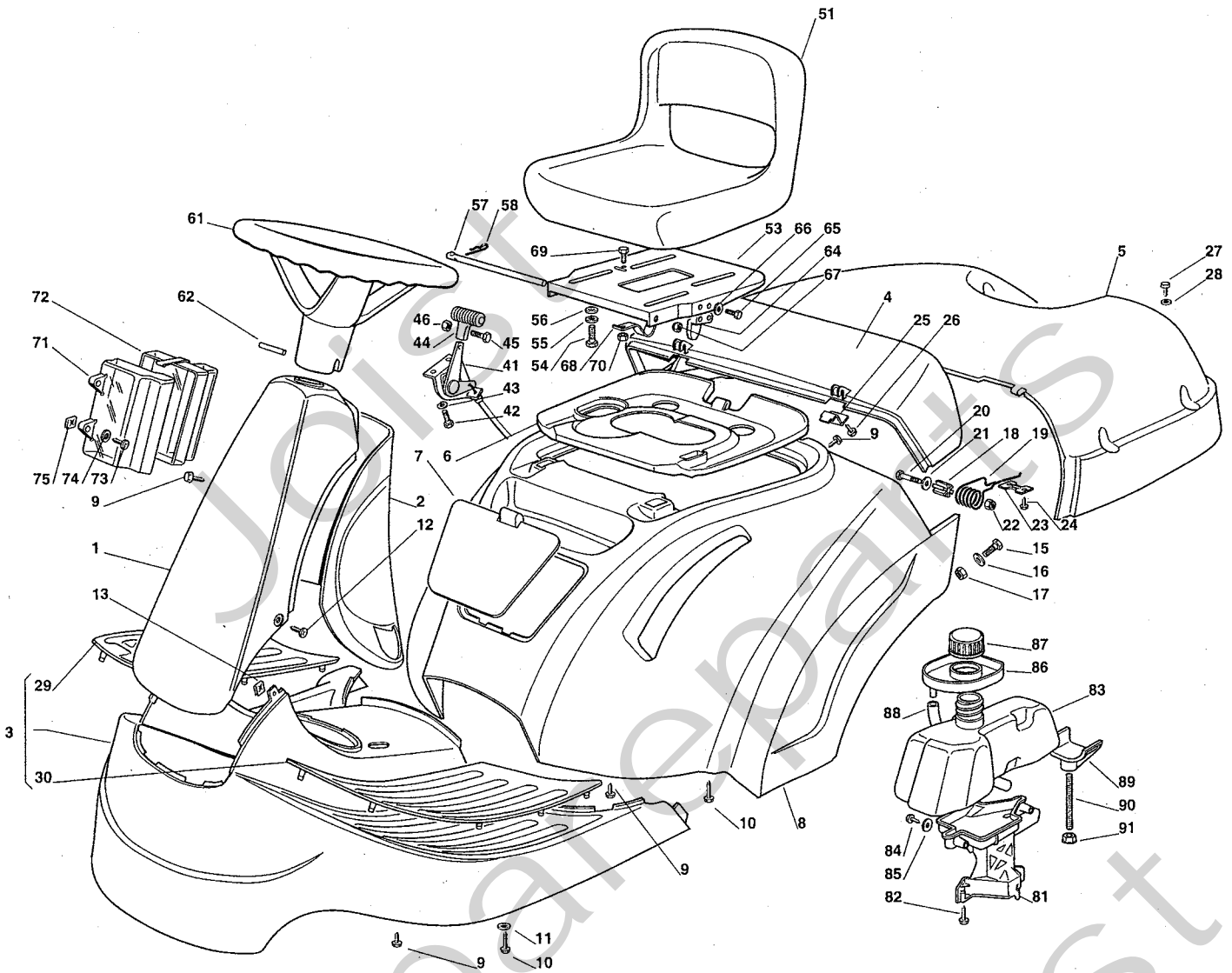
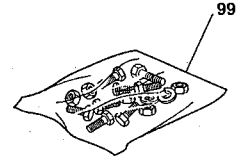
---



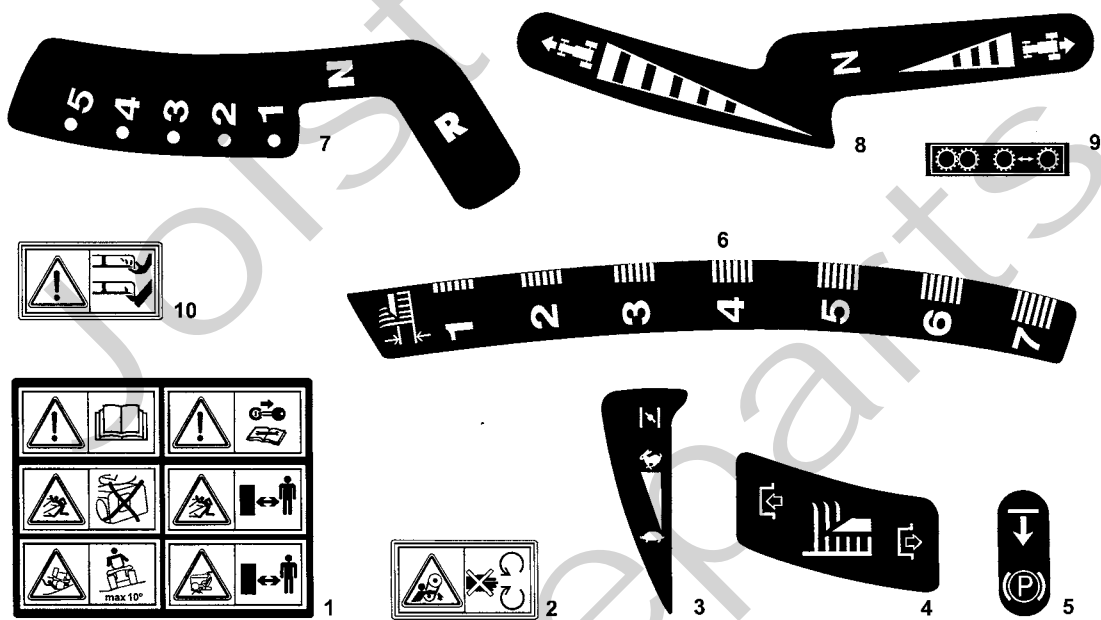
Joist  
Spareparts  
Joist



Utgåva Issue 2004-13		Bildnr Picture No 1227B		GARDEN COMBI GARDEN COMBI HST KAROSS		GARDEN COMBI GARDEN COMBI HST BODY WORK		Sida Page 28	
Pos. Fig.	Antal/Quantity			Art nr Part No	Benämning	Description	Sats Kit	Anmärkning Notes	
	2511	2512							
1	1	1		1136-0585-01	Kåpa-främre.....	Cover-front.....		Inkl. pos 29, 30	
2	1	1		1136-0415-01	Kåpa-bakre.....	Cover-rear.....			
3	1	1		1136-0571-01	Fotstegskåpa.....	Footboard cover.....			
4	1	1		1136-0382-01	Uppsamlarlock-fast.....	Grass bag cover-fixed.....			
5	1	1		1136-0383-01	Uppsamlarlock-rörligt.....	Grass bag cover-mobil.....			
6	1	1		1136-0381-01	Motorlucka.....	Engine cover.....			
7	1	1		1136-0378-01	Frontlucka.....	Front cover.....			
8	1			1136-0572-01	Hjulåpa.....	Wheel cover.....			
8		1		1136-1069-01	Hjulåpa.....	Wheel cover.....			
9	10	10		9836-9618-12	Skruv.....	Screw.....			
10	8	8		9836-9635-12	Skruv.....	Screw.....			
11	4	4		9699-0060-02	Planbricka.....	Flat washer.....			
12	2	2		9941-0512-16	Skruv.....	Screw.....			
13	2	2		1136-0011-01	Låsplatta.....	Lock plate.....			
15	2	2		9997-0616-16	Skruv.....	Screw.....			
16	2	2		9699-0060-02	Planbricka.....	Flat washer.....			
17	2	2		9747-0631-02	Låsmutter.....	Lock nut.....			
18	2	2		1136-0375-01	Bussning.....	Bushing.....			
19	2	2		1136-0393-01	Fjäder.....	Spring.....			
20	2	2		9997-0845-12	Skruv.....	Screw.....			
21	2	2		1136-0014-01	Bricka.....	Washer.....			
22	2	2		9747-0831-02	Mutter.....	Lock nut.....			
23	2	2		1136-0404-01	Platta.....	Plate.....			
24	4	4		9836-9618-12	Skruv.....	Screw.....			
25	2	2		1136-0405-01	Plåt.....	Plate.....			
26	2	2		9836-9618-12	Skruv.....	Screw.....			
27	4	4		9847-8116-16	Skruv.....	Screw.....			
28	4	4		9699-0035-02	Planbricka.....	Flat washer.....			
29	1	1		1136-0379-01	• Fotstegsskydd-hö.....	• Footboard cover-RH.....			
30	1	1		1136-0380-01	• Fotstegsskydd-vä.....	• Footboard cover-LH.....			
41	1	1		1136-0556-01	Gasreglage.....	Throttle control.....			
42	2	2		9997-0412-16	Skruv.....	Screw.....			
43	2	2		9683-0010-02	Bricka.....	Washer.....			
44	1	1		1136-0192-01	Knopp.....	Handle.....			
45	1	1		9865-0412-16	Skruv.....	Screw.....			
46	1	1		9799-0431-02	Mutter.....	Nut.....			
51	1	1		1136-0315-01	Sits.....	Seat.....			
53	1	1		1136-0252-01	Sitsplatta.....	Seat plate.....			
54	4	4		9997-0820-16	• Skruv.....	• Screw.....			
55	4	4		9683-0030-02	• Låsbricka.....	• Lock washer.....			
56	4	4		9699-0056-02	• Planbricka.....	• Flat washer.....			
57	1	1		1136-1017-01	Axel.....	Pin.....			
58	1	1		1136-0095-01	Låsnål.....	Hair pin.....			
61	1	1		1136-0360-01	Ratt.....	Steering wheel.....			
62	1	1		9595-0272-00	• Stift.....	• Pin.....			
64	1	1		1136-0942-01	Kam.....	Cam.....			
65	2	2		1136-0820-01	Skruv.....	Screw.....			
66	2	2		9699-0018-02	Bricka.....	Washer.....			
67	2	2		9747-0531-02	Mutter.....	Nut.....			
68	1	1		1136-0891-01	Fjäder.....	Spring.....			
69	1	1		9997-0512-16	Skruv.....	Screw.....			
70	1	1		9747-0531-02	Mutter.....	Nut.....			
71	1	1		1136-0275-01	Skydd-övre.....	Guard-upper.....			
72	1	1		1136-0276-01	Skydd-nedre.....	Guard-lower.....			
73	2	2		9847-8038-16	Skruv.....	Screw.....			
74	2	2		9699-0024-02	Planbricka.....	Flat washer.....			
75	2	2		1136-0010-01	Låsplatta.....	Lock plate.....			
X 81	1	1		1136-1491-01	Stöd.....	Support.....			
82	3	3		9836-9635-12	Skruv.....	Screw.....			
X 83	1	1		1136-1490-01	Bränsletank.....	Fuel tank.....			
84	2	2		9836-9635-12	Skruv.....	Screw.....			
85	2	2		9699-0060-02	Planbricka.....	Flat washer.....			
X 86	1	1		1136-1488-01	Skydd.....	Guard.....			

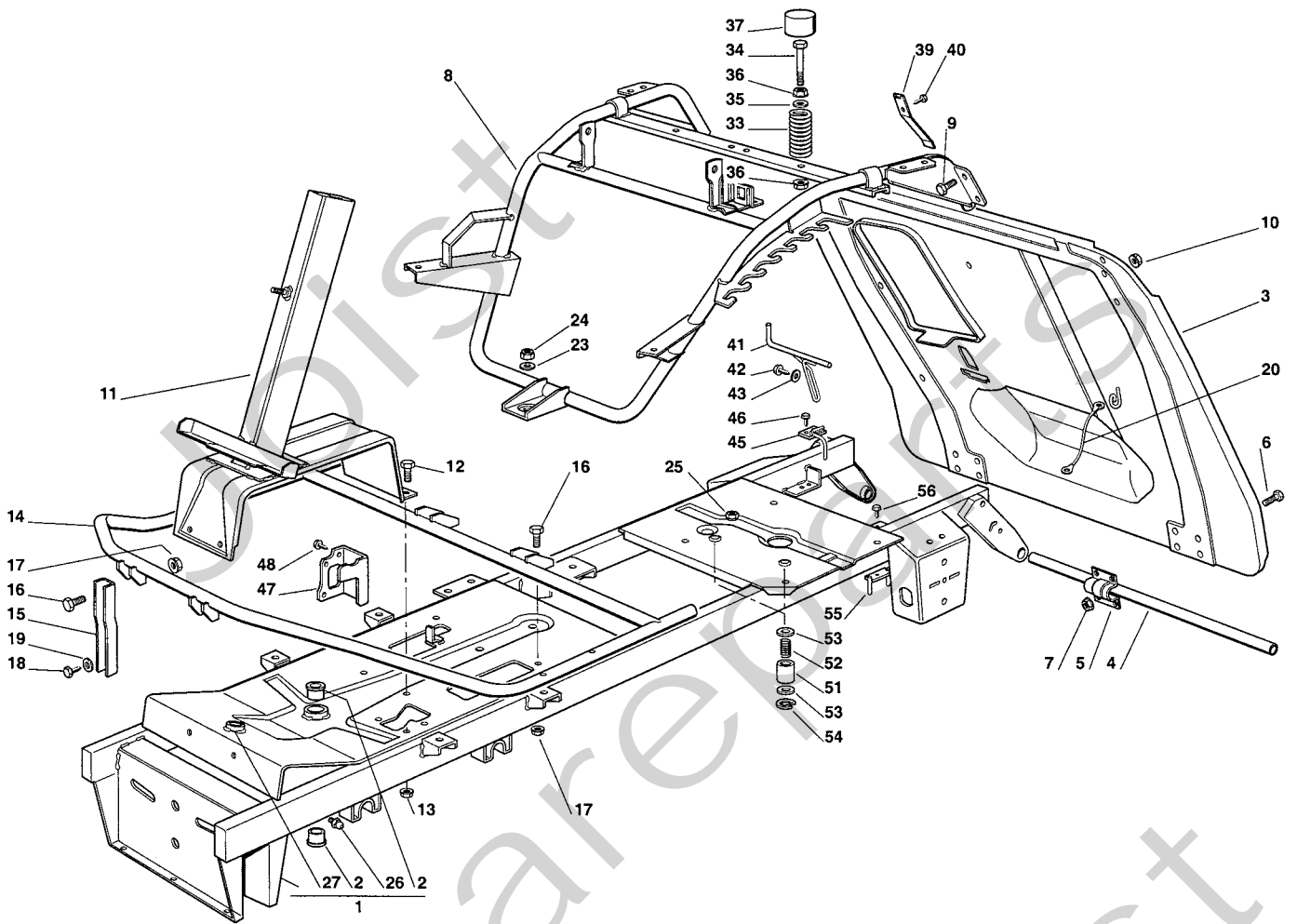


Utgåva Issue		Bildnr Picture No		GARDEN COMBI GARDEN COMBI HST KAROSS		GARDEN COMBI GARDEN COMBI HST BODY WORK		Sida Page	
2004-13		1227B						30	
Pos. Fig.	Antal/Quantity			Art nr Part No	Benämning	Description	Sats Kit	Anmärkning Notes	
	2511	2512							
X	87	1	1	1136-0344-01	Tanklock .....	Tank cap .....		Inkl. pos 54 - 56, 62	
X	88	1	1	1136-1478-01	Slang .....	Tube .....			
X	89	1	1	1136-1492-01	Stöd .....	Support .....			
X	90	1	1	1136-1487-01	Pinnbult .....	Stud .....			
	91	2	2	9739-0831-22	Mutter .....	Nut .....			
	99	1	1	1136-1238-01	Tillbehörspåse .....	Key outfit .....			



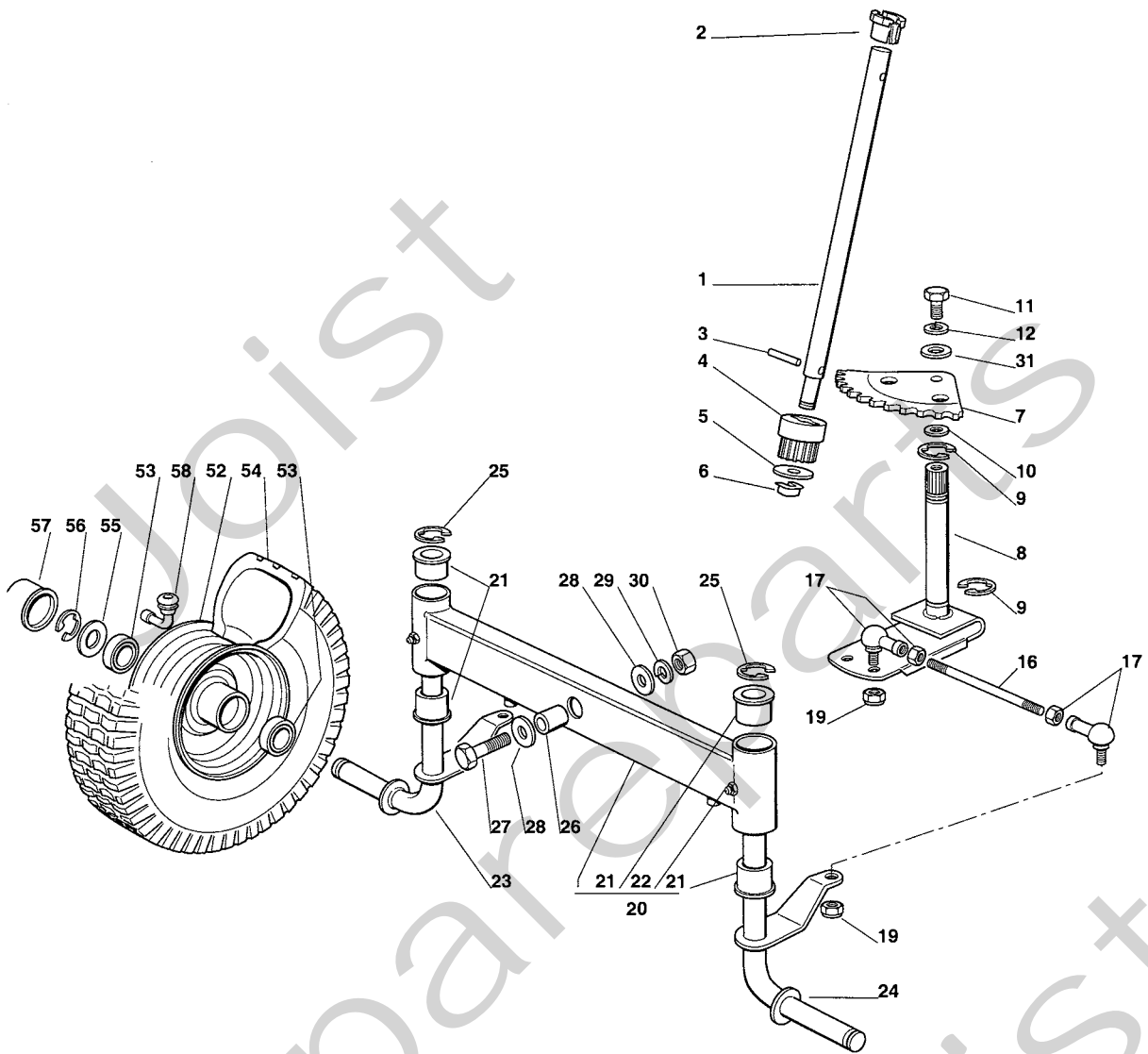
Spare Parts Joist

Utgåva Issue 2004-13		Bildnr Picture No 1209A		GARDEN COMBI GARDEN COMBI HST DEKALER		GARDEN COMBI GARDEN COMBI HST LABELS		Sida Page 32	
Pos. Fig.	Antal/Quantity			Art nr Part No	Benämning	Description	Sats Kit	Anmärkning Notes	
	2511	2512							
1	1	1		1136-0035-01	Dekal .....	Label .....			
2	1	1		1136-0037-01	Dekal .....	Label .....			
3	1	1		1136-0032-01	Dekal .....	Label .....			
4	1	1		1136-0036-01	Dekal .....	Label .....			
5	1	1		1136-0038-01	Dekal .....	Label .....			
6	1	1		1136-0034-01	Dekal .....	Label .....			
7	1			1136-0033-01	Dekal .....	Label .....			
8		1		1136-0826-01	Dekal .....	Label .....			
9		1		1136-0030-01	Dekal .....	Label .....			
10	2	2		1136-0021-01	Dekal .....	Label .....			
X 99	2			1136-1442-01	Dekal "Combi" .....	Label "Combi" .....		Ej ill/not ill.	
X 99		2		1136-1443-01	Dekal "Combi HST" .....	Label "Combi HST" .....		Ej ill/not ill.	
X 99	1	1		1136-1451-01	Dekal "STIGA" .....	Label "STIGA" .....		Ø 55 mm	
X 99	3	3		1136-1452-01	Dekal "STIGA" .....	Label "STIGA" .....		80 x 20 mm	
X 99	1	1		1136-1453-01	Dekal "STIGA" .....	Label "STIGA" .....		140 x 33 mm	

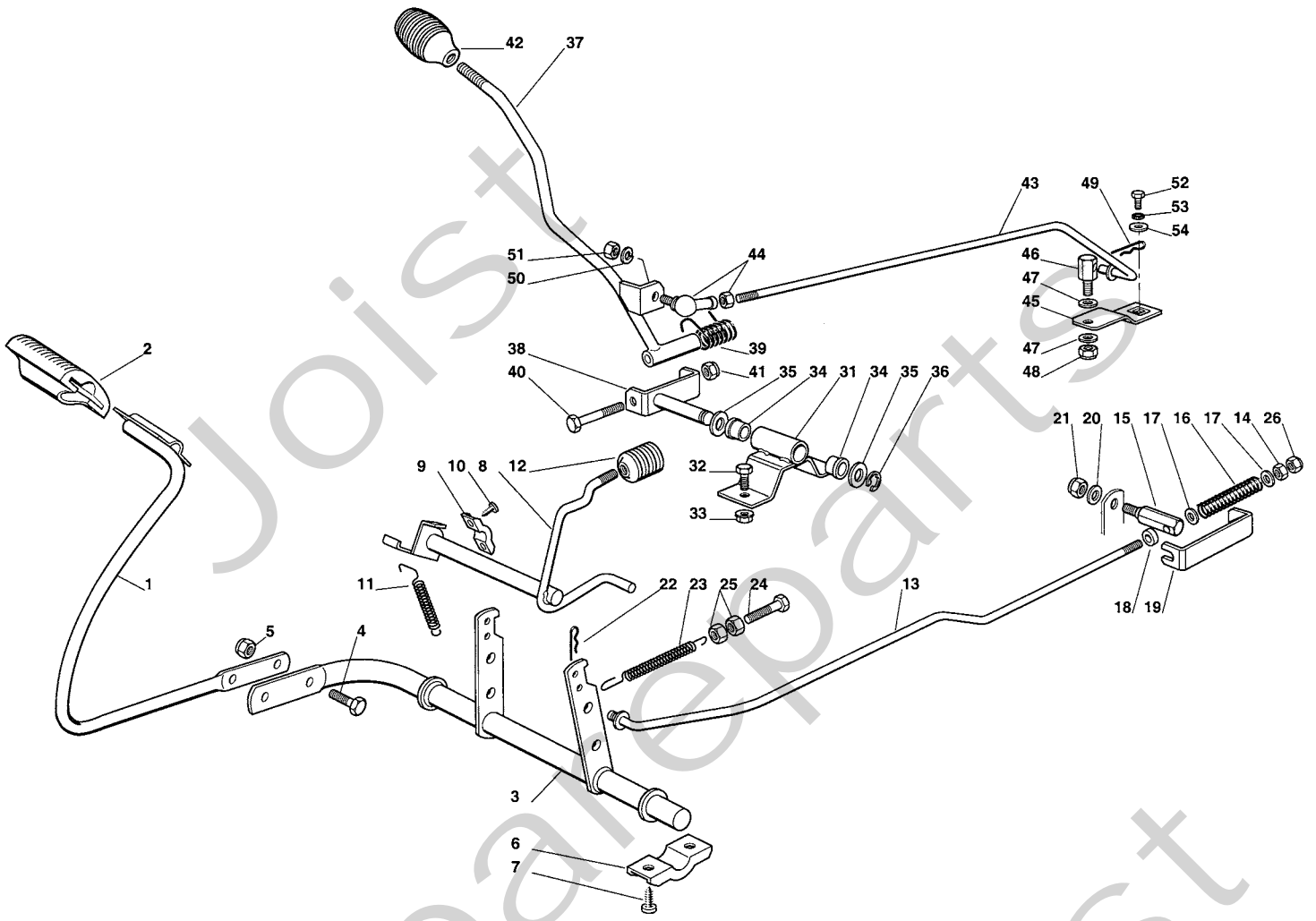




Utgåva Issue 2004-13		Bildnr Picture No 1226C		GARDEN COMBI GARDEN COMBI HST CHASSI		GARDEN COMBI GARDEN COMBI HST CHASSIS		Sida Page 34	
Pos. Fig.	Antal/Quantity			Art nr Part No	Benämning	Description	Sats Kit	Anmärkning Notes	
	2511	2512							
X	1	1	1	1136-1505-01	Ram.....	Frame.....		Inkl. pos 2, 26, 27	
	2	2	2	1136-0121-01	• Bussning.....	• Bushing.....			
	3	1	1	1136-0582-01	Plåt- bak.....	Plate- rear.....			
	4	1	1	1136-0371-01	Pivotstång.....	Pivot.....			
	5	2	2	1136-0251-01	Bygel.....	Clamp.....			
	6	8	8	9997-0616-16	Skruv.....	Screw.....			
	7	8	8	9739-0631-22	Mutter.....	Nut.....			
	8	1	1	1136-1288-01	Ram- övre.....	Frame- top.....			
	9	4	4	9997-0816-16	Skruv.....	Screw.....			
	10	4	4	9739-0831-22	Mutter.....	Nut.....			
X	11	1	1	1136-1504-01	Stöd.....	Support.....			
	12	4	4	9997-0816-16	Skruv.....	Screw.....			
	13	4	4	9739-0831-22	Mutter.....	Nut.....			
	14	1	1	1136-0595-01	Fotstegshållare.....	Footboard holder.....			
	15	2	2	1136-0423-01	Stöd.....	Support.....			
	16	4	4	9997-0816-16	Skruv.....	Screw.....			
	17	4	4	9739-0831-22	Mutter.....	Nut.....			
	18	2	2	9847-8216-16	Skruv.....	Screw.....			
	19	2	2	9699-0035-02	Planbricka.....	Flat washer.....			
	20	1	1	1136-0566-01	Lina.....	Cord.....			
	23	1	1	9699-0056-02	Planbricka.....	Flat washer.....			
	24	1	1	9747-0831-02	Mutter.....	Lock nut.....			
	25	1	1	1136-0013-01	Mutter.....	Nut.....			
	26	1	1	9501-0500-00	• Smörjnippl.....	• Grease joint.....			
	27	1	1	1136-1226-01	• Bussning.....	• Bushing.....			
	33	2	2	1136-1240-01	Fjäder.....	Spring.....			
X	34	2	2	1136-1493-01	Skruv.....	Screw.....			
	35	2	2	9699-0090-02	Planbricka.....	Flat washer.....			
	36	4	4	9739-0831-22	Mutter.....	Nut.....			
	37	2	2	1136-0156-01	Lock.....	Cap.....			
	39	1	1	1136-0395-01	Fjäder.....	Spring.....			
	40	1	1	9848-8013-16	Skruv.....	Screw.....			
	41	1	1	1136-0387-01	Styrning.....	Guide.....			
	42	1	1	9847-8216-16	Skruv.....	Screw.....			
	43	1	1	9699-0060-02	Planbricka.....	Flat washer.....			
	45	1	1	1136-0388-01	Remstyrning.....	Belt guide.....			
	46	2	2	9848-8013-16	Skruv.....	Screw.....			
	47	1	1	1136-0421-01	Fäste.....	Clamp.....			
	48	2	2	9847-7809-16	Skruv.....	Screw.....			
	51	2	2	1136-1254-01	Bussning.....	Bushing.....			
	52	2	2	1136-1266-01	Fjäder.....	Spring.....			
	53	4	4	1136-0308-01	Bricka.....	Washer.....			
	54	2	2	1136-1211-01	Låsring.....	Snap ring.....			
X	55	1	1	1136-1501-01	Remstyrning.....	Belt guide.....			
	56	1	1	9848-8013-16	Skruv.....	Screw.....			

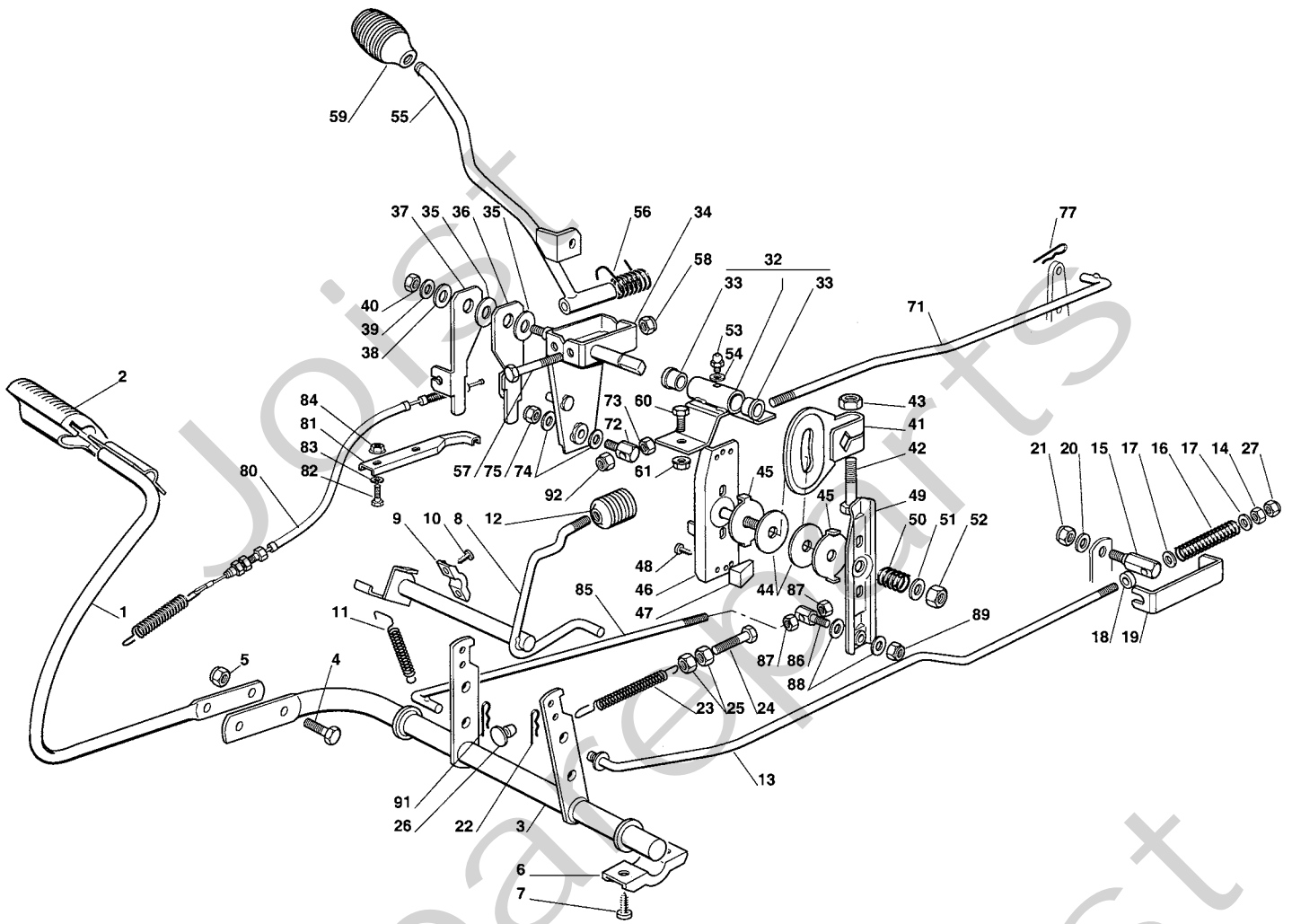


Utgåva Issue 2004-13		Bildnr Picture No 1228A		GARDEN COMBI GARDEN COMBI HST STYRNING		GARDEN COMBI GARDEN COMBI HST STEERING		Sida Page 36	
Pos. Fig.	Antal/Quantity			Art nr Part No	Benämning	Description	Sats Kit	Anmärkning Notes	
	2511	2512							
X 1	1			1136-0403-01	Rattstång .....	Steering column .....			
2	1			1136-1469-01	Bussning .....	Bushing .....			
3	1			9595-0262-00	Spännstift .....	Locating pin .....			
4	1			1136-0408-01	Styrdrev .....	Steering pinion .....			
5	1			9699-0037-02	Bricka .....	Washer .....			
6	1			1136-0008-01	Låsplatta .....	Lock plate .....			
7	1			1136-0588-01	Styrsektor .....	Steering sector .....			
8	1			1136-0557-01	Styraxel .....	Steering shaft .....			
9	2			9652-0015-04	Låsring .....	Retaining ring .....			
10	0-2			9695-0014-00	Bricka .....	Washer .....			
11	1			9997-0820-16	Skruv .....	Screw .....			
12	1			9683-0030-02	Låsbricka .....	Lock washer .....			
16	2			1136-0424-01	Styrstag .....	Tie rod .....			
17	4			1136-0092-01	Kulled .....	Ball joint .....			
19	4			9747-1031-02	Låsmutter .....	Lock nut .....			
20	1			1136-0564-01	Framaxel kpl .....	Front wheel axle assy .....		Inkl. pos 21, 22	
21	4			1136-0121-01	• Bussning .....	• Bushing .....			
22	2			9501-0500-00	• Smörjnippel .....	• Grease joint .....			
23	1			1136-0575-01	Hjulspindel- hö .....	Stub axle- RH .....			
24	1			1136-0576-01	Hjulspindel- vä .....	Stub axle- LH .....			
25	2			9652-0015-04	Låsring .....	Retaining ring .....			
26	1			1136-0165-01	Distans .....	Spacer .....			
27	1			9997-1260-02	Skruv .....	Screw .....			
28	2			1136-0016-01	Bricka .....	Washer .....			
29	1			9683-0055-02	Låsbricka .....	Lock washer .....			
30	1			9799-1231-02	Mutter .....	Nut .....			
31	1			9699-0090-02	Planbricka .....	Flat washer .....			
52	2			1136-0567-01	Fälg .....	Rim .....			
53	4			1136-0157-01	Lager .....	Bearing .....			
54	2			1136-0409-01	Däck (Turf Saver) .....	Tire (Turf Saver) .....			
54	2			1136-0411-01	Däck (Deli) .....	Tire (Deli) .....			
55	2			1136-0305-01	Bricka .....	Washer .....			
56	2			9652-0015-04	Låsring .....	Retaining ring .....			
57	2			1136-0081-01	Navkapsel .....	Hub cap .....			
58	2			1136-0359-01	Ventil .....	Valve .....			

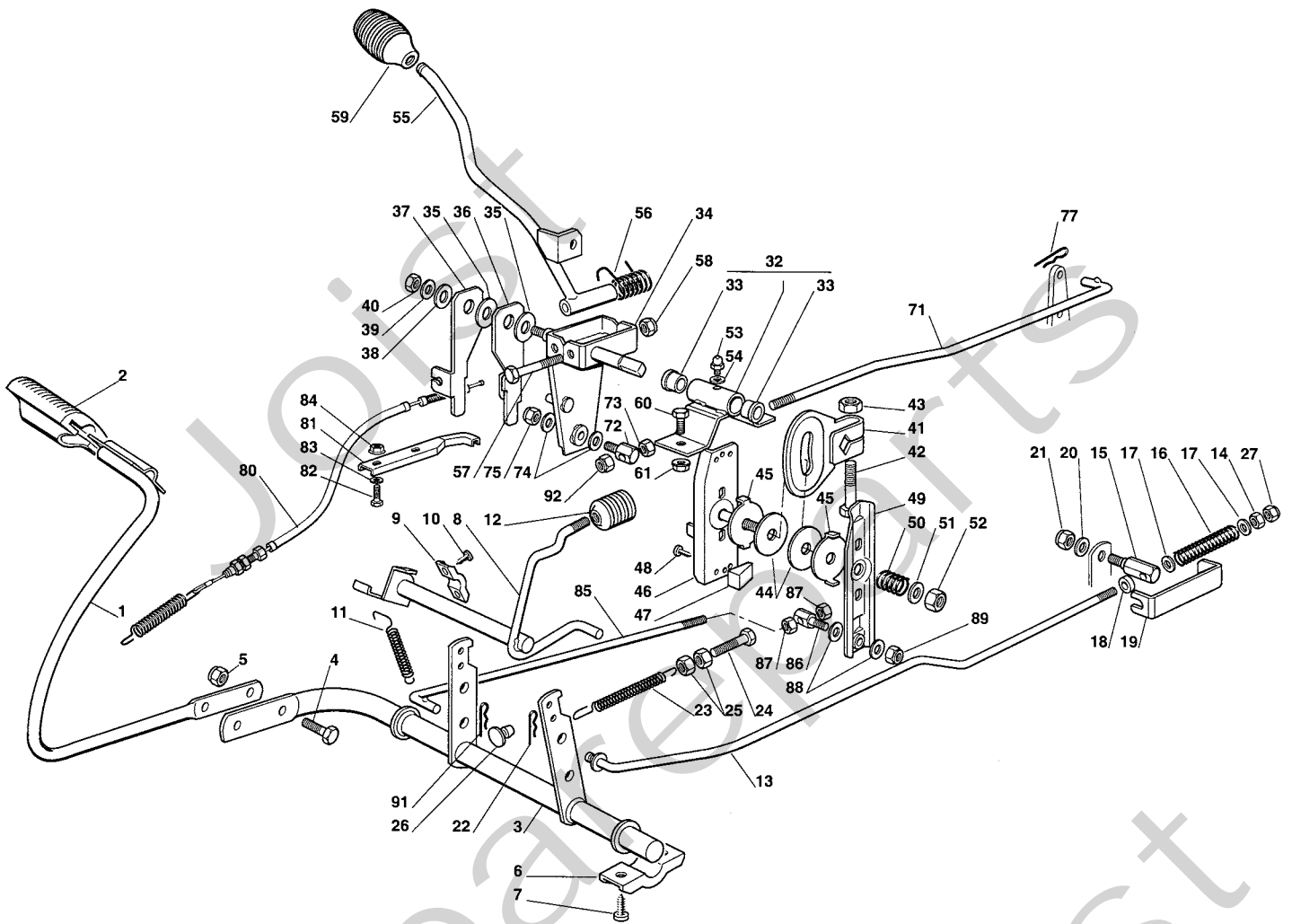


Utgåva Issue 2004-13		Bildnr Picture No 1229B		GARDEN COMBI BROMSREGLAGE VÄXELREGLAGE		GARDEN COMBI BRAKE CONTROL GEAR SHIFTER CONTROL		Sida Page 38	
Pos. Fig.	Antal/Quantity			Art nr Part No	Benämning	Description	Sats Kit	Anmärkning Notes	
	2511								
1	1			1136-0581-01	Bromspedal .....	Brake pedal .....			
2	1			1136-0152-01	Pedalskydd .....	Pedal cover .....			
3	1			1136-0562-01	Pedalaxel .....	Pedal shaft .....			
4	2			9997-0825-16	Skruv .....	Screw .....			
5	2			9747-0831-02	Mutter .....	Lock nut .....			
6	2			1136-0406-01	Bygel .....	Clamp .....			
7	4			9847-8119-16	Skruv .....	Screw .....			
8	1			1136-0561-01	P-bromsaxel .....	Parking brake shaft .....			
9	2			1136-0256-01	Bygel .....	Plate .....			
10	4			9847-8016-16	Skruv .....	Screw .....			
11	1			1136-0394-01	Fjäder .....	Spring .....			
12	1			1136-0392-01	Knopp .....	Knob .....			
13	1			1136-0930-01	Stång .....	Rod .....			
14	1			9799-0831-02	Mutter .....	Nut .....			
15	1			1136-1485-01	Ledbult .....	Pivot bolt .....			
16	1			1136-0218-01	Fjäder .....	Spring .....			
17	2			9699-0090-02	Planbricka .....	Flat washer .....			
18	1			1136-0084-01	Distans .....	Spacer .....			
19	1			1136-0329-01	Bygel .....	Clamp .....			
20	1			9699-0085-02	Planbricka .....	Flat washer .....			
21	1			9747-0631-02	Låsmutter .....	Lock nut .....			
22	1			1136-0095-01	Låsnål .....	Hair pin .....			
23	1			1136-0209-01	Fjäder .....	Spring .....			
24	1			1136-0094-01	Skruv .....	Screw .....			
25	2			9799-0831-02	Mutter .....	Nut .....			
26	1			9747-0831-02	Mutter .....	Lock nut .....			
31	1			1136-0589-01	Fäste .....	Support .....			
32	2			9997-0820-16	Skruv .....	Screw .....			
33	2			9739-0831-22	Mutter .....	Nut .....			
34	2			1136-0374-01	Bussning .....	Bushing .....			
35	2			9699-0037-02	Bricka .....	Washer .....			
36	1			9650-0012-04	Seegersåkring .....	Circlip .....			
37	1			1136-0577-01	Växelspak .....	Gearshift lever .....			
38	1			1136-0590-01	Bygel .....	Clamp .....			
39	1			1136-0212-01	Fjäder .....	Spring .....			
40	1			9997-0880-16	Skruv .....	Screw .....			
41	1			9747-0831-02	Mutter .....	Lock nut .....			
42	1			1136-0503-01	Knopp .....	Knob .....			
43	1			1136-0366-01	Växelstång .....	Shifter rod .....			
44	1			1136-0093-01	Kulled .....	Ball joint .....			
45	1			1136-0390-01	Växelarm .....	Gearshift arm .....			
46	1			1136-0235-01	Ledbult .....	Pivot bolt .....			
47	2			1136-0309-01	Bricka .....	Washer .....			
48	1			9747-0831-02	Mutter .....	Lock nut .....			
49	1			1136-0095-01	Låsnål .....	Hair pin .....			
50	1			9683-0030-02	Låsbricka .....	Lock washer .....			
51	1			9799-0831-02	Mutter .....	Nut .....			
52	1			9987-5016-16	Skruv .....	Screw .....			
53	1			9678-0008-02	Låsbricka .....	Lock washer .....			
54	1			1136-0091-01	Bricka .....	Washer .....			

X

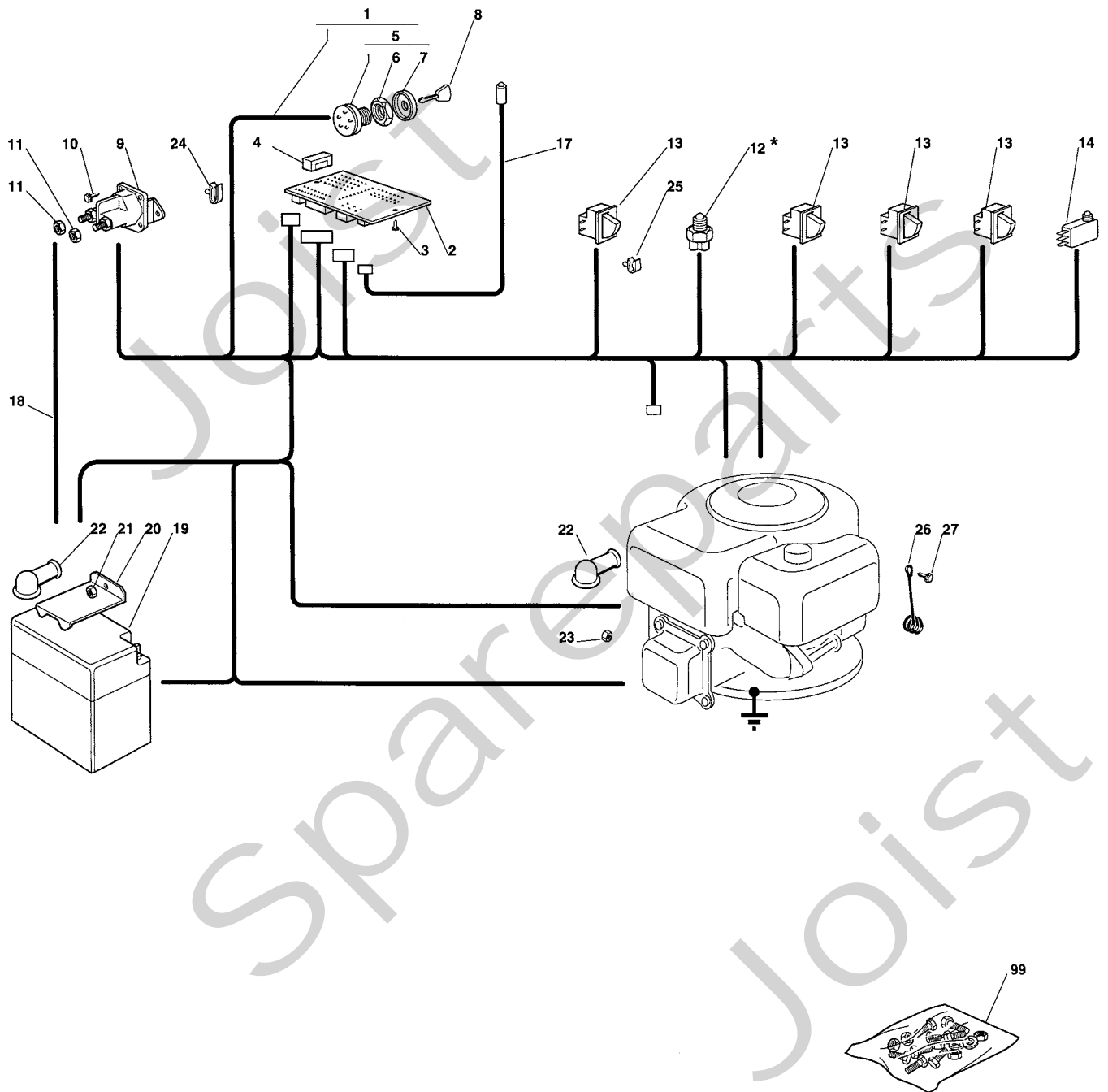


Utgåva Issue 2004-13		Bildnr Picture No 1445A		GARDEN COMBI HST BROMSREGLAGE DRIVREGLAGE		GARDEN COMBI HST BRAKE CONTROL DRIVE CONTROL		Sida Page 40	
Pos. Fig.	Antal/Quantity			Art nr Part No	Benämning	Description	Sats Kit	Anmärkning Notes	
	2512								
1	1			1136-0581-01	Bromspedal	Brake pedal			
2	1			1136-0151-01	Pedalskydd	Pedal cover			
3	1			1136-0562-01	Pedalaxel	Pedal shaft			
4	2			9997-0825-16	Skruv	Screw			
5	2			9747-0831-02	Mutter	Lock nut			
6	2			1136-0406-01	Bygel	Clamp			
7	4			9847-8119-16	Skruv	Screw			
8	1			1136-0561-01	P- bromsaxel	Parking brake shaft			
9	2			1136-0256-01	Bygel	Plate			
10	4			9847-8016-16	Skruv	Screw			
11	1			1136-0394-01	Fjäder	Spring			
12	1			1136-0392-01	Knopp	Knob			
13	1			1136-0930-01	Stång	Rod			
14	1			9799-0831-02	Mutter	Nut			
15	1			1136-0402-01	Ledbult	Pivot bolt			
16	1			1136-0218-01	Fjäder	Spring			
17	2			9699-0090-02	Planbricka	Flat washer			
18	1			1136-0084-01	Distans	Spacer			
19	1			1136-0329-01	Bygel	Clamp			
20	1			9699-0085-02	Planbricka	Flat washer			
21	1			9747-0631-02	Låsmutter	Lock nut			
22	1			1136-0095-01	Låsnål	Hair pin			
23	1			1136-0204-01	Fjäder	Spring			
24	1			1136-0094-01	Skruv	Screw			
25	2			9799-0831-02	Mutter	Nut			
26	1			1136-0386-01	Gummiplugg	Grommet			
27	1			9747-0831-02	Mutter	Lock nut			
32	1			1136-1099-01	Fäste m.lager	Bracket w.bush		Inkl. pos 33	
33	2			1136-0937-01	• Bussning	• Bush			
34	1			1136-1096-01	Arm	Lever			
35	2			1136-0088-01	Bricka	Washer			
36	1			1136-1000-01	Bygel	Clamp			
37	1			1136-1001-01	Bygel	Clamp			
38	1			1136-0089-01	Bricka	Washer			
39	1			9699-0056-02	Planbricka	Flat washer			
40	1			9712-0831-02	Låsmutter	Lock nut			
41	1			1136-0996-01	Sektor	Sector			
42	1			1136-0824-01	Skruv	Screw			
43	1			1136-0806-01	Mutter	Nut			
44	2			1136-0950-01	Platta	Plate			
45	2			1136-0992-01	Bricka	Washer			
46	1			1136-1098-01	Bygel	Clamp			
47	2			1136-0941-01	Kam	Cam			
48	2			9848-8013-16	Skruv	Screw			
49	1			1136-1097-01	Arm	Lever			
50	1			1136-0958-01	Fjäder	Spring			
51	1			1136-0308-01	Bricka	Washer			
52	1			1136-0806-01	Mutter	Nut			
53	1			9501-0500-00	Smörjnippel	Grease joint			
54	1			9699-0035-02	Planbricka	Flat washer			
55	1			1136-0577-01	Växelspak	Gearshift lever			
56	1			1136-0212-01	Fjäder	Spring			
57	1			9997-0880-16	Skruv	Screw			
58	1			9747-0831-02	Mutter	Lock nut			
59	1			1136-0503-01	Knopp	Knob			
60	2			9997-0820-16	Skruv	Screw			
61	2			9739-0831-22	Mutter	Nut			
71	1			1136-0931-01	Stång	Rod			
72	1			1136-0235-01	Ledbult	Pivot bolt			
73	1			9799-0831-02	Mutter	Nut			
74	2			1136-0309-01	Bricka	Washer			
75	1			9712-0831-02	Låsmutter	Lock nut			
77	1			1136-0095-01	Låsnål	Hair pin			

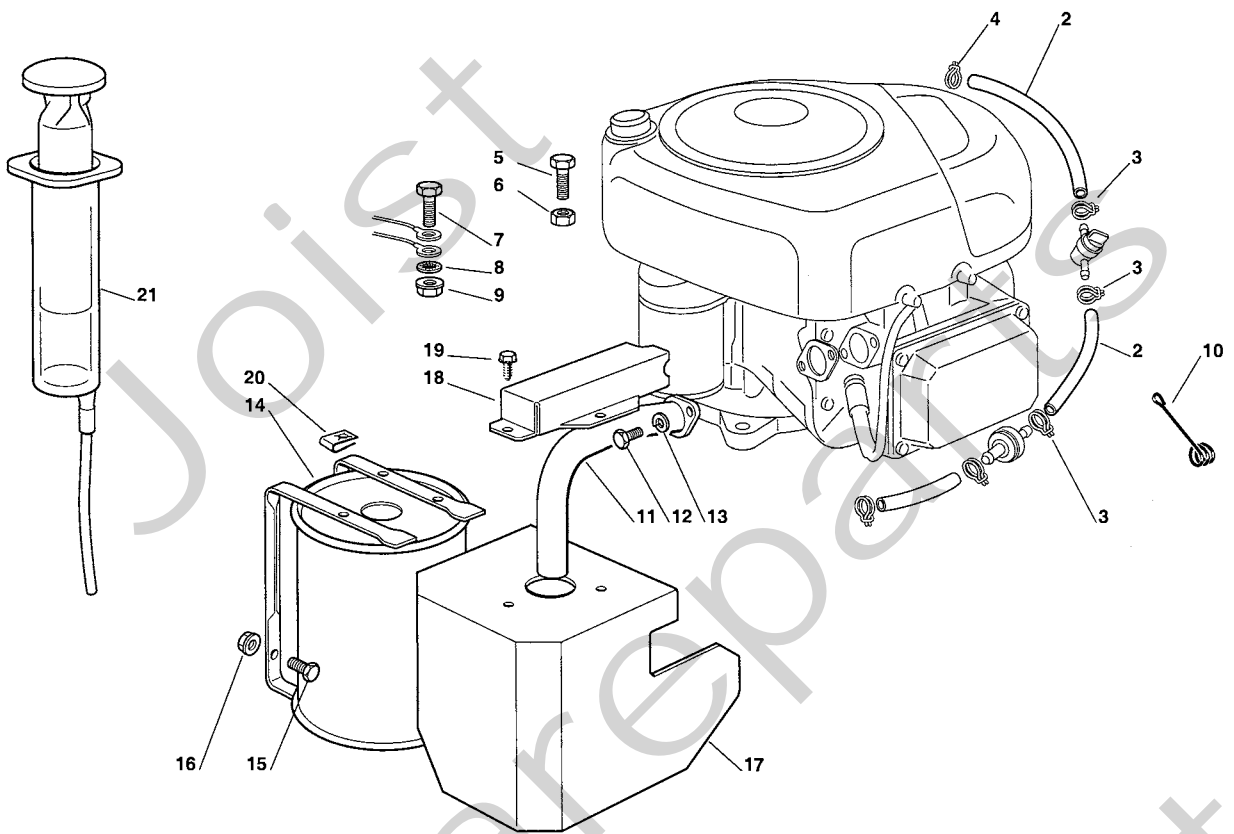




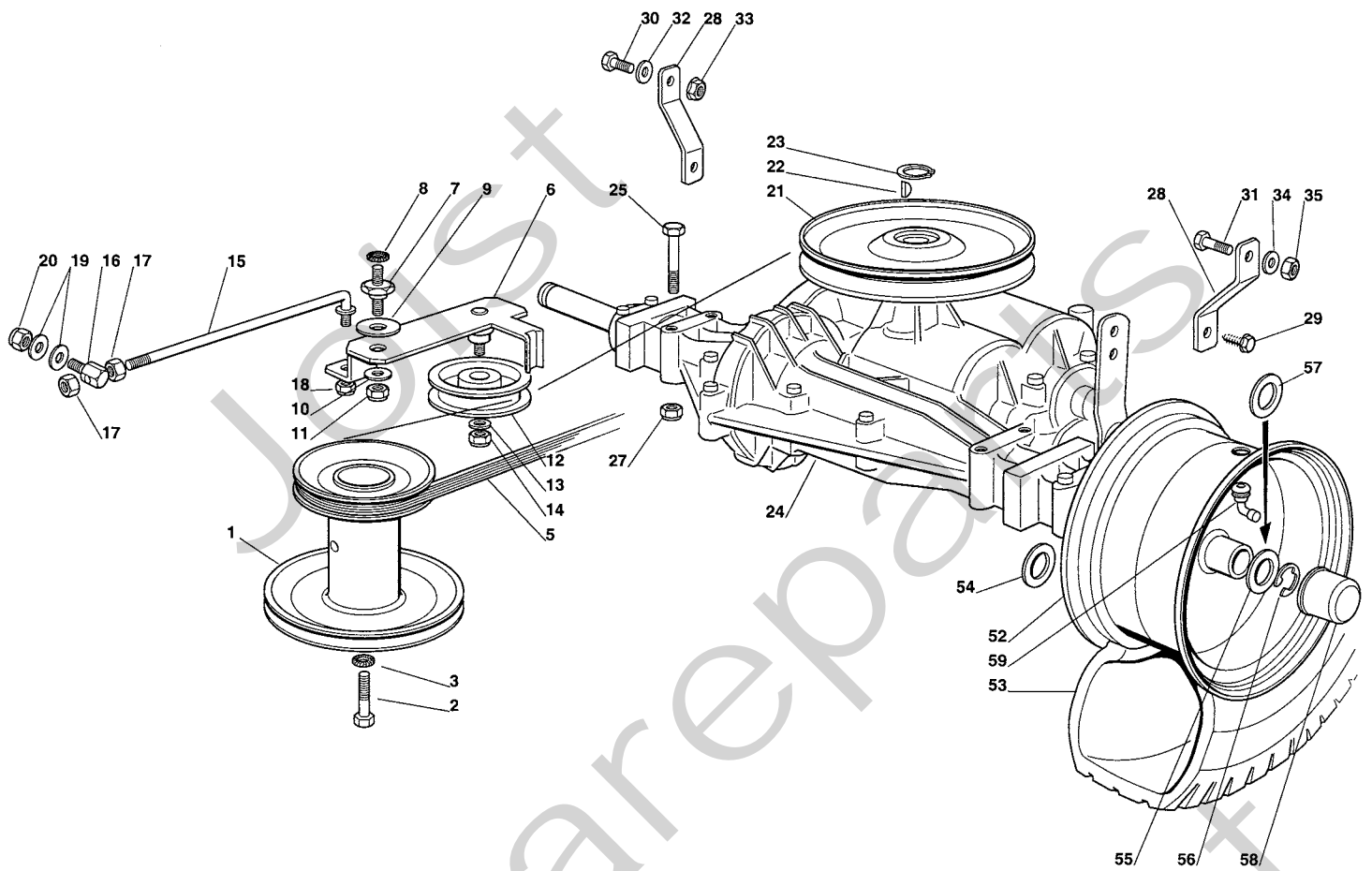
Utgåva Issue		Bildnr Picture No		GARDEN COMBI HST BROMSREGLAGE DRIVREGLAGE		GARDEN COMBI HST BRAKE CONTROL DRIVE CONTROL		Sida Page	
2004-13		1445A						42	
Pos. Fig.	Antal/Quantity			Art nr Part No	Benämning	Description	Sats Kit	Anmärkning Notes	
	2512								
80	1			1136-1072-01	Wire.....	Wire .....			
81	1			1136-1002-01	Bygel .....	Clamp.....			
82	2			9997-0620-16	Skruv .....	Screw .....			
83	2			9699-0035-02	Planbricka.....	Flat washer.....			
84	2			9739-0631-22	Mutter.....	Nut .....			
85	1			1136-0929-01	Stång .....	Rod .....			
86	1			1136-0235-01	Ledbult .....	Pivot bolt.....			
87	2			9799-0831-02	Mutter.....	Nut .....			
88	2			1136-0309-01	Bricka .....	Washer.....			
89	1			9712-0831-02	Låsmutter.....	Lock nut.....			
91	1			1136-0095-01	Låsnål.....	Hair pin .....			
92	1			9747-0831-02	Mutter.....	Lock nut.....			



Utgåva Issue 2004-13		Bildnr Picture No 1236B		GARDEN COMBI GARDEN COMBI HST ELUTRUSTNING		GARDEN COMBI GARDEN COMBI HST EL. EQUIPMENT		Sida Page 44	
Pos. Fig.	Antal/Quantity			Art nr Part No	Benämning	Description	Sats Kit	Anmärkning Notes	
	2511	2512							
X	1	1		1136-1500-01	Kabelhärva.....	Harness.....		Inkl. pos 5	
	2	1		1136-0314-01	Elektronikkort .....	Electronic card .....			
	3	2		9847-7813-16	Skruv .....	Screw .....			
	4	1		1136-0428-01	• Säkring .....	• Fuse .....		6.3 A	
	5	1		1136-0056-01	• Tändningslås .....	• Ignition switch .....		Inkl. pos 6 - 7	
	6	1		1136-0049-01	•• Mutter .....	•• Nut .....			
	7	1		1134-4097-01	•• Täckkåpa.....	•• Cap .....			
	8	1		1134-2848-01	Tändningsnyckel.....	Ignition key .....			
	9	1		1136-0064-01	Startrelä.....	Solenoid.....			
	10	2		9848-8013-16	Skruv .....	Screw .....			
	11	2		9794-5131-02	Mutter.....	Nut .....			
	12	1		786201	Brytare.....	Neutral start switch .....		Växellåda/gearbox	
	13	4		1136-0073-01	Mikrobrytare.....	Micro switch .....			
	14	1		1136-0072-01	Mikrobrytare.....	Micro switch .....		Full upps./grass bag	
	17	1		1136-0135-01	Kabel .....	Cable .....			
	18	1		1136-0376-01	Kabel .....	Cable .....			
	19	1		1134-4804-01	Batteri .....	Battery .....			
	20	1		1136-0422-01	Batterihållare .....	Battery holder .....			
	21	1		9747-0831-02	Mutter.....	Lock nut .....			
	22	2		1136-0059-01	Polskydd.....	Protection .....			
	23	1		9795-3531-02	Mutter.....	Nut .....			
	24	3		1136-0427-01	Kabelhållare.....	Cable holder .....			
	25	1		1136-0426-01	Kabelhållare.....	Cable holder .....			
X	26	1		1136-1484-01	Fjäder.....	Spring .....			
	27	1		1136-0815-01	Skruv .....	Screw .....			
	99	1		1136-1238-01	Tillbehörspåse .....	Key outfit.....		Inkl. pos 4, 8	

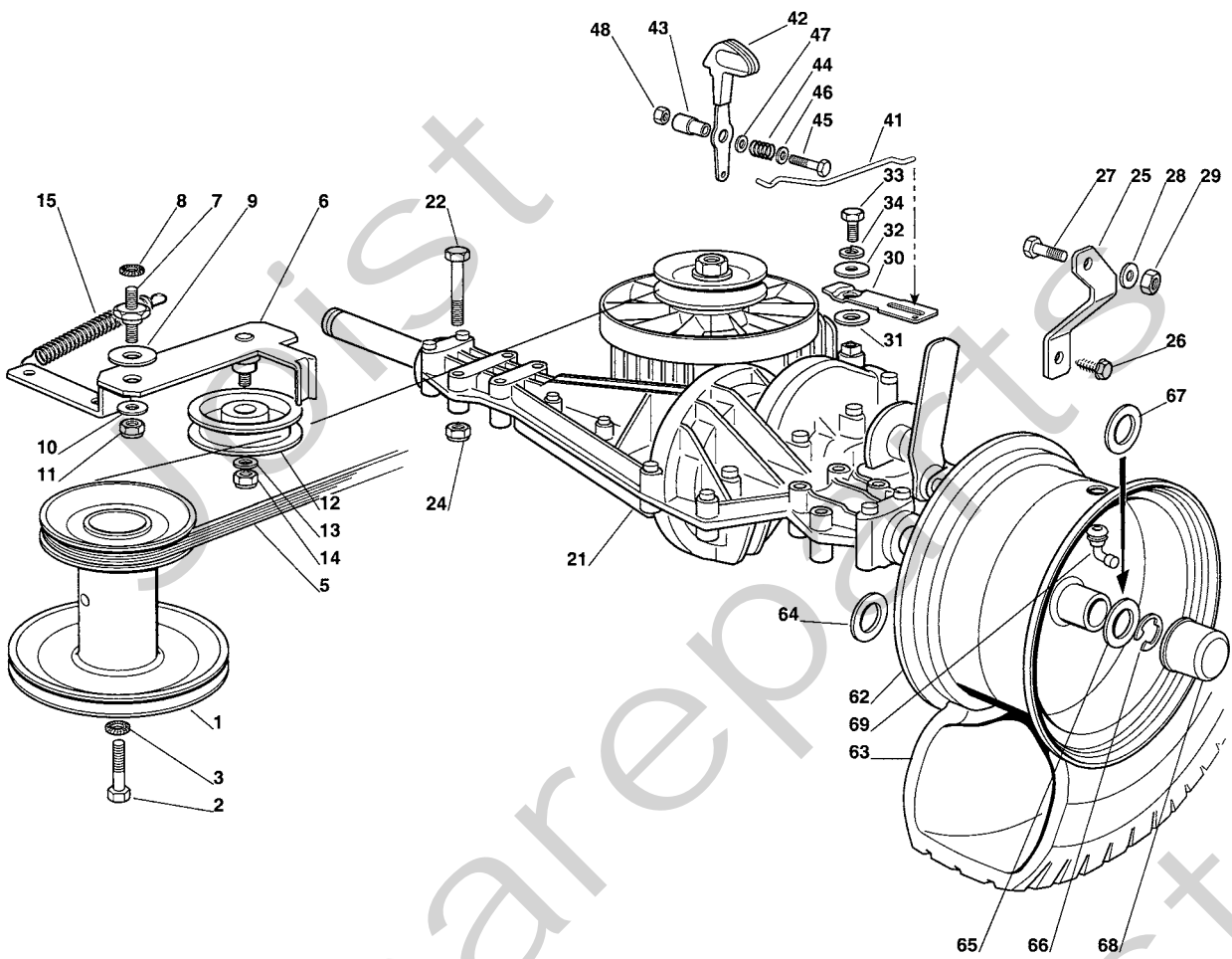


Utgåva Issue 2004-13		Bildnr Picture No 1700		GARDEN COMBI GARDEN COMBI HST MOTOR		GARDEN COMBI GARDEN COMBI HST ENGINE		Sida Page 46	
Pos. Fig.	Antal/Quantity			Art nr Part No	Benämning	Description	Sats Kit	Anmärkning Notes	
	2511	2512							
X	2	2		1136-1479-01	Slang .....	Tube .....			
	3	3		1136-0045-01	Slangklämna.....	Hose clamp .....			
	4	1		1136-0046-01	Slangklämna.....	Hose clamp .....			
	5	3		9997-0835-12	Skruv .....	Screw .....		L = 35 mm	
	6	3		9739-0831-22	Mutter.....	Nut .....			
	7	1		9997-0840-16	Skruv .....	Screw .....		L = 40 mm	
	8	1		9677-0009-02	Låsbricka .....	Lock washer .....			
	9	1		9739-0831-22	Mutter.....	Nut .....			
	10	1		1136-0892-01	Fjäder.....	Spring .....			
X	11	1		1136-1468-01	Avgasrör .....	Exhaust conn. tube .....			
X	12	2		1136-1466-01	Skruv .....	Screw .....			
	13	2		9683-0030-02	Låsbricka .....	Lock washer .....			
X	14	1		1136-1494-01	Ljuddämpare .....	Muffler .....			
	15	2		9997-0820-16	Skruv .....	Screw .....			
	16	2		9739-0831-22	Mutter.....	Nut .....			
X	17	1		1136-1503-01	Ljuddämparskydd .....	Muffler protection .....			
X	18	1		1136-1489-01	Skydd .....	Protection .....			
	19	3		9847-8116-16	Skruv .....	Screw .....			
X	20	3		1136-1464-01	Låsplatta.....	Lock plate .....			
	21	1		1134-3898-01	Oljepump .....	Oil pump .....			



Utgåva Issue		Bildnr Picture No		GARDEN COMBI TRANSMISSION		GARDEN COMBI TRANSMISSION		Sida Page	
2004-13		1231A						48	
Pos. Fig.	Antal/Quantity			Art nr Part No	Benämning	Description	Sats Kit	Anmärkning Notes	
	2511								
1	1			1136-0418-01	Motorremskiva .....	Engine belt pulley .....			
2	1			9987-5351-12	Skruv .....	Screw .....			
3	1			9683-0045-02	Bricka .....	Washer .....			
5	1			1136-0430-01	Kilrem .....	V-belt .....			
6	1			1136-0578-01	Spännarm .....	Tension arm .....			
7	1			1136-0400-01	Pinnbult .....	Stud bolt .....			
8	1			9677-0009-02	Låsbricka .....	Lock washer .....			
9	1			1136-0088-01	Bricka .....	Washer .....			
10	1			1136-0309-01	Bricka .....	Washer .....			
11	1			9712-0831-02	Låsmutter .....	Lock nut .....			
12	1			1136-0289-01	Spännrulle .....	Idler pulley .....			
13	1			9699-0056-02	Planbricka .....	Flat washer .....			
14	1			9747-0831-02	Mutter .....	Lock nut .....			
15	1			1136-0367-01	Spännstång .....	Tie rod .....			
16	1			1136-0235-01	Ledbult .....	Pivot bolt .....			
17	2			9799-0831-02	Mutter .....	Nut .....			
18	1			9747-0831-02	Mutter .....	Lock nut .....			
19	2			1136-0309-01	Bricka .....	Washer .....			
20	1			9747-0831-02	Mutter .....	Lock nut .....			
21	1			1136-0520-01	Remskiva .....	Belt pulley .....			
22	1			9600-0050-00	Woodruffkil .....	Key .....			
23	1			9650-0016-04	Spärring .....	Lock ring .....			
24	1			1136-0051-01	Transaxel .....	Transaxle .....			
25	4			9997-0860-16	Skruv .....	Screw .....			
27	4			9739-0831-22	Mutter .....	Nut .....			
28	2			1136-0420-01	Momentstag .....	Stay .....			
29	2			1136-0017-01	Skruv .....	Screw .....			
30	1			9997-0820-16	Skruv .....	Screw .....			
31	1			9997-0825-16	Skruv .....	Screw .....			
32	1			9699-0056-02	Planbricka .....	Flat washer .....			
33	1			9739-0831-22	Mutter .....	Nut .....			
34	1			9699-0090-02	Planbricka .....	Flat washer .....			
35	1			9747-0831-02	Mutter .....	Lock nut .....			
52	2			1136-0568-01	Fälg .....	Rim .....			
53	2			1136-0410-01	Däck (Turf Saver) .....	Tire (Turf Saver) .....			
53	2			1136-0412-01	Däck (Deli) .....	Tire (Deli) .....			
54	2			9699-0119-02	Bricka .....	Washer .....			
55	2			1136-0305-01	Bricka .....	Washer .....			
56	2			9652-0015-04	Låsring .....	Retaining ring .....			
57	2-4			9695-0015-00	Bricka .....	Washer .....			
58	2			1136-0081-01	Navkapsel .....	Hub cap .....			
59	2			1136-0359-01	Ventil .....	Valve .....			

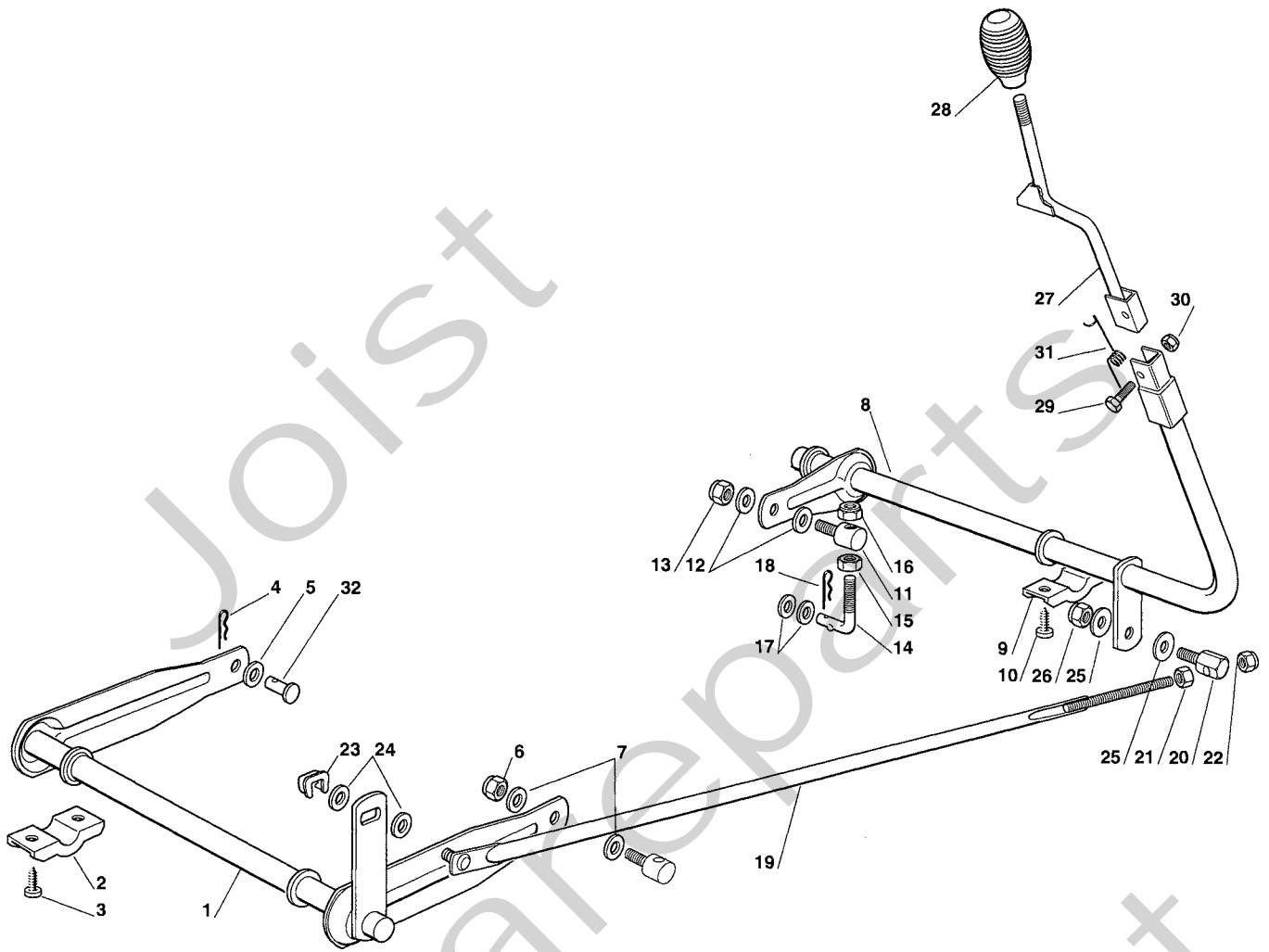
Peerless MST 205-541



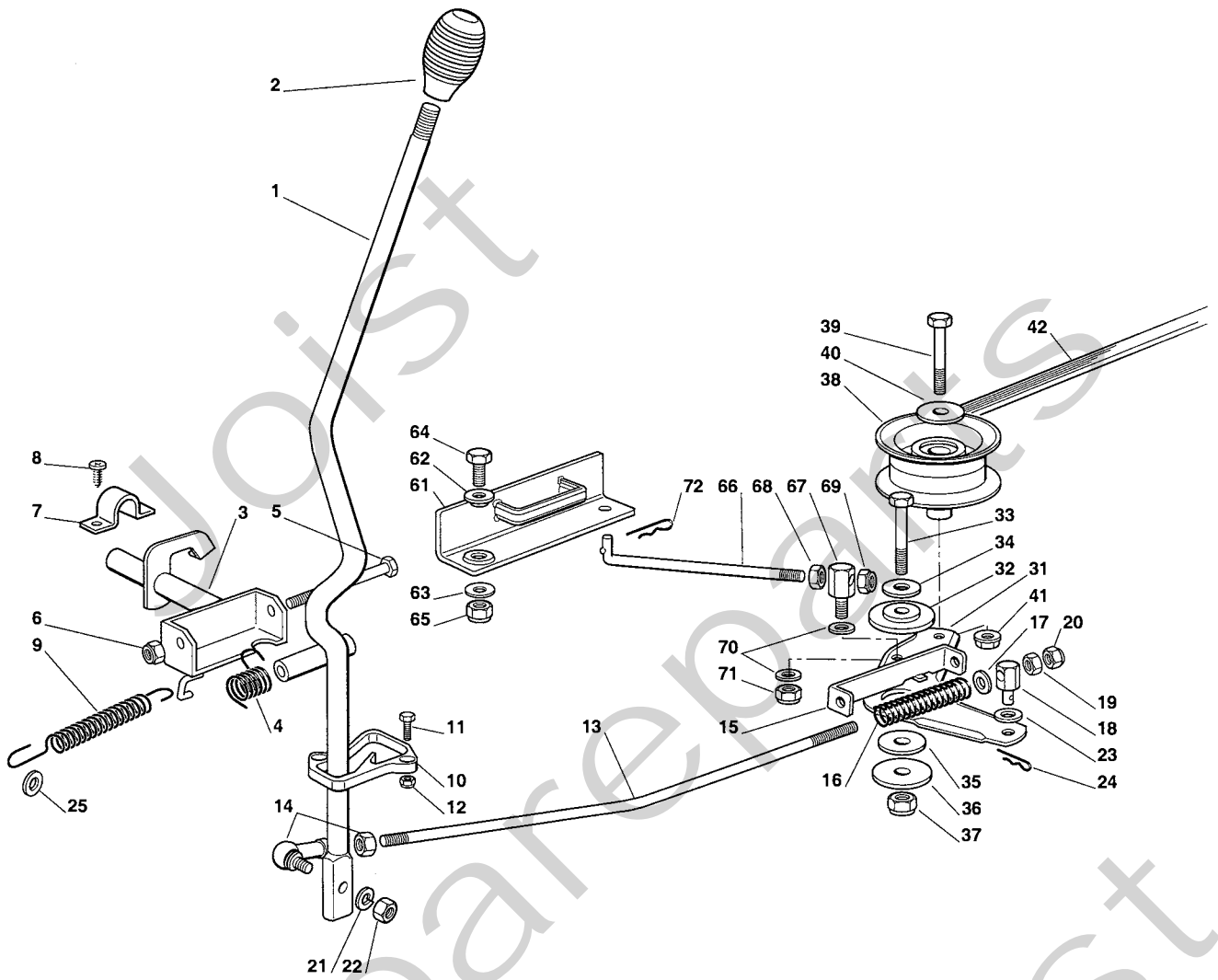


Utgåva Issue		Bildnr Picture No		GARDEN COMBI HST TRANSMISSION		GARDEN COMBI HST TRANSMISSION		Sida Page	
2004-13		1446B						50	
Pos. Fig.	Antal/Quantity			Art nr Part No	Benämning	Description	Sats Kit	Anmärkning Notes	
	2512								
1	1			1136-0418-01	Motorremskiva .....	Engine belt pulley .....			
2	1			9987-5351-12	Skruv .....	Screw .....			
3	1			9683-0045-02	Bricka .....	Washer .....			
5	1			1136-1020-01	Drivrem .....	Drive belt .....			
6	1			1136-1079-01	Spännarm .....	Tension lever .....			
7	1			1136-0400-01	Pinnbult .....	Stud bolt .....			
8	1			9677-0009-02	Låsbricka .....	Lock washer .....			
9	1			1136-0088-01	Bricka .....	Washer .....			
10	1			1136-0309-01	Bricka .....	Washer .....			
11	1			9712-0831-02	Låsmutter .....	Lock nut .....			
12	1			1136-0289-01	Spännrulle .....	Idler pulley .....			
13	1			9699-0056-02	Planbricka .....	Flat washer .....			
14	1			9747-0831-02	Mutter .....	Lock nut .....			
15	1			1136-0860-01	Fjäder .....	Spring .....			
21	1			1136-1222-01	Transmission .....	Transmission .....		Peerless LTH 2000	
22	4			9997-0860-16	Skruv .....	Screw .....			
24	4			9739-0831-22	Mutter .....	Nut .....			
25	1			1136-1003-01	Bygel .....	Clamp .....			
26	1			1136-0017-01	Skruv .....	Screw .....			
27	1			9997-0825-16	Skruv .....	Screw .....			
28	1			9699-0090-02	Planbricka .....	Flat washer .....			
29	1			9747-0831-02	Mutter .....	Lock nut .....			
30	1			1136-1260-01	Arm .....	Lever .....			
31	1			9699-0037-02	Bricka .....	Washer .....			
32	1			9699-0085-02	Planbricka .....	Flat washer .....			
33	1			9987-5016-16	Skruv .....	Screw .....			
34	1			9683-0025-02	Låsbricka .....	Lock washer .....			
41	1			1136-1481-01	Stag .....	Rod .....			
42	1			1136-1502-01	Spak .....	Lever .....			
43	1			1136-1486-01	Axel .....	Pin .....			
44	1			1136-0200-01	Fjäder .....	Spring .....			
45	1			9997-0645-12	Skruv .....	Screw .....			
46	1			9699-0035-02	Planbricka .....	Flat washer .....			
47	1			9699-0035-02	Planbricka .....	Flat washer .....			
48	1			9799-0631-02	Mutter .....	Nut .....			
62	2			1136-0568-01	Fälg .....	Rim .....			
63	2			1136-0410-01	Däck (Turf Saver) .....	Tire (Turf Saver) .....			
63	2			1136-0412-01	Däck (Deli) .....	Tire (Deli) .....			
64	2			9699-0119-02	Bricka .....	Washer .....			
65	2			1136-0305-01	Bricka .....	Washer .....			
66	2			9652-0015-04	Låsring .....	Retaining ring .....			
67	0-4			9695-0015-00	Bricka .....	Washer .....			
68	2			1136-0081-01	Navkapsel .....	Hub cap .....			
69	2			1136-0359-01	Ventil .....	Valve .....			

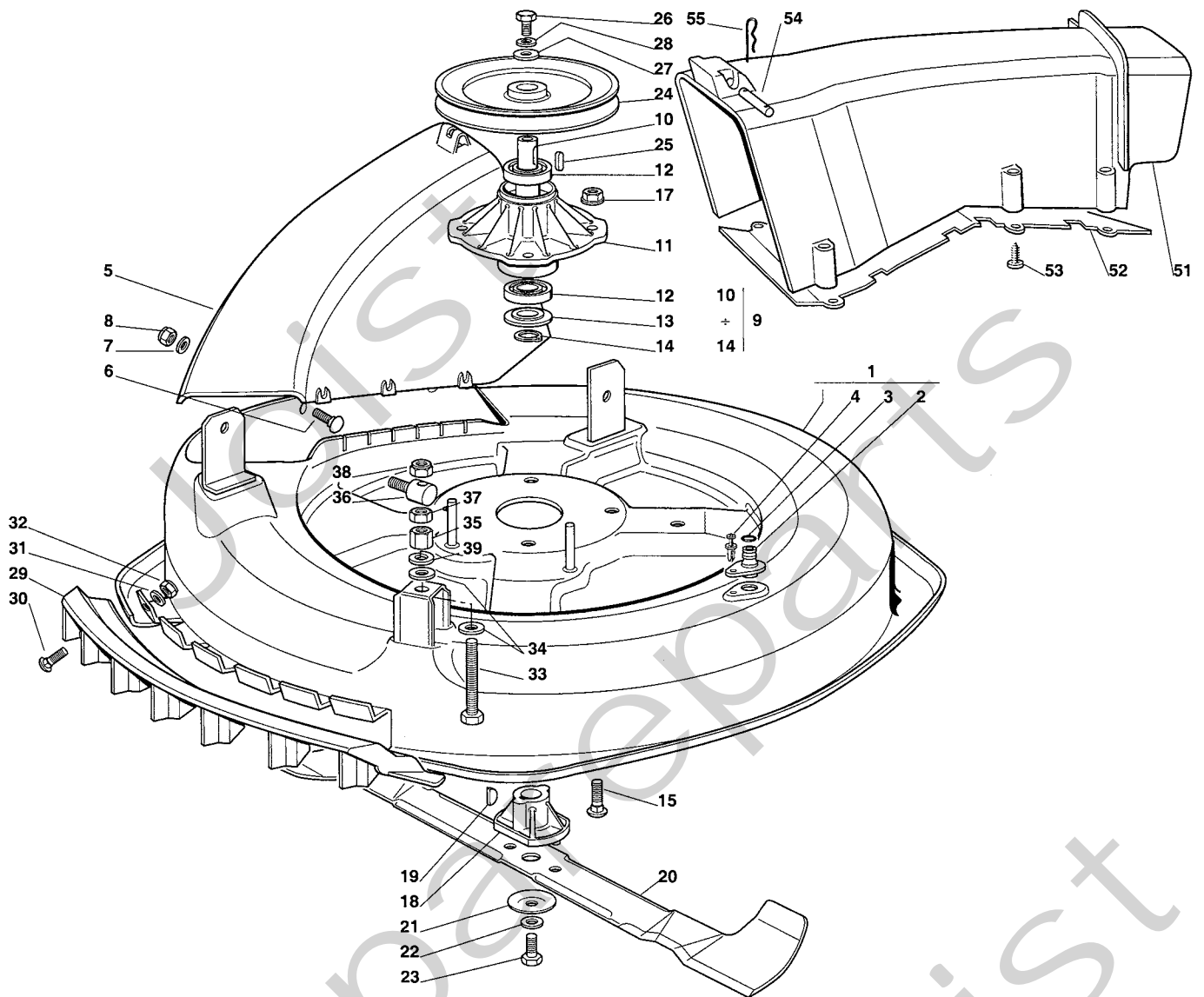
X  
X  
X



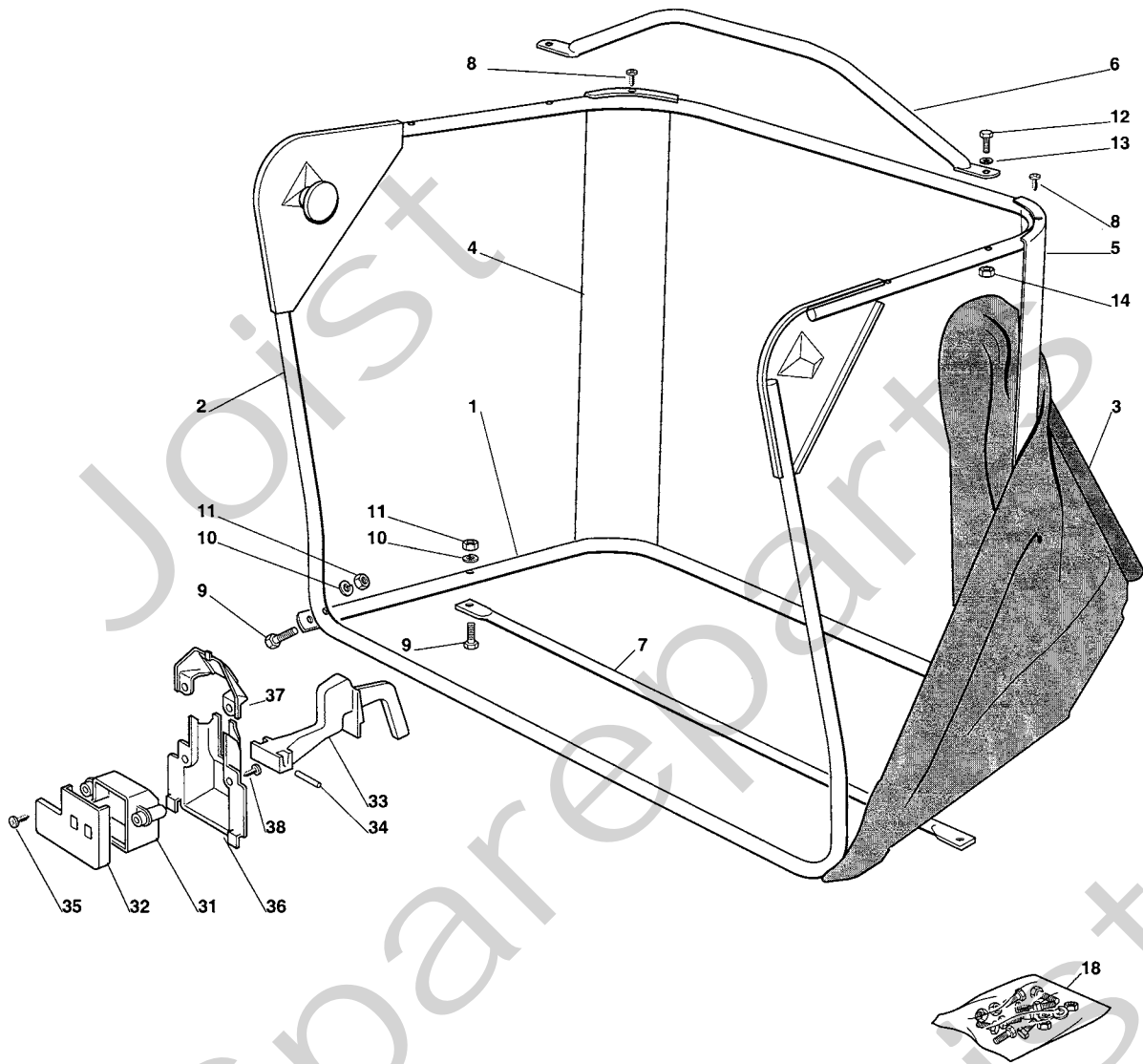
Utgåva Issue 2004-13		Bildnr Picture No 1232B		GARDEN COMBI GARDEN COMBI HST AGGREGATSLYFT		GARDEN COMBI GARDEN COMBI HST MOWER DECK LIFT		Sida Page 52	
Pos. Fig.	Antal/Quantity			Art nr Part No	Benämning	Description	Sats Kit	Anmärkning Notes	
	2511	2512							
1	1			1136-1291-01	Lyftaxel .....	Lift axle .....			
2	2			1136-0406-01	Bygel .....	Clamp .....			
3	4			9847-8119-16	Skruv .....	Screw .....			
4	1			1136-0095-01	Låsnål .....	Hair pin .....			
5	1			1136-0308-01	Bricka .....	Washer .....			
6	1			9747-1031-02	Låsmutter .....	Lock nut .....			
7	2			1136-0308-01	Bricka .....	Washer .....			
8	1			1136-0559-01	Lyftaxel .....	Lift axle .....			
9	2			1136-0406-01	Bygel .....	Clamp .....			
10	4			9847-8119-16	Skruv .....	Screw .....			
11	1			1136-0226-01	Ledbult .....	Pivot bolt .....			
12	2			1136-0308-01	Bricka .....	Washer .....			
13	1			9747-1031-02	Låsmutter .....	Lock nut .....			
14	1			1136-0347-01	Lyftlänk .....	Lift tie rod .....			
15	1			9799-1031-02	Mutter .....	Nut .....			
16	1			9747-1031-02	Låsmutter .....	Lock nut .....			
17	2			1136-0087-01	Bricka .....	Washer .....			
18	1			1136-0095-01	Låsnål .....	Hair pin .....			
19	1			1136-0563-01	Lyftstång .....	Lift rod .....			
20	1			1136-0235-01	Ledbult .....	Pivot bolt .....			
21	1			9799-0831-02	Mutter .....	Nut .....			
22	1			9747-0831-02	Mutter .....	Lock nut .....			
23	1			1136-0009-01	Låsplatta .....	Lock plate .....			
24	2			1136-0309-01	Bricka .....	Washer .....			
25	2			1136-0309-01	Bricka .....	Washer .....			
26	1			9747-0831-02	Mutter .....	Lock nut .....			
27	1			1136-0579-01	Lyftspak .....	Lift lever .....			
28	1			1136-0197-01	Handtag .....	Knob .....			
29	1			9997-0635-12	Skruv .....	Screw .....			
30	1			9747-0631-02	Låsmutter .....	Lock nut .....			
31	1			1136-0396-01	Fjäder .....	Spring .....			
32	1			1136-1268-01	Sprint .....	Pin .....			



Utgåva Issue 2004-13		Bildnr Picture No 1233B		GARDEN COMBI GARDEN COMBI HST AGGREGATSINKOPPLING		GARDEN COMBI GARDEN COMBI HST MOWER DECK ENGAGEMENT		Sida Page 54	
Pos. Fig.	Antal/Quantity			Art nr Part No	Benämning	Description	Sats Kit	Anmärkning Notes	
	2511 2512								
1	1			1136-0580-01	Inkopplingsspak .....	PTO lever .....			
2	1			1136-0197-01	Handtag .....	Knob .....			
3	1			1136-0560-01	Axel .....	Axle .....			
4	1			1136-0212-01	Fjäder .....	Spring .....			
5	1			9997-0880-16	Skruv .....	Screw .....			
6	1			9747-0831-02	Mutter .....	Lock nut .....			
7	2			1136-0256-01	Bygel .....	Plate .....			
8	4			9847-8016-16	Skruv .....	Screw .....			
9	1			1136-0964-01	Fjäder .....	Spring .....			
10	1			1136-0398-01	Glidblock .....	Shoe .....			
11	2			9997-0616-16	Skruv .....	Screw .....			
12	2			9747-0631-02	Låsmutter .....	Lock nut .....			
13	1			1136-1252-01	Stång .....	Rod .....			
14	1			1136-0093-01	Kulled .....	Ball joint .....			
15	1			1136-1275-01	Bygel .....	Clamp .....			
16	1			1136-1265-01	Fjäder .....	Spring .....			
17	1			9699-0090-02	Planbricka .....	Flat washer .....			
18	1			1136-1267-01	Ledbult .....	Pivot pin .....			
19	1			9799-0831-02	Mutter .....	Nut .....			
20	1			9747-0831-02	Mutter .....	Lock nut .....			
21	1			9683-0030-02	Låsbricka .....	Lock washer .....			
22	1			9799-0831-02	Mutter .....	Nut .....			
23	1			1136-0308-01	Bricka .....	Washer .....			
24	1			1136-0095-01	Låsnål .....	Hair pin .....			
25	1			1136-0306-01	Bricka .....	Washer .....			
31	1			1136-1253-01	Arm .....	Lever .....			
32	1			1136-0373-01	Bussning .....	Bushing .....			
33	1			9997-0845-12	Skruv .....	Screw .....			
34	1			9699-0056-02	Planbricka .....	Flat washer .....			
35	1			1136-0089-01	Bricka .....	Washer .....			
36	1			1136-0014-01	Bricka .....	Washer .....			
37	1			9747-0831-02	Mutter .....	Lock nut .....			
38	1			1136-1271-01	Spännrulle .....	Idler pulley .....			
39	1			1136-1213-01	Skruv .....	Screw .....			
40	1			9699-0056-02	Planbricka .....	Flat washer .....			
41	1			9739-0831-22	Mutter .....	Nut .....			
42	1			1136-0431-01	Kilrem .....	V-belt .....			
61	1			1136-0574-01	Knivbroms .....	Blade brake .....			
62	1			1136-0079-01	Bussning .....	Bushing .....			
63	1			1136-0089-01	Bricka .....	Washer .....			
64	1			9997-0820-16	Skruv .....	Screw .....			
65	1			9712-0831-02	Låsmutter .....	Lock nut .....			
66	1			1136-1251-01	Stång .....	Rod .....			
67	1			1136-0235-01	Ledbult .....	Pivot bolt .....			
68	1			9799-0831-02	Mutter .....	Nut .....			
69	1			9747-0831-02	Mutter .....	Lock nut .....			
70	2			1136-0309-01	Bricka .....	Washer .....			
71	1			9747-0831-02	Mutter .....	Lock nut .....			
72	1			1136-0095-01	Låsnål .....	Hair pin .....			

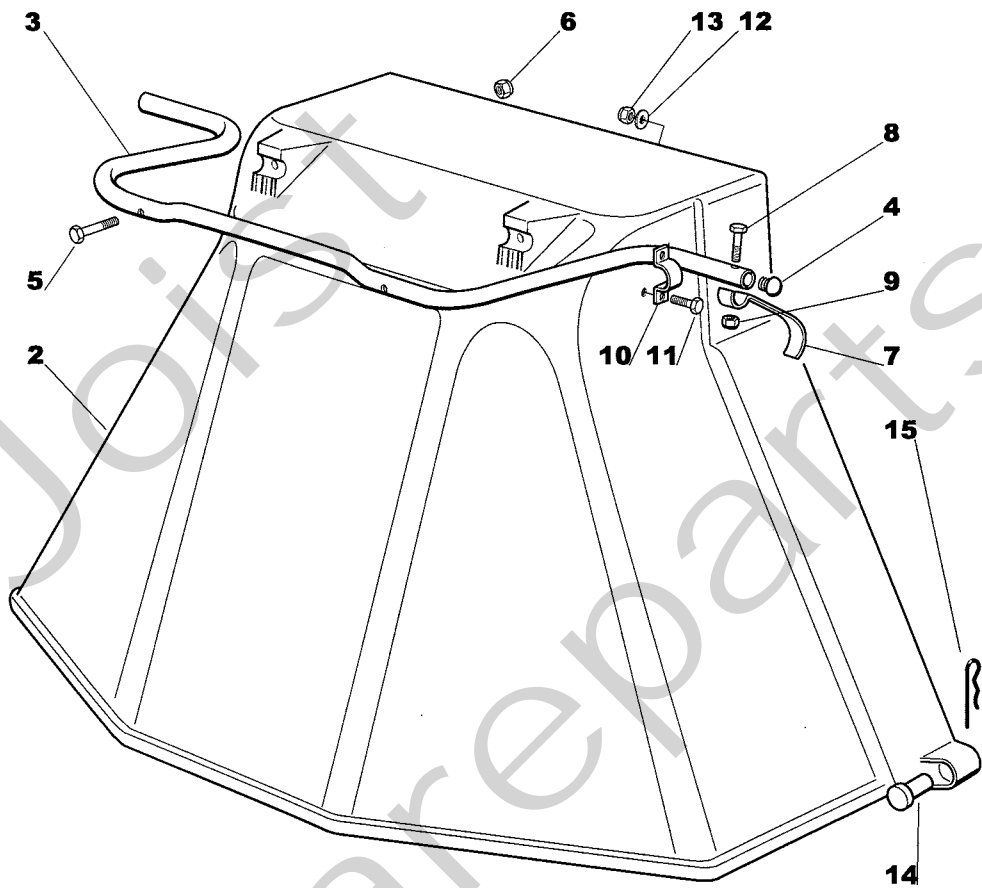


Utgåva Issue		Bildnr Picture No		GARDEN COMBI GARDEN COMBI HST KLIPPAGGREGAT		GARDEN COMBI GARDEN COMBI HST MOWER DECK		Sida Page	
2004- 13		1234A						56	
Pos. Fig.	Antal/Quantity			Art nr Part No	Benämning	Description	Sats Kit	Anmärkning Notes	
	2511	2512							
1	1			1136-1261-01	Klippaggregatskåpa .....	Mower deck casing .....		Inkl. pos 2 - 4	
2	1			1136-0120-01	• Vattenslangnippel .....	• Water hose connection.....			
3	1			1136-0068-01	• O- ring.....	• O- ring .....			
4	1			1136-0012-01	• Nit.....	• Rivet.....			
5	1			1136-0372-01	Utkasttratt.....	Conveyor inlet .....			
6	6			9898-0620-16	Skruv .....	Screw .....			
7	6			9699-0060-02	Planbricka .....	Flat washer .....			
8	6			9747-0631-02	Låsmutter .....	Lock nut .....			
9	1			1136-0573-01	Lagerbox kpl.....	Bearing box assy.....		Inkl. pos 10 - 14	
10	1			1136-0364-01	• Knivaxel .....	• Blade shaft .....			
12	2			1136-0069-01	• Kullager .....	• Ball bearing .....			
13	1			1136-0176-01	• Dammskydd .....	• Dust cover.....			
14	1			9650-0020-04	• Spårring.....	• Circlip .....			
15	4			9898-0825-16	Skruv .....	Screw .....			
17	4			9739-0831-22	Mutter .....	Nut .....			
18	1			1136-0221-01	Knivfäste .....	Blade hub .....			
19	1			9600-0014-00	Kil .....	Key .....			
20	1			1136-1295-01	Kniv .....	Blade .....			
21	1			1136-0083-01	Fjäderbricka .....	Elastic washer .....			
22	1			1136-0015-01	Bricka .....	Washer .....			
23	1			9987-5238-12	Knivbult .....	Blade bolt .....			
24	1			1136-1272-01	Remskiva .....	Belt pulley .....			
25	1			1136-0001-01	Kil .....	Key .....			
26	1			9997-0820-16	Skruv .....	Screw .....			
27	1			1136-0307-01	Bricka .....	Washer .....			
28	1			9683-0030-02	Låsbricka .....	Lock washer.....			
29	1			1136-0399-01	Luftintag .....	Air intake grill.....			
30	4			9898-0616-16	Skruv .....	Screw .....			
31	4			9699-0028-02	Planbricka .....	Flat washer.....			
32	4			9747-0631-02	Låsmutter .....	Lock nut .....			
33	1			9997-1090-12	Skruv .....	Screw .....			
34	2			1136-0015-01	Bricka .....	Washer .....			
35	1			1136-0002-01	Mutter .....	Nut .....			
36	1			1136-0226-01	Ledbult .....	Pivot bolt.....			
37	1			9799-1031-02	Mutter .....	Nut .....			
38	1			9747-1031-02	Låsmutter .....	Lock nut .....			
39	1			9683-0040-02	Låsbricka .....	Lock washer.....			
51	1			1136-0377-01	Utkaströr .....	Conveyor .....			
52	1			1136-0384-01	Deflektor .....	Deflector .....			
53	8			9836-9618-12	Skruv .....	Screw .....			
54	1			1136-0401-01	Axel .....	Pin .....			
55	2			1136-0095-01	Låsnål .....	Hair pin .....			



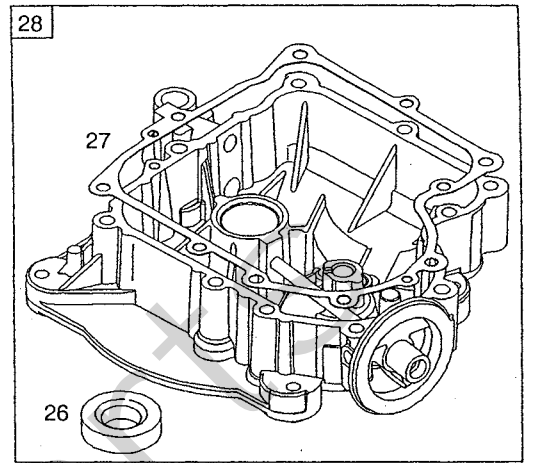
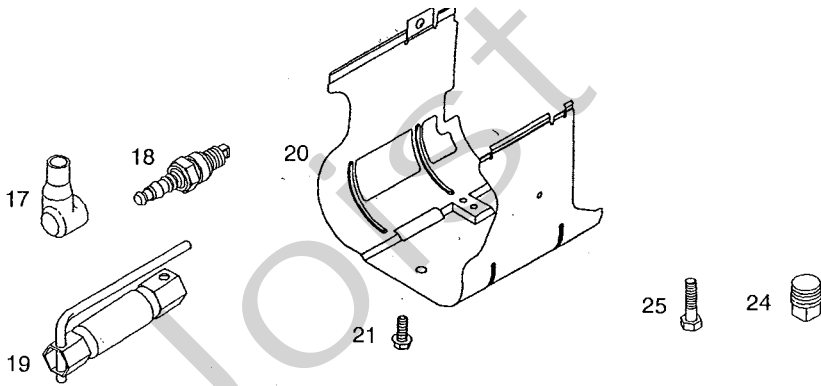
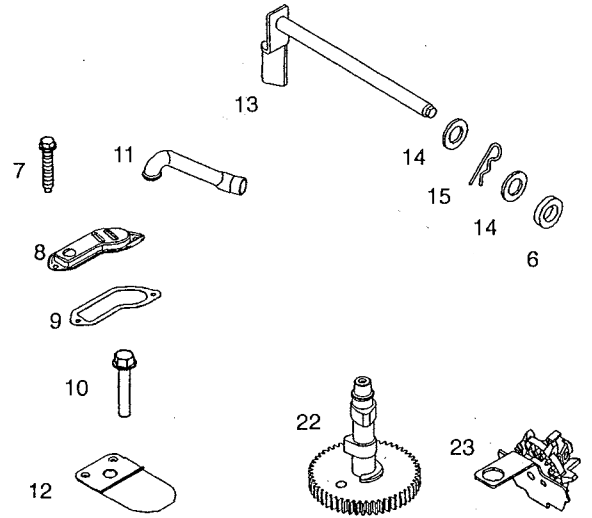
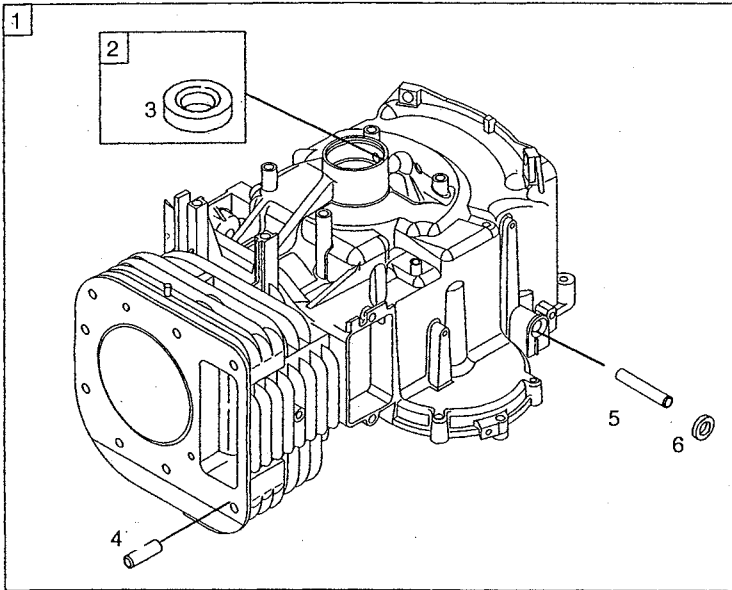


Utgåva Issue		Bildnr Picture No		GARDEN COMBI GARDEN COMBI HST UPPSAMLARE		GARDEN COMBI GARDEN COMBI HST GRASS CATCHER		Sida Page	
2004-13		1235B						58	
Pos. Fig.	Antal/Quantity			Art nr Part No	Benämning	Description	Sats Kit	Anmärkning Notes	
	2511	2512							
1	1			1136-0593-01	Ram- nedre .....	Frame- lower .....			
2	1			1136-0594-01	Ram- övre .....	Frame- upper .....			
3	1			1136-0569-01	Uppsamlings säck .....	Grass bag .....			
4	1			1136-0362-01	Vinkelstöd- hö .....	Angle support- RH .....			
5	1			1136-0363-01	Vinkelstöd- vä .....	Angle support- LH .....			
6	1			1136-0264-01	Stag .....	Rod .....			
7	1			1136-0587-01	Förstärkningsstag .....	Reinforcement rod .....			
8	4			9847-8116-16	• Skruv .....	• Screw .....			
9	4			9997-0630-12	• Skruv .....	• Screw .....			
10	4			9683-0010-02	• Bricka .....	• Washer .....			
11	4			9799-0631-02	• Mutter .....	• Nut .....			
12	2			9997-0635-12	• Skruv .....	• Screw .....			
13	2			9699-0035-02	• Planbricka .....	• Flat washer .....			
14	2			9747-0631-02	• Låsmutter .....	• Lock nut .....			
18	1			1136-0601-01	Skruvsats .....	Screw set .....		Inkl. pos 8 - 14	
31	1			1136-0280-01	Brytarskydd .....	Micro protection .....			
32	1			1136-0281-01	Skyddslock .....	Protection cover .....			
33	1			1136-0186-01	Brytarm .....	Switch lever .....			
34	1			1136-0007-01	Axel .....	Pin .....			
35	1			9847-8013-16	Skruv .....	Screw .....			
36	1			1136-0282-01	Brytarskydd .....	Micro protection .....			
37	1			1136-0283-01	Skyddslock .....	Protection cover .....			
38	2			9847-8013-16	Skruv .....	Screw .....			

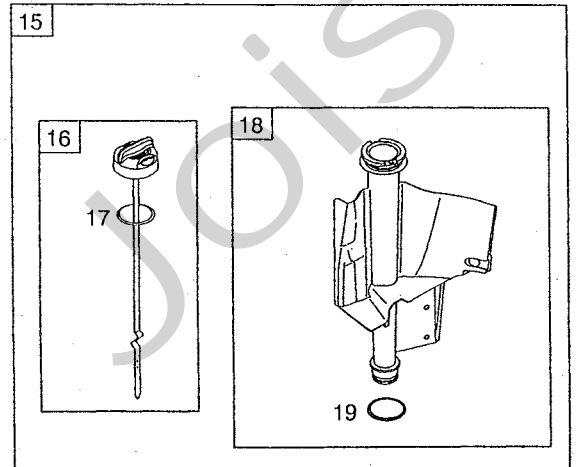
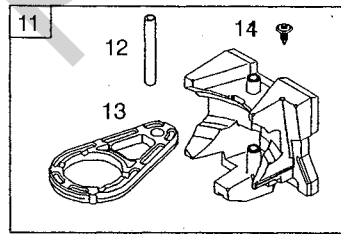
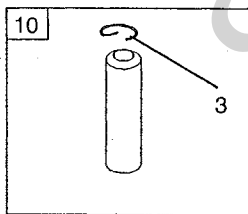
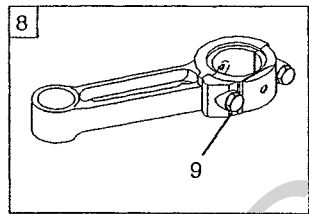
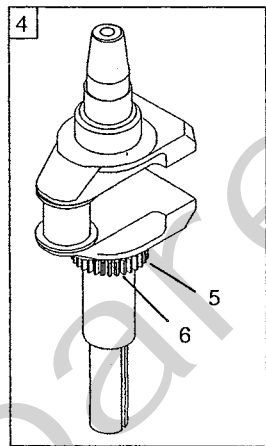
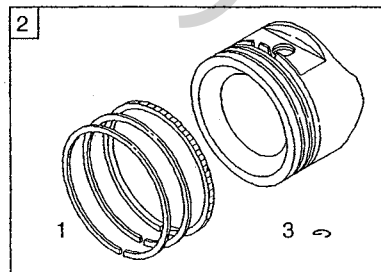


Utgåva Issue		Bildnr Picture No		DEFLEKTOR ART.NR 13-0916-11		DEFLECTOR ART.NR 13-0916-11		Sida Page	
2004-13		1248						150	
Pos. Fig.	Antal/Quantity			Art nr Part No	Benämning	Description	Sats Kit	Anmärkning Notes	
	0916								
2	1			1136-0584-01	Utkastskydd.....	Ejection guard.....			
3	1			1136-0425-01	Stödrör.....	Support.....			
4	2			1136-0062-01	Plugg.....	Cap.....			
5	2			9997-0635-12	Skruv.....	Screw.....			
6	2			9747-0631-02	Låsmutter.....	Lock nut.....			
7	1			1136-0257-01	Bygel.....	Plate.....			
8	1			9997-0625-16	Skruv.....	Screw.....			
9	1			9747-0631-02	Låsmutter.....	Lock nut.....			
10	2			1136-0256-01	Bygel.....	Plate.....			
11	4			9997-0516-16	Skruv.....	Screw.....			
12	4			9699-0018-02	Bricka.....	Washer.....			
13	4			9747-0531-02	Mutter.....	Nut.....			
14	2			1136-0229-01	Sprint.....	Pin.....			
15	2			9598-0002-02	Låsnål.....	Pin lock.....			

A

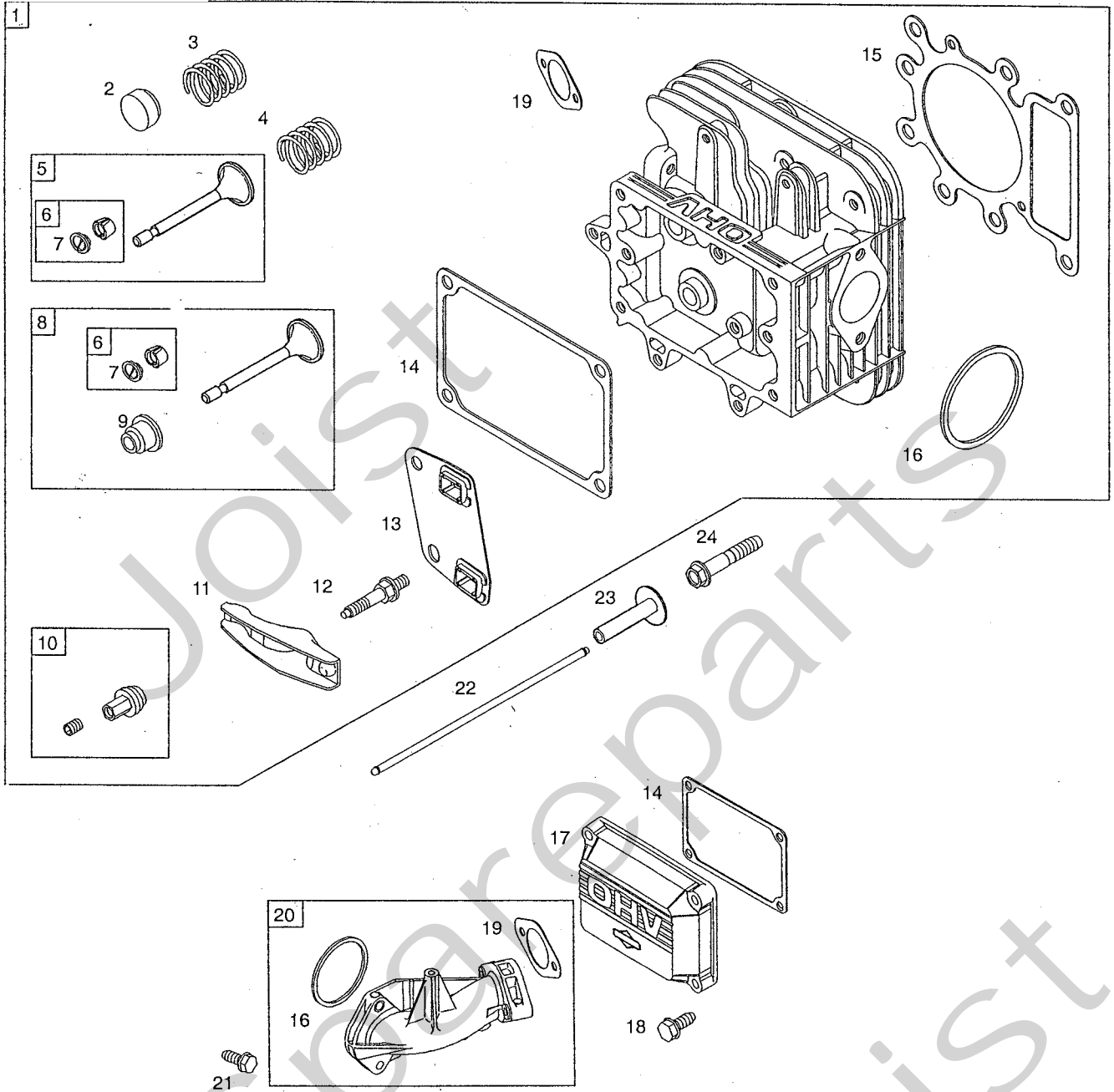


B



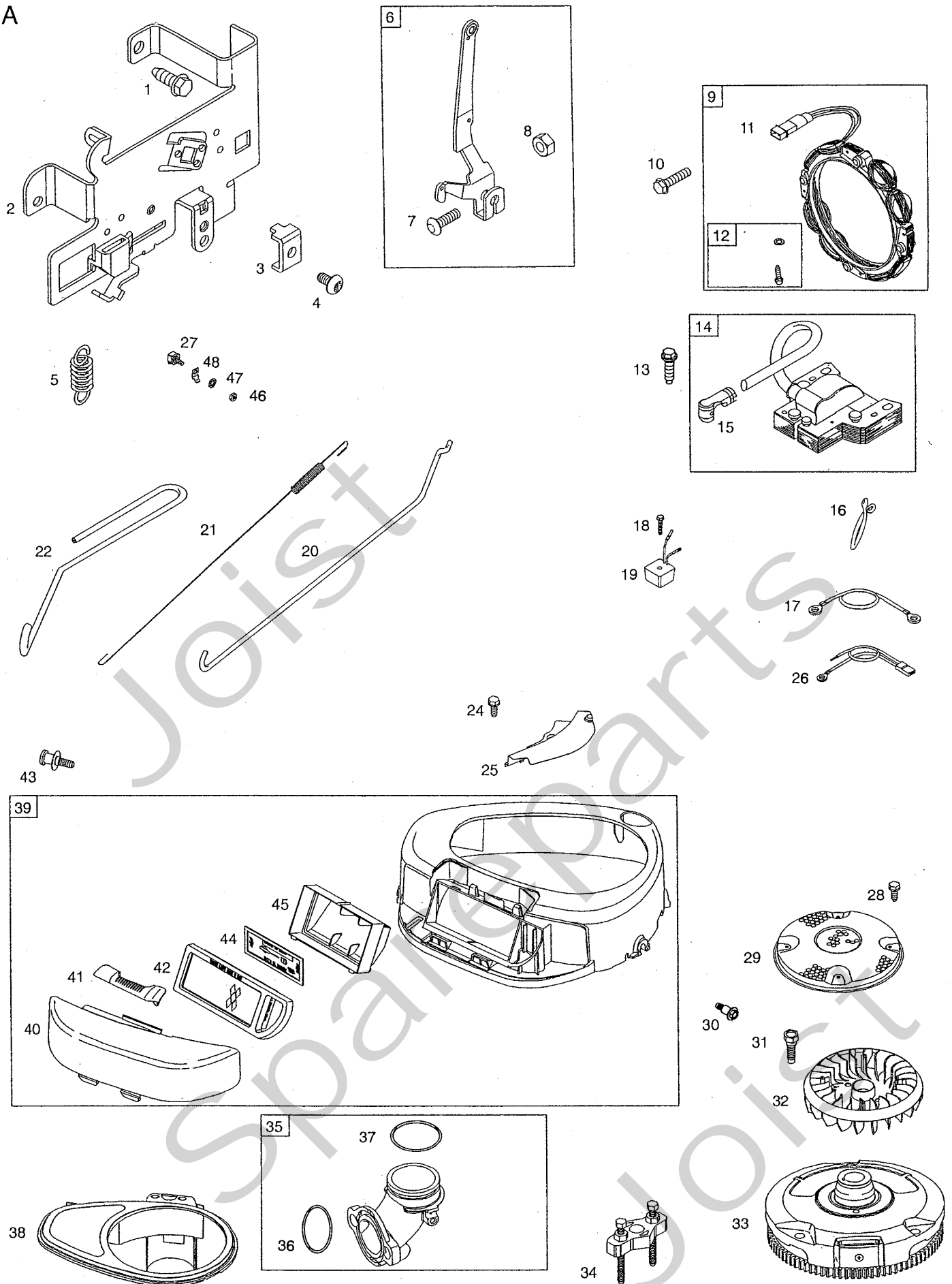
Utgåva Issue		Bildnr Picture No		BRIGGS & STRATTON 21A907 CYLINDER (A) VEVAXEL (B)		BRIGGS & STRATTON 21A907 CYLINDER (A) CRANKSHAFT (B)		Sida Page	
2004-13		1692						196	
Pos. Fig.	Antal/Quantity			Art nr Part No	Benämning	Description	Sats Kit	Anmärkning Notes	
	21A 907- 0146								
X	A01	1		697377	Cylinder kpl.....	Cylinder assy.....			
	A02	1		399265	• Bussning.....	• Bushing.....			
	A03	1		391086	•• Tätningssring.....	•• Seal.....			
	A04	2		690959	• Tapp.....	• Locating pin.....			
	A05	1		697144	• Bussning.....	• Bushing.....			
	A06	1		692407	• Tätning.....	• Seal.....			
	A07	2		697157	Skruv.....	Screw.....			
	A08	1		697112	Lock.....	Cover.....			
	A09	1		697109	Packning.....	Gasket.....			
	A10	1		697104	Skruv.....	Screw.....			
	A11	1		697113	Ventilationsrör.....	Breather tube.....			
	A12	1		697124	Ventil.....	Breather reed.....			
	A13	1		692012	Regulatoraxel.....	Governor crank.....			
	A14	2		691691	Bricka.....	Washer.....			
	A15	1		691620	Låsnål.....	Cotter pin.....			
	A17	1		691909	Tändstiftshylsa.....	Spark plug boot.....			
	A18	1		9400-0244-00	Tändstift.....	Spark plug.....			
	A19	1		89838	Tändstiftsnyckel.....	Spark plug wrench.....			
X	A20	1		697359	Cylinderskydd.....	Cylinder shield.....			
	A21	1		691003	Skruv.....	Screw.....			
X	A22	1		699016	Kamaxel.....	Camshaft.....			
	A23	1		691968	Oljekastardrev.....	Oil slinger.....			
	A24	1		690946	Avtappningsplugg.....	Oil drain plug.....			
	A25	10		692125	Skruv.....	Screw.....			
	A26	1		690947	• Tätningssring.....	• Oil seal.....			
	A27	1		697110	• Packning.....	• Gasket.....			
	A28	1		697106	Oljesump.....	Engine sump.....			
X	B01	1		698375	• Kolringssats.....	• Ring set.....		Standard	
X	B01	1		698377	• Kolringssats.....	• Ring set.....		.020" oversize	
	B02	1		698371	Kolv kpl.....	Piston assy.....		Standard	
X	B02	1		698373	Kolv kpl.....	Piston assy.....		.020" oversize	
	B03	2		698469	• Låsring.....	• Lock.....			
X	B04	1		697390	Vevaxel.....	Crankshaft.....			
	B05	1		697128	• Drev.....	• Timing gear.....			
	B06	1		691639	• Kil.....	• Timing key.....			
	B07	1		222698	Kil.....	Key.....			
X	B08	1		697364	Vevstake.....	Connecting rod.....			
	B09	2		692852	• Skruv.....	• Screw.....			
	B10	1		697099	Kolvbult.....	Piston pin.....			
X	B11	1		697391	Motvikt.....	Counterweight.....			
	B12	1		697392	• Axel.....	• Pin.....			
	B13	1		697607	• Länk.....	• Link.....			
	B14	2		697156	• Plugg.....	• Plug.....			
	B15	1		697611	Oljesticka kpl.....	Oil dipstick assy.....			
	B16	1		697086	• Oljesticka.....	• Oil dipstick.....			
	B17	1		691031	•• O-ring.....	•• O-ring.....			
	B18	1		697184	• Oljerör.....	• Dipstick tube.....			
	B19	1		691032	•• Tätning.....	•• Tube seal.....			
X	B20	1		698139	Skruv.....	Screw.....			

A



Utgåva Issue 2004-13		Bildnr Picture No 1682		BRIGGS & STRATTON 21A907 TOPPLOCK (A)		BRIGGS & STRATTON 21A907 CYLINDER HEAD (A)		Sida Page 198	
Pos. Fig.	Antal/Quantity			Art nr Part No	Benämning	Description	Sats Kit	Anmärkning Notes	
	21A 907- 0146								
X A01	1			697396	Topplöck .....	Cylinder head .....			
A02	1			691843	• Ventilhuv .....	• Valve cap .....			
A03	1			691279	• Ventilfjäder .....	• Valve spring .....			
A04	1			691279	• Ventilfjäder .....	• Valve spring .....			
A05	1			495856	• Ventil- utblås .....	• Valve-exhaust .....			
A06	2			499586	• Ventilhållare .....	• Valve keeper .....			
A07	2			690964	• Ventilhållare .....	• Valve retainer .....			
A08	1			495857	• Ventil- insug .....	• Valve-intake .....			
A09	1			690968	• Ventiltätning .....	• Valve seal .....			
A10	2			691986	• Vipparmsjustering .....	• Rocker arm adjuster .....			
A11	2			691751	• Vipparm .....	• Rocker arm .....			
A12	2			691095	• Pinnbult .....	• Stud .....			
A13	1			690822	• Stötstångsstyrning .....	• Push rod guide .....			
A14	1			272475	• Packning .....	• Gasket .....			
A15	1			273280	• Topplöckspackning .....	• Cylinder head gasket .....			
A16	1			692138	• O- ring .....	• O- ring .....			
A17	1			692492	Ventilkåpa .....	Rocker cover .....			
A18	4			691108	Skruv .....	Screw .....			
A19	1			692137	• Packning .....	• Gasket .....			
X A20	1			697361	Insugningsrör .....	Intake manifold .....			
A21	2			691148	Skruv .....	Screw .....			
X A22	1			697394	Stötstång (insug) .....	Push rod (intake) .....			
X A22	1			697395	Stötstång (utblås) .....	Push rod (exhaust) .....			
A23	2			690564	Ventillyftare .....	Valve tappet .....			
A24	8			690360	Skruv .....	Screw .....			

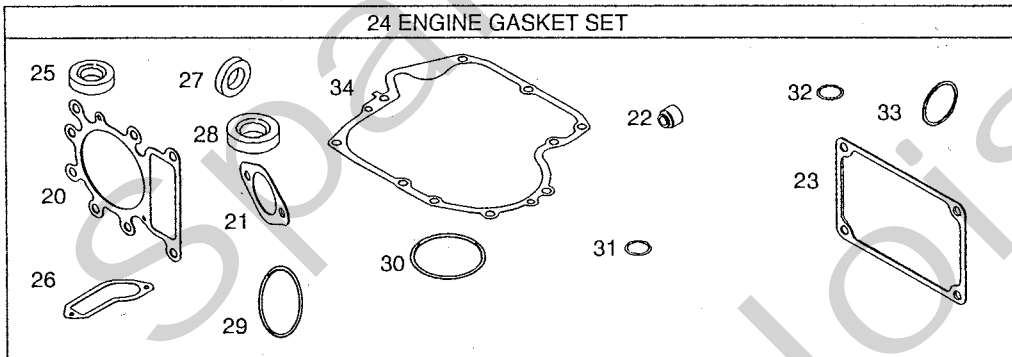
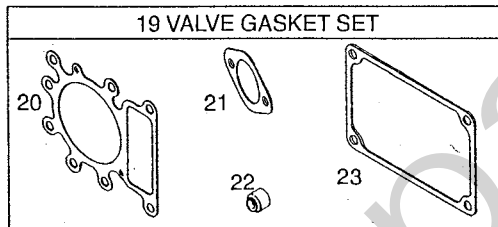
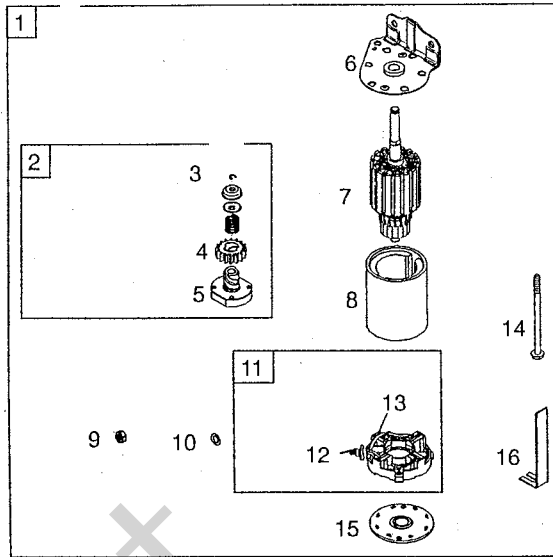
A



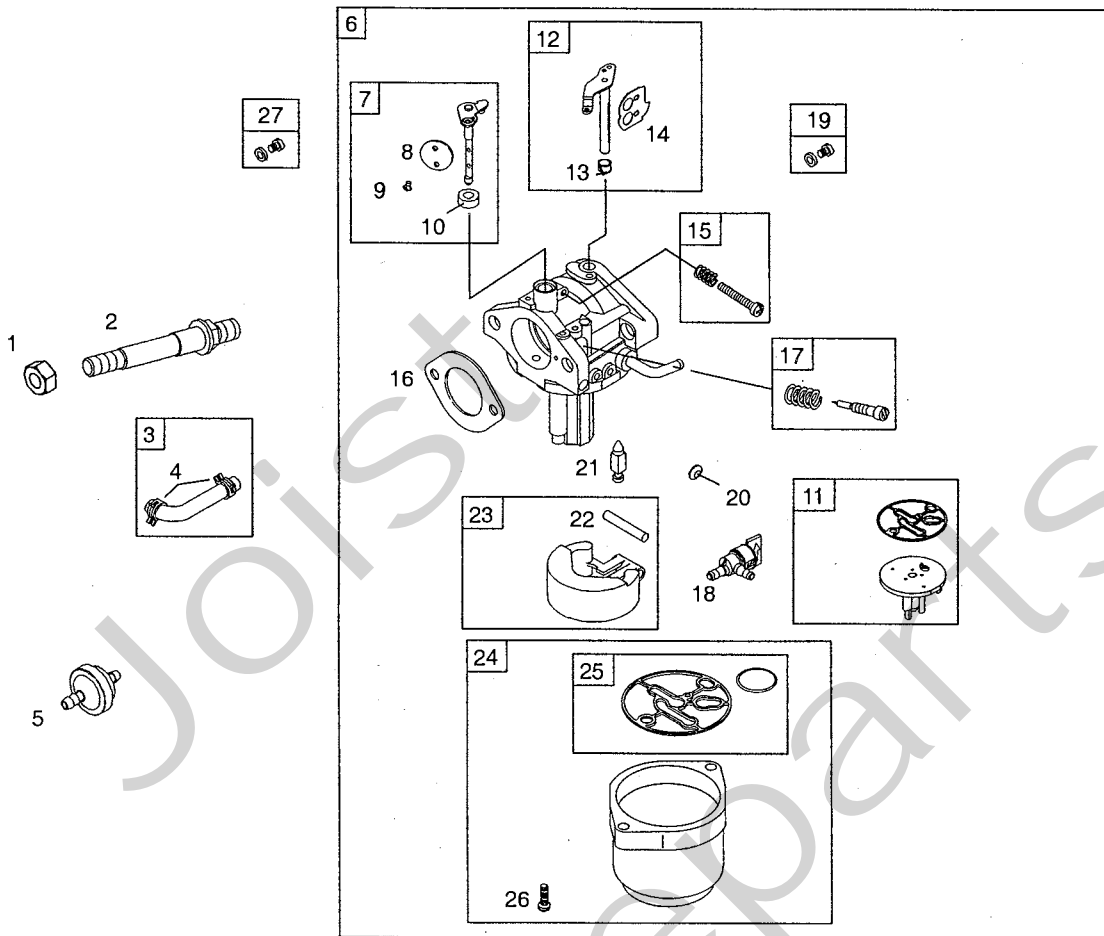


Utgåva Issue		Bildnr Picture No		BRIGGS & STRATTON 21A907 REGULATOR (A) FLÄKTHUS (A)		BRIGGS & STRATTON 21A907 GOVERNOR (A) BLOWER HOUSING (A)		Sida Page	
2004-13		1693						200	
Pos. Fig.	Antal/Quantity			Art nr Part No	Benämning	Description	Sats Kit	Anmärkning Notes	
	21A 907- 0146								
A01	2			691693	Skruv .....	Screw .....			
A02	1			694042	Reglageplåt .....	Control bracket .....			
A03	1			691024	Klämma .....	Clamp .....			
A04	1			690804	Skruv .....	Screw .....			
A05	1			692208	Fjäder .....	Spring .....			
A06	1			691374	Regulatorarm .....	Governor lever .....			
A07	1			691119	• Bult .....	• Bolt .....			
A08	1			691251	• Mutter .....	• Nut .....			
A09	1			696457	Generator .....	Alternator .....			
A10	4			691183	Skruv .....	Screw .....			
A11	1			393537	• Anslutning .....	• Connector .....			
A12	1			698516	• Skruv/bricka .....	• Screw/washer kit .....			
A13	2			691061	Skruv .....	Screw .....			
A14	1			492341	Tändsystem .....	Armature magneto .....			
A15	1			493880	• Anslutningshylsa .....	• Terminal .....			
A16	1			694123	Kabelklämma .....	Wire clip .....			
A17	1			697089	Kabel .....	Stop wire .....			
A18	1			697088	Skruv .....	Screw .....			
A19	1			691188	Regulator .....	Regulator .....			
A20	1			691841	Regulatorlänk .....	Governor link .....			
A21	1			691842	Fjäder .....	Spring .....			
A22	1			691840	Chokelänk .....	Choke link .....			
A24	2			691003	Skruv .....	Screw .....			
A25	1			697352	Skydd .....	Guard .....			
A26	1			398808	Kortslutningskabel .....	Ground wire .....			
A27	1			691972	Isolator .....	Insulator .....			
A28	4			697897	Skruv .....	Screw .....			
A29	1			697133	Roterande skydd .....	Rotating screen .....			
A30	2			697102	Skruv .....	Screw .....			
A31	2			690372	Skruv .....	Screw .....			
X A32	1			699044	Fläkt .....	Fan .....			
X A33	1			698282	Svänghjul .....	Flywheel .....			
A34	1			19203	Avdragare .....	Puller .....			
A35	1			697122	Insugningsrör .....	Intake elbow .....			
A36	1			691917	• O-ring .....	• O-ring .....			
A37	1			697123	• O-ring .....	• O-ring .....			
A38	1			698368	Platta .....	Trim plate .....			
X A39	1			697870	Fläkthus .....	Blower housing .....			
X A40	1			697420	• Lock .....	• Cover .....			
X A41	1			697419	• Spärr .....	• Latch .....			
X A42	1			698413	• Luftfilter .....	• Air cleaner filter .....			
A43	1			697103	Skruv .....	Screw .....			
X A44	1			697292	• Förfilter .....	• Precleaner filter .....			
X A45	1			697155	• Hållare .....	• Retainer .....			
A46	1			691612	Mutter .....	Nut .....			
A47	1			691077	Bricka .....	Washer .....			
A48	1			691084	Anslutningsbleck .....	Ground terminal .....			

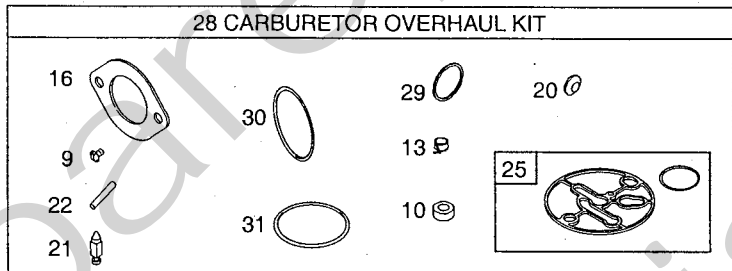
A



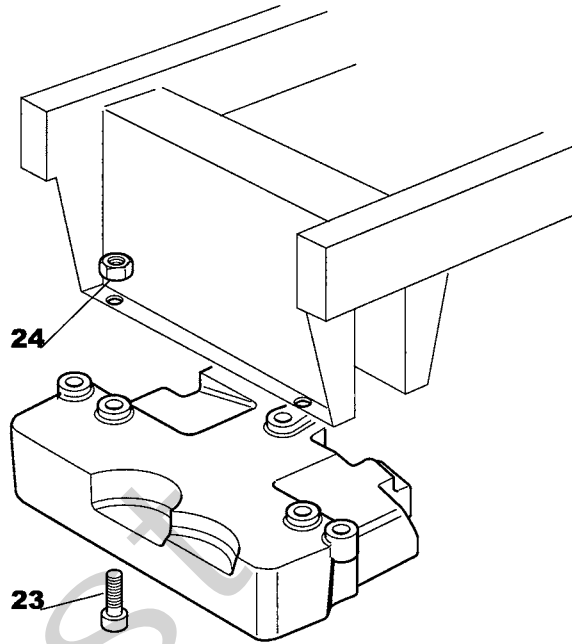
Utgåva Issue		Bildnr Picture No		BRIGGS & STRATTON 21A907 STARTMOTOR (A) PACKNINGSSATS (A)		BRIGGS & STRATTON 21A907 STARTER MOTOR (A) GASKET SET (A)		Sida Page	
2004- 13		1684						202	
Pos. Fig.	Antal/Quantity			Art nr Part No	Benämning	Description	Sats Kit	Anmärkning Notes	
	21A 907- 0146								
A01	1			693551	Startmotor kpl .....	Starter motor assy .....			
A02	1			693699	• Startdrev .....	• Starter drive .....			
A03	1			691265	•• Låsring .....	•• Retaining ring .....			
A04	1			693713	•• Drev .....	•• Pinion gear .....			
A05	1			692024	•• Koppling .....	•• Drive clutch .....			
A06	1			691283	• Lock .....	• Drive cap .....			
A07	1			692034	• Rotor .....	• Armature .....			
A08	1			693757	• Startmotorhus .....	• Starter housing .....			
A09	1			691029	• Mutter .....	• Nut .....			
A10	1			691261	• Bricka .....	• Washer .....			
A11	1			691293	• Borsthållare .....	• Brush retainer .....			
A12	1			693167	•• Mutter .....	•• Nut .....			
A13	1			497608	•• Släpksats .....	•• Brush set .....			
A14	2			690323	• Bult .....	• Bolt .....			
A15	1			691286	• Botten .....	• End cap .....			
A16	1			691532	• Stag .....	• Strap .....			
A17	1			691224	Kabelklämma .....	Wire clip .....			
A18	1			690372	Skruv .....	Screw .....			
A19	1			691581	Packningssats- ventil .....	Gasket set- valve .....			
A20	1			273280	• Topplöckspackning .....	• Cylinder head gasket .....			
A21	1			692137	• Packning .....	• Gasket .....			
A22	1			690968	• Ventilätning .....	• Valve seal .....			
A23	1			272475	• Packning .....	• Gasket .....			
A24	1			697151	Packningssats- motor .....	Gasket set- engine .....			
A25	1			391086	• Tätningsring .....	• Seal .....			
A26	1			697109	• Packning .....	• Gasket .....			
A27	1			692407	• Tätning .....	• Seal .....			
A28	1			690947	• Tätningsring .....	• Oil seal .....			
A29	1			691917	• O- ring .....	• O- ring .....			
A30	1			697123	• O- ring .....	• O- ring .....			
A31	1			691032	• Tätning .....	• Tube seal .....			
A32	1			691031	• O- ring .....	• O- ring .....			
A33	1			692138	• O- ring .....	• O- ring .....			
A34	1			697110	• Packning .....	• Gasket .....			



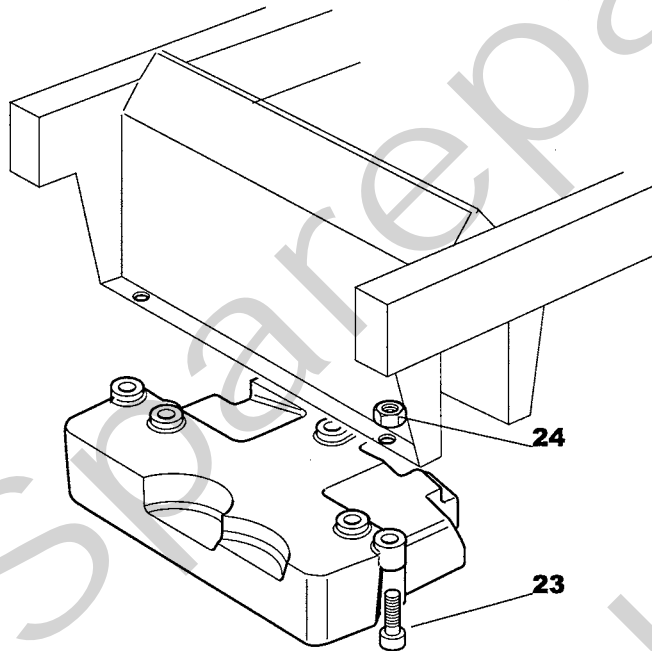
28 CARBURETOR OVERHAUL KIT



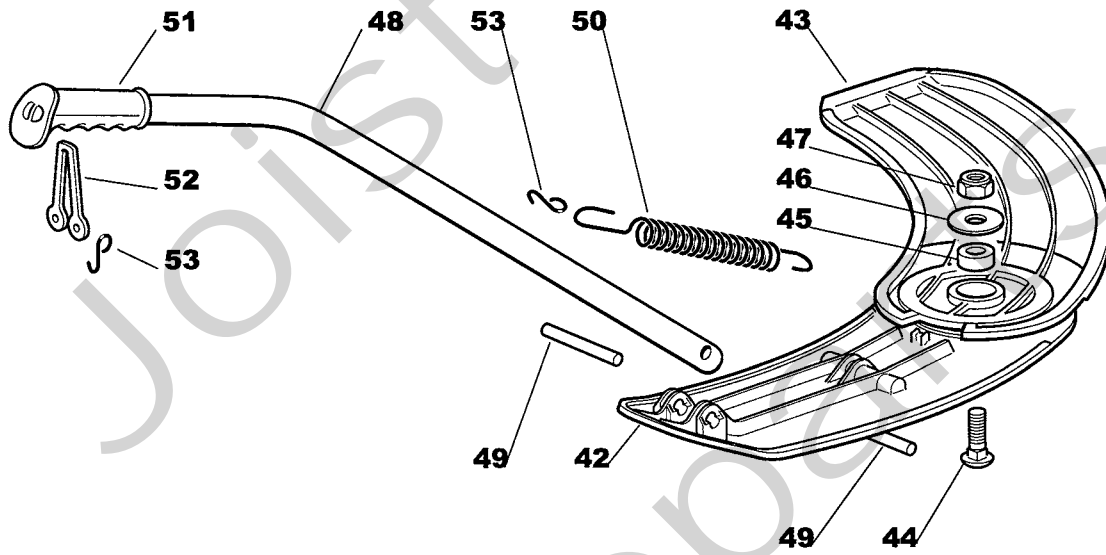
Utgåva Issue		Bildnr Picture No		BRIGGS & STRATTON 21A907 FÖRGASARE (A) PACKNINGSSATS (A)		BRIGGS & STRATTON 21A907 CARBURETTOR (A) GASKET SET (A)		Sida Page	
2004-13		1694						204	
Pos. Fig.	Antal/Quantity			Art nr Part No	Benämning	Description	Sats Kit	Anmärkning Notes	
	21A 907- 0146								
	A01	2		690958	Mutter.....	Nut.....			
	A02	2		690227	Pinnbult.....	Stud.....			
	A03	1		697098	Bränsleslang.....	Fuel line.....			
	A04	2		95162	• Slangklämma.....	• Hose clamp.....			
	A05	1		394358	Bränslefilter.....	Fuel filter.....			
X	A06	1		699896	Förgasare kpl.....	Carburettor Assy.....			
X	A07	1		698776	• Spjällaxel.....	• Throttle shaft.....			
X	A08	1		698774	•• Gasspjäll.....	•• Throttle valve.....			
	A09	2		690718	•• Skruv.....	•• Screw.....			
X	A10	1		698777	•• Tätning.....	•• Seal.....			
X	A11	1		698780	• Rör.....	• Transfer tube.....			
X	A12	1		698778	• Chokeaxel.....	• Choke shaft.....			
X	A13	1		698779	•• Fjäder/tätning.....	•• Spring/seal.....			
X	A14	1		698773	•• Chokespjäll.....	•• Choke valve.....			
	A15	1		695408	• Tomgångsskruv.....	• Idle speed kit.....			
	A16	1		692137	• Packning.....	• Gasket.....			
	A17	1		695425	• Justerskruv.....	• Idle mixture kit.....			
X	A18	1		698183	• Bränslekran.....	• Fuel shut-off valve.....			
X	A19	1		699897	• Huvudmunstycke.....	• Main jet.....		Standard	
	A20	1		690727	• Expansionsplugg.....	• Welch plug.....			
	A21	1		696136	• Nålventil.....	• Needle valve.....			
	A22	1		694918	•• Flottöraxel.....	•• Float hinge pin.....			
X	A23	1		694914	• Flottör.....	• Float.....			
X	A24	1		698783	• Flottörhus.....	• Float bowl.....			
X	A25	1		698781	•• Packning.....	•• Gasket.....			
	A26	2		695407	•• Skruv.....	•• Screw.....			
X	A27	1		699898	Huvudmunstycke.....	Main jet.....		High altitude	
X	A28	1		698787	Rep.sats- förgasare.....	Overhaul kit- carbur.....			
	A29	1		692138	• O-ring.....	• O-ring.....			
	A30	1		691917	• O-ring.....	• O-ring.....			
	A31	1		697123	• O-ring.....	• O-ring.....			



Estate Senator - President - Royal - Pro 22



Utgåva Issue		Bildnr Picture No		FRONTVIKT ART.NR 13-0912-11		FRONT WEIGHT ART.NO 13-0912-11		Sida Page	
2004-13		1253B						148	
Pos. Fig.	Antal/Quantity			Art nr Part No	Benämning	Description	Sats Kit	Anmärkning Notes	
	0912								
23	3			9939-0850-12	Skruv .....	Screw .....			
24	3			9747-0831-02	Mutter .....	Lock nut .....			





Utgåva Issue		Bildnr Picture No		MULCHINGSATS ART.NR 13- 0934- 11		MULCHING KIT ART.NO 13- 0934- 11		Sida Page	
2004- 13		1558						158	
Pos. Fig.	Antal/Quantity			Art nr Part No	Benämning	Description	Sats Kit	Anmärkning Notes	
	0934								
42	1			1136-1259-01	Deflektor-bakre .....	Deflector-rear .....			
43	1			1136-1258-01	Deflektor-fram.....	Deflector-front.....			
44	1			9898-0825-16	Skruv.....	Screw.....			
45	1			1136-1255-01	Bussning .....	Bushing.....			
46	1			1136-0089-01	Bricka .....	Washer.....			
47	1			9747-0831-02	Mutter.....	Lock nut.....			
48	1			1136-1263-01	Handtagsrör.....	Handle tube.....			
49	2			1136-1269-01	Sprint.....	Pin .....			
50	1			1136-0214-01	Fjäder.....	Spring .....			
51	1			1136-0882-01	Handtag .....	Handgrip .....			
52	1			1136-0927-01	Elastiskt band .....	Elastic tie.....			
53	3			1136-0877-01	Krok.....	Hook .....			