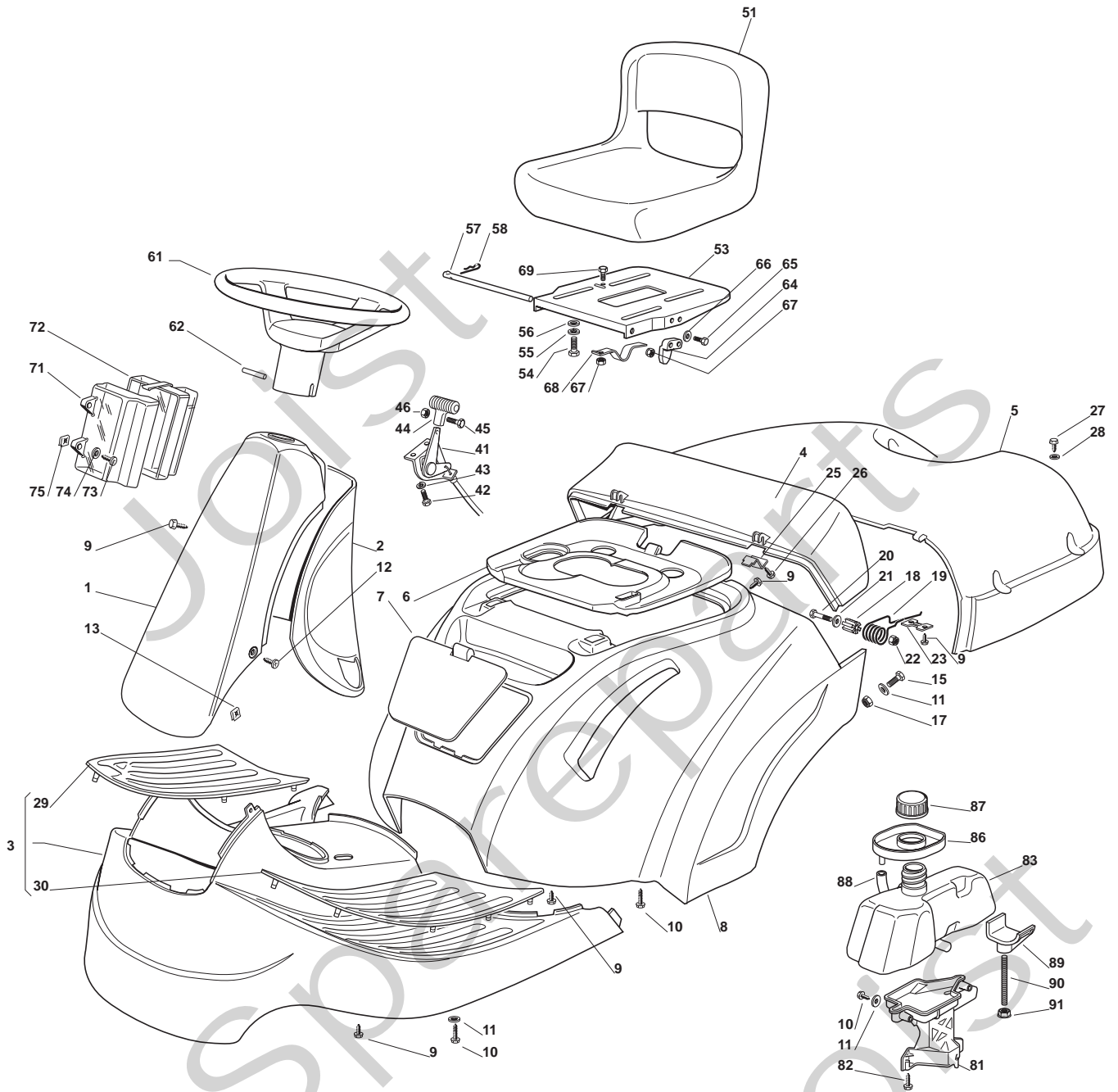


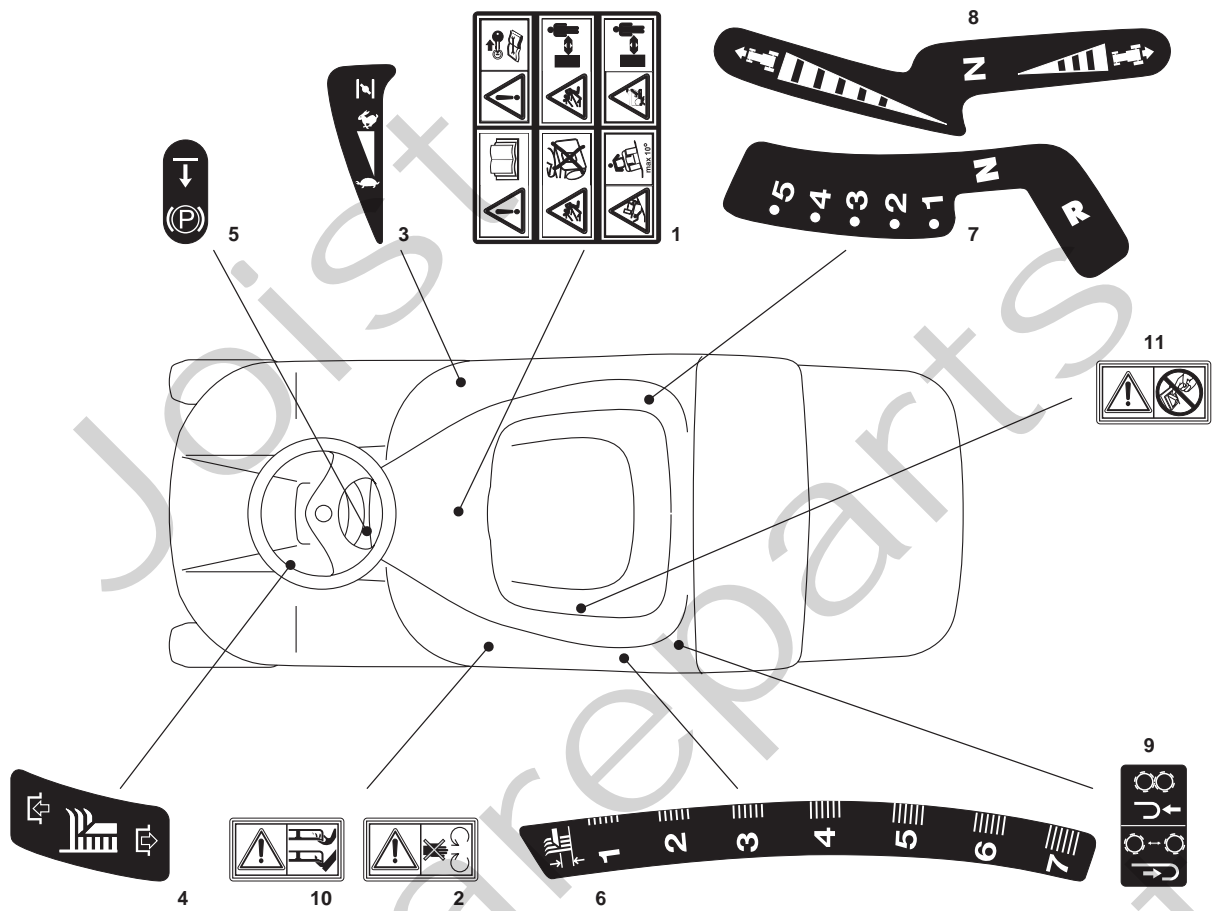
Genuine Spare Parts



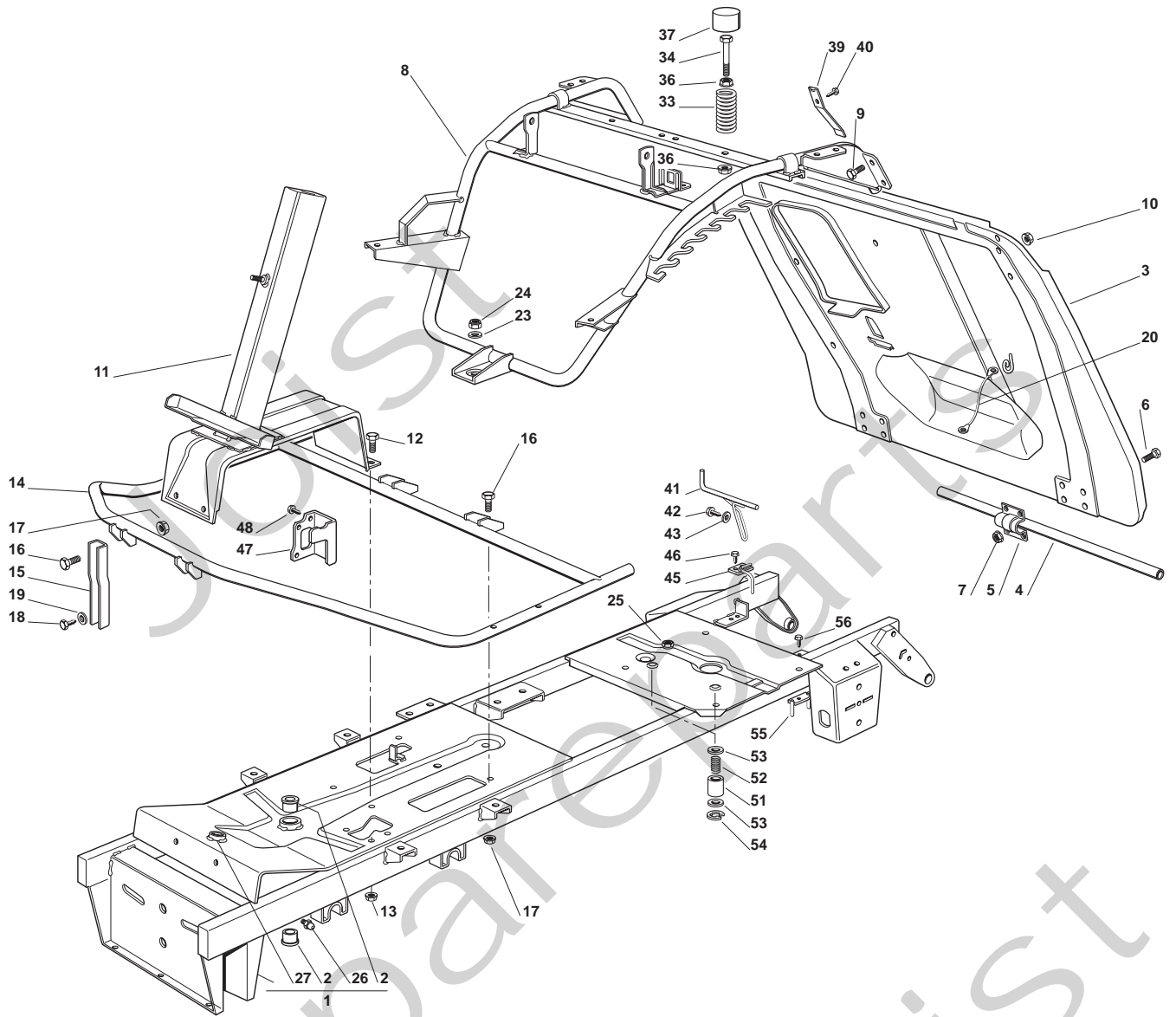
Spareparts
Joist



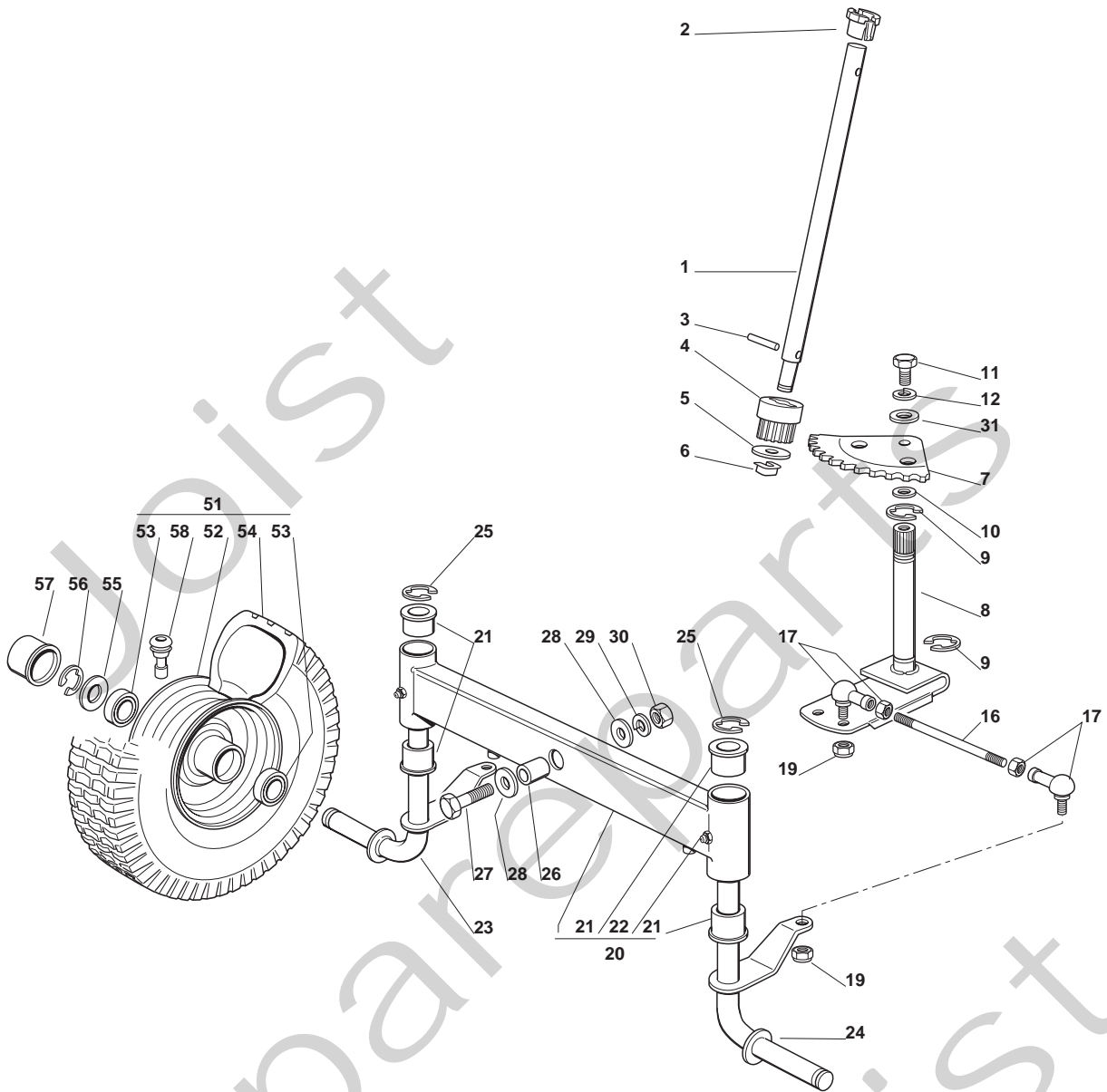
Utgåva Issue		Bildnr Picture No		GARDEN COMBI KAROSS		GARDEN COMBI BODY WORK		Sida Page	
2007- 13		1227E						30	
Pos. Fig.	Antal/Quantity			Art nr Part No	Benämning	Description	Sats Kit	Anmärkning Notes	
	2511	2512							
1	1	1		84598086/0	Kåpa- främre, grå.....	Cover-front, grey.....		Inkl. pos 29 - 30	
2	1	1		27600117/0	Kåpa- bakre, gul.....	Cover-rear, yellow.....			
3	1	1		84110131/0	Fotstegskåpa- gul.....	Footboard cover-yello.....			
4	1	1		27110360/0	Uppsamlarlock- fast.....	Grass bag cover-fixed.....			
5	1	1		27110361/0	Uppsamlarlock- rörligt.....	Grass bag cover-mobil.....			
6	1	1		27110306/2	Motorkåpa.....	Engine cover.....			
7	1	1		27109516/0	Frontkåpa- gul.....	Front cover-yellow.....			
8	1			84110132/1	Hjulåpa- gul.....	Wheel cover-yellow.....			
8		1		84110136/1	Hjulåpa- gul.....	Wheel cover-yellow.....			
9	14	14		12735402/0	Skruv.....	Screw.....			
10	10	10		12735410/0	Skruv.....	Screw.....			
11	8	8		12523040/0	Bricka.....	Washer.....			
12	2	2		12735598/0	Skruv.....	Screw.....			
13	2	2		12437503/0	Låsplatta.....	Plate.....			
15	2	2		12791200/0	Skruv.....	Screw.....			
17	2	2		12154510/0	Mutter.....	Nut.....			
18	2	2		27047003/0	Bussning.....	Bushing.....			
19	2	2		27430551/1	Fjäder.....	Spring.....			
20	2	2		12691200/0	Skruv.....	Screw.....			
21	2	2		12523070/0	Bricka.....	Washer.....			
22	2	2		12155000/0	Mutter.....	Nut.....			
23	2	2		27546001/0	Plåt.....	Plate.....			
25	2	2		27546003/0	Plåt.....	Plate.....			
26	2	2		12735402/0	Skruv.....	Screw.....			
27	4	4		12729601/1	Skruv.....	Screw.....			
28	4	4		12521331/0	Bricka.....	Washer.....			
29	1	1		27110304/0	• Fotstegsskydd- hö.....	• Footboard cover-RH.....			
30	1	1		27110305/0	• Fotstegsskydd- vä.....	• Footboard cover-LH.....			
41	1	1		84000250/1	Gasreglage.....	Throttle control.....			
42	2	2		12788512/0	Skruv.....	Screw.....			
43	2	2		12581200/0	Bricka.....	Grower.....			
44	1	1		25394501/0	Handtag.....	Handle.....			
45	1	1		12726388/0	Skruv.....	Screw.....			
46	1	1		12290800/0	Mutter.....	Nut.....			
51	1	1		25722456/0	Sits.....	Seat.....			
53	1	1		25547033/1	Sitsplatta.....	Seat plate.....			
54	4	4		12793101/0	Skruv.....	Screw.....			
55	4	4		12583500/0	Låsbricka.....	Washer.....			
56	4	4		12523060/0	Bricka.....	Washer.....			
57	1	1		27864052/0	Ledaxel.....	Pivot pin.....			
58	1	1		24487997/0	Låsnål.....	Hair pin.....			
61	1	1		25961209/0	Ratt.....	Steering wheel.....			
62	1	1		12620299/0	Stift.....	Pin.....			
64	1	1		27063021/1	Kam.....	Cam.....			
65	2	2		12789100/0	Skruv.....	Screw.....			
66	2	2		12523020/0	Bricka.....	Washer.....			
67	3	3		12154330/0	Mutter.....	Nut.....			
68	1	1		25430223/2	Fjäder.....	Spring.....			
69	1	1		12789000/0	Skruv.....	Screw.....			
71	1	1		25600020/0	Skydd- övre.....	Guard- upper.....			
72	1	1		25600021/1	Skydd- nedre.....	Guard- lower.....			
73	2	2		12728460/0	Skruv.....	Screw.....			
74	2	2		12521320/0	Bricka.....	Washer.....			
75	2	2		12437502/0	Mutter.....	Nut.....			
81	1	1		27787062/0	Tankfäste.....	Tank bracket.....			
82	3	3		12735410/0	Skruv.....	Screw.....			
83	1	1		27733003/1	Bränsletank.....	Fuel tank.....			
86	1	1		27600061/2	Skydd.....	Guard.....			
87	1	1		25795000/1	Tanklock.....	Fuel tank cap.....			
88	1	1		25869014/0	Slang.....	Hose.....			
89	1	1		27787063/0	Stöd.....	Support.....			
90	1	1		27510118/0	Pinnbult.....	Stud bolt.....			
91	2	2		12293201/0	Mutter.....	Nut.....			



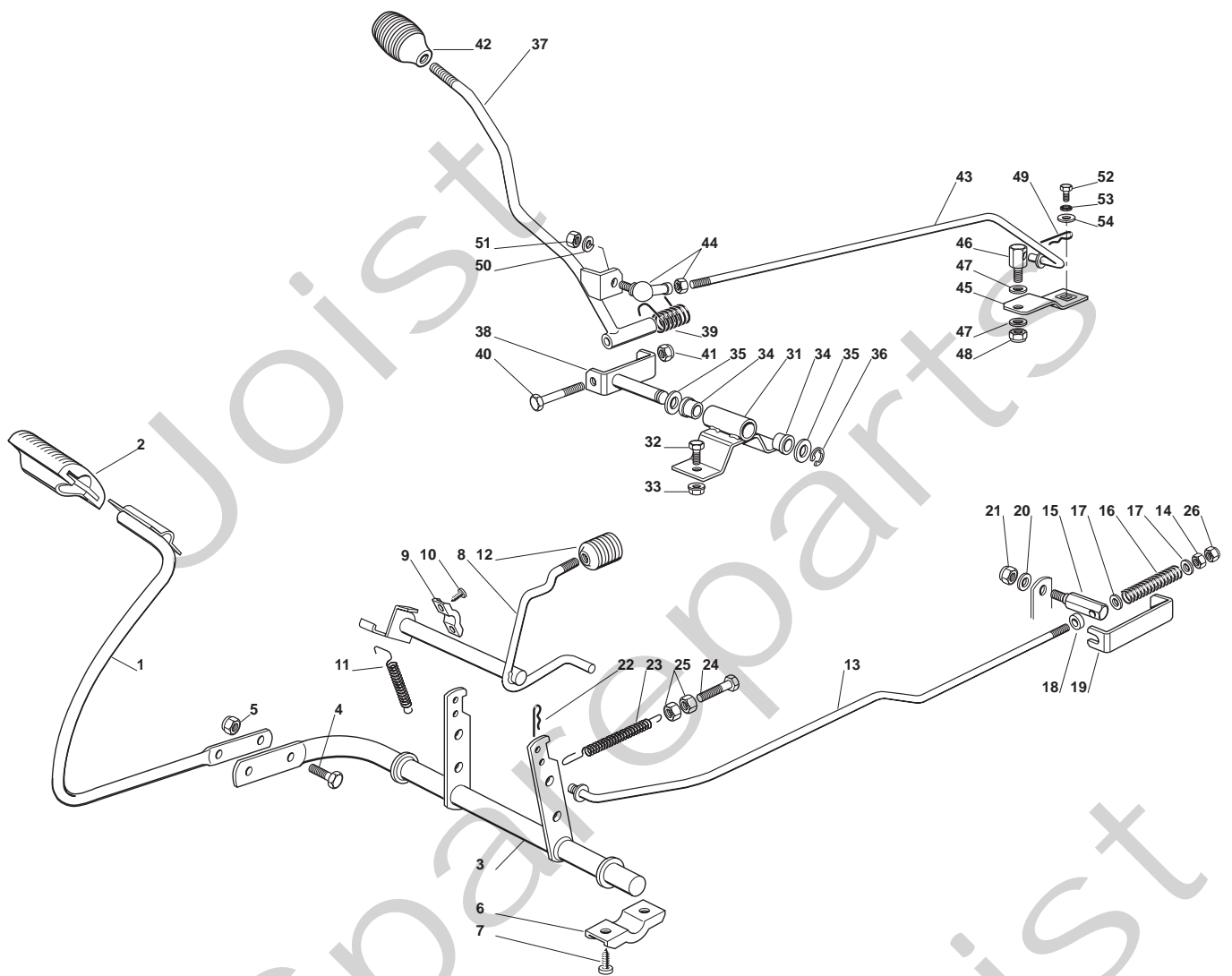
Utgåva Issue		Bildnr Picture No		GARDEN COMBI DEKALER		GARDEN COMBI LABELS		Sida Page	
2007- 13		1209D						32	
Pos. Fig.	Antal/Quantity			Art nr Part No	Benämning	Description	Sats Kit	Anmärkning Notes	
	2511	2512							
1	1	1		14357428/0	Dekal	Label			
2	1	1		14357519/1	Dekal	Label			
3	1	1		14357425/0	Dekal	Label			
4	1	1		14357431/0	Dekal	Label			
5	1	1		14357526/0	Dekal	Label			
6	1	1		14357427/0	Dekal	Label			
7	1			14357426/0	Dekal	Label			
8		1		14357702/0	Dekal	Label			
9		1		14358513/0	Dekal	Label			
10	2	2		14356699/0	Dekal	Label			
11	1	1		14360118/0	Dekal	Label			



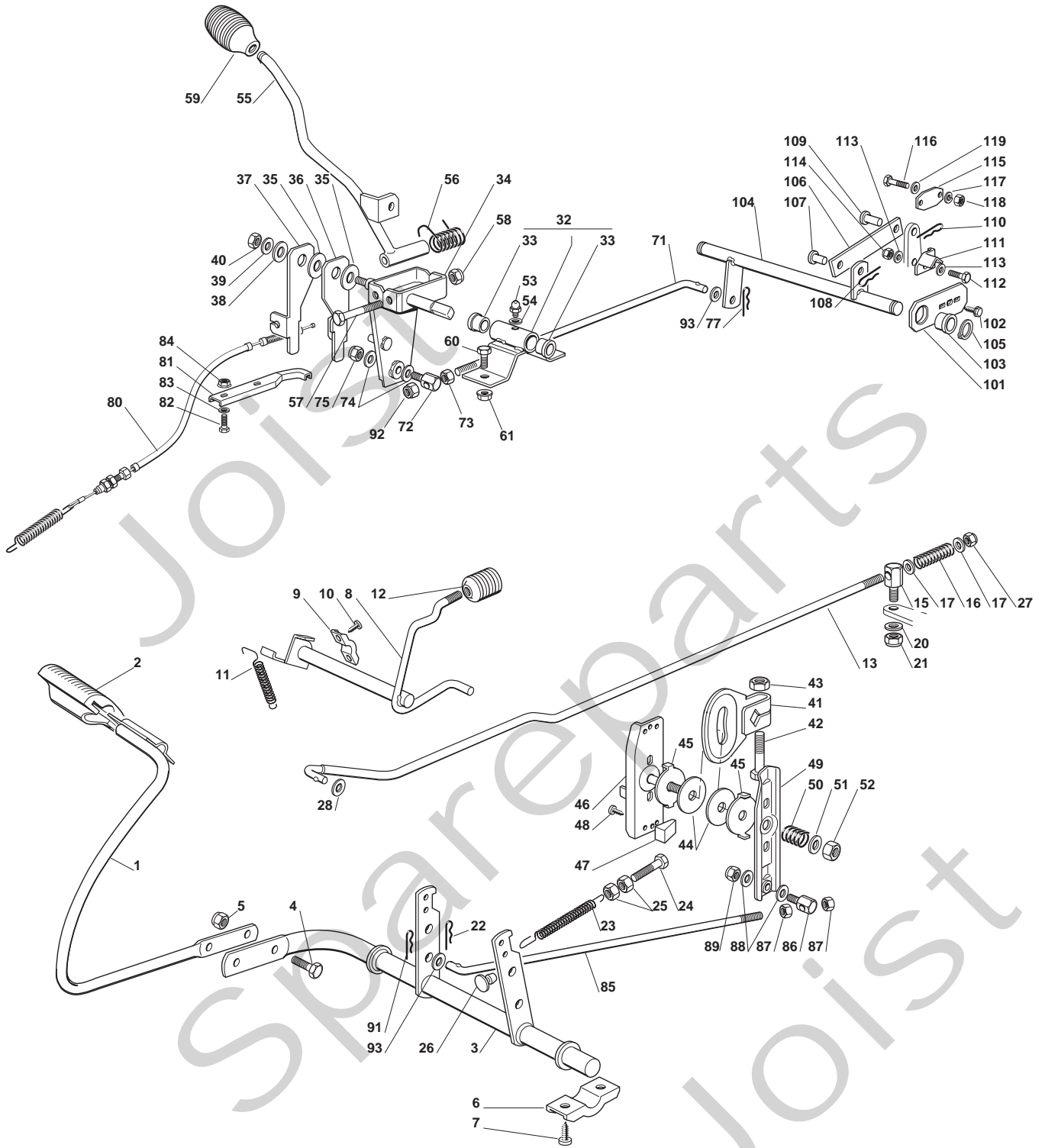
Utgåva Issue		Bildnr Picture No		GARDEN COMBI CHASSI		GARDEN COMBI CHASSIS		Sida Page	
2007- 13		1226D						34	
Pos. Fig.	Antal/Quantity			Art nr Part No	Benämning	Description	Sats Kit	Anmärkning Notes	
	2511	2512							
1	1	1		84801135/0	Ram kpl	Frame assy.....		Inkl. pos 2, 26 - 27	
2	2	2		25034002/1	• Bussning.....	• Bushing.....			
3	1	1		84545057/3	Plåt- bak.....	Plate- rear.....			
4	1	1		27037000/1	Pivotaxel.....	Pivot shaft.....			
5	2	2		25547012/1	Bygel	Clamp.....			
6	8	8		12791200/0	Skruv	Screw.....			
7	8	8		12292102/0	Mutter.....	Nut.....			
8	1	1		84801127/0	Ram- övre.....	Frame- upper.....			
9	4	4		12792611/0	Skruv	Screw.....			
10	4	4		12293201/0	Mutter.....	Nut.....			
11	1	1		84783027/0	Stöd.....	Support.....			
12	4	4		12792611/0	Skruv	Screw.....			
13	4	4		12293201/0	Mutter.....	Nut.....			
14	1	1		84801107/1	Fotstegsstöd.....	Footboard support.....			
15	2	2		27787025/0	Stöd.....	Support.....			
16	4	4		12792611/0	Skruv	Screw.....			
17	4	4		12293201/0	Mutter.....	Nut.....			
18	2	2		12734995/0	Skruv	Screw.....			
19	2	2		12521331/0	Bricka	Washer.....			
20	1	1		84040300/0	Lina	Cord.....			
23	1	1		12523060/0	Bricka	Washer.....			
24	1	1		12155000/0	Mutter.....	Nut.....			
25	1	1		12500090/0	Mutter.....	Nut.....			
26	1	1		12379511/0	• Smörjnippel	• Grease dispenser			
27	1	1		25034001/0	• Bussning.....	• Bushing.....			
33	2	2		27430575/0	Fjäder.....	Spring.....			
34	2	2		27943050/0	Skruv	Screw.....			
36	4	4		12293201/0	Mutter.....	Nut.....			
37	2	2		25122000/2	Skyddshuv.....	Protective cap.....			
39	1	1		27430554/0	Fjäder.....	Spring.....			
40	1	1		12735110/0	Skruv	Screw.....			
41	1	1		27294001/0	Styrning.....	Guide.....			
42	1	1		12735120/0	Skruv	Screw.....			
43	1	1		12523040/0	Bricka	Washer.....			
45	1			27294002/0	Remstyrning.....	Belt guide.....			
46	2			12735110/0	Skruv	Screw.....			
47	1	1		27772095/0	Stöd.....	Support.....			
48	2	2		12735106/0	Skruv	Screw.....			
51	2	2		27047012/0	Bussning	Bushing.....			
52	2	2		27430577/0	Fjäder.....	Spring.....			
53	4	4		25670008/1	Bricka	Washer.....			
54	2	2		12000955/0	Låsring	Circlip.....			
55	1			84250053/0	Remstyrning.....	Belt guide.....			
56	1			12735110/0	Skruv	Screw.....			



Utgåva Issue		Bildnr Picture No		GARDEN COMBI STYRNING		GARDEN COMBI STEERING		Sida Page	
2007- 13		1228C						36	
Pos. Fig.	Antal/Quantity				Art nr Part No	Benämning	Description	Sats Kit	Anmärkning Notes
	2511	2512							
1	1				27520050/0	Rattstång	Steering column.....		
2	1				25038004/0	Bussning	Bushing.....		
3	1				12622650/0	Stift.....	Pin.....		
4	1				27570050/0	Styrdrev	Pinion.....		
5	1				12521370/0	Bricka	Washer.....		
6	1				12436030/0	Låsplatta	Lock plate		
7	1				84735551/0	Styrsektor	Sector		
8	1				84000501/0	Axel	Shaft		
9	2				12001000/0	Låsring	Snap ring		
10	0-2				12520031/0	Bricka	Washer.....		
11	1				12793102/0	Skruv	Screw.....		
12	1				12583500/0	Låsbricka	Washer.....		
16	2				27840050/0	Styrstag	Steering rod		
17	4				22746600/0	Kulled	Ball joint.....		
19	4				12156602/0	Mutter.....	Nut.....		
20	1				84034057/0	Framaxel kpl	Front axle assy		Inkl. pos 21 - 22
21	4				25034002/1	• Bussning.....	• Bushing.....		
22	2				12379511/0	• Smörjnippel	• Grease dispenser		
23	1				84230401/0	Hjulspindel- hö.....	Stub axle- RH.....		
24	1				84230403/0	Hjulspindel- vä.....	Stub axle- LH.....		
25	2				12001000/0	Låsring	Snap ring		
26	1				25160016/0	Distans	Spacer.....		
27	1				12692695/0	Skruv	Screw.....		
28	2				12523100/0	Bricka	Washer.....		
29	1				12587100/0	Bricka	Washer.....		
30	1				12295300/0	Mutter.....	Nut.....		
31	1				12521350/0	Bricka	Washer.....		
51	2				84680052/1	Hjul kpl	Wheel assy.....		Turf Saver Deli
51	2				84680055/1	Hjul kpl	Wheel assy.....		
52	1				84044000/0	• Fälg.....	• Rim.....		
53	2				25122200/2	• Lager	• Bearing.....		
54	1				27590050/0	• Däck	• Tire.....		Turf Saver Deli
54	1				27590052/0	• Däck	• Tire.....		
55	2				25670005/1	Bricka	Washer.....		
56	2				12001000/0	Låsring	Snap ring		
57	2				22110230/0	Lock.....	Cap.....		
58	1				25950000/0	• Ventil.....	• Valve.....		

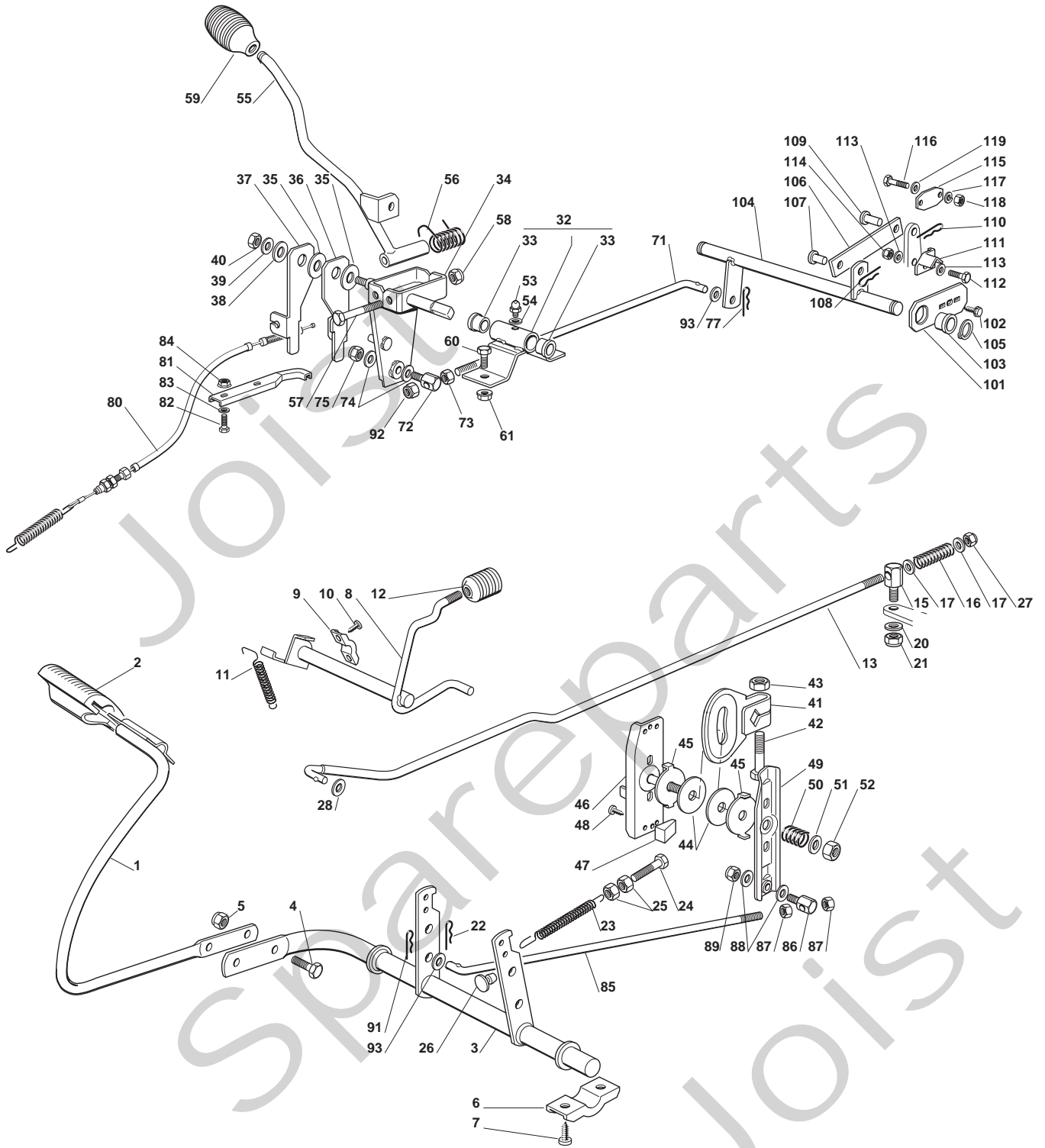


Utgåva Issue		Bildnr Picture No		GARDEN COMBI REGLAGE		GARDEN COMBI CONTROLS		Sida Page	
2007- 13		1229B						38	
Pos. Fig.	Antal/Quantity				Art nr Part No	Benämning	Description	Sats Kit	Anmärkning Notes
	2511								
1	1			84503001/0	Pedal	Pedal			
2	1			25110269/0	Pedal gummi	Pedal cover			
3	1			84001015/1	Pedalaxel	Pedal shaft			
4	2			12793301/0	Skruv	Screw			
5	2			12155000/0	Mutter	Nut			
6	2			27546015/1	Bygel	Clamp			
7	4			12731350/0	Skruv	Screw			
8	1			84001011/2	P- bromsaxel	Parking brake shaft			
9	2			25547049/0	Bygel	Plate			
10	4			12731601/0	Skruv	Screw			
11	1			27430552/0	Fjäder	Spring			
12	1			27395050/1	Knopp	Knob			
13	1			27034060/0	Stång	Rod			
14	1			12293200/0	Mutter	Nut			
15	1			27510115/0	Ledbult	Pivot bolt			
16	1			25430236/0	Fjäder	Spring			
17	2			12521350/0	Bricka	Washer			
18	1			22171001/0	Distans	Spacer			
19	1			25774275/0	Bygel	Clamp			
20	1			12523050/0	Bricka	Washer			
21	1			12154510/0	Mutter	Nut			
22	1			24487997/0	Låsnål	Hair pin			
23	1			25430220/0	Fjäder	Spring			
24	1			22943005/0	Skruv	Screw			
25	2			12293200/0	Mutter	Nut			
26	1			12155000/0	Mutter	Nut			
31	1			84773551/0	Fäste	Clamp			
32	2			12793102/0	Skruv	Screw			
33	2			12293201/0	Mutter	Nut			
34	2			27047002/0	Bussning	Bushing			
35	2			12521370/0	Bricka	Washer			
36	1			12608600/0	Låsring	Seegerring			
37	1			84317051/2	Växelspak	Gear lever			
38	1			84773553/0	Bygel	Clamp			
39	1			25430226/0	Fjäder	Spring			
40	1			12692050/0	Skruv	Screw			
41	1			12155000/0	Mutter	Nut			
42	1			82394508/0	Knopp	Knob			
43	1			27034052/0	Växelsång	Gear shift rod			
44	1			22746601/0	Vinkellänk	Ball joint			
45	1			27315077/0	Växelarm	Gear shift arm			
46	1			25510040/1	Länkbult	Pivot bolt			
47	2			25670011/0	Bricka	Washer			
48	1			12155000/0	Mutter	Nut			
49	1			24487997/0	Låsnål	Hair pin			
50	1			12583500/0	Låsbricka	Washer			
51	1			12293200/0	Mutter	Nut			
52	1			12735520/0	Skruv	Screw			
53	1			12540040/0	Bricka	Washer			
54	1			22680009/0	Bricka	Washer			

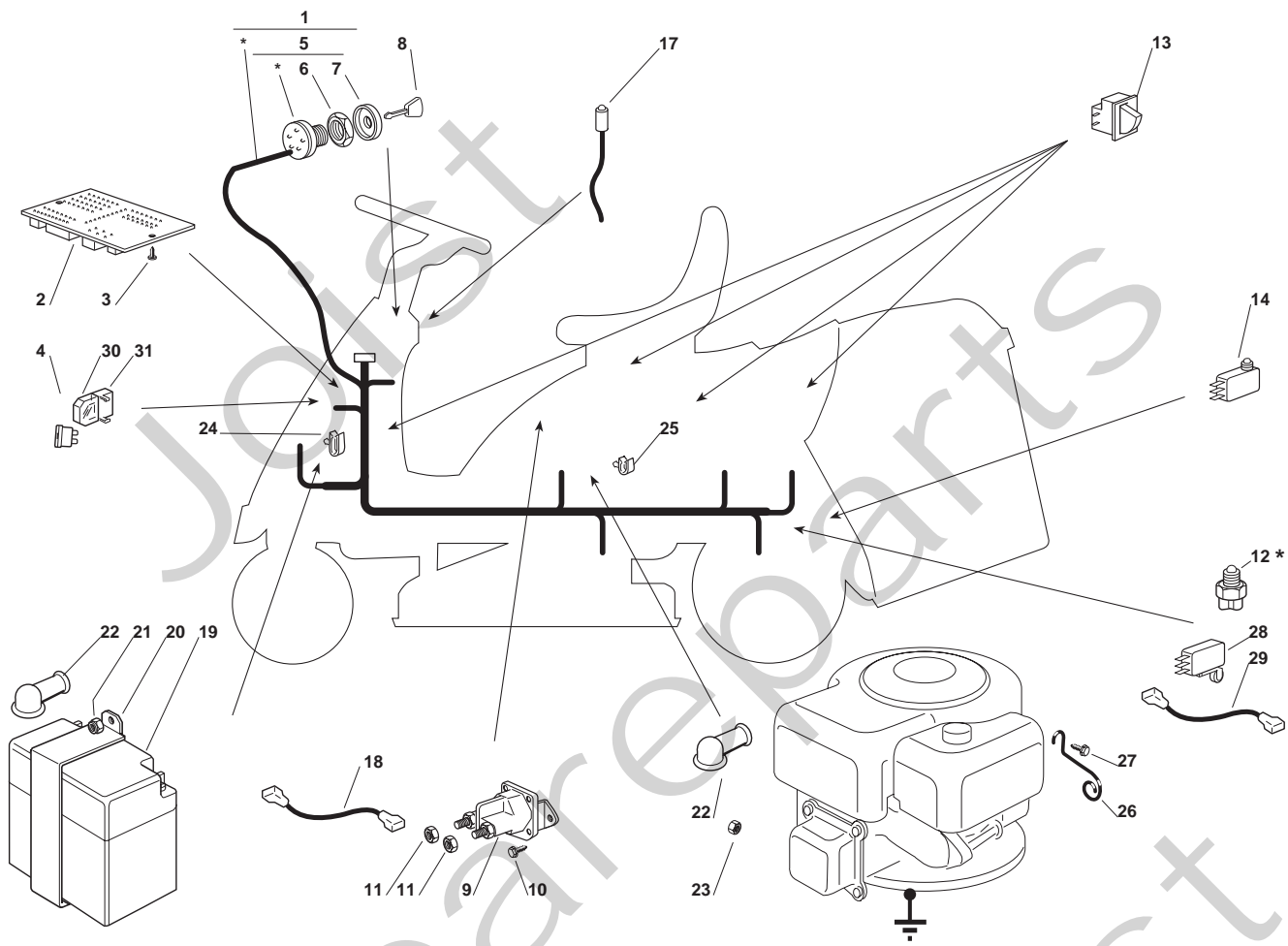


Utgåva Issue		Bildnr Picture No		GARDEN COMBI HST REGLAGE		GARDEN COMBI HST CONTROLS		Sida Page	
2007- 13		2071						40	
Pos. Fig.	Antal/Quantity				Art nr Part No	Benämning	Description	Sats Kit	Anmärkning Notes
	2512								
1	1			84503001/0	Pedal	Pedal			
2	1			25110267/0	Pedal gummi	Pedal cover			
3	1			84001015/1	Pedalaxel	Pedal shaft			
4	2			12793301/0	Skruv	Screw			
5	2			12155000/0	Mutter	Nut			
6	2			27546015/1	Bygel	Clamp			
7	4			12731350/0	Skruv	Screw			
8	1			84001011/2	P- bromsaxel	Parking brake shaft			
9	2			25547049/0	Bygel	Plate			
10	4			12731601/0	Skruv	Screw			
11	1			27430552/0	Fjäder	Spring			
12	1			27395050/1	Knopp	Knob			
13	1			27034070/0	Stång	Rod			
15	1			25510067/1	Ledbult	Pivot bolt			
16	1			25430236/0	Fjäder	Spring			
17	2			12521360/0	Bricka	Washer			
20	1			12523050/0	Bricka	Washer			
21	1			12155000/0	Mutter	Nut			
22	1			24487997/0	Låsnål	Hair pin			
23	1			25430210/0	Fjäder	Spring			
24	1			22943005/0	Skruv	Screw			
25	2			12293200/0	Mutter	Nut			
26	1			27275000/0	Gummiplugg	Grommet			
27	1			12156602/0	Mutter	Nut			
28	1			25670011/0	Bricka	Washer			
32	1			84773568/0	Fäste kpl	Bracket assy			
33	2			27045080/0	• Bussning	• Bushing			
34	1			84773561/0	Arm	Lever			
35	2			22672151/0	Bricka	Washer			
36	1			27772101/0	Bygel	Clamp			
37	1			27772103/0	Bygel	Clamp			
38	1			22672152/0	Bricka	Washer			
39	1			12523060/0	Bricka	Washer			
40	1			12155010/0	Mutter	Nut			
41	1			27734055/0	Sektor	Sector			
42	1			12794900/0	Skruv	Screw			
43	1			12155020/0	Mutter	Nut			
44	2			27158000/0	Platta	Plate			
45	2			27670053/0	Bricka	Washer			
46	1			84773565/0	Fäste	Clamp			
47	2			27063020/0	Kam	Cam			
48	2			12735110/0	Skruv	Screw			
49	1			84773563/0	Arm	Lever			
50	1			27430560/0	Fjäder	Spring			
51	1			25670008/1	Bricka	Washer			
52	1			12155020/0	Mutter	Nut			
53	1			12379511/0	Smörjnippel	Grease dispenser			
54	1			12521330/0	Bricka	Washer			
55	1			84317051/2	Växelspak	Gear lever			
56	1			25430226/0	Fjäder	Spring			
57	1			12692050/0	Skruv	Screw			
58	1			12155000/0	Mutter	Nut			
59	1			82394508/0	Knopp	Knob			
60	2			12793102/0	Skruv	Screw			
61	2			12293201/0	Mutter	Nut			
71	1			27034071/0	Stång	Rod			
72	1			25510040/1	Länkbult	Pivot bolt			
73	1			12293200/0	Mutter	Nut			
74	2			25670011/0	Bricka	Washer			
75	1			12155010/0	Mutter	Nut			
77	1			24487997/0	Låsnål	Hair pin			
80	1			84207101/1	Wire	Wire			
81	1			27772105/0	Bygel	Clamp			

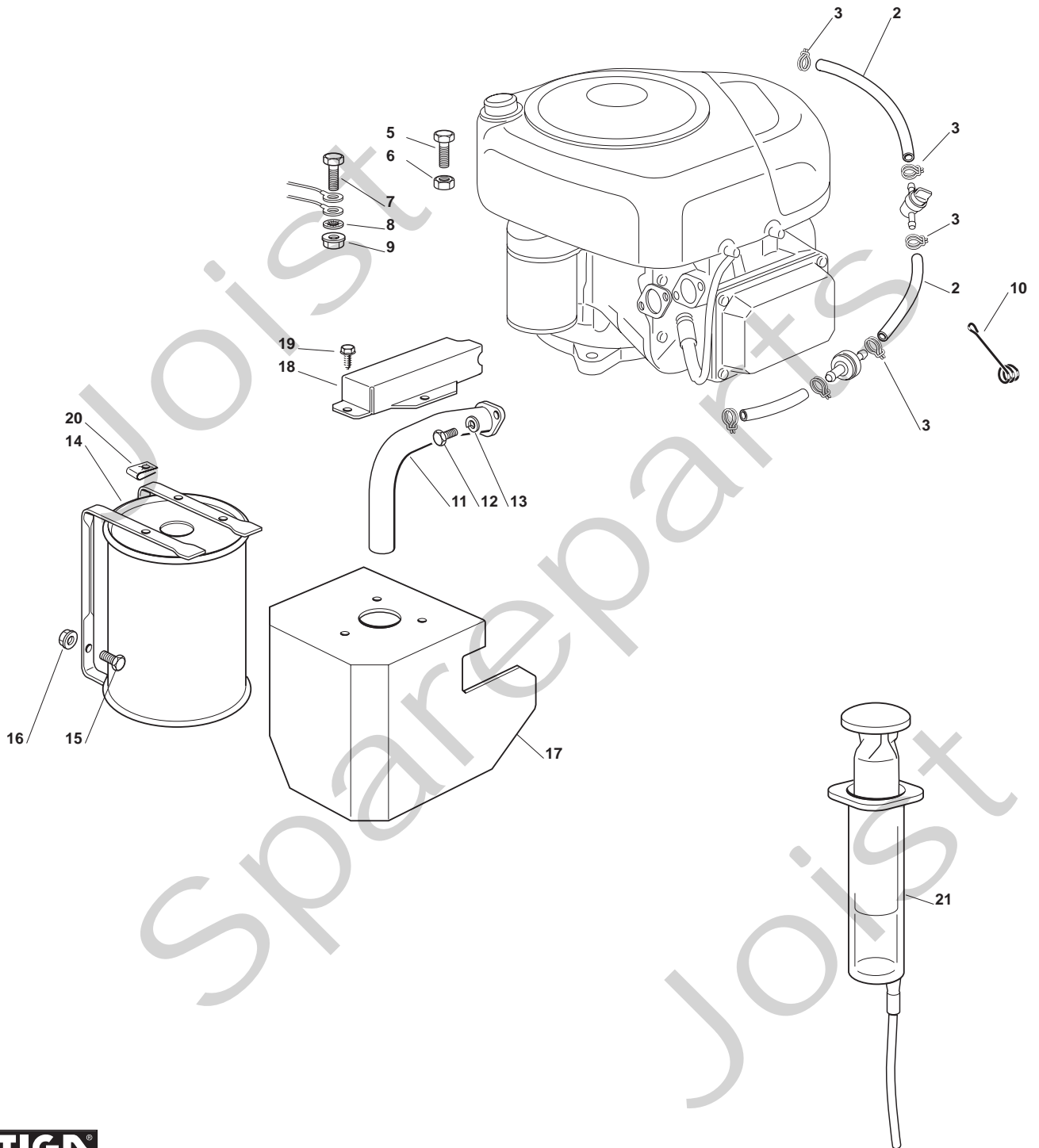
Inkl. pos 33



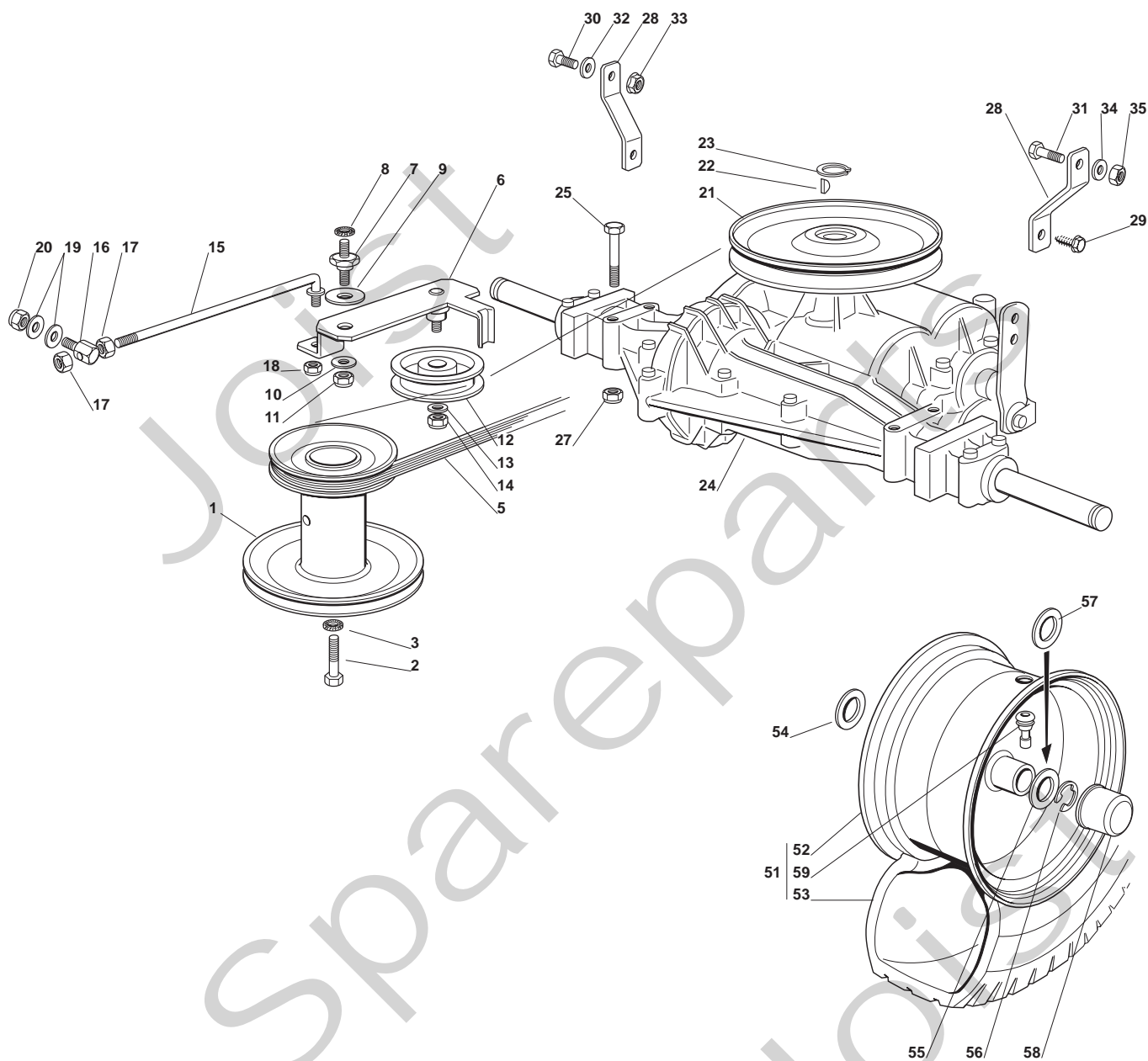
Utgåva Issue		Bildnr Picture No		GARDEN COMBI HST REGLAGE		GARDEN COMBI HST CONTROLS		Sida Page	
2007- 13		2071						42	
Pos. Fig.	Antal/Quantity				Art nr Part No	Benämning	Description	Sats Kit	Anmärkning Notes
	2512								
82	2			12791400/0	Skruv.....	Screw.....			
83	2			12521330/0	Bricka.....	Washer.....			
84	2			12292102/0	Mutter.....	Nut.....			
85	1			27034074/0	Stång.....	Rod.....			
86	1			25510040/1	Länkbult.....	Pivot bolt.....			
87	2			12293200/0	Mutter.....	Nut.....			
88	2			25670011/0	Bricka.....	Washer.....			
89	1			12155010/0	Mutter.....	Nut.....			
91	1			24487997/0	Låsnål.....	Hair pin.....			
92	1			12155000/0	Mutter.....	Nut.....			
93	2			25670011/0	Bricka.....	Washer.....			
101	2			27546047/0	Platta.....	Plate.....			
102	2			12735121/0	Skruv.....	Screw.....			
103	2			25040614/0	Bussning.....	Bushing.....			
104	1			84001023/0	Axel.....	Axle.....			
105	2			12608900/0	Seegerring.....	Seeger ring.....			
106	1			27034073/0	Stång.....	Rod.....			
107	1			27510111/0	Sprint.....	Pin.....			
108	1			24487997/0	Låsnål.....	Hair pin.....			
109	1			27510110/0	Sprint.....	Pin.....			
110	1			24487997/0	Låsnål.....	Hair pin.....			
111	1			27063022/0	Kam.....	Cam.....			
112	1			12791400/0	Skruv.....	Screw.....			
113	2			12521330/0	Bricka.....	Washer.....			
114	1			12154510/0	Mutter.....	Nut.....			
115	1			27546019/0	Platta.....	Plate.....			
116	2			12735602/0	Skruv.....	Screw.....			
117	2			12581100/0	Bricka.....	Washer.....			
118	2			12290791/0	Mutter.....	Nut.....			
119	2			12540020/0	Bricka.....	Washer.....			



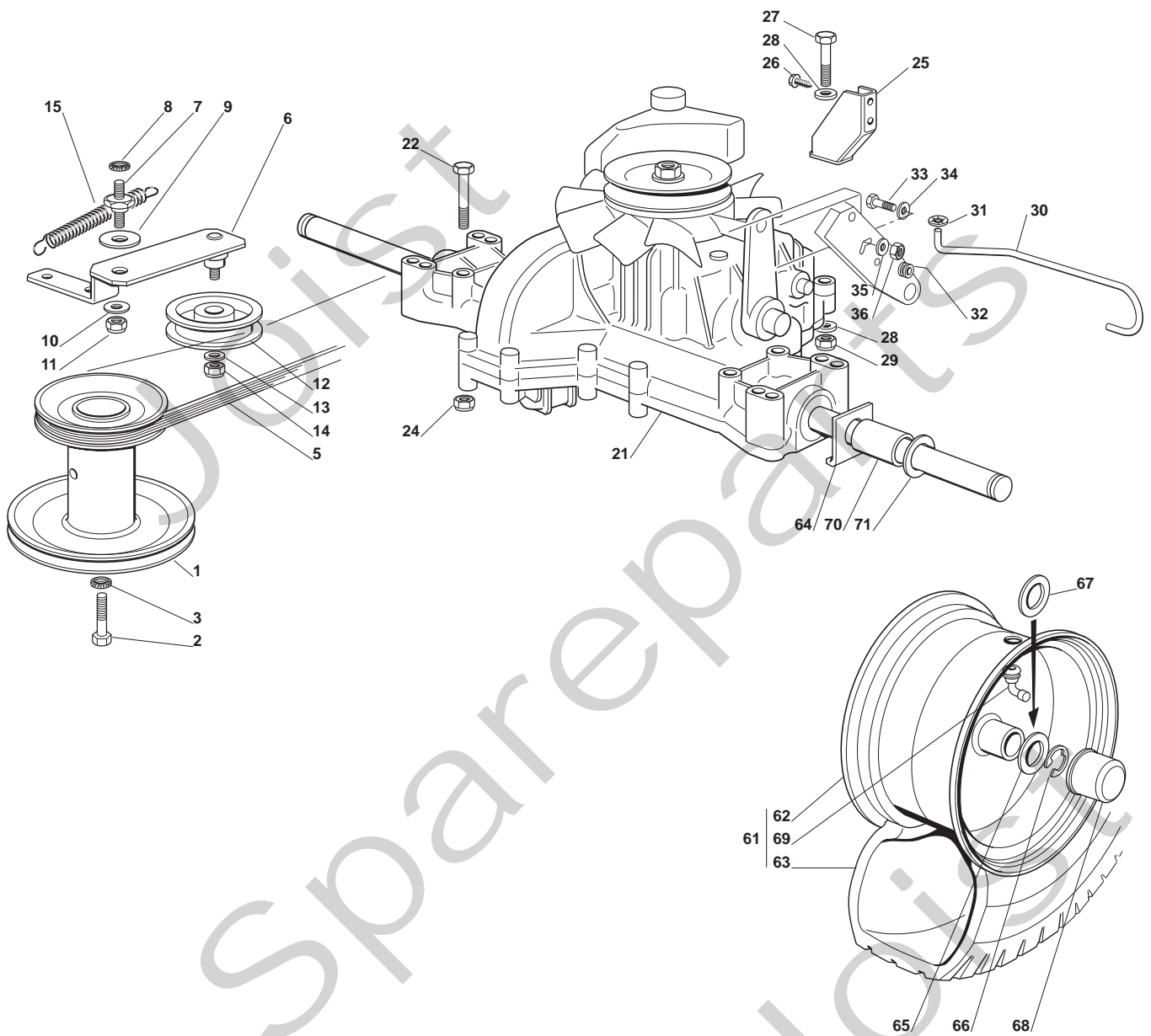
Utgåva Issue		Bildnr Picture No		GARDEN COMBI ELSYSTEM		GARDEN COMBI ELECTRIC SYSTEM		Sida Page	
2007- 13		2072A						44	
Pos. Fig.	Antal/Quantity			Art nr Part No	Benämning	Description	Sats Kit	Anmärkning Notes	
	2511	2512							
1	1	1		84040126/1	Kablage.....	Cable harness		Inkl. pos 5	
2	1	1		25722415/1	Elektronikkort	Electronic card			
3	2	2		12727810/0	Skruv	Screw			
4	1	1		33340036/0	Säkring	Fuse		25A	
4	1	1		33340040/0	Säkring	Fuse		10A	
5	1	1		18450065/1	• Tändningslås	• Ignition switch		Inkl. pos 6 - 7	
6	1	1		18400861/0	•• Mutter	•• Nut			
7	1	1		18565351/0	•• Skydd	•• Protection			
8	1	1		18210016/1	Tändningsnyckel	Ignition key			
9	1	1		18736110/0	Startrelä	Starter relay			
10	2	2		12735110/0	Skruv	Screw			
11	2	2		12360352/0	Mutter	Nut			
12	1			786194	Brytare	Neutral start switch			
13	4	4		19410606/0	Mikrobrytare	Micro switch			
14	1	1		19410605/1	Mikrobrytare	Micro switch			
17	1	1		25065014/1	Kabel	Cable			
18	1	1		27065050/0	Kabel	Cable			
19	1	1		18120002/1	Batteri	Battery			
20	1	1		27772099/1	Batterihållare	Clamp			
21	1	1		12155000/0	Mutter	Nut			
22	2	2		18564861/1	Polskydd	Protection			
23	1	1		12361005/0	Mutter	Nut			
24	3	3		33320506/0	Kabelhållare	Cable holder			
25	1	1		33320504/0	Kabelhållare	Cable holder			
26	1	1		27430561/0	Fjäder	Spring			
27	1	1		12735121/0	Skruv	Screw			
28		1		19410609/0	Brytare	Switch			
29		1		25065025/0	Kabel	Cable			
30	2	2		33215000/0	Lock	Cover			
31	2	2		33500007/0	Säkringshållare	Fuse holder			



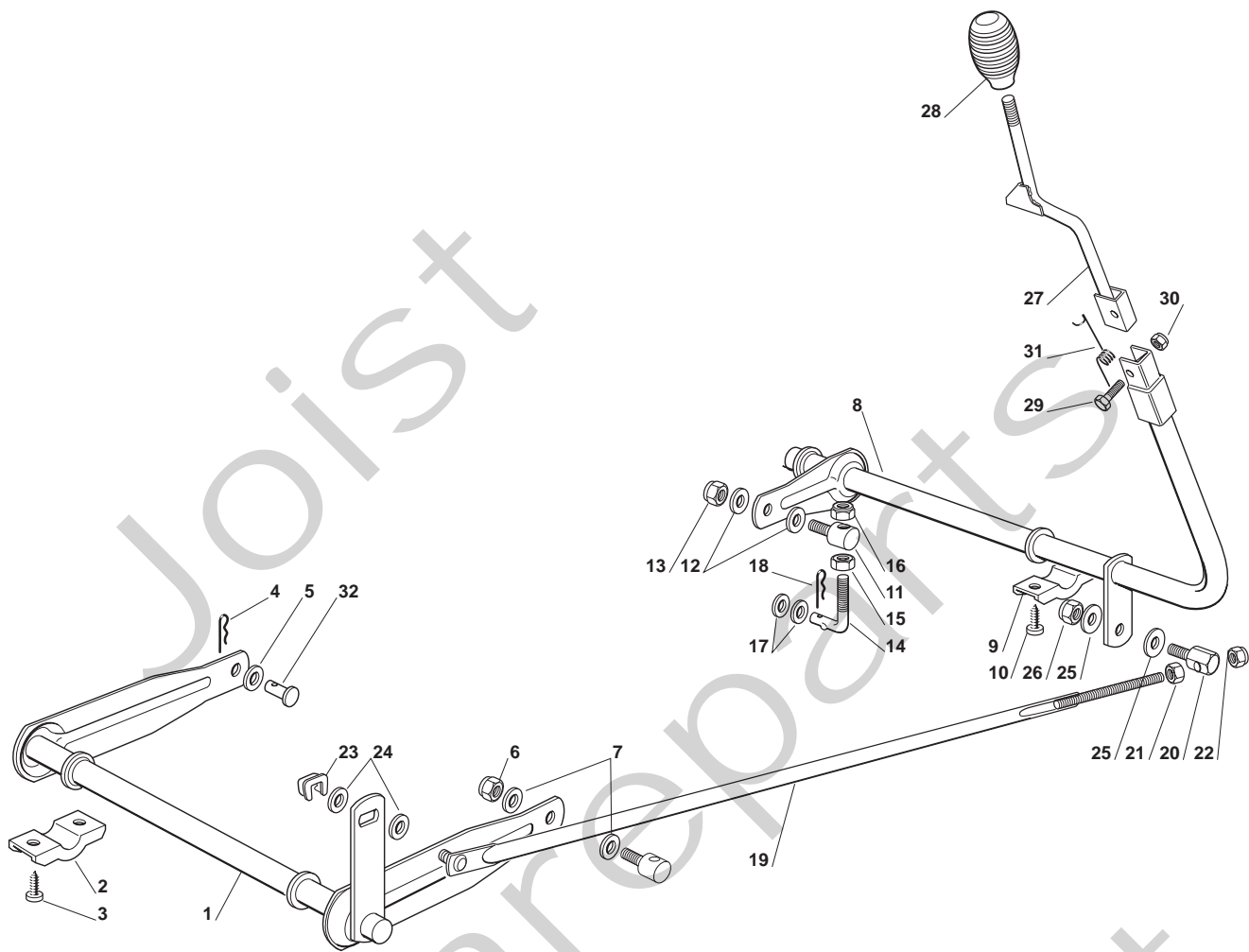
Utgåva Issue		Bildnr Picture No		GARDEN COMBI MOTOR		GARDEN COMBI ENGINE		Sida Page	
2007- 13		1700A						46	
Pos. Fig.	Antal/Quantity				Art nr Part No	Benämning	Description	Sats Kit	Anmärkning Notes
	2511	2512							
2	2				25869035/1	Bränsleslang	Fuel hose.....		
3	4				18375051/1	Slangklämma.....	Hose clamp		
5	3				12691100/0	Skruv	Screw		
6	3				12154210/0	Mutter.....	Nut		
7	1				12691115/0	Skruv	Screw		
8	1				12540260/0	Bricka	Washer		
9	1				12154210/0	Mutter.....	Nut		
10	1				25430239/1	Fjäder.....	Spring		
11	1				18738225/0	Avgasrör	Exhaust pipe		
12	2				12737450/0	Skruv	Screw		
13	2				12583500/0	Låsbricka	Washer		
14	1				82750006/1	Ljuddämpare	Muffler		
15	2				12793102/0	Skruv	Screw		
16	2				12154210/0	Mutter.....	Nut		
17	1				84598081/0	Ljuddämparskydd.....	Muffler guard		
18	1				27600137/0	Skydd	Protection		
19	3				12729601/1	Skruv	Screw		
20	3				12437504/0	Låsplatta	Lock plate		
21	1				18718000/0	Oljepump	Oil drain pump		



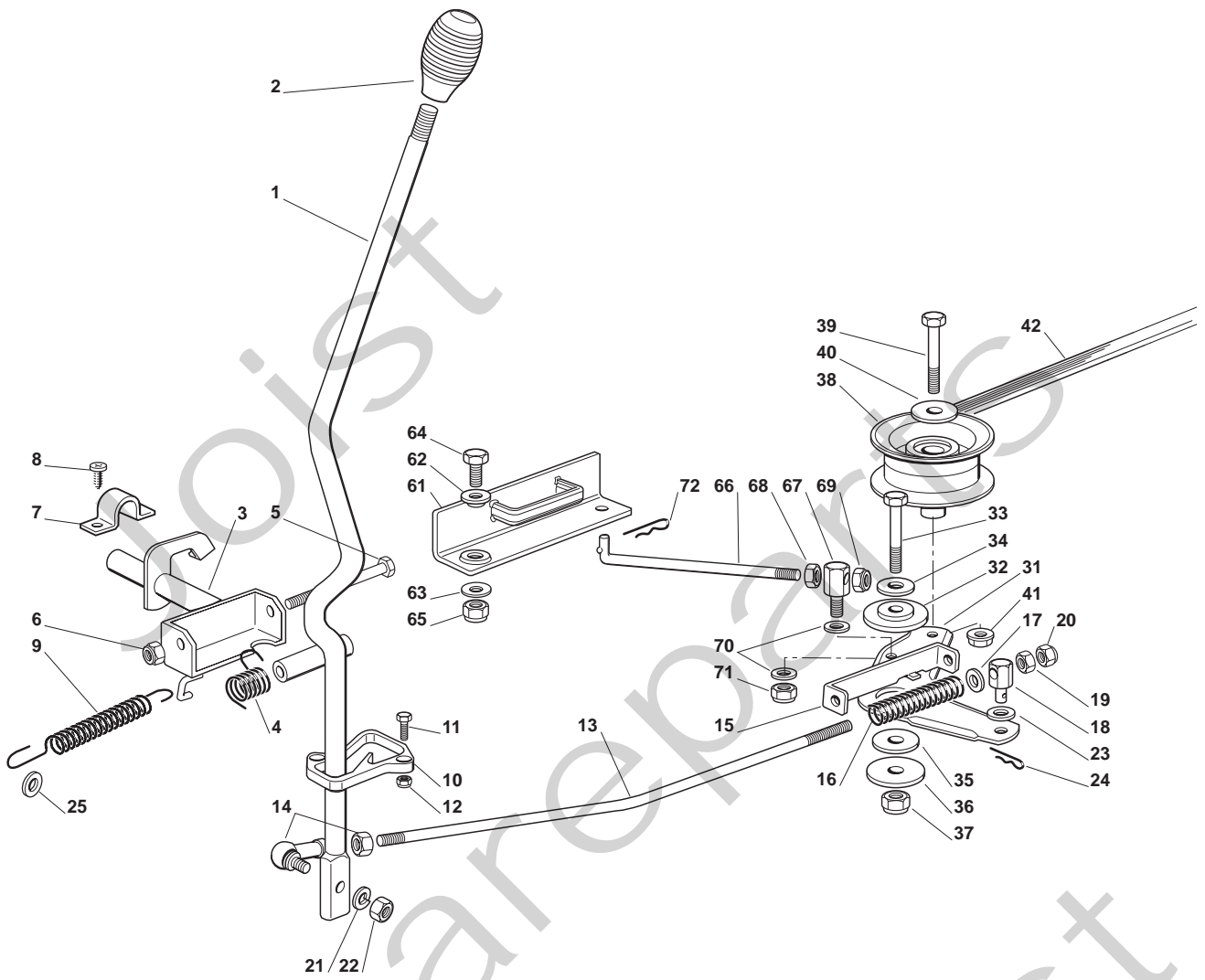
Utgåva Issue		Bildnr Picture No		GARDEN COMBI TRANSMISSION		GARDEN COMBI TRANSMISSION		Sida Page	
2007- 13		1231C						48	
Pos. Fig.	Antal/Quantity				Art nr Part No	Benämning	Description	Sats Kit	Anmärkning Notes
	2511								
1	1			27604003/1	Remskiva.....	Belt pulley			
2	1			12737310/0	Skruv	Screw			
3	1			12543000/0	Bricka	Washer			
5	1			35061400/0	Kilrem.....	V- belt.....			
6	1			84317055/1	Spännarm.....	Tension arm			
7	1			27510096/0	Pinnbult.....	Stud bolt			
8	1			12540260/0	Bricka	Washer			
9	1			22672151/0	Bricka	Washer			
10	1			25670011/0	Bricka	Washer			
11	1			12155010/0	Mutter.....	Nut			
12	1			25601554/0	Spännrulle	Tension roller			
13	1			12523060/0	Bricka	Washer			
14	1			12155000/0	Mutter.....	Nut			
15	1			27034054/0	Spännstång	Tie rod			
16	1			25510040/1	Länkbult.....	Pivot bolt.....			
17	2			12293200/0	Mutter.....	Nut			
18	1			12155000/0	Mutter.....	Nut			
19	2			25670011/0	Bricka	Washer			
20	1			12155000/0	Mutter.....	Nut			
21	1			82601503/0	Remskiva.....	Belt pulley			
22	1			12139430/0	Kil	Key			
23	1			12608950/0	Låsring	Snap ring			
24	1			18400915/2	Transaxel kpl.....	Transaxle assy.....		Peerless MST 205- 541E	
25	4			12691800/0	Skruv	Screw			
27	4			12154210/0	Mutter.....	Nut			
28	2			27772067/0	Momentstag	Stay			
29	2			12735150/0	Skruv	Screw			
30	1			12793102/0	Skruv	Screw			
31	1			12793301/0	Skruv	Screw			
32	1			12523060/0	Bricka	Washer			
33	1			12293201/0	Mutter.....	Nut			
34	1			12521350/0	Bricka	Washer			
35	1			12155000/0	Mutter.....	Nut			
51	2			84680050/1	Hjul kpl	Wheel assy.....		Turf Saver Deli	
51	2			84680053/1	Hjul kpl	Wheel assy.....			
52	1			84044001/0	• Fälg	• Rim			
53	1			27590051/0	• Däck	• Tire		Turf Saver Deli	
53	1			27590053/0	• Däck	• Tire			
54	2			12521410/0	Bricka	Washer			
55	2			25670005/1	Bricka	Washer			
56	2			12001010/0	Låsring	Snap ring			
57	0-4			12520010/0	Bricka	Washer			
58	2			22110230/0	Lock	Cap			
59	1			25950000/0	• Ventil	• Valve			



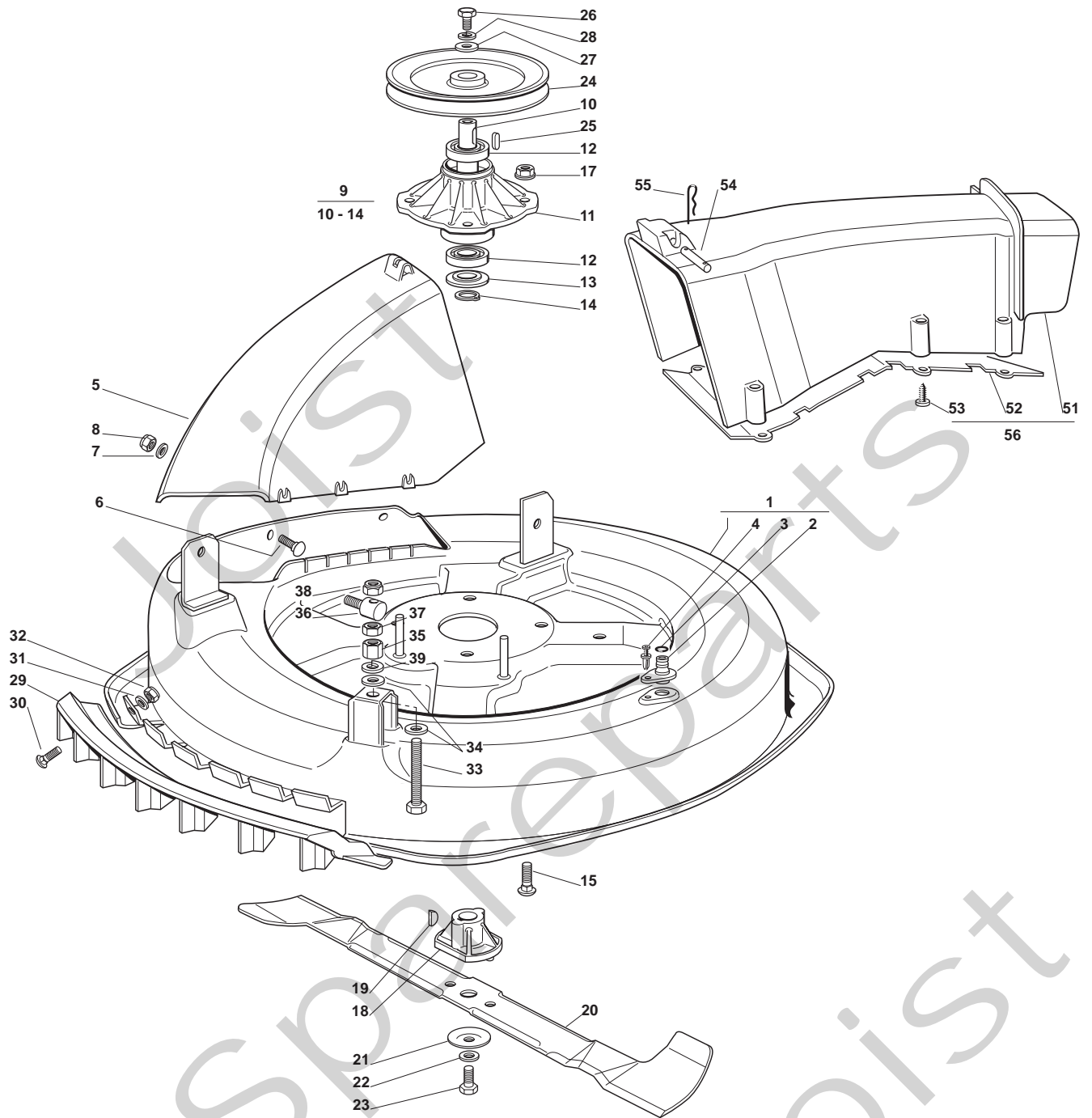
Utgåva Issue		Bildnr Picture No		GARDEN COMBI HST TRANSMISSION		GARDEN COMBI HST TRANSMISSION		Sida Page	
2007- 13		2073A						50	
Pos. Fig.	Antal/Quantity				Art nr Part No	Benämning	Description	Sats Kit	Anmärkning Notes
	2512								
1	1			27604005/0	Remskiva.....	Belt pulley.....			
2	1			12737310/0	Skruv.....	Screw.....			
3	1			12543000/0	Bricka.....	Washer.....			
5	1			35061404/0	Kilrem.....	V- belt.....			
6	1			84317081/0	Spännarm.....	Tension arm.....			
7	1			27510096/0	Pinnbult.....	Stud bolt.....			
8	1			12540260/0	Bricka.....	Washer.....			
9	1			22672151/0	Bricka.....	Washer.....			
10	1			25670011/0	Bricka.....	Washer.....			
11	1			12155010/0	Mutter.....	Nut.....			
12	1			25601554/0	Spännrulle.....	Tension roller.....			
13	1			12523060/0	Bricka.....	Washer.....			
14	1			12155000/0	Mutter.....	Nut.....			
15	1			22446402/0	Fjäder.....	Spring.....			
21	1			18400965/0	Transaxel kpl.....	Transaxle assy.....		Kanzaki K46T	
22	4			12691800/0	Skruv.....	Screw.....			
24	4			12154210/0	Mutter.....	Nut.....			
25	1			84783019/0	Momentstag.....	Stay.....			
26	1			12735121/0	Skruv.....	Screw.....			
27	1			12691200/0	Skruv.....	Screw.....			
28	1			12521350/0	Bricka.....	Washer.....			
29	1			12155000/0	Mutter.....	Nut.....			
30	1			27034069/0	Spak.....	Lever.....			
31	1			12000930/0	Låsring.....	Snap ring.....			
32	1			18564512/0	Hylsa.....	Grommet.....			
33	1			12793301/0	Skruv.....	Screw.....			
34	1			12523060/0	Bricka.....	Washer.....			
35	1			12521350/0	Bricka.....	Washer.....			
36	1			12155000/0	Mutter.....	Nut.....			
61	2			84680050/1	Hjul kpl.....	Wheel assy.....		Turf Saver	
61	2			84680053/1	Hjul kpl.....	Wheel assy.....		Deli	
62	1			84044001/0	• Fälg.....	• Rim.....			
63	1			27590051/0	• Däck.....	• Tire.....		Turf Saver	
63	1			27590053/0	• Däck.....	• Tire.....		Deli	
64	2			25670017/0	Bricka.....	Washer.....			
65	2			25670005/1	Bricka.....	Washer.....			
66	2			12001010/0	Låsring.....	Snap ring.....			
67	0-4			25670006/0	Bricka.....	Washer.....			
68	2			22110230/0	Lock.....	Cap.....			
69	1			25950000/0	• Ventil.....	• Valve.....			
70	2			25160031/0	Distans.....	Spacer.....			
71	2			25670005/1	Bricka.....	Washer.....			



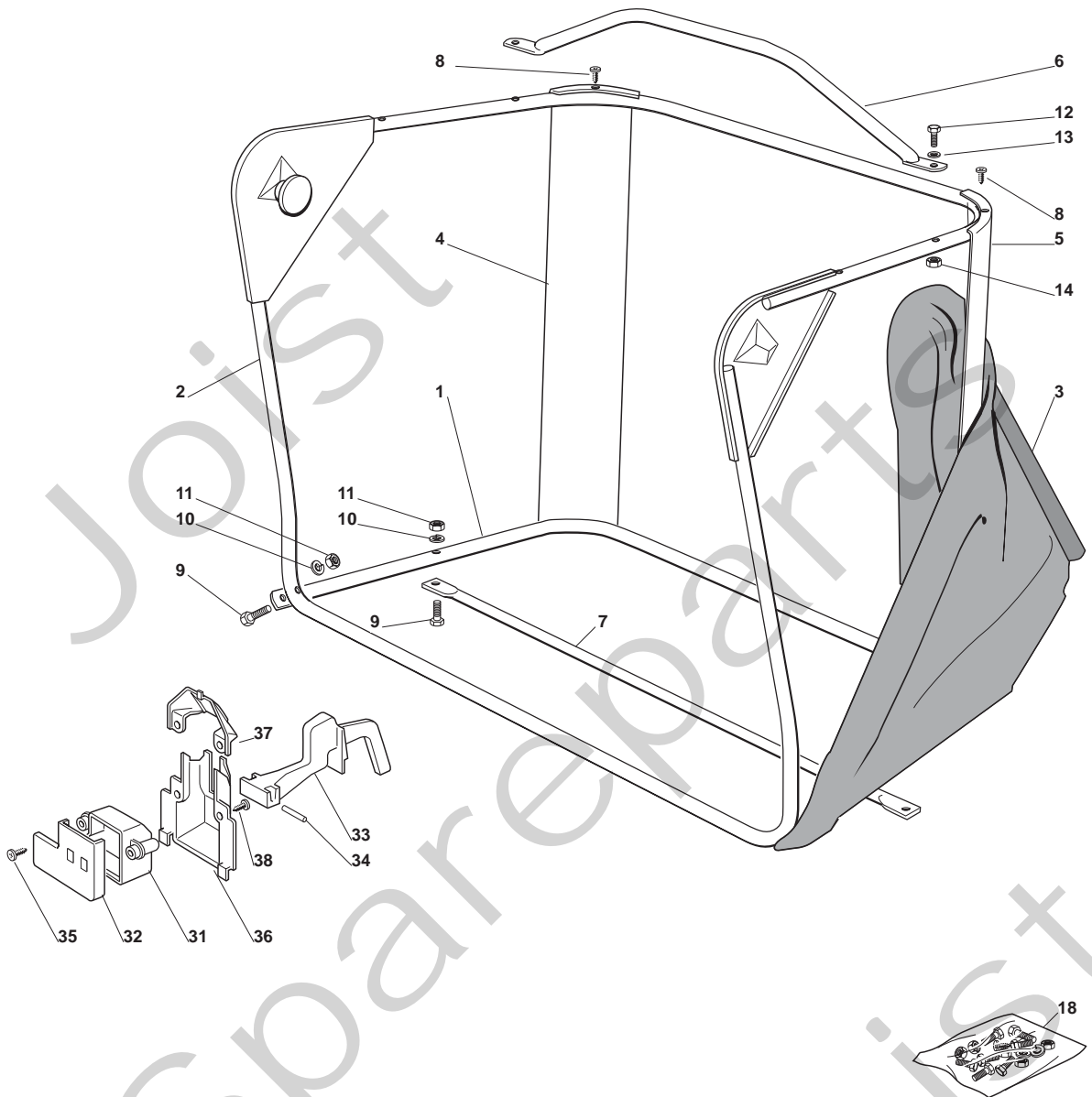
Utgåva Issue		Bildnr Picture No		GARDEN COMBI AGGREGATSLYFT		GARDEN COMBI MOWER DECK LIFT		Sida Page	
2007- 13		1232B						52	
Pos. Fig.	Antal/Quantity				Art nr Part No	Benämning	Description	Sats Kit	Anmärkning Notes
	2511	2512							
1	1			84001025/0	Lyftaxel	Lift axle			
2	2			27546015/1	Bygel	Clamp			
3	4			12731350/0	Skruv	Screw			
4	1			24487997/0	Låsnål	Hair pin			
5	1			25670008/1	Bricka	Washer			
6	1			12156602/0	Mutter	Nut			
7	2			25670008/1	Bricka	Washer			
8	1			84001005/2	Lyftaxel	Lift axle			
9	2			27546015/1	Bygel	Clamp			
10	4			12731350/0	Skruv	Screw			
11	1			25510007/1	Länkbult	Pivot bolt			
12	2			25670008/1	Bricka	Washer			
13	1			12156602/0	Mutter	Nut			
14	1			25840003/2	Lyftlänk	Lift tie rod			
15	1			12295200/0	Mutter	Nut			
16	1			12156602/0	Mutter	Nut			
17	2			22672150/0	Bricka	Washer			
18	1			24487997/0	Låsnål	Hair pin			
19	1			84002051/0	Lyftstång	Lift rod			
20	1			25510040/1	Länkbult	Pivot bolt			
21	1			12293200/0	Mutter	Nut			
22	1			12155000/0	Mutter	Nut			
23	1			12436050/0	Låsplatta	Plate			
24	2			25670011/0	Bricka	Washer			
25	2			25670011/0	Bricka	Washer			
26	1			12155000/0	Mutter	Nut			
27	1			84317065/1	Lyftspak	Lift lever			
28	1			25394510/0	Knopp	Knob			
29	1			12674700/0	Skruv	Screw			
30	1			12154510/0	Mutter	Nut			
31	1			27430555/0	Fjäder	Spring			
32	1			27510114/0	Sprint	Pin			



Utgåva Issue		Bildnr Picture No		GARDEN COMBI AGGREGATSINKOPPLING		GARDEN COMBI MOWER DECK ENGAGEMENT		Sida Page	
2007- 13		1233B						54	
Pos. Fig.	Antal/Quantity				Art nr Part No	Benämning	Description	Sats Kit	Anmärkning Notes
	2511	2512							
1	1			84317069/0	Inkopplingsspak	Engagement lever			
2	1			25394510/0	Knopp	Knob			
3	1			84001007/0	Axel	Axle			
4	1			25430226/0	Fjäder	Spring			
5	1			12692050/0	Skruv	Screw			
6	1			12155000/0	Mutter	Nut			
7	2			25547049/0	Bygel	Plate			
8	4			12731601/0	Skruv	Screw			
9	1			27430571/0	Fjäder	Spring			
10	1			27487000/0	Glidblock	Shoe			
11	2			12791200/0	Skruv	Screw			
12	2			12154510/0	Mutter	Nut			
13	1			27034078/0	Stång	Rod			
14	1			22746601/0	Vinkellänk	Ball joint			
15	1			27772143/0	Bygel	Clamp			
16	1			27430576/0	Fjäder	Spring			
17	1			12521350/0	Bricka	Washer			
18	1			27510113/0	Länkbult	Pivot bolt			
19	1			12293200/0	Mutter	Nut			
20	1			12155000/0	Mutter	Nut			
21	1			12583500/0	Låsbricka	Washer			
22	1			12293200/0	Mutter	Nut			
23	1			25670008/1	Bricka	Washer			
24	1			24487997/0	Låsnål	Hair pin			
25	1			25670006/0	Bricka	Washer			
31	1			84317083/0	Spännarm	Tension arm			
32	1			27047000/0	Bussning	Bushing			
33	1			12691200/0	Skruv	Screw			
34	1			12523060/0	Bricka	Washer			
35	1			22672152/0	Bricka	Washer			
36	1			12523070/0	Bricka	Washer			
37	1			12155000/0	Mutter	Nut			
38	1			27604008/0	Spännrulle	Tension roller			
39	1			12691600/0	Skruv	Screw			
40	1			12523060/0	Bricka	Washer			
41	1			12293201/0	Mutter	Nut			
42	1			35061423/0	Kilrem	V- belt			
61	1			84220501/0	Broms	Brake			
62	1			22041980/0	Distans	Spacer			
63	1			22672152/0	Bricka	Washer			
64	1			12793102/0	Skruv	Screw			
65	1			12155010/0	Mutter	Nut			
66	1			27034077/0	Stång	Rod			
67	1			25510040/1	Länkbult	Pivot bolt			
68	1			12293200/0	Mutter	Nut			
69	1			12155000/0	Mutter	Nut			
70	2			25670011/0	Bricka	Washer			
71	1			12155000/0	Mutter	Nut			
72	1			24487997/0	Låsnål	Hair pin			



Utgåva Issue		Bildnr Picture No		GARDEN COMBI KLIPPAGGREGAT		GARDEN COMBI MOWER DECK		Sida Page	
2007- 13		1234C						56	
Pos. Fig.	Antal/Quantity				Art nr Part No	Benämning	Description	Sats Kit	Anmärkning Notes
	2511	2512							
0	1				84564099/0	Klippaggregat kpl.....	Mower deck assy		
1	1				84564097/0	Kåpa- klippaggregat	Casing- mower deck.....		Inkl. pos 2 - 4
2	1				25033060/0	• Vattenslanganslutning	• Water hose connection.....		
3	1				19035000/0	• O- ring.....	• O- ring		
4	1				12500030/0	• Nit.....	• Rivet.....		
5	1				27045000/1	Utkasttratt.....	Conveyor inlet		
6	6				12815210/0	Skruv.....	Screw.....		
7	6				12523040/0	Bricka.....	Washer.....		
8	6				12154510/0	Mutter.....	Nut.....		
9	1				84207250/0	Lagerbox kpl.....	Bearing box assy.....		Inkl. pos 10 - 14
10	1				27023000/0	• Knivaxel.....	• Blade shaft		
11	1				27208402/0	• Lagerbox.....	• Bearing box		
12	2				19216032/0	• Kullager	• Ball bearing		
13	1				25160501/0	• Dammskydd	• Dust cover		
14	1				12609260/0	• Seegerring	• Seeger ring.....		
15	4				12818700/0	Skruv.....	Screw.....		
17	4				12154210/0	Mutter.....	Nut.....		
18	1				25463200/0	Knivfäste.....	Blade holder		
19	1				12139100/0	Kil	Key.....		
20	1				84109503/0	Kniv	Blade		
21	1				22160400/0	Bricka.....	Elastic washer		
22	1				12523080/0	Bricka.....	Washer.....		
23	1				12735694/0	Skruv.....	Screw.....		
24	1				27604009/0	Remskiva.....	Belt pulley		
25	1				12139480/0	Kil	Key.....		
26	1				12793102/0	Skruv.....	Screw.....		
27	1				25670007/0	Bricka.....	Washer.....		
28	1				12583500/0	Låsbricka.....	Washer.....		
29	1				27488000/0	Luftintag.....	Air intake grill.....		
30	4				12815200/0	Skruv.....	Screw.....		
31	4				12521340/0	Bricka.....	Washer.....		
32	4				12154510/0	Mutter.....	Nut.....		
33	1				12794970/0	Skruv.....	Screw.....		
34	2				12523080/0	Bricka.....	Washer.....		
35	1				12154250/0	Mutter.....	Nut.....		
36	1				25510007/1	Länkbult.....	Pivot bolt.....		
37	1				12295200/0	Mutter.....	Nut.....		
38	1				12156602/0	Mutter.....	Nut.....		
39	1				12585100/0	Låsbricka.....	Grower		
51	1				27107501/0	• Utkast	• Conveyor		
52	1				27140051/1	• Deflektor	• Deflector		
53	8				12735402/0	• Skruv	• Screw		
54	1				27510097/1	Sprint.....	Pin		
55	2				24487997/0	Låsnål.....	Hair pin		
56	1				84108051/0	Utkast kpl	Conveyor assy.....		Inkl. pos 51 - 53



Utgåva Issue		Bildnr Picture No		GARDEN COMBI GRÄSUPPSAMLARE		GARDEN COMBI GRASS CATCHER		Sida Page	
2007- 13		1235B						58	
Pos. Fig.	Antal/Quantity				Art nr Part No	Benämning	Description	Sats Kit	Anmärkning Notes
	2511	2512							
1	1				84801103/0	Ram- nedre	Frame- lower		
2	1				84801105/1	Ram- övre	Frame- upper		
3	1				84106050/1	Uppsamlingssäck	Grass bag		
4	1				27010205/0	Vinkelstöd- hö	Angle support- RH		
5	1				27010207/0	Vinkelstöd- vä	Angle support- LH		
6	1				84869051/0	Stag	Rod		
7	1				84650100/0	Förstärkning	Reinforcement		
8	4				12729601/1	• Skruv	• Screw		
9	4				12792099/0	• Skruv	• Screw		
10	4				12582101/0	• Låsbricka	• Grower		
11	4				12292100/0	• Mutter	• Nut		
12	2				12674701/0	• Skruv	• Screw		
13	2				12521331/0	• Bricka	• Washer		
14	2				12154510/0	• Mutter	• Nut		
18	1				84180180/0	Skruvsats	Screw set		Inkl. pos 8 - 14
31	1				25600041/0	Brytarskydd	Switch protection		
32	1				25600042/0	Skyddslock	Protection cover		
33	1				25318124/0	Arm	Lever		
34	1				12400030/0	Sprint	Pin		
35	1				12728510/0	Skruv	Screw		
36	1				25600047/0	Brytarskydd	Switch protection		
37	1				25600048/0	Skyddslock	Protection cover		
38	2				12728450/0	Skruv	Screw		