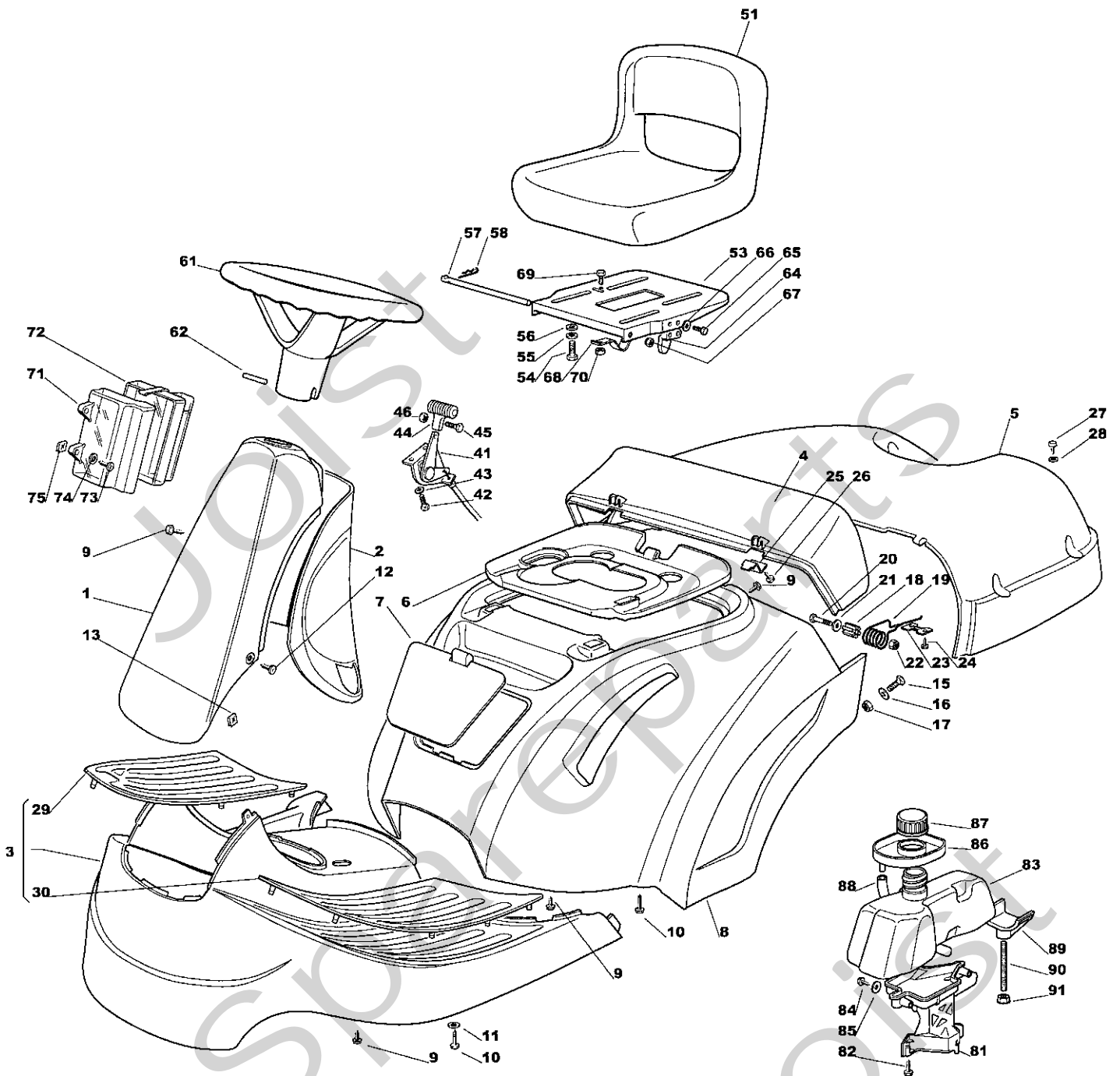


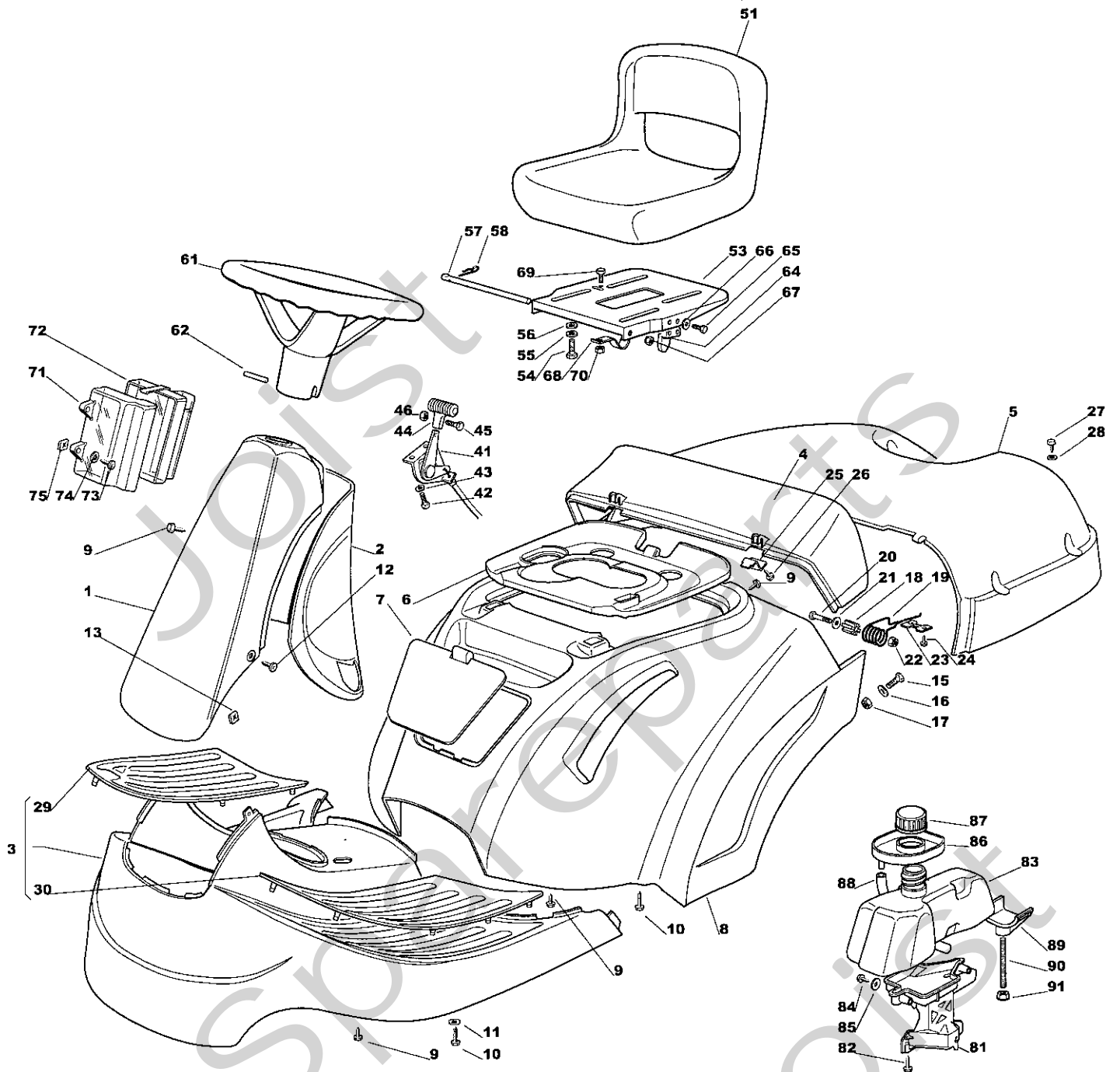
Genuine Spare Parts



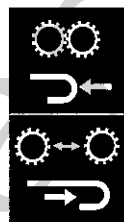
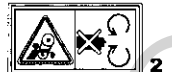
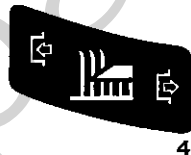
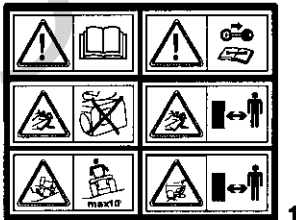
Joist
Spareparts
Joist



Utgåva Issue		Bildnr Picture No		GARDEN COMBI GARDEN COMBI HST KAROSS		GARDEN COMBI GARDEN COMBI HST BODY WORK		Sida Page	
2006-13		1227D						28	
Pos. Fig.	Antal/Quantity			Art nr Part No	Benämning	Description	Sats Kit	Anmärkning Notes	
	2511	2512							
1	1	1		1136-0585-01	Kåpa-främre.....	Cover-front.....			
2	1	1		1136-0415-01	Kåpa-bakre.....	Cover-rear.....			
3	1	1		1136-0571-01	Fotstegskåpa.....	Footboard cover.....		Inkl. pos 29, 30	
4	1	1		1136-0382-01	Uppsamlarlock-fast.....	Grass bag cover-fixed.....			
5	1	1		1136-0383-01	Uppsamlarlock-rörligt.....	Grass bag cover-mobil.....			
6	1	1		1136-0381-01	Motorlucka.....	Engine cover.....			
7	1	1		1136-0378-01	Frontlucka.....	Front cover.....			
8	1			1136-0572-01	Hjulkåpa.....	Wheel cover.....			
8		1		1136-1069-01	Hjulkåpa.....	Wheel cover.....			
9	10	10		9836-9618-12	Skruv.....	Screw.....			
10	8	8		9836-9635-12	Skruv.....	Screw.....			
11	4	4		9699-0060-02	Planbricka.....	Flat washer.....			
12	2	2		9941-0512-16	Skruv.....	Screw.....			
13	2	2		1136-0011-01	Låsplatta.....	Lock plate.....			
15	2	2		9997-0616-16	Skruv.....	Screw.....			
16	2	2		9699-0060-02	Planbricka.....	Flat washer.....			
17	2	2		9747-0631-02	Låsmutter.....	Lock nut.....			
18	2	2		1136-0375-01	Bussning.....	Bushing.....			
19	2	2		1136-0393-01	Fjäder.....	Spring.....			
20	2	2		9997-0845-12	Skruv.....	Screw.....			
21	2	2		1136-0014-01	Bricka.....	Washer.....			
22	2	2		9747-0831-02	Mutter.....	Lock nut.....			
23	2	2		1136-0404-01	Platta.....	Plate.....			
24	4	4		9836-9618-12	Skruv.....	Screw.....			
25	2	2		1136-0405-01	Plåt.....	Plate.....			
26	2	2		9836-9618-12	Skruv.....	Screw.....			
27	4	4		9847-8116-16	Skruv.....	Screw.....			
28	4	4		9699-0035-02	Planbricka.....	Flat washer.....			
29	1	1		1136-0379-01	• Fotstegsskydd-hö.....	• Footboard cover-RH.....			
30	1	1		1136-0380-01	• Fotstegsskydd-vä.....	• Footboard cover-LH.....			
41	1	1		1136-0556-01	Gasreglage.....	Throttle control.....			
42	2	2		9997-0412-16	Skruv.....	Screw.....			
43	2	2		9683-0010-02	Bricka.....	Washer.....			
44	1	1		1136-0192-01	Knopp.....	Handle.....			
45	1	1		9865-0412-16	Skruv.....	Screw.....			
46	1	1		9799-0431-02	Mutter.....	Nut.....			
51	1	1		1136-0315-01	Sits.....	Seat.....			
53	1	1		1136-0252-01	Sitsplatta.....	Seat plate.....			
54	4	4		9997-0820-16	Skruv.....	Screw.....			
55	4	4		9683-0030-02	Låsbricka.....	Lock washer.....			
56	4	4		9699-0056-02	Planbricka.....	Flat washer.....			
57	1	1		1136-1017-01	Axel.....	Pin.....			
58	1	1		1136-0095-01	Låsnål.....	Hair pin.....			
61	1	1		1136-0360-01	Raft.....	Steering wheel.....			
62	1	1		9595-0272-00	Stift.....	Pin.....			
64	1	1		1136-0942-01	Kam.....	Cam.....			
65	2	2		1136-0820-01	Skruv.....	Screw.....			
66	2	2		9699-0018-02	Bricka.....	Washer.....			
67	2	2		9747-0531-02	Mutter.....	Nut.....			
68	1	1		1136-0891-01	Fjäder.....	Spring.....			
69	1	1		9997-0512-16	Skruv.....	Screw.....			
70	1	1		9747-0531-02	Mutter.....	Nut.....			
71	1	1		1136-0275-01	Skydd-övre.....	Guard-upper.....			
72	1	1		1136-0276-01	Skydd-nedre.....	Guard-lower.....			
73	2	2		9847-8038-16	Skruv.....	Screw.....			
74	2	2		9699-0024-02	Planbricka.....	Flat washer.....			
75	2	2		1136-0010-01	Låsplatta.....	Lock plate.....			
81	1	1		1136-1491-01	Stöd.....	Support.....			
82	3	3		9836-9635-12	Skruv.....	Screw.....			
83	1	1		1136-1490-01	Bränsletank.....	Fuel tank.....			
84	2	2		9836-9635-12	Skruv.....	Screw.....			
85	2	2		9699-0060-02	Planbricka.....	Flat washer.....			
86	1	1		1136-1488-01	Skydd.....	Guard.....			



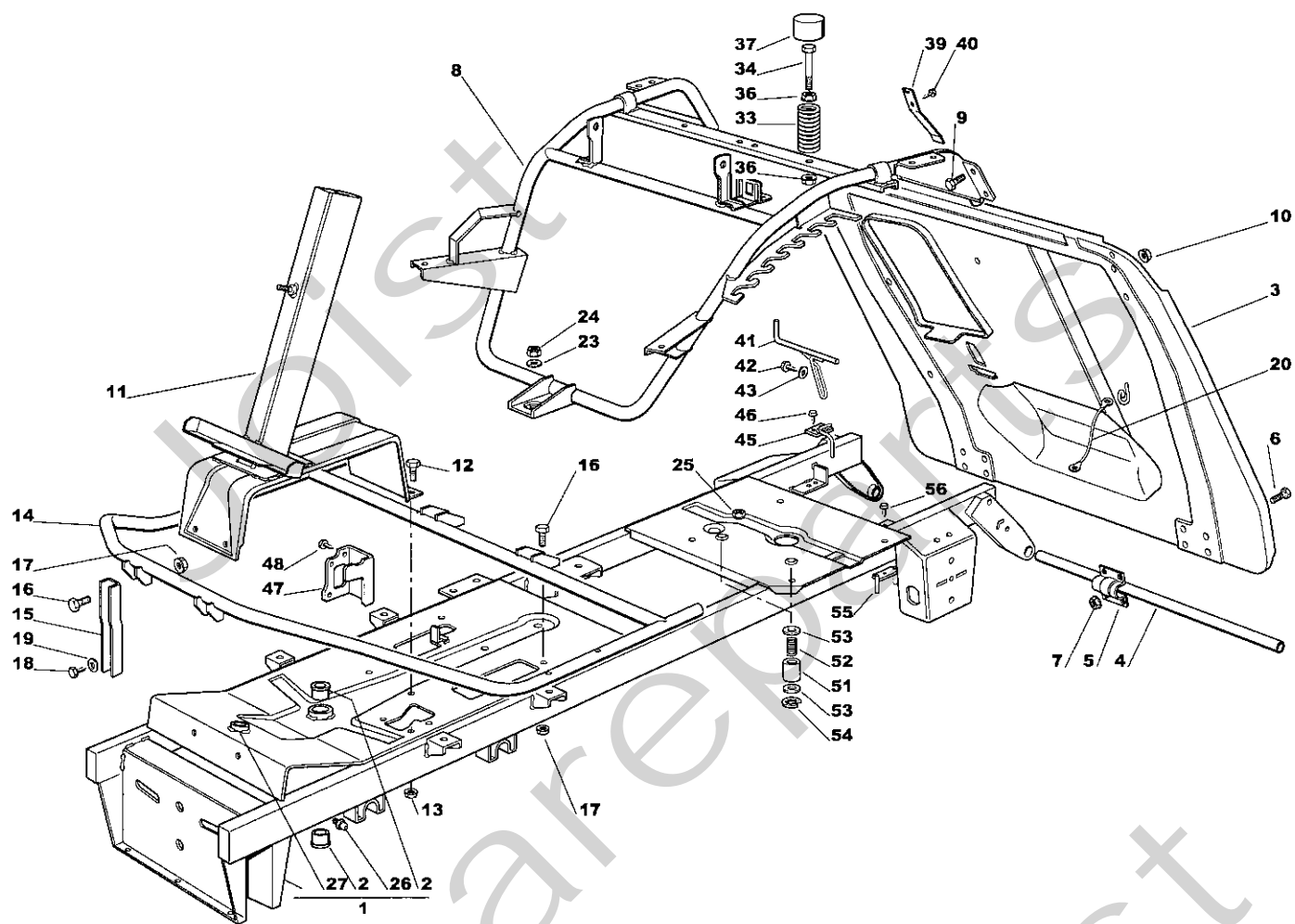
Utgåva Issue		Bildnr Picture No		GARDEN COMBI GARDEN COMBI HST KAROSS		GARDEN COMBI GARDEN COMBI HST BODY WORK		Sida Page	
Pos. Fig.	Antal/Quantity			Art nr Part No	Benämning	Description	Sats Kit	Anmärkning Notes	
	2511	2512							
87	1	1		1136-0344-01	Tanklock	Tank cap			
88	1	1		1136-1478-01	Slang	Tube			
89	1	1		1136-1492-01	Stöd	Support			
90	1	1		1136-1487-01	Pinnbult	Stud			
91	2	2		9739-0831-22	Mutter	Nut			



Utgåva Issue		Bildnr Picture No		GARDEN COMBI GARDEN COMBI HST DEKALER		GARDEN COMBI GARDEN COMBI HST LABELS		Sida Page	
Pos. Fig.	Antal/Quantity			Art nr Part No	Benämning	Description	Sats Kit	Anmärkning Notes	
	2511	2512							
1	1	1		1136-0035-01	Dekal	Label			
2	1	1		1136-0037-01	Dekal	Label			
3	1	1		1136-0032-01	Dekal	Label			
4	1	1		1136-0036-01	Dekal	Label			
5	1	1		1136-0038-01	Dekal	Label			
6	1	1		1136-0034-01	Dekal	Label			
7	1			1136-0033-01	Dekal	Label			
8		1		1136-0826-01	Dekal	Label			
9		1		1136-2054-01	Dekal	Label			
10	2	2		1136-0021-01	Dekal	Label			
11	1	1		1136-1635-01	Dekal	Label			
99	2			1136-1442-01	Dekal "Combi"	Label "Combi"		Ej ill/not ill.	
99		2		1136-1443-01	Dekal "Combi HST"	Label "Combi HST"		Ej ill/not ill.	
99	1	1		1136-1451-01	Dekal "STIGA"	Label "STIGA"		Ø 55 mm	
99	3	3		1136-1452-01	Dekal "STIGA"	Label "STIGA"		80 x 20 mm	
99	1	1		1136-1453-01	Dekal "STIGA"	Label "STIGA"		140 x 33 mm	

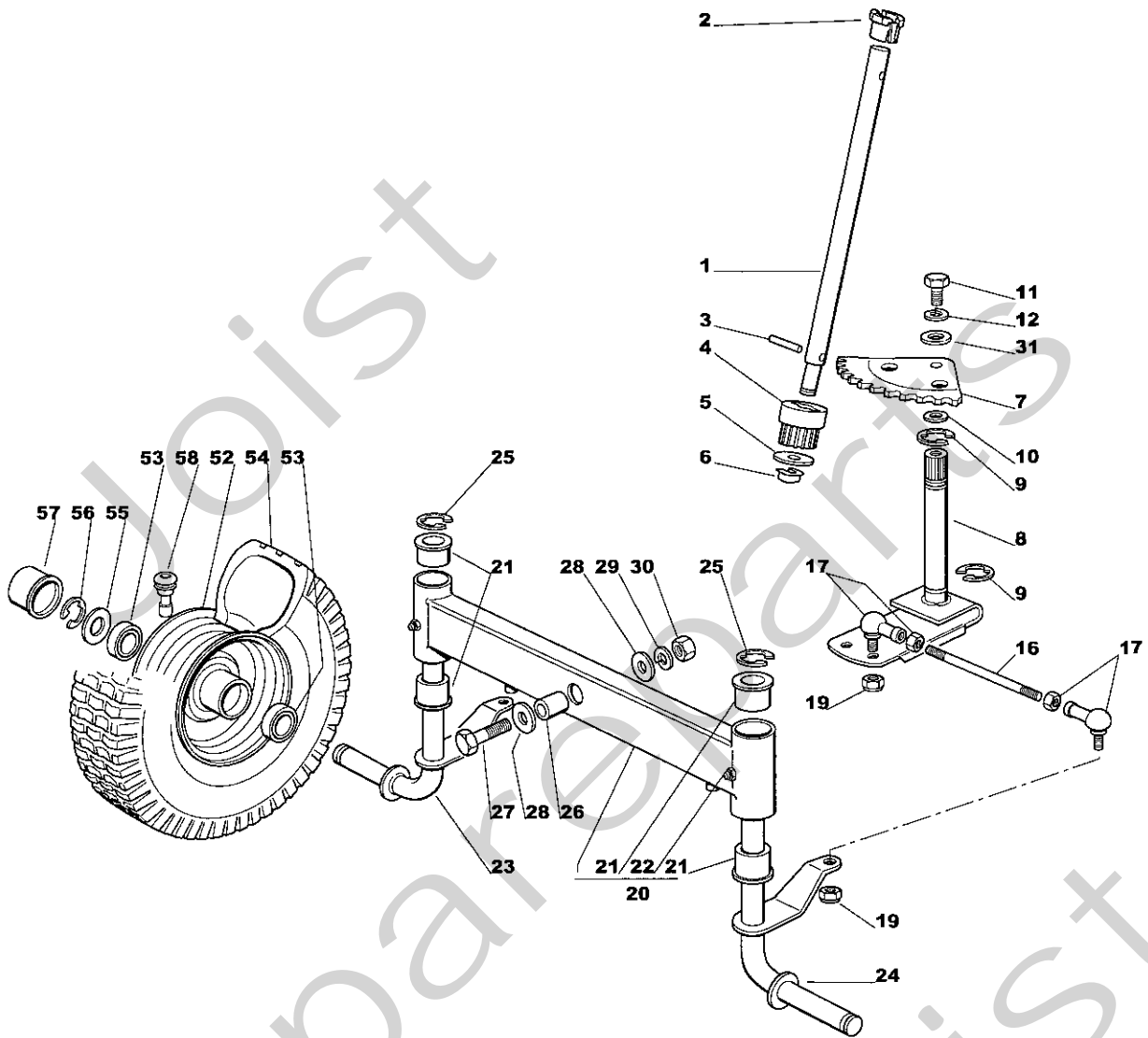
X

Joist Spareparts Joist

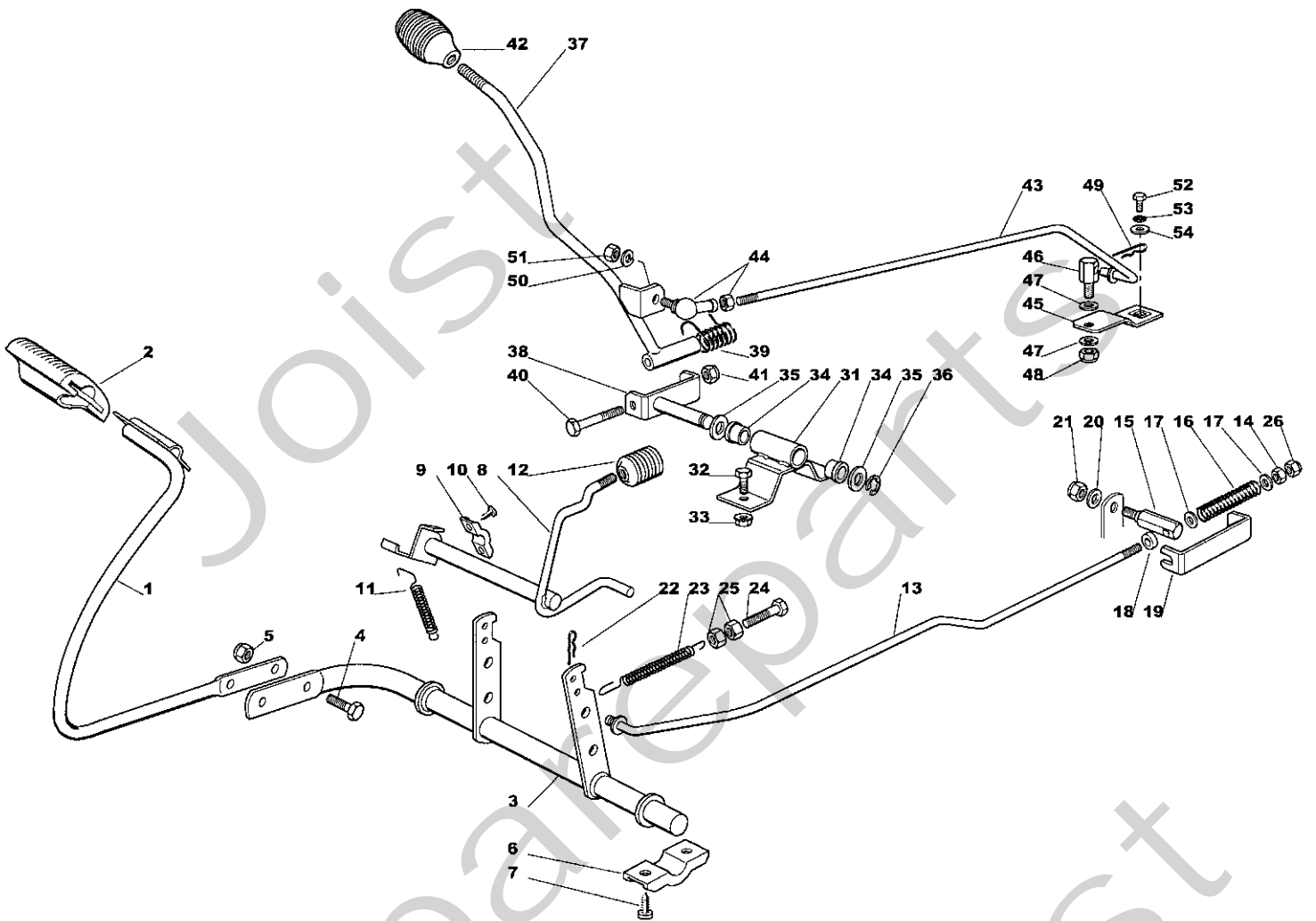


Utgåva Issue 2006- 13	Bildnr Picture No 1226D	GARDEN COMBI GARDEN COMBI HST CHASSI	GARDEN COMBI GARDEN COMBI HST CHASSIS	Sida Page 34
-----------------------------	-------------------------------	--	---	--------------------

Pos. Fig.	Antal/Quantity		Art nr Part No	Benämning	Description	Sats Kit	Anmärkning Notes
	2511	2512					
1	1	1	1136-1505-01	Ram.....	Frame.....		Inkl. pos 2, 26, 27
2	2	2	1136-0121-01	• Bussning.....	• Bushing.....		
3	1	1	1136-0582-01	Plåt- bak.....	Plate- rear.....		
4	1	1	1136-0371-01	Pivotstång.....	Pivot.....		
5	2	2	1136-0251-01	Bygel.....	Clamp.....		
6	8	8	9997-0616-16	Skruv.....	Screw.....		
7	8	8	9739-0631-22	Mutter.....	Nut.....		
8	1	1	1136-1288-01	Ram- övre.....	Frame- top.....		
9	4	4	9997-0816-16	Skruv.....	Screw.....		
10	4	4	9739-0831-22	Mutter.....	Nut.....		
11	1	1	1136-1504-01	Stöd.....	Support.....		
12	4	4	9997-0816-16	Skruv.....	Screw.....		
13	4	4	9739-0831-22	Mutter.....	Nut.....		
14	1	1	1136-0595-01	Fotstegshållare.....	Footboard holder.....		
15	2	2	1136-0423-01	Stöd.....	Support.....		
16	4	4	9997-0816-16	Skruv.....	Screw.....		
17	4	4	9739-0831-22	Mutter.....	Nut.....		
18	2	2	9847-8216-16	Skruv.....	Screw.....		
19	2	2	9699-0035-02	Planbricka.....	Flat washer.....		
20	1	1	1136-0566-01	Lina.....	Cord.....		
23	1	1	9699-0056-02	Planbricka.....	Flat washer.....		
24	1	1	9747-0831-02	Mutter.....	Lock nut.....		
25	1	1	1136-0013-01	Mutter.....	Nut.....		
26	1	1	9501-0500-00	• Smörjnippel.....	• Grease joint.....		
27	1	1	1136-1226-01	• Bussning.....	• Bushing.....		
33	2	2	1136-1240-01	Fjäder.....	Spring.....		
34	2	2	1136-1493-01	Skruv.....	Screw.....		
36	4	4	9739-0831-22	Mutter.....	Nut.....		
37	2	2	1136-0156-01	Lock.....	Cap.....		
39	1	1	1136-0395-01	Fjäder.....	Spring.....		
40	1	1	9848-8013-16	Skruv.....	Screw.....		
41	1	1	1136-0387-01	Styrning.....	Guide.....		
42	1	1	9847-8216-16	Skruv.....	Screw.....		
43	1	1	9699-0060-02	Planbricka.....	Flat washer.....		
45	1		1136-0388-01	Remstyrning.....	Belt guide.....		
46	2		9848-8013-16	Skruv.....	Screw.....		
47	1	1	1136-0421-01	Fäste.....	Clamp.....		
48	2	2	9847-7809-16	Skruv.....	Screw.....		
51	2	2	1136-1254-01	Bussning.....	Bushing.....		
52	2	2	1136-1266-01	Fjäder.....	Spring.....		
53	4	4	1136-0308-01	Bricka.....	Washer.....		
54	2	2	1136-1211-01	Låsring.....	Snap ring.....		
55	1		1136-1501-01	Remstyrning.....	Belt guide.....		
56	1		9848-8013-16	Skruv.....	Screw.....		

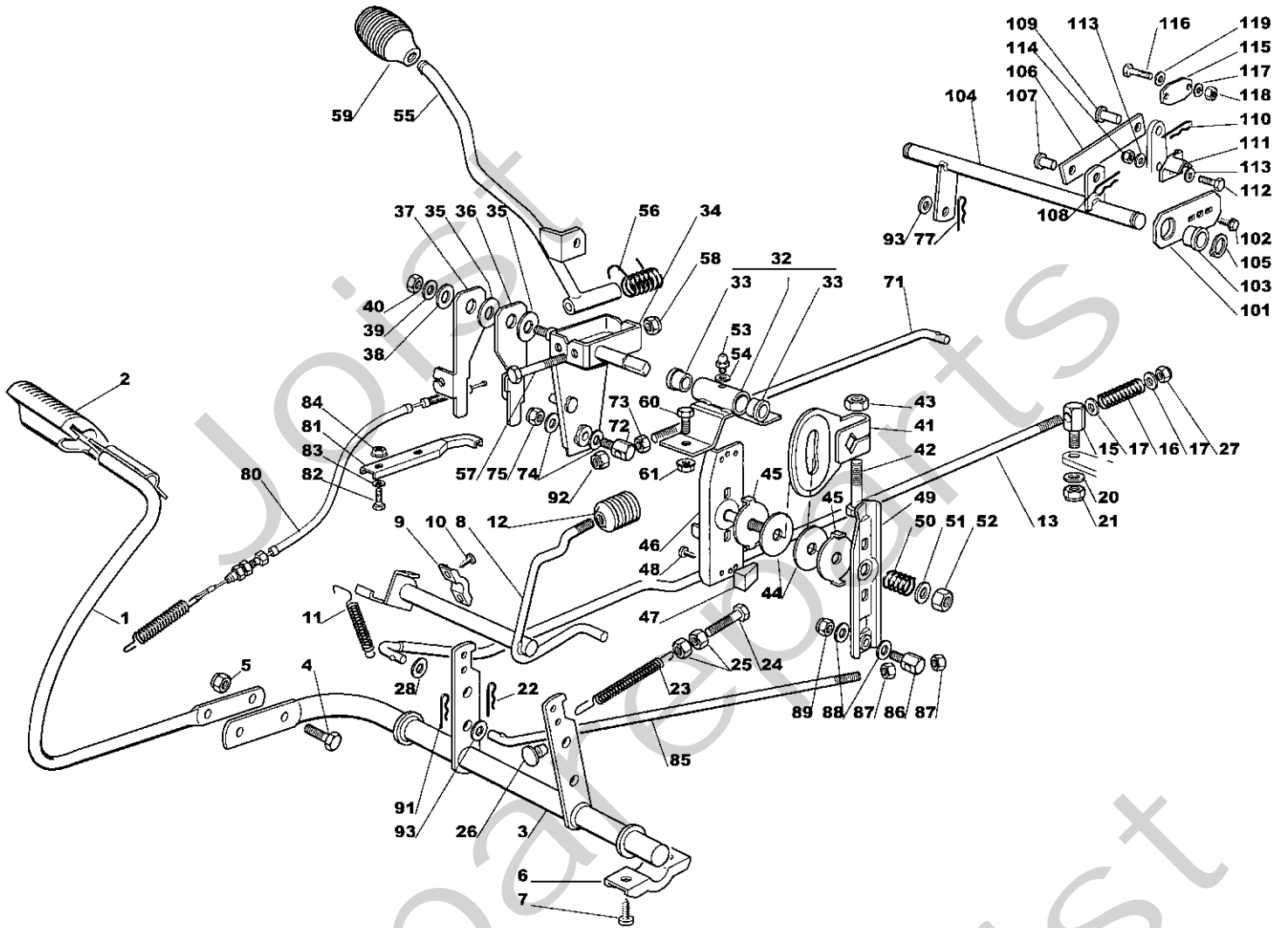


Utgåva Issue		Bildnr Picture No		GARDEN COMBI GARDEN COMBI HST STYRNING		GARDEN COMBI GARDEN COMBI HST STEERING		Sida Page	
2006- 13		1228B						36	
Pos. Fig.	Antal/Quantity			Art nr Part No	Benämning	Description	Sats Kit	Anmärkning Notes	
	2511	2512							
1	1			1136-0403-01	Rattstång	Steering column.....			
2	1			1136-1469-01	Bussning	Bushing.....			
3	1			9595-0262-00	Spännstift	Locating pin			
4	1			1136-0408-01	Styrdrev	Steering pinion.....			
5	1			9699-0037-02	Bricka	Washer.....			
6	1			1136-0008-01	Låsplatta	Lock plate			
7	1			1136-0588-01	Styrsektor	Steering sector.....			
8	1			1136-0557-01	Styraxel	Steering shaft.....			
9	2			9652-0015-04	Låsring	Retaining ring			
10	0-2			9695-0014-00	Bricka	Washer.....			
11	1			9997-0820-16	Skruv	Screw.....			
12	1			9683-0030-02	Låsbricka	Lock washer.....			
16	2			1136-0424-01	Styrstag	Tie rod.....			
17	4			1136-0092-01	Kulled	Ball joint.....			
19	4			9747-1031-02	Låsmutter	Lock nut.....			
20	1			1136-0564-01	Framaxel kpl	Front wheel axle assy.....		Inkl. pos 21, 22	
21	4			1136-0121-01	• Bussning.....	• Bushing.....			
22	2			9501-0500-00	• Smörjnippel	• Grease joint.....			
23	1			1136-0575-01	Hjulspindel- hö	Stub axle- RH.....			
24	1			1136-0576-01	Hjulspindel- vä	Stub axle- LH.....			
25	2			9652-0015-04	Låsring	Retaining ring			
26	1			1136-0165-01	Distans	Spacer.....			
27	1			9997-1260-02	Skruv	Screw.....			
28	2			1136-0016-01	Bricka	Washer.....			
29	1			9683-0055-02	Låsbricka	Lock washer.....			
30	1			9799-1231-02	Mutter.....	Nut.....			
31	1			9699-0090-02	Planbricka	Flat washer.....			
52	2			1136-0567-01	Fälg	Rim.....			
53	4			1136-0157-01	Lager	Bearing.....			
54	2			1136-0409-01	Däck (Turf Saver).....	Tire (Turf Saver).....			
54	2			1136-0411-01	Däck (Deli).....	Tire (Deli).....			
55	2			1136-0305-01	Bricka	Washer.....			
56	2			9652-0015-04	Låsring	Retaining ring			
57	2			1136-0081-01	Navkapsel	Hub cap.....			
58	2			9545-0500-00	Ventil	Valve.....			

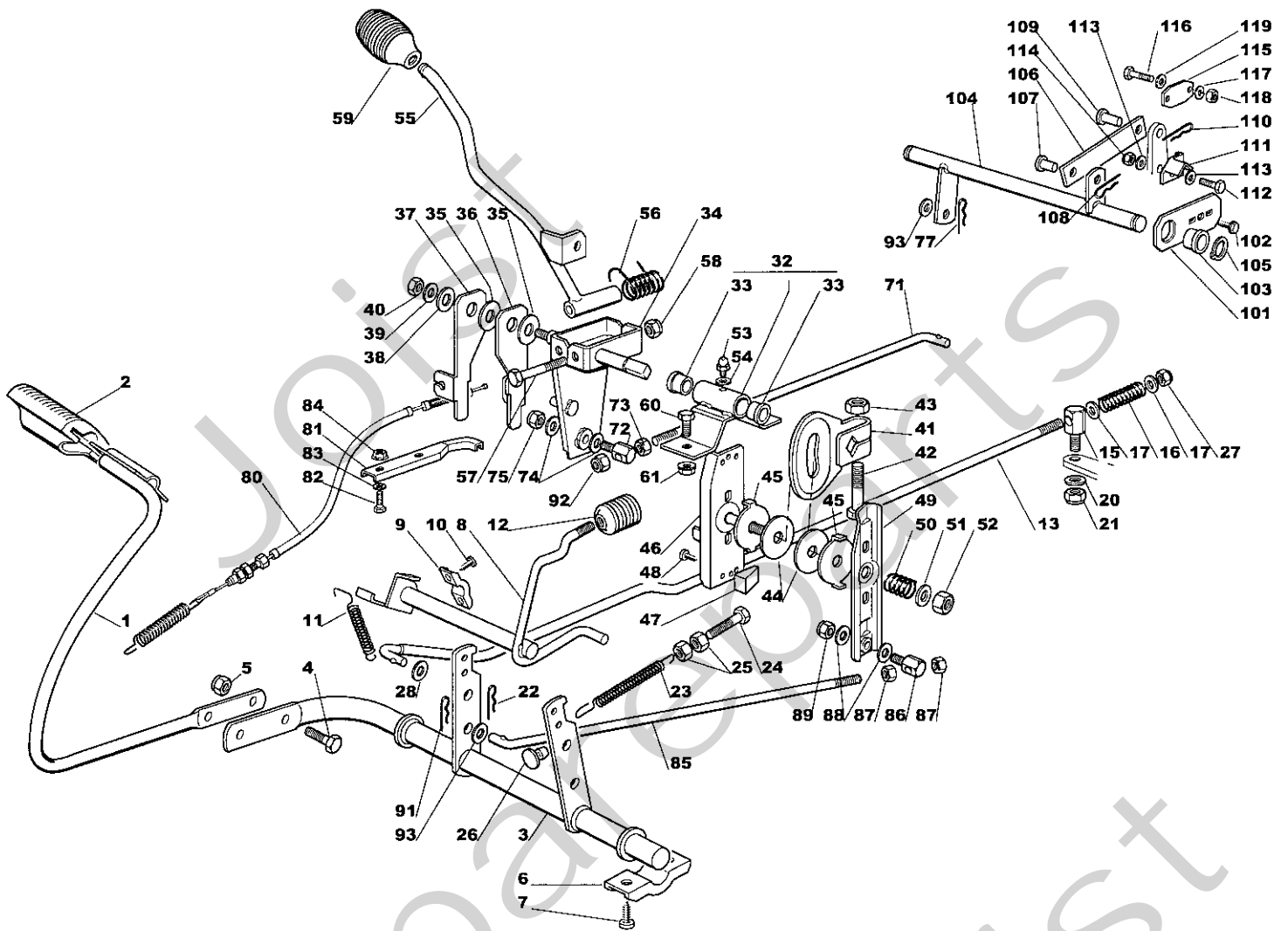


Utgåva Issue 2006- 13	Bildnr Picture No 1229B	GARDEN COMBI BROMSREGLAGE VÄXELREGLAGE	GARDEN COMBI BRAKE CONTROL GEAR SHIFTER CONTROL	Sida Page 38
-----------------------------	-------------------------------	--	---	--------------------

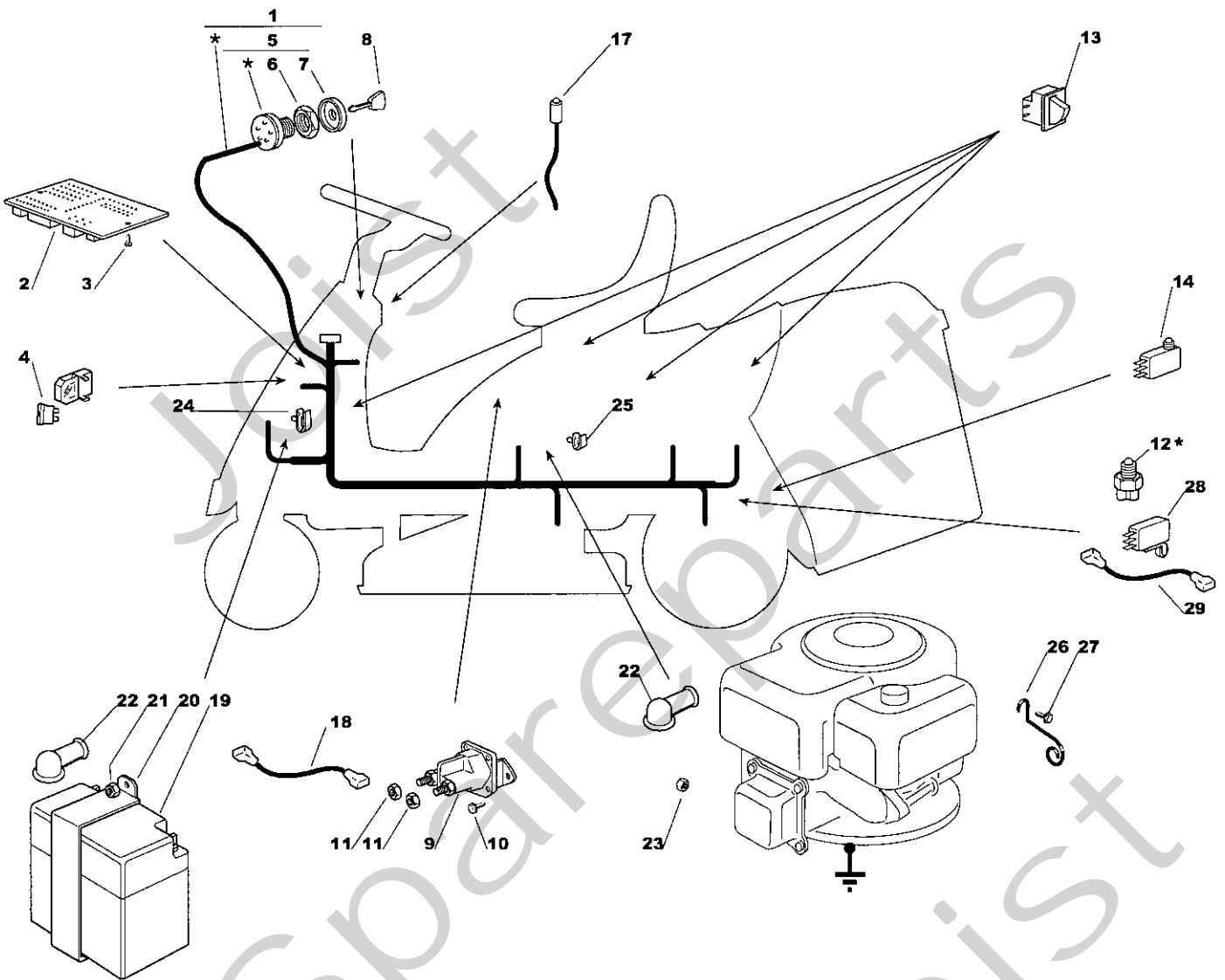
Pos. Fig.	Antal/Quantity				Art nr Part No	Benämning	Description	Sats Kit	Anmärkning Notes
	2511								
1	1				1136-0581-01	Bromspedal	Brake pedal		
2	1				1136-0152-01	Pedalskydd	Pedal cover		
3	1				1136-0562-01	Pedalaxel	Pedal shaft		
4	2				9997-0825-16	Skruv	Screw		
5	2				9747-0831-02	Mutter	Lock nut		
6	2				1136-0406-01	Bygel	Clamp		
7	4				9847-8119-16	Skruv	Screw		
8	1				1136-0561-01	P- bromsaxel	Parking brake shaft		
9	2				1136-0256-01	Bygel	Plate		
10	4				9847-8016-16	Skruv	Screw		
11	1				1136-0394-01	Fjäder	Spring		
12	1				1136-0392-01	Knopp	Knob		
13	1				1136-0930-01	Stång	Rod		
14	1				9799-0831-02	Mutter	Nut		
15	1				1136-1485-01	Ledbult	Pivot bolt		
16	1				1136-0218-01	Fjäder	Spring		
17	2				9699-0090-02	Planbricka	Flat washer		
18	1				1136-0084-01	Distans	Spacer		
19	1				1136-0329-01	Bygel	Clamp		
20	1				9699-0085-02	Planbricka	Flat washer		
21	1				9747-0631-02	Låsmutter	Lock nut		
22	1				1136-0095-01	Låsnål	Hair pin		
23	1				1136-0209-01	Fjäder	Spring		
24	1				1136-0094-01	Skruv	Screw		
25	2				9799-0831-02	Mutter	Nut		
26	1				9747-0831-02	Mutter	Lock nut		
31	1				1136-0589-01	Fäste	Support		
32	2				9997-0820-16	Skruv	Screw		
33	2				9739-0831-22	Mutter	Nut		
34	2				1136-0374-01	Bussning	Bushing		
35	2				9699-0037-02	Bricka	Washer		
36	1				9650-0012-04	Seegersäkkring	Circlip		
37	1				1136-0577-01	Växelspak	Gearshift lever		
38	1				1136-0590-01	Bygel	Clamp		
39	1				1136-0212-01	Fjäder	Spring		
40	1				9997-0880-16	Skruv	Screw		
41	1				9747-0831-02	Mutter	Lock nut		
42	1				1136-0503-01	Knopp	Knob		
43	1				1136-0366-01	Växlestång	Shifter rod		
44	1				1136-0093-01	Kulled	Ball joint		
45	1				1136-0390-01	Växelarm	Gearshift arm		
46	1				1136-0235-01	Ledbult	Pivot bolt		
47	2				1136-0309-01	Bricka	Washer		
48	1				9747-0831-02	Mutter	Lock nut		
49	1				1136-0095-01	Låsnål	Hair pin		
50	1				9683-0030-02	Låsbricka	Lock washer		
51	1				9799-0831-02	Mutter	Nut		
52	1				9987-5016-16	Skruv	Screw		
53	1				9678-0008-02	Låsbricka	Lock washer		
54	1				1136-0091-01	Bricka	Washer		



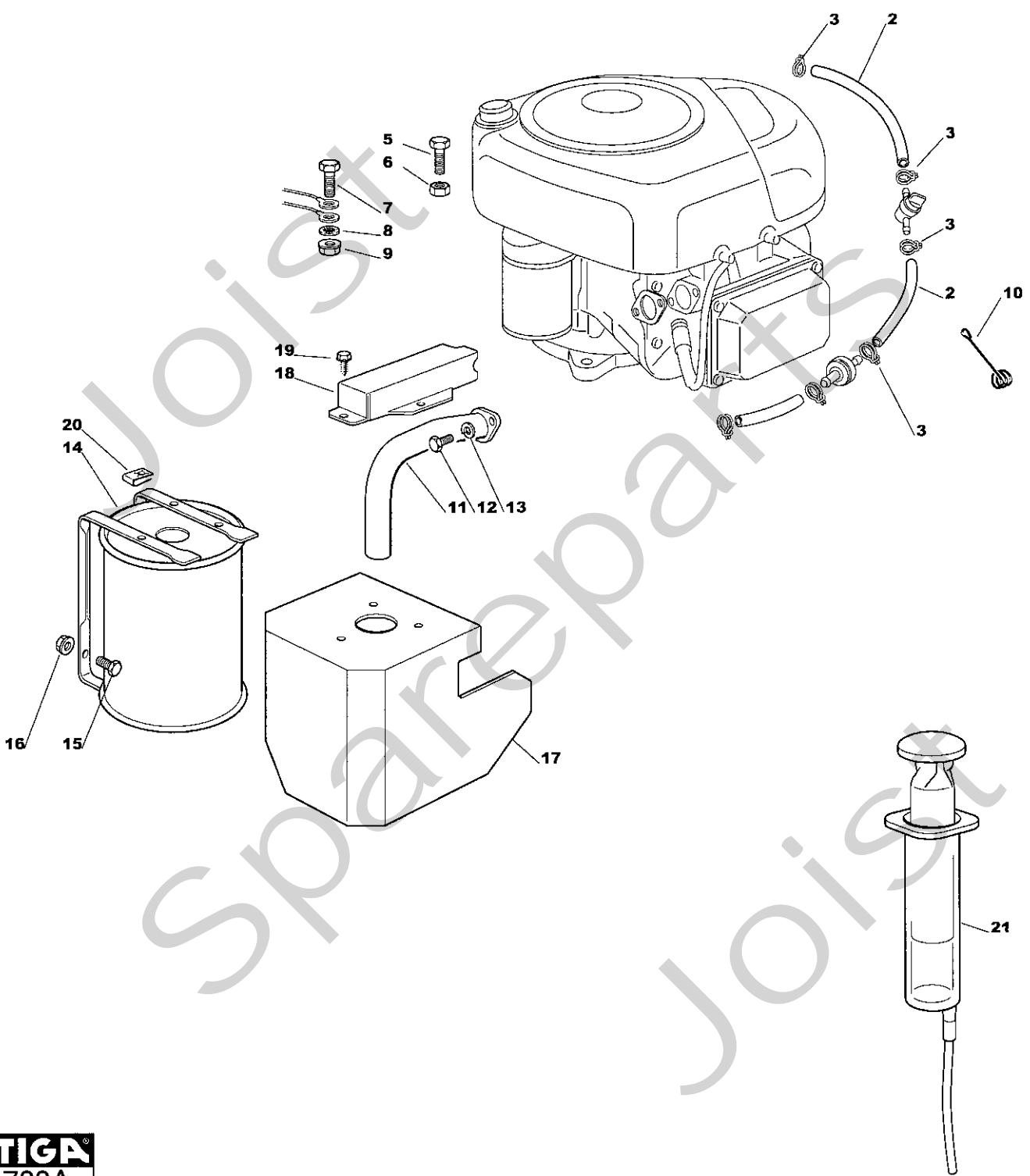
Utgåva Issue		Bildnr Picture No		GARDEN COMBI HST BROMSREGLAGE DRIVREGLAGE		GARDEN COMBI HST BRAKE CONTROL DRIVE CONTROL		Sida Page	
2006- 13		2071						40	
Pos. Fig.	Antal/Quantity			Art nr Part No	Benämning	Description	Sats Kit	Anmärkning Notes	
	2512								
1	1			1136-0581-01	Bromspedal	Brake pedal			
2	1			1136-0151-01	Pedalskydd	Pedal cover			
3	1			1136-0562-01	Pedalaxel	Pedal shaft			
4	2			9997-0825-16	Skruv	Screw			
5	2			9747-0831-02	Mutter	Lock nut			
6	2			1136-0406-01	Bygel	Clamp			
7	4			9847-8119-16	Skruv	Screw			
8	1			1136-0561-01	P- bromsaxel	Parking brake shaft			
9	2			1136-0256-01	Bygel	Plate			
10	4			9847-8016-16	Skruv	Screw			
11	1			1136-0394-01	Fjäder	Spring			
12	1			1136-0392-01	Knopp	Knob			
13	1			1136-2151-01	Stång	Rod			
15	1			1136-0248-01	Ledbult	Pivot bolt			
16	1			1136-0218-01	Fjäder	Spring			
17	2			9699-0035-02	Planbricka	Flat washer			
20	1			9699-0085-02	Planbricka	Flat washer			
21	1			9747-0831-02	Mutter	Lock nut			
22	1			1136-0095-01	Låsnål	Hair pin			
23	1			1136-0204-01	Fjäder	Spring			
24	1			1136-0094-01	Skruv	Screw			
25	2			9799-0831-02	Mutter	Nut			
26	1			1136-0386-01	Gummiplugg	Grommet			
27	1			9747-1031-02	Låsmutter	Lock nut			
28	1			1136-0309-01	Bricka	Washer			
32	1			1136-1099-01	Fäste m.lager	Bracket w.bush		Inkl. pos 33	
33	2			1136-0937-01	• Bussning	• Bush			
34	1			1136-1096-01	Arm	Lever			
35	2			1136-0088-01	Bricka	Washer			
36	1			1136-1000-01	Bygel	Clamp			
37	1			1136-1001-01	Bygel	Clamp			
38	1			1136-0089-01	Bricka	Washer			
39	1			9699-0056-02	Planbricka	Flat washer			
40	1			9712-0831-02	Låsmutter	Lock nut			
41	1			1136-0996-01	Sektor	Sector			
42	1			1136-0824-01	Skruv	Screw			
43	1			1136-0806-01	Mutter	Nut			
44	2			1136-0950-01	Platta	Plate			
45	2			1136-0992-01	Bricka	Washer			
46	1			1136-1098-01	Bygel	Clamp			
47	2			1136-0941-01	Kam	Cam			
48	2			9848-8013-16	Skruv	Screw			
49	1			1136-1097-01	Arm	Lever			
50	1			1136-0958-01	Fjäder	Spring			
51	1			1136-0308-01	Bricka	Washer			
52	1			1136-0806-01	Mutter	Nut			
53	1			9501-0500-00	Smörjnippel	Grease joint			
54	1			9699-0035-02	Planbricka	Flat washer			
55	1			1136-0577-01	Växelspak	Gearshift lever			
56	1			1136-0212-01	Fjäder	Spring			
57	1			9997-0880-16	Skruv	Screw			
58	1			9747-0831-02	Mutter	Lock nut			
59	1			1136-0503-01	Knopp	Knob			
60	2			9997-0820-16	Skruv	Screw			
61	2			9739-0831-22	Mutter	Nut			
71	1			1136-2152-01	Stång	Rod			
72	1			1136-0235-01	Ledbult	Pivot bolt			
73	1			9799-0831-02	Mutter	Nut			
74	2			1136-0309-01	Bricka	Washer			
75	1			9712-0831-02	Låsmutter	Lock nut			
77	1			1136-0095-01	Låsnål	Hair pin			
80	1			1136-1072-01	Wire	Wire			
81	1			1136-1002-01	Bygel	Clamp			



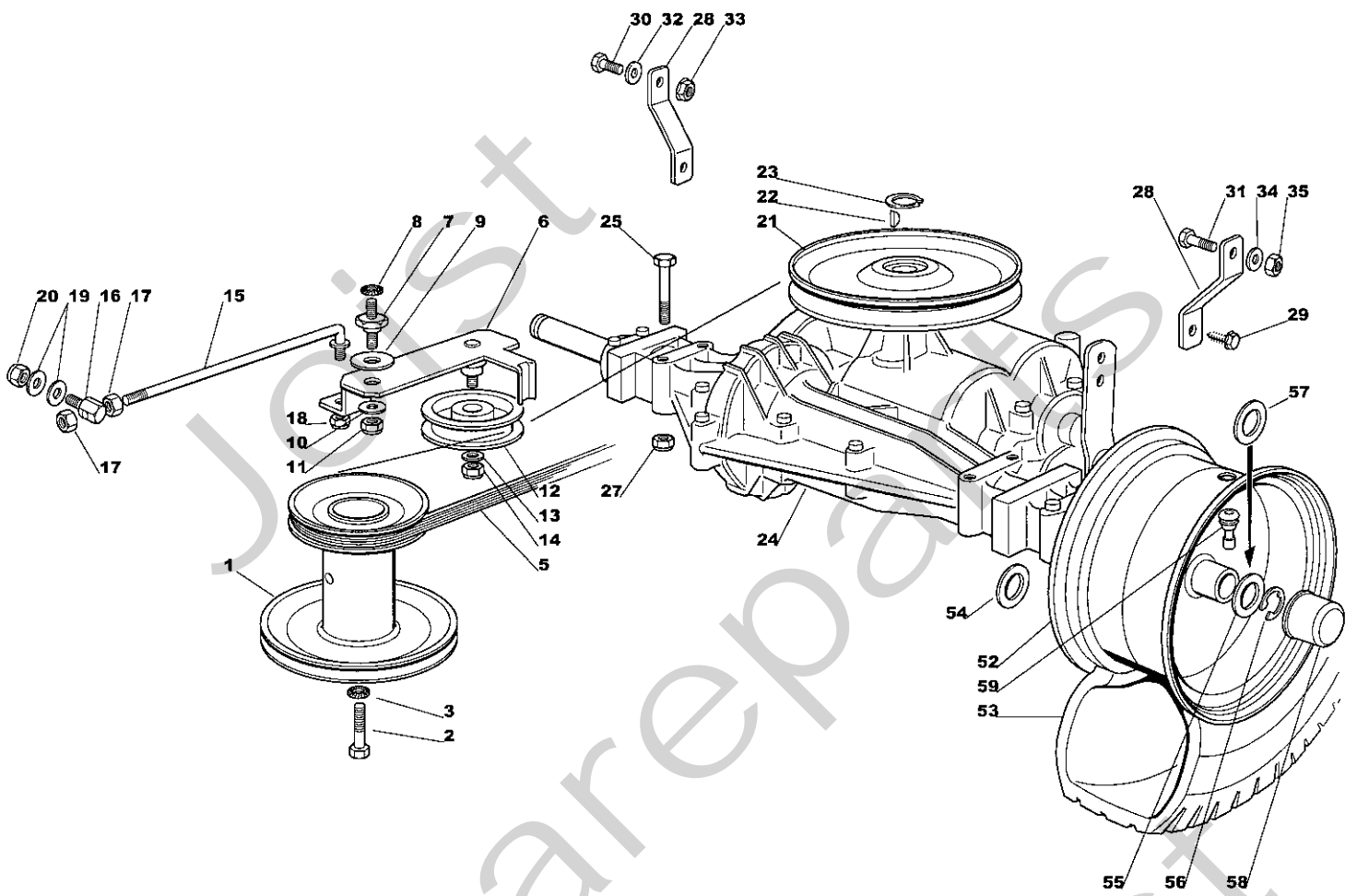
Utgåva Issue 2006-13		Bildnr Picture No 2071		GARDEN COMBI HST BROMSREGLAGE DRIVREGLAGE		GARDEN COMBI HST BRAKE CONTROL DRIVE CONTROL		Sida Page 42	
Pos. Fig.	Antal/Quantity			Art nr Part No	Benämning	Description	Sats Kit	Anmärkning Notes	
	2512								
X 82	2			9997-0620-16	Skruv.....	Screw.....			
83	2			9699-0035-02	Planbricka.....	Flat washer.....			
84	2			9739-0631-22	Mutter.....	Nut.....			
85	1			1136-2154-01	Stång.....	Rod.....			
86	1			1136-0235-01	Ledbult.....	Pivot bolt.....			
87	2			9799-0831-02	Mutter.....	Nut.....			
88	2			1136-0309-01	Bricka.....	Washer.....			
89	1			9712-0831-02	Låsmutter.....	Lock nut.....			
91	1			1136-0095-01	Låsnål.....	Hair pin.....			
92	1			9747-0831-02	Mutter.....	Lock nut.....			
93	2			1136-0309-01	Bricka.....	Washer.....			
X 101	2			1136-2158-01	Platta.....	Plate.....			
102	2			1136-0815-01	Skruv.....	Screw.....			
X 103	2			1136-2068-01	Bussning.....	Bushing.....			
X 104	1			1136-2191-01	Axel.....	Axle.....			
X 105	2			1136-2048-01	Låsring.....	Seeger ring.....			
X 106	1			1136-2153-01	Stång.....	Rod.....			
X 107	1			1136-2157-01	Bult.....	Pin.....			
108	1			1136-0095-01	Låsnål.....	Hair pin.....			
X 109	1			1136-2156-01	Bult.....	Pin.....			
110	1			1136-0095-01	Låsnål.....	Hair pin.....			
X 111	1			1136-2155-01	Kam.....	Cam.....			
112	1			9997-0620-16	Skruv.....	Screw.....			
113	2			9699-0035-02	Planbricka.....	Flat washer.....			
114	1			9747-0631-02	Låsmutter.....	Lock nut.....			
115	1			1136-0407-01	Plåt.....	Plate.....			
116	2			1136-1214-01	Skruv.....	Screw.....			
117	2			9683-0005-02	Låsbricka.....	Lock washer.....			
118	2			9799-0331-02	Mutter.....	Nut.....			
119	2			1136-0610-01	Bricka.....	Washer.....			



Utgåva Issue 2006- 13		Bildnr Picture No 2072		GARDEN COMBI GARDEN COMBI HST ELUTRUSTNING		GARDEN COMBI GARDEN COMBI HST EL. EQUIPMENT		Sida Page 44	
Pos. Fig.	Antal/Quantity			Art nr Part No	Benämning	Description	Sats Kit	Anmärkning Notes	
	2511	2512							
	1	1		1136-1814-01	Kabelhärva.....	Harness.....		Inkl. pos 5	
	2	1		1136-0314-01	Elektronikkort.....	Electronic card.....			
	3	2		9847-7813-16	Skruv.....	Screw.....			
X	4	1		1136-2031-01	Säkring.....	Fuse.....		10 A	
X	4	1		1136-2161-01	Säkring.....	Fuse.....		25 A	
	5	1		1136-0056-01	• Tändningslås.....	• Ignition switch.....		Inkl. pos 6 - 7	
	6	1		1136-0049-01	•• Mutter.....	•• Nut.....			
	7	1		1134-4097-01	•• Täckåpa.....	•• Cap.....			
X	8	1		1136-2028-01	Tändningsnyckel.....	Ignition key.....			
	9	1		1136-0064-01	Startrelä.....	Solenoid.....			
	10	2		9848-8013-16	Skruv.....	Screw.....			
	11	2		9794-5131-02	Mutter.....	Nut.....			
	12	1		786201	Brytare.....	Neutral start switch.....		Växellåda/gearbox	
	13	4		1136-0073-01	Mikrobrytare.....	Micro switch.....			
	14	1		1136-0072-01	Mikrobrytare.....	Micro switch.....		Full upps./grass bag	
	17	1		1136-0135-01	Kabel.....	Cable.....			
	18	1		1136-0376-01	Kabel.....	Cable.....			
	19	1		1134-4804-01	Batteri.....	Battery.....			
X	20	1		1136-0422-02	Batterihållare.....	Battery holder.....			
	21	1		9747-0831-02	Mutter.....	Lock nut.....			
	22	2		1136-0059-01	Polskydd.....	Protection.....			
	23	1		9795-3531-02	Mutter.....	Nut.....			
	24	3		1136-0427-01	Kabelhållare.....	Cable holder.....			
	25	1		1136-0426-01	Kabelhållare.....	Cable holder.....			
	26	1		1136-1484-01	Fjäder.....	Spring.....			
	27	1		1136-0815-01	Skruv.....	Screw.....			
	28	1		1136-0076-01	Mikrobrytare.....	Micro switch.....			
	29	1		1136-0865-01	Kabel.....	Cable.....			

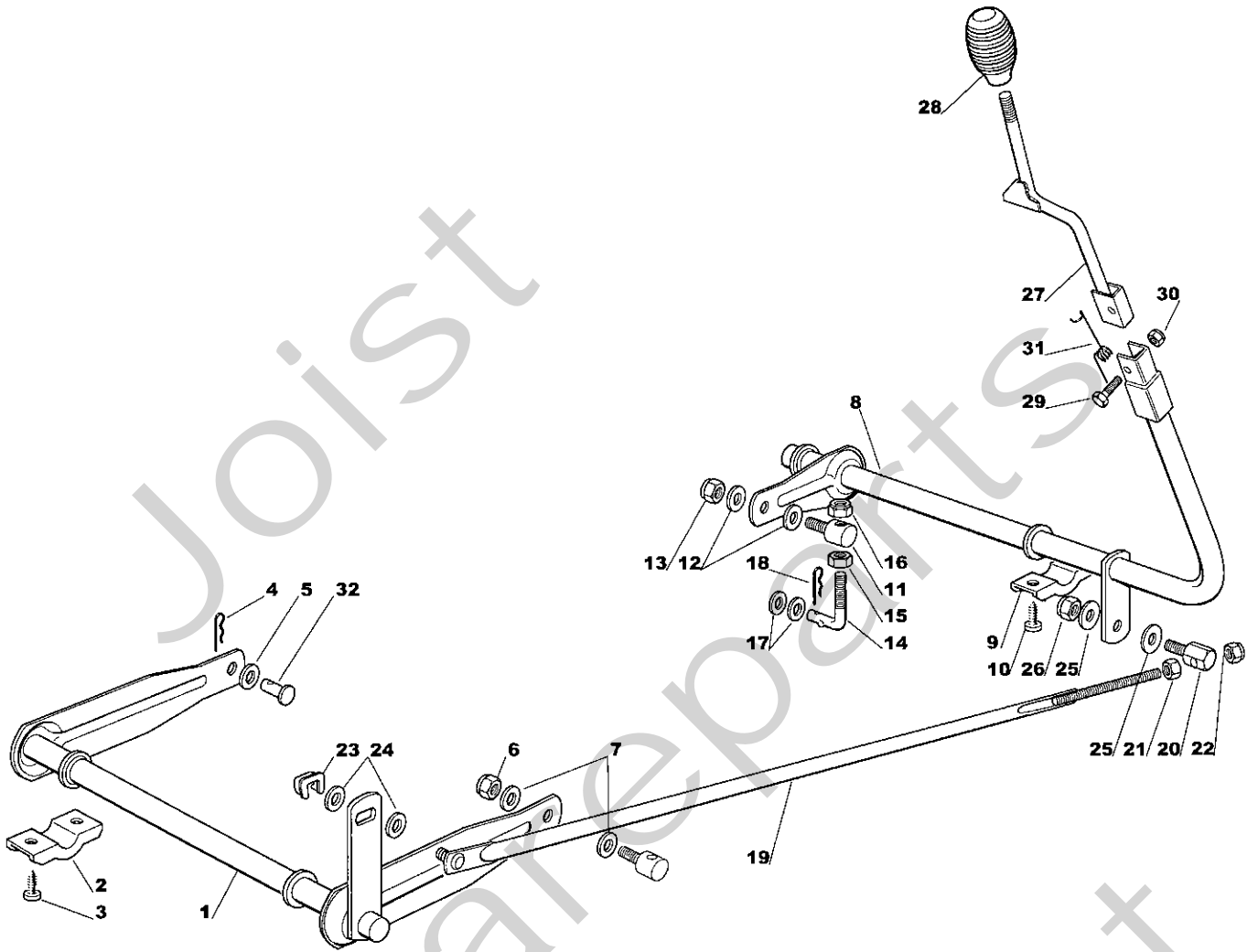


Utgåva Issue		Bildnr Picture No		GARDEN COMBI GARDEN COMBI HST MOTOR		GARDEN COMBI GARDEN COMBI HST ENGINE		Sida Page	
2006- 13		1700A						46	
Pos. Fig.	Antal/Quantity			Art nr Part No	Benämning	Description	Sats Kit	Anmärkning Notes	
	2511	2512							
2	2			1136- 1479- 01	Slang	Tube			
3	4			1136- 0045- 01	Slangklämma.....	Hose clamp			
5	3			9997- 0835- 12	Skruv.....	Screw.....		L = 35 mm	
6	3			9739- 0831- 22	Mutter.....	Nut.....			
7	1			9997- 0840- 16	Skruv.....	Screw.....		L = 40 mm	
8	1			9677- 0009- 02	Låsbricka.....	Lock washer.....			
9	1			9739- 0831- 22	Mutter.....	Nut.....			
10	1			1136- 0892- 01	Fjäder.....	Spring.....			
11	1			1136- 1468- 01	Avgasrör.....	Exhaust conn. tube			
12	2			1136- 1466- 01	Skruv.....	Screw.....			
13	2			9683- 0030- 02	Låsbricka.....	Lock washer.....			
14	1			1136- 1494- 01	Ljuddämpare	Muffler			
15	2			9997- 0820- 16	Skruv.....	Screw.....			
16	2			9739- 0831- 22	Mutter.....	Nut.....			
17	1			1136- 1503- 01	Ljuddämparskydd.....	Muffler protection			
18	1			1136- 1489- 01	Skydd.....	Protection			
19	3			9847- 8116- 16	Skruv.....	Screw.....			
20	3			1136- 1464- 01	Låsplatta.....	Lock plate			
21	1			1134- 3898- 01	Oljepump.....	Oil pump			

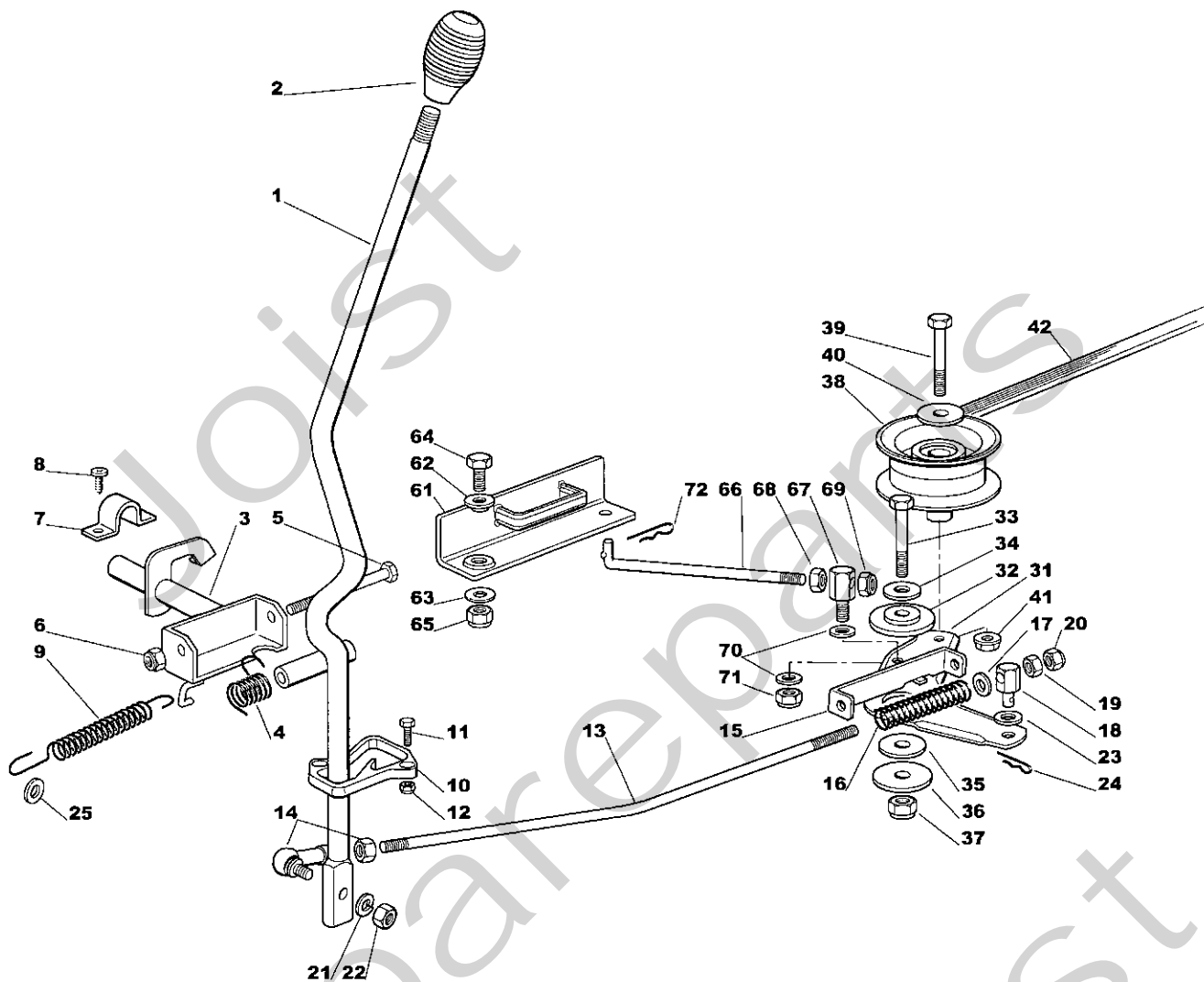


Utgåva Issue		Bildnr Picture No		GARDEN COMBI TRANSMISSION		GARDEN COMBI TRANSMISSION		Sida Page	
2006- 13		1231B						48	
Pos. Fig.	Antal/Quantity			Art nr Part No	Benämning	Description	Sats Kit	Anmärkning Notes	
	2511								
1	1			1136-0418-01	Motorremskiva	Engine belt pulley			
2	1			9987-5351-12	Skruv	Screw			
3	1			9683-0045-02	Bricka	Washer			
5	1			1136-0430-01	Kilrem	V-belt			
6	1			1136-0578-01	Spännarm	Tension arm			
7	1			1136-0400-01	Pinnbult	Stud bolt			
8	1			9677-0009-02	Låsbricka	Lock washer			
9	1			1136-0088-01	Bricka	Washer			
10	1			1136-0309-01	Bricka	Washer			
11	1			9712-0831-02	Låsmutter	Lock nut			
12	1			1136-0289-01	Spännrulle	Idler pulley			
13	1			9699-0056-02	Planbricka	Flat washer			
14	1			9747-0831-02	Mutter	Lock nut			
15	1			1136-0367-01	Spännstång	Tie rod			
16	1			1136-0235-01	Ledbult	Pivot bolt			
17	2			9799-0831-02	Mutter	Nut			
18	1			9747-0831-02	Mutter	Lock nut			
19	2			1136-0309-01	Bricka	Washer			
20	1			9747-0831-02	Mutter	Lock nut			
21	1			1136-0520-01	Remskiva	Belt pulley			
22	1			9600-0050-00	Woodruffkil	Key			
23	1			9650-0016-04	Spårring	Lock ring			
24	1			1136-0051-01	Transaxel	Transaxle		Peerless MST 205-541	
25	4			9997-0860-16	Skruv	Screw			
27	4			9739-0831-22	Mutter	Nut			
28	2			1136-0420-01	Momentstag	Stay			
29	2			1136-0017-01	Skruv	Screw			
30	1			9997-0820-16	Skruv	Screw			
31	1			9997-0825-16	Skruv	Screw			
32	1			9699-0056-02	Planbricka	Flat washer			
33	1			9739-0831-22	Mutter	Nut			
34	1			9699-0090-02	Planbricka	Flat washer			
35	1			9747-0831-02	Mutter	Lock nut			
52	2			1136-0568-01	Fälg	Rim			
53	2			1136-0410-01	Däck (Turf Saver)	Tire (Turf Saver)			
53	2			1136-0412-01	Däck (Deli)	Tire (Deli)			
54	2			9699-0119-02	Bricka	Washer			
55	2			1136-0305-01	Bricka	Washer			
56	2			9652-0015-04	Låsring	Retaining ring			
57	0-4			9695-0015-00	Bricka	Washer			
58	2			1136-0081-01	Navkapsel	Hub cap			
59	2			9545-0500-00	Ventil	Valve			

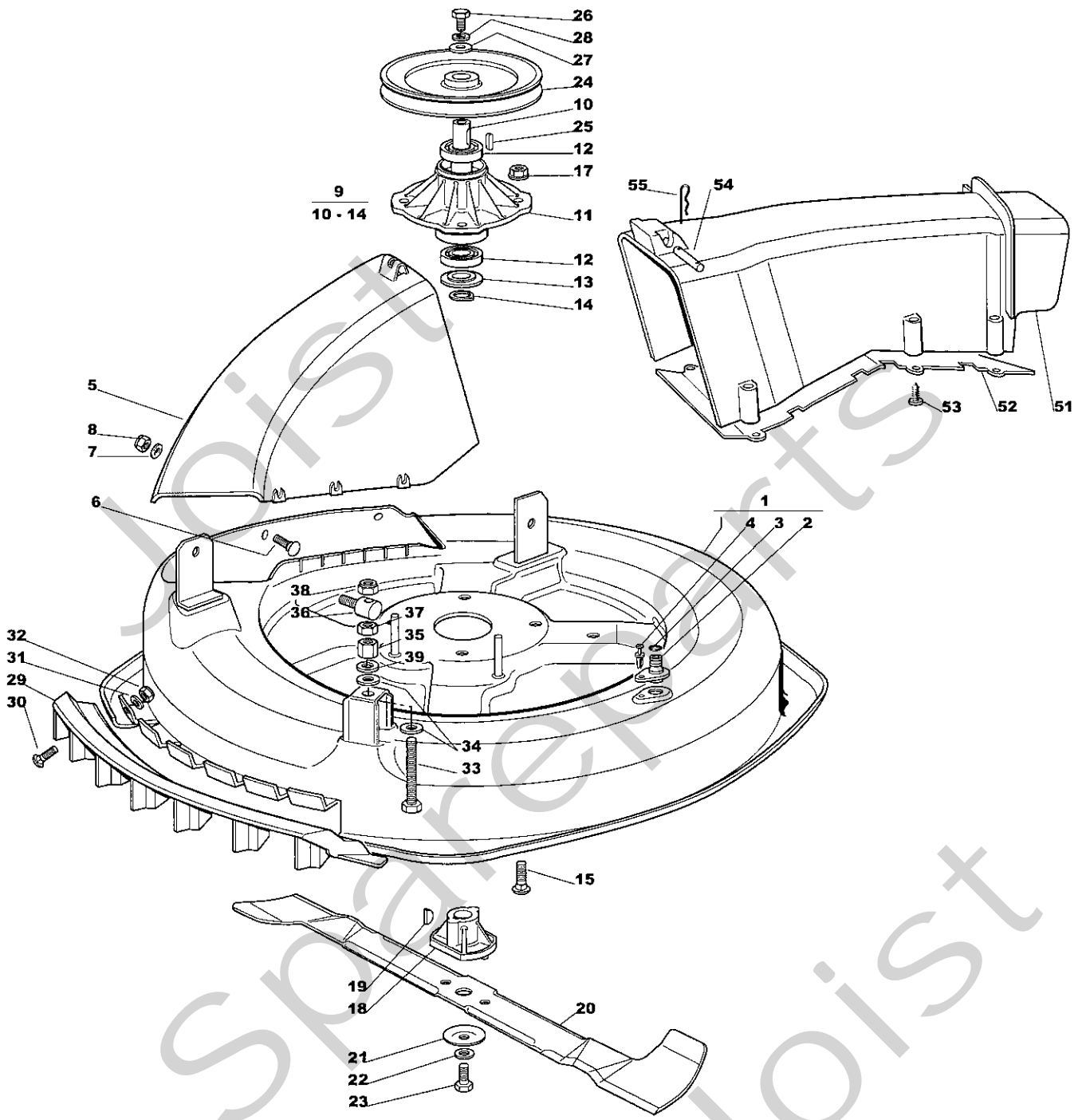
Utgåva Issue		Bildnr Picture No		GARDEN COMBI HST TRANSMISSION		GARDEN COMBI HST TRANSMISSION		Sida Page	
2006-13		2073						50	
Pos. Fig.	Antal/Quantity			Art nr Part No	Benämning	Description	Sats Kit	Anmärkning Notes	
	2512								
X	1	1		1136-2159-01	Motorremskiva	Engine belt pulley			
	2	1		9987-5351-12	Skruv	Screw			
	3	1		9683-0045-02	Bricka	Washer			
X	5	1		1136-2162-01	Drivrem	Drive belt			
X	6	1		1136-2193-01	Spännarm	Tension lever			
	7	1		1136-0400-01	Pinnbult	Stud bolt			
	8	1		9677-0009-02	Låsbricka	Lock washer			
	9	1		1136-0088-01	Bricka	Washer			
	10	1		1136-0309-01	Bricka	Washer			
	11	1		9712-0831-02	Låsmutter	Lock nut			
	12	1		1136-0289-01	Spännrulle	Idler pulley			
	13	1		9699-0056-02	Planbricka	Flat washer			
	14	1		9747-0831-02	Mutter	Lock nut			
	15	1		1136-0860-01	Fjäder	Spring			
X	21	1		1136-2060-01	Transaxel	Transaxle		Kanzaki K46T	
	22	4		9997-0860-16	Skruv	Screw			
	24	4		9739-0831-22	Mutter	Nut			
X	25	1		1136-2194-01	Fäste	Bracket			
	26	1		1136-0815-01	Skruv	Screw			
	27	1		9997-0845-12	Skruv	Screw			
	28	2		9699-0090-02	Planbricka	Flat washer			
	29	1		9747-0831-02	Mutter	Lock nut			
X	30	1		1136-2150-01	Arm	Lever			
	31	1		1136-0603-01	Låsring	Snap ring			
X	32	1		1136-2062-01	Hylsa	Fairlead			
	33	1		9997-0825-16	Skruv	Screw			
	34	1		9699-0056-02	Planbricka	Flat washer			
	35	1		9699-0090-02	Planbricka	Flat washer			
	36	1		9747-0831-02	Mutter	Lock nut			
	62	2		1136-0568-01	Fälg	Rim			
	63	2		1136-1786-01	Däck (Turf Saver)	Tire (Turf Saver)			
	63	2		1136-1787-01	Däck (Deli)	Tire (Deli)			
	64	2		1136-0312-01	Bricka	Washer			
	65	2		1136-0305-01	Bricka	Washer			
	66	2		9652-0015-04	Låsring	Retaining ring			
	67	0-4		1136-0306-01	Bricka	Washer			
	68	2		1136-0081-01	Navkapsel	Hub cap			
	69	2		9545-0500-00	Ventil	Valve			
	70	2		1136-0175-01	Distans	Spacer			
	71	2		1136-0305-01	Bricka	Washer			



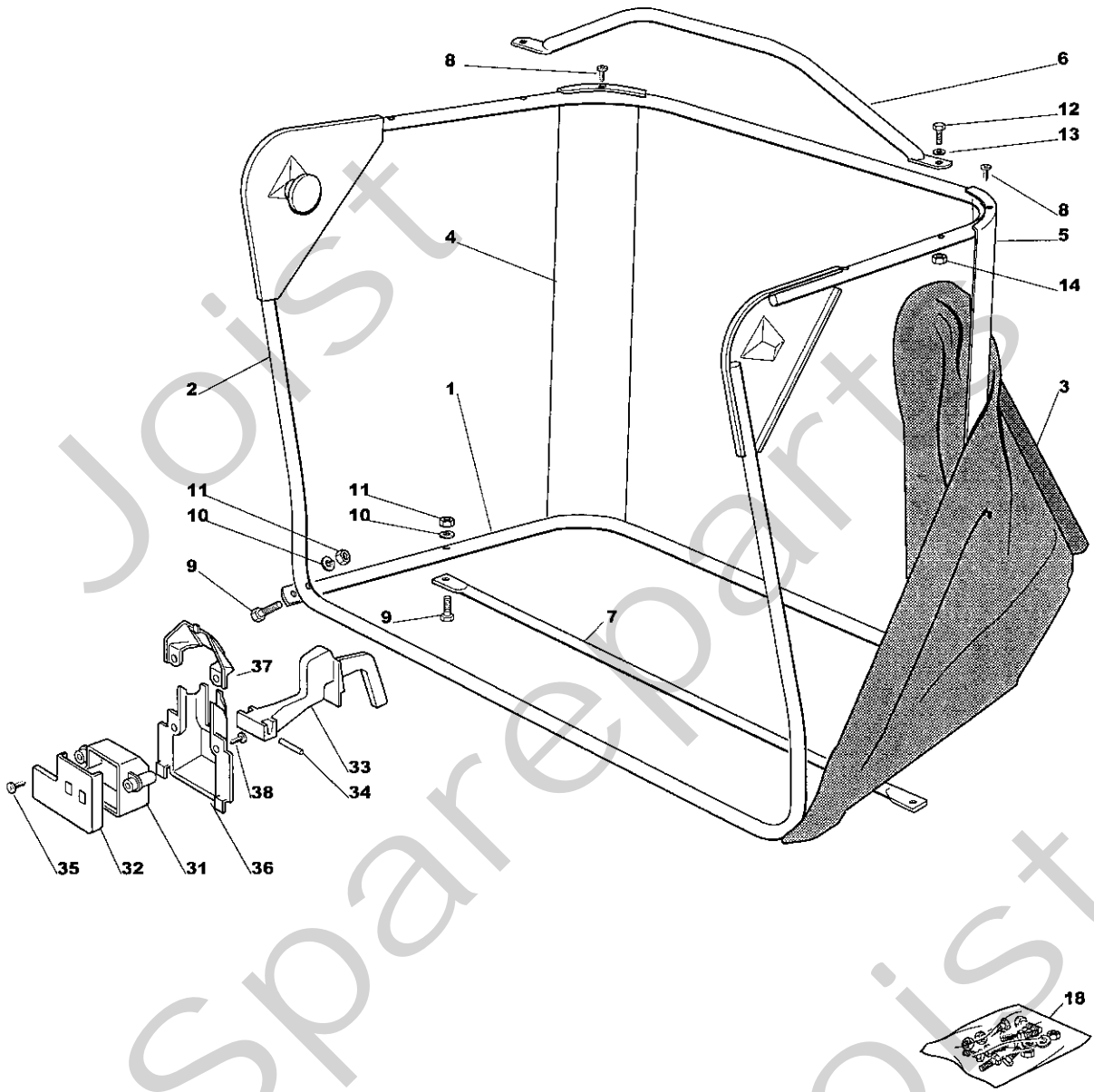
Utgåva Issue 2006-13		Bildnr Picture No 1232B		GARDEN COMBI GARDEN COMBI HST AGGREGATSLYFT		GARDEN COMBI GARDEN COMBI HST MOWER DECK LIFT		Sida Page 52	
Pos. Fig.	Antal/Quantity			Art nr Part No	Benämning	Description	Sats Kit	Anmärkning Notes	
	2511	2512							
1	1			1136-1291-01	Lyftaxel	Lift axle			
2	2			1136-0406-01	Bygel	Clamp			
3	4			9847-8119-16	Skruv	Screw			
4	1			1136-0095-01	Låsnål	Hair pin			
5	1			1136-0308-01	Bricka	Washer			
6	1			9747-1031-02	Låsmutter	Lock nut			
7	2			1136-0308-01	Bricka	Washer			
8	1			1136-0559-01	Lyftaxel	Lift axle			
9	2			1136-0406-01	Bygel	Clamp			
10	4			9847-8119-16	Skruv	Screw			
11	1			1136-0226-01	Ledbult	Pivot bolt			
12	2			1136-0308-01	Bricka	Washer			
13	1			9747-1031-02	Låsmutter	Lock nut			
14	1			1136-0347-01	Lyftlänk	Lift tie rod			
15	1			9799-1031-02	Mutter	Nut			
16	1			9747-1031-02	Låsmutter	Lock nut			
17	2			1136-0087-01	Bricka	Washer			
18	1			1136-0095-01	Låsnål	Hair pin			
19	1			1136-0563-01	Lyftstång	Lift rod			
20	1			1136-0235-01	Ledbult	Pivot bolt			
21	1			9799-0831-02	Mutter	Nut			
22	1			9747-0831-02	Mutter	Lock nut			
23	1			1136-0009-01	Låsplatta	Lock plate			
24	2			1136-0309-01	Bricka	Washer			
25	2			1136-0309-01	Bricka	Washer			
26	1			9747-0831-02	Mutter	Lock nut			
27	1			1136-0579-01	Lyftspak	Lift lever			
28	1			1136-0197-01	Handtag	Knob			
29	1			9997-0635-12	Skruv	Screw			
30	1			9747-0631-02	Låsmutter	Lock nut			
31	1			1136-0396-01	Fjäder	Spring			
32	1			1136-1268-01	Sprint	Pin			



Utgåva Issue 2006-13		Bildnr Picture No 1233B		GARDEN COMBI GARDEN COMBI HST AGGREGATSINKOPPLING		GARDEN COMBI GARDEN COMBI HST MOWER DECK ENGAGEMENT		Sida Page 54	
Pos. Fig.	Antal/Quantity			Art nr Part No	Benämning	Description	Sats Kit	Anmärkning Notes	
	2511 2512								
1	1			1136-0580-01	Inkopplingsspak	PTO lever			
2	1			1136-0197-01	Handtag	Knob			
3	1			1136-0560-01	Axel	Axle			
4	1			1136-0212-01	Fjäder	Spring			
5	1			9997-0880-16	Skruv	Screw			
6	1			9747-0831-02	Mutter	Lock nut			
7	2			1136-0256-01	Bygel	Plate			
8	4			9847-8016-16	Skruv	Screw			
9	1			1136-0964-01	Fjäder	Spring			
10	1			1136-0398-01	Glidblock	Shoe			
11	2			9997-0616-16	Skruv	Screw			
12	2			9747-0631-02	Låsmutter	Lock nut			
13	1			1136-1252-01	Stång	Rod			
14	1			1136-0093-01	Kulled	Ball joint			
15	1			1136-1275-01	Bygel	Clamp			
16	1			1136-1265-01	Fjäder	Spring			
17	1			9699-0090-02	Planbricka	Flat washer			
18	1			1136-1267-01	Ledbult	Pivot pin			
19	1			9799-0831-02	Mutter	Nut			
20	1			9747-0831-02	Mutter	Lock nut			
21	1			9683-0030-02	Låsbricka	Lock washer			
22	1			9799-0831-02	Mutter	Nut			
23	1			1136-0308-01	Bricka	Washer			
24	1			1136-0095-01	Låsnål	Hair pin			
25	1			1136-0306-01	Bricka	Washer			
31	1			1136-1253-01	Arm	Lever			
32	1			1136-0373-01	Bussning	Bushing			
33	1			9997-0845-12	Skruv	Screw			
34	1			9699-0056-02	Planbricka	Flat washer			
35	1			1136-0089-01	Bricka	Washer			
36	1			1136-0014-01	Bricka	Washer			
37	1			9747-0831-02	Mutter	Lock nut			
38	1			1136-1271-01	Spännrulle	Idler pulley			
39	1			1136-1213-01	Skruv	Screw			
40	1			9699-0056-02	Planbricka	Flat washer			
41	1			9739-0831-22	Mutter	Nut			
42	1			1136-0431-01	Kiltrem	V-belt			
61	1			1136-0574-01	Knivbroms	Blade brake			
62	1			1136-0079-01	Bussning	Bushing			
63	1			1136-0089-01	Bricka	Washer			
64	1			9997-0820-16	Skruv	Screw			
65	1			9712-0831-02	Låsmutter	Lock nut			
66	1			1136-1251-01	Stång	Rod			
67	1			1136-0235-01	Ledbult	Pivot bolt			
68	1			9799-0831-02	Mutter	Nut			
69	1			9747-0831-02	Mutter	Lock nut			
70	2			1136-0309-01	Bricka	Washer			
71	1			9747-0831-02	Mutter	Lock nut			
72	1			1136-0095-01	Låsnål	Hair pin			



Utgåva Issue 2006- 13		Bildnr Picture No 1234B		GARDEN COMBI GARDEN COMBI HST KLIPPAGGREGAT		GARDEN COMBI GARDEN COMBI HST MOWER DECK		Sida Page 56	
Pos. Fig.	Antal/Quantity			Art nr Part No	Benämning	Description	Sats Kit	Anmärkning Notes	
	2511 2512								
1	1			1136- 1261- 01	Klippaggregatskåpa	Mower deck casing		Inkl. pos 2 - 4	
2	1			1136- 0120- 01	• Vattenslangnippel	• Water hose connection.....			
3	1			1136- 0068- 01	• O- ring	• O- ring		Inkl. pos 10 - 14	
4	1			1136- 0012- 01	• Nit	• Rivet			
5	1			1136- 0372- 01	Utkasttratt	Conveyor inlet			
6	6			9898- 0620- 16	Skruv	Screw			
7	6			9699- 0060- 02	Planbricka	Flat washer			
8	6			9747- 0631- 02	Låsmutter	Lock nut			
9	1			1136- 0573- 01	Lagerbox kpl	Bearing box assy			
10	1			1136- 0364- 01	• Knivaxel	• Blade shaft			
12	2			1136- 0069- 01	• Kullager	• Ball bearing			
13	1			1136- 0176- 01	• Dammskydd	• Dust cover			
14	1			9650- 0020- 04	• Spårring	• Circlip			
15	4			9898- 0825- 16	Skruv	Screw			
17	4			9739- 0831- 22	Mutter	Nut			
18	1			1136- 0221- 01	Knivfäste	Blade hub			
19	1			9600- 0014- 00	Kil	Key			
20	1			1136- 1295- 01	Kniv	Blade			
21	1			1136- 0083- 01	Fjäderbricka	Elastic washer			
22	1			1136- 0015- 01	Bricka	Washer			
23	1			9987- 5238- 12	Knivbult	Blade bolt			
24	1			1136- 1272- 01	Remskiva	Belt pulley			
25	1			1136- 0001- 01	Kil	Key			
26	1			9997- 0820- 16	Skruv	Screw			
27	1			1136- 0307- 01	Bricka	Washer			
28	1			9683- 0030- 02	Låsbricka	Lock washer			
29	1			1136- 0399- 01	Luftintag	Air intake grill			
30	4			9898- 0616- 16	Skruv	Screw			
31	4			9699- 0028- 02	Planbricka	Flat washer			
32	4			9747- 0631- 02	Låsmutter	Lock nut			
33	1			9997- 1090- 16	Skruv	Screw			
34	2			1136- 0015- 01	Bricka	Washer			
35	1			1136- 0002- 01	Mutter	Nut			
36	1			1136- 0226- 01	Ledbult	Pivot bolt			
37	1			9799- 1031- 02	Mutter	Nut			
38	1			9747- 1031- 02	Låsmutter	Lock nut			
39	1			9683- 0040- 02	Låsbricka	Lock washer			
51	1			1136- 0377- 01	Utkaströr	Conveyor			
52	1			1136- 0384- 01	Deflektor	Deflector			
53	8			9836- 9618- 12	Skruv	Screw			
54	1			1136- 0401- 01	Axel	Pin			
55	2			1136- 0095- 01	Låsnål	Hair pin			



Utgåva Issue 2006-13		Bildnr Picture No 1235B		GARDEN COMBI GARDEN COMBI HST UPPSAMLARE		GARDEN COMBI GARDEN COMBI HST GRASS CATCHER		Sida Page 58	
Pos. Fig.	Antal/Quantity			Art nr Part No	Benämning	Description	Sats Kit	Anmärkning Notes	
	2511	2512							
1	1			1136-0593-01	Ram- nedre	Frame- lower			
2	1			1136-0594-01	Ram- övre	Frame- upper			
3	1			1136-0569-01	Uppsamlingsäck	Grass bag			
4	1			1136-0362-01	Vinkelstöd- hö	Angle support- RH			
5	1			1136-0363-01	Vinkelstöd- vä	Angle support- LH			
6	1			1136-0264-01	Stag	Rod			
7	1			1136-0587-01	Förstärkningsstag	Reinforcement rod			
8	4			9847-8116-16	• Skruv	• Screw			
9	4			9997-0630-12	• Skruv	• Screw			
10	4			9683-0010-02	• Bricka	• Washer			
11	4			9799-0631-02	• Mutter	• Nut			
12	2			9997-0635-12	• Skruv	• Screw			
13	2			9699-0035-02	• Planbricka	• Flat washer			
14	2			9747-0631-02	• Låsmutter	• Lock nut			
18	1			1136-0601-01	Skruvsats	Screw set		Inkl. pos 8 - 14	
31	1			1136-0280-01	Brytarskydd	Micro protection			
32	1			1136-0281-01	Skyddslock	Protection cover			
33	1			1136-0186-01	Brytararm	Switch lever			
34	1			1136-0007-01	Axel	Pin			
35	1			9847-8013-16	Skruv	Screw			
36	1			1136-0282-01	Brytarskydd	Micro protection			
37	1			1136-0283-01	Skyddslock	Protection cover			
38	2			9847-8019-16	Skruv	Screw			