

Genuine Spare Parts

www.stiga.com

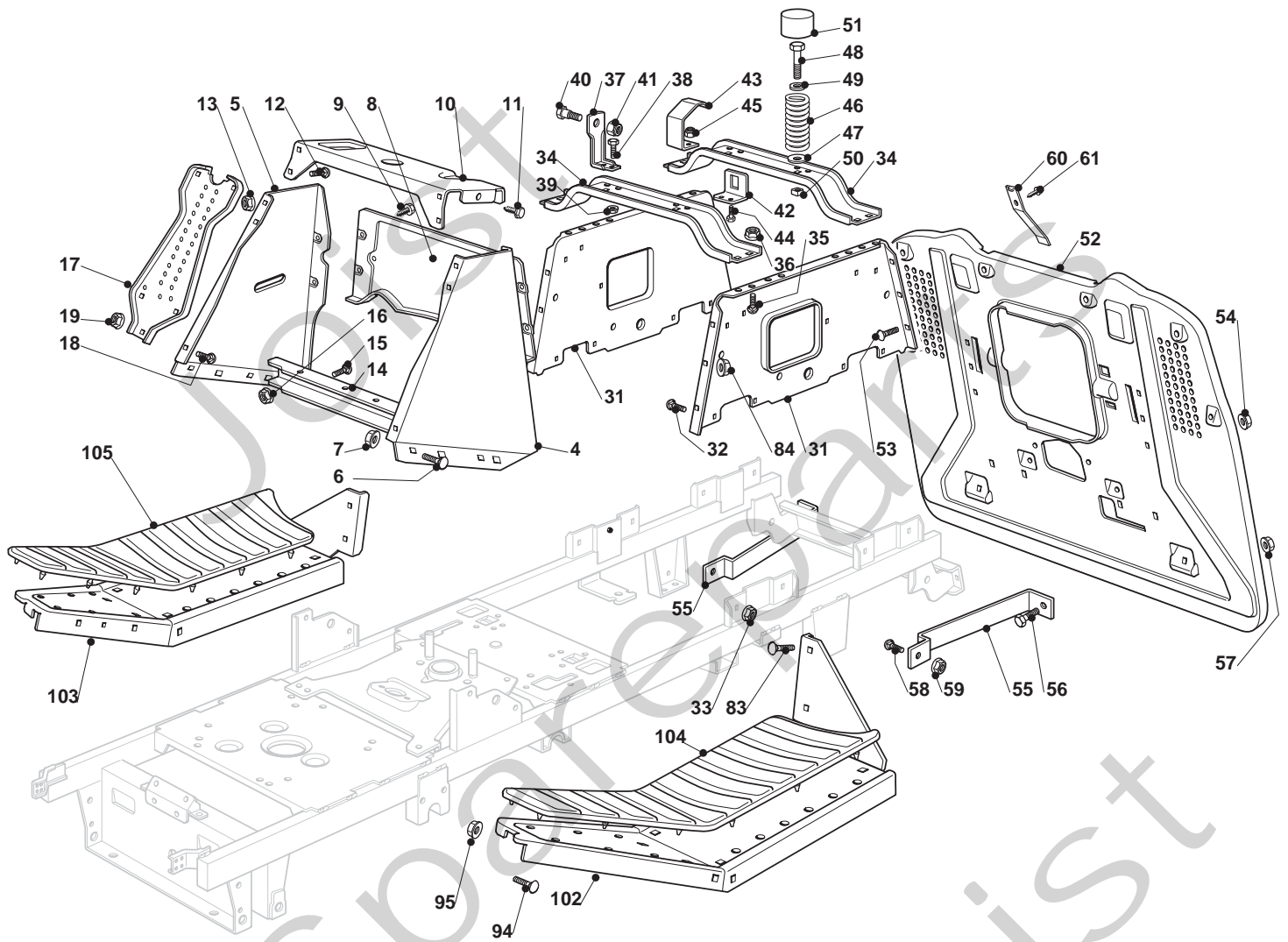
SC 9214 Model Year 2011

- Use GLOBAL GARDEN PRODUCT Genuine Spare Parts specified in the parts list for repair and/or replacement.
- The contents described in the parts list may change due to improvement.
- The drawings of the spare parts are only indicative and might not represent the part in question exactly.
- The indications "right" - "left" - "front" - "rear" refer to the position of the operator when using the machine.
- When placing orders of parts for repair and/or replacement, make sure that the illustrated parts list is the one applying to the machine's year of manufacture, as shown on the identification plate attached to the machine.

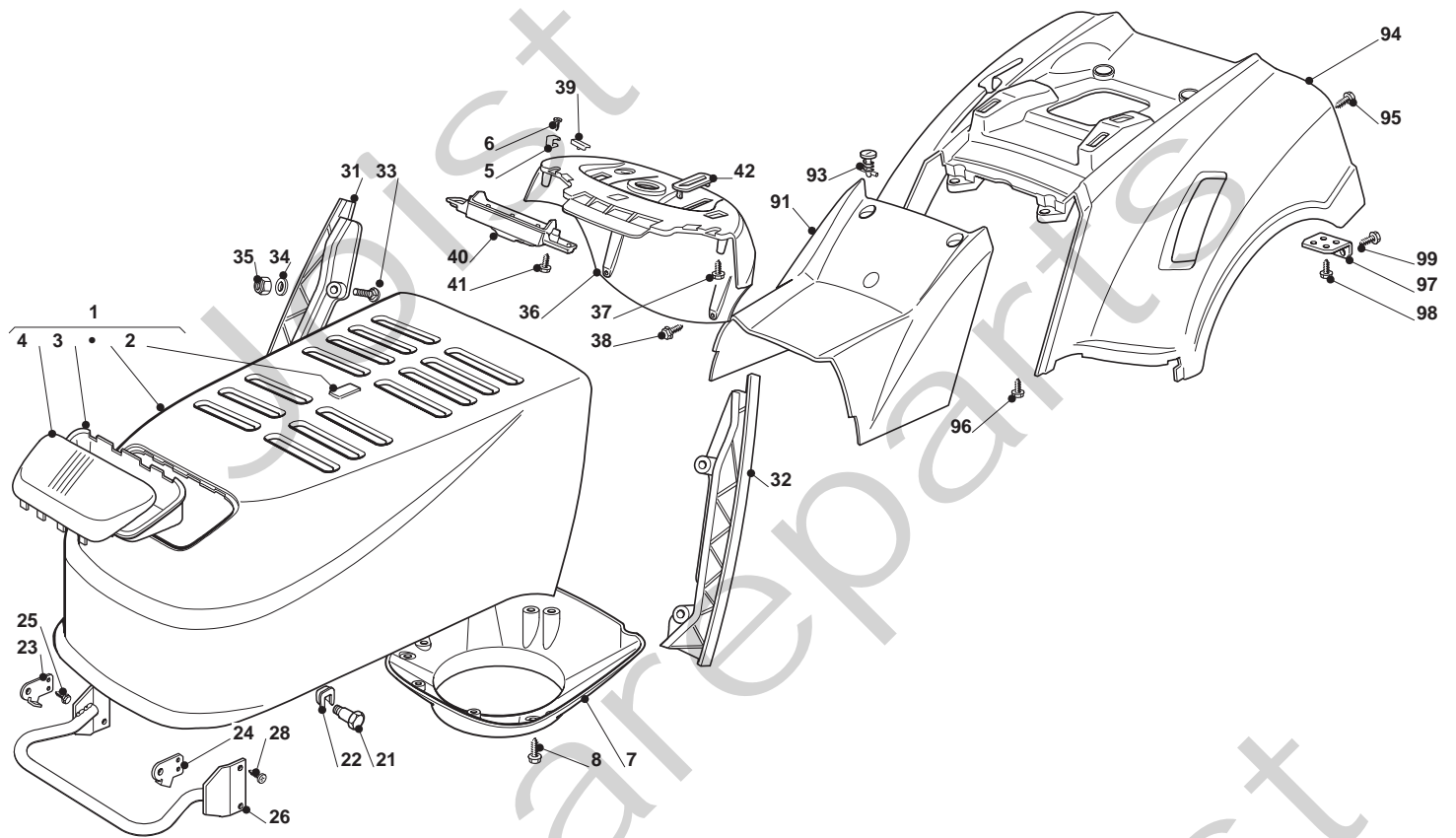
COPYRIGHT by GLOBAL GARDEN PRODUCTS

All rights reserved. No part of this material may be reproduced or transmitted, in any form or by any means, electronic or mechanical, including photocopying, recording or by any information storage and retrieval system, without permission in writing from GLOBAL GARDEN PRODUCTS.



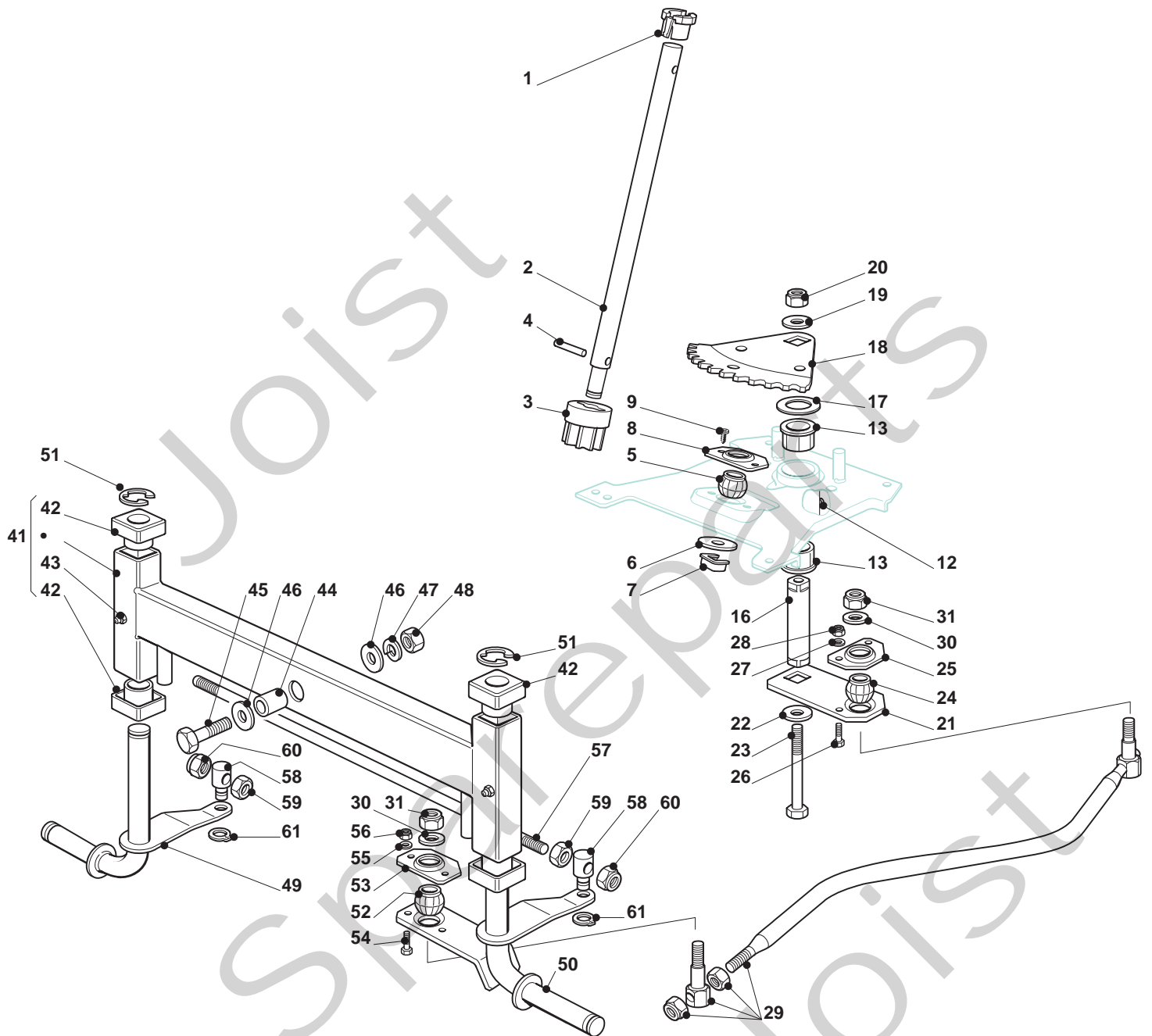


Pos. Fig.	Antal Quantity	Art No Part No	Benämning	Description	Anmärkning Notes
4	1	325785243/1	Instrumentbrädal vä Stöd	Left Dashboard Supp.	
5	1	25785245/0	Instrumentbrädal hö Stöd	Right Dashboard Supp.	
6	4	12818690/0	Skruv	Screw	
7	4	12293201/0	Mutter	Nut	
8	1	382785151/1	Rear Dashboard Supp	Rear Dashboard Supp	
9	4	12735110/0	Skruv	Screw	
10	1	25785255/0	Central Dashboard Supp	Central Dashboard Supp	
11	2	12735110/0	Skruv	Screw	
12	4	12815200/0	Skruv	Screw	
13	4	12292102/0	Mutter	Nut	
14	1	25785241/0	Stöd	Support	
15	2	12815200/0	Skruv	Screw	
16	2	12292102/0	Mutter	Nut	
17	2	382785153/1	Front Dashboard Supp	Front Dashboard Supp	
18	2	12815200/0	Skruv	Screw	
19	2	12292102/0	Mutter	Nut	
31	2	325785249/1	Seat Support	Seat Support	
32	8	12815200/0	Skruv	Screw	
33	8	12292102/0	Mutter	Nut	
34	2	325785257/1	Seat Support	Seat Support	
35	8	12818690/0	Skruv	Screw	
36	8	12293201/0	Mutter	Nut	
37	2	25755039/0	Fästvinkel	Bracket	
38	4	12792611/0	Skruv	Screw	
39	4	12293201/0	Mutter	Nut	
40	2	22524970/2	Stift	Pin	
41	2	12155010/0	Mutter	Nut	
42	1	25755043/0	Fästvinkel	Bracket	
43	1	25430253/0	Fjäder	Spring	
44	2	12789000/0	Skruv	Screw	
45	2	12154330/0	Mutter	Nut	
46	2	125430257/1	Fjäder	Spring	
47	2	12523070/0	Bricka	Washer	
48	2	12760515/0	Skruv	Screw	
49	2	22671653/0	Bricka	Washer	
50	2	12360425/0	Mutter	Nut	
51	2	25122000/2	Styrning	Hood	
52	1	382547041/1	Tavla	Plate	
53	6	12792611/0	Skruv	Screw	
54	6	12293201/0	Mutter	Nut	
55	2	25650119/0	Reduktion	Plate Stiffening	
56	2	12792611/0	Skruv	Screw	
57	2	12293201/0	Mutter	Nut	
58	2	12818690/0	Skruv	Screw	
59	2	12293201/0	Mutter	Nut	
60	1	27430554/0	Fjäder	Spring	
61	1	12735110/0	Skruv	Screw	
83	4	12792611/0	Skruv	Screw	
84	4	12293201/0	Mutter	Nut	
94	4	12815200/0	Skruv	Screw	
95	4	12292102/0	Mutter	Nut	
102	1	382510083/0	Fotsteg Vä Stöd	Left Footboard Support	
103	1	382510081/0	Fotsteg hö Stöd	Right Footboard Support	
104	1	25110327/0	Fotsteg Vä täcka	Left Footboard Cover	
105	1	25110326/0	Fotsteg hö täcka	Right Footboard Cover	



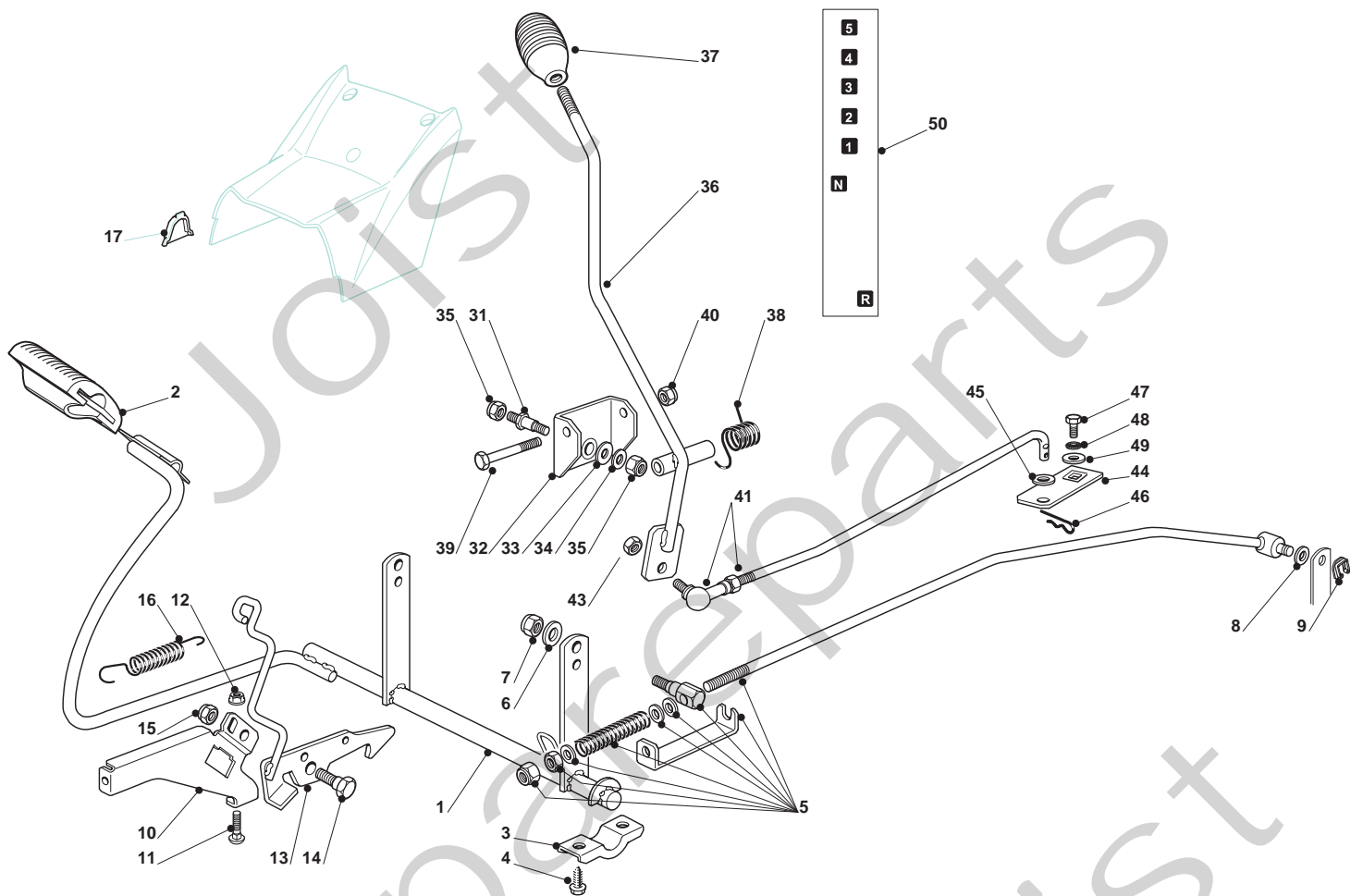


Pos. Fig.	Antal Quantity	Art No Part No	Benämning	Description	Anmärkning Notes
1	1	382076952/0	Engine Hood Black	Engine Hood Black	
2	1	325076897/0	Trombocyt	Plate Black	
3	1	25485001/0	Lights Parabola	Lights Parabola	
4	1	25410865/0	Frontkåpa	Grill	
5	2	125430215/1	Fjäder	Coupling Spring	
6	2	12728450/0	Skruv	Screw	
7	1	25108028/0	Intake Separator	Intake Separator	
8	3	12728686/0	Skruv	Screw	
21	2	25510039/0	Stift	Pin	
22	2	12436050/0	Trombocyt	Plate	
23	1	325547089/1	Trombocyt hö	Right Plate	
24	1	325547091/1	Trombocyt vä	Left Plate	
25	4	12731580/0	Skruv	Screw	
26	1	82869031/0	Ljuddämparskydd	Muffler Protection	
28	4	12734995/0	Skruv	Screw	
31	1	25599008/0	Instrumentbrädal hö Stöd	Right Dashboard Supp.	
32	1	25599009/0	Instrumentbrädal vä Stöd	Left Dashboard Supp.	
33	4	12815221/0	Skruv	Screw	
34	4	12521330/0	Bricka	Washer	
35	4	12154510/0	Mutter	Nut	
36	1	25120189/0	Instrumentbräda	Dashboard	
37	2	12728440/0	Skruv	Screw	
38	2	12735402/0	Skruv	Screw	
39	2	25260000/0	Hylsa	Grommet	
40	1	25600074/0	Skydd Röd	Card Protection	
41	2	12735402/0	Skruv	Screw	
42	1	25547181/0	Trombocyt	Plate	
91	1	325110393/0	Kåpa svart	Cover, Black	
93	2	25580020/0	Stift	Pivot	
94	1	325110392/0	Wheels Cover Black	Wheels Cover Black	
95	4	12735402/0	Skruv	Screw	
96	2	12735402/0	Skruv	Screw	
97	2	25755041/0	Fästvinkel	Bracket	
98	4	12728686/0	Skruv	Screw	
99	2	12735110/0	Skruv	Screw	



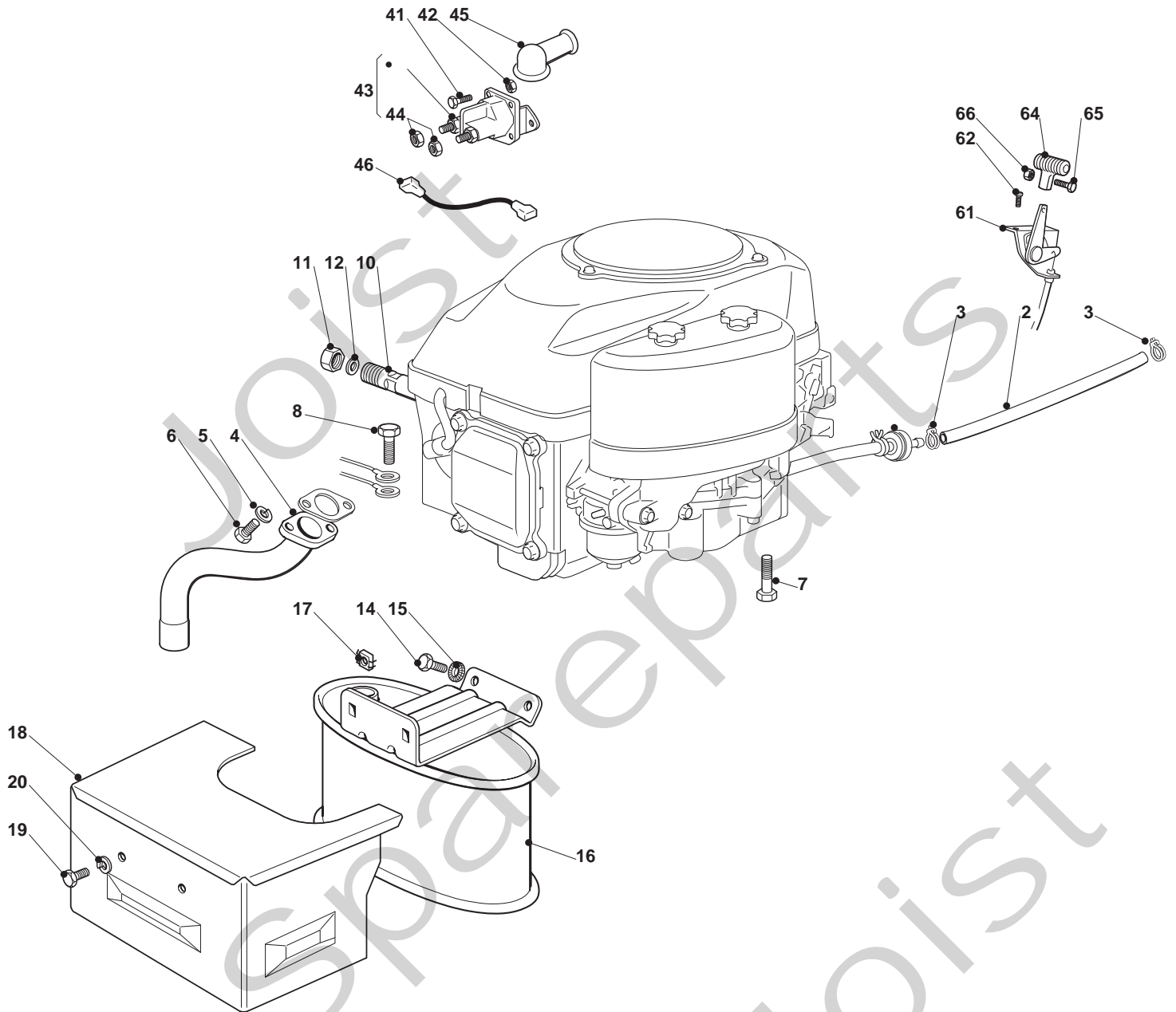


Pos. Fig.	Antal Quantity	Art No Part No	Benämning	Description	Anmärkning Notes
1	1	25038004/0	Kompass	Bush	
2	1	125520006/1	Steering Column	Steering Column	
3	1	27570050/0	Drev	Pinion	
4	1	12622650/0	Stift	Pin	
5	1	25743000/0	Ledkåpa, Vä+Hö	Joint	
6	1	12521370/0	Bricka	Washer	
7	1	12436030/0	Trombocyt	Plate	
8	1	25785213/0	Stöd	Support	
8	1	325785213/1	Stöd	Support	
9	2	12729601/1	Skruv	Screw	
12	1	12379511/0	Smörjnippel	Grease Dispenser	
13	2	25040624/0	Kompass	Bush	
16	1	25510092/0	Stift	Pin	
17	1	25670019/0	Bricka	Washer	
18	1	25735513/0	Sector	Steering Shaft	
19	1	12523080/0	Bricka	Washer	
20	1	12155020/0	Mutter	Nut	
21	1	25318205/0	Arm	Lever	
22	1	12523080/0	Bricka	Washer	
23	1	12794985/0	Skruv	Screw	
24	1	25743000/0	Ledkåpa, Vä+Hö	Joint	
25	1	25785213/0	Stöd	Support	
25	1	325785213/1	Stöd	Support	
26	2	12791213/1	Skruv	Screw	
27	2	12521330/0	Bricka	Washer	
28	2	12154510/0	Mutter	Nut	
29	1	382000538/1	Vevstake	Steering Rod	
30	2	12523070/0	Bricka	Washer	
31	2	12155010/0	Mutter	Nut	
41	1	382034021/1	Equalizer With Bush And Lubricator	Equalizer With Bush And Lubricator	
42	4	25040622/0	Bussning	Bush	
43	2	12379511/0	Smörjnippel	Grease Dispenser	
44	1	25160016/0	Distans	Spacer	
45	1	12692695/0	Skruv	Screw	
46	2	12523100/0	Bricka	Washer	
47	1	12587100/0	Bricka	Washer	
48	1	12295300/0	Mutter	Nut	
49	1	82230363/0	Right Stub Axle	Right Stub Axle	
50	1	82230365/0	Left Stub Axle	Left Stub Axle	
51	2	12001000/0	Låsring	Snap Ring	
52	1	25743000/0	Ledkåpa, Vä+Hö	Joint	
53	1	25785213/0	Stöd	Support	
53	1	325785213/1	Stöd	Support	
54	2	12791213/1	Skruv	Screw	
55	2	12521330/0	Bricka	Washer	
56	2	12154510/0	Mutter	Nut	
57	1	25840022/0	Gasreglagelänk	Tie Rod	
58	2	25510096/0	Stift	Pin	
59	2	12295200/0	Mutter	Nut	
60	2	12156602/0	Mutter	Nut	
61	2	12000956/0	Låsring	Benzing	



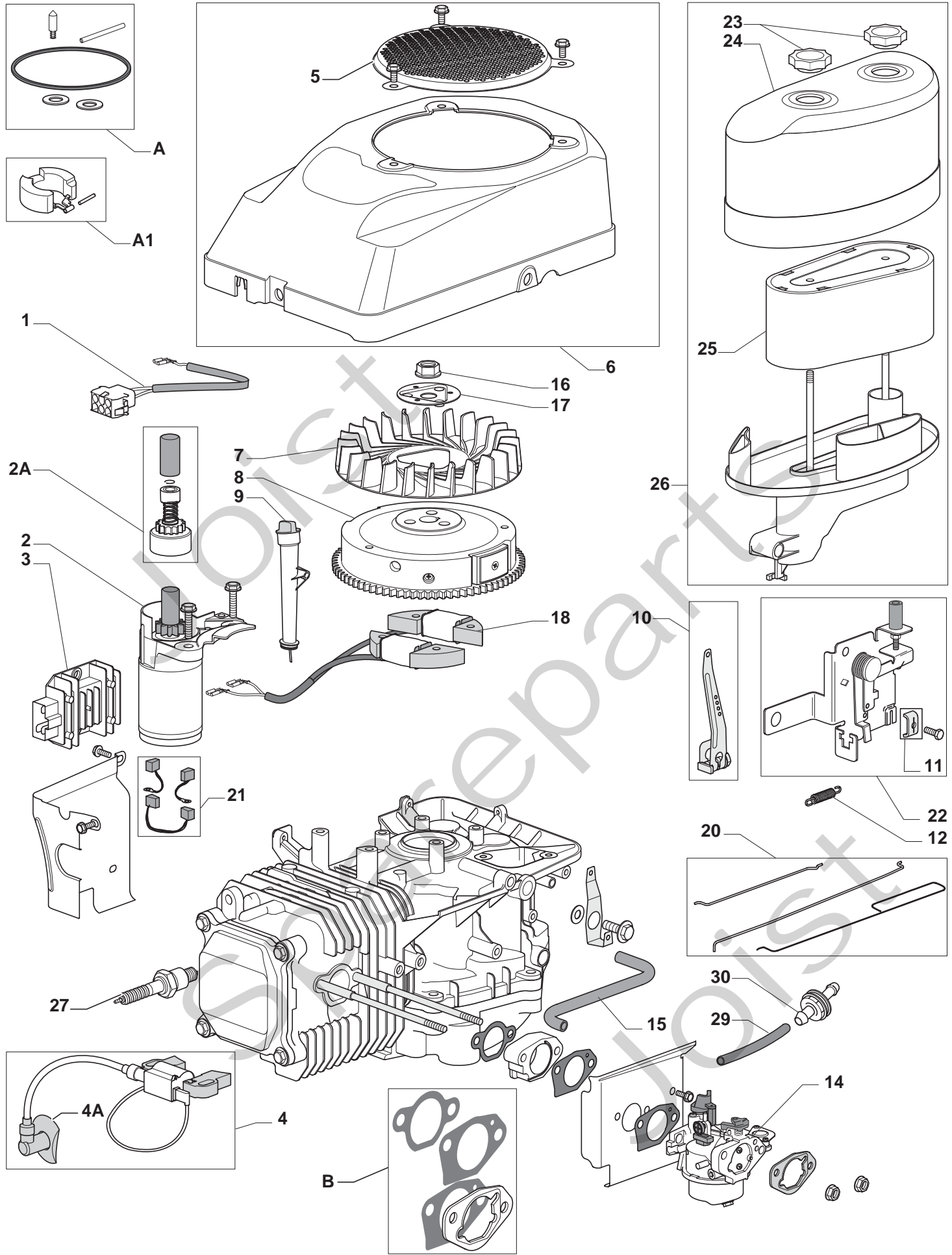


Pos. Fig.	Antal Quantity	Art No Part No	Benämning	Description	Anmärkning Notes
1	1	82500027/1	Pedal	Pedal	
2	1	25110269/0	Clamp Cover	Clamp Cover	
3	2	27546015/1	Trombocyt	Plate	
4	4	12729601/1	Skruv	Screw	
5	1	382000541/1	Länk	Rod	
6	1	12523040/0	Bricka	Washer	
7	1	12154510/0	Mutter	Nut	
8	1	12521350/0	Bricka	Washer	
9	1	12436050/0	Trombocyt	Plate	
10	1	25785261/0	Stöd	Support	
11	2	12815200/0	Skruv	Screw	
12	2	12292102/0	Mutter	Nut	
13	1	82000531/0	Länk	Rod	
14	1	22524970/2	Stift	Pin	
15	1	12155000/0	Mutter	Nut	
16	1	25430213/0	Fjäder	Spring	
17	1	25207172/0	Trombocyt	Plate	
31	1	25510035/0	Stift	Pin	
32	1	82774247/0	Fäste	Clamp	
33	1	22672152/0	Bricka	Washer	
34	1	12523060/0	Bricka	Washer	
35	2	12155010/0	Mutter	Nut	
36	1	82318215/0	Arm	Gearshift	
37	1	25394510/0	Knopp	Knob	
38	1	25430258/0	Fjäder	Spring	
39	1	12692050/0	Skruv	Screw	
40	1	12155000/0	Mutter	Nut	
41	1	382000545/0	Länk	Rod	
43	1	12155000/0	Mutter	Nut	
44	1	25318169/0	Arm	Gearshift	
45	1	12521340/0	Bricka	Washer	
46	1	24487997/0	Bricka	Washer	
47	1	12735520/0	Skruv	Screw	
48	1	12540040/0	Bricka	Washer	
49	1	22680009/0	Bricka	Washer	
50	1	14361447/0	Dekal	Label	





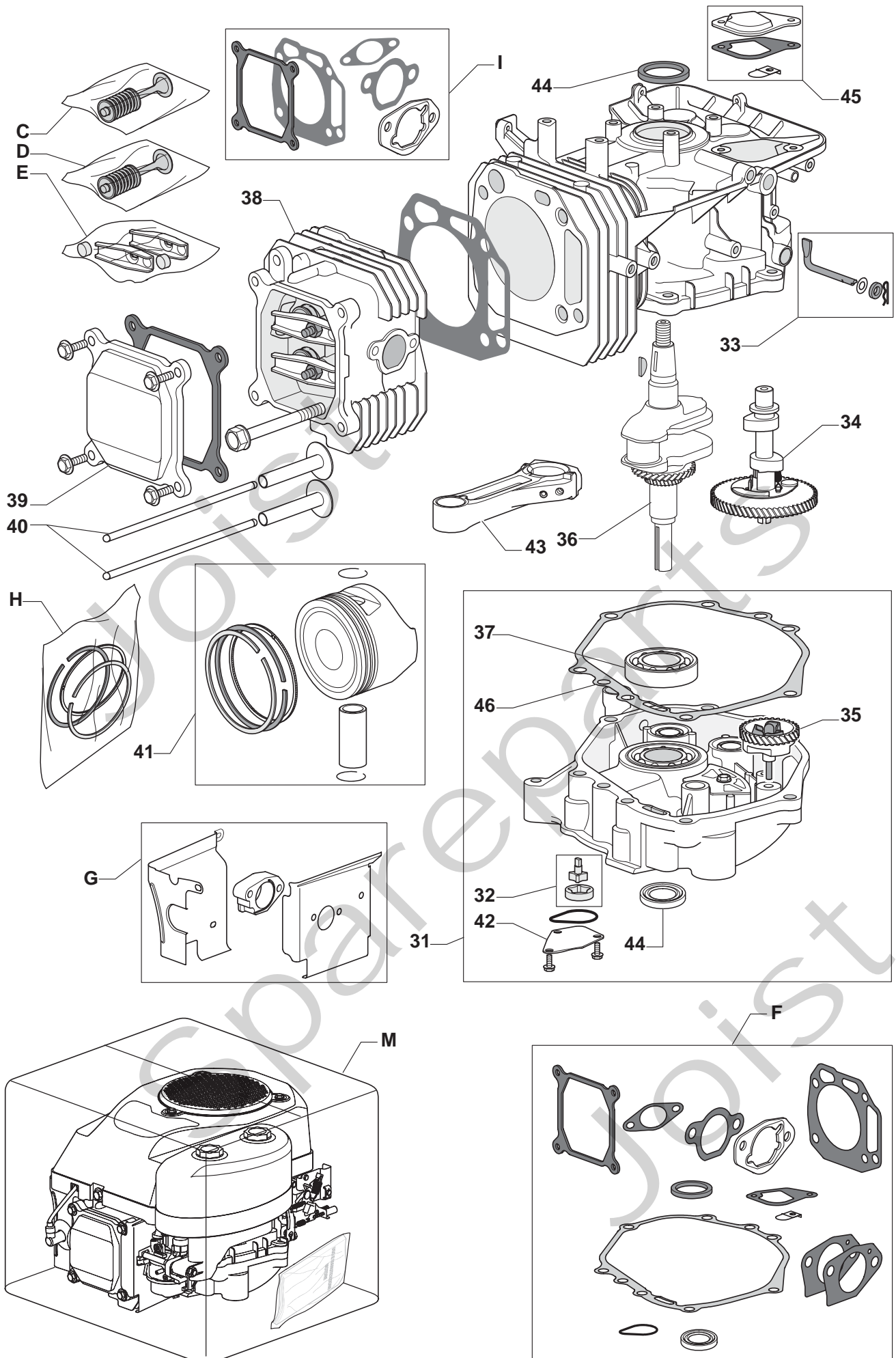
Pos. Fig.	Antal Quantity	Art No Part No	Benämning	Description	Anmärkning Notes
2	1	25869057/0	Vevstake	Connecting Tube (1000 Mm)	
3	4	18375051/1	Slangklämma	Fair Led	
4	1	118738231/1	Avgasrör	Exhaust Tube	
5	2	12583500/0	Bricka	Grower	
6	2	12737450/0	Skruv	Screw	
7	4	112735108/1	Skruv	Screw	
8	1	12735599/0	Skruv	Screw	
10	1	27598060/0	Oil Discharge Extension	Oil Discharge Extension	
11	1	18737849/0	Lock	Oil Cap	
12	1	18401001/1	Tätningring	Oil Seal	
14	2	12793102/0	Skruv	Screw	
15	2	12540260/0	Bricka	Washer	
16	1	182750010/0	Ljuddämpare	Muffler	
17	2	12360425/0	Mutter	Nut	
18	1	382598039/0	Skydd	Guard	
19	2	12792611/0	Skruv	Screw	
20	2	12583500/0	Bricka	Grower	
41	2	12791213/1	Skruv	Screw	
42	2	12292102/0	Mutter	Nut	
43	1	18736110/0	Starter Relay	Starter Relay	
44	2	12360352/0	Mutter	Nut	
45	1	18564864/1	Tätningshylsa	Protection	
46	1	25065017/0	Kabel	Cable	
61	1	182000212/0	Gasreglage	Accelerator	
62	2	125943012/0	Skruv	Screw	
64	1	25394501/0	Handtag	Handle	
65	1	12726388/0	Stift	Screw	
66	1	12290800/0	Mutter	Nut	





SC 9214

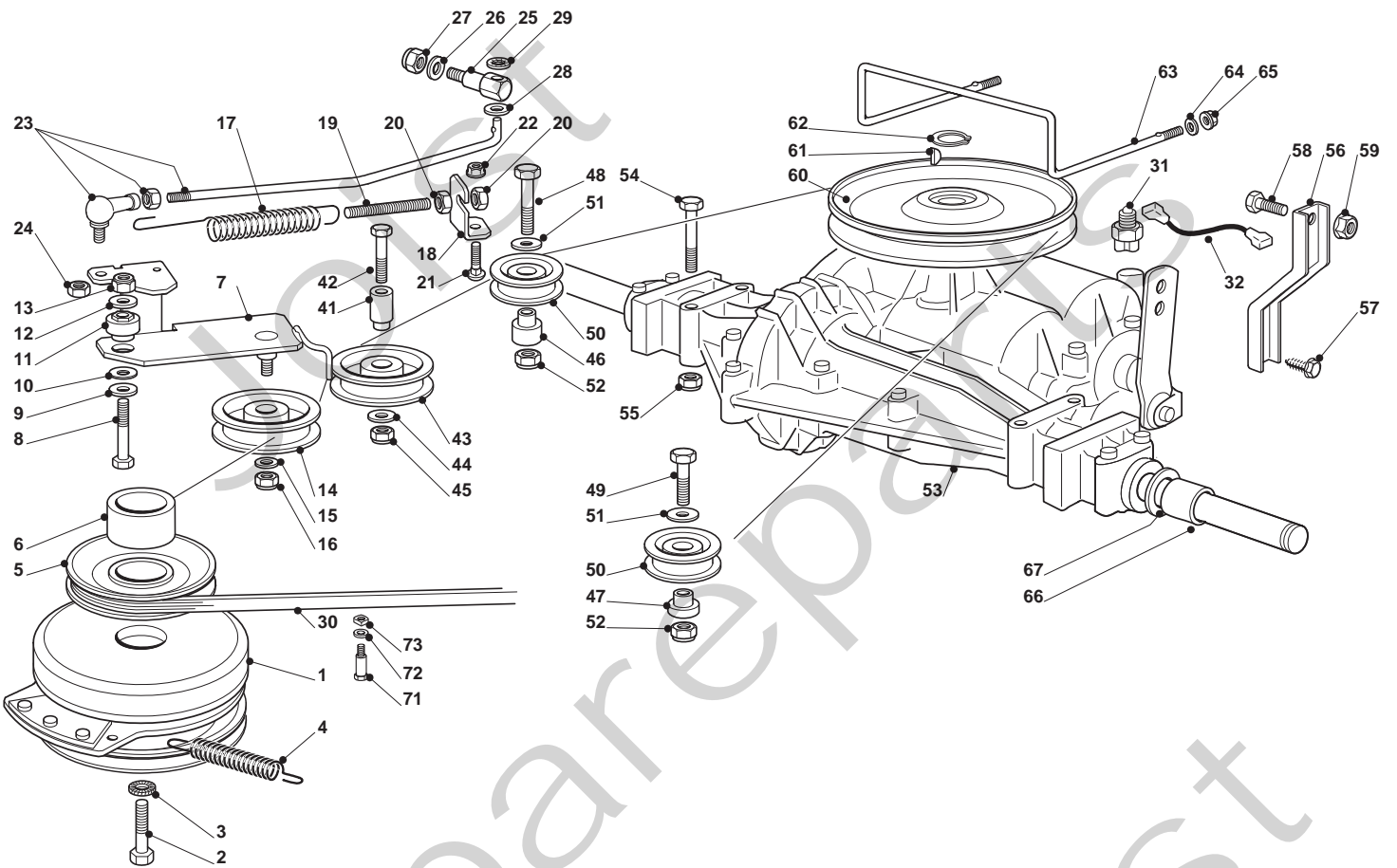
Pos. Fig.	Antal Quantity	Art No Part No	Benämning	Description	Anmärkning Notes
B	1	118550217/0	Packning	Gasket Set	
A	1	118550442/0	Carburettor Gasket Set	Carburettor Gasket Set	
1	1	118550207/0	Output Wire, Rectifier	Output Wire, Rectifier	
A1	1	118550440/0	Kit Repair, Carburettor	Kit Repair, Carburettor	
2	1	118550214/0	Start Motor Assy	Start Motor Assy	
2A	1	118550365/1	Kit Repair	Kit Repair	
3	1	118550208/0	Rectfier	Rectfier	
4	1	118550209/0	Elektronikspole	Elettronic Coil	
4A	1	118550448/0	Tändstiftsfjäder	Spark Plug Terminal	
5	1	118550203/0	Fan Cover	Fan Cover	
6	1	118550215/0	Täck	Cover Assy	
7	1	118550235/0	Fläkt	Flywheel Fan	
8	1	118550234/1	Svänghjul	Flywheel Ass.Y	
9	1	118550205/1	Oil Filler Assy	Oil Filler Assy	
10	1	118550330/1	Arm Governor Assy	Arm Governor Assy	
11	1	118550212/0	Casing Clamp	Casing Clamp	
12	1	118550213/0	Fjäder	Spring	
14	1	118550375/0	Förgasare	Carburettor	
15	1	118550225/1	Oljeslang	Breather Fule Pipe	
16	1	118550237/0	Mutter	Nut	
17	1	118550236/0	Startkopp	Starter Cup	
18	1	118550210/1	Coil Assy, Charge	Coil Assy, Charge	
20	1	118550239/1	Governor Rod Assy	Governor Rod Assy	
21	1	118550332/1	Borste	Brushhold	
22	1	118550331/1	Fjärrkontroll	Remote Control Assy	
23	2	118550201/0	Knopp	Knob	
24	1	118550200/0	Luffilterlock	Air Cleaner Cover	
25	1	118550199/0	Luffilter	Air Filter	
26	1	118550202/1	Luffilter	Air Cleaner Assy	
27	1	9400 0244 00	Tändstift	Spark Plug	
29	1	118550432/0	Bränsleslang in	Fuel Pipe	
30	1	118550354/1	Bränslefilter	Screen	





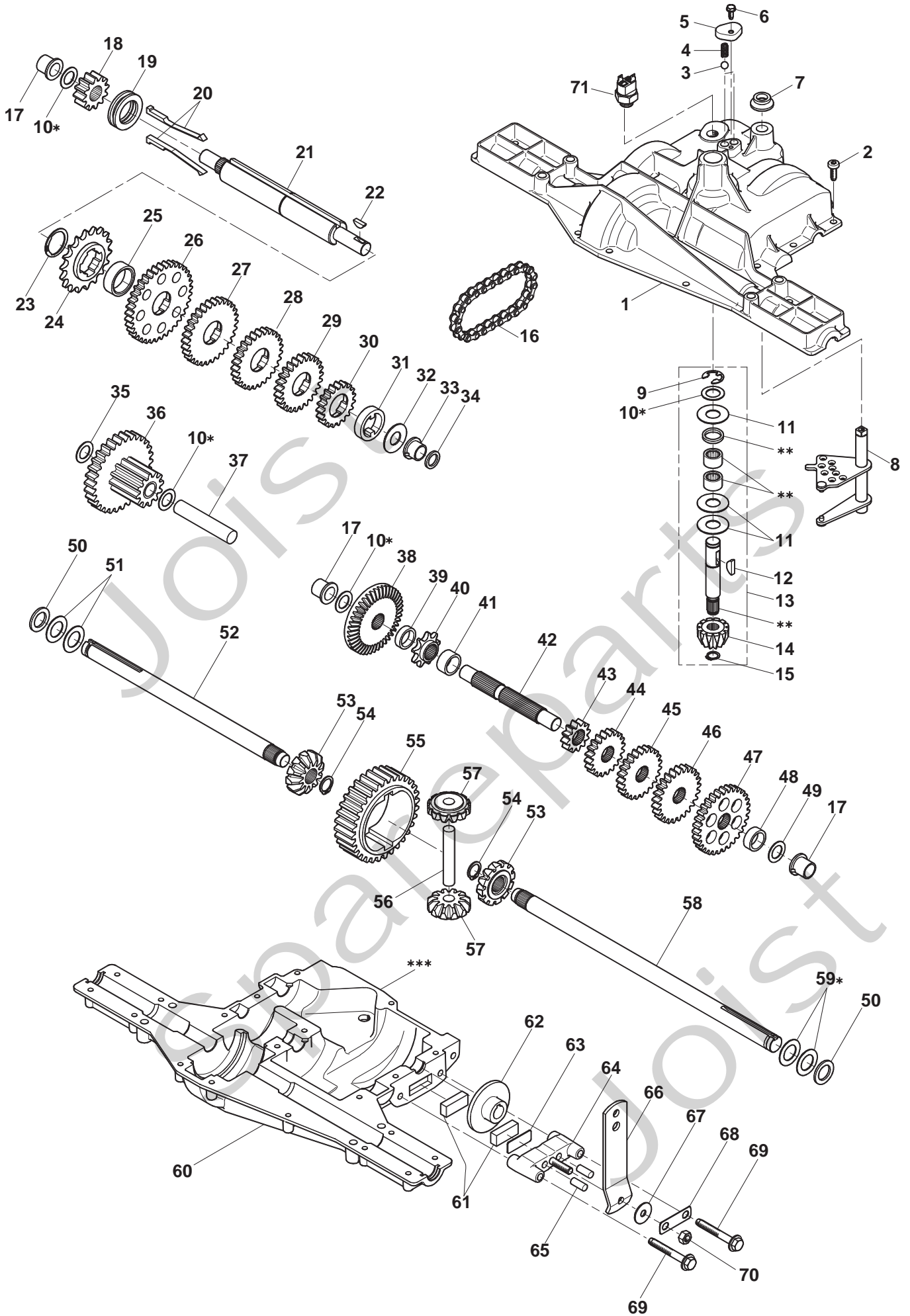
SC 9214

Pos. Fig.	Antal Quantity	Art No Part No	Benämning	Description	Anmärkning Notes
G	1	118550220/0	Engine Guard Assy	Engine Guard Assy	
C	1	118550240/0	Intake Valve Assy	Intake Valve Assy	
D	1	118550241/0	Exhaust Valve Assy	Exhaust Valve Assy	
E	1	118550334/0	Valve Arm Set	Valve Arm Set	
H	1	118550447/0	Piston, Ring Set	Piston, Ring Set	
I	1	118550449/0	Cylinder Head Gasket Set	Cylinder Head Gasket Set	
F	1	118550450/0	Packning	Engine Gasket Set	
M	1	118550451/0	Motor Monterade	Engine Assembled	
31	1	118550445/0	Vevhus	Crankcase Cover Assy	
32	1	118550224/0	Oljepump	Oil Pump	
33	1	118550226/0	Vevaxel	Shaft, Governor Arm Assy	
34	1	118550243/0	Camshaft Assy	Camshaft Assy	
35	1	118550347/0	Speed Governor Assy	Speed Governor Assy	
36	1	118550232/0	Vevaxel	Crankshaft	
37	1	118550227/0	Kullager	Bearing	
38	1	118550233/0	Cylinder Head Assy	Cylinder Head Assy	
39	1	118550206/0	Cover Comp., Head	Cover Comp., Head	
40	1	118550242/0	Stötstänger	Push Rods Assy	
41	1	118550329/1	Kolv kpl	Piston Assy	
42	1	118550223/0	Pumplock	Oil Pump Cover	
43	1	118550231/0	Connecting Rod Assy	Connecting Rod Assy	
44	1	118550443/0	Tätningring	Oil Seal	
45	1	118550446/0	Packning	Gasket Assy	
46	1	118550355/1	Packning	Crankcase Gasket	

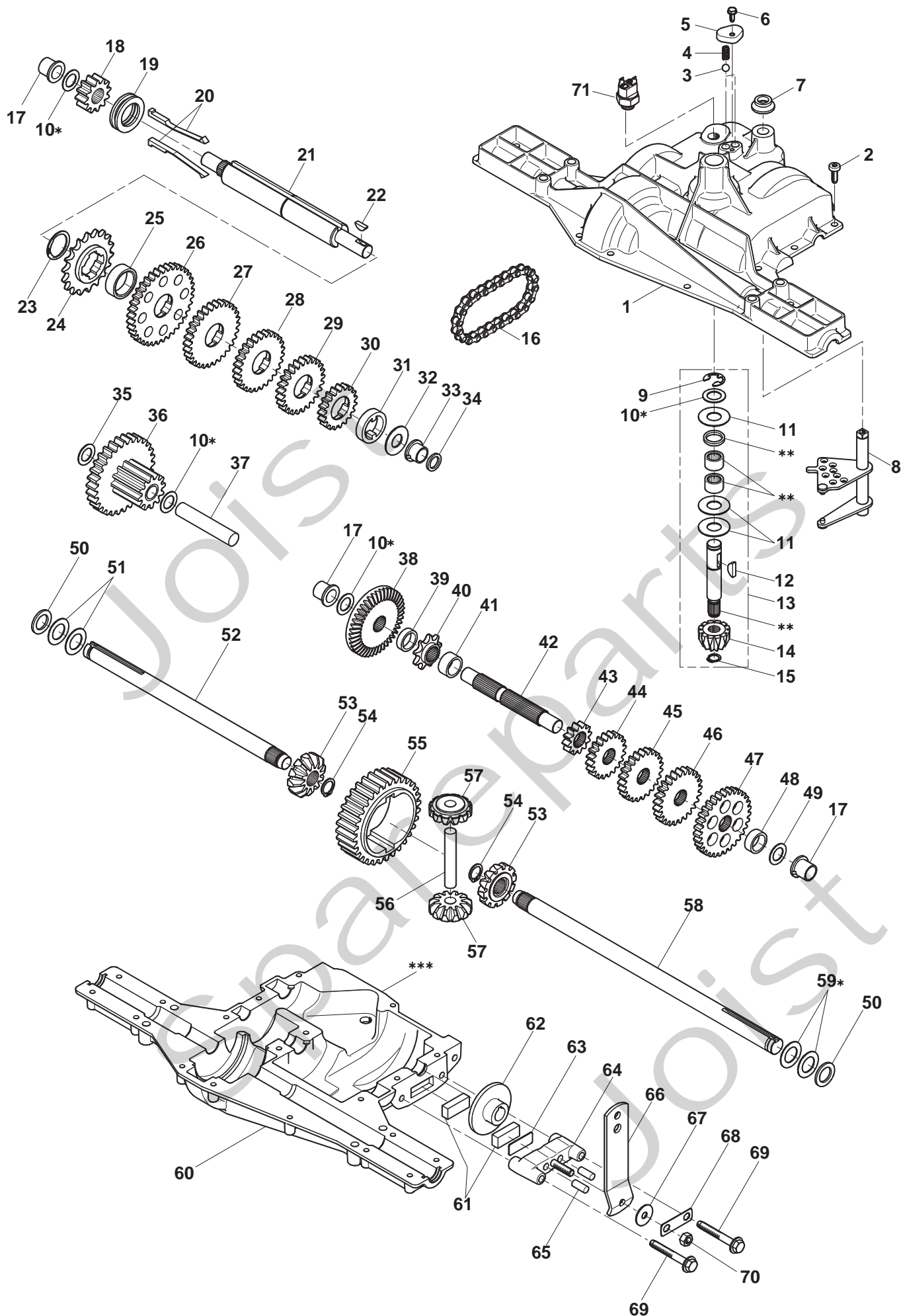




Pos. Fig.	Antal Quantity	Art No Part No	Benämning	Description	Anmärkning Notes
1	1	118399063/0	Koppling	Clutch	
2	1	12737320/0	Skruv	Screw	
3	1	12543000/0	Bricka	Washer	
4	1	22430216/0	Fjäder	Spring	
5	1	25601567/0	Remskiva	Pulley	
6	1	25160021/0	Distans	Spacer	
7	1	82318217/0	Spak	Lever	
8	1	12691115/0	Skruv	Left Screw	
9	1	12523060/0	Bricka	Washer	
10	1	27670055/0	Bricka	Washer	
11	1	25510087/0	Stift	Pin	
12	1	12523060/0	Bricka	Washer	
13	1	12155000/0	Mutter	Nut	
14	1	25601554/0	Remskiva	Pulley	
15	1	12523060/0	Bricka	Washer	
16	1	12155000/0	Mutter	Nut	
17	1	25430260/0	Fjäder	Spring	
18	1	25755049/0	Fästvinkel	Bracket	
19	1	25840005/0	Stång	Tie Rod	
20	2	12293200/0	Mutter	Nut	
21	1	12818690/0	Skruv	Screw	
22	1	12293201/0	Mutter	Nut	
23	1	82820013/0	Tie Rod Ass.Y	Tie Rod Ass.Y	
24	1	12155000/0	Mutter	Nut	
25	1	25510063/0	Stift	Pin	
26	2	25670011/0	Bricka	Washer	
27	1	12155000/0	Mutter	Nut	
28	1	12521350/0	Bricka	Washer	
29	1	12604899/0	Låsbricka	Crown Fastener	
30	1	35062012/0	Drivrem	Belt	
31	1	19410610/0	Brytare	Microswitch	
32	1	25065026/0	Kabel	Cables Ass.Y	
41	1	125510100/0	Stift	Pin	
42	1	12691800/0	Skruv	Screw	
43	1	25601555/0	Remskiva	Pulley	
44	1	12523060/0	Bricka	Washer	
45	1	12155000/0	Mutter	Nut	
46	1	125160014/1	Distans	Right Spacer	
47	1	125160018/1	Distans	Left Spacer	
48	1	12691200/0	Skruv	Right Screw	
49	1	12691100/0	Skruv	Left Screw	
50	2	125601588/0	Remskiva	Pulley	
51	2	22671653/0	Bricka	Washer	
52	2	12155000/0	Mutter	Nut	
53	1	18400912/0	Rear Axle Dana 4360 211	Rear Axle (Dana 4360 211)	
54	4	12691900/0	Skruv	Screw (Dana)	
55	4	12154210/0	Mutter	Nut	
56	2	25774247/0	Fäste	Clamp	
57	2	12735150/0	Skruv	Screw	
58	2	12792611/0	Skruv	Screw	
59	2	12293201/0	Mutter	Nut	
60	1	82601509/0	Remskiva	Pulley	
61	1	12139430/0	Kil	Key	
62	1	12608950/0	Låsring	Seeger	
63	1	25270321/0	Remstyrning	Belt Guide	
64	2	12523040/0	Bricka	Washer	
65	2	12292102/0	Mutter	Nut	
66	2	25160034/0	Distans	Washer	
67	4	12521410/0	Bricka	Washer	
71	2	25580030/0	Remstyrning	Belt Guide	
72	2	12523060/0	Bricka	Washer	
73	2	12360425/0	Mutter	Nut	

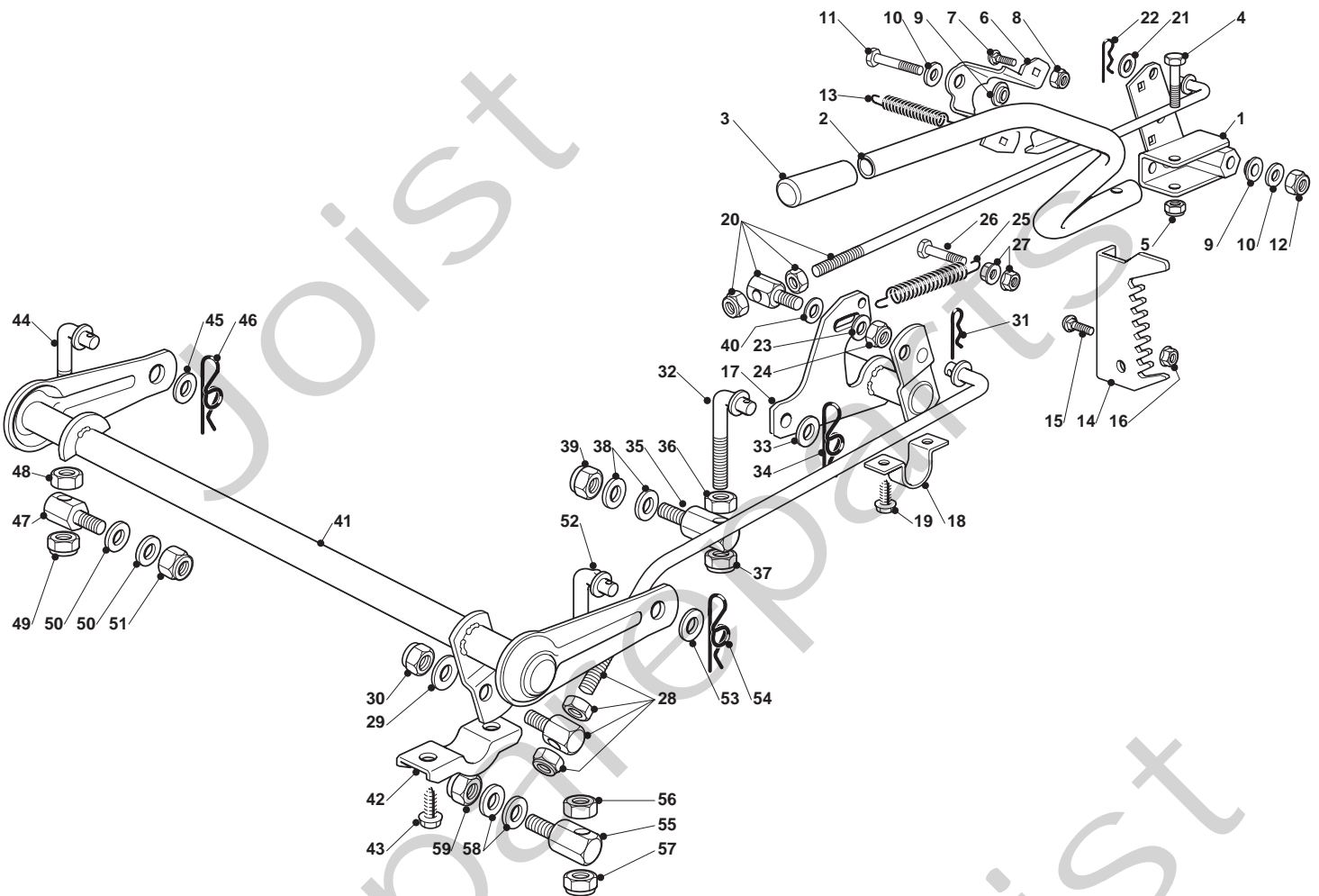


Pos. Fig.	Antal Quantity	Art No Part No	Benämning	Description	Anmärkning Notes
1	1	F000 5962 AC	Housing, Upper	Housing, Upper	
2	16	F000 1919 00	Screw, Tapping, 43922 X .734	Screw, Tapping, 43922 X .734	
3	2	F000 5947 00	Ball, Detent	Ball, Detent	
4	2	F000 5948 00	Spring, Detent	Spring, Detent	
5	1	F000 5950 00	Cover, Detent	Cover, Detent	
6	1	F084 0052 00	Screw, Tapping, No. 45566 X .482	Screw, Tapping, No. 45566 X .482	
7	1	F000 7010 00	V Ring	V Ring	
8	1	F000 6517 00	Assy, Kit, Shifter	Assy, Kit, Shifter	
9	1	F000 1106 00	Ring, Retaining	Ring, Retaining	
10	4	F000 4689 00	Assy, Kit, Shim, .625Shaft	Assy, Kit, Shim, .625Shaft	
11	3	F000 3876 00	Washer, Plain, .632 X1.38 X .046	Washer, Plain, .632 X1.38 X .046	
12	1	F000 1746 00	Key, Woodruff, No. 606	Key, Woodruff, No. 606	
13	1	F000 6595 00	Assy, Kit, Input Shaft	Assy, Kit, Input Shaft	
14	1	F000 5620 00	Pinion, Bevel, 12T	Pinion, Bevel, 12T	
15	1	F000 3624 00	Ring, Retaining	Ring, Retaining	
16	1	F000 3625 00	Chain, 24 Pitches	Chain, 24 Pitches	
17	3	F000 5510 00	Bearing, Flange	Bearing, Flange	
18	1	F000 5627 00	Gear, Spur, 12T	Gear, Spur, 12T	
19	1	F000 5303 00	Collar, Clutch	Collar, Clutch	
20	1	F000 4758 00	Assy, Kit, Clutch Keys	Assy, Kit, Clutch Keys	
21	1	F000 5737 00	Shaft, Intermediate	Shaft, Intermediate	
22	1	F000 1375 00	Key, Woodruff, No. 61	Key, Woodruff, No. 61	
23	1	F000 3627 00	Ring, Retaining	Ring, Retaining	
24	1	F000 3830 00	Sprocket, 18T	Sprocket, 18T	
25	1	F000 3841 00	Spacer, 1.131 X 1.45 X.494	Spacer, 1.131 X 1.45 X.494	
26	1	F000 5365 00	Gear, Spur, 37T	Gear, Spur, 37T	
27	1	F000 3867 00	Gear, Spur, 30T	Gear, Spur, 30T	
28	1	F000 5014 00	Gear, Spur, 27T	Gear, Spur, 27T	
29	1	F000 3783 00	Gear, Spur, 25T	Gear, Spur, 25T	
30	1	F000 5202 00	Gear, Spur, 19T	Gear, Spur, 19T	
31	1	F000 5027 00	Spacer, 1.133 X 1.50 X.375	Spacer, 1.133 X 1.50 X.375	
32	1	F000 3628 00	Washer, Plain, .640 X1.37 X .061	Washer, Plain, .640 X1.37 X .061	
33	1	F000 5511 00	Bearing, Flange	Bearing, Flange	
34	1	F000 5508 00	Seal, Oil	Seal, Oil	
35	1	F000 1425 00	Washer, Plain, .632 X1.00 X .046	Washer, Plain, .632 X1.00 X .046	
36	1	F000 6358 00	Assy, Gear, Comb., 12T& 30T	Assy, Gear, Comb., 12T& 30T	
37	1	F000 3967 00	Shaft, Idler	Shaft, Idler	
38	1	F000 7003 00	Gear, Bevel, 36T	Gear, Bevel, 36T	
39	1	F000 3630 00	Spacer, .781 X 1.00 X.281	Spacer, .781 X 1.00 X.281	
40	1	F000 3645 00	Sprocket, 9T	Sprocket, 9T	
41	1	F000 5016 00	Spacer, .781 X 1.00 X.494	Spacer, .781 X 1.00 X.494	
42	1	F000 5015 00	Shaft, Drive	Shaft, Drive	
43	1	F000 5364 00	Gear, Spur, 12T	Gear, Spur, 12T	
44	1	F000 3866 00	Gear, Spur, 20T	Gear, Spur, 20T	
45	1	F000 5013 00	Gear, Spur, 23T	Gear, Spur, 23T	
46	1	F000 3719 00	Gear, Spur, 25T	Gear, Spur, 25T	
47	1	F000 3683 00	Gear, Spur, 31T	Gear, Spur, 31T	
48	1	F000 3714 00	Spacer, .781 X 1.00 X.375	Spacer, .781 X 1.00 X.375	
49	1	F000 1145 00	Washer, Plain, .632 X1.00 X .060	Washer, Plain, .632 X1.00 X .060	
50	2	F000 5130 00	Washer, Neoprene	Washer, Neoprene	
51	2	F000 3184 00	Washer, Plain, .758 X1.25 X .031	Washer, Plain, .758 X1.25 X .031	
52	1	F000 7070 10	Axle, Lh	Axle, Lh	
53	2	F000 5622 00	Gear, Miter, 12T, Splined	Gear, Miter, 12T, Splined	
54	2	F000 5270 00	Ring, Retaining	Ring, Retaining	
55	1	F000 3839 00	Gear, Spur, 32T	Gear, Spur, 32T	
56	1	F000 3919 00	Shaft, Cross	Shaft, Cross	
57	2	F000 5623 00	Gear, Miter, 12T, Idler	Gear, Miter, 12T, Idler	
58	1	F000 7070 20	Axle, Rh	Axle, Rh	
59	1	F000 4691 00	Assy, Kit, Shim, .750Shaft	Assy, Kit, Shim, .750Shaft	
60	1	F000 5304 R0	Housing, Lower	Housing, Lower	
61	2	F000 7109 00	Puck, Friction	Puck, Friction	
62	1	F000 5960 00	Disc, Brake	Disc, Brake	
63	1	F000 3758 00	Spacer, Brake Puck	Spacer, Brake Puck	
64	1	F000 5554 00	Jaw, Brake	Jaw, Brake	
65	2	F000 3843 00	Drev	Pin, Dowel	
66	1	F000 7026 00	Spak	Lever, Actuating	



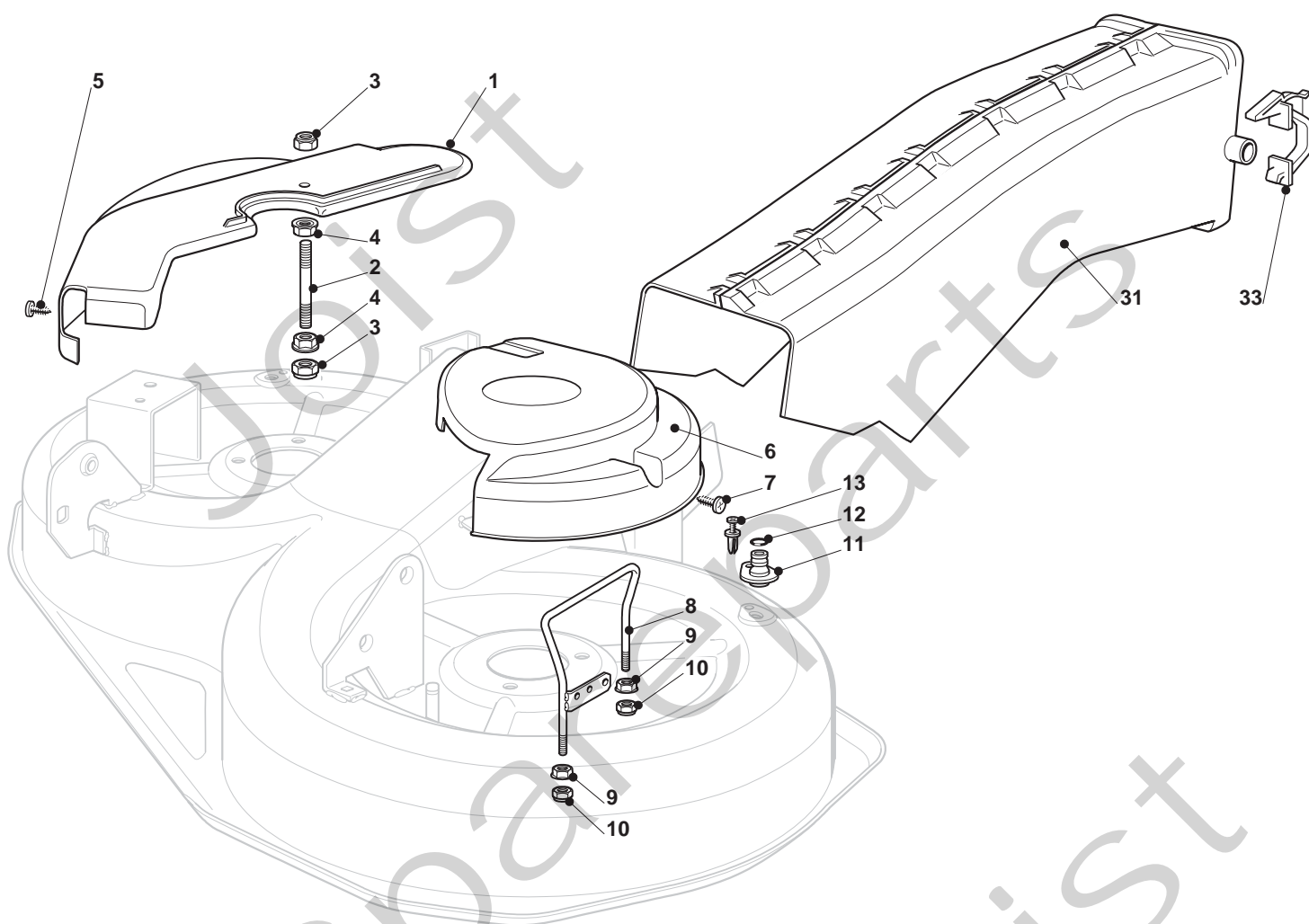


Pos. Fig.	Antal Quantity	Art No Part No	Benämning	Description	Anmärkning Notes
67	1	F000 3760 00	Washer, Plain, .321 X1.00 X .055	Washer, Plain, .321 X1.00 X .055	
68	1	F000 5555 00	Bussning	Bracket, Anti Rotation	
69	2	F000 5562 00	Screw, Tapping, 5/16 18 X 2.35	Screw, Tapping, 5/16 18 X 2.35	
70	1	F000 3847 00	Nut, Lock, 5/16 24	Nut, Lock, 5/16 24	
71	1	19410610/0	Brytare	Microswitch	
72	1	F000 4300 00	Grease	Grease	





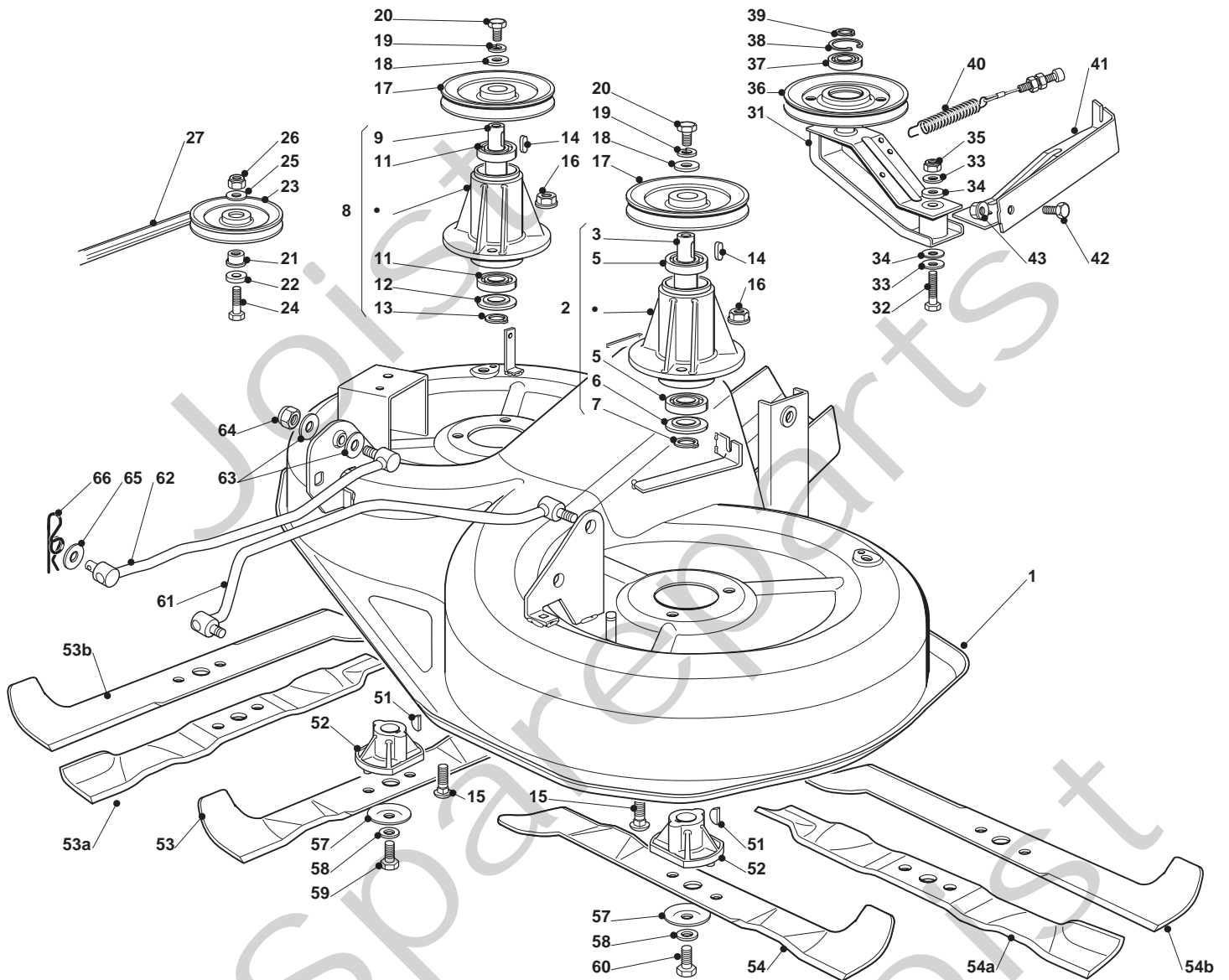
Pos. Fig.	Antal Quantity	Art No Part No	Benämning	Description	Anmärkning Notes
1	1	82774249/0	Fäste	Clamp	
2	1	382318219/1	Spak	Lever	
3	1	25394508/0	Handtag	Handle	
4	1	12674700/0	Skruv	Screw	
5	1	12154510/0	Mutter	Nut	
6	1	25650113/0	Trombocyt	Plate	
7	2	12818690/0	Skruv	Screw	
8	2	12155000/0	Mutter	Nut	
9	2	22041980/0	Distans	Spacer	
10	2	12523060/0	Bricka	Washer	
11	1	12691600/0	Skruv	Screw	
12	1	12155000/0	Mutter	Nut	
13	1	25430259/0	Fjäder	Spring	
14	1	25735511/0	Sector	Sector	
15	2	12818690/0	Skruv	Screw	
16	2	12293201/0	Mutter	Nut	
17	1	82000387/0	Axel	Axle	
18	2	325547041/1	Trombocyt	Plate	
19	4	12731580/0	Skruv	Screw	
20	1	382000618/0	Länk	Rod	
21	1	25670011/0	Bricka	Washer	
22	1	24487998/0	Låsnål	Cotter Pin	
23	1	12523040/0	Bricka	Washer	
24	1	12154210/0	Mutter	Nut	
25	1	22446402/0	Fjäder	Spring	
26	1	12792410/0	Skruv	Screw	
27	2	12292102/0	Mutter	Nut	
28	1	82000537/0	Vevstake	Connecting Rod	
29	2	25670008/1	Bricka	Washer	
30	1	12156602/0	Mutter	Nut	
31	1	24487998/0	Låsnål	Cotter Pin	
32	1	25840025/0	Stång	Tie Rod	
33	1	25670008/1	Bricka	Washer	
34	1	24487998/0	Låsnål	Cotter Pin	
35	1	25510090/0	Stift	Pin	
36	1	12295200/0	Mutter	Nut	
37	1	12156602/0	Mutter	Nut	
38	2	25670008/1	Bricka	Washer	
39	1	12156602/0	Mutter	Nut	
40	2	12521360/0	Bricka	Washer	
41	1	82000385/0	Axel	Axle	
42	2	27546015/1	Trombocyt	Plate	
43	4	12731350/0	Skruv	Screw	
44	1	25840024/0	Stång	Tie Rod	
45	1	25670008/1	Bricka	Washer	
46	1	24487998/0	Låsnål	Cotter Pin	
47	1	25510098/0	Stift	Pin	
48	1	12295200/0	Mutter	Nut	
49	1	12156602/0	Mutter	Nut	
50	2	25670008/1	Bricka	Washer	
51	1	12156602/0	Mutter	Nut	
52	1	25840025/0	Stång	Tie Rod	
53	1	25670008/1	Bricka	Washer	
54	1	24487998/0	Låsnål	Cotter Pin	
55	1	25510090/0	Stift	Pin	
56	1	12295200/0	Mutter	Nut	
57	1	12156602/0	Mutter	Nut	
58	2	25670008/1	Bricka	Washer	
59	1	12156602/0	Mutter	Nut	





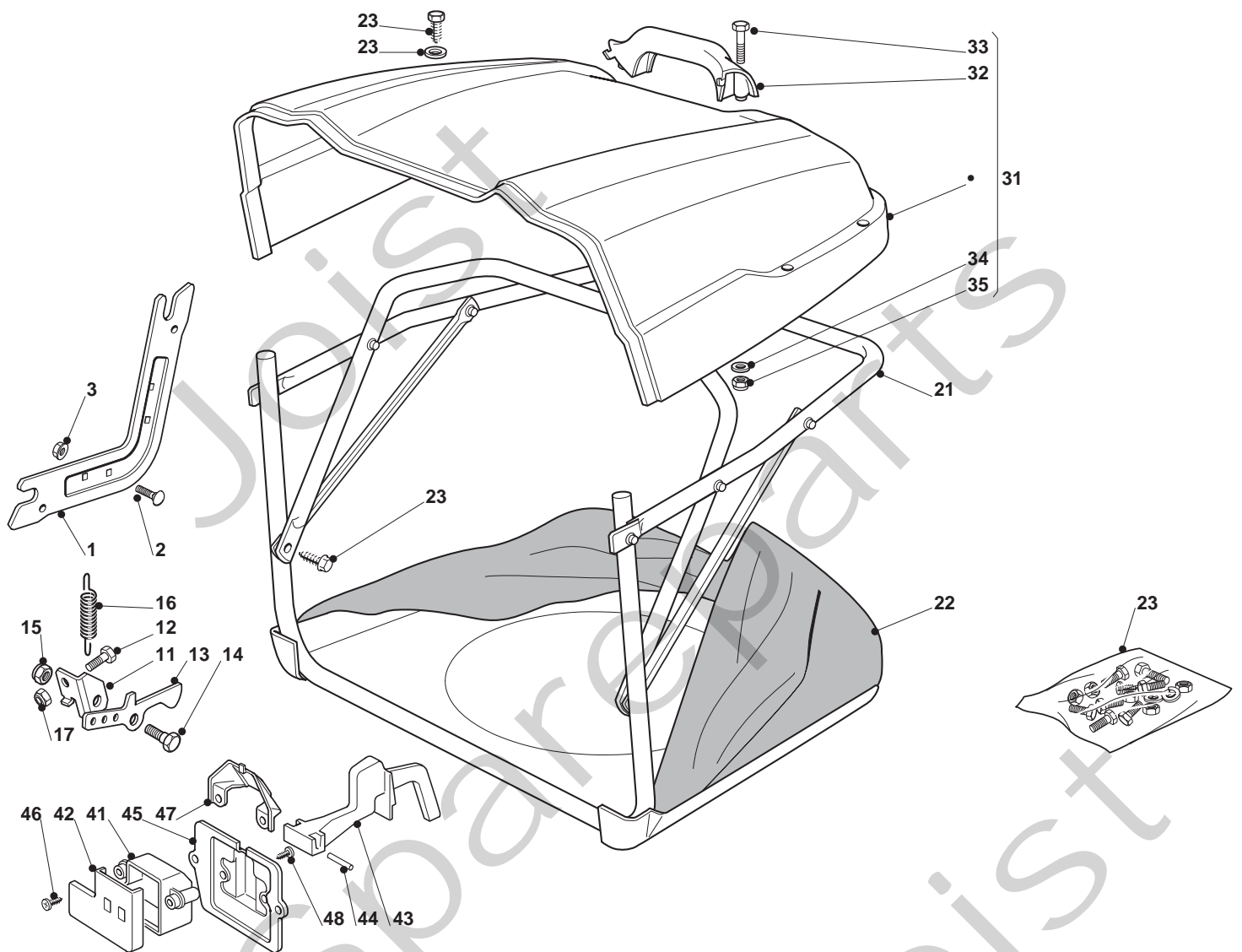
SC 9214

Pos. Fig.	Antal Quantity	Art No Part No	Benämning	Description	Anmärkning Notes
1	1	25060111/0	Hus	Case	
2	1	25580007/0	Stud Screw	Stud Screw	
3	2	12155000/0	Mutter	Nut	
4	2	12293201/0	Mutter	Nut	
5	2	12735110/0	Skruv	Screw	
6	1	25060112/0	Hus	Case	
7	2	12735110/0	Skruv	Screw	
8	1	82270301/0	Remstyrning	Belt Guide	
9	2	12293201/0	Mutter	Nut	
10	2	12155000/0	Mutter	Nut	
11	2	25033060/0	Water Hose Connection	Water Hose Connection	
12	2	19035000/0	O ring	Or Ring	
13	2	12500030/0	Rivet	Rivet	
31	1	382108008/0	Inmatningstratt	Conveyor	
33	2	25774373/0	Fäste	Clamp	



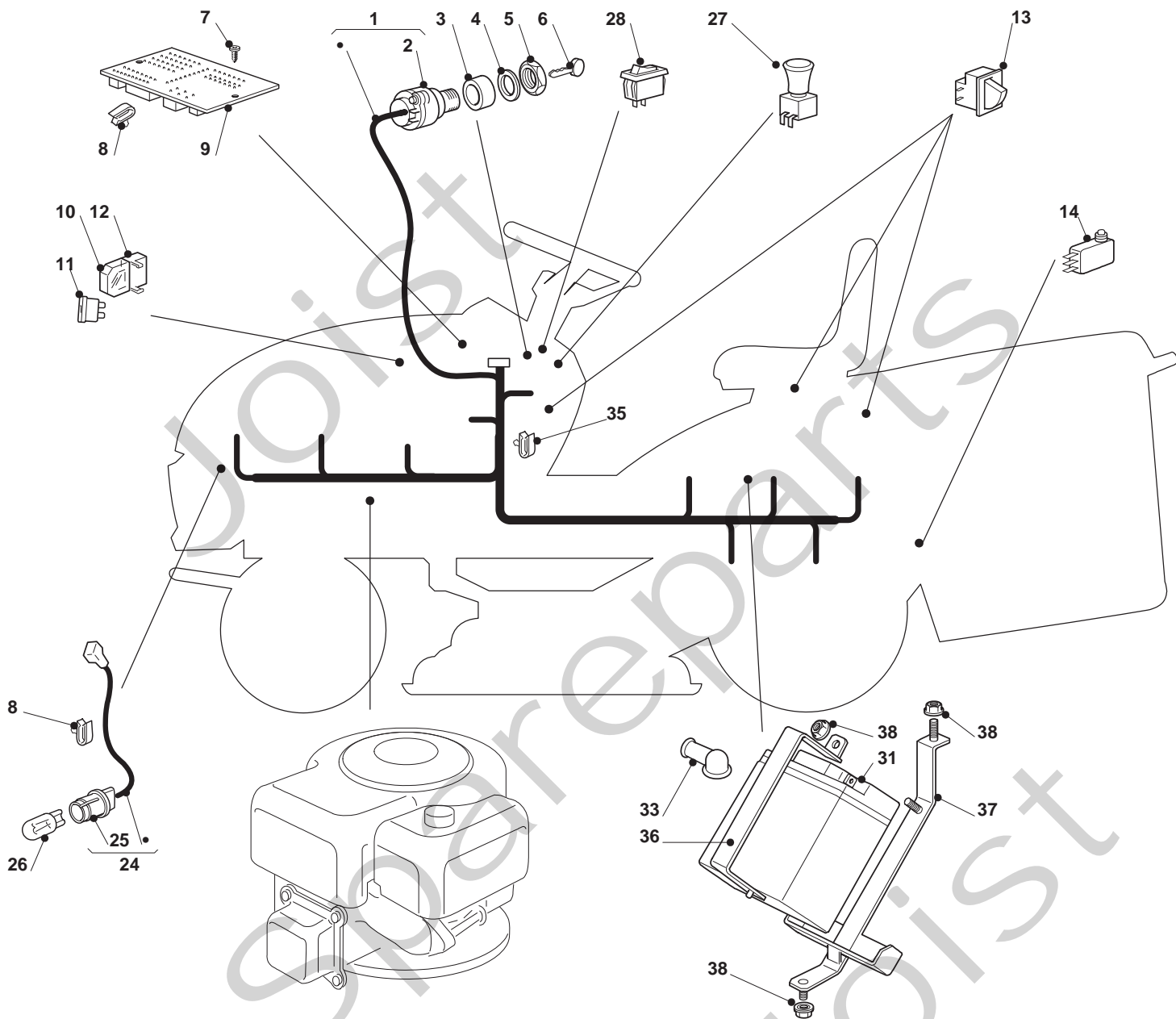


Pos. Fig.	Antal Quantity	Art No Part No	Benämning	Description	Anmärkning Notes
1	1	82564075/0	Plate	Plate, Black	
2	1	82207202/0	Fläns	Left Flange Ass.Y	
3	1	25020802/0	Vevaxel	Shaft	
5	2	119216047/0	Kullager	Bearing	
6	1	25160501/0	Dammskydd	Dust Cover	
7	1	12609260/0	Seeger	Seeger	
8	1	82207203/0	Fläns	Right Flange Ass.Y	
9	1	25020803/0	Vevaxel	Shaft	
11	2	119216047/0	Kullager	Bearing	
12	1	25160501/0	Dammskydd	Dust Cover	
13	1	12609260/0	Seeger	Seeger	
14	2	12139480/0	Kil	Feather	
15	6	12818700/0	Skruv	Screw	
16	6	12154210/0	Mutter	Nut	
17	2	25601563/0	Remskiva	Pulley	
18	2	25670007/0	Bricka	Washer	
19	2	12583500/0	Bricka	Grower	
20	2	12793102/0	Skruv	Screw	
21	1	25160007/0	Distans	Spacer	
22	1	25670007/0	Bricka	Washer	
23	1	25601555/0	Remskiva	Pulley	
24	1	12691115/0	Skruv	Left Screw	
25	1	12523060/0	Bricka	Washer	
26	1	12155000/0	Mutter	Nut	
27	1	35065701/0	Drivrem	Belt	
31	1	82318141/2	Spak	Lever	
32	1	12691700/0	Skruv	Screw	
33	2	12523070/0	Bricka	Washer	
34	2	22672152/0	Bricka	Washer	
35	1	12155000/0	Mutter	Nut	
36	1	25601564/0	Remskiva	Pulley	
37	1	119216048/0	Kullager	Bearing	
38	1	12610800/0	Seegerring	Seeger	
39	1	12609200/0	Seegerring	Seeger	
40	1	82004618/0	Kabel	Wire	
41	1	382774215/3	Fäste	Clamp	
42	1	12792611/0	Skruv	Screw	
43	1	12293201/0	Mutter	Nut	
51	2	12139100/0	Kil	Feather, Crankshaft Ø 22.2	
52	2	25463200/0	Knivfäste	Blade Hub	
53b	1	82004345/1	Kniv	Right Blade, Winged	
53	1	82004352/0	Kniv	Right Blade Mulching	
53a	1	82004354/0	Kniv	Right Blade Mulching, Winged	
54	1	81004346/3	Kniv	Blade Standard	
54b	1	82004344/1	Kniv	Left Blade, Winged	
54a	1	82004353/0	Kniv	Left Blade Mulching, Winged	
57	2	22160400/0	Dammskydd	Dust Cover	
58	2	12523080/0	Bricka	Washer	
59	1	12735695/1	Skruv	Screw	
60	1	12735694/0	Skruv	Screw	
61	1	82000535/0	Equalizer Rod	Equalizer Rod	
62	1	82000533/0	Equalizer Rod	Equalizer Rod	
63	4	25670008/1	Bricka	Washer	
64	2	12156602/0	Mutter	Nut	
65	2	25670008/1	Bricka	Washer	
66	2	24487998/0	Låsnål	Cotter Pin	

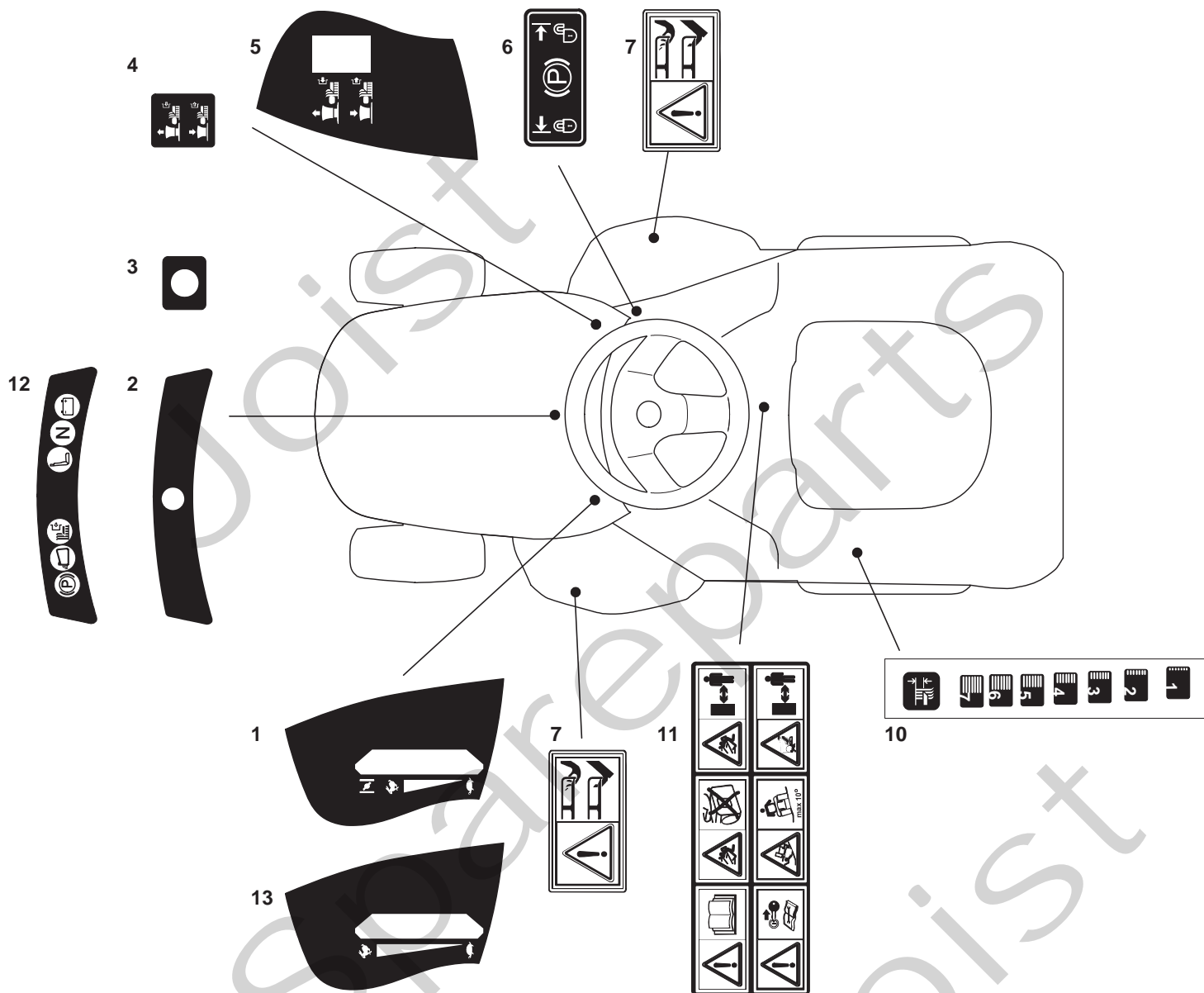




Pos. Fig.	Antal Quantity	Art No Part No	Benämning	Description	Anmärkning Notes
1	2	25785277/0	Stöd	Support	
2	4	12293201/0	Mutter	Nut	
3	4	12818690/0	Skruv	Screw	
11	1	325755031/1	Fäste	Bracket	
12	1	12789000/0	Skruv	Screw	
13	1	325774315/1	Fäste	Bracket	
14	1	125510080/1	Stift	Pin	
15	1	12292102/0	Mutter	Nut	
16	1	22450432/0	Fjäder	Spring	
17	1	12154330/0	Mutter	Nut	
21	1	82800110/0	Chassi	Front Frame	
22	1	82105974/0	Uppsamlare	Grasscatcher	
23	1	82180047/0	Skruvsats	Screws Outfit	
31	1	82110273/0	Kåpa	Grass Catcher Cover, Black	
32	1	27394000/0	Handtag	Handle	
33	2	12789020/0	Skruv	Screw	
34	2	12523020/0	Bricka	Washer	
35	2	12154330/0	Mutter	Nut	
41	1	25600041/0	Skydd	Micro Protection	
42	1	25600042/0	Överbelastningsskydd	Protection Cover	
43	1	25318124/0	Arm	Lever	
44	1	12400030/0	Stift	Pin	
45	1	25785272/0	Knivskydd	Micro Protection	
46	1	12728510/0	Skruv	Screw	
47	1	25600048/0	Överbelastningsskydd	Protection Cover	
48	2	12735110/0	Skruv	Screw	

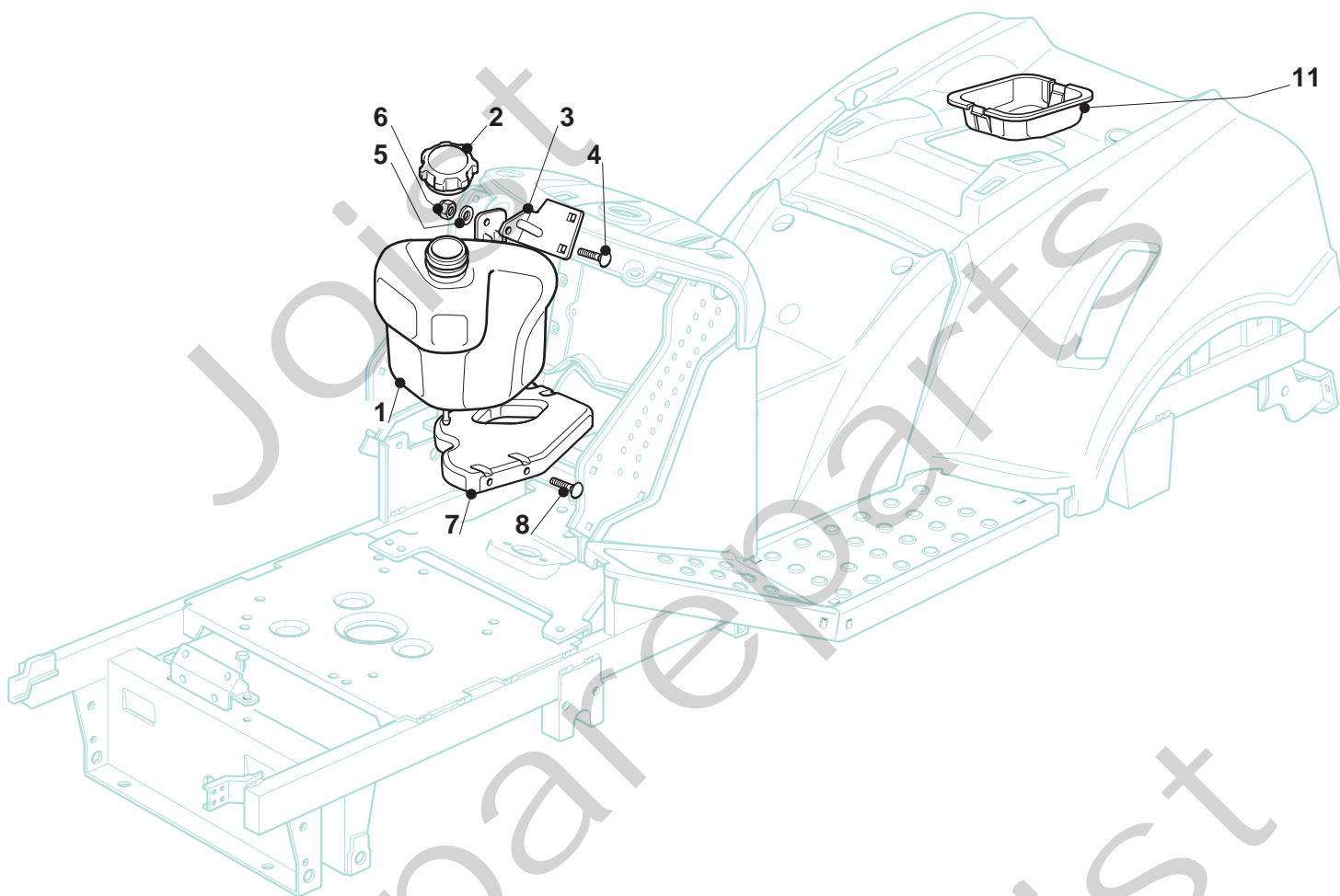


Pos. Fig.	Antal Quantity	Art No Part No	Benämning	Description	Anmärkning Notes
1	1	182040153/0	Kabel	Cables Ass.Y	
2	1	18450072/0	Brytare	Starting Switch	
3	1	18550136/0	Distans	Spacer	
4	1	18550135/0	Bricka	Washer	
5	1	18400862/0	Ringmutter	Ringnut	
6	1	18210022/0	Starting Key	Starting Key	
7	3	12727810/0	Skruv	Screw	
8	2	33320506/0	Kabelhållare	Fairled	
9	1	125722430/1	Elektroniska kort	Electronic Card (1 Led)	
10	2	33215000/0	Kåpa	Cover	
11	1	33340036/0	Säkring	Fuse 25 A	
11	1	33340040/0	Säkring	Fuse 10A	
12	2	33500007/0	Säkring	Fuse Carrier	
13	3	119410615/0	Brytare	Micro	
14	1	19410605/1	Brytare	Full Grasscat. Microsw.	
24	1	82040070/0	Kabel	Cable	
25	2	33500030/0	Lamp Holder	Lamp Holder	
26	2	18459100/0	Farilamp For Lights	Farilamp For Lights	
27	1	18450068/0	Kopplingshus	Clutch Switch	
28	1	18450060/1	Farilamp Switch	Farilamp Switch	
31	1	18120002/1	Batteri	Battery	
33	1	18564861/1	Tätningshylsa	Protection	
35	9	33320506/0	Kabelhållare	Fairled	
36	1	27772099/1	Fäste	Clamp	
37	1	382785191/0	Batteriplatta	Battery Support	
38	3	12155000/0	Mutter	Nut	



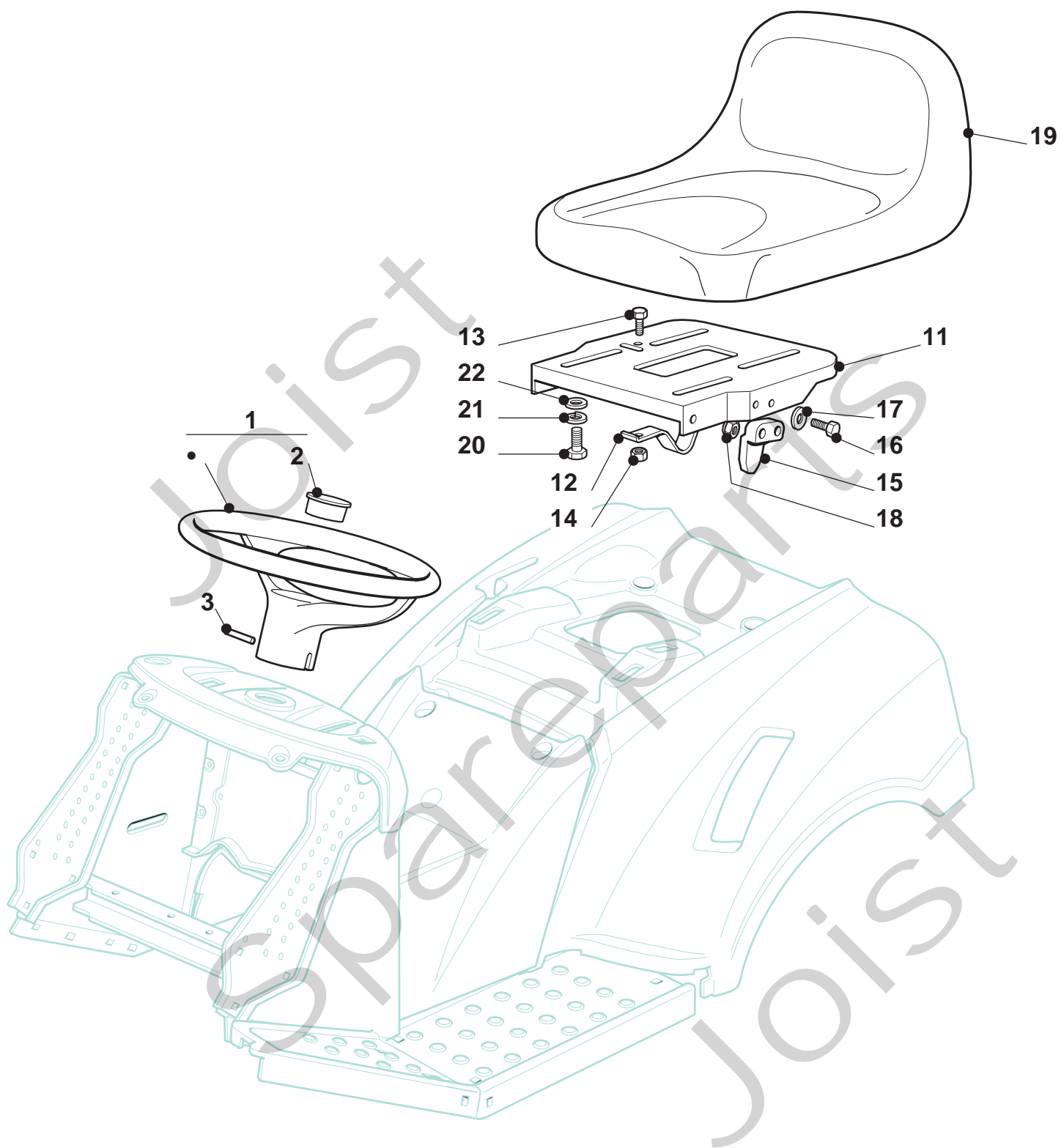


Pos. Fig.	Antal Quantity	Art No Part No	Benämning	Description	Anmärkning Notes
2	1	25420019/0	Dekal	Label	
3	1	25420018/0	Dekal	Label	
4	1	14361438/0	Dekal	Label	
6	1	14361452/0	Dekal	Label	
7	2	114356699/1	Dekal	Label	
10	1	14361441/0	Dekal	Label	
11	1	14361553/0	Dekal	Label	



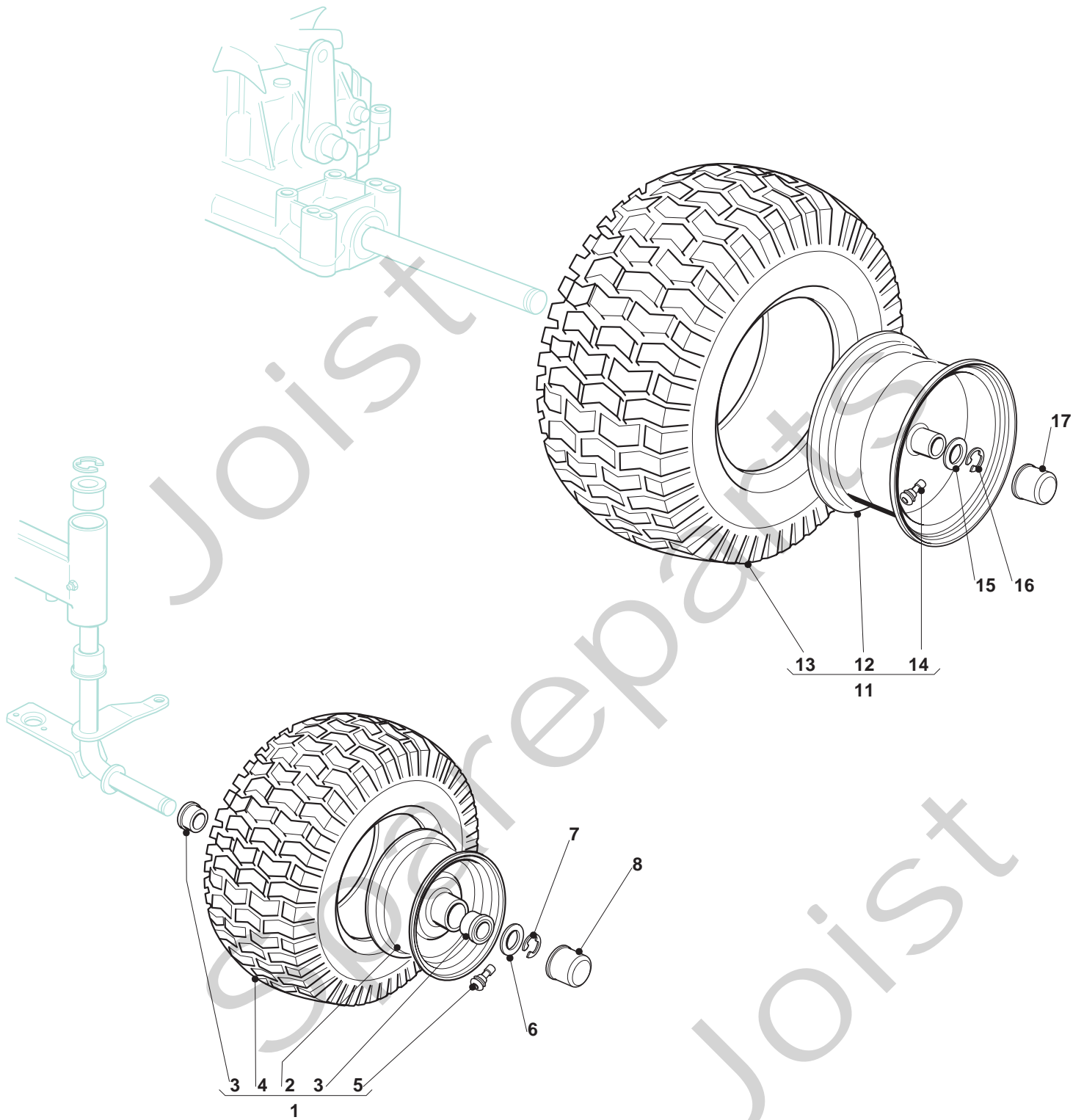


Pos. Fig.	Antal Quantity	Art No Part No	Benämning	Description	Anmärkning Notes
1	1	325735124/0	Tank	Tank	
2	1	25795001/1	Lock	Cap	
3	1	325785291/0	Stöd	Support	
4	1	12789195/0	Skruv	Screw	
5	1	12581500/0	Stift	Grower	
6	1	12437503/0	Trombocyt	Plate	
7	1	325785289/0	Stöd	Support	
8	4	12735403/0	Skruv	Screw	
11	1	325207176/0	Kåpa	Basin	





Pos. Fig.	Antal Quantity	Art No Part No	Benämning	Description	Anmärkning Notes
1	1	25961201/0	Rott	Steering Wheel	
2	1	25120230/0	Lock	Cap	
3	1	12620299/0	Stift	Pin	
11	1	25547033/1	Tavla	Plate	
12	1	25430223/2	Fjäder	Spring	
13	1	12789000/0	Skruv	Screw	
14	1	12154330/0	Mutter	Nut	
15	1	27063021/1	Fäste	Cam	
16	2	12789100/0	Skruv	Screw	
17	2	12523020/0	Bricka	Washer	
18	2	12154330/0	Mutter	Nut	
19	1	125722470/0	Seat	Seat	
20	4	12793101/0	Skruv	Screw	
21	4	12583500/0	Bricka	Grower	
22	4	12523060/0	Bricka	Washer	





SC 9214

Pos. Fig.	Antal Quantity	Art No Part No	Benämning	Description	Anmärkning Notes
1	2	82680005/1	Framhjul Kpl	Front Wheel	
2	2	82000590/1	Rimm	Rimm	
3	4	25122200/2	Kullager	Bearing	
4	2	25590002/0	Dack	Tire	
5	2	25950000/0	Ventil	Valve	
6	2	25670005/1	Bricka	Washer	
7	2	12001000/0	Låsring	Snap Ring	
8	2	22110230/0	Huvstöd	Cap	
11	2	82680006/0	Bakrehjul	Rear Wheel	
12	2	82000592/0	Rimm	Rimm	
13	2	25590003/0	Dack	Tire	
14	2	25950000/0	Ventil	Valve	
15	2	25670005/1	Bricka	Washer	
16	2	12001010/0	Låsring	Benzing	
17	2	22110230/0	Huvstöd	Cap	