

# Genuine Spare Parts

www.stiga.com

ESTATE GRAND TORNADO HST  
ESTATE GRAND TORNADO H HST  
ESTATE GRAND TORNADO Pro HST

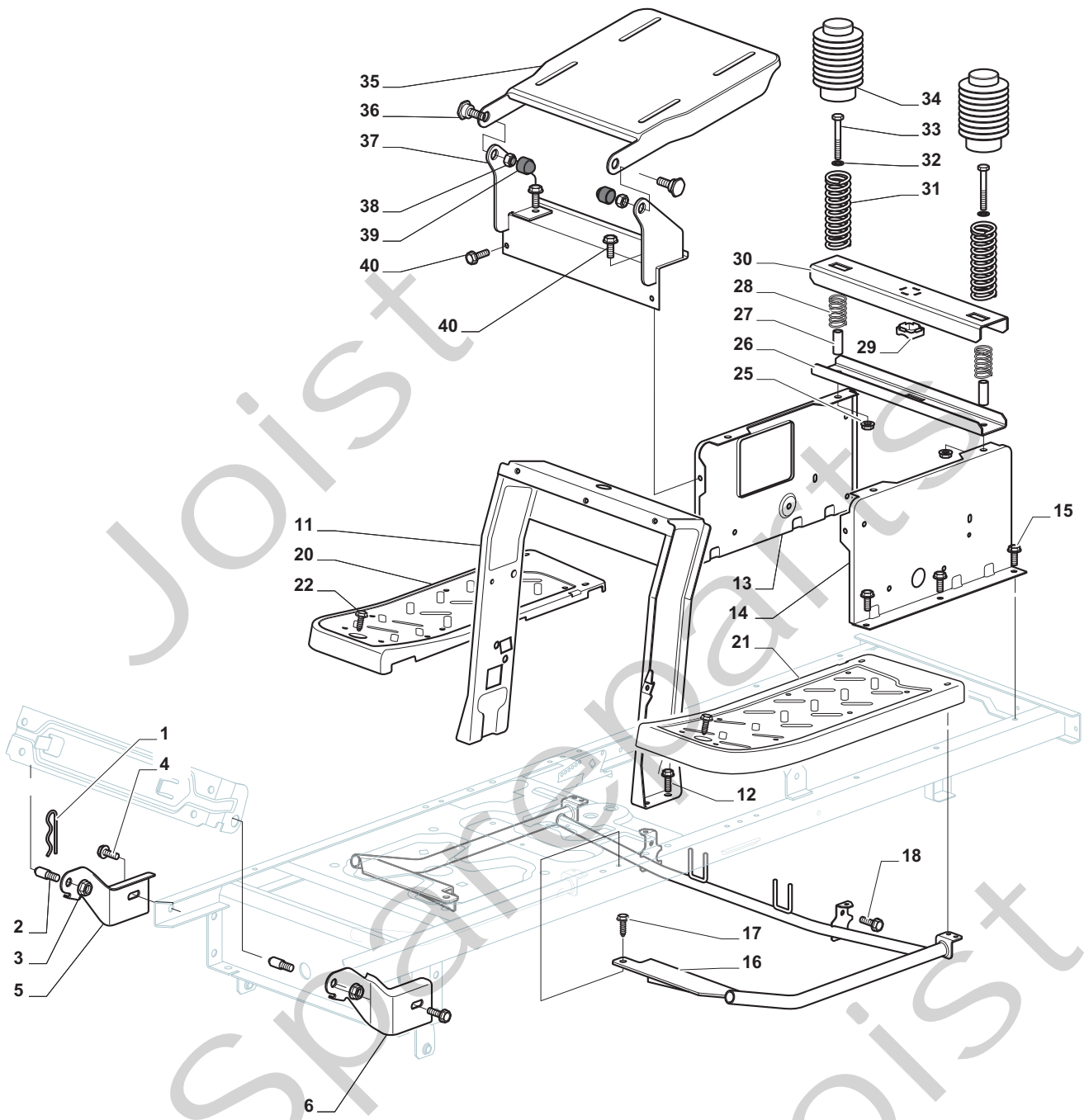
- Use GLOBAL GARDEN PRODUCT Genuine Spare Parts specified in the parts list for repair and/or replacement.
- The contents described in the parts list may change due to improvement.
- The drawings of the spare parts are only indicative and might not represent the part in question exactly.
- The indications "right" - "left" - "front" - "rear" refer to the position of the operator when using the machine.
- When placing orders of parts for repair and/or replacement, make sure that the illustrated parts list is the one applying to the machine's year of manufacture, as shown on the identification plate attached to the machine.

© Copyright 2012 Global Garden Products

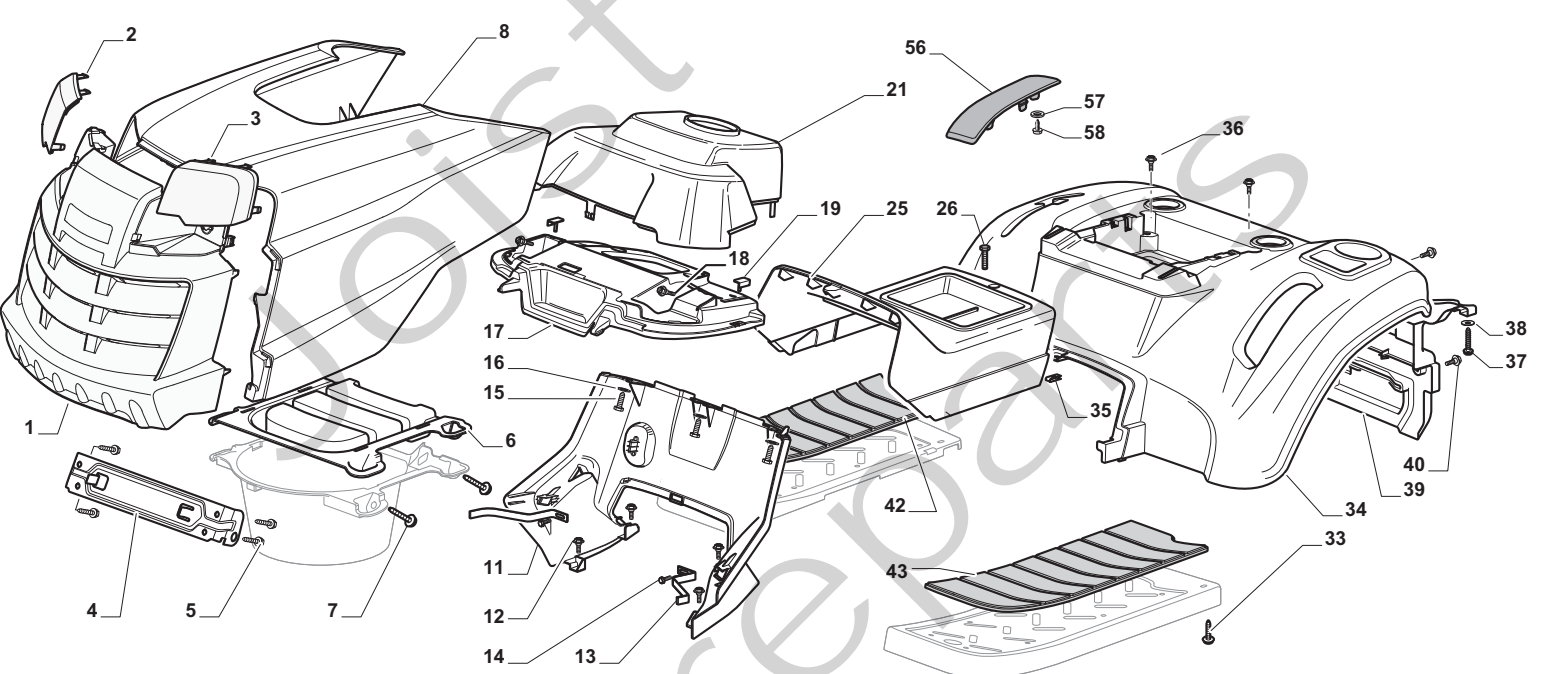
All content is subject to copyright by Global Garden Products and may not be reproduced in whole or in part by any means, electronic or otherwise, without prior written approval.

THIS INFORMATION IS NOT INTENDED FOR SALE OR RESALE, AND THIS NOTICE MUST REMAIN ON ALL COPIES.

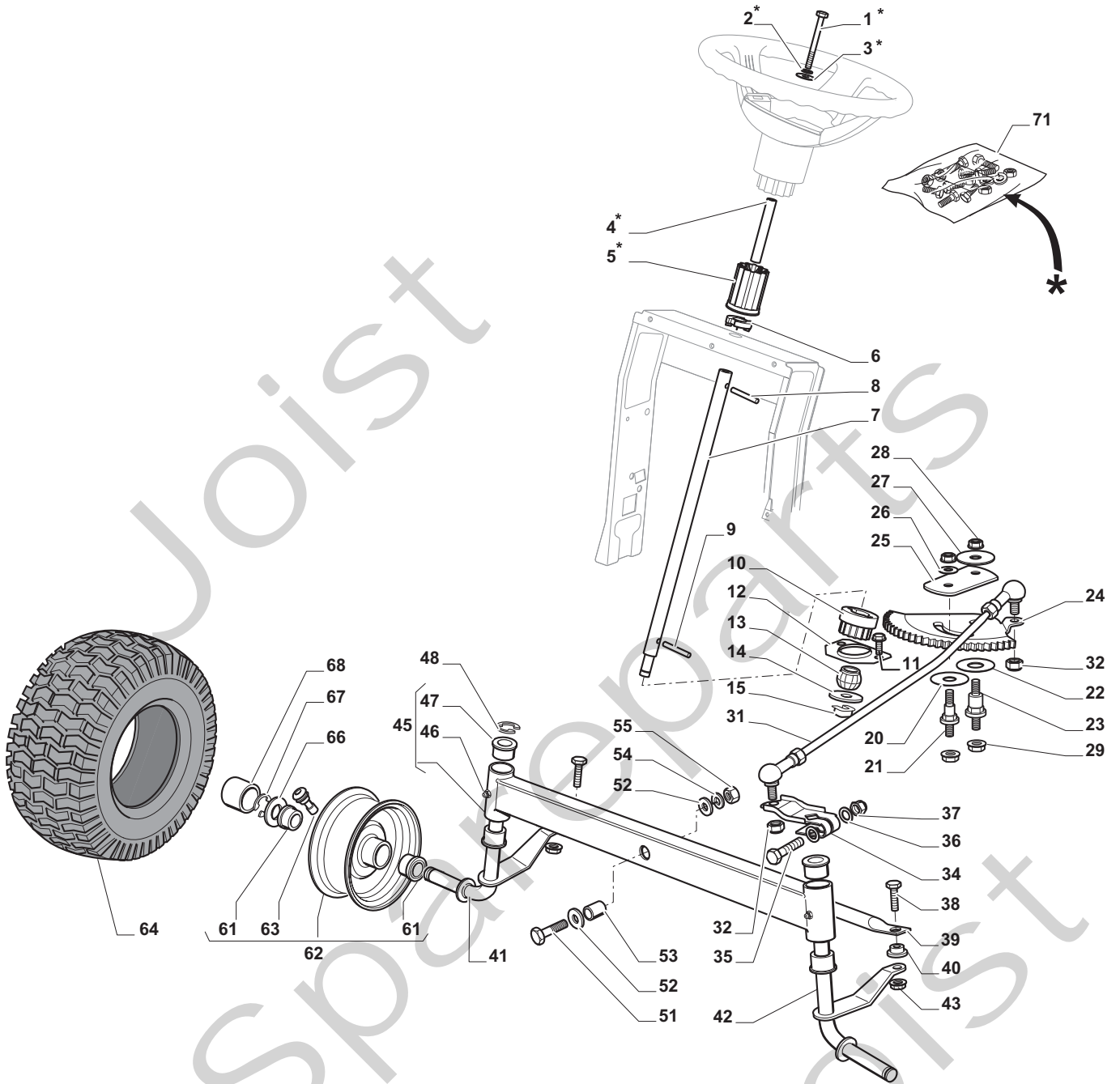
**STIGA**®



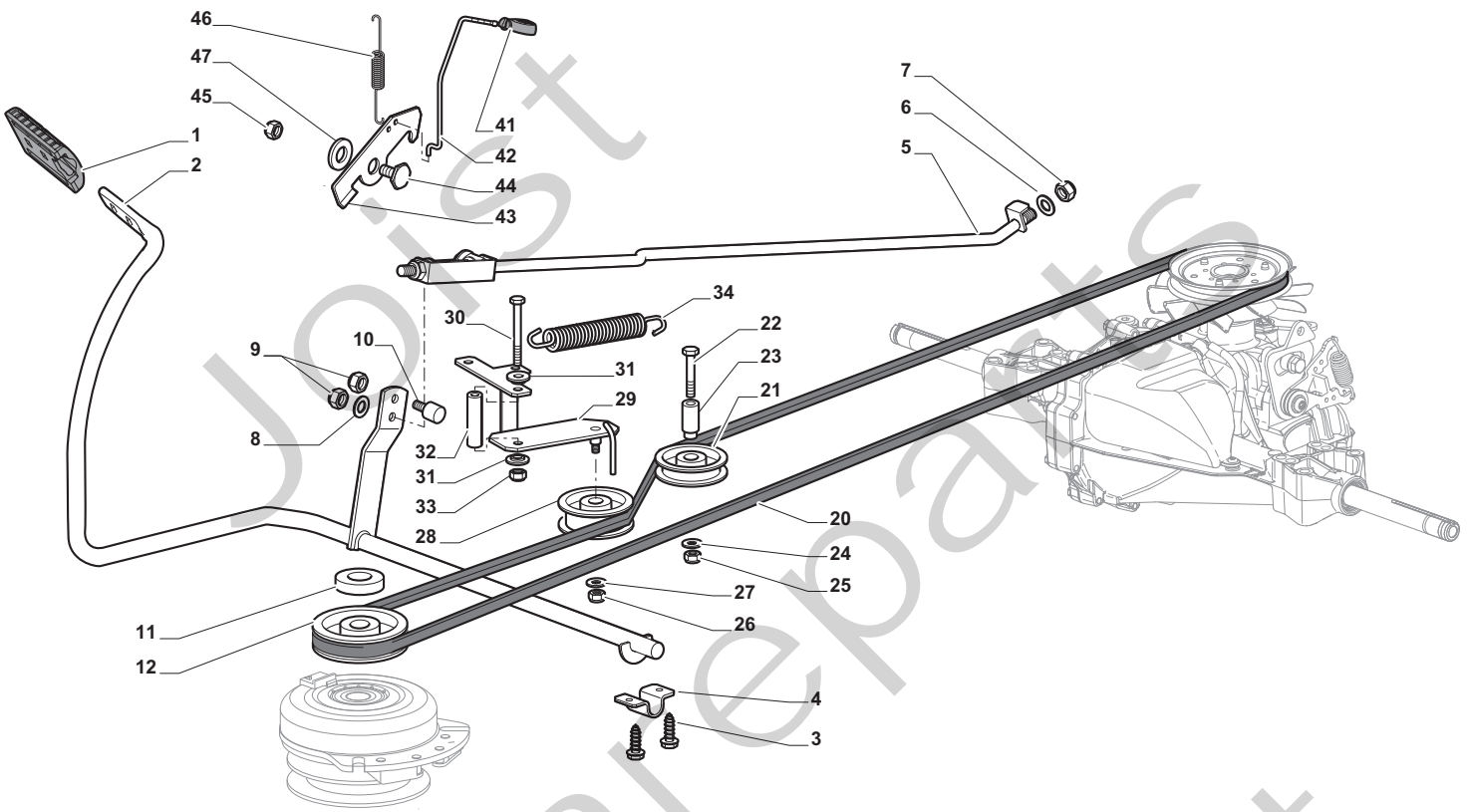
Chassis				
POSITION	CODE	Q.TY	DESCRIPTION	NOTES
1	24487998/0	1	Cotter Pin	
2	25510079/0	2	Pin	
3	12154210/0	2	Nut	
4	12735599/0	2	Screw	
5	325547225/0	1	Right Plate	
6	325547227/0	1	Left Plate	
11	382785169/1	1	Steering Column Support	
12	125943009/0	4	Screw	
13	325785331/1	1	Right Seat Support	
14	325785333/1	1	Left Seat Support	
15	125943009/0	6	Screw	
16	382785179/0	1	Footboard Support	
17	125943009/0	2	Screw	
18	125943009/0	2	Screw	
20	325500041/1	1	Right Footboard	
21	325500043/1	1	Left Footboard	
22	12735599/0	2	Screw	
25	12293201/0	2	Nut	
26	325820109/1	1	Seat Support	
27	125160048/0	2	Spacer	
28	125430263/0	2	Spring	
29	325060038/0	1	Cam	
30	325820105/1	1	Support	
31	125430264/0	2	Spring	
32	12521350/0	2	Washer	
33	12691400/0	2	Screw	
34	325122002/0	2	Hood	
35	382547061/0	1	Plate	
36	22524970/2	2	Pin	
37	382820151/0	1	Seat Support	
38	12155010/0	2	Nut	
39	118203854/0	2	Protection	
40	125943009/0	4	Screw	



Body				
POSITION	CODE	Q.TY	DESCRIPTION	NOTES
1	325076914/0	1	Hood, Front,Grey	
2	325410903/0	1	Right Grill	
3	325410904/0	1	Left Grill	
4	325785365/0	1	Engine Hood Support	
5	12735403/0	4	Screw	
6	325263302/1	1	Air Intake Grill	
7	112728692/0	4	Screw	
8	325076912/0	1	Engine Hood Yellow	
11	325785298/0	1	Dashboard Support	
12	125943010/0	4	Screw	
13	325270325/0	2	Guide	
14	12735599/0	2	Screw	
15	112735406/0	3	Screw	
16	12523040/0	3	Washer	
17	325120202/1	1	Dashboard	
18	125943010/0	2	Screw	
19	325260003/0	2	Grommet	
21	325120203/0	1	Cover	
25	325110396/1	1	Cover, Yellow	
26	125943010/0	1	Screw	
33	112735406/0	4	Screw	
34	325110399/0	1	Wheels Cover, Yellow	
35	112437506/0	1	Plate	
36	125943010/0	2	Screw	
37	112735406/0	2	Screw	
38	12523040/0	2	Washer	
39	325547208/1	1	Plate	
40	125943010/0	2	Screw	
42	325110384/0	1	Right Footboardcover	
43	325110385/0	1	Left Footboard Cover	
56	325207190/0	1	Cover	
57	12523050/0	4	Washer	
58	12735403/0	2	Screw	



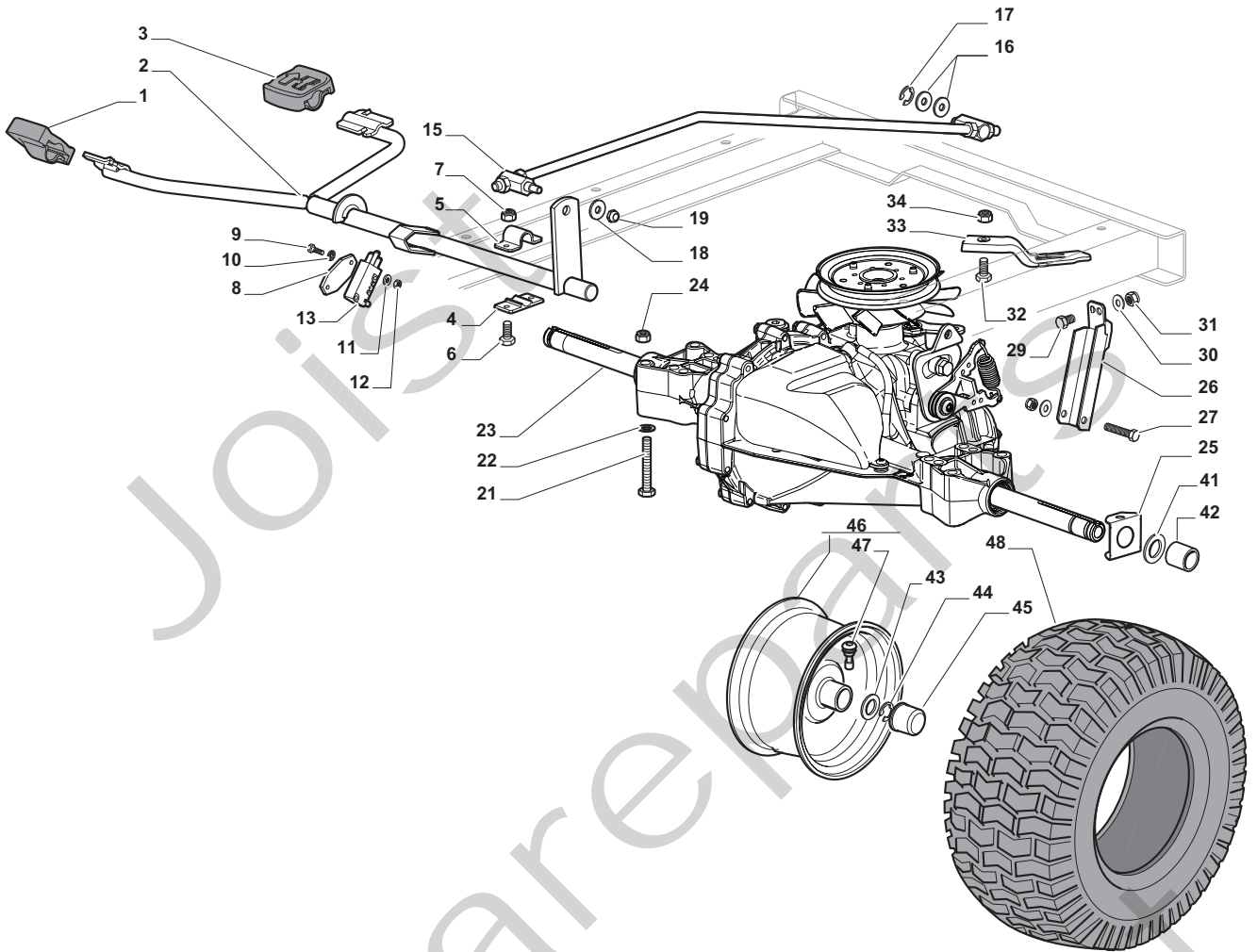
Steering				
POSITION	CODE	Q.TY	DESCRIPTION	NOTES
1	12692050/0	1	Screw	
2	12540260/0	1	Washer	
3	12523070/0	1	Washer	
4	125160047/0	1	Spacer	
5	325785318/0	1	Support	
6	325038008/0	1	Bush	
7	125520007/0	1	Steering Column	
8	112620300/0	1	Pin	
9	12622650/0	1	Pin	
10	125570003/0	1	Pinion	
11	27943051/0	2	Screw	
12	325785213/1	1	Support	
13	25743000/0	1	Joint	
14	12521370/0	1	Washer	
15	12436030/0	1	Plate	
20	22672151/0	1	Washer	
21	125510104/0	1	Pin	
22	125670023/0	1	Washer	
23	125510109/0	1	Pin	
24	325735519/0	1	Steering Shaft	
25	325547233/0	1	Plate	
26	12369500/0	1	Elastic Washer	
27	22160400/0	1	Elastic Washer	
28	12155010/0	2	Nut	
29	12154210/0	2	Nut	
31	382000566/1	1	Steering Rod	
32	12156602/0	2	Nut	
34	325318243/0	1	Lever	
35	12692390/0	1	Screw	
36	12521360/0	2	Washer	
37	12156602/0	1	Nut	
38	125510103/0	2	Pin	
39	325840029/0	1	Tie Rod	
40	325038007/0	2	Bush	
41	382230369/0	1	Right Stub Axle 13 "	
41	382230373/0	1	Right Stub Axle 15"	
42	382230371/0	1	Left Stub Axle 13 "	
42	382230375/0	1	Left Stub Axle 15"	
43	12155000/0	2	Nut	
45	382034030/0	1	Equalizer With Bush And Lubricator	
46	12379511/0	2	Grease Dispenser	
47	25034002/1	4	Bush	
48	12001010/0	1	Snap Ring	
51	12692695/0	1	Screw	
52	12523100/0	2	Washer	
53	25160016/0	1	Spacer	
54	12587100/0	1	Grower	
55	12295300/0	1	Nut	
61	25122200/2	4	Bearing	
62	182000598/0	2	Rimm	
63	25950000/0	2	Valve	
64	125590014/0	2	Tire 13 "	
64	127590066/0	2	Tire 15"	
66	25670005/1	2	Washer	
67	12001010/0	2	Snap Ring	
68	322110233/0	2	Hub Cover	
70	382180124/0	1	Screws Outfit	



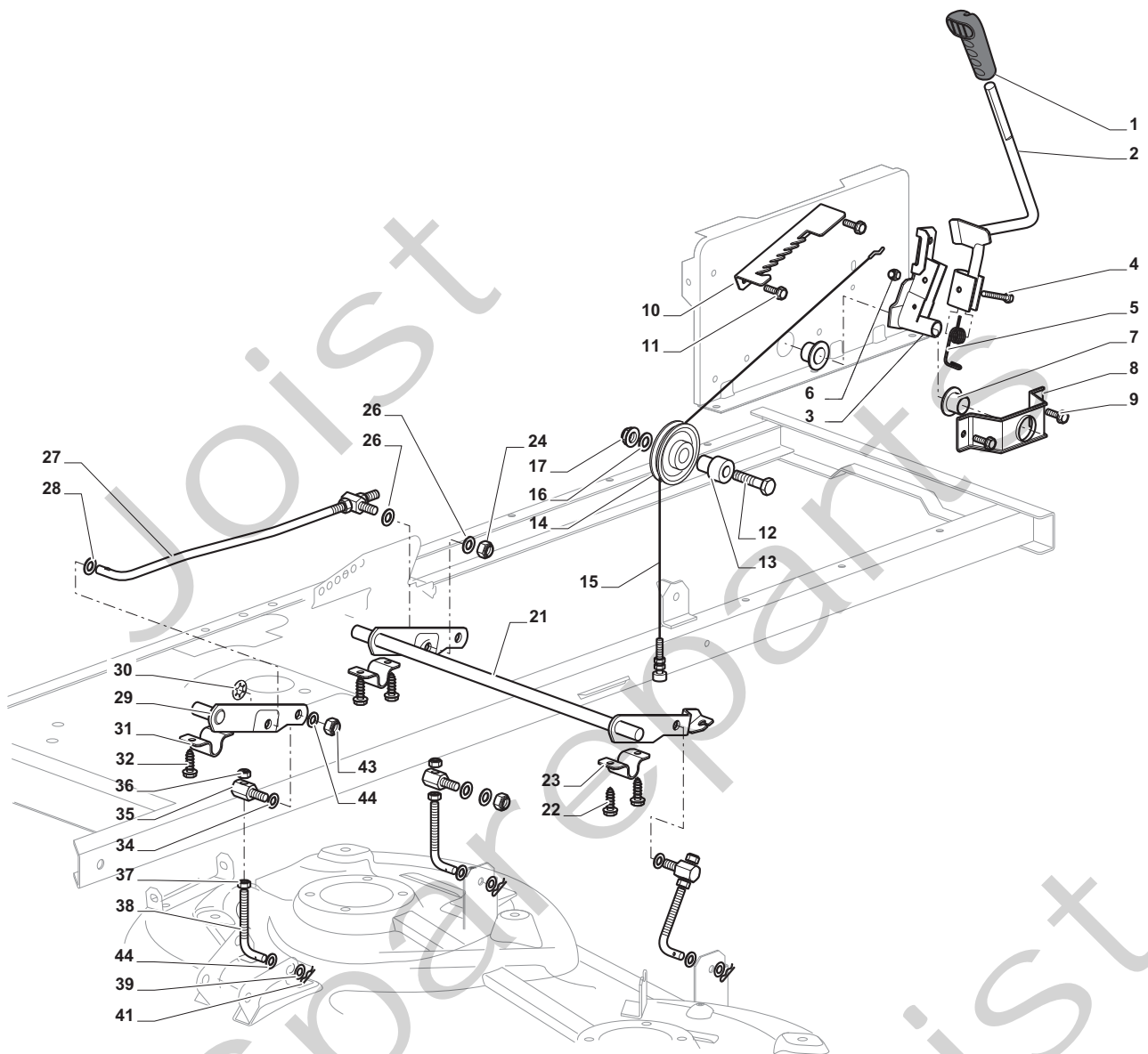


**Brake And Gearbox Controls**

POSITION	CODE	Q.TY	DESCRIPTION	NOTES
1	325110409/0	1	Clamp Cover	
2	382000575/0	1	Pedal	
3	12735599/0	4	Screw	
4	325547231/0	2	Plate	
5	382000576/0	1	Rod	
6	12521360/0	1	Washer	
7	12156602/0	1	Nut	
8	25670011/0	1	Washer	
9	12155000/0	2	Nut	
10	125510116/0	1	Pin	
11	25160021/0	1	Spacer	
12	125601577/0	1	Pulley	
20	135062003/0	1	Belt	
21	25601555/0	1	Pulley	
22	12691400/0	1	Screw	
23	125160051/0	1	Spacer	
24	12523060/0	1	Washer	
25	12155000/0	1	Nut	
26	12155000/0	1	Nut	
27	12523060/0	1	Washer	
28	25601554/0	1	Pulley	
29	382318245/0	1	Lever	
30	12691600/0	1	Screw	
31	25038002/1	2	Bush	
32	25160027/0	1	Spacer	
33	12155000/0	1	Nut	
34	125430262/0	1	Spring	
41	325394534/0	1	Knob	
42	125033083/0	1	Rod	
43	325253011/1	1	Hook	
44	22524970/2	1	Pin	
45	12155000/0	1	Nut	
46	25430213/0	1	Spring	
47	12523060/0	1	Washer	

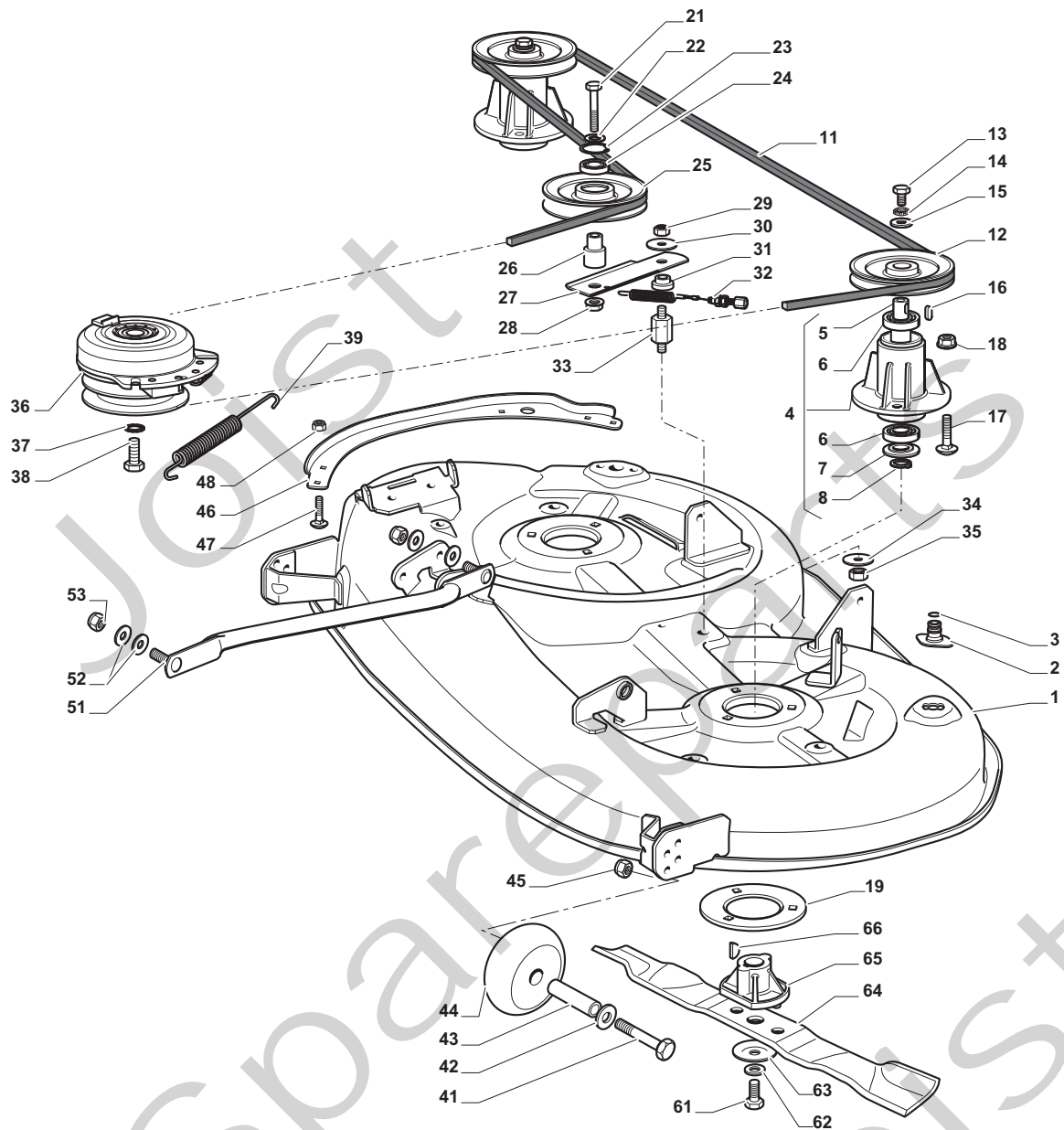


Transmission				
POSITION	CODE	Q.TY	DESCRIPTION	NOTES
1	25110274/0	1	Clamp Cover Front	
2	382000574/0	1	Drive Pedal	
3	25110331/0	1	Clamp Cover Rear	
4	325785350/0	2	Support	
5	325547231/0	2	Plate	
6	12791213/1	4	Screw	
7	12154510/0	4	Nut	
8	27546019/0	1	Plate	
9	12735602/0	2	Screw	
10	12540020/0	2	Washer	
11	12581100/0	2	Grower	
12	12290791/0	2	Nut	
13	19410609/0	1	Microswitch	
15	382000573/1	1	Rod	
16	25670011/0	2	Washer	
17	12000955/0	1	Snap Ring	
18	12523040/0	1	Washer	
19	12154510/0	1	Nut	
21	12691600/0	4	Screw	
22	12521350/0	4	Washer	
23	118400919/2	1	Rear Axle (Hydro-Gear T2-ADBF-2X3C-17X1)	
24	12155000/0	4	Nut	
25	325670026/0	2	Washer	
26	325785349/1	1	Support	
27	12691700/0	1	Screw	
29	12792611/0	1	Screw	
30	12523060/0	2	Washer	
31	12155000/0	2	Nut	
32	12791213/1	1	Screw	
33	325318251/0	1	Lever	
34	12154510/0	1	Nut	
41	25670005/1	2	Washer	
42	125160055/0	2	Spacer	
43	25670005/1	6	Washer	
44	12001010/0	2	Snap Ring	
45	322110233/0	2	Hub Cover	
46	382000597/0	2	Rimm	
47	25950000/0	2	Valve	
48	125590015/0	2	Shoe	



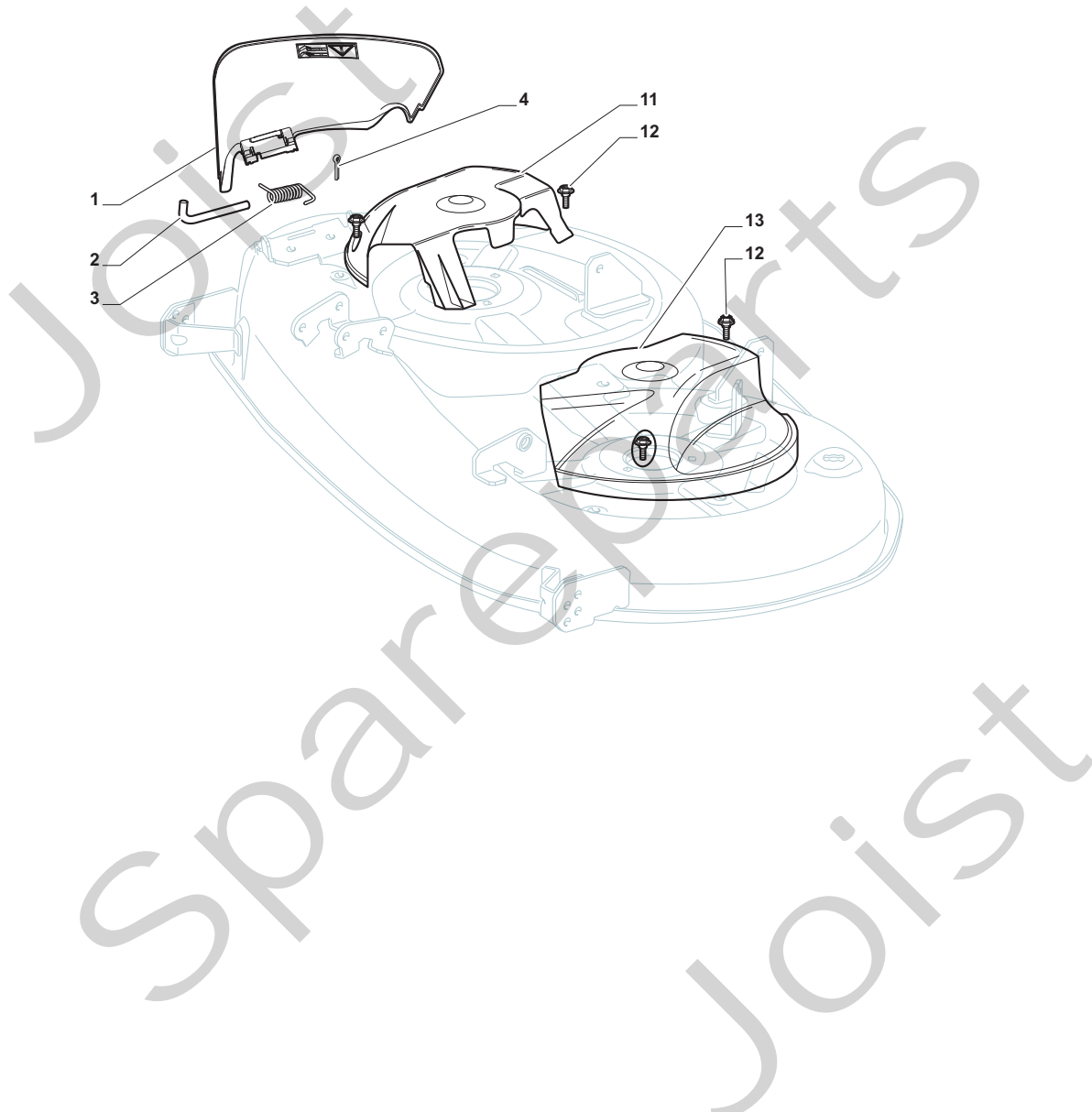
**Cutting Plate Lifting**

POSITION	CODE	Q.TY	DESCRIPTION	NOTES
1	325394533/0	1	Knob	
2	382318229/0	1	Lever	
3	382318231/0	1	Axle	
4	12674700/0	1	Screw	
5	125430261/0	1	Spring	
6	12154510/0	1	Nut	
7	325038006/0	2	Bush	
8	325785297/0	1	Support	
9	125943009/0	2	Screw	
10	325735515/0	1	Steering Shaft	
11	125943009/0	2	Screw	
12	12793701/0	1	Screw	
13	125040636/0	1	Bush	
14	125601579/0	1	Pulley	
15	382004620/0	1	Wire	
16	12523060/0	1	Washer	
17	12293201/0	1	Nut	
21	382318239/0	1	Axle	
22	12735599/0	4	Screw	
23	325547231/0	2	Plate	
24	12155000/0	1	Nut	
26	25670011/0	2	Washer	
27	382000569/1	1	Connecting Rod	
28	12521350/0	1	Washer	
29	382318237/0	1	Axle	
30	12604899/0	1	Crown Fastener	
31	325547231/0	1	Plate	
32	12735599/0	2	Screw	
34	25670008/1	3	Washer	
35	125510107/1	3	Pin	
36	12156602/0	3	Nut	
37	12295200/0	3	Nut	
38	25840012/0	3	Tie Rod	
39	12523060/0	3	Washer	
41	24487998/0	3	Cotter Pin	
43	12156602/0	3	Nut	
44	25670008/1	6	Washer	



**Cutting Plate**

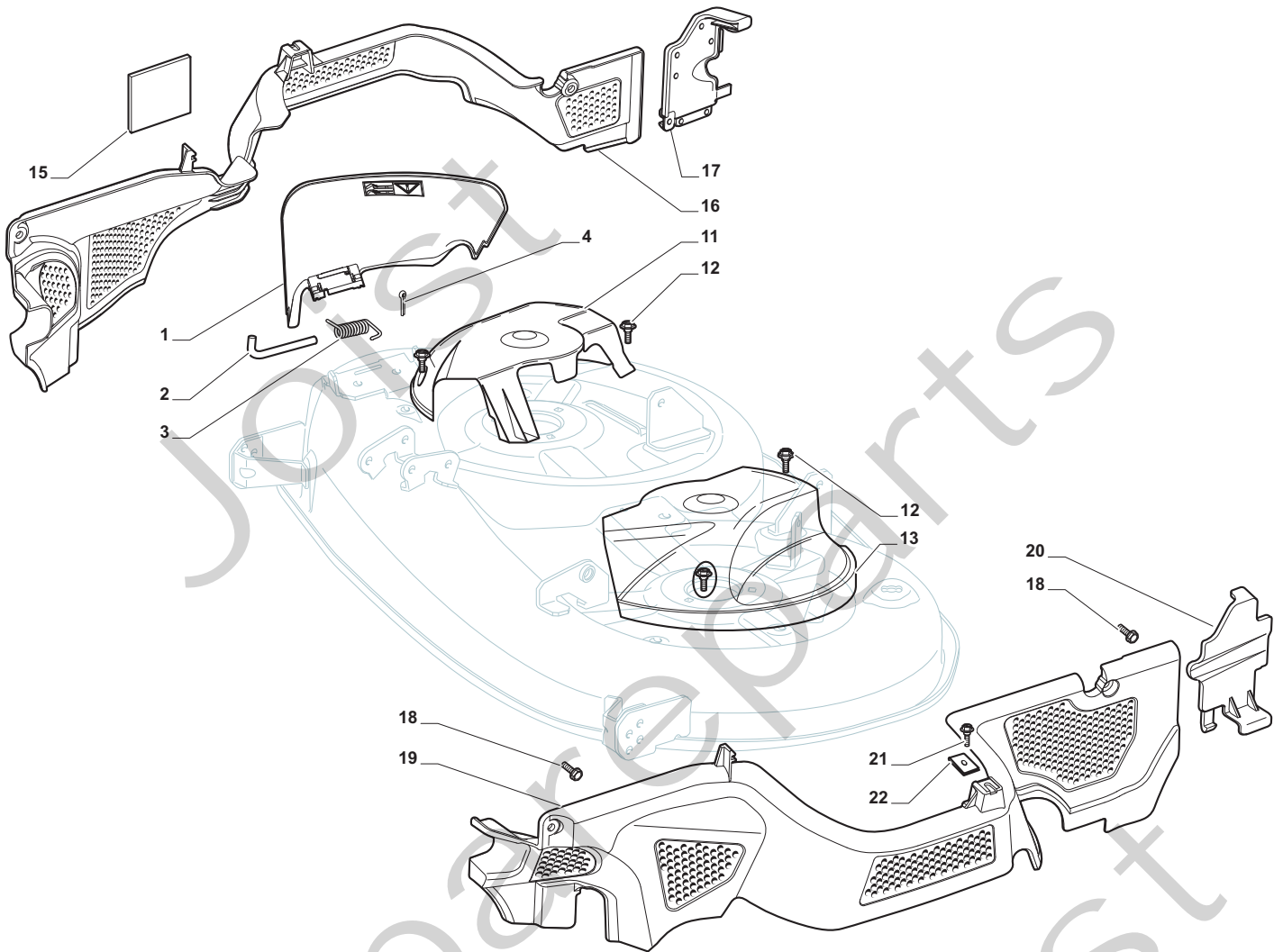
POSITION	CODE	Q.TY	DESCRIPTION	NOTES
1	382565069/0	1	Plate	
2	325033086/0	2	Water Hose Connection	
3	19035000/0	2	O Ring	
4	382207204/0	2	Flange Ass.Y	
5	125020804/0	2	Shaft	
6	119216047/0	4	Bearing	
7	25160501/0	2	Dust Cover	
8	12609260/0	2	Seeger	
11	135061506/0	1	Belt	
12	25601571/0	2	Pulley	
13	12793102/0	2	Screw	
14	12540260/0	2	Washer	
15	25670007/0	2	Washer	
16	12139480/0	2	Key	
17	12818700/0	6	Screw	
18	12154210/0	6	Nut	
19	325160505/0	2	Plate	
21	12691800/0	1	Screw	
22	12524010/0	1	Washer	
23	12610800/0	1	Snap Ring	
24	119216048/0	1	Bearing	
25	125601586/0	1	Pulley	
26	125160056/0	1	Spacer	
27	325318255/0	1	Lever	
28	12293201/0	1	Nut	
29	12155020/0	1	Nut	
30	125670022/0	1	Washer	
31	125040635/0	1	Bush	
32	382004619/0	1	Wire	
33	125160057/0	1	Spacer	
34	12523080/0	1	Washer	
35	12156602/0	1	Nut	
36	118399062/0	1	Clutc	
37	12543000/0	1	Washer	
38	12737320/0	1	Screw	
39	122430277/0	1	Spring	
41	12692050/0	2	Screw	
42	12523060/0	2	Washer	
43	25510072/0	2	Spacer	
44	82700001/0	2	Anti Scalp Wheel Ø 100	
45	12293201/0	2	Nut	
46	325547259/0	1	Stiffening	
47	12815200/0	5	Screw	
48	12154510/0	5	Nut	
51	382000565/0	2	Equalizer Rod	
52	25670008/1	8	Washer	
53	12156602/0	4	Nut	
61	12735694/0	2	Screw	
62	12523080/0	2	Washer	
63	22160400/0	2	Elastic Washer	
64	182004357/0	2	Right Blade Mulching	
65	25463200/0	2	Blade Hub	
66	12139100/0	2	Feather	





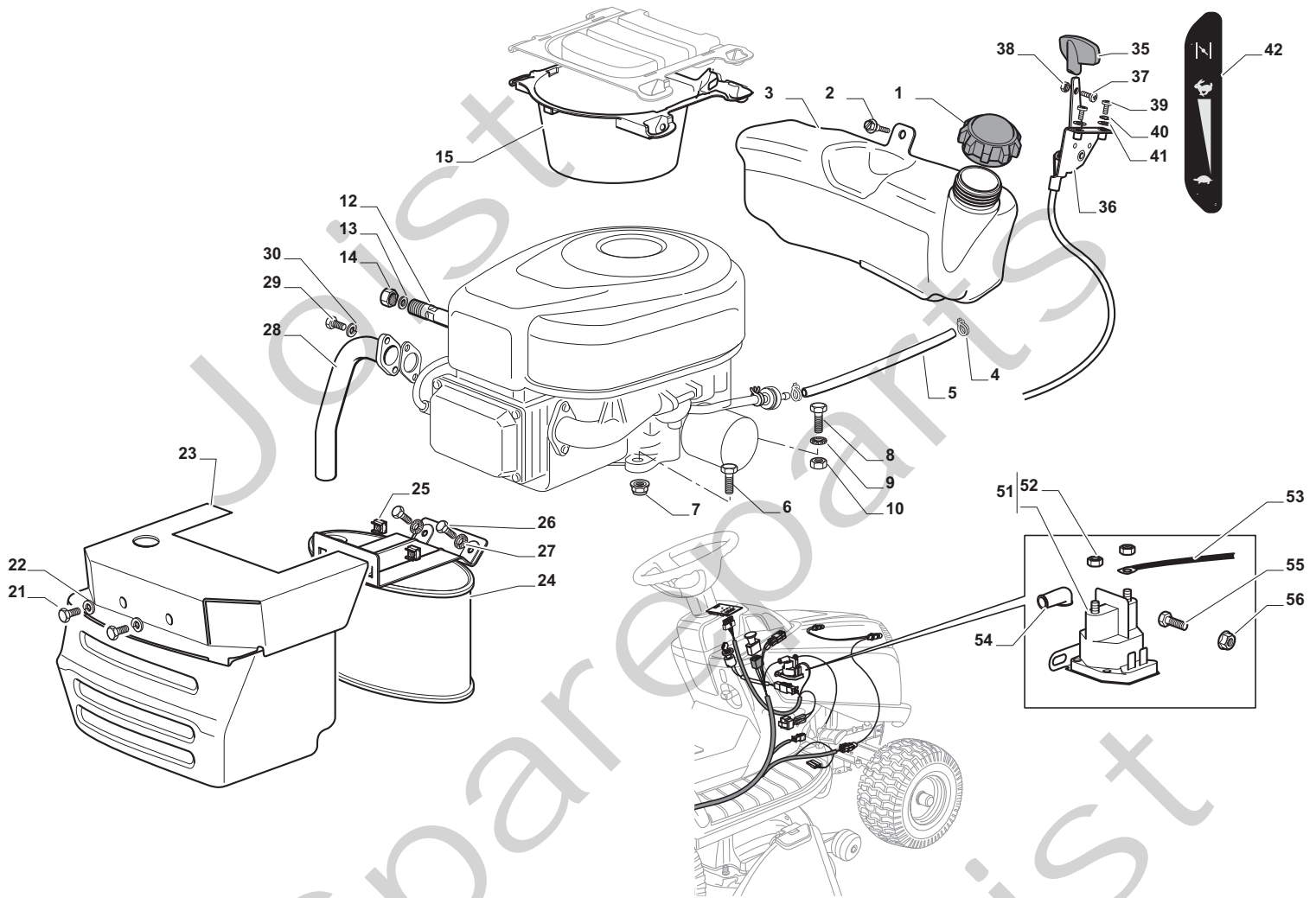
Guards				
POSITION	CODE	Q.TY	DESCRIPTION	NOTES
1	325600087/0	1	Exit Protection	
2	25510073/0	1	Pin	
3	125430242/1	1	Spring	
4	12141418/0	1	Cotter Pin	
11	325600088/0	1	Case	
12	125943006/0	4	Screw	
13	325600089/0	1	Case	

Joist  
Spareparts  
Joist



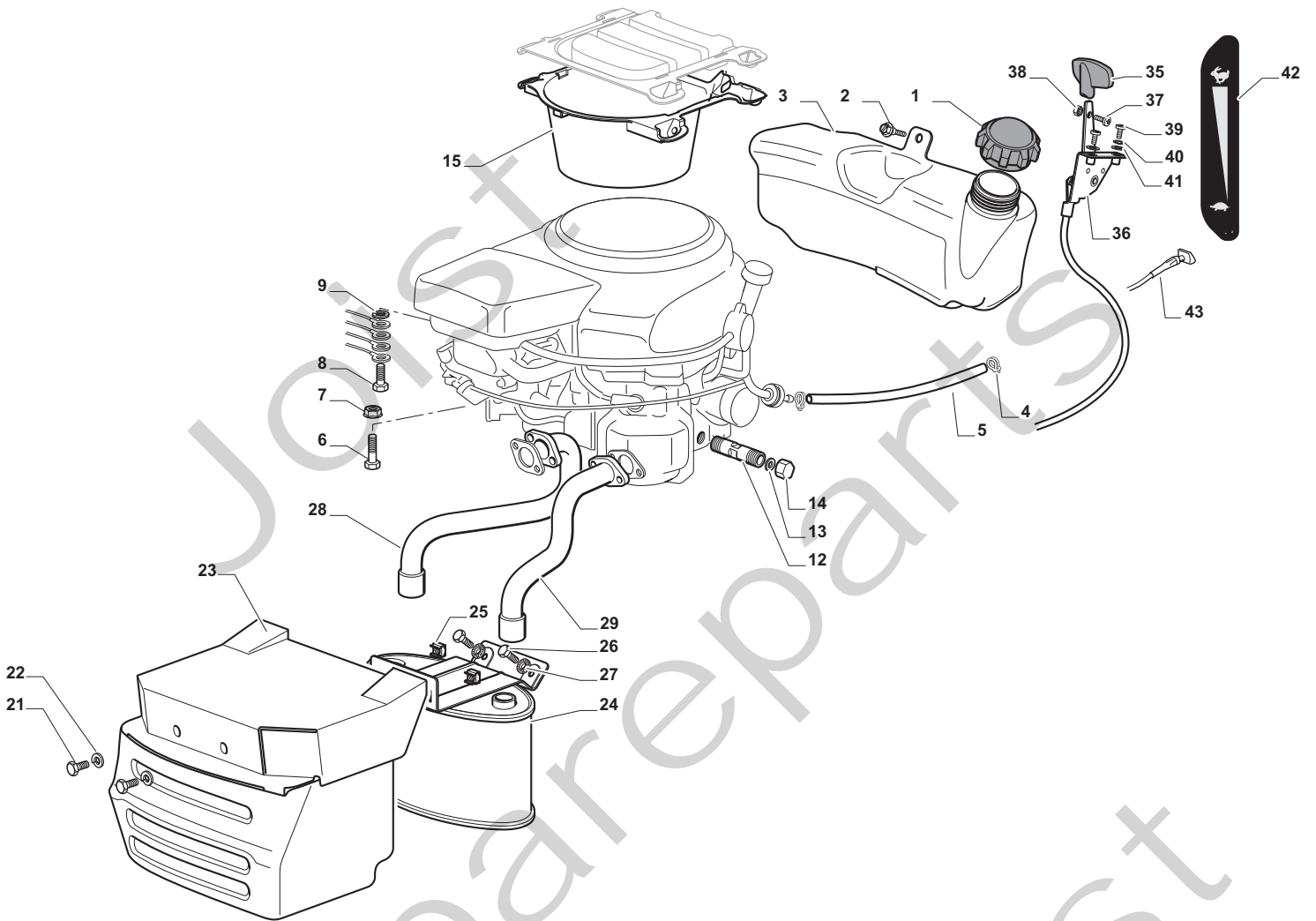
Guards				
POSITION	CODE	Q.TY	DESCRIPTION	NOTES
1	325600087/0	1	Exit Protection	
2	25510073/0	1	Pin	
3	125430242/1	1	Spring	
4	12141418/0	1	Cotter Pin	
11	325600088/0	1	Case	
12	125943006/0	4	Screw	
13	325600089/0	1	Case	
15	325600084/0	1	Guard	
16	325060154/0	1	Case	
17	325600082/0	1	Guard	
18	125943011/0	4	Screw	
19	325060155/0	1	Case	
20	325600083/0	1	Guard	
21	27943051/0	2	Screw	
22	112437506/0	2	Plate	

Joist  
Spareparts  
Joist



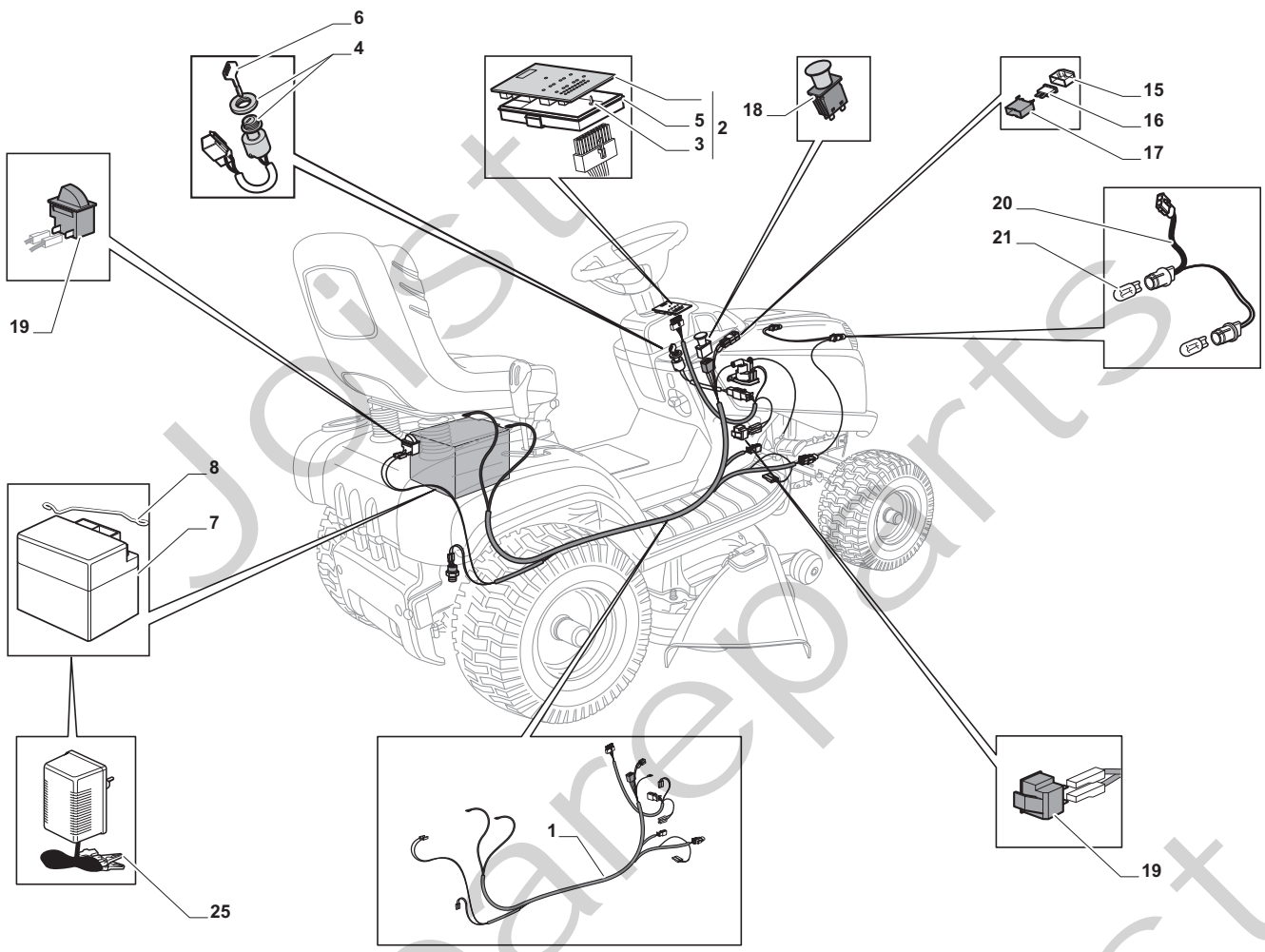
Engine - B&S 15.5 - 16.5 - 17.5 - 18.5 HP

POSITION	CODE	Q.TY	DESCRIPTION	NOTES
1	25795001/1	1	Cap	
2	125943010/0	4	Screw	
3	325735126/0	1	Tank	
4	18375051/1	2	Fair Led	
5	25869057/0	1	Connecting Tube (1000 Mm)	
6	112735108/1	3	Screw	
7	12154210/0	3	Nut	
8	12691115/0	1	Screw	
9	12540260/0	1	Washer	
10	12154210/0	1	Nut	
12	25598050/0	1	Oil Discharge Extension	
13	18401001/1	1	Oil Seal	
14	18737849/0	1	Oil Cap	
15	325108044/1	1	Conveyor	
21	12792611/0	2	Screw	
22	12540260/0	2	Washer	
23	382598047/0	1	Muffler Protection	
24	182750010/0	1	Muffler	
25	12360425/0	2	Nut (Mech.)	
26	12792611/0	2	Screw	
27	12540260/0	2	Washer	
28	18738206/0	1	Exhaust Tube	
29	12737450/0	2	Screw	
30	12540260/0	2	Washer	
35	325394531/0	1	Knob	
36	82000200/1	1	Accelerator	
37	112726389/0	1	Screw	
38	12290800/0	1	Nut	
39	112726389/0	2	Screw	
40	12540020/0	2	Washer	
41	12521310/0	2	Washer	
42	114363697/0	1	Label	
51	18736111/0	1	Starter Relay	
52	12360352/0	2	Nut	
53	25065002/0	1	Cable	
54	18564864/1	1	Protection	
55	12790781/0	1	Screw	
56	12154510/0	2	Nut	



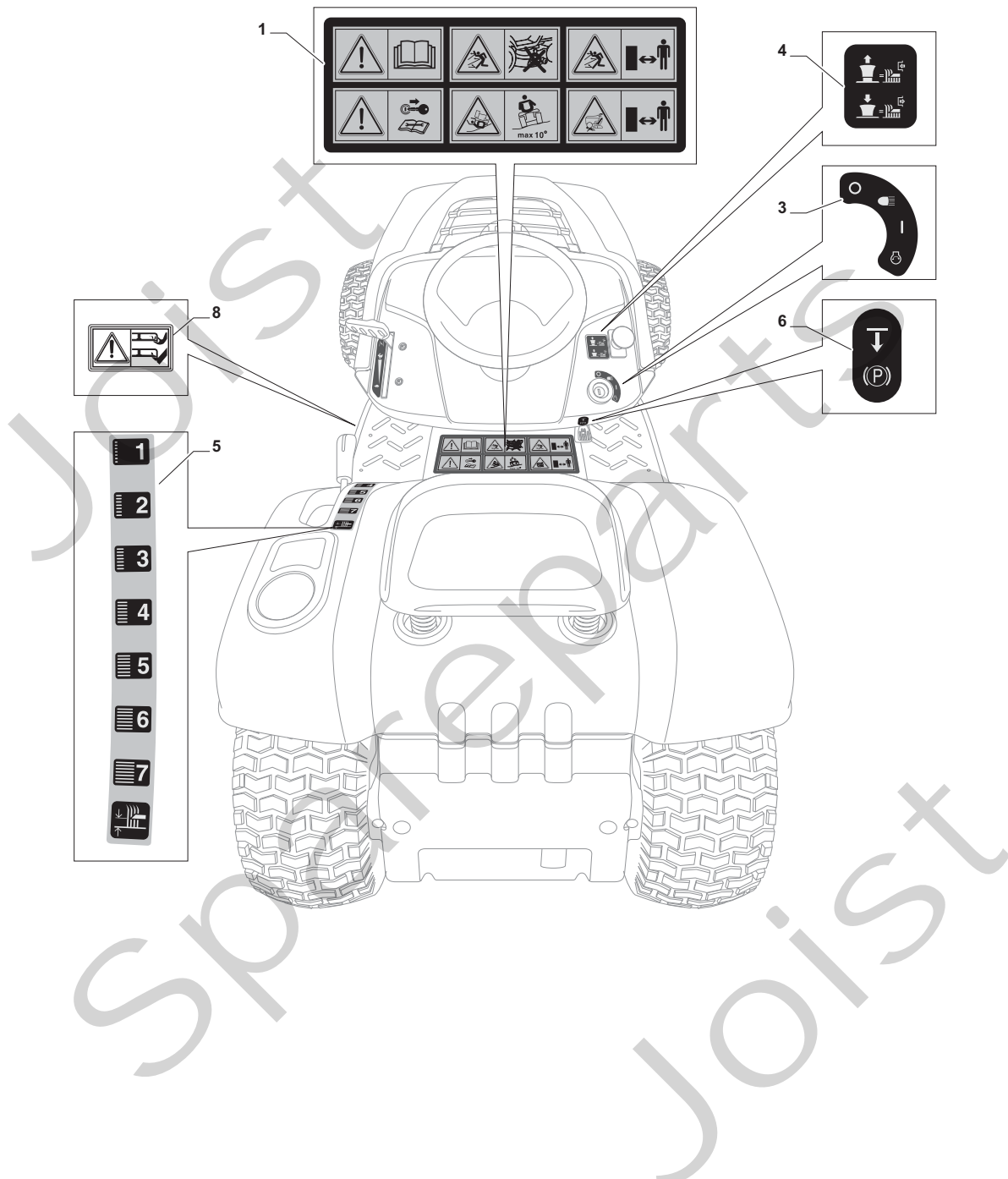
Engine - Honda GCV 530

POSITION	CODE	Q.TY	DESCRIPTION	NOTES
1	25795001/1	1	Cap	
2	125943010/0	4	Screw	
3	325735126/0	1	Tank	
4	18375051/1	2	Fair Led	
5	25869057/0	1	Connecting Tube (1000 Mm)	
6	12691115/0	4	Screw	
7	12154210/0	4	Nut	
8	12735599/0	1	Screw	
9	12540260/0	1	Washer	
12	25598052/0	1	Oil Discharge Extension	
13	18401001/1	1	Oil Seal	
14	18737849/0	1	Oil Cap	
15	325108045/1	1	Conveyor	
21	12792611/0	2	Screw	
22	12540260/0	2	Washer	
23	382598049/0	1	Muffler Protection	
24	82750003/0	1	Muffler	
25	12360425/0	2	Nut (Mech.)	
26	12792611/0	2	Screw	
27	12540260/0	2	Washer	
28	18738221/0	1	Exhaust Tube Right	
29	18738222/0	1	Exhaust Tube Left	
35	325394531/0	1	Knob	
36	182000217/0	1	Accelerator	
37	112726389/0	1	Screw	
38	12290800/0	1	Nut	
39	112726389/0	2	Screw	
40	12540020/0	2	Washer	
41	12521310/0	2	Washer	
42	114364617/0	1	Label	
43	125090006/0	1	Choke Control	



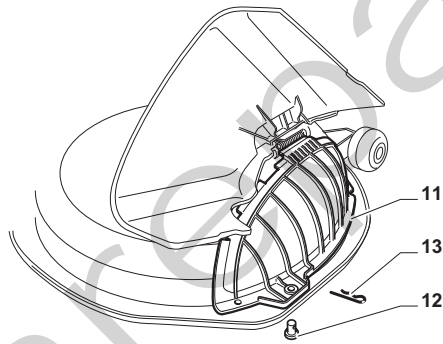
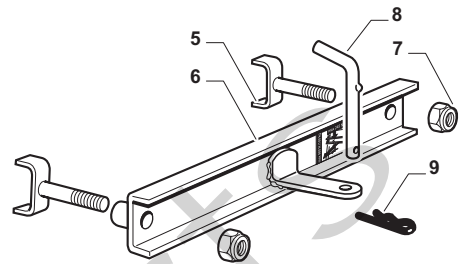
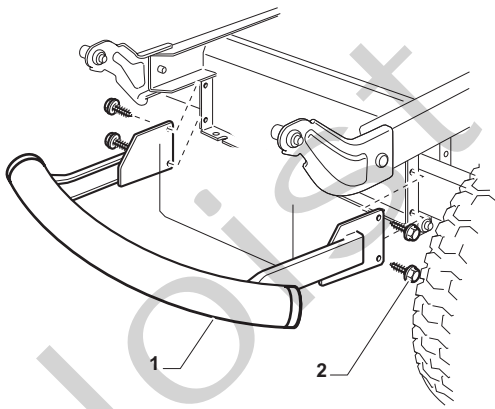


Electrical Parts				
POSITION	CODE	Q.TY	DESCRIPTION	NOTES
1	182040158/0	1	Cables Ass.Y	
1	182040157/0	1	Cables Ass.Y (Honda)	
2	125722433/0	1	Electronic Card (GGP)	
2	382722429/0	1	Electronic Card (B&S - Honda)	
3	12735101/0	1	Screw	
4	118450075/0	1	Starting Switch	
5	325600080/0	1	Card Protection	
6	118210023/0	1	Starting Key	
7	18120002/1	1	Battery	
8	125430265/0	1	Spring	
15	33215000/0	2	Cover	
16	33340040/0	1	Fuse 10A	
16	33340036/0	1	Fuse 25 A	
17	33500007/0	2	Fuse Carrier	
18	118450074/0	1	Clutch Switch	
19	119410613/0	2	Micro	
20	82040073/0	1	Cable	
21	18459100/0	2	Farilamp For Lights	
25	182180090/0	1	Battery Charger	
25	182180091/0	1	Battery Charger (U.K.)	



Labels				
POSITION	CODE	Q.TY	DESCRIPTION	NOTES
1	114362365/1	1	Label	
3	114363699/0	1	Label	
4	14361438/0	1	Label	
5	114363701/0	1	Label	
6	114363700/0	1	Label	
8	114356699/1	1	Label	

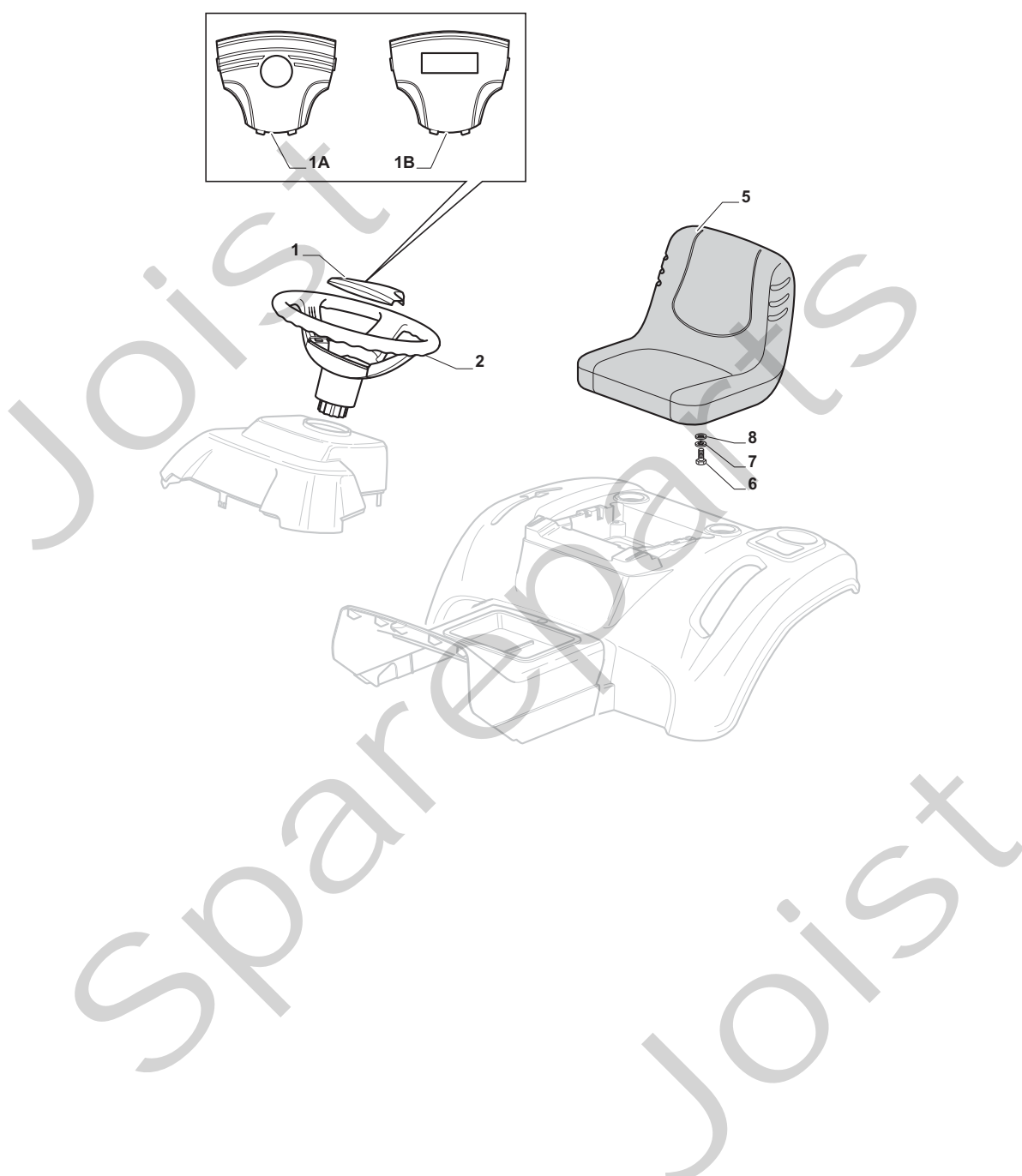
Joist  
Spareparts  
Joist



Optionals On Request

POSITION	CODE	Q.TY	DESCRIPTION	NOTES
1	382869038/0	1	Muffler Protection	
2	125943008/0	4	Screw	
5	382650211/0	2	Stiffening	
6	382033111/0	1	Rod	
7	12155000/0	2	Nut	
8	25510021/1	1	Pin	
9	24487999/0	1	Cotter Pin	
11	325140101/0	1	Deflector	
12	125510111/0	1	Pin	
13	24487998/0	1	Cotter Pin	

Joist  
Spareparts  
Joist



Seat & Steering Wheel				
POSITION	CODE	Q.TY	DESCRIPTION	NOTES
1A	325580503/0	1	Steering Plate	
1B	325580504/0	1	Steering Plate	
2	325961219/0	1	Steering Wheel	
5	25722463/0	1	Seat	
6	12792611/0	4	Screw	
7	12540260/0	4	Washer	
8	12523060/0	4	Washer	

Joist  
Spareparts  
Joist