

Genuine Spare Parts

www.stiga.com

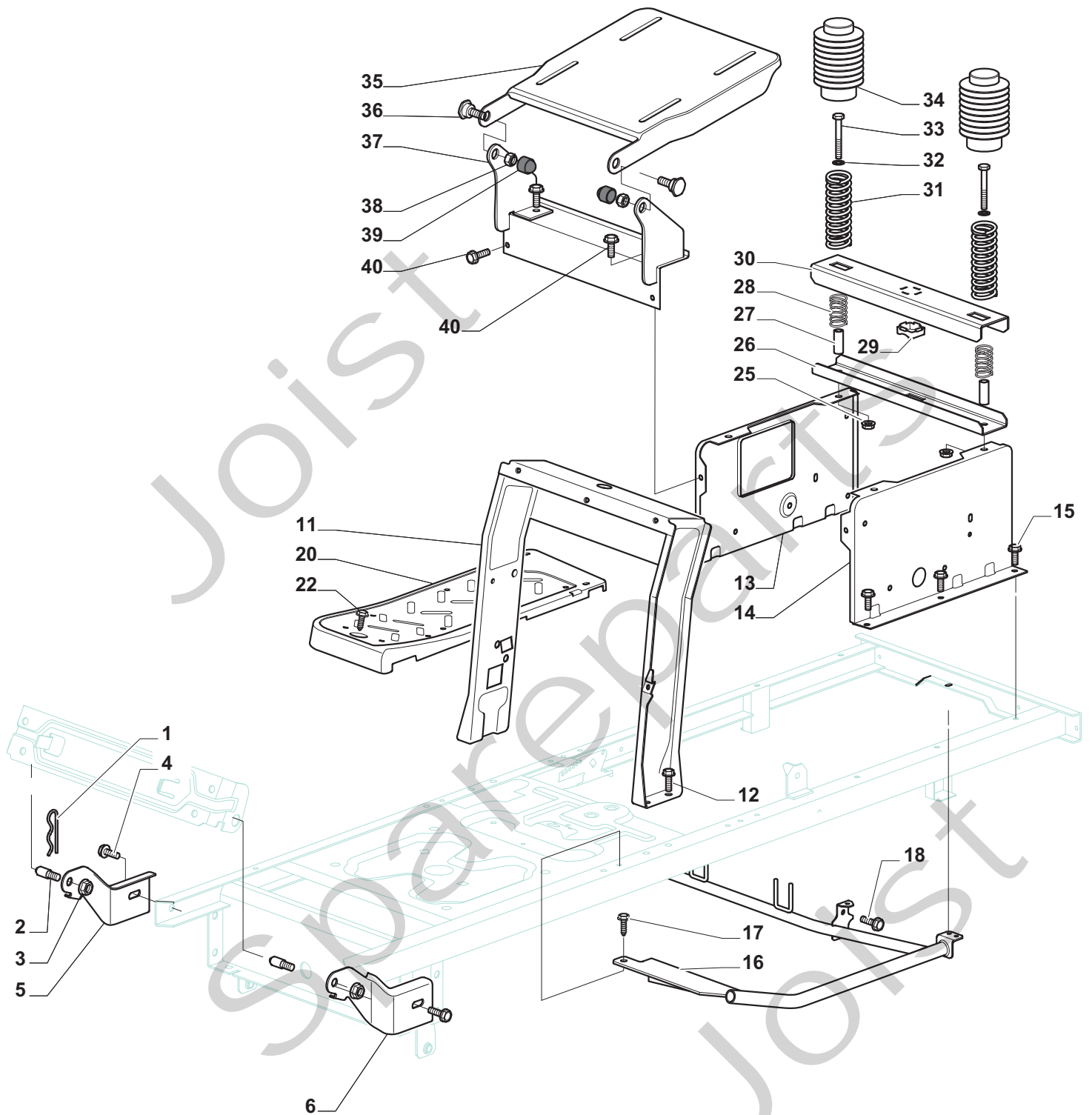
ESTATE GRAND TORNADO HST - 2T1220281/11 Model Year 2011

- Use GLOBAL GARDEN PRODUCT Genuine Spare Parts specified in the parts list for repair and/or replacement.
- The contents described in the parts list may change due to improvement.
- The drawings of the spare parts are only indicative and might not represent the part in question exactly.
- The indications "right" - "left" - "front" - "rear" refer to the position of the operator when using the machine.
- When placing orders of parts for repair and/or replacement, make sure that the illustrated parts list is the one applying to the machine's year of manufacture, as shown on the identification plate attached to the machine.

COPYRIGHT by GLOBAL GARDEN PRODUCTS

All rights reserved. No part of this material may be reproduced or transmitted, in any form or by any means, electronic or mechanical, including photocopying, recording or by any information storage and retrieval system, without permission in writing from GLOBAL GARDEN PRODUCTS.



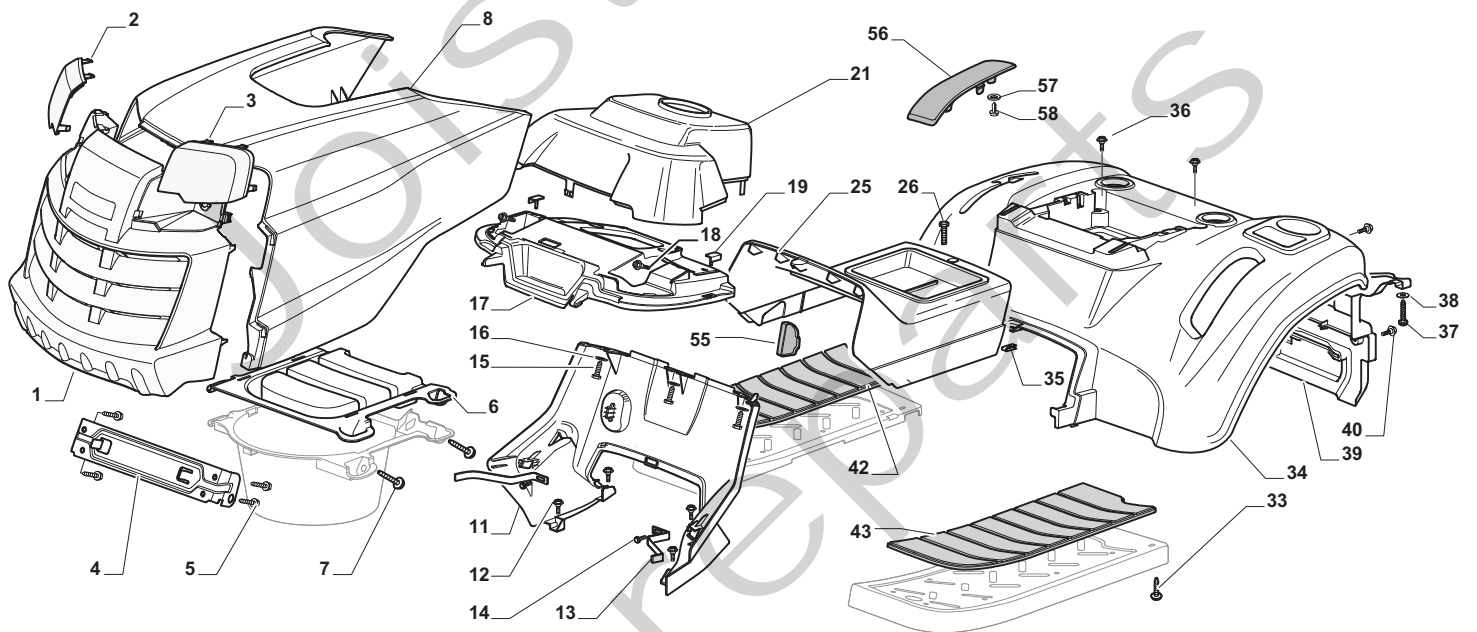




ESTATE GRAND TORNADO HST

| Pos. Fig. | Antal Quantity | Art No Part No | Benämning | Description | Anmärkning Notes |
|-----------|----------------|----------------|---------------|-------------------------|------------------|
| 1 | 1 | 24487998/0 | Låsnål | Cotter Pin | |
| 2 | 2 | 25510079/0 | Stift | Pin | |
| 3 | 2 | 12154210/0 | Mutter | Nut | |
| 4 | 2 | 12735599/0 | Skruv | Screw | |
| 5 | 1 | 325547225/0 | Trombocyt hö | Right Plate | |
| 6 | 1 | 325547227/0 | Trombocyt vä | Left Plate | |
| 11 | 1 | 382785169/1 | Stöd | Steering Column Support | |
| 12 | 4 | 125943009/0 | Skruv | Screw | |
| 13 | 1 | 325785331/0 | Stöd | Right Seat Support | |
| 14 | 1 | 325785333/0 | Stöd | Left Seat Support | |
| 15 | 6 | 125943009/0 | Skruv | Screw | |
| 16 | 1 | 382785179/0 | Fotsteg Stöd | Footboard Support | |
| 17 | 2 | 125943009/0 | Skruv | Screw | |
| 18 | 2 | 125943009/0 | Skruv | Screw | |
| 20 | 1 | 325500041/1 | Fotsteg hö | Right Footboard | |
| 21 | 1 | 325500043/1 | Fotsteg Vä | Left Footboard | |
| 22 | 2 | 12735599/0 | Skruv | Screw | |
| 25 | 2 | 12293201/0 | Mutter | Nut | |
| 26 | 1 | 325820109/0 | Seat Support | Seat Support | |
| 27 | 2 | 125160048/0 | Distans | Spacer | |
| 28 | 2 | 125430263/0 | Fjäder | Spring | |
| 29 | 1 | 325060038/0 | Fäste | Cam | |
| 30 | 1 | 325820105/0 | Stöd | Support | |
| 31 | 2 | 125430264/0 | Fjäder | Spring | |
| 32 | 2 | 12521350/0 | Bricka | Washer | |
| 33 | 2 | 12691400/0 | Skruv | Right Screw | |
| 34 | 2 | 325122002/0 | Hood | Hood | |
| 35 | 1 | 382547061/0 | Tavla | Plate | |
| 36 | 2 | 22524970/2 | Stift | Pin | |
| 37 | 1 | 382820151/0 | Seat Support | Seat Support | |
| 38 | 2 | 12155010/0 | Mutter | Nut | |
| 39 | 2 | 118203854/0 | Tätningshylsa | Protection | |
| 40 | 4 | 125943009/0 | Skruv | Screw | |

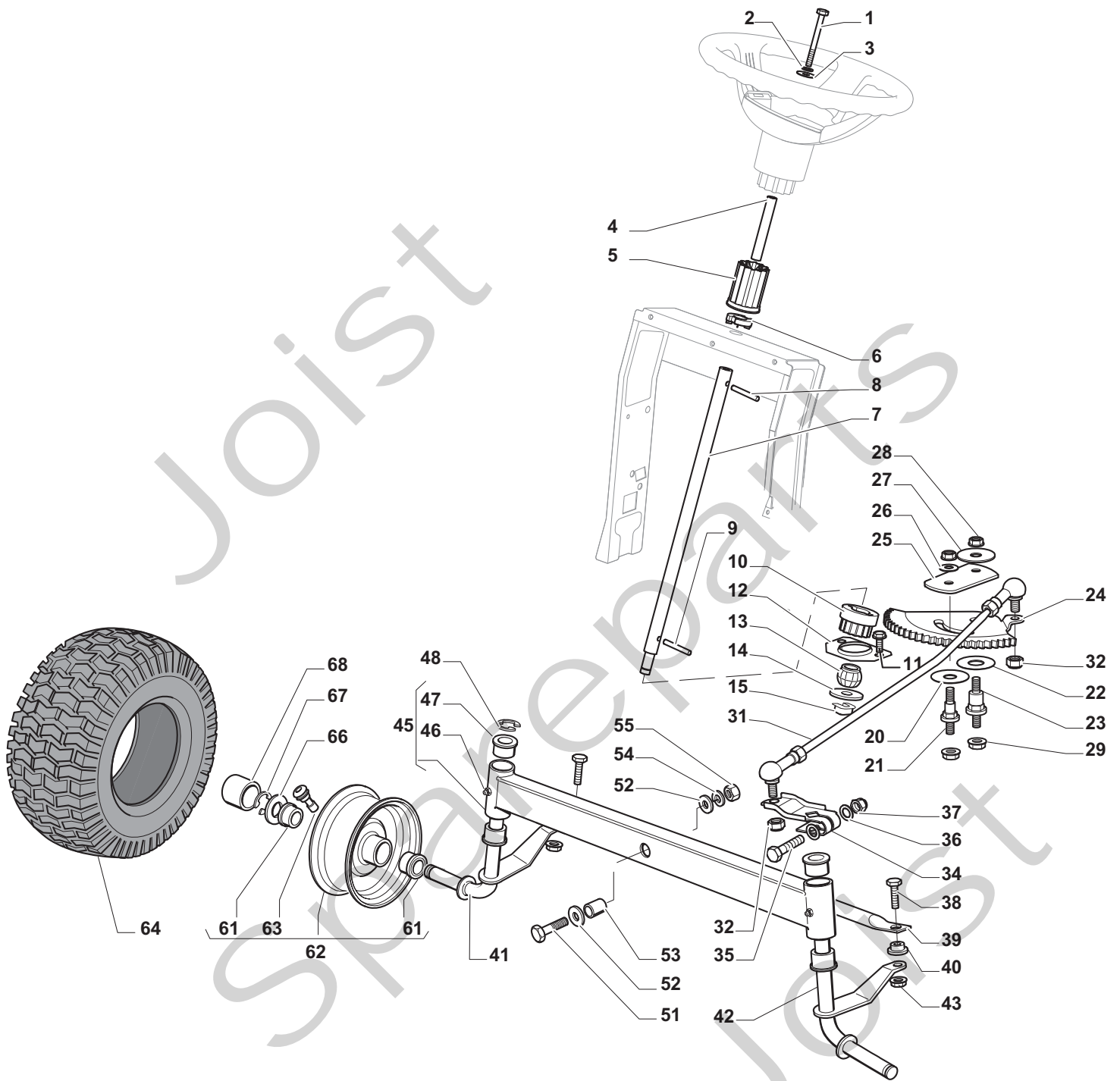
ESTATE GRAND TORNADO HST





ESTATE GRAND TORNADO HST

| Pos. Fig. | Antal Quantity | Art No Part No | Benämning | Description | Anmärkning Notes |
|-----------|----------------|----------------|-----------------------|-----------------------|------------------|
| 1 | 1 | 325076914/0 | Hood, Front | Hood, Front | |
| 2 | 1 | 325410903/0 | Frontkåpa hö | Right Grill | |
| 3 | 1 | 325410904/0 | Frontkåpa vä | Left Grill | |
| 4 | 1 | 325785365/0 | Motorhuv | Engine Hood Support | |
| 5 | 4 | 12735403/0 | Skruv | Screw | |
| 6 | 1 | 325263302/1 | Air Intake Grill | Air Intake Grill | |
| 7 | 4 | 112728692/0 | Skruv | Screw | |
| 8 | 1 | 325076912/0 | Engine Hood | Engine Hood | |
| 11 | 1 | 325785298/0 | Instrumentbrädal Stöd | Dashboard Support | |
| 12 | 4 | 125943010/0 | Skruv | Screw | |
| 13 | 2 | 325270325/0 | Guide | Guide | |
| 14 | 2 | 12735599/0 | Skruv | Screw | |
| 15 | 3 | 112735406/0 | Skruv | Screw | |
| 16 | 3 | 12523040/0 | Bricka | Washer | |
| 17 | 1 | 325120202/1 | Instrumentbräda | Dashboard | |
| 18 | 2 | 125943010/0 | Skruv | Screw | |
| 19 | 2 | 325260003/0 | Hylsa | Grommet | |
| 21 | 1 | 325120203/0 | Kåpa | Cover | |
| 25 | 1 | 325110396/1 | Kåpa gul | Cover, Yellow | |
| 26 | 1 | 125943010/0 | Skruv | Screw | |
| 33 | 4 | 112735406/0 | Skruv | Screw | |
| 34 | 1 | 325110399/0 | Wheels Cover Yellow | Wheels Cover Yellow | |
| 35 | 1 | 112437506/0 | Trombocyt | Plate | |
| 36 | 2 | 125943010/0 | Skruv | Screw | |
| 37 | 2 | 112735406/0 | Skruv | Screw | |
| 38 | 2 | 12523040/0 | Bricka | Washer | |
| 39 | 1 | 325547208/1 | Tavla | Plate | |
| 40 | 2 | 125943010/0 | Skruv | Screw | |
| 42 | 1 | 325110384/0 | Fotsteg hö täcka | Right Footboard Cover | |
| 43 | 1 | 325110385/0 | Fotsteg Vä täcka | Left Footboard Cover | |
| 56 | 1 | 325207190/0 | Skyddsplåt | Cover | |
| 57 | 4 | 12523050/0 | Bricka | Washer | |
| 58 | 2 | 12735403/0 | Skruv | Screw | |

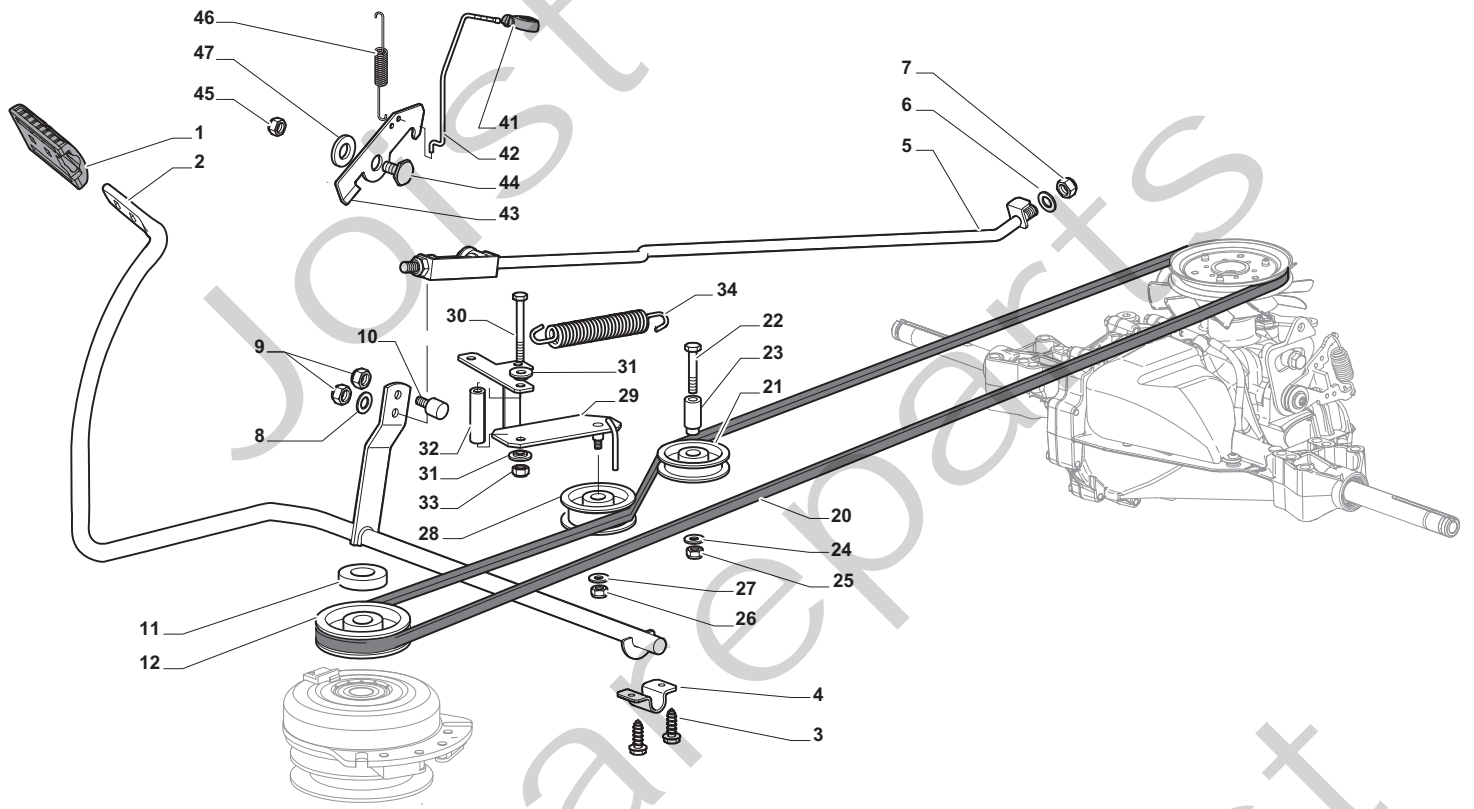




ESTATE GRAND TORNADO HST

| Pos. Fig. | Antal Quantity | Art No Part No | Benämning | Description | Anmärkning Notes |
|-----------|----------------|----------------|------------------------------------|------------------------------------|------------------|
| 1 | 1 | 12692050/0 | Skruv | Screw | |
| 2 | 1 | 12540260/0 | Bricka | Washer | |
| 3 | 1 | 12523070/0 | Bricka | Washer | |
| 4 | 1 | 125160047/0 | Distans | Spacer | |
| 5 | 1 | 325785318/0 | Stöd | Support | |
| 6 | 1 | 325038008/0 | Bussning | Bush | |
| 7 | 1 | 125520007/0 | Steering Column | Steering Column | |
| 8 | 1 | 112620300/0 | Stift | Pin | |
| 9 | 1 | 12622650/0 | Stift | Pin | |
| 10 | 1 | 125570003/0 | Drev | Pinion | |
| 11 | 2 | 27943051/0 | Skruv | Screw | |
| 12 | 1 | 325785213/1 | Stöd | Support | |
| 13 | 1 | 25743000/0 | Ledkåpa, Vä+Hö | Joint | |
| 14 | 1 | 12521370/0 | Bricka | Washer | |
| 15 | 1 | 12436030/0 | Trombocyt | Plate | |
| 20 | 1 | 22672151/0 | Bricka | Washer | |
| 21 | 1 | 125510104/0 | Stift | Pin | |
| 22 | 1 | 125670023/0 | Bricka | Washer | |
| 23 | 1 | 125510109/0 | Stift | Pin | |
| 24 | 1 | 325735519/0 | Steering Shaft | Steering Shaft | |
| 25 | 1 | 325547233/0 | Tavla | Plate | |
| 26 | 1 | 12369500/0 | Bricka | Washer | |
| 27 | 1 | 22160400/0 | Dammskydd | Dust Cover | |
| 28 | 2 | 12155010/0 | Mutter | Nut | |
| 29 | 2 | 12154210/0 | Mutter | Nut | |
| 31 | 1 | 382000566/0 | Stång | Steering Rod | |
| 32 | 2 | 12156602/0 | Mutter | Nut | |
| 34 | 1 | 325318243/0 | Spak | Lever | |
| 35 | 1 | 12692390/0 | Skruv | Screw | |
| 36 | 2 | 12521360/0 | Bricka | Washer | |
| 37 | 1 | 12156602/0 | Mutter | Nut | |
| 38 | 2 | 125510103/0 | Stift | Pin | |
| 39 | 1 | 325840029/0 | Gasreglagelänk | Tie Rod | |
| 40 | 2 | 325038007/0 | Bussning | Bush | |
| 41 | 1 | 382230373/0 | Right Stub Axle | Right Stub Axle | |
| 42 | 1 | 382230375/0 | Left Stub Axle | Left Stub Axle | |
| 43 | 2 | 12155000/0 | Mutter | Nut | |
| 45 | 1 | 382034030/0 | Equalizer With Bush (With 36 + 37) | Equalizer With Bush And Lubricator | |
| 46 | 2 | 12379511/0 | Smörjnippl | Grease Dispenser | |
| 47 | 4 | 25034002/1 | Bussning | Brass | |
| 48 | 1 | 12001010/0 | Låsring | Benzing | |
| 51 | 1 | 12692695/0 | Skruv | Screw | |
| 52 | 2 | 12523100/0 | Bricka | Washer | |
| 53 | 1 | 25160016/0 | Distans | Spacer | |
| 54 | 1 | 12587100/0 | Bricka | Washer | |
| 55 | 1 | 12295300/0 | Mutter | Nut | |
| 61 | 4 | 25122200/2 | Kullager | Bearing | |
| 62 | 2 | 182000598/0 | Rimm | Rimm | |
| 63 | 2 | 25950000/0 | Ventil | Valve | |
| 64 | 2 | 127590066/0 | Dack | Tire | |
| 66 | 2 | 25670005/1 | Bricka | Washer | |
| 67 | 2 | 12001010/0 | Låsring | Benzing | |
| 68 | 2 | 322110233/0 | Navkapsel | Hub Cover | |

ESTATE GRAND TORNADO HST

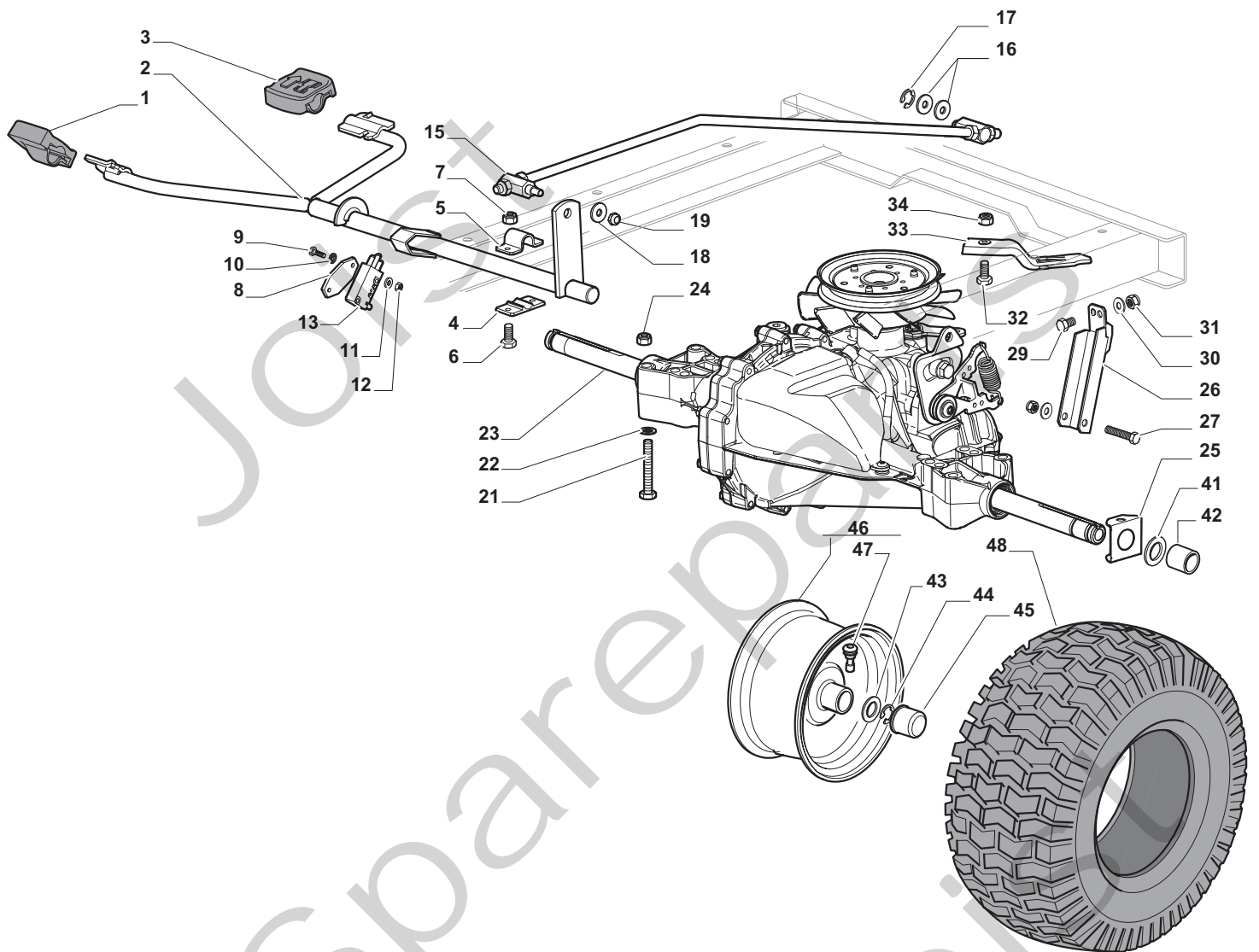




ESTATE GRAND TORNADO HST

| Pos. Fig. | Antal Quantity | Art No Part No | Benämning | Description | Anmärkning Notes |
|-----------|----------------|----------------|-------------|-------------|------------------|
| 1 | 1 | 325110409/0 | Clamp Cover | Clamp Cover | |
| 2 | 1 | 382000575/0 | Pedal | Pedal | |
| 3 | 4 | 12735599/0 | Skruv | Screw | |
| 4 | 2 | 325547231/0 | Trombocyt | Plate | |
| 5 | 1 | 382000576/0 | Länk | Rod | |
| 6 | 1 | 12521360/0 | Bricka | Washer | |
| 7 | 1 | 12156602/0 | Mutter | Nut | |
| 8 | 1 | 25670011/0 | Bricka | Washer | |
| 9 | 2 | 12155000/0 | Mutter | Nut | |
| 10 | 1 | 125510116/0 | Stift | Pin | |
| 11 | 1 | 25160021/0 | Distans | Spacer | |
| 12 | 1 | 125601577/0 | Remskiva | Pulley | |
| 13 | 2 | 12524010/0 | Bricka | Washer | |
| 20 | 1 | 135062003/0 | Drivrem | Belt | |
| 21 | 1 | 25601555/0 | Remskiva | Pulley | |
| 22 | 1 | 12691400/0 | Skruv | Right Screw | |
| 23 | 1 | 125160051/0 | Distans | Spacer | |
| 24 | 1 | 12523060/0 | Bricka | Washer | |
| 25 | 1 | 12155000/0 | Mutter | Nut | |
| 26 | 1 | 12155000/0 | Mutter | Nut | |
| 27 | 1 | 12523060/0 | Bricka | Washer | |
| 28 | 1 | 25601554/0 | Remskiva | Pulley | |
| 29 | 1 | 382318245/0 | Spak | Lever | |
| 30 | 1 | 12691600/0 | Skruv | Screw | |
| 31 | 2 | 25038002/1 | Bussning | Bush | |
| 32 | 1 | 25160027/0 | Distans | Spacer | |
| 33 | 1 | 12155000/0 | Mutter | Nut | |
| 34 | 1 | 125430262/0 | Fjäder | Spring | |
| 41 | 1 | 325394534/0 | Knopp | Knob | |
| 42 | 1 | 125033083/0 | Länk | Rod | |
| 43 | 1 | 325253011/0 | Hake | Hook | |
| 44 | 1 | 22524970/2 | Stift | Pin | |
| 45 | 1 | 12155000/0 | Mutter | Nut | |
| 46 | 1 | 25430213/0 | Fjäder | Spring | |
| 47 | 1 | 12523060/0 | Bricka | Washer | |

ESTATE GRAND TORNADO HST

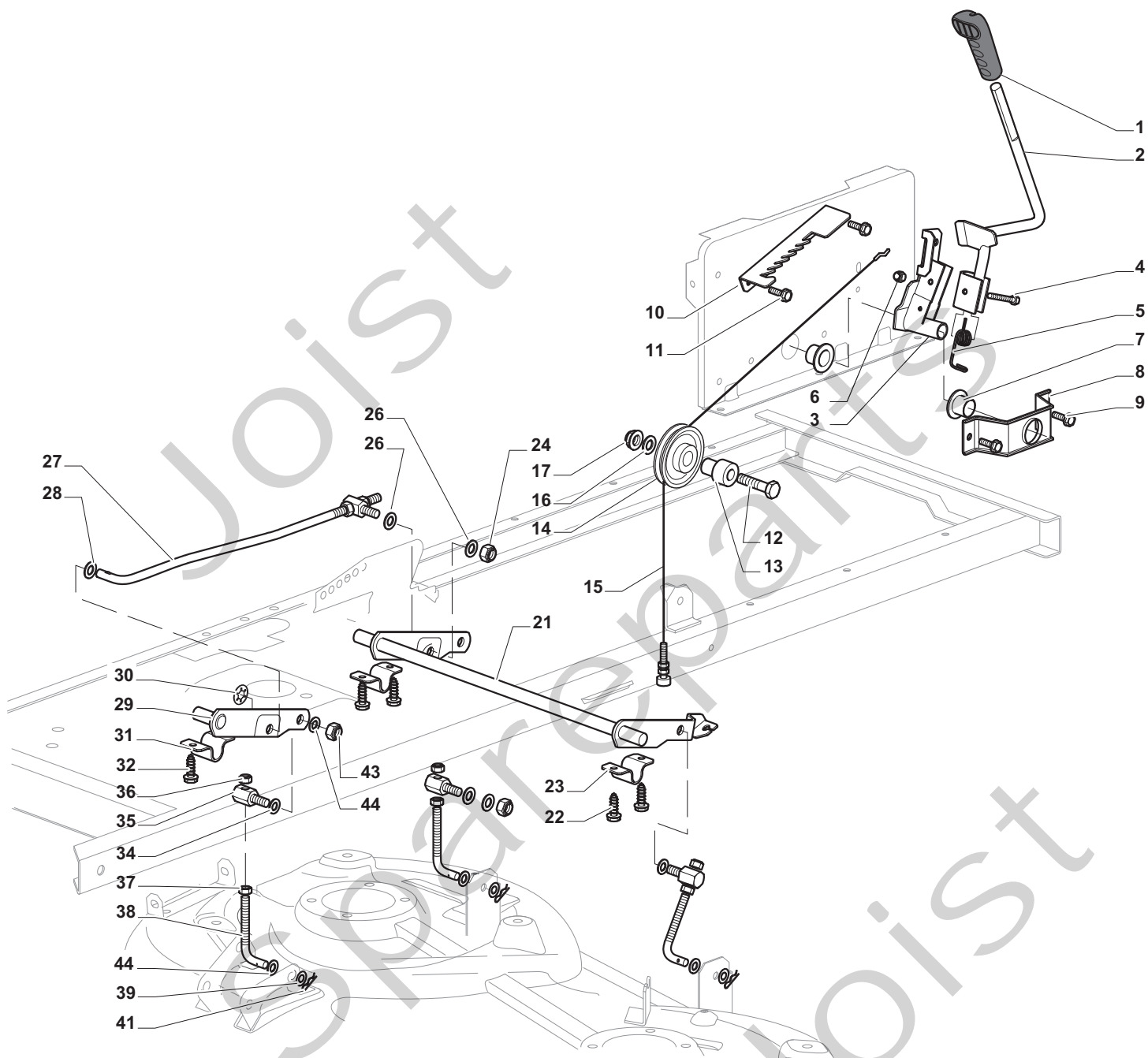




ESTATE GRAND TORNADO HST

| Pos. Fig. | Antal Quantity | Art No Part No | Benämning | Description | Anmärkning Notes |
|-----------|----------------|----------------|--|--|------------------|
| 1 | 1 | 25110274/0 | Clamp Cover Front | Clamp Cover Front | |
| 2 | 1 | 382000574/0 | Drive Pedal | Drive Pedal | |
| 3 | 1 | 25110331/0 | Clamp Cover Rear | Clamp Cover Rear | |
| 4 | 2 | 325785350/0 | Stöd | Support | |
| 5 | 2 | 325547231/0 | Trombocyt | Plate | |
| 6 | 4 | 12791213/1 | Skruv | Screw | |
| 7 | 4 | 12154510/0 | Mutter | Nut | |
| 8 | 1 | 27546019/0 | Trombocyt | Plate | |
| 9 | 2 | 12735602/0 | Skruv | Screw | |
| 10 | 2 | 12540020/0 | Bricka | Washer | |
| 11 | 2 | 12581100/0 | Bricka | Grower | |
| 12 | 2 | 12290791/0 | Mutter | Nut | |
| 13 | 1 | 19410609/0 | Neutral Switch (Hydro) | Neutral Switch (Hydro) | |
| 15 | 1 | 382000573/0 | Länk | Rod | |
| 16 | 2 | 25670011/0 | Bricka | Washer | |
| 17 | 1 | 12000955/0 | Låsring | Circlip | |
| 18 | 1 | 12523040/0 | Bricka | Washer | |
| 19 | 1 | 12154510/0 | Mutter | Nut | |
| 21 | 4 | 12691600/0 | Skruv | Screw | |
| 22 | 4 | 12521350/0 | Bricka | Washer | |
| 23 | 1 | 118400919/0 | Rear Axle (Hydro Gear T2 Aded 2X3C 1Pa1) | Rear Axle (Hydro Gear T2 Aded 2X3C 1Pa1) | |
| 23 | 1 | 118400919/1 | Rear Axle Hydro Gear T2 Adbf 2X3C 1Px1 | Rear Axle Hydro Gear T2 Adbf 2X3C 1Px1 | |
| 24 | 4 | 12155000/0 | Mutter | Nut | |
| 25 | 2 | 325670026/0 | Bricka | Washer | |
| 26 | 1 | 325785349/0 | Stöd | Support | |
| 27 | 1 | 12691700/0 | Skruv | Screw | |
| 29 | 1 | 12792611/0 | Skruv | Screw | |
| 30 | 2 | 12523060/0 | Bricka | Washer | |
| 31 | 2 | 12155000/0 | Mutter | Nut | |
| 32 | 1 | 12791213/1 | Skruv | Screw | |
| 33 | 1 | 325318251/0 | Spak | Lever | |
| 34 | 1 | 12154510/0 | Mutter | Nut | |
| 41 | 2 | 25670005/1 | Bricka | Washer | |
| 42 | 2 | 125160055/0 | Distans | Spacer | |
| 43 | 6 | 25670005/1 | Bricka | Washer | |
| 44 | 2 | 12001010/0 | Låsring | Benzing | |
| 45 | 2 | 322110233/0 | Navkapsel | Hub Cover | |
| 46 | 2 | 382000597/0 | Rimm | Rimm | |
| 47 | 2 | 25950000/0 | Ventil | Valve | |
| 48 | 2 | 125590015/0 | Dack | Shoe | |

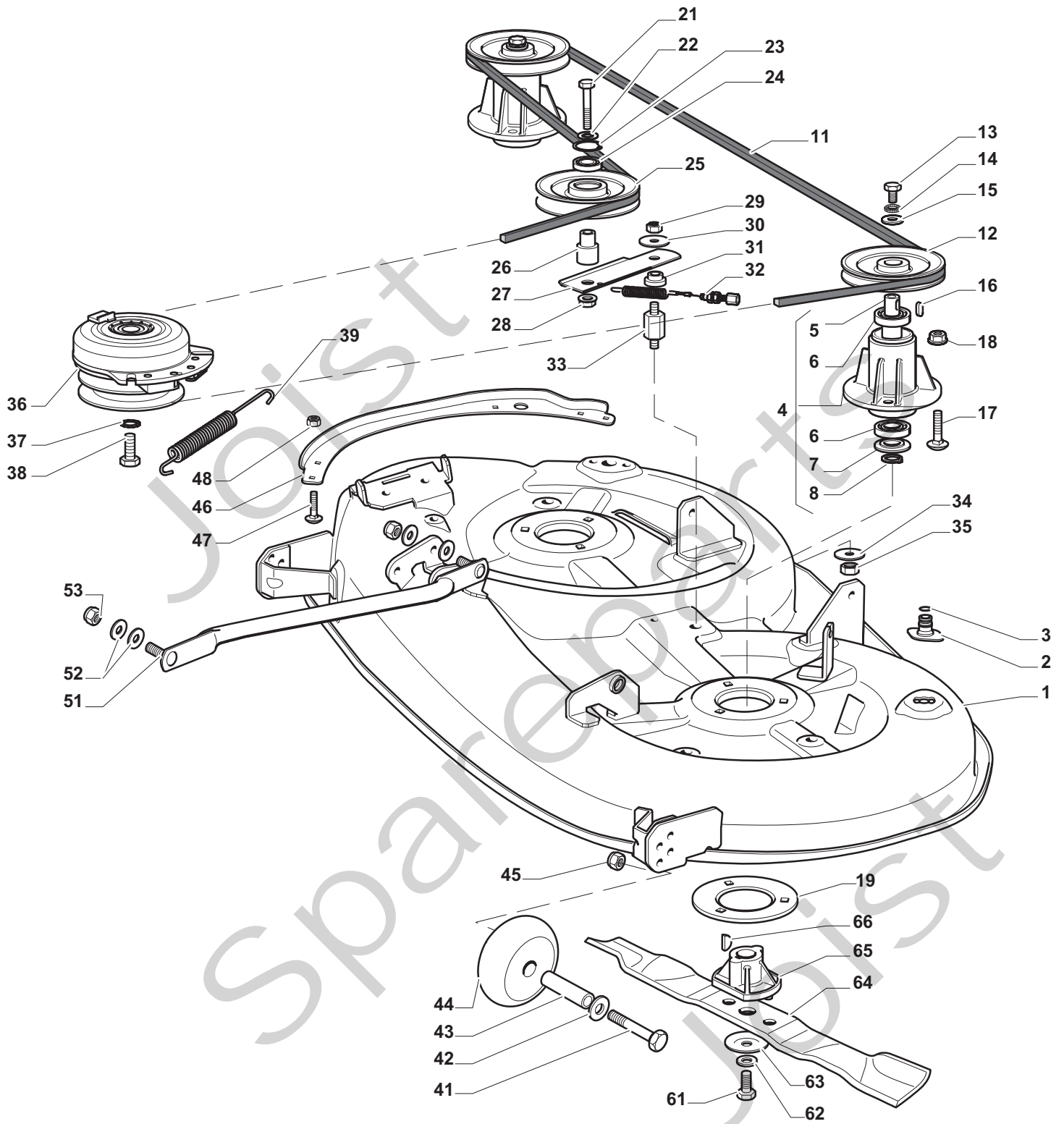
ESTATE GRAND TORNADO HST





ESTATE GRAND TORNADO HST

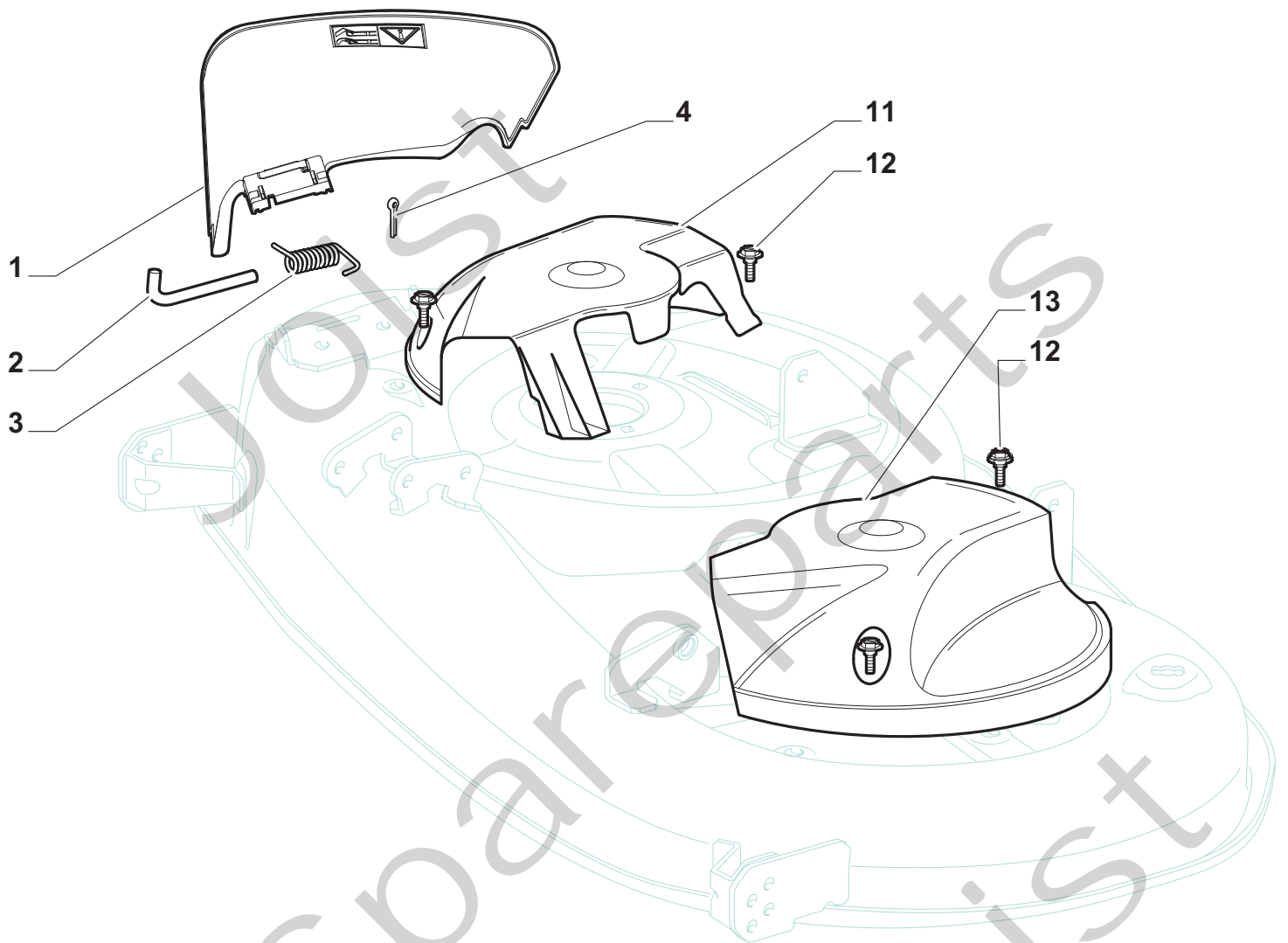
| Pos. Fig. | Antal Quantity | Art No Part No | Benämning | Description | Anmärkning Notes |
|-----------|----------------|----------------|----------------|----------------|------------------|
| 1 | 1 | 325394533/0 | Knopp | Knob | |
| 2 | 1 | 382318229/0 | Spak | Lever | |
| 3 | 1 | 382318231/0 | Axel | Axle | |
| 4 | 1 | 12674700/0 | Skruv | Screw | |
| 5 | 1 | 125430261/0 | Fjäder | Spring | |
| 6 | 1 | 12154510/0 | Mutter | Nut | |
| 7 | 2 | 325038006/0 | Bussning | Bush | |
| 8 | 1 | 325785297/0 | Stöd | Support | |
| 9 | 2 | 125943009/0 | Skruv | Screw | |
| 10 | 1 | 325735515/0 | Steering Shaft | Steering Shaft | |
| 11 | 2 | 125943009/0 | Skruv | Screw | |
| 12 | 1 | 12793701/0 | Skruv | Screw | |
| 13 | 1 | 125040636/0 | Bussning | Bush | |
| 14 | 1 | 125601579/0 | Remskiva | Pulley | |
| 15 | 1 | 382004620/0 | Kabel | Wire | |
| 16 | 1 | 12523060/0 | Bricka | Washer | |
| 17 | 1 | 12293201/0 | Mutter | Nut | |
| 21 | 1 | 382318239/0 | Axel | Axle | |
| 22 | 4 | 12735599/0 | Skruv | Screw | |
| 23 | 2 | 325547231/0 | Trombocyt | Plate | |
| 24 | 1 | 12155000/0 | Mutter | Nut | |
| 26 | 2 | 25670011/0 | Bricka | Washer | |
| 27 | 1 | 382000569/0 | Vevstake | Connecting Rod | |
| 28 | 1 | 12521350/0 | Bricka | Washer | |
| 29 | 1 | 382318237/0 | Axel | Axle | |
| 30 | 1 | 12604899/0 | Låsbricka | Crown Fastener | |
| 31 | 1 | 325547231/0 | Trombocyt | Plate | |
| 32 | 2 | 12735599/0 | Skruv | Screw | |
| 34 | 3 | 25670008/1 | Bricka | Washer | |
| 35 | 3 | 125510107/1 | Stift | Pin | |
| 36 | 3 | 12156602/0 | Mutter | Nut | |
| 37 | 3 | 12295200/0 | Mutter | Nut | |
| 38 | 3 | 25840012/0 | Stång | Tie Rod | |
| 39 | 3 | 12523060/0 | Bricka | Washer | |
| 41 | 3 | 24487998/0 | Låsnål | Cotter Pin | |
| 43 | 3 | 12156602/0 | Mutter | Nut | |
| 44 | 6 | 25670008/1 | Bricka | Washer | |





ESTATE GRAND TORNADO HST

| Pos. Fig. | Antal Quantity | Art No Part No | Benämning | Description | Anmärkning Notes |
|-----------|----------------|----------------|-----------------------|----------------------------|------------------|
| 1 | 1 | 382565069/0 | Plate, Black | Plate, Black | |
| 2 | 2 | 325033086/0 | Water Hose Connection | Water Hose Connection | |
| 3 | 2 | 19035000/0 | O ring | Or Ring | |
| 4 | 2 | 382207204/0 | Oljefilter | Flange Ass.Y | |
| 5 | 2 | 125020804/0 | Vevaxel | Shaft | |
| 6 | 4 | 119216047/0 | Kullager | Bearing | |
| 7 | 2 | 25160501/0 | Dammskydd | Dust Cover | |
| 8 | 2 | 12609260/0 | Seeger | Seeger | |
| 11 | 1 | 135061506/0 | Drivrem | Belt | |
| 12 | 2 | 25601571/0 | Remskiva | Pulley | |
| 13 | 2 | 12793102/0 | Skruv | Screw | |
| 14 | 2 | 12540260/0 | Bricka | Washer | |
| 15 | 2 | 25670007/0 | Bricka | Washer | |
| 16 | 2 | 12139480/0 | Kil | Feather | |
| 17 | 6 | 12818700/0 | Skruv | Screw | |
| 18 | 6 | 12154210/0 | Mutter | Nut | |
| 19 | 2 | 325160505/0 | Plate | Plate | |
| 21 | 1 | 12691800/0 | Skruv | Screw | |
| 22 | 1 | 12524010/0 | Bricka | Washer | |
| 23 | 1 | 12610800/0 | Seegerring | Seeger | |
| 24 | 1 | 119216048/0 | Kullager | Bearing | |
| 25 | 1 | 125601586/0 | Remskiva | Pulley | |
| 26 | 1 | 125160056/0 | Distans | Spacer | |
| 27 | 1 | 325318255/0 | Spak | Lever | |
| 28 | 1 | 12293201/0 | Mutter | Nut | |
| 29 | 1 | 12155020/0 | Mutter | Nut | |
| 30 | 1 | 125670022/0 | Bricka | Washer | |
| 31 | 1 | 125040635/0 | Bussning | Bush | |
| 32 | 1 | 382004619/0 | Kabel | Wire | |
| 33 | 1 | 125160057/0 | Distans | Spacer | |
| 34 | 1 | 12523080/0 | Bricka | Washer | |
| 35 | 1 | 12156602/0 | Mutter | Nut | |
| 36 | 1 | 118399062/0 | Koppling | Clutch | |
| 37 | 1 | 12543000/0 | Bricka | Washer | |
| 38 | 1 | 12737320/0 | Skruv | Screw | |
| 39 | 1 | 22430216/0 | Fjäder | Spring | |
| 41 | 2 | 12692050/0 | Skruv | Screw | |
| 42 | 2 | 12523060/0 | Bricka | Washer | |
| 43 | 2 | 25510072/0 | Distans | Spacer | |
| 44 | 2 | 82700001/0 | Stödhjul | Anti Scalp Wheel Ø 100 | |
| 45 | 2 | 12293201/0 | Mutter | Nut | |
| 46 | 1 | 325547259/0 | Trådbygel | Stiffening | |
| 47 | 5 | 12815200/0 | Skruv | Screw | |
| 48 | 5 | 12154510/0 | Mutter | Nut | |
| 51 | 2 | 382000565/0 | Equalizer Rod | Equalizer Rod | |
| 52 | 8 | 25670008/1 | Bricka | Washer | |
| 53 | 4 | 12156602/0 | Mutter | Nut | |
| 61 | 2 | 12735694/0 | Skruv | Screw | |
| 62 | 2 | 12523080/0 | Bricka | Washer | |
| 63 | 2 | 22160400/0 | Dammskydd | Dust Cover | |
| 64 | 2 | 182004357/0 | Kniv | Right Blade Mulching | |
| 65 | 2 | 25463200/0 | Knivfäste | Blade Hub | |
| 66 | 2 | 12139100/0 | Kil | Feather, Crankshaft Ø 22.2 | |

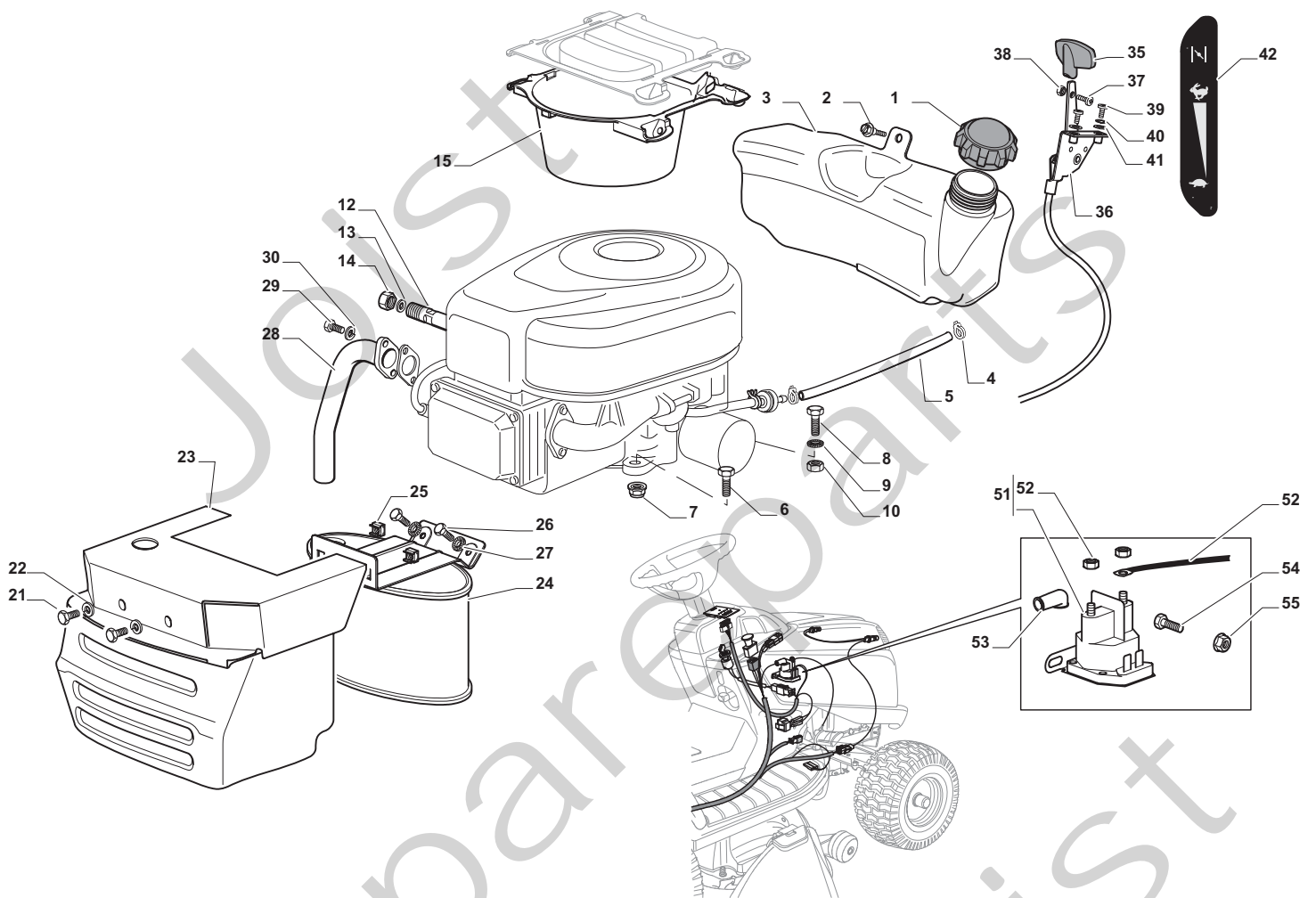




ESTATE GRAND TORNADO HST

| Pos. Fig. | Antal Quantity | Art No Part No | Benämning | Description | Anmärkning Notes |
|-----------|----------------|----------------|---------------|-----------------|------------------|
| 1 | 1 | 325600087/0 | Avsluta Skydd | Exit Protection | |
| 2 | 1 | 25510073/0 | Stift | Pin | |
| 3 | 1 | 125430242/1 | Fjäder | Spring | |
| 4 | 1 | 12141418/0 | Bricka | Washer | |
| 11 | 1 | 325600088/0 | Hus | Case | |
| 12 | 4 | 125943006/0 | Skruv | Screw | |
| 13 | 1 | 325600089/0 | Hus | Case | |

ESTATE GRAND TORNADO HST

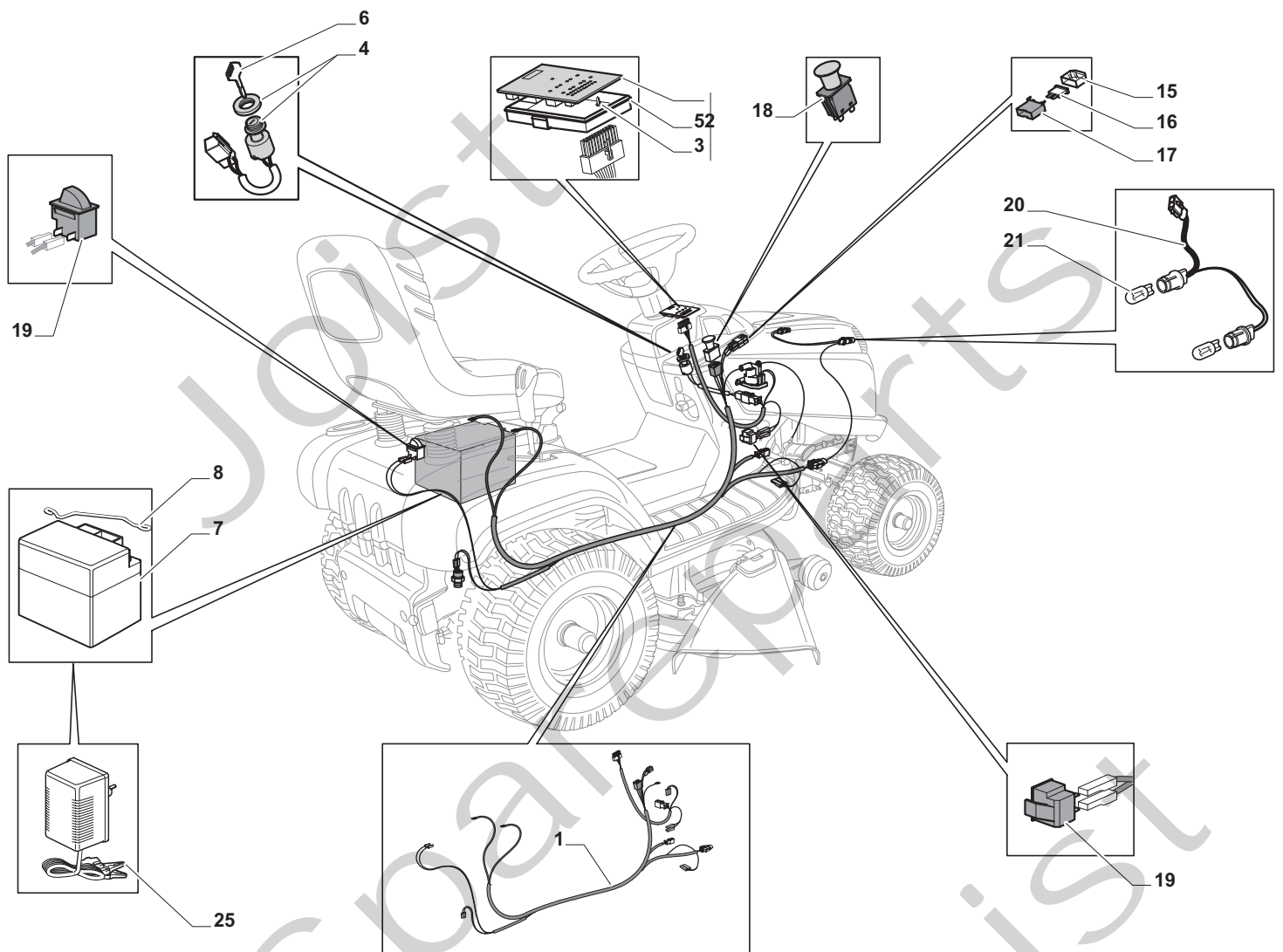




ESTATE GRAND TORNADO HST

| Pos. Fig. | Antal Quantity | Art No Part No | Benämning | Description | Anmärkning Notes |
|-----------|----------------|----------------|-------------------------|---------------------------|------------------|
| 1 | 1 | 25795001/1 | Lock | Cap | |
| 2 | 4 | 125943010/0 | Skruv | Screw | |
| 3 | 1 | 325735126/0 | Tank | Tank | |
| 4 | 2 | 18375051/1 | Slangklämma | Fair Led | |
| 5 | 1 | 25869057/0 | Vevstake | Connecting Tube (1000 Mm) | |
| 6 | 3 | 112735108/1 | Skruv | Screw | |
| 7 | 3 | 12154210/0 | Mutter | Nut | |
| 8 | 1 | 12691115/0 | Skruv | Left Screw | |
| 9 | 1 | 12540260/0 | Bricka | Washer | |
| 10 | 1 | 12154210/0 | Mutter | Nut | |
| 12 | 1 | 25598050/0 | Oil Discharge Extension | Oil Discharge Extension | |
| 13 | 1 | 18401001/1 | Tätningring | Oil Seal | |
| 14 | 1 | 18737849/0 | Lock | Oil Cap | |
| 15 | 1 | 325108044/1 | Inmatningstratt | Conveyor | |
| 21 | 2 | 12792611/0 | Skruv | Screw | |
| 22 | 2 | 12540260/0 | Bricka | Washer | |
| 23 | 1 | 382598047/0 | Ljuddämparskydd | Muffler Protection | |
| 24 | 1 | 182750010/0 | Ljuddämpare | Muffler | |
| 25 | 2 | 12360425/0 | Mutter | Nut | |
| 26 | 2 | 12792611/0 | Skruv | Screw | |
| 27 | 2 | 12540260/0 | Bricka | Washer | |
| 28 | 1 | 18738206/0 | Avgasrör | Exhaust Tube | |
| 29 | 2 | 12737450/0 | Skruv | Screw | |
| 30 | 2 | 12540260/0 | Bricka | Washer | |
| 35 | 1 | 325394531/0 | Knopp | Knob | |
| 36 | 1 | 82000200/1 | Gasreglage | Accelerator | |
| 37 | 1 | 112726389/0 | Skruv | Screw | |
| 38 | 1 | 12290800/0 | Mutter | Nut | |
| 39 | 2 | 112726389/0 | Skruv | Screw | |
| 40 | 2 | 12540020/0 | Bricka | Washer | |
| 41 | 2 | 12521310/0 | Bricka | Washer | |
| 42 | 1 | 114363697/0 | Dekal | Label | |
| 51 | 1 | 18736111/0 | Starter Relay | Starter Relay | |
| 52 | 2 | 12360352/0 | Mutter | Nut | |
| 53 | 1 | 25065002/0 | Kabel | Cable | |
| 54 | 1 | 18564864/1 | Tätningshylsa | Protection | |
| 55 | 1 | 12790781/0 | Skruv | Screw | |
| 56 | 2 | 12154510/0 | Mutter | Nut | |

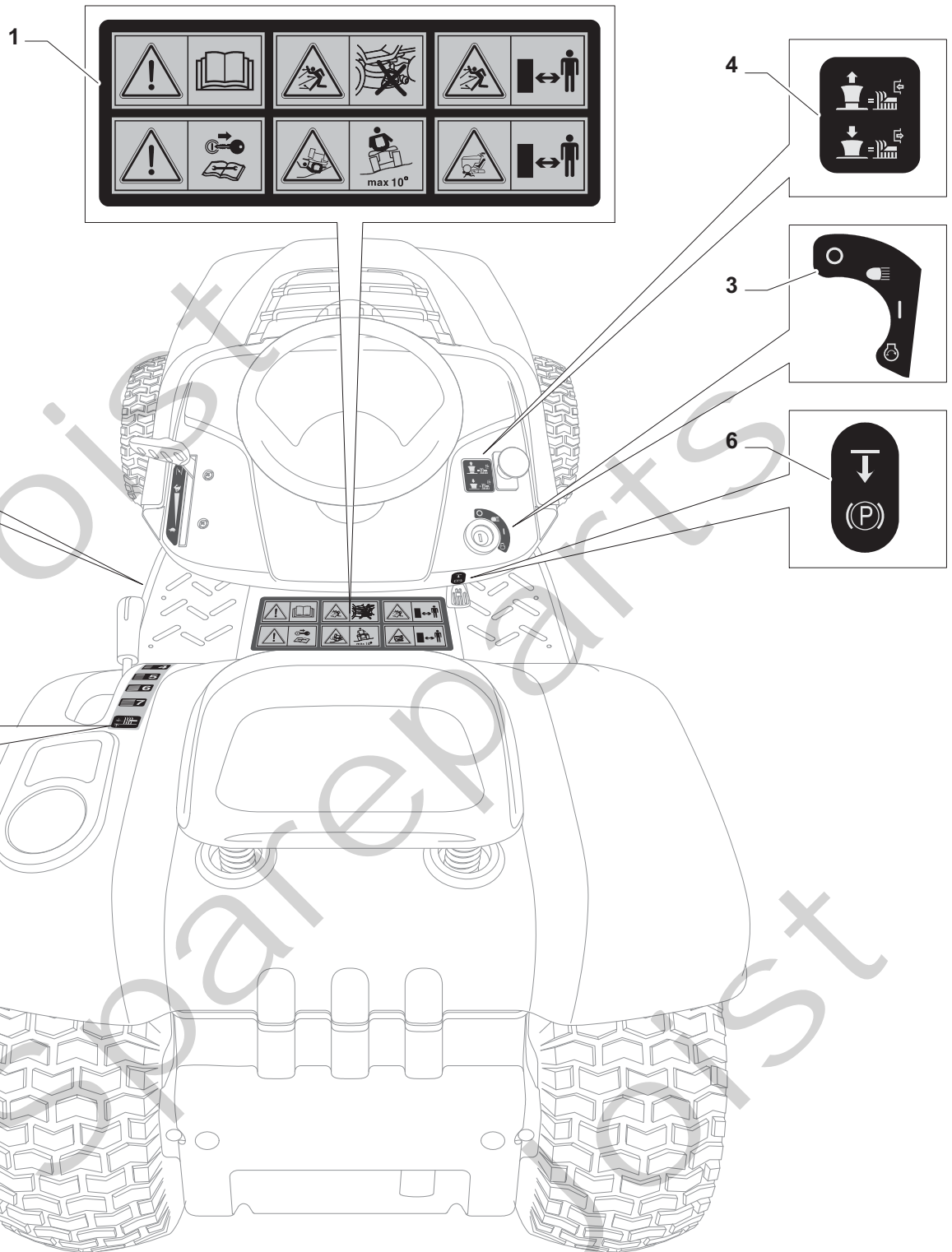
ESTATE GRAND TORNADO HST





ESTATE GRAND TORNADO HST

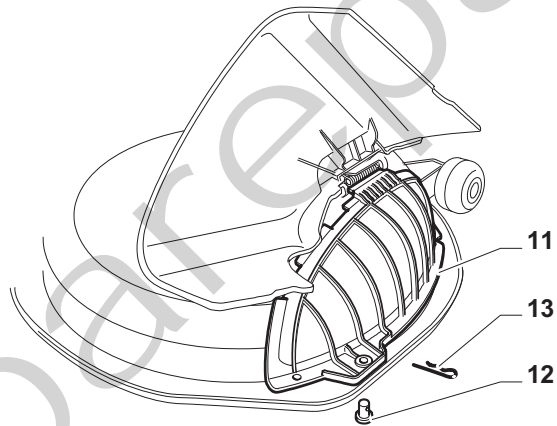
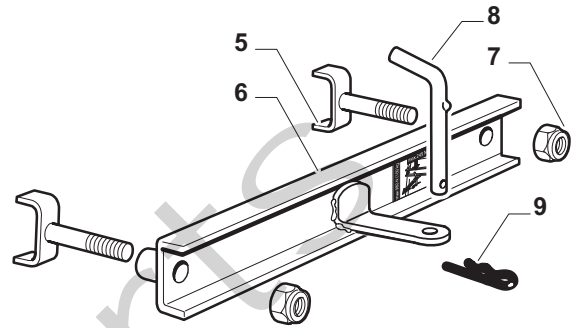
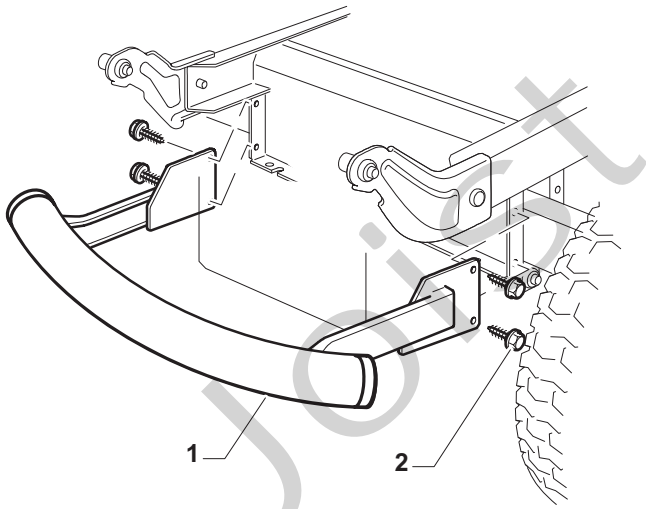
| Pos. Fig. | Antal Quantity | Art No Part No | Benämning | Description | Anmärkning Notes |
|-----------|----------------|----------------|---------------------|---------------------|------------------|
| 1 | 1 | 182040158/0 | Kabel | Cables Ass.Y | |
| 2 | 1 | 382722429/0 | Elektroniska kort | Electronic Card | |
| 3 | 1 | 12735101/0 | Skruv | Screw | |
| 4 | 1 | 118450075/0 | Brytare | Starting Switch | |
| 5 | 1 | 325600080/0 | Skydd Kort | Card Protection | |
| 6 | 1 | 118210023/0 | Startnyckeln | Starting Key | |
| 7 | 1 | 18120002/1 | Batteri | Battery | |
| 8 | 1 | 125430265/0 | Fjäder | Spring | |
| 15 | 2 | 33215000/0 | Kåpa | Cover | |
| 16 | 1 | 33340036/0 | Säkring | Fuse 25 A | |
| 16 | 1 | 33340040/0 | Säkring | Fuse 10A | |
| 17 | 2 | 33500007/0 | Säkring | Fuse Carrier | |
| 18 | 1 | 118450074/0 | Brytare | Clutch Switch | |
| 19 | 2 | 119410613/0 | Brytare | Micro | |
| 20 | 1 | 82040073/0 | Kabel | Cable | |
| 21 | 2 | 18459100/0 | Farilamp For Lights | Farilamp For Lights | |
| 25 | 1 | 182180090/0 | Batteriladdare | Battery Charger | |





ESTATE GRAND TORNADO HST

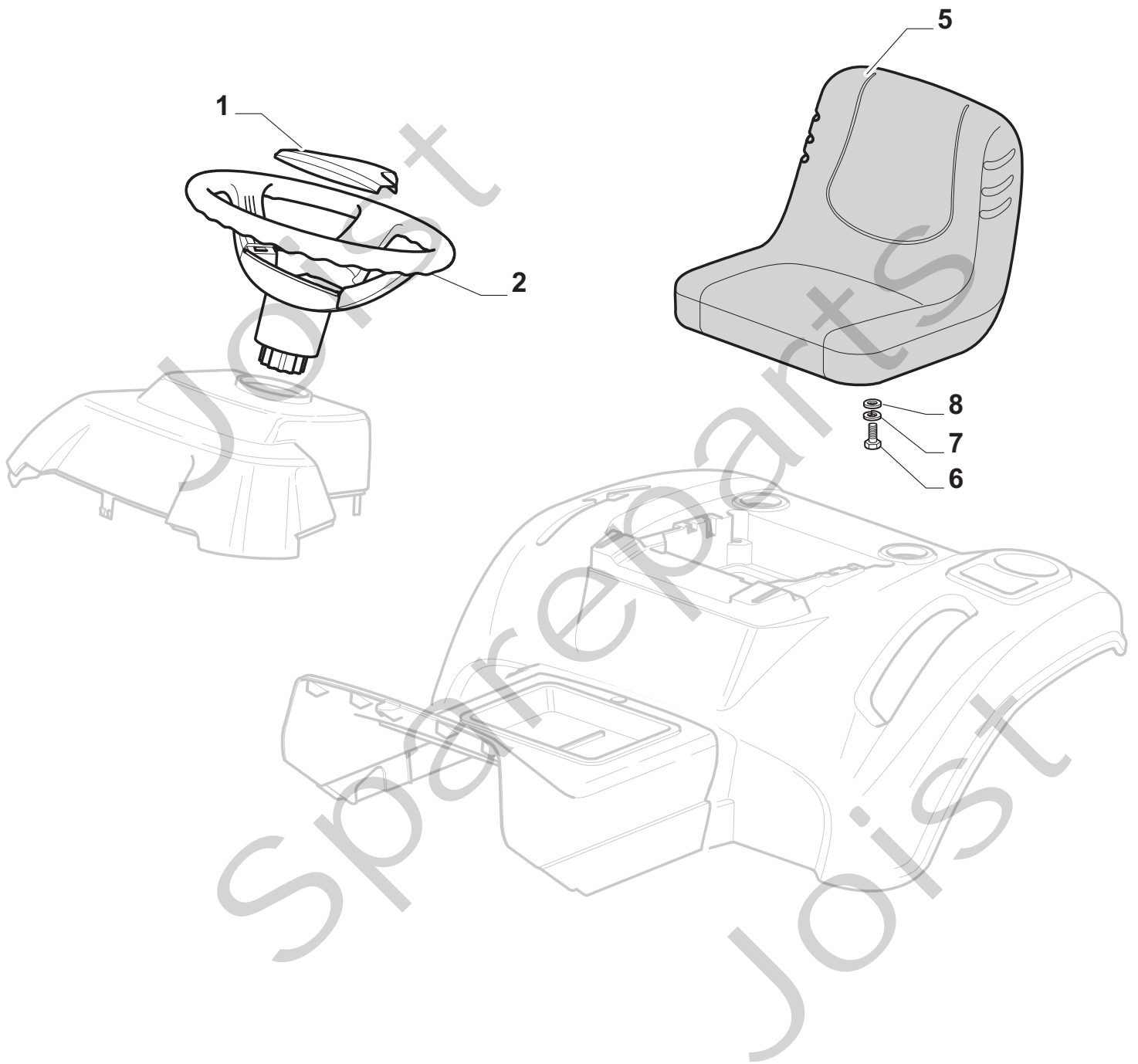
| Pos. Fig. | Antal Quantity | Art No Part No | Benämning | Description | Anmärkning Notes |
|-----------|----------------|----------------|-----------|-------------|------------------|
| 1 | 1 | 114362365/1 | Dekal | Label | |
| 3 | 1 | 114363699/0 | Dekal | Label | |
| 4 | 1 | 14361438/0 | Dekal | Label | |
| 5 | 1 | 114363701/0 | Dekal | Label | |
| 6 | 1 | 114363700/0 | Dekal | Label | |
| 8 | 1 | 114356699/1 | Dekal | Label | |





ESTATE GRAND TORNADO HST

| Pos. Fig. | Antal Quantity | Art No Part No | Benämning | Description | Anmärkning Notes |
|-----------|----------------|----------------|-----------------|--------------------|------------------|
| 1 | 1 | 382869038/0 | Ljuddämparskydd | Muffler Protection | |
| 2 | 4 | 125943008/0 | Skruv | Screw | |
| 5 | 2 | 382650211/0 | Trådbygel | Stiffening | |
| 6 | 1 | 382033111/0 | Stång | Rod | |
| 7 | 2 | 12155000/0 | Mutter | Nut | |
| 8 | 1 | 25510021/1 | Stift | Pin | |
| 9 | 1 | 24487999/0 | Låsnål | Cotter Pin | |
| 11 | 1 | 325140101/0 | Deflektor | Deflector | |
| 12 | 1 | 125510111/0 | Stift | Pin | |
| 13 | 1 | 24487998/0 | Låsnål | Cotter Pin | |





ESTATE GRAND TORNADO HST

| Pos. Fig. | Antal Quantity | Art No Part No | Benämning | Description | Anmärkning Notes |
|-----------|----------------|----------------|----------------|----------------|------------------|
| 1 | 1 | 325580504/0 | Steering Plate | Steering Plate | |
| 2 | 1 | 325961219/0 | Rott | Steering Wheel | |
| 5 | 1 | 25722463/0 | Seat | Seat | |
| 6 | 4 | 12792611/0 | Skruv | Screw | |
| 7 | 4 | 12540260/0 | Bricka | Washer | |
| 8 | 4 | 12523060/0 | Bricka | Washer | |