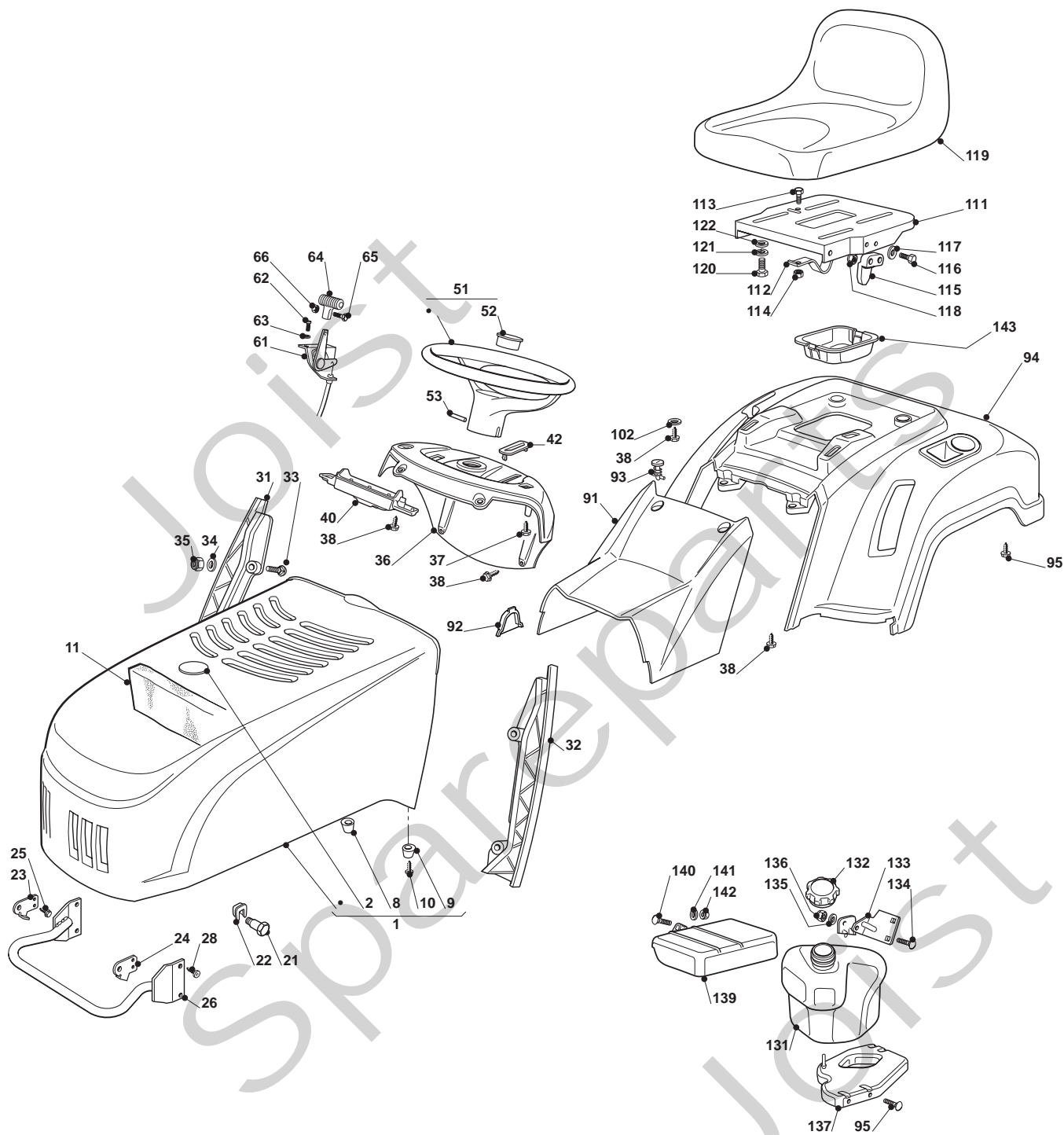


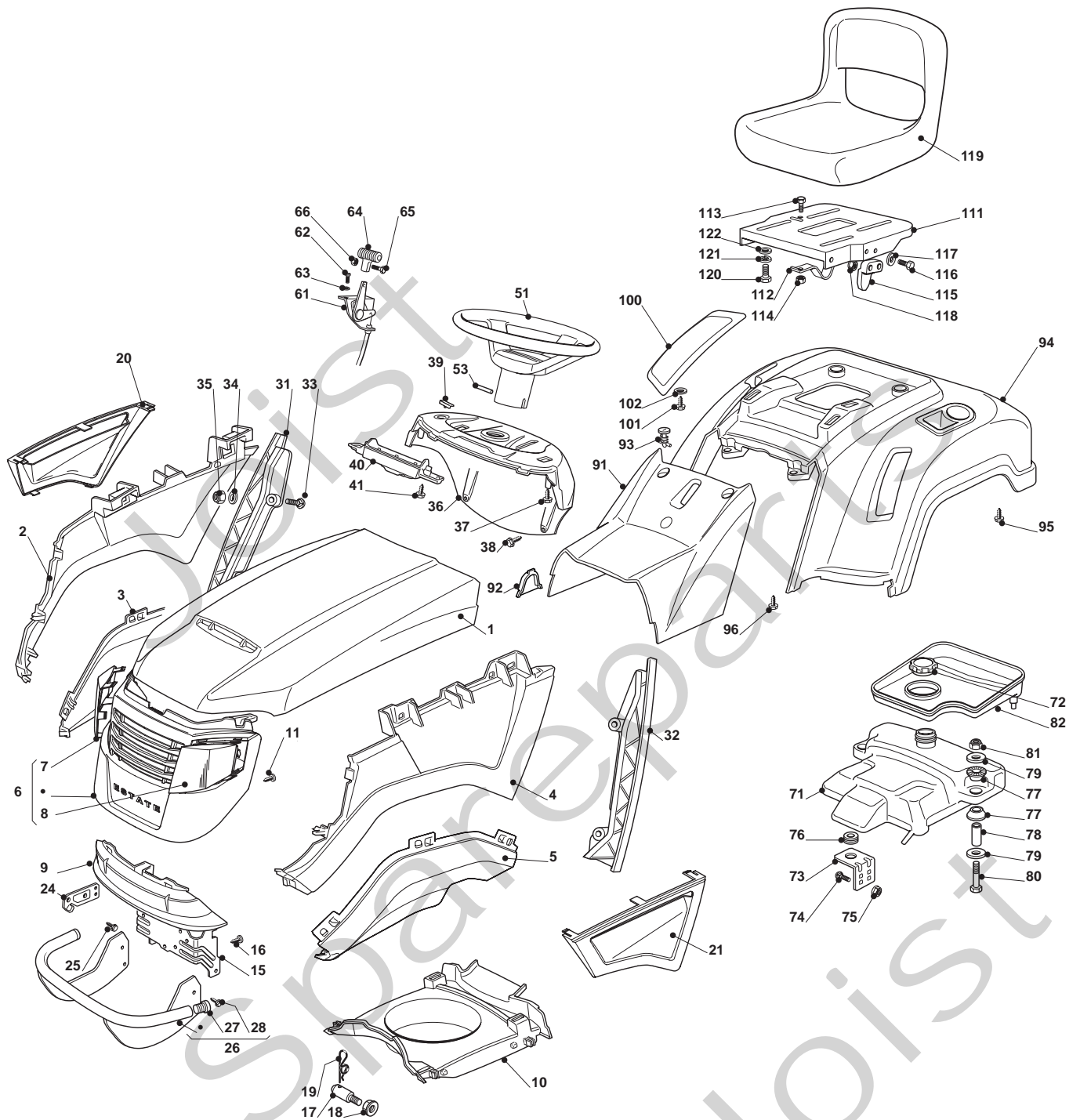
Genuine Spare Parts



Spareparts
Joist



| Utgåva Issue | | Bildnr Picture No | | ESTATE BASIC KAROSS | | ESTATE BASIC BODY WORK | | Sida Page | |
|-----------------|----------------|----------------------|--|------------------------|-------------------|---------------------------|-----------------------------|--------------|---------------------|
| 2008- 13 | | 2451 | | | | | | 58 | |
| Pos. Fig. | Antal/Quantity | | | | Art nr Part No | Benämning | Description | Sats Kit | Anmärkning Notes |
| | 2570 | | | | | | | | |
| | 1 | 1 | | | 82076935/0 | Motorhuv- gul | Engine hood- yellow | | Inkl. pos 2, 8- 10 |
| | 2 | 1 | | | 25547105/0 | • Platta- gul | • Plate- yellow | | |
| | 8 | 1 | | | 25580012/0 | • Styrpinne- hö | • Guide pin- RH | | |
| | 9 | 1 | | | 25580013/0 | • Styrpinne- vä | • Guide pin- LH | | |
| | 10 | 2 | | | 12727356/0 | • Skruv | • Screw | | |
| | 11 | 1 | | | 25730005/1 | Avskiljare | Intake separator | | |
| | 21 | 2 | | | 25510045/0 | Bult | Pin | | |
| | 22 | 2 | | | 12436050/0 | Låsplatta | Plate | | |
| | 23 | 1 | | | 25547089/0 | Fästplatta- hö | Plate- RH | | |
| | 24 | 1 | | | 25547091/0 | Fästplatta- vä | Plate- LH | | |
| | 25 | 4 | | | 12731580/0 | Skruv | Screw | | |
| | 26 | 1 | | | 82869031/0 | Ljuddämparskydd | Muffler guard | | |
| | 28 | 4 | | | 12734995/0 | Skruv | Screw | | |
| | 31 | 1 | | | 25599010/0 | Panelstöd- hö | Dashboard support- RH | | |
| | 32 | 1 | | | 25599011/0 | Panelstöd- vä | Dashboard support- LH | | |
| | 33 | 4 | | | 12815221/0 | Skruv | Screw | | |
| | 34 | 4 | | | 12521330/0 | Bricka | Washer | | |
| | 35 | 4 | | | 12154510/0 | Mutter | Nut | | |
| | 36 | 1 | | | 25120190/0 | Panel | Dashboard | | |
| | 37 | 2 | | | 12728440/0 | Skruv | Screw | | |
| | 38 | 8 | | | 12735402/0 | Skruv | Screw | | |
| | 40 | 1 | | | 25600074/0 | Kortskydd | Card protection | | |
| | 42 | 2 | | | 25547181/0 | Platta | Plate | | |
| | 51 | 1 | | | 25961201/0 | Ratt | Steering wheel | | |
| | 52 | 1 | | | 25120230/0 | • Propp | • Cap | Inkl. pos 52 | |
| | 53 | 1 | | | 12620299/0 | Stift | Pin | | |
| X | 61 | 1 | | | 18200212/0 | Gasreglage | Throttle control | | |
| | 62 | 2 | | | 12788512/0 | Skruv | Screw | | |
| | 63 | 2 | | | 12581200/0 | Bricka | Grower | | |
| | 64 | 1 | | | 25394501/0 | Handtag | Handle | | |
| | 65 | 1 | | | 12726388/0 | Skruv | Screw | | |
| | 66 | 1 | | | 12290800/0 | Mutter | Nut | | |
| X | 91 | 1 | | | 325110365/0 | Kåpa- gul | Cover- yellow | | |
| | 92 | 1 | | | 25207172/0 | Platta | Plate | | |
| | 93 | 2 | | | 25580020/0 | Sprint | Pivot | | |
| X | 94 | 1 | | | 325110367/0 | Hjulåpa- gul | Wheel cover- yellow | | |
| | 95 | 6 | | | 12735403/0 | Skruv | Screw | | |
| | 102 | 4 | | | 12523050/0 | Bricka | Washer | | |
| | 111 | 1 | | | 25547033/1 | Sitsplatta | Seat plate | | |
| | 112 | 1 | | | 25430223/2 | Fjäder | Spring | | |
| | 113 | 1 | | | 12789000/0 | Skruv | Screw | | |
| | 114 | 1 | | | 12154330/0 | Mutter | Nut | | |
| | 115 | 1 | | | 27063021/1 | Kam | Cam | | |
| | 116 | 2 | | | 12789100/0 | Skruv | Screw | | |
| | 117 | 2 | | | 12523020/0 | Bricka | Washer | | |
| | 118 | 2 | | | 12154330/0 | Mutter | Nut | | |
| X | 119 | 1 | | | 125722470/0 | Sits | Seat | | |
| | 120 | 4 | | | 12793101/0 | Skruv | Screw | | |
| | 121 | 4 | | | 12583500/0 | Låsbricka | Washer | | |
| | 122 | 4 | | | 12523060/0 | Bricka | Washer | | |
| X | 131 | 1 | | | 325735124/0 | Tank | Fuel tank | | |
| | 132 | 1 | | | 25795001/1 | Tanklock | Fuel tank cap | | |
| X | 133 | 1 | | | 325785291/0 | Stöd | Support | | |
| X | 134 | 1 | | | 12789195/0 | Skruv | Screw | | |
| | 135 | 1 | | | 12581500/0 | Låsbricka | Washer | | |
| | 136 | 1 | | | 12437503/0 | Låsplatta | Plate | | |
| X | 137 | 1 | | | 325785289/0 | Stöd | Support | | |
| X | 139 | 1 | | | 325600075/0 | Skydd | Guard | | |
| | 140 | 1 | | | 12815240/0 | Skruv | Screw | | |
| | 141 | 1 | | | 12581500/0 | Låsbricka | Washer | | |
| | 142 | 1 | | | 12437503/0 | Låsplatta | Plate | | |
| X | 143 | 1 | | | 325207176/0 | Kåpa | Cover | | |



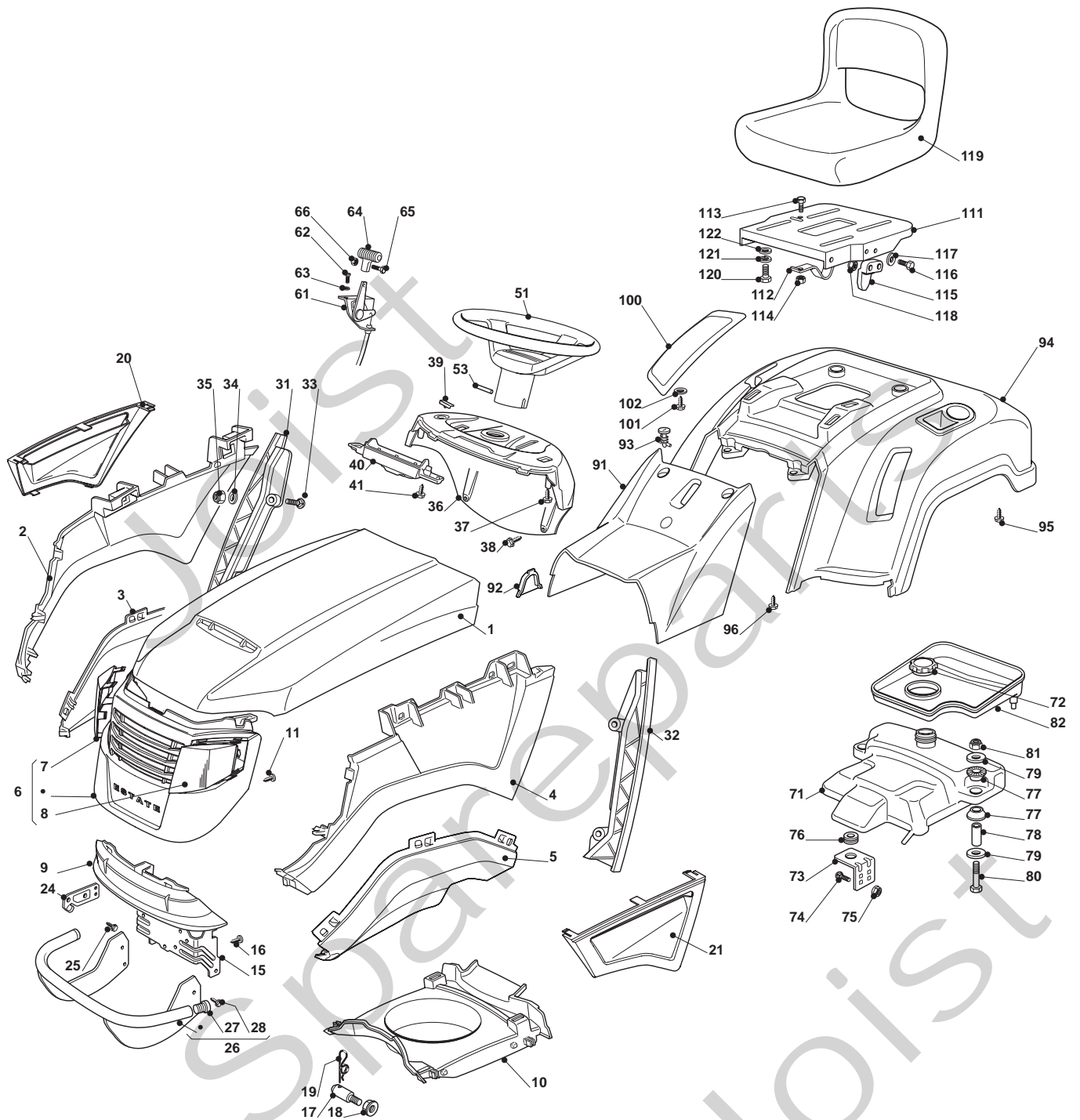
| Utgåva Issue | | Bildnr Picture No | | ESTATE TORNADO KAROSS | | ESTATE TORNADO BODY WORK | | Sida Page | |
|-----------------|----------------|----------------------|--|--------------------------|------------------------------|------------------------------|-------------|---------------------|--|
| 2008- 13 | | 2452 | | | | | | 60 | |
| Pos. Fig. | Antal/Quantity | | | Art nr Part No | Benämning | Description | Sats Kit | Anmärkning Notes | |
| | 2539 | 2538 | | | | | | | |
| 1 | 1 | 1 | | 25076866/0 | Motorhuv- övre, gul | Engine hood- upper, ye..... | | | |
| 2 | 1 | 1 | | 25207131/0 | Huv- övre hö, gul | Hood- upper RH, yellow | | | |
| 3 | 1 | 1 | | 25207137/0 | Huv- undre hö, grå..... | Hood- lower RH, grey..... | | | |
| 4 | 1 | 1 | | 25207133/0 | Huv- övre vä, gul..... | Hood- upper LH, yellow..... | | | |
| 5 | 1 | 1 | | 25207136/0 | Huv- undre vä, grå..... | Hood- lower LH, grey..... | | | |
| 6 | 1 | 1 | | 82394610/0 | Huv- främre, grå..... | Hood- front, grey..... | | | |
| 7 | 1 | 1 | | 25410876/0 | • Skydd- hö | • Grill- RH | | | |
| 8 | 1 | 1 | | 25410877/0 | • Skydd- vä..... | • Grill- LH..... | | | |
| 9 | 1 | 1 | | 25076865/0 | Huv- främre undre, grå | Hood- front lower, gre..... | | | |
| 10 | 1 | 1 | | 25108031/0 | Luffledare | Air conveyer..... | | | |
| 11 | 6 | 6 | | 12735403/0 | Skruv | Screw..... | | | |
| 15 | 1 | 1 | | 25774301/1 | Huvstöd..... | Engine hood support..... | | | |
| 16 | 5 | 5 | | 12735403/0 | Skruv..... | Screw..... | | | |
| 17 | 2 | 2 | | 25510079/0 | Sprint..... | Pin | | | |
| 18 | 2 | 2 | | 12293201/0 | Mutter..... | Nut | | | |
| 19 | 2 | 2 | | 24487998/0 | Låsnål..... | Hair pin | | | |
| 20 | 1 | 1 | | 25207135/0 | Kåpa- hö, grå..... | Cover- RH, grey..... | | | |
| 21 | 1 | 1 | | 25207134/0 | Kåpa- vä, grå..... | Cover- LH, grey..... | | | |
| 24 | 2 | 2 | | 25547159/0 | Platta | Plate..... | | | |
| 25 | 4 | 4 | | 12731580/0 | Skruv | Screw..... | | | |
| 26 | 1 | 1 | | 82869027/0 | Ljuddämparskydd..... | Muffler guard | | | |
| 27 | 2 | 2 | | 18737860/0 | • Plugg | • Cap | | | |
| 28 | 4 | 4 | | 12734995/0 | • Skruv | • Screw | | | |
| 31 | 1 | 1 | | 25599010/0 | Panelstöd- hö..... | Dashboard support- RH | | | |
| 32 | 1 | 1 | | 25599011/0 | Panelstöd- vä..... | Dashboard support- LH..... | | | |
| 33 | 4 | 4 | | 12815221/0 | Skruv | Screw..... | | | |
| 34 | 4 | 4 | | 12521330/0 | Bricka..... | Washer..... | | | |
| 35 | 4 | 4 | | 12154510/0 | Mutter..... | Nut | | | |
| 36 | 1 | 1 | | 25120190/0 | Panel | Dashboard | | | |
| 37 | 2 | 2 | | 12728440/0 | Skruv | Screw..... | | | |
| 38 | 2 | 2 | | 12735402/0 | Skruv | Screw..... | | | |
| 39 | 2 | 2 | | 25260000/0 | Skydd | Grommet..... | | | |
| 40 | 1 | 1 | | 25600074/0 | Kortskydd | Card protection | | | |
| 41 | 2 | 2 | | 12735402/0 | Skruv | Screw..... | | | |
| 51 | 1 | 1 | | 25961209/0 | Ratt..... | Steering wheel | | | |
| 53 | 1 | 1 | | 12620299/0 | Stift..... | Pin | | | |
| 61 | 1 | 1 | | 182000212/0 | Gasreglage..... | Throttle control | | | |
| 62 | 2 | 2 | | 12788512/0 | Skruv | Screw..... | | | |
| 63 | 2 | 2 | | 12581200/0 | Bricka..... | Grower | | | |
| 64 | 1 | 1 | | 25394501/0 | Handtag | Handle..... | | | |
| 65 | 1 | 1 | | 12726388/0 | Skruv | Screw..... | | | |
| 66 | 1 | 1 | | 12290800/0 | Mutter..... | Nut | | | |
| 71 | 1 | 1 | | 25735123/0 | Bränsletank..... | Fuel tank | | | |
| 72 | 1 | 1 | | 25795001/1 | Tanklock | Fuel tank cap..... | | | |
| 73 | 1 | 1 | | 25785259/0 | Fäste | Support..... | | | |
| 74 | 2 | 2 | | 12815200/0 | Skruv | Screw..... | | | |
| 75 | 2 | 2 | | 12292102/0 | Mutter..... | Nut | | | |
| 76 | 1 | 1 | | 18564522/0 | Gummihylsa | Grommet..... | | | |
| 77 | 4 | 4 | | 12712001/0 | Hylsa | Grommet..... | | | |
| 78 | 2 | 2 | | 25040625/0 | Bussning | Bushing..... | | | |
| 79 | 4 | 4 | | 12523070/0 | Bricka..... | Washer..... | | | |
| 80 | 2 | 2 | | 12691400/0 | Skruv | Screw..... | | | |
| 81 | 2 | 2 | | 12155000/0 | Mutter..... | Nut | | | |
| 82 | 1 | 1 | | 25600073/0 | Skydd | Guard | | | |
| 91 | 1 | 1 | | 25110325/0 | Kåpa- gul | Cover- yellow | | | |
| 92 | 1 | 1 | | 25207172/0 | Platta | Plate..... | | | |
| 93 | 2 | 2 | | 25580020/0 | Sprint..... | Pivot..... | | | |
| 94 | 1 | 1 | | 325110367/0 | Hjulååpa- gul..... | Wheel cover- yellow | | | |
| 95 | 2 | 2 | | 12735403/0 | Skruv | Screw..... | | | |
| 96 | 2 | 2 | | 12735402/0 | Skruv | Screw..... | | | |
| 100 | | 1 | | 25207171/0 | Kåpa | Cover | | | |
| 101 | 2 | 2 | | 12735402/0 | Skruv | Screw..... | | | |
| 102 | 4 | 4 | | 12523050/0 | Bricka | Washer..... | | | |

Inkl. pos 7-8

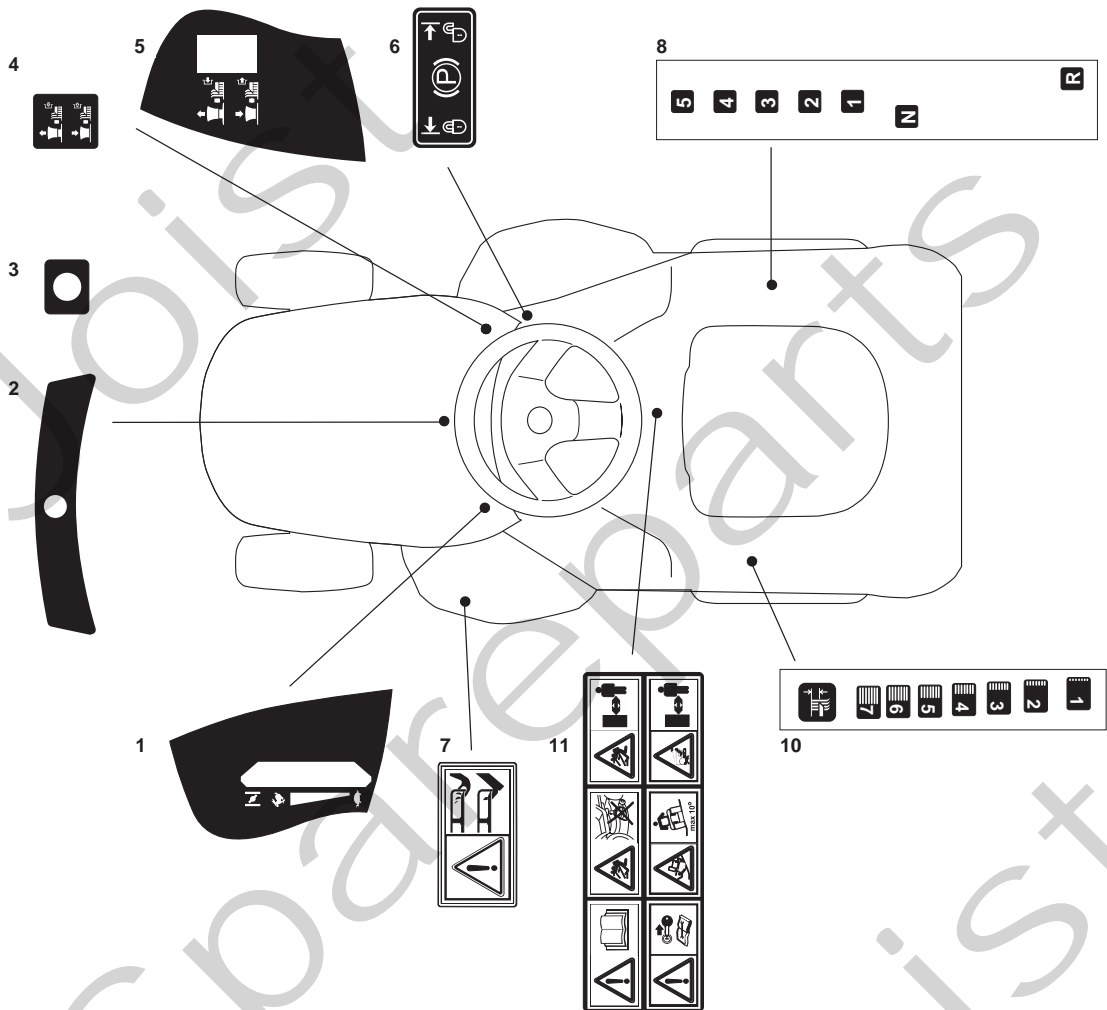
Inkl. pos 27 - 28

X

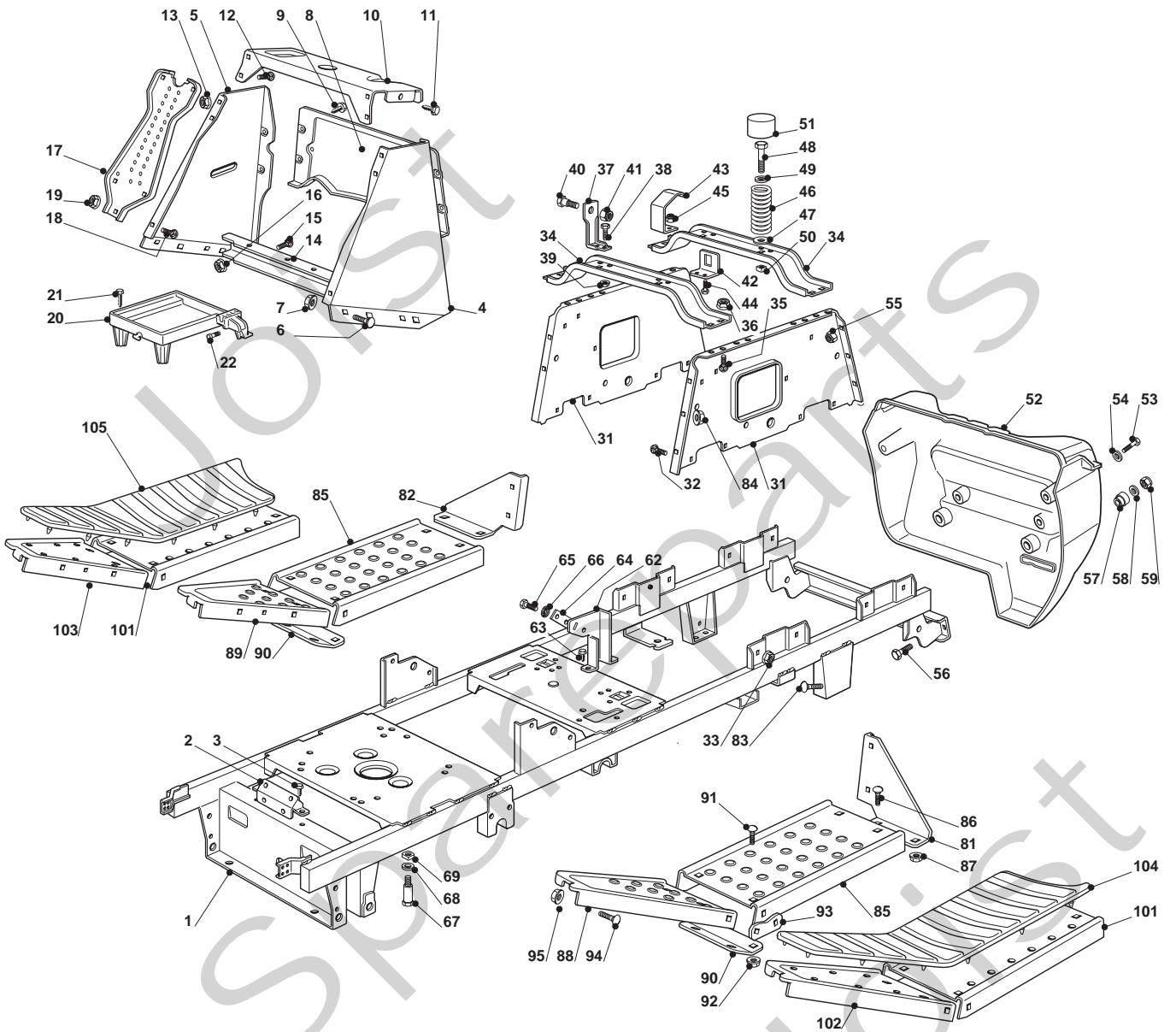
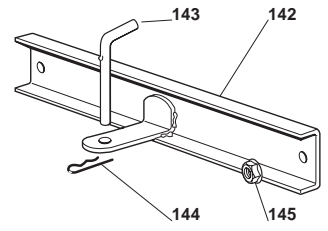
X



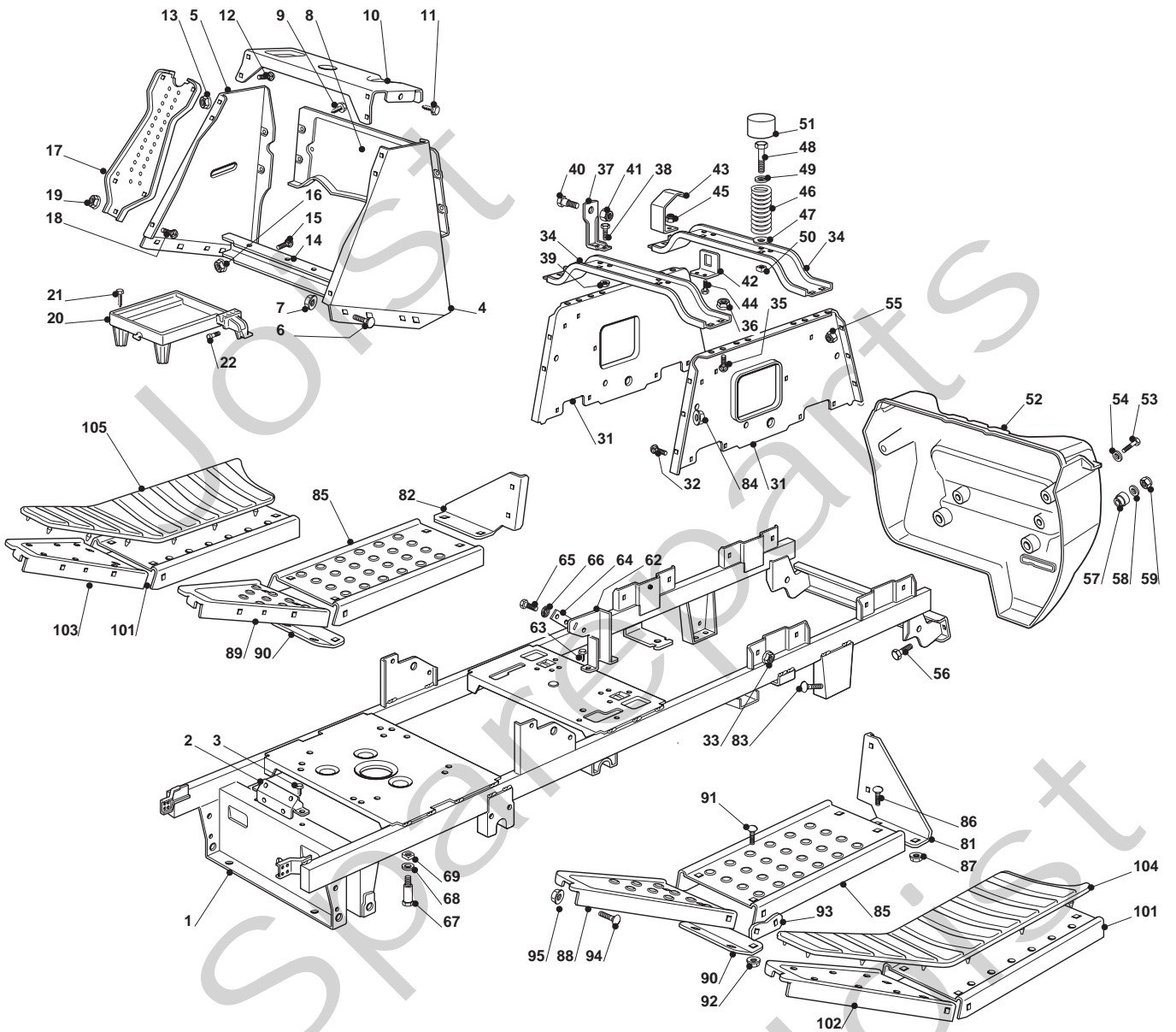
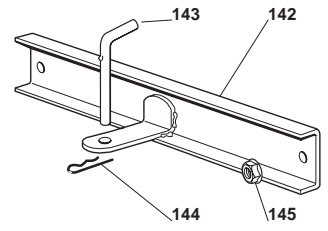
| Utgåva Issue | | Bildnr Picture No | | ESTATE TORNADO KAROSS | | ESTATE TORNADO BODY WORK | | Sida Page | |
|-----------------|----------------|----------------------|--|--------------------------|------------------|-----------------------------|-------------|---------------------|--|
| 2008- 13 | | 2452 | | | | | | 62 | |
| Pos. Fig. | Antal/Quantity | | | Art nr Part No | Benämning | Description | Sats Kit | Anmärkning Notes | |
| | 2539 | 2538 | | | | | | | |
| 111 | 1 | 1 | | 25547033/1 | Sitsplatta | Seat plate | | | |
| 112 | 1 | 1 | | 25430223/2 | Fjäder..... | Spring | | | |
| 113 | 1 | 1 | | 12789000/0 | Skruv..... | Screw..... | | | |
| 114 | 1 | 1 | | 12154330/0 | Mutter..... | Nut | | | |
| 115 | 1 | 1 | | 27063021/1 | Kam | Cam | | | |
| 116 | 2 | 2 | | 12789100/0 | Skruv..... | Screw..... | | | |
| 117 | 2 | 2 | | 12523020/0 | Bricka | Washer..... | | | |
| 118 | 2 | 2 | | 12154330/0 | Mutter..... | Nut | | | |
| 119 | 1 | 1 | | 25722456/0 | Sits | Seat..... | | | |
| 120 | 4 | 4 | | 12793101/0 | Skruv..... | Screw..... | | | |
| 121 | 4 | 4 | | 12583500/0 | Låsbricka..... | Washer..... | | | |
| 122 | 4 | 4 | | 12523060/0 | Bricka | Washer..... | | | |



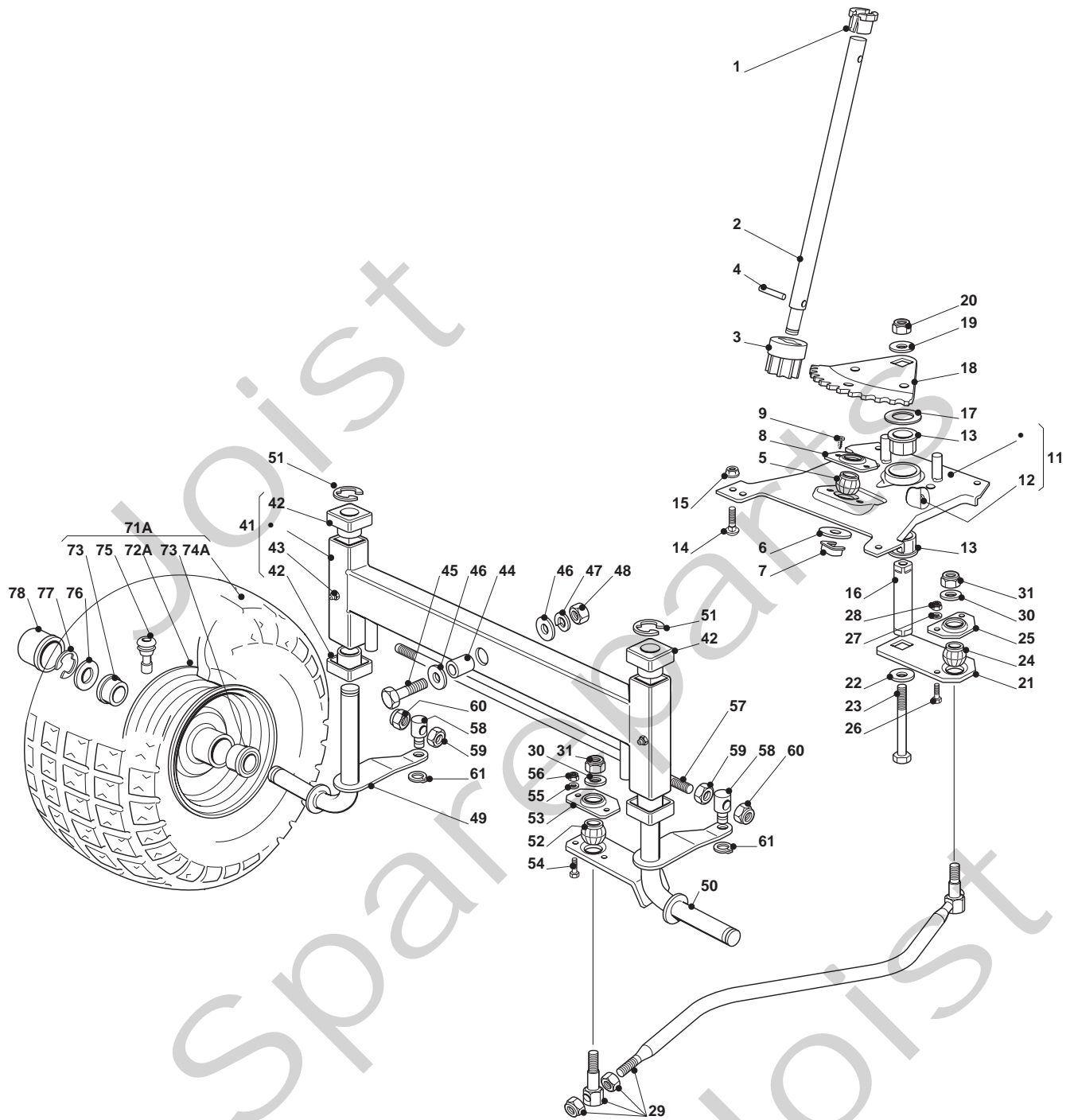
| Utgåva Issue 2008- 13 | | Bildnr Picture No 2453 | | ESTATE BASIC ESTATE TORNADO DEKALER | | ESTATE BASIC ESTATE TORNADO LABELS | | Sida Page 64 | |
|-----------------------------|----------------|------------------------------|------|---|-------------|--|-------------|---------------------|--|
| Pos. Fig. | Antal/Quantity | | | Art nr Part No | Benämning | Description | Sats Kit | Anmärkning Notes | |
| | 2570 | 2539 | 2538 | | | | | | |
| 1 | 1 | 1 | 1 | 14361440/0 | Dekal | Label | | | |
| 2 | | 1 | 1 | 25420019/0 | Dekal | Label | | | |
| 3 | 1 | | | 25420018/0 | Dekal | Label | | | |
| 4 | 1 | 1 | 1 | 14361438/0 | Dekal | Label | | | |
| 5 | 1 | 1 | 1 | 14361439/0 | Dekal | Label | | | |
| 6 | 1 | 1 | 1 | 14361452/0 | Dekal | Label | | | |
| X 7 | 1 | 1 | 1 | 114356699/1 | Dekal | Label | | | |
| 8 | 1 | 1 | | 14361447/0 | Dekal | Label | | | |
| 10 | 1 | 1 | 1 | 14361441/0 | Dekal | Label | | | |
| X 11 | 1 | 1 | 1 | 114362365/0 | Dekal | Label | | | |



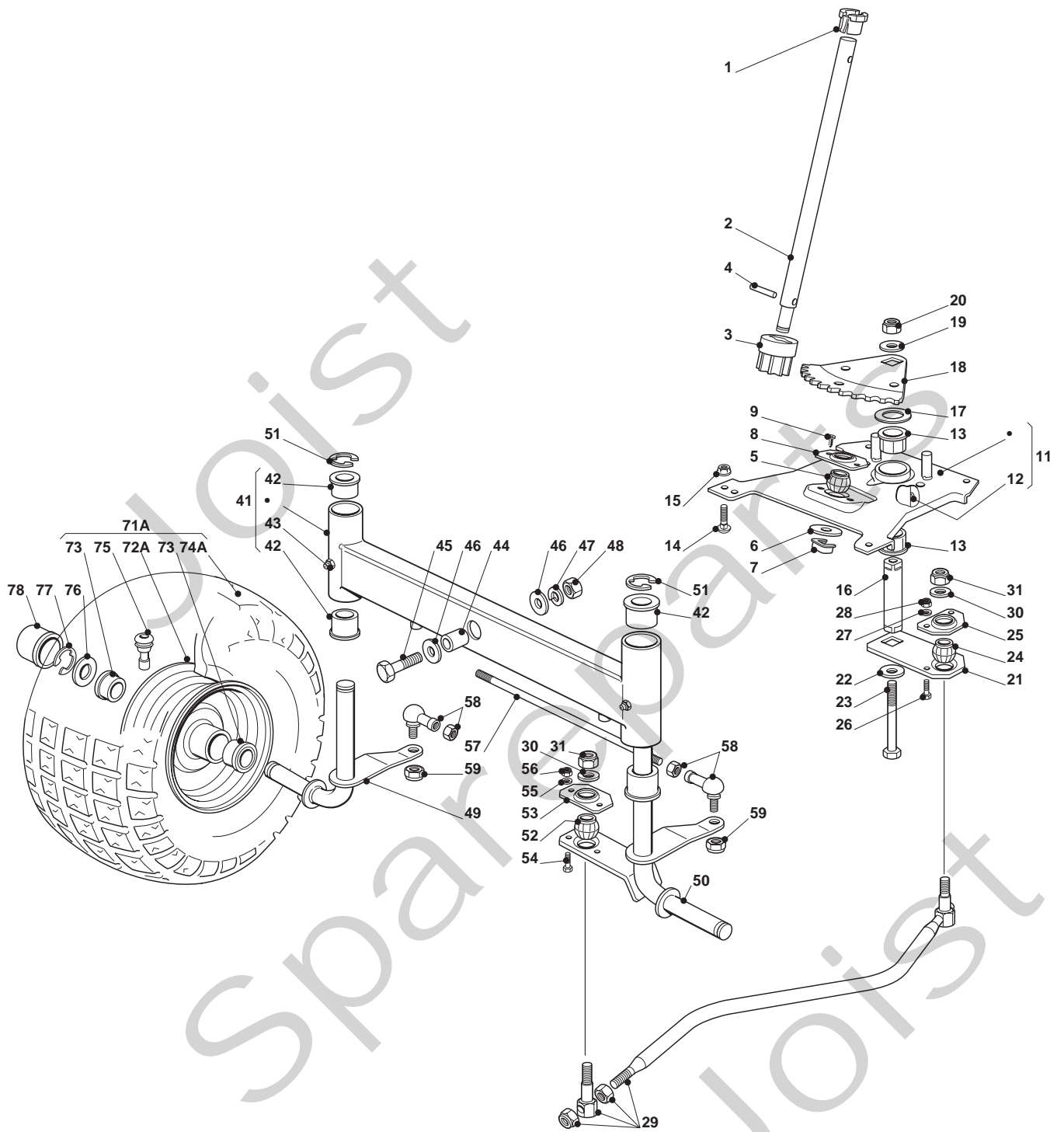
| Utgåva Issue 2008- 13 | | Bildnr Picture No 2454 | | ESTATE BASIC ESTATE TORNADO CHASSI | | ESTATE BASIC ESTATE TORNADO CHASSIS | | Sida Page 66 | |
|-----------------------------|----------------|------------------------------|------|--|------------------------|---|-------------|---------------------|--|
| Pos. Fig. | Antal/Quantity | | | Art nr Part No | Benämning | Description | Sats Kit | Anmärkning Notes | |
| | 2570 | 2539 | 2538 | | | | | | |
| X | 1 | 1 | 1 | 82800095/0 | Ram..... | Frame..... | | | |
| | 2 | 1 | 1 | 82774253/0 | Fäste..... | Clamp..... | | | |
| | 3 | 4 | 4 | 12735121/0 | Skruv..... | Screw..... | | | |
| | 4 | 1 | 1 | 325785243/1 | Panelstöd- vä..... | Dashboard support- LH..... | | | |
| | 5 | 1 | 1 | 25785245/0 | Panelstöd- hö..... | Dashboard support- RH..... | | | |
| | 6 | 4 | 4 | 12818690/0 | Skruv..... | Screw..... | | | |
| | 7 | 4 | 4 | 12293201/0 | Mutter..... | Nut..... | | | |
| X | 8 | 1 | 1 | 382785151/1 | Panelstöd- bakre..... | Dashboard support- rea..... | | | |
| | 9 | 4 | 4 | 12735110/0 | Skruv..... | Screw..... | | | |
| | 10 | 1 | 1 | 25785255/0 | Panelstöd- mitten..... | Dashboard support- cen..... | | | |
| | 11 | 2 | 2 | 12735110/0 | Skruv..... | Screw..... | | | |
| | 12 | 4 | 4 | 12815200/0 | Skruv..... | Screw..... | | | |
| | 13 | 4 | 4 | 12292102/0 | Mutter..... | Nut..... | | | |
| | 14 | 1 | 1 | 25785241/0 | Stöd..... | Support..... | | | |
| | 15 | 2 | 2 | 12815200/0 | Skruv..... | Screw..... | | | |
| | 16 | 2 | 2 | 12292102/0 | Mutter..... | Nut..... | | | |
| | 17 | 2 | 2 | 82785153/0 | Panelstöd- främre..... | Dashboard support- fro..... | | | |
| | 18 | 2 | 2 | 12815200/0 | Skruv..... | Screw..... | | | |
| | 19 | 2 | 2 | 12292102/0 | Mutter..... | Nut..... | | | |
| | 20 | 1 | 1 | 25785279/0 | Batteriplatå..... | Battery support..... | | | |
| | 21 | 4 | 4 | 12760490/0 | Skruv..... | Screw..... | | | |
| | 22 | 1 | 1 | 25510099/0 | Sprint..... | Pin..... | | | |
| | 31 | 2 | 2 | 25785249/0 | Sitsfäste..... | Seat support..... | | | |
| | 32 | 8 | 8 | 12815200/0 | Skruv..... | Screw..... | | | |
| | 33 | 8 | 8 | 12292102/0 | Mutter..... | Nut..... | | | |
| | 34 | 2 | 2 | 25785257/0 | Sitsstag..... | Seat support..... | | | |
| | 35 | 8 | 8 | 12818690/0 | Skruv..... | Screw..... | | | |
| | 36 | 8 | 8 | 12293201/0 | Mutter..... | Nut..... | | | |
| | 37 | 2 | 2 | 25755039/0 | Vinkelfäste..... | Angle bracket..... | | | |
| | 38 | 4 | 4 | 12792611/0 | Skruv..... | Screw..... | | | |
| | 39 | 4 | 4 | 12293201/0 | Mutter..... | Nut..... | | | |
| | 40 | 2 | 2 | 22524970/2 | Bult..... | Bolt..... | | | |
| | 41 | 2 | 2 | 12155010/0 | Mutter..... | Nut..... | | | |
| | 42 | 1 | 1 | 25755043/0 | Vinkelfäste..... | Angle bracket..... | | | |
| | 43 | 1 | 1 | 25430253/0 | Fjäder..... | Spring..... | | | |
| | 44 | 2 | 2 | 12789000/0 | Skruv..... | Screw..... | | | |
| | 45 | 2 | 2 | 12154330/0 | Mutter..... | Nut..... | | | |
| | 46 | 2 | 2 | 25430257/0 | Fjäder..... | Spring..... | | | |
| | 47 | 2 | 2 | 12523070/0 | Bricka..... | Washer..... | | | |
| | 48 | 2 | 2 | 12760515/0 | Skruv..... | Screw..... | | | |
| | 49 | 2 | 2 | 22671653/0 | Bricka..... | Washer..... | | | |
| | 50 | 2 | 2 | 12360425/0 | Mutter..... | Nut..... | | | |
| X | 51 | 2 | 2 | 25122000/2 | Skyddshuv..... | Protective cap..... | | | |
| | 52 | 1 | 1 | 325547187/0 | Plåt- bakre..... | Plate- rear..... | | | |
| | 53 | 2 | 2 | 12793301/0 | Skruv..... | Screw..... | | | |
| | 54 | 2 | 2 | 12521350/0 | Bricka..... | Washer..... | | | |
| | 55 | 2 | 2 | 12155000/0 | Mutter..... | Nut..... | | | |
| X | 56 | 2 | 2 | 12819280/0 | Skruv..... | Screw..... | | | |
| X | 57 | 2 | 2 | 125160037/0 | Distans..... | Spacer..... | | | |
| | 58 | 2 | 2 | 12521360/0 | Bricka..... | Washer..... | | | |
| | 59 | 2 | 2 | 12156602/0 | Mutter..... | Nut..... | | | |
| | 62 | 1 | 1 | 25785141/0 | Fäste..... | Support..... | | | |
| | 63 | 2 | 2 | 12735110/0 | Skruv..... | Screw..... | | | |
| | 64 | | 1 | 27546019/0 | Platta..... | Plate..... | | | |
| | 65 | | 2 | 12735602/0 | Skruv..... | Screw..... | | | |
| | 66 | | 2 | 12581100/0 | Bricka..... | Washer..... | | | |
| | 67 | 2 | 2 | 25580030/0 | Remstyrning..... | Belt guide..... | | | |
| | 68 | 2 | 2 | 12523060/0 | Bricka..... | Washer..... | | | |
| | 69 | 2 | 2 | 12360425/0 | Mutter..... | Nut..... | | | |
| | 81 | 1 | 1 | 25774371/0 | Stöd..... | Support..... | | | |
| | 82 | 1 | 1 | 25774369/0 | Stöd..... | Support..... | | | |
| | 83 | 4 | 4 | 12818690/0 | Skruv..... | Screw..... | | | |
| | 84 | 4 | 4 | 12293201/0 | Mutter..... | Nut..... | | | |



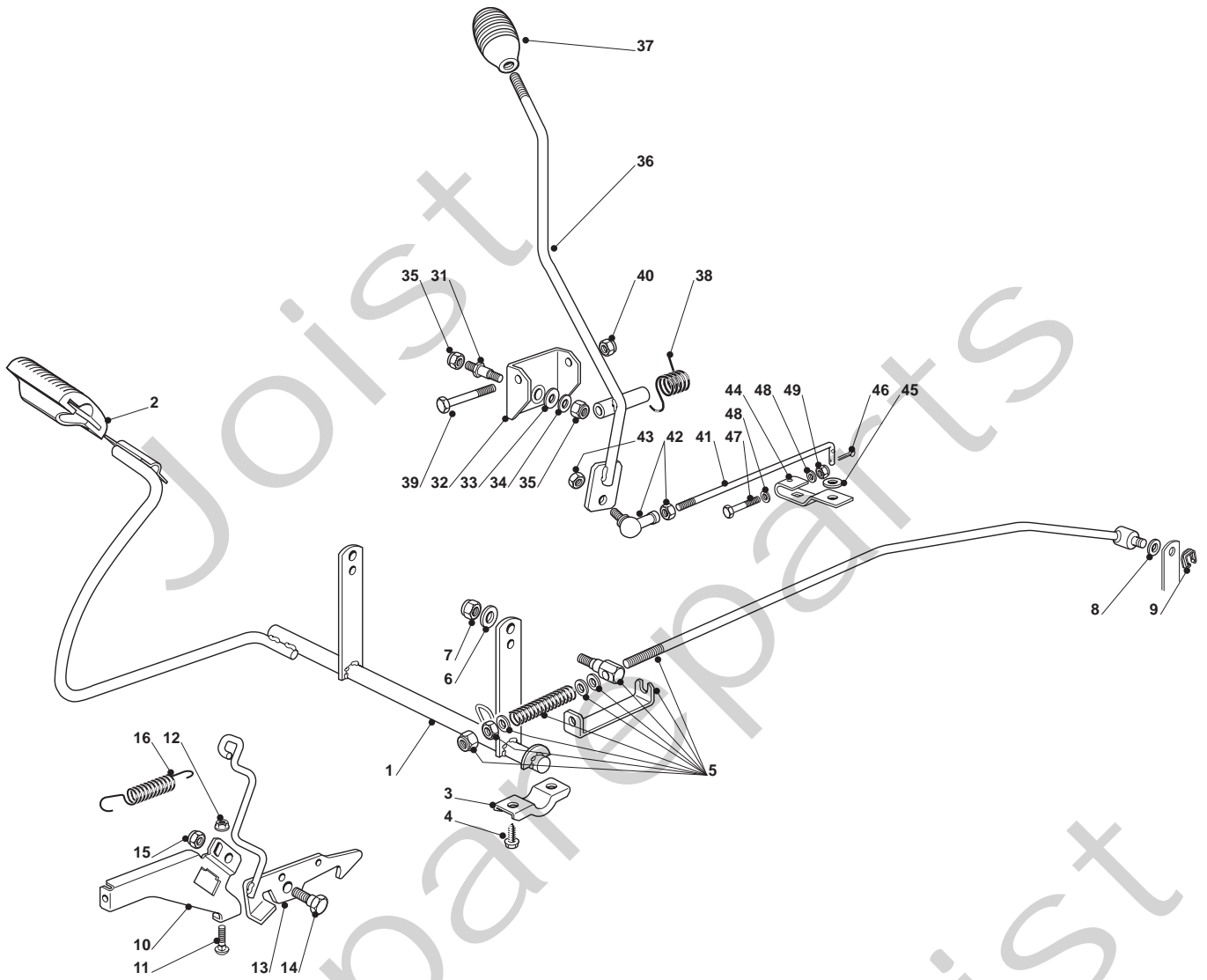
| Utgåva Issue 2008- 13 | | Bildnr Picture No 2454 | | ESTATE BASIC ESTATE TORNADO CHASSI | | ESTATE BASIC ESTATE TORNADO CHASSIS | | Sida Page 68 | |
|-----------------------------|----------------|------------------------------|------|--|------------------------|---|-------------|---------------------|--|
| Pos. Fig. | Antal/Quantity | | | Art nr Part No | Benämning | Description | Sats Kit | Anmärkning Notes | |
| | 2570 | 2539 | 2538 | | | | | | |
| 85 | 2 | | | 25500035/0 | Fotsteg..... | Footboard..... | | | |
| 86 | 4 | 4 | 4 | 12818690/0 | Skruv..... | Screw..... | | | |
| 87 | 4 | 4 | 4 | 12293201/0 | Mutter..... | Nut..... | | | |
| 88 | 1 | | | 25500033/0 | Fotstegsfäste- vä..... | Footboard support- LH..... | | | |
| 89 | 1 | | | 25500031/0 | Fotstegsfäste- hö..... | Footboard support- RH..... | | | |
| 90 | 2 | 2 | 2 | 25774375/0 | Bygel..... | Clamp..... | | | |
| X 91 | 12 | 12 | 12 | 12815205/0 | Skruv..... | Screw..... | | | |
| 92 | 12 | 12 | 12 | 12293201/0 | Mutter..... | Nut..... | | | |
| 93 | 2 | 2 | 2 | 25774351/0 | Bygel..... | Clamp..... | | | |
| 94 | 4 | 4 | 4 | 12815200/0 | Skruv..... | Screw..... | | | |
| 95 | 4 | 4 | 4 | 12293201/0 | Mutter..... | Nut..... | | | |
| 101 | | 2 | 2 | 25500029/0 | Fotsteg..... | Footboard..... | | | |
| 102 | | 1 | 1 | 25500027/0 | Fotstegsfäste- vä..... | Footboard support- LH..... | | | |
| 103 | | 1 | 1 | 25500025/0 | Fotstegsfäste- hö..... | Footboard support- RH..... | | | |
| 104 | | 1 | 1 | 25110327/0 | Fotstegsskydd- vä..... | Footboard cover- LH..... | | | |
| 105 | | 1 | 1 | 25110326/0 | Fotstegsskydd- hö..... | Footboard cover- RH..... | | | |
| X 142 | | 1 | 1 | 382033109/0 | Balk..... | Rod..... | | | |
| 143 | | 1 | 1 | 25510021/1 | Sprint..... | Pin..... | | | |
| 144 | | 1 | 1 | 24487999/0 | Låsnål..... | Cotter pin..... | | | |
| 145 | | 2 | 2 | 12156602/0 | Mutter..... | Nut..... | | | |



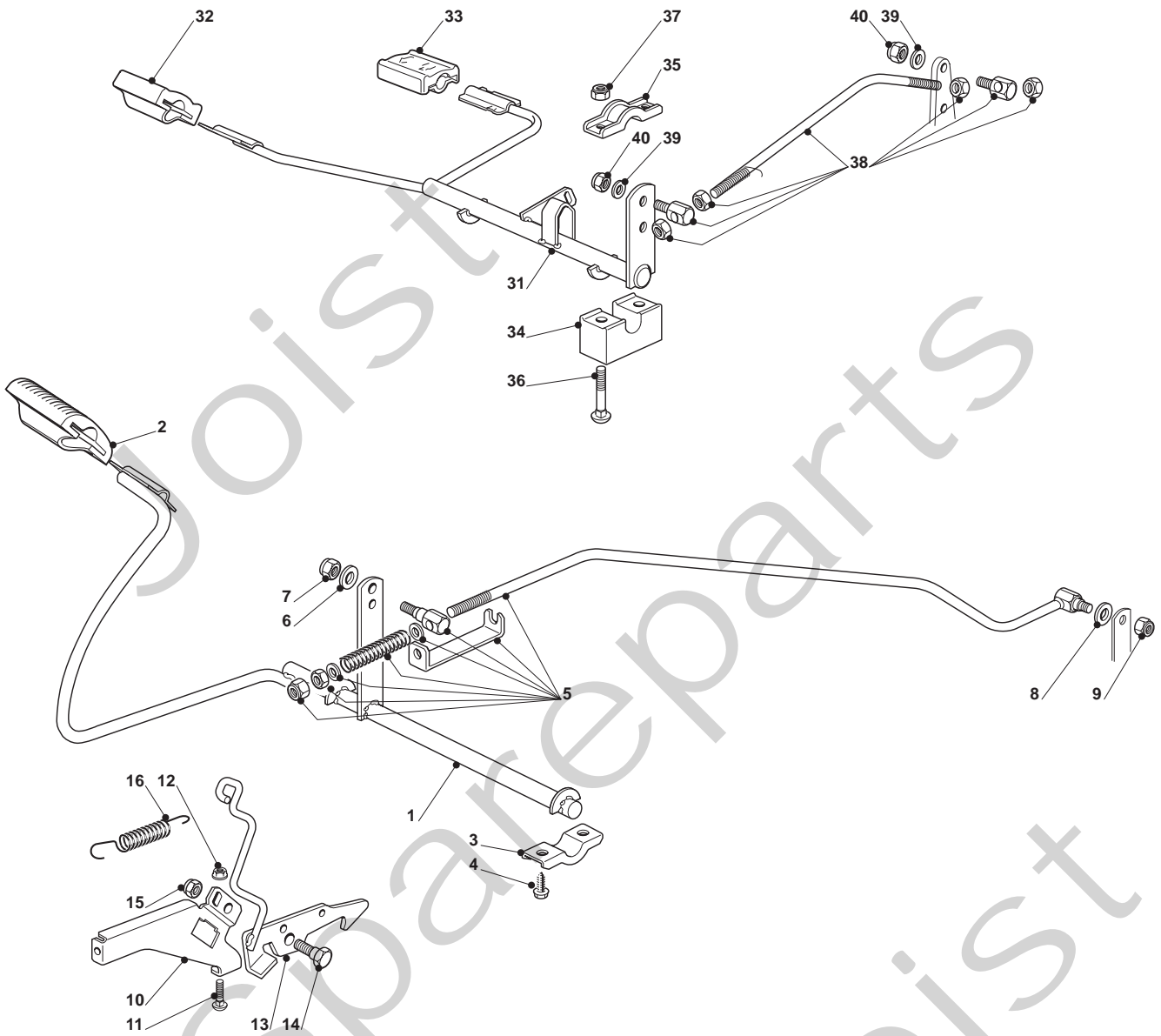
| Utgåva Issue | | Bildnr Picture No | | ESTATE BASIC STYRNING | | ESTATE BASIC STEERING | | Sida Page | |
|-----------------|----------------|----------------------|--|--------------------------|----------------------|--------------------------|-------------|-------------------|---------------------|
| 2008- 13 | | 2455 | | | | | | 70 | |
| Pos. Fig. | Antal/Quantity | | | | Art nr Part No | Benämning | Description | Sats Kit | Anmärkning Notes |
| | 2570 | | | | | | | | |
| 1 | 1 | | | 25038004/0 | Bussning | Bushing..... | | | |
| 2 | 1 | | | 25520006/0 | Rattstång | Steering column..... | | | |
| 3 | 1 | | | 27570050/0 | Styrdrev..... | Pinion..... | | | |
| 4 | 1 | | | 12622650/0 | Stift..... | Pin | | | |
| 5 | 1 | | | 25743000/0 | Länk..... | Joint | | | |
| 6 | 1 | | | 12521370/0 | Bricka | Washer..... | | | |
| 7 | 1 | | | 12436030/0 | Låsplatta | Lock plate | | | |
| 8 | 1 | | | 25785213/0 | Hållare | Support | | | |
| 9 | 2 | | | 12729601/1 | Skruv | Screw..... | | | |
| 11 | 1 | | | 82547045/0 | Stöd kpl | Support assy..... | | Inkl. pos 12 | |
| 12 | 1 | | | 12379511/0 | • Smörjnippel | • Grease dispenser | | | |
| 13 | 2 | | | 25040624/0 | Bussning | Bushing..... | | | |
| 14 | 4 | | | 12815200/0 | Skruv..... | Screw..... | | | |
| 15 | 4 | | | 12292102/0 | Mutter..... | Nut | | | |
| 16 | 1 | | | 25510092/0 | Axel | Pin | | | |
| 17 | 1 | | | 25670019/0 | Bricka | Washer..... | | | |
| 18 | 1 | | | 25735513/0 | Sektordrev | Steering sector..... | | | |
| 19 | 1 | | | 12523080/0 | Bricka | Washer..... | | | |
| 20 | 1 | | | 12155020/0 | Mutter..... | Nut | | | |
| 21 | 1 | | | 25318205/0 | Styrmarm | Steering lever | | | |
| 22 | 1 | | | 12523080/0 | Bricka | Washer..... | | | |
| 23 | 1 | | | 12794985/0 | Skruv | Screw..... | | | |
| 24 | 1 | | | 25743000/0 | Länk..... | Joint | | | |
| 25 | 1 | | | 25785213/0 | Hållare | Support | | | |
| 26 | 2 | | | 12791213/1 | Skruv..... | Screw..... | | | |
| 27 | 2 | | | 12521330/0 | Bricka | Washer..... | | | |
| 28 | 2 | | | 12154510/0 | Mutter..... | Nut | | | |
| X 29 | 1 | | | 382000538/1 | Styrstag..... | Steering rod | | | |
| 30 | 2 | | | 12523070/0 | Bricka | Washer..... | | | |
| X 31 | 2 | | | 12155010/0 | Mutter..... | Nut | | | |
| X 41 | 1 | | | 382034021/1 | Framaxel..... | Front wheel axle | | Inkl. pos 42- 43 | |
| 42 | 4 | | | 25040622/0 | • Bussning..... | • Bushing..... | | | |
| 43 | 2 | | | 12379511/0 | • Smörjnippel | • Grease dispenser | | | |
| 44 | 1 | | | 25160016/0 | Distans | Spacer | | | |
| 45 | 1 | | | 12692695/0 | Skruv | Screw..... | | | |
| 46 | 2 | | | 12523100/0 | Bricka | Washer..... | | | |
| 47 | 1 | | | 12587100/0 | Bricka | Washer..... | | | |
| 48 | 1 | | | 12295300/0 | Mutter..... | Nut | | | |
| 49 | 1 | | | 82230363/0 | Hjulspindel- hö..... | Stub axle- RH..... | | | |
| 50 | 1 | | | 82230365/0 | Hjulspindel- vä..... | Stub axle- LH..... | | | |
| 51 | 2 | | | 12001000/0 | Låsring | Snap ring | | | |
| 52 | 1 | | | 25743000/0 | Länk..... | Joint | | | |
| 53 | 1 | | | 25785213/0 | Hållare | Support | | | |
| 54 | 2 | | | 12791213/1 | Skruv..... | Screw..... | | | |
| 55 | 2 | | | 12521330/0 | Bricka | Washer..... | | | |
| 56 | 2 | | | 12154510/0 | Mutter..... | Nut | | | |
| 57 | 1 | | | 25840022/0 | Parallellstag | Tie rod..... | | | |
| 58 | 2 | | | 25510096/0 | Länkbult..... | Pivot bolt..... | | | |
| 59 | 2 | | | 12295200/0 | Mutter..... | Nut | | | |
| 60 | 2 | | | 12156602/0 | Mutter..... | Nut | | | |
| 61 | 2 | | | 12000956/0 | Låsring | Snap ring | | | |
| X 71 A | 2 | | | 382680019/0 | Framhjul | Front wheel | | Inkl. pos 72A- 75 | |
| 72 A | 1 | | | 82000595/0 | • Fälg | • Rim | | | |
| 73 | 2 | | | 25122200/2 | • Lager | • Bearing..... | | | |
| X 74 A | 1 | | | 125590008/0 | • Däck | • Tire | | Kenda | |
| 75 | 1 | | | 25950000/0 | • Ventil | • Valve | | | |
| 76 | 2 | | | 25670005/1 | Bricka | Washer..... | | | |
| 77 | 2 | | | 12001000/0 | Låsring | Snap ring | | | |
| 78 | 2 | | | 22110230/0 | Lock..... | Cap..... | | | |



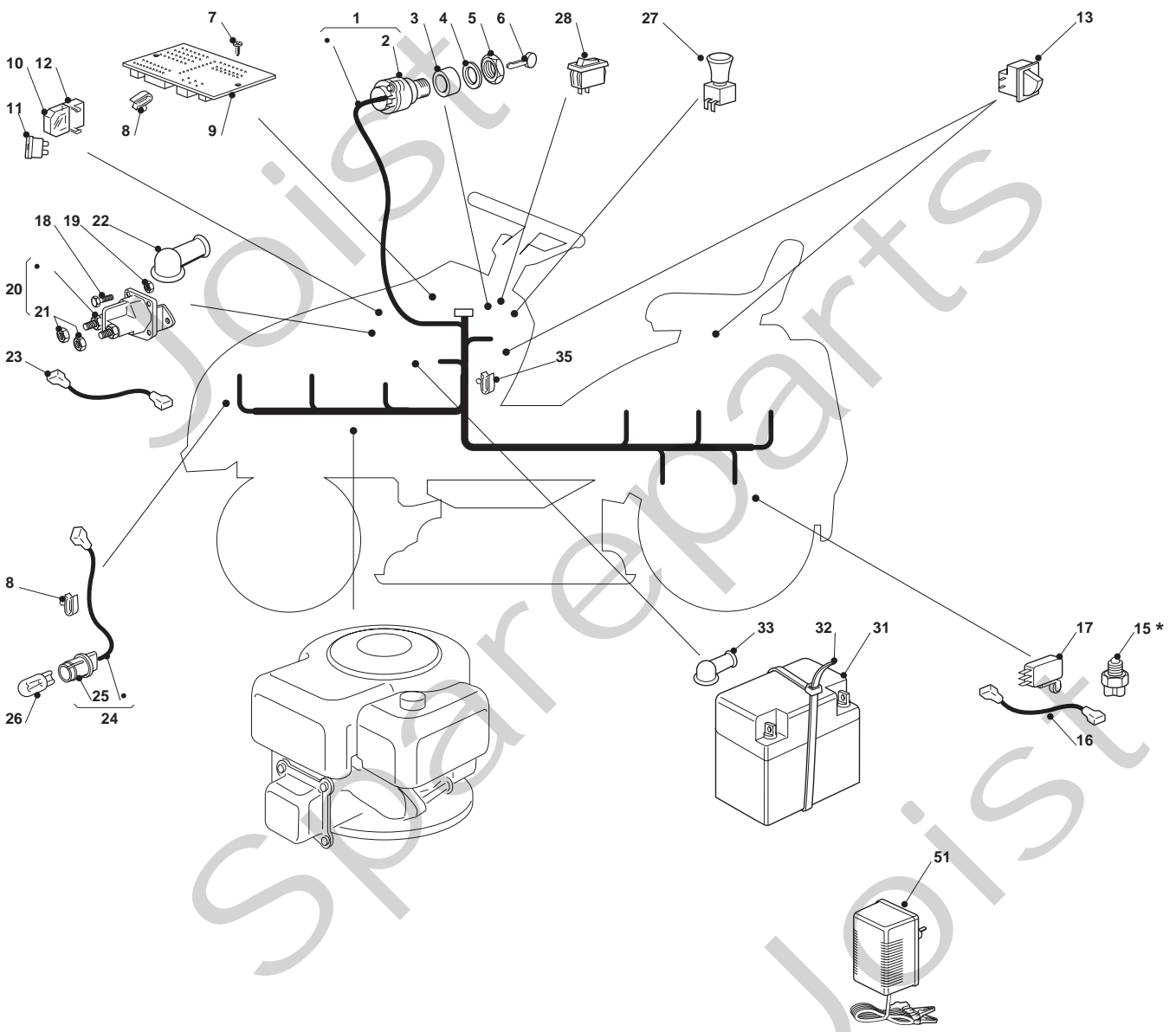
| Utgåva Issue | | Bildnr Picture No | | ESTATE TORNADO STYRNING | | ESTATE TORNADO STEERING | | Sida Page | |
|-----------------|----------------|----------------------|--|----------------------------|-------------------|----------------------------|--------------------------|--------------|---------------------|
| 2008- 13 | | 2456 | | | | | | 72 | |
| Pos. Fig. | Antal/Quantity | | | | Art nr Part No | Benämning | Description | Sats Kit | Anmärkning Notes |
| | 2538 | | | | | | | | |
| 2539 | | | | | | | | | |
| | 1 | | | | 25038004/0 | Bussning | Bushing..... | | |
| | 2 | | | | 25520006/0 | Rattstång | Steering column..... | | |
| | 3 | | | | 27570050/0 | Styrdrev..... | Pinion..... | | |
| | 4 | | | | 12622650/0 | Stift..... | Pin | | |
| | 5 | | | | 25743000/0 | Länk..... | Joint | | |
| | 6 | | | | 12521370/0 | Bricka | Washer..... | | |
| | 7 | | | | 12436030/0 | Låsplatta | Lock plate | | |
| | 8 | | | | 25785213/0 | Hållare | Support | | |
| | 9 | | | | 12729601/1 | Skruv | Screw..... | | |
| | 11 | | | | 82547045/0 | Stöd kpl | Support assy..... | | Inkl. pos 12 |
| | 12 | | | | 12379511/0 | • Smörjnippel | • Grease dispenser | | |
| | 13 | | | | 25040624/0 | Bussning | Bushing..... | | |
| | 14 | | | | 12815200/0 | Skruv..... | Screw..... | | |
| | 15 | | | | 12292102/0 | Mutter..... | Nut | | |
| | 16 | | | | 25510092/0 | Axel | Pin | | |
| | 17 | | | | 25670019/0 | Bricka | Washer..... | | |
| | 18 | | | | 25735513/0 | Sektordrev | Steering sector..... | | |
| | 19 | | | | 12523080/0 | Bricka | Washer..... | | |
| | 20 | | | | 12155020/0 | Mutter..... | Nut | | |
| | 21 | | | | 25318205/0 | Styrmarm | Steering lever | | |
| | 22 | | | | 12523080/0 | Bricka | Washer..... | | |
| | 23 | | | | 12794985/0 | Skruv | Screw..... | | |
| | 24 | | | | 25743000/0 | Länk..... | Joint | | |
| | 25 | | | | 25785213/0 | Hållare | Support | | |
| | 26 | | | | 12791213/1 | Skruv..... | Screw..... | | |
| | 27 | | | | 12521330/0 | Bricka | Washer..... | | |
| | 28 | | | | 12154510/0 | Mutter..... | Nut | | |
| X | 29 | | | | 382000539/1 | Styrstag..... | Steering rod | | |
| | 30 | | | | 12523070/0 | Bricka | Washer..... | | |
| | 31 | | | | 12155010/0 | Mutter..... | Nut | | |
| X | 41 | | | | 382034024/0 | Framaxel..... | Front wheel axle | | Inkl. pos 42- 43 |
| | 42 | | | | 25034002/1 | • Bussning..... | • Bushing..... | | |
| | 43 | | | | 12379511/0 | • Smörjnippel | • Grease dispenser | | |
| | 44 | | | | 25160016/0 | Distans | Spacer | | |
| | 45 | | | | 12692695/0 | Skruv | Screw..... | | |
| | 46 | | | | 12523100/0 | Bricka | Washer..... | | |
| | 47 | | | | 12587100/0 | Bricka | Washer..... | | |
| | 48 | | | | 12295300/0 | Mutter..... | Nut | | |
| | 49 | | | | 82230363/0 | Hjulspindel- hö..... | Stub axle- RH..... | | |
| | 50 | | | | 82230365/0 | Hjulspindel- vä..... | Stub axle- LH..... | | |
| | 51 | | | | 12001000/0 | Låsring | Snap ring | | |
| | 52 | | | | 25743000/0 | Länk..... | Joint | | |
| | 53 | | | | 25785213/0 | Hållare | Support | | |
| | 54 | | | | 12791213/1 | Skruv..... | Screw..... | | |
| | 55 | | | | 12521330/0 | Bricka | Washer..... | | |
| | 56 | | | | 12154510/0 | Mutter..... | Nut | | |
| X | 57 | | | | 125840023/0 | Parallellstag..... | Tie rod..... | | |
| | 58 | | | | 22746600/0 | Kulled | Ball joint..... | | |
| | 59 | | | | 12156602/0 | Mutter..... | Nut | | |
| | 71 A | | | | 82680012/1 | Framhjul kpl..... | Front wheel assy | | Inkl. pos 72A- 75 |
| | 72 A | | | | 82000595/0 | • Fälg | • Rim | | |
| | 73 | | | | 25122200/2 | • Lager | • Bearing..... | | |
| | 74 A | | | | 25590005/0 | • Däck | • Tire | | Kenda |
| | 75 | | | | 25950000/0 | • Ventil | • Valve | | |
| | 76 | | | | 25670005/1 | Bricka | Washer..... | | |
| | 77 | | | | 12001000/0 | Låsring | Snap ring | | |
| | 78 | | | | 22110230/0 | Lock..... | Cap..... | | |



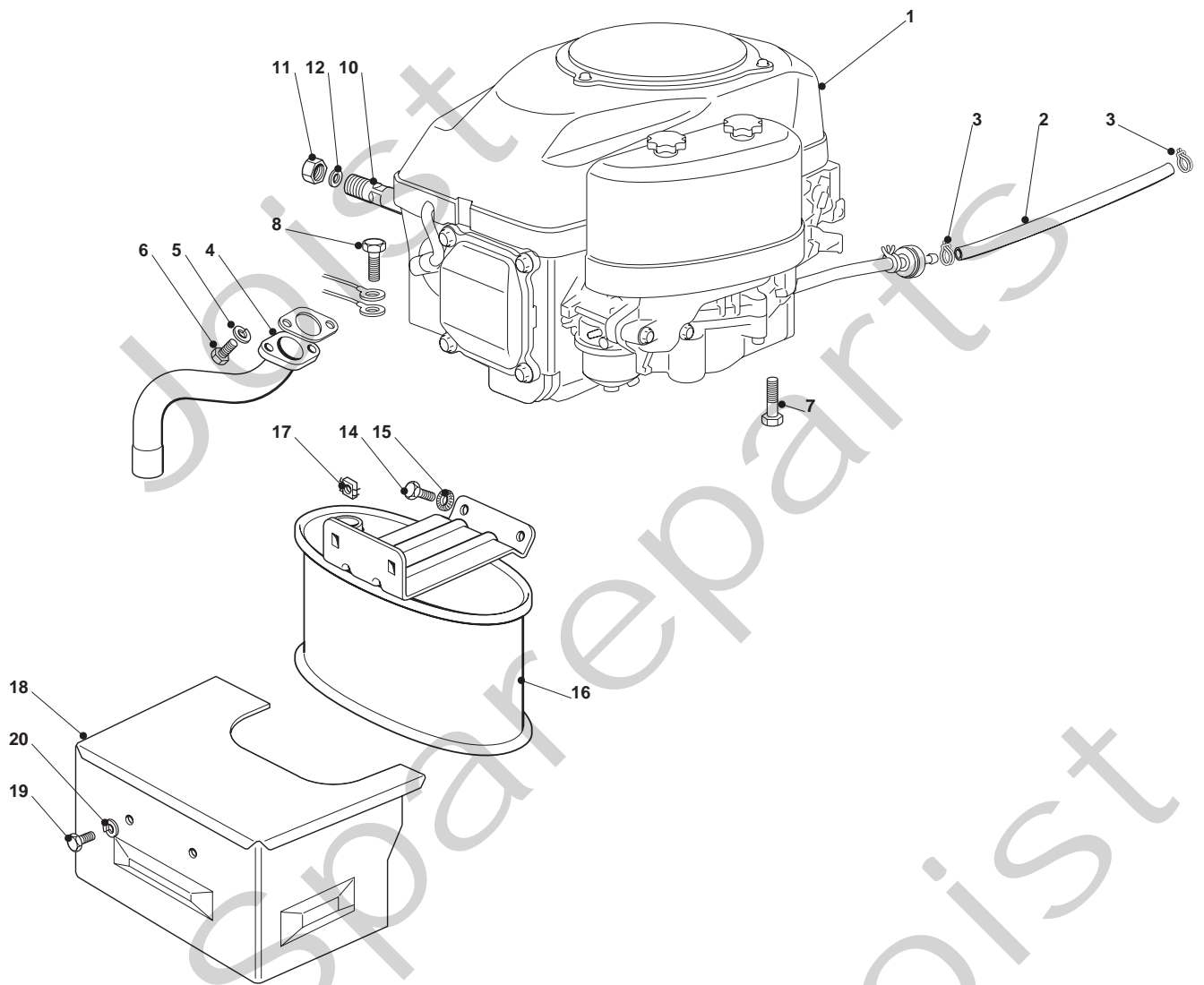
| Utgåva Issue 2008- 13 | | Bildnr Picture No 2245 | | ESTATE BASIC ESTATE TORNADO REGLAGE | | ESTATE BASIC ESTATE TORNADO CONTROLS | | Sida Page 74 | |
|-----------------------------|----------------|------------------------------|--|---|------------------------|--|-------------|---------------------|--|
| Pos. Fig. | Antal/Quantity | | | Art nr Part No | Benämning | Description | Sats Kit | Anmärkning Notes | |
| | 2570 | 2539 | | | | | | | |
| 1 | 1 | 1 | | 82500027/1 | Pedal | Pedal | | | |
| 2 | 1 | 1 | | 25110269/0 | Pedal gummi | Pedal cover | | | |
| 3 | 2 | 2 | | 27546015/1 | Bygel | Clamp | | | |
| 4 | 4 | 4 | | 12729601/1 | Skruv | Screw | | | |
| 5 | | 1 | | 82000540/0 | Reglagestång kpl | Control rod assy | | Peerless | |
| 5 | 1 | | | 82000541/0 | Reglagestång kpl | Control rod assy | | Dana | |
| 6 | 1 | 1 | | 12523040/0 | Bricka | Washer | | | |
| 7 | 1 | 1 | | 12154510/0 | Mutter | Nut | | | |
| 8 | 1 | 1 | | 12521350/0 | Bricka | Washer | | | |
| 9 | 1 | 1 | | 12436050/0 | Låsplatta | Plate | | | |
| 10 | 1 | 1 | | 25785261/0 | Fäste | Support | | | |
| 11 | 2 | 2 | | 12815200/0 | Skruv | Screw | | | |
| 12 | 2 | 2 | | 12292102/0 | Mutter | Nut | | | |
| 13 | 1 | 1 | | 82000531/0 | Stång | Rod | | | |
| 14 | 1 | 1 | | 22524970/2 | Bult | Bolt | | | |
| 15 | 1 | 1 | | 12155000/0 | Mutter | Nut | | | |
| 16 | 1 | 1 | | 25430213/0 | Fjäder | Spring | | | |
| 31 | 1 | 1 | | 25510035/0 | Pinnbult | Pin bolt | | | |
| 32 | 1 | 1 | | 82774247/0 | Bygel | Clamp | | | |
| 33 | 1 | 1 | | 22672152/0 | Bricka | Washer | | | |
| 34 | 1 | 1 | | 12523060/0 | Bricka | Washer | | | |
| 35 | 2 | 2 | | 12155010/0 | Mutter | Nut | | | |
| 36 | 1 | 1 | | 82318215/0 | Växelspak | Gearshift lever | | | |
| 37 | 1 | 1 | | 25394510/0 | Knopp | Knob | | | |
| 38 | 1 | 1 | | 25430258/0 | Fjäder | Spring | | | |
| 39 | 1 | 1 | | 12692050/0 | Skruv | Screw | | | |
| 40 | 1 | 1 | | 12155000/0 | Mutter | Nut | | | |
| 41 | | 1 | | 25033012/0 | Växelstång | Shift rod | | Peerless | |
| 41 | 1 | | | 25840020/0 | Växelstång | Shift rod | | Dana | |
| 42 | 1 | 1 | | 22746601/0 | Vinkellänk | Ball joint | | | |
| 43 | 1 | 1 | | 12155000/0 | Mutter | Nut | | | |
| 44 | 1 | 1 | | 25318128/0 | Växelarm | Shift lever | | | |
| 45 | 1 | | | 12521340/0 | Bricka | Washer | | Dana | |
| 46 | 1 | 1 | | 12141418/0 | Låsnål | Hair pin | | | |
| 47 | 1 | 1 | | 12689500/0 | Skruv | Screw | | | |
| 48 | 2 | 2 | | 12521330/0 | Bricka | Washer | | | |
| 49 | 1 | 1 | | 12154510/0 | Mutter | Nut | | | |



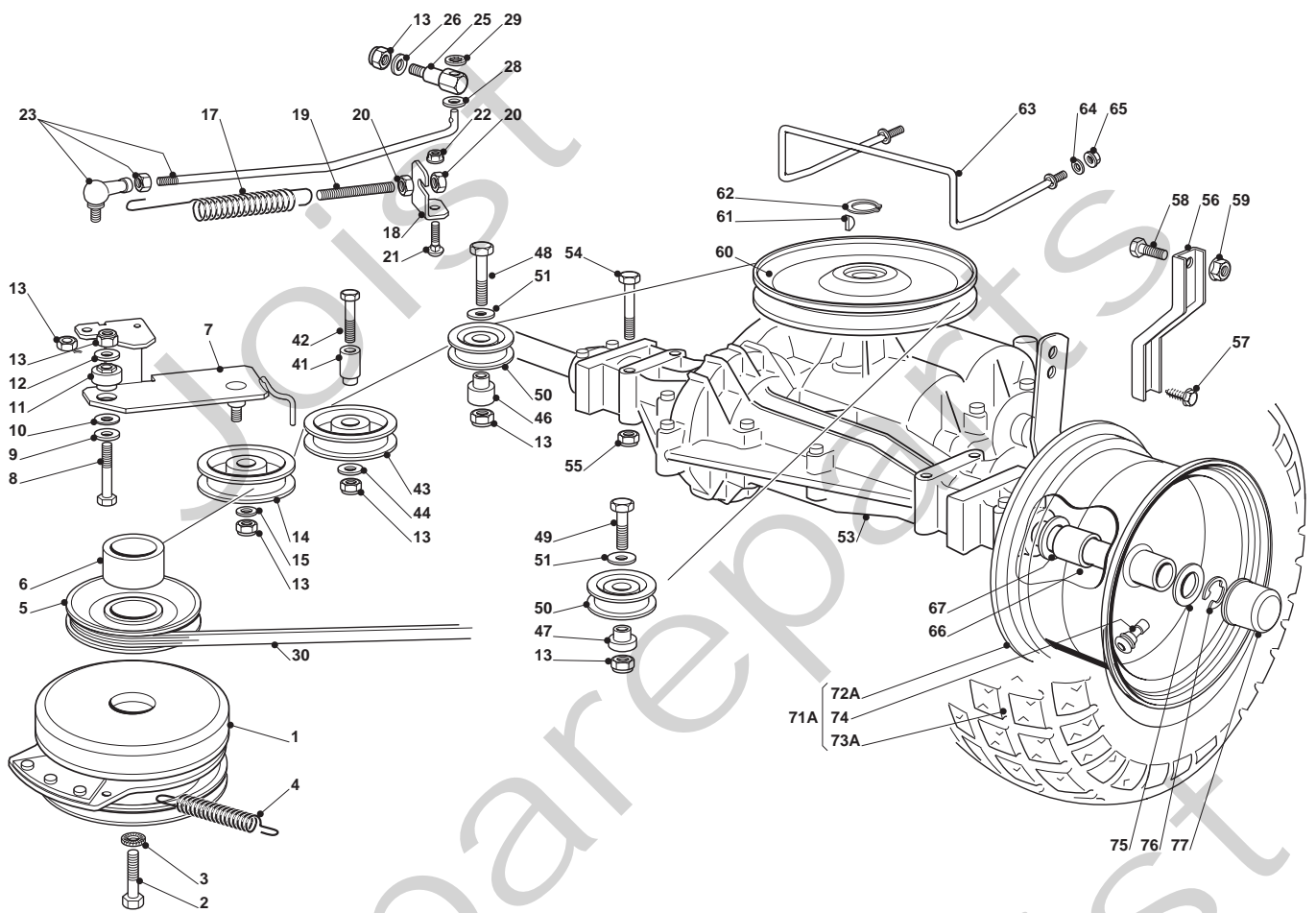
| Utgåva Issue | | Bildnr Picture No | | ESTATE TORNADO HST REGLAGE | | ESTATE TORNADO HST CONTROLS | | Sida Page | |
|-----------------|----------------|----------------------|--|-------------------------------|------------------------|--------------------------------|-------------|--------------|---------------------|
| 2008- 13 | | 2246 | | | | | | 76 | |
| Pos. Fig. | Antal/Quantity | | | | Art nr Part No | Benämning | Description | Sats Kit | Anmärkning Notes |
| | 2538 | | | | | | | | |
| 1 | 1 | | | 82500029/1 | Pedal | Pedal | | | |
| 2 | 1 | | | 25110267/0 | Pedalgummi | Pedal cover | | | |
| 3 | 2 | | | 27546015/1 | Bygel | Clamp | | | |
| 4 | 4 | | | 12729601/1 | Skruv | Screw | | | |
| 5 | 1 | | | 82000542/0 | Reglagestång kpl | Control rod assy | | | |
| 6 | 1 | | | 12521350/0 | Bricka | Washer | | | |
| 7 | 1 | | | 12155000/0 | Mutter | Nut | | | |
| 8 | 1 | | | 12521350/0 | Bricka | Washer | | | |
| 9 | 1 | | | 12155000/0 | Mutter | Nut | | | |
| 10 | 1 | | | 25785261/0 | Fäste | Support | | | |
| 11 | 2 | | | 12815200/0 | Skruv | Screw | | | |
| 12 | 2 | | | 12292102/0 | Mutter | Nut | | | |
| 13 | 1 | | | 82000531/0 | Stång | Rod | | | |
| 14 | 1 | | | 22524970/2 | Bult | Bolt | | | |
| 15 | 1 | | | 12155000/0 | Mutter | Nut | | | |
| 16 | 1 | | | 25430213/0 | Fjäder | Spring | | | |
| 31 | 1 | | | 82000383/0 | Drivpedal | Drive pedal | | | |
| 32 | 1 | | | 25110274/0 | Pedalgummi- fram | Pedal cover- front | | | |
| 33 | 1 | | | 25110331/0 | Pedalgummi- bak | Pedal cover- rear | | | |
| 34 | 2 | | | 25785185/0 | Fäste | Support | | | |
| 35 | 2 | | | 27546015/1 | Bygel | Clamp | | | |
| 36 | 4 | | | 12815245/0 | Skruv | Screw | | | |
| 37 | 4 | | | 12154510/0 | Mutter | Nut | | | |
| 38 | 1 | | | 82000543/0 | Reglagestång kpl | Control rod assy | | | |
| 39 | 2 | | | 12523040/0 | Bricka | Washer | | | |
| 40 | 2 | | | 12154510/0 | Mutter | Nut | | | |



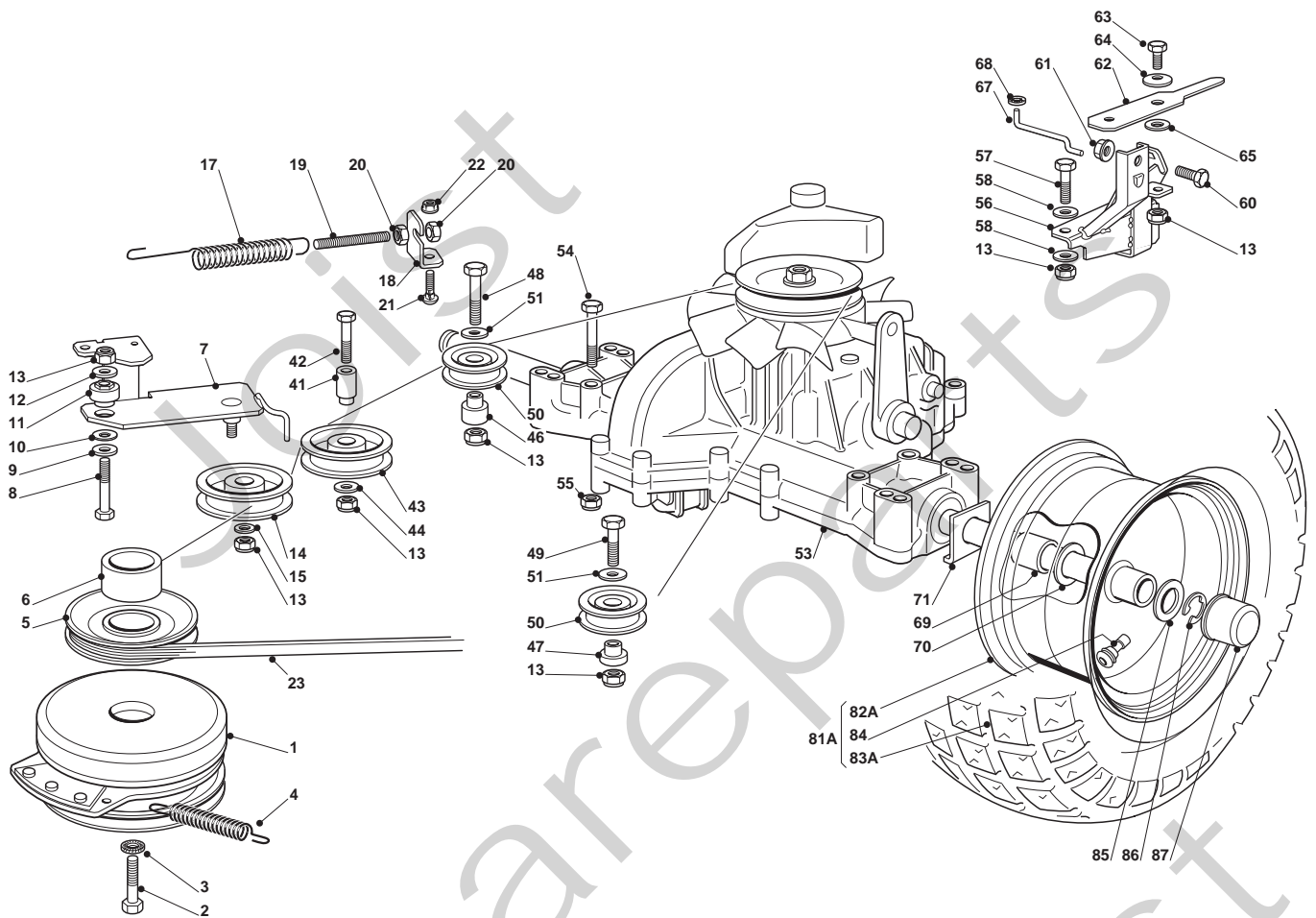
| Utgåva Issue 2008- 13 | | Bildnr Picture No 2457 | | ESTATE BASIC ESTATE TORNADO ELSYSTEM | | ESTATE BASIC ESTATE TORNADO ELECTRICAL SYSTEM | | Sida Page 78 | |
|-----------------------------|----------------|------------------------------|------|--|--------------------------|---|-------------|---------------------|--|
| Pos. Fig. | Antal/Quantity | | | Art nr Part No | Benämning | Description | Sats Kit | Anmärkning Notes | |
| | 2570 | 2539 | 2538 | | | | | | |
| X | 1 | 1 | 1 | 182040145/0 | Kablage..... | Harness..... | | Inkl. pos 2 | |
| | 2 | 1 | 1 | 18450072/0 | •• Tändningslås | •• Starting switch | | | |
| | 3 | 1 | 1 | 18550136/0 | Distans | Spacer | | | |
| | 4 | 1 | 1 | 18550135/0 | Bricka | Washer..... | | | |
| | 5 | 1 | 1 | 18400862/0 | Mutter..... | Nut | | | |
| | 6 | 1 | 1 | 18210022/0 | Tändningsnyckel..... | Starter key..... | | | |
| | 7 | 3 | 3 | 12727810/0 | Skruv..... | Screw..... | | | |
| | 8 | 2 | 2 | 33320506/0 | Kabelhållare | Cable holder | | | |
| X | 9 | 1 | 1 | 125722432/0 | Elektronikkort | Electronic card | | | |
| | 10 | 2 | 2 | 33215000/0 | Lock..... | Cover | | | |
| | 11 | 1 | 1 | 33340036/0 | Säkring | Fuse | | 25A | |
| | 11 | 1 | 1 | 33340040/0 | Säkring | Fuse | | 10A | |
| | 12 | 2 | 2 | 33500007/0 | Säkringshållare | Fuse holder | | | |
| | 13 | 2 | 2 | 19410606/0 | Mikrobrytare..... | Micro switch | | | |
| | 15 | | 1 | 786194 | Brytare | Neutral start switch..... | | Peerless | |
| | 15 | 1 | | F000- 7034- 00 | Brytare..... | Switch | | Dana | |
| | 16 | 1 | 1 | 25065026/0 | Kabel | Cable | | | |
| | 17 | | 1 | 19410609/0 | Brytare..... | Switch | | | |
| | 18 | 2 | 2 | 12791213/1 | Skruv | Screw..... | | | |
| | 19 | 2 | 2 | 12292102/0 | Mutter | Nut | | | |
| | 20 | 1 | 1 | 18736110/0 | Startrelä..... | Starter relay | | Inkl. pos 21 | |
| | 21 | 2 | 2 | 12360352/0 | • Mutter..... | • Nut | | | |
| | 22 | 1 | 1 | 18564864/1 | Polskydd..... | Protection | | | |
| | 23 | 1 | 1 | 25065017/0 | Kabel | Cable | | | |
| | 24 | | 1 | 82040073/0 | Kabel | Cable | | Inkl. pos 25 | |
| | 25 | | 2 | 33500030/0 | • Lamphållare | • Lamp holder | | | |
| | 26 | | 2 | 18459100/0 | Glödlampa | Lamp | | | |
| | 27 | 1 | 1 | 18450068/0 | Brytare..... | Switch | | | |
| | 28 | | 1 | 18450060/1 | Brytare..... | Switch | | | |
| | 31 | 1 | 1 | 18120002/1 | Batteri..... | Battery | | | |
| X | 32 | 1 | 1 | 133320028/0 | Buntband | Cable tie | | | |
| | 33 | 1 | 1 | 18564861/1 | Polskydd..... | Protection | | | |
| | 35 | 9 | 9 | 33320506/0 | Kabelhållare | Cable holder | | | |
| X | 51 | 1 | 1 | 82180050/0 | Batteriladdare | Battery charger | | | |
| X | 51 | 1 | 1 | 82180052/0 | Batteriladdare (UK)..... | Battery charger (UK)..... | | UK- special | |



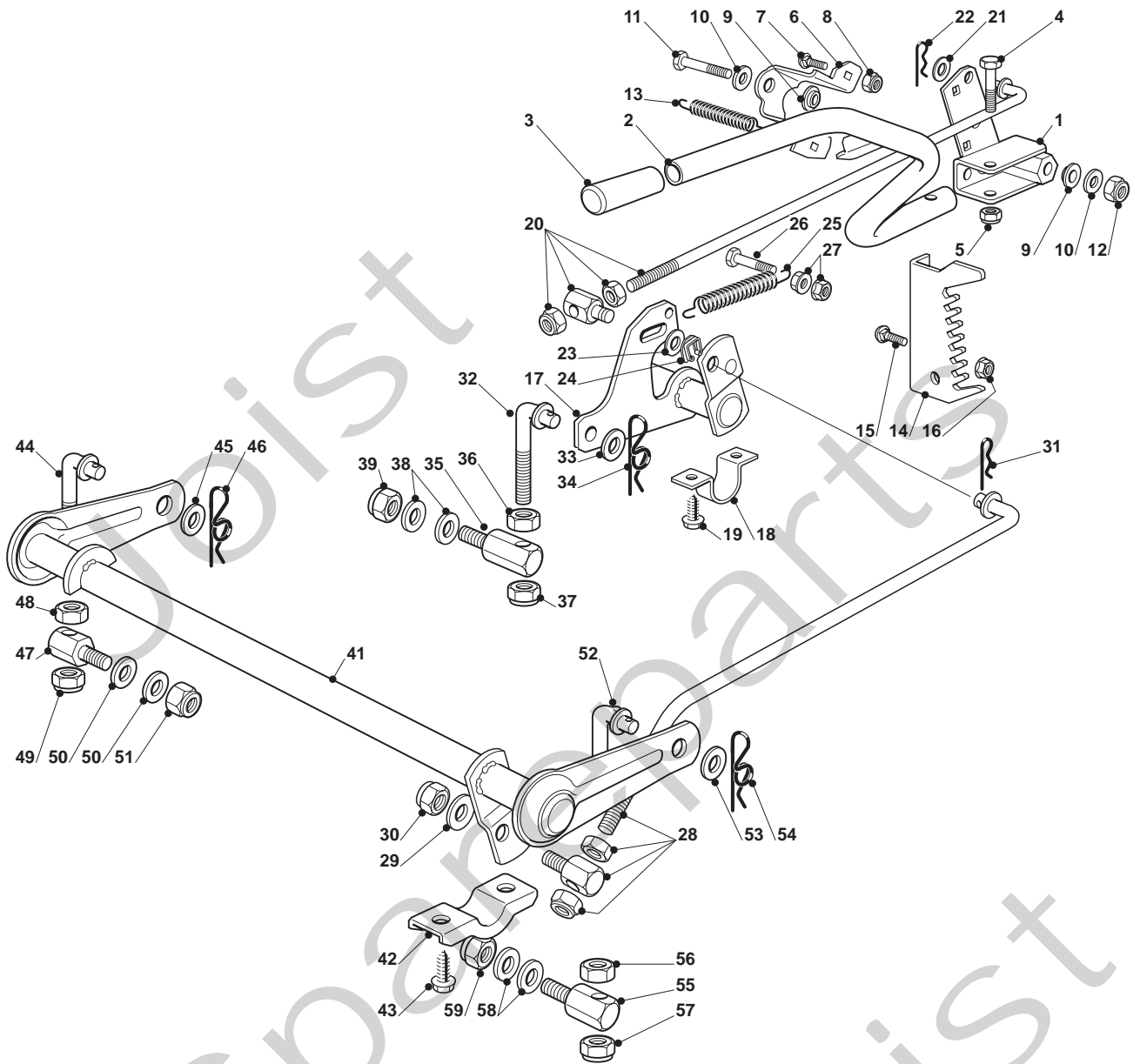
| Utgåva Issue | | Bildnr Picture No | | ESTATE BASIC ESTATE TORNADO MOTOR (GGP WM) | | ESTATE BASIC ESTATE TORNADO ENGINE (GGP WM) | | Sida Page | |
|-----------------|----------------|----------------------|------|---|-------------------|--|---------------------|--------------|---------------------|
| 2008- 13 | | 2458 | | | | | | 80 | |
| Pos. Fig. | Antal/Quantity | | | | Art nr Part No | Benämning | Description | Sats Kit | Anmärkning Notes |
| | 2570 | 2539 | 2538 | | | | | | |
| X | 1 | 1 | | | 1134- 9501- 01 | Motor kpl..... | Engine assy..... | | |
| | 2 | 1 | | | 25869057/0 | Bränsleslang..... | Fuel line..... | | |
| | 3 | 4 | | | 18375051/1 | Slangklämma..... | Hose clamp..... | | |
| X | 4 | 1 | | | 118738231/0 | Avgasrör..... | Exhaust tube..... | | |
| | 5 | 2 | | | 12583500/0 | Låsbricka..... | Washer..... | | |
| | 6 | 2 | | | 12737450/0 | Skruv..... | Screw..... | | |
| X | 7 | 4 | | | 112735108/1 | Skruv..... | Screw..... | | |
| | 8 | 1 | | | 12735599/0 | Skruv..... | Screw..... | | |
| | 10 | 1 | | | 27598060/0 | Oljeavtappn.rör..... | Oil drain pipe..... | | |
| | 11 | 1 | | | 18737849/0 | Plugg..... | Cap..... | | |
| | 12 | 1 | | | 18401001/1 | Tätningring..... | Seal..... | | |
| | 14 | 2 | | | 12793102/0 | Skruv..... | Screw..... | | |
| | 15 | 2 | | | 12540260/0 | Bricka..... | Washer..... | | |
| | 16 | 1 | | | 82750004/0 | Ljuddämpare..... | Muffler..... | | |
| | 17 | 2 | | | 12360425/0 | Mutter..... | Nut..... | | |
| X | 18 | 1 | | | 382598039/0 | Ljuddämparskydd..... | Muffler guard..... | | |
| | 19 | 2 | | | 12792611/0 | Skruv..... | Screw..... | | |
| | 20 | 2 | | | 12583500/0 | Låsbricka..... | Washer..... | | |



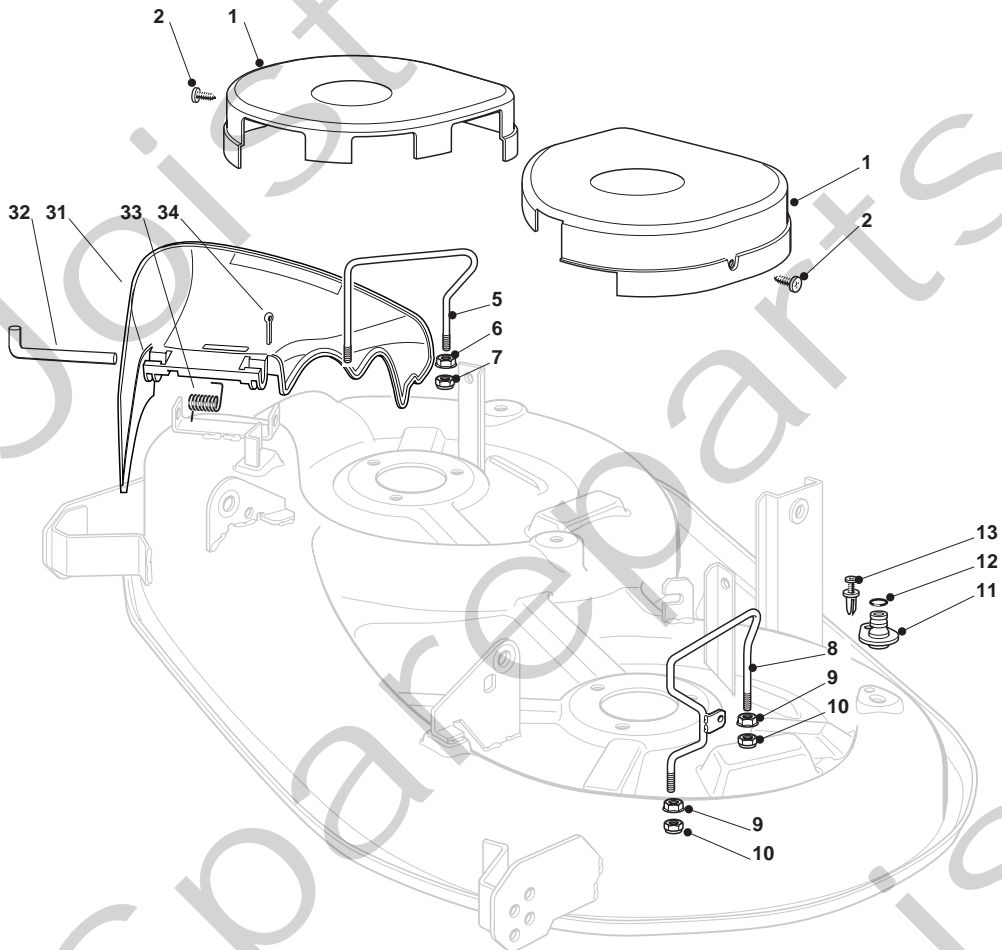
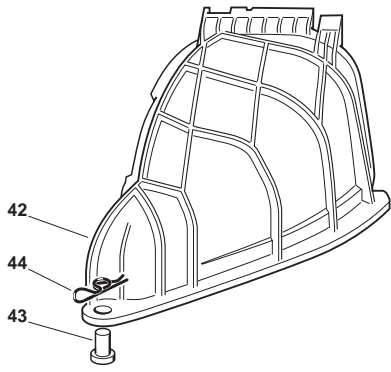
| Utgåva Issue 2008- 13 | | Bildnr Picture No 2459 | | ESTATE BASIC ESTATE TORNADO TRANSMISSION | | ESTATE BASIC ESTATE TORNADO TRANSMISSION | | Sida Page 82 | |
|-----------------------------|----------------|------------------------------|-----|--|---------------------|--|-------------|------------------------|--|
| Pos. Fig. | Antal/Quantity | | | Art nr Part No | Benämning | Description | Sats Kit | Anmärkning Notes | |
| | 2570 | 2539 | | | | | | | |
| X | 1 | 1 | 1 | 118399063/0 | Magnetkoppling..... | Electric clutch | | | |
| | 2 | 1 | 1 | 12737320/0 | Skruv | Screw | | | |
| | 3 | 1 | 1 | 12543000/0 | Bricka | Washer | | | |
| | 4 | 1 | 1 | 22430216/0 | Fjäder..... | Spring | | | |
| | 5 | 1 | 1 | 25601567/0 | Remskiva..... | Belt pulley | | | |
| | 6 | 1 | 1 | 25160021/0 | Distans | Spacer..... | | | |
| | 7 | 1 | 1 | 82318217/0 | Spännarm | Tension arm | | | |
| | 8 | 1 | 1 | 12691115/0 | Skruv | Screw | | | |
| | 9 | 1 | 1 | 12523060/0 | Bricka | Washer | | | |
| | 10 | 1 | 1 | 27670055/0 | Bricka | Washer | | | |
| | 11 | 1 | 1 | 25510087/0 | Tapp..... | Pin | | | |
| | 12 | 1 | 1 | 12523060/0 | Bricka | Washer | | | |
| | 13 | 7 | 7 | 12155000/0 | Mutter..... | Nut | | | |
| | 14 | 1 | 1 | 25601554/0 | Spännrulle | Tension roller | | | |
| | 15 | 1 | 1 | 12523060/0 | Bricka | Washer | | | |
| | 17 | 1 | 1 | 25430260/0 | Fjäder..... | Spring | | | |
| | 18 | 1 | 1 | 25755049/0 | Vinkelfäste | Angle bracket | | | |
| | 19 | 1 | 1 | 25840005/0 | Spännstång | Tie rod | | | |
| | 20 | 2 | 2 | 12293200/0 | Mutter..... | Nut | | | |
| | 21 | 1 | 1 | 12818690/0 | Skruv | Screw | | | |
| | 22 | 1 | 1 | 12293201/0 | Mutter..... | Nut | | | |
| | 23 | 1 | 1 | 82820013/0 | Spännstång kpl..... | Tie rod assy..... | | | |
| | 25 | 1 | 1 | 25510063/0 | Pivotbult | Pivot pin | | | |
| | 26 | 2 | 2 | 25670011/0 | Bricka | Washer | | | |
| | 28 | 1 | 1 | 12521350/0 | Bricka | Washer | | | |
| | 29 | 1 | 1 | 12604899/0 | Låsbricka | Lock washer..... | | | |
| | 30 | 1 | 1 | 35062012/0 | Drivrem | Drive belt..... | | | |
| X | 41 | 1 | 1 | 125510100/0 | Hylsa | Collar | | | |
| | 42 | 1 | 1 | 12691800/0 | Skruv | Screw | | | |
| | 43 | 1 | 1 | 25601555/0 | Remrulle | Belt roller | | | |
| | 44 | 1 | 1 | 12523060/0 | Bricka | Washer | | | |
| | 46 | 1 | 1 | 25160014/0 | Distans | Spacer | | | |
| | 47 | 1 | 1 | 25160018/0 | Distans | Spacer | | | |
| | 48 | 1 | 1 | 12691200/0 | Skruv | Screw | | | |
| | 49 | 1 | 1 | 12691100/0 | Skruv | Screw | | | |
| | 50 | 2 | 2 | 25601576/0 | Remrulle | Belt roller | | | |
| | 51 | 2 | 2 | 22671653/0 | Bricka | Washer | | | |
| | 53 | 1 | 1 | 18400910/2 | Transaxel kpl..... | Transaxle assy..... | | Peerless MST 205- 535E | |
| | 53 | 1 | 1 | 18400912/0 | Transaxel kpl..... | Transaxle assy..... | | Dana 4360- 211 | |
| | 54 | 4 | 4 | 12691800/0 | Skruv | Screw | | | |
| | 54 | 4 | 4 | 12691900/0 | Skruv | Screw | | | |
| | 55 | 4 | 4 | 12154210/0 | Mutter..... | Nut | | | |
| | 56 | 2 | 2 | 25774247/0 | Momentstag | Stay | | | |
| | 57 | 2 | 2 | 12735150/0 | Skruv | Screw | | | |
| | 58 | 2 | 2 | 12792611/0 | Skruv | Screw | | | |
| | 59 | 2 | 2 | 12293201/0 | Mutter..... | Nut | | | |
| | 60 | 1 | 1 | 82601509/0 | Remskiva..... | Belt pulley | | | |
| | 61 | 1 | 1 | 12139430/0 | Kil | Key | | | |
| | 62 | 1 | 1 | 12608950/0 | Låsring | Snap ring | | | |
| X | 63 | 1 | 1 | 125270326/0 | Remstyrning..... | Belt guide..... | | | |
| | 64 | 2 | 2 | 12523040/0 | Bricka | Washer | | | |
| | 65 | 2 | 2 | 12292102/0 | Mutter..... | Nut | | | |
| | 66 | 2 | 2 | 25160034/0 | Distans | Spacer | | | |
| | 67 | 2-4 | 2-4 | 12521410/0 | Bricka | Washer | | | |
| | 71 A | 2 | 2 | 82680013/1 | Hjul kpl | Wheel assy..... | | Inkl. pos 72A- 74 | |
| | 72 A | 1 | 1 | 82000596/0 | • Fälg | • Rim | | | |
| | 73 A | 1 | 1 | 25590006/0 | • Däck | • Tire | | Kenda | |
| | 74 | 1 | 1 | 25950000/0 | • Ventil | • Valve | | | |
| | 75 | 2 | 2 | 25670005/1 | Bricka | Washer | | | |
| | 76 | 2 | 2 | 12001010/0 | Låsring | Snap ring | | | |
| | 77 | 2 | 2 | 22110230/0 | Lock..... | Cap..... | | | |



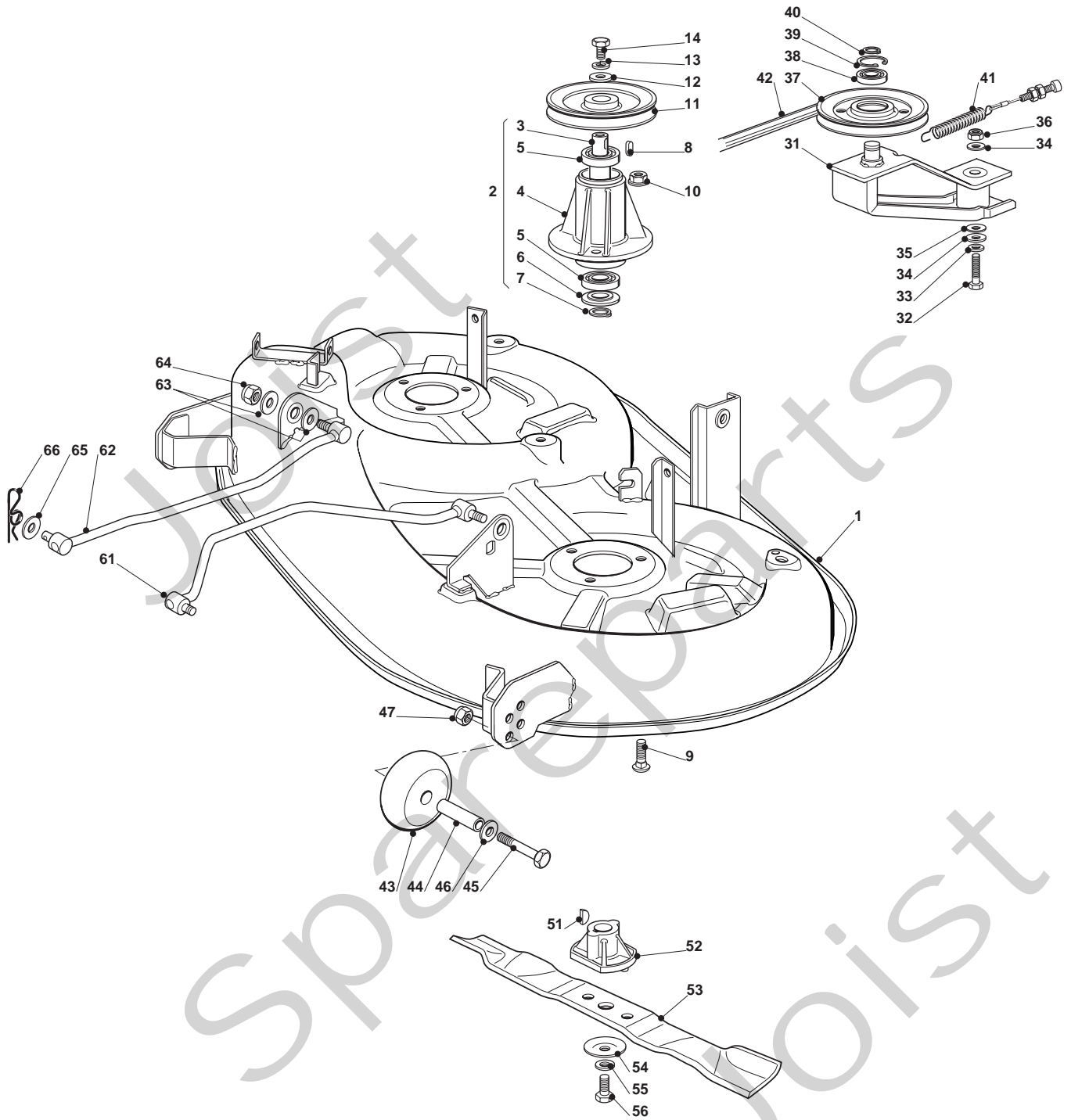
| Utgåva Issue | | Bildnr Picture No | | ESTATE TORNADO HST TRANSMISSION | | ESTATE TORNADO HST TRANSMISSION | | Sida Page | |
|-----------------|----------------|----------------------|--|------------------------------------|-------------------|------------------------------------|-----------------------|--------------|---------------------|
| 2008- 13 | | 2460 | | | | | | 84 | |
| Pos. Fig. | Antal/Quantity | | | | Art nr Part No | Benämning | Description | Sats Kit | Anmärkning Notes |
| | 2538 | | | | | | | | |
| X 1 | 1 | | | | 118399063/0 | Magnetkoppling..... | Electric clutch | | |
| 2 | 1 | | | | 12737320/0 | Skruv | Screw | | |
| 3 | 1 | | | | 12543000/0 | Bricka | Washer | | |
| 4 | 1 | | | | 22430216/0 | Fjäder..... | Spring | | |
| 5 | 1 | | | | 25601566/0 | Remskiva..... | Belt pulley | | |
| 6 | 1 | | | | 25160021/0 | Distans | Spacer | | |
| 7 | 1 | | | | 82318217/0 | Spännarm | Tension arm | | |
| 8 | 1 | | | | 12691115/0 | Skruv | Screw | | |
| 9 | 1 | | | | 12523060/0 | Bricka | Washer | | |
| 10 | 1 | | | | 27670055/0 | Bricka | Washer | | |
| 11 | 1 | | | | 25510087/0 | Tapp..... | Pin | | |
| 12 | 1 | | | | 12523060/0 | Bricka | Washer | | |
| 13 | 8 | | | | 12155000/0 | Mutter..... | Nut | | |
| 14 | 1 | | | | 25601554/0 | Spännrulle | Tension roller | | |
| 15 | 1 | | | | 12523060/0 | Bricka | Washer | | |
| 17 | 1 | | | | 25430260/0 | Fjäder..... | Spring | | |
| 18 | 1 | | | | 25755049/0 | Vinkelfäste | Angle bracket | | |
| 19 | 1 | | | | 25840005/0 | Spännstång | Tie rod | | |
| 20 | 2 | | | | 12293200/0 | Mutter..... | Nut | | |
| 21 | 1 | | | | 12818690/0 | Skruv | Screw | | |
| 22 | 1 | | | | 12293201/0 | Mutter..... | Nut | | |
| 23 | 1 | | | | 35062001/0 | Kilrem..... | V- belt..... | | |
| X 41 | 1 | | | | 125510100/0 | Hylsa | Collar | | |
| 42 | 1 | | | | 12691800/0 | Skruv | Screw | | |
| 43 | 1 | | | | 25601555/0 | Remrulle..... | Belt roller | | |
| 44 | 1 | | | | 12523060/0 | Bricka | Washer | | |
| 46 | 1 | | | | 25160024/1 | Distans | Spacer | | |
| 47 | 1 | | | | 25160030/0 | Distans | Spacer | | |
| 48 | 1 | | | | 12691400/0 | Skruv | Screw | | |
| 49 | 1 | | | | 12691115/0 | Skruv | Screw | | |
| 50 | 2 | | | | 25601576/0 | Remrulle..... | Belt roller | | |
| 51 | 2 | | | | 22671653/0 | Bricka | Washer | | |
| 53 | 1 | | | | 18400960/0 | Transaxel kpl..... | Transaxle assy..... | | Kanzaki K46S |
| 54 | 4 | | | | 12691800/0 | Skruv | Screw | | |
| 55 | 4 | | | | 12154210/0 | Mutter..... | Nut | | |
| 56 | 1 | | | | 82785149/0 | Fäste | Support | | |
| 57 | 1 | | | | 12691200/0 | Skruv | Screw | | |
| 58 | 2 | | | | 12521350/0 | Bricka | Washer | | |
| 60 | 1 | | | | 12792611/0 | Skruv | Screw | | |
| 61 | 1 | | | | 12293201/0 | Mutter..... | Nut | | |
| 62 | 1 | | | | 25318157/0 | Arm | Lever | | |
| 63 | 1 | | | | 12793102/0 | Skruv | Screw | | |
| 64 | 1 | | | | 12369500/0 | Bricka | Washer | | |
| 65 | 1 | | | | 25670011/0 | Bricka | Washer | | |
| 67 | 1 | | | | 25033033/0 | Stång..... | Rod | | |
| 68 | 1 | | | | 12604896/0 | Låsbricka | Lock washer..... | | |
| 69 | 2 | | | | 25160031/0 | Distans | Spacer | | |
| 70 | 2-4 | | | | 12521410/0 | Bricka | Washer | | |
| 71 | 2 | | | | 25670017/0 | Bricka | Washer | | |
| 81 A | 2 | | | | 82680013/1 | Hjul kpl..... | Wheel assy..... | | Inkl. pos 82A- 84 |
| 82 A | 1 | | | | 82000596/0 | • Fälg | • Rim | | |
| 83 A | 1 | | | | 25590006/0 | • Däck | • Tire | | Kenda |
| 84 | 1 | | | | 25950000/0 | • Ventil | • Valve | | |
| 85 | 2 | | | | 25670005/1 | Bricka | Washer | | |
| 86 | 2 | | | | 12001010/0 | Låsring | Snap ring | | |
| 87 | 2 | | | | 22110230/0 | Lock..... | Cap..... | | |



| Utgåva Issue 2008- 13 | | Bildnr Picture No 2249 | | ESTATE BASIC ESTATE TORNADO AGGREGATSLYFT | | ESTATE BASIC ESTATE TORNADO MOWER DECK LIFT | | Sida Page 86 | |
|-----------------------------|----------------|------------------------------|------|---|-------------------|---|------------------|--------------------|---------------------|
| Pos. Fig. | Antal/Quantity | | | | Art nr Part No | Benämning | Description | Sats Kit | Anmärkning Notes |
| | 2570 | 2539 | 2538 | | | | | | |
| 1 | 1 | | | | 82774249/0 | Fäste | Clamp..... | | |
| 2 | 1 | | | | 82318219/0 | Lyftspak | Lift lever | | |
| 3 | 1 | | | | 25394508/0 | Knopp | Knob | | |
| 4 | 1 | | | | 12674700/0 | Skruv | Screw | | |
| 5 | 1 | | | | 12154510/0 | Mutter | Nut | | |
| 6 | 1 | | | | 25650113/0 | Platta | Plate | | |
| 7 | 2 | | | | 12818690/0 | Skruv | Screw | | |
| 8 | 2 | | | | 12155000/0 | Mutter | Nut | | |
| 9 | 2 | | | | 22041980/0 | Distans | Spacer | | |
| 10 | 2 | | | | 12523060/0 | Bricka | Washer | | |
| 11 | 1 | | | | 12691600/0 | Skruv | Screw | | |
| 12 | 1 | | | | 12155000/0 | Mutter | Nut | | |
| 13 | 1 | | | | 25430259/0 | Fjäder | Spring | | |
| 14 | 1 | | | | 25735511/0 | Sektor | Sector | | |
| 15 | 2 | | | | 12818690/0 | Skruv | Screw | | |
| 16 | 2 | | | | 12293201/0 | Mutter | Nut | | |
| 17 | 1 | | | | 82000387/0 | Axel | Axle | | |
| 18 | 2 | | | | 25547041/0 | Bygel | Clamp | | |
| 19 | 4 | | | | 12731601/0 | Skruv | Screw | | |
| 20 | 1 | | | | 82000536/0 | Stång kpl | Rod assy | | |
| 21 | 1 | | | | 25670011/0 | Bricka | Washer | | |
| 22 | 1 | | | | 24487998/0 | Låsnål | Hair pin | | |
| 23 | 1 | | | | 25670008/1 | Bricka | Washer | | |
| 24 | 1 | | | | 12436050/0 | Låsplatta | Plate | | |
| 25 | 1 | | | | 22446402/0 | Fjäder | Spring | | |
| 26 | 1 | | | | 12792410/0 | Skruv | Screw | | |
| 27 | 2 | | | | 12292102/0 | Mutter | Nut | | |
| 28 | 1 | | | | 82000537/0 | Stång kpl | Rod assy | | |
| 29 | 2 | | | | 25670008/1 | Bricka | Washer | | |
| 30 | 1 | | | | 12156602/0 | Mutter | Nut | | |
| 31 | 1 | | | | 24487998/0 | Låsnål | Hair pin | | |
| 32 | 1 | | | | 25840025/0 | Spännstång | Tie rod | | |
| 33 | 1 | | | | 25670008/1 | Bricka | Washer | | |
| 34 | 1 | | | | 24487998/0 | Låsnål | Hair pin | | |
| 35 | 1 | | | | 25510090/0 | Pivotbult | Pivot pin | | |
| 36 | 1 | | | | 12295200/0 | Mutter | Nut | | |
| 37 | 1 | | | | 12156602/0 | Mutter | Nut | | |
| 38 | 2 | | | | 25670008/1 | Bricka | Washer | | |
| 39 | 1 | | | | 12156602/0 | Mutter | Nut | | |
| 41 | 1 | | | | 82000385/0 | Lyftaxel | Lift axle | | |
| 42 | 2 | | | | 27546015/1 | Bygel | Clamp | | |
| 43 | 4 | | | | 12731350/0 | Skruv | Screw | | |
| 44 | 1 | | | | 25840024/0 | Spännstång | Tie rod | | |
| 45 | 1 | | | | 25670008/1 | Bricka | Washer | | |
| 46 | 1 | | | | 24487998/0 | Låsnål | Hair pin | | |
| 47 | 1 | | | | 25510098/0 | Pivotbult | Pivot pin | | |
| 48 | 1 | | | | 12295200/0 | Mutter | Nut | | |
| 49 | 1 | | | | 12156602/0 | Mutter | Nut | | |
| 50 | 2 | | | | 25670008/1 | Bricka | Washer | | |
| 51 | 1 | | | | 12156602/0 | Mutter | Nut | | |
| 52 | 1 | | | | 25840025/0 | Spännstång | Tie rod | | |
| 53 | 1 | | | | 25670008/1 | Bricka | Washer | | |
| 54 | 1 | | | | 24487998/0 | Låsnål | Hair pin | | |
| 55 | 1 | | | | 25510090/0 | Pivotbult | Pivot pin | | |
| 56 | 1 | | | | 12295200/0 | Mutter | Nut | | |
| 57 | 1 | | | | 12156602/0 | Mutter | Nut | | |
| 58 | 2 | | | | 25670008/1 | Bricka | Washer | | |
| 59 | 1 | | | | 12156602/0 | Mutter | Nut | | |



| Utgåva Issue | | Bildnr Picture No | | ESTATE BASIC ESTATE TORNADO UTKAST | | ESTATE BASIC ESTATE TORNADO DISCHARGE | | Sida Page | |
|-----------------|----------------|----------------------|------|--|-------------------|---|-----------------------------|--------------|---------------------|
| 2008- 13 | | 2461 | | | | | | 88 | |
| Pos. Fig. | Antal/Quantity | | | | Art nr Part No | Benämning | Description | Sats Kit | Anmärkning Notes |
| | 2570 | 2539 | 2538 | | | | | | |
| X 1 | 2 | | | | 25060106/0 | Remkåpa | Belt cover | | |
| 1 | 2 | | | | 25060117/0 | Remkåpa | Belt cover | | |
| 2 | 4 | | | | 12735110/0 | Skruv | Screw | | |
| 5 | 1 | | | | 25270313/0 | Remstyrning | Belt guide | | |
| 6 | 2 | | | | 12293201/0 | Mutter | Nut | | |
| 7 | 2 | | | | 12155000/0 | Mutter | Nut | | |
| X 8 | 1 | | | | 125270327/0 | Remstyrning | Belt guide | | |
| 9 | 2 | | | | 12293201/0 | Mutter | Nut | | |
| 10 | 2 | | | | 12155000/0 | Mutter | Nut | | |
| 11 | 2 | | | | 25033060/0 | Vattenslanganslutning | Water hose connection | | |
| 12 | 2 | | | | 19035000/0 | O- ring | O- ring | | |
| 13 | 2 | | | | 12500030/0 | Nit | Rivet | | |
| 31 | 1 | | | | 25600056/0 | Utkastskärm | Discharge chute | | |
| 32 | 1 | | | | 25510073/0 | Sprint | Pin | | |
| 33 | 1 | | | | 25430242/0 | Fjäder | Spring | | |
| 34 | 1 | | | | 12141418/0 | Låsnål | Hair pin | | |
| 42 | 1 | | | | 25190092/0 | Deflektor | Deflector | | |
| 43 | 1 | | | | 25510022/0 | Sprint | Pin | | |
| 44 | 1 | | | | 24487998/0 | Låsnål | Hair pin | | |



| Utgåva Issue 2008- 13 | | Bildnr Picture No 2462 | | ESTATE BASIC ESTATE TORNADO KLIPPAGGREGAT | | ESTATE BASIC ESTATE TORNADO MOWER DECK | | Sida Page 90 | |
|-----------------------------|----------------|------------------------------|------|---|-------------------|--|-------------------------|--------------------|---------------------|
| Pos. Fig. | Antal/Quantity | | | | Art nr Part No | Benämning | Description | Sats Kit | Anmärkning Notes |
| | 2570 | 2539 | 2538 | | | | | | |
| X | 1 | 1 | | | 382564083/0 | Klippaggr.kåpa | Mower deck casing | | Inkl. pos 3-7 |
| | 2 | 2 | | | 82207202/0 | Lagerbox kpl..... | Bearing box assy..... | | |
| | 3 | 1 | | | 25020802/0 | • Knivaxel | • Blade shaft | | |
| | 4 | 1 | | | 25207200/0 | • Lagerbox..... | • Bearing box | | |
| | 5 | 2 | | | 19216032/0 | • Kullager | • Ball bearing | | |
| | 6 | 1 | | | 25160501/0 | • Dammskydd | • Dust cover..... | | |
| | 7 | 1 | | | 12609260/0 | • Seegerring | • Seeger ring..... | | |
| | 8 | 2 | | | 12139480/0 | Kil | Key | | |
| | 9 | 6 | | | 12818700/0 | Skruv | Screw | | |
| | 10 | 6 | | | 12154210/0 | Mutter..... | Nut | | |
| | 11 | 2 | | | 25601571/0 | Remskiva..... | Belt pulley | | |
| | 12 | 2 | | | 25670007/0 | Bricka | Washer..... | | |
| | 13 | 2 | | | 12583500/0 | Låsbricka | Washer | | |
| | 14 | 2 | | | 12793102/0 | Skruv | Screw | | |
| | 31 | 1 | | | 82318141/2 | Spännarm | Tension arm | | |
| | 32 | 1 | | | 12691900/0 | Skruv | Screw | | |
| X | 33 | 1 | | | 125160041/0 | Bricka | Washer..... | | |
| | 34 | 2 | | | 12523070/0 | Bricka | Washer..... | | |
| | 35 | 1 | | | 22672152/0 | Bricka | Washer..... | | |
| | 36 | 1 | | | 12155000/0 | Mutter | Nut | | |
| | 37 | 1 | | | 25601572/0 | Spännrulle | Tension roller | | |
| | 38 | 1 | | | 19216033/1 | Kullager | Ball bearing | | |
| | 39 | 1 | | | 12610800/0 | Låsring | Snap ring | | |
| | 40 | 1 | | | 12609200/0 | Seegerring | Seeger ring | | |
| X | 41 | 1 | | | 382004619/0 | Wire..... | Wire | | |
| | 42 | 1 | | | 35061503/0 | Kilrem | V- belt..... | | |
| | 43 | 2 | | | 82700002/0 | Kåphjul | Wheel..... | | |
| | 44 | 2 | | | 25510072/0 | Distans | Spacer | | |
| | 45 | 2 | | | 12692050/0 | Skruv | Screw | | |
| | 46 | 2 | | | 12523060/0 | Bricka | Washer..... | | |
| | 47 | 2 | | | 12293201/0 | Mutter..... | Nut | | |
| | 51 | 2 | | | 12139100/0 | Kil | Key | | |
| | 52 | 2 | | | 25463200/0 | Knivfäste..... | Blade holder | | |
| | 53 | 2 | | | 82004346/0 | Kniv | Blade | | |
| | 54 | 2 | | | 22160400/0 | Bricka | Elastic washer | | |
| | 55 | 2 | | | 12523080/0 | Bricka | Washer..... | | |
| | 56 | 2 | | | 12735694/0 | Skruv | Screw | | |
| | 61 | 1 | | | 82000535/0 | Stång | Equalizer rod | | |
| | 62 | 1 | | | 82000533/0 | Stång | Equalizer rod | | |
| | 63 | 4 | | | 25670008/1 | Bricka | Washer..... | | |
| | 64 | 2 | | | 12156602/0 | Mutter..... | Nut | | |
| | 65 | 2 | | | 25670008/1 | Bricka | Washer..... | | |
| | 66 | 2 | | | 24487998/0 | Låsnål..... | Hair pin | | |