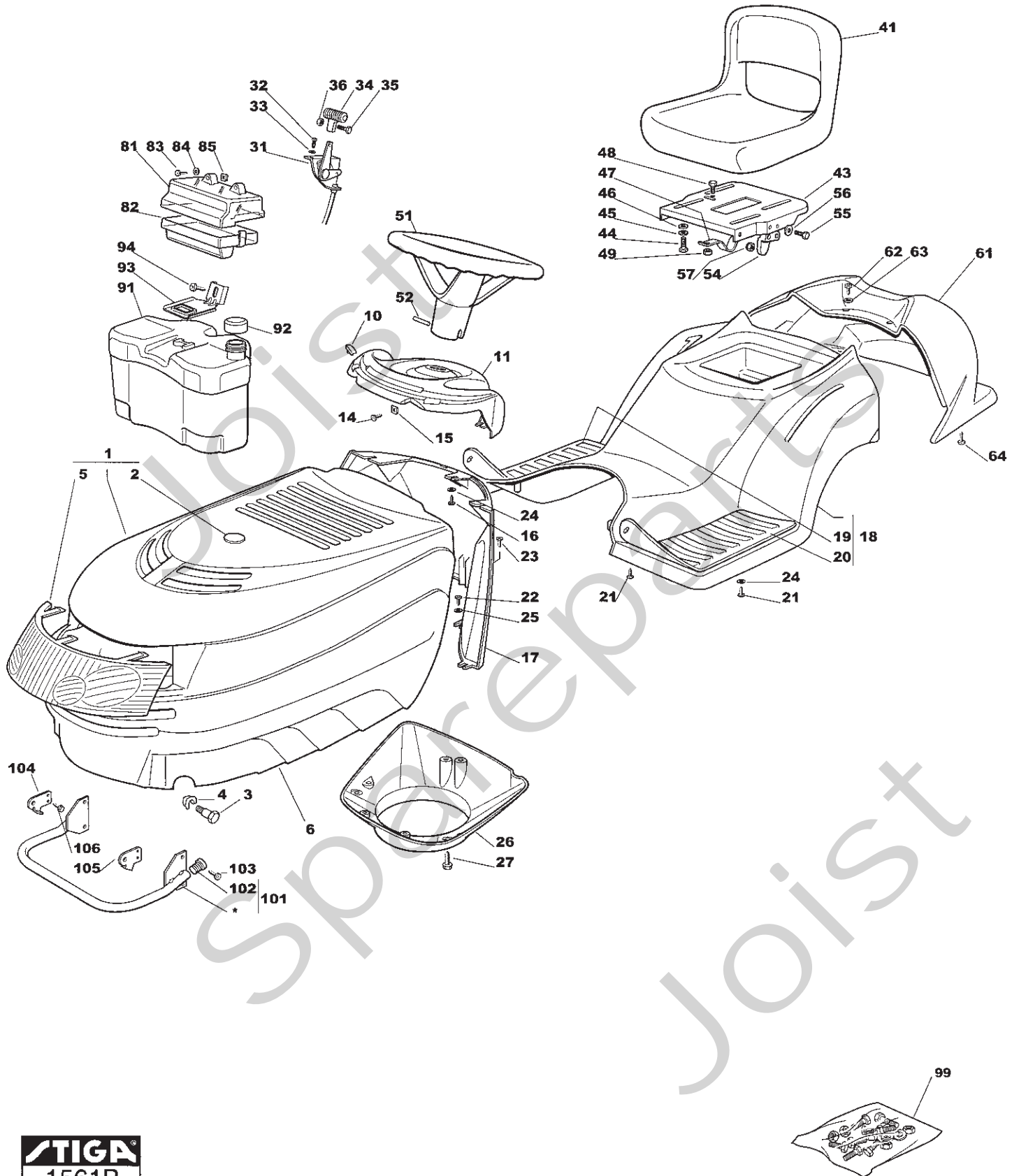


Genuine Spare Parts

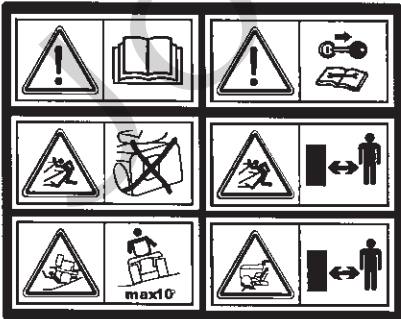
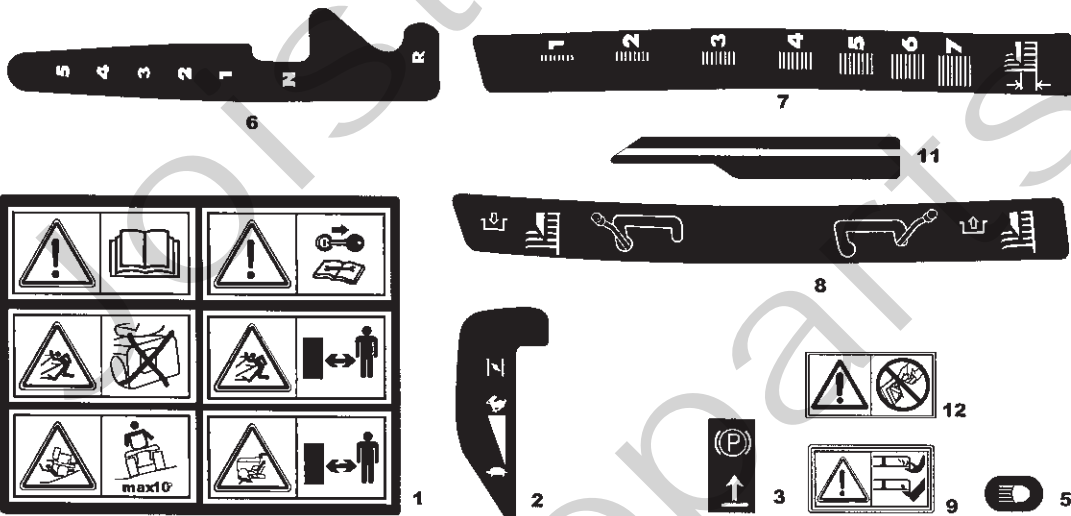


Joist
Spareparts
Joist



Utgåva Issue		Bildnr Picture No		ESTATE TORNADO ESTATE TORNADO HST KAROSS		ESTATE TORNADO ESTATE TORNADO HST BODY WORK		Sida Page	
2005-13		1561B						128	
Pos. Fig.	Antal/Quantity			Art nr Part No	Benämning	Description	Sats Kit	Anmärkning Notes	
	2521	2522							
1	1	1		1136-1038-01	Motorhuv.....	Engine hood.....		Inkl. pos 2, 5	
2	1	1		1136-0905-01	• Platta.....	• Plate.....			
3	2	2		1136-0230-01	Bult.....	Bolt.....			
4	2	2		1136-0009-01	Låsplatta.....	Lock plate.....			
5	1	1		1136-0888-01	• Grill.....	• Grill.....			
6	1	1		1136-0866-01	Motorhuv- nedre.....	Engine hood- lower.....			
10	2	2		1136-0179-01	Huvskydd.....	Grommet.....			
11	1	1		1136-0871-01	Instrumentbräda.....	Dashboard.....			
14	2	2		9848-8013-16	Skruv.....	Screw.....			
15	2	2		1136-0010-01	Låsplatta.....	Lock plate.....			
16	3	3		9836-9618-12	Skruv.....	Screw.....			
17	1	1		1136-0926-01	Stöd.....	Support.....			
18	1			1136-0475-01	Hjulkåpa.....	Wheel cover.....	Inkl. pos 19, 20		
18		1		1136-0476-01	Hjulkåpa.....	Wheel cover.....		Inkl. pos 19, 20	
19	1	1		1136-0148-01	• Fotstegsskydd- hö.....	• Footboard cover- RH.....			
20	1	1		1136-0147-01	• Fotstegsskydd- vä.....	• Footboard cover- LH.....			
21	6	6		9836-9635-12	Skruv.....	Screw.....			
22	4	4		9836-9618-12	Skruv.....	Screw.....			
23	1	1		9836-9525-12	Skruv.....	Screw.....			
24	5	5		9699-0060-02	Planbricka.....	Flat washer.....			
25	4	4		9699-0085-02	Planbricka.....	Flat washer.....			
26	1	1		1136-1783-01	Kåpa.....	Conveyor.....			
27	3	3		9836-9516-12	Skruv.....	Screw.....			
31	1	1		1136-0440-01	Gasreglage.....	Throttle control.....			
32	2	2		9997-0412-16	Skruv.....	Screw.....			
33	2	2		9683-0010-02	Bricka.....	Washer.....			
34	1	1		1136-0192-01	Knopp.....	Handle.....			
35	1	1		9865-0412-16	Skruv.....	Screw.....			
36	1	1		9799-0431-02	Mutter.....	Nut.....			
41	1	1		1136-0315-01	Sits.....	Seat.....			
43	1	1		1136-0252-01	Sitsplatta.....	Seat plate.....			
44	4	4		9997-0820-16	• Skruv.....	• Screw.....			
45	4	4		9683-0030-02	• Låsbricka.....	• Lock washer.....			
46	4	4		9699-0056-02	• Planbricka.....	• Flat washer.....			
47	1	1		1136-0891-01	Fjäder.....	Spring.....			
48	1	1		9997-0512-16	Skruv.....	Screw.....			
49	1	1		9747-0531-02	Mutter.....	Nut.....			
51	1	1		1136-0360-01	Ratt.....	Steering wheel.....			
52	1	1		9595-0272-00	• Stift.....	• Pin.....			
54	1	1		1136-0942-01	Kam.....	Cam.....			
55	2	2		1136-0820-01	Skruv.....	Screw.....			
56	2	2		9699-0018-02	Bricka.....	Washer.....			
57	2	2		9747-0531-02	Mutter.....	Nut.....			
61	1	1		1136-0869-01	Kåpa.....	Cover.....			
62	2	2		9836-9635-12	Skruv.....	Screw.....			
63	2	2		9699-0035-02	Planbricka.....	Flat washer.....			
64	2	2		9836-9618-12	Skruv.....	Screw.....			
81	1	1		1136-0275-01	Skydd- övre.....	Guard- upper.....			
82	1	1		1136-0276-01	Skydd- nedre.....	Guard- lower.....			
83	2	2		9847-8038-16	Skruv.....	Screw.....			
84	2	2		9699-0024-02	Planbricka.....	Flat washer.....			
85	2	2		1136-0010-01	Låsplatta.....	Lock plate.....			
91	1	1		1136-0318-01	Bränsletank.....	Fuel tank.....			
92	1	1		1136-0344-01	Tanklock.....	Tank cap.....			
93	1	1		1136-0327-01	Tankfäste.....	Tank support.....			
94	1	1		9848-8013-16	Skruv.....	Screw.....			
99	1	1		1136-1108-01	Tillbehörspåse.....	Key outfit.....	Inkl. pos 44 - 46, 52		
101	1	1		1136-0553-01	Ljuddämparskydd.....	Muffler protection.....		Inkl. pos 102	
102	2	2		1136-0061-01	• Plugg.....	• Cap.....			
103	4	4		9847-8216-16	Skruv.....	Screw.....			
104	1	1		1136-0259-01	Huvfäste- hö.....	Hood plate- RH.....			
105	1	1		1136-0260-01	Huvfäste- vä.....	Hood plate- LH.....			
106	4	4		9847-8009-16	Skruv.....	Screw.....			

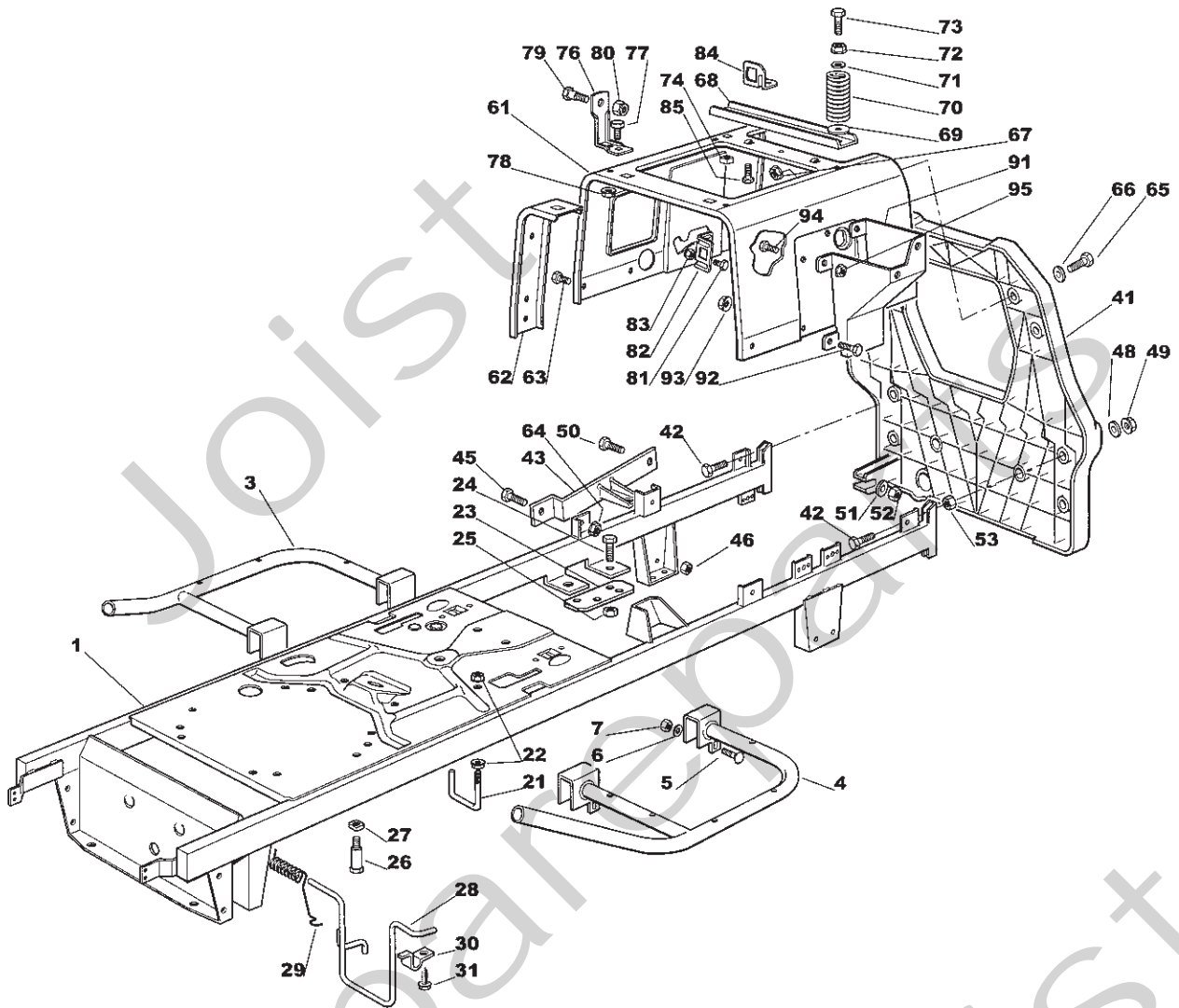
X



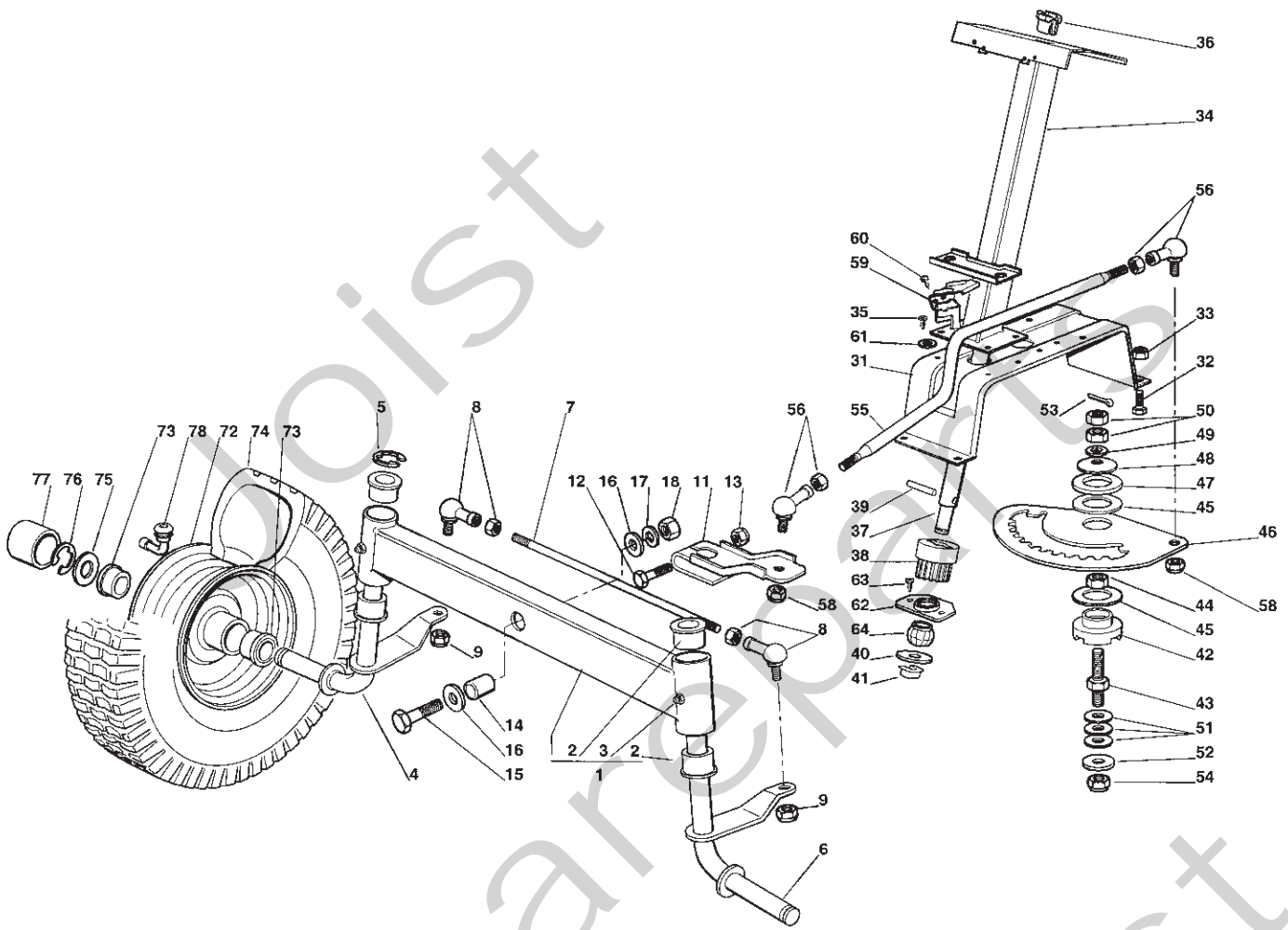
Utgåva Issue		Bildnr Picture No		ESTATE TORNADO ESTATE TORNADO HST DEKALER		ESTATE TORNADO ESTATE TORNADO HST LABELS		Sida Page	
2005- 13		1562A						130	
Pos. Fig.	Antal/Quantity			Art nr Part No	Benämning	Description	Sats Kit	Anmärkning Notes	
	2521	2522							
1	1	1		1136-0832-01	Dekal	Label			
2	1	1		1136-0026-01	Dekal	Label			
3	1	1		1136-0020-01	Dekal	Label			
5	1	1		1136-0031-01	Dekal	Label			
6	1			1136-0027-01	Dekal	Label			
7	1	1		1136-0028-01	Dekal	Label			
8	1	1		1136-0029-01	Dekal	Label			
9	1	1		1136-0021-01	Dekal	Label			
11	1	1		1136-1217-01	Dekal	Label			
12	1	1		1136-1635-01	Dekal	Label			
99	2	2		1136-1447-01	Dekal "Tornado"	Label "Tornado"		Ej ill/not ill. Ø 55 mm 140 x 33 mm	
99	1	1		1136-1451-01	Dekal "STIGA"	Label "STIGA"			
99	3	3		1136-1453-01	Dekal "STIGA"	Label "STIGA"			

X

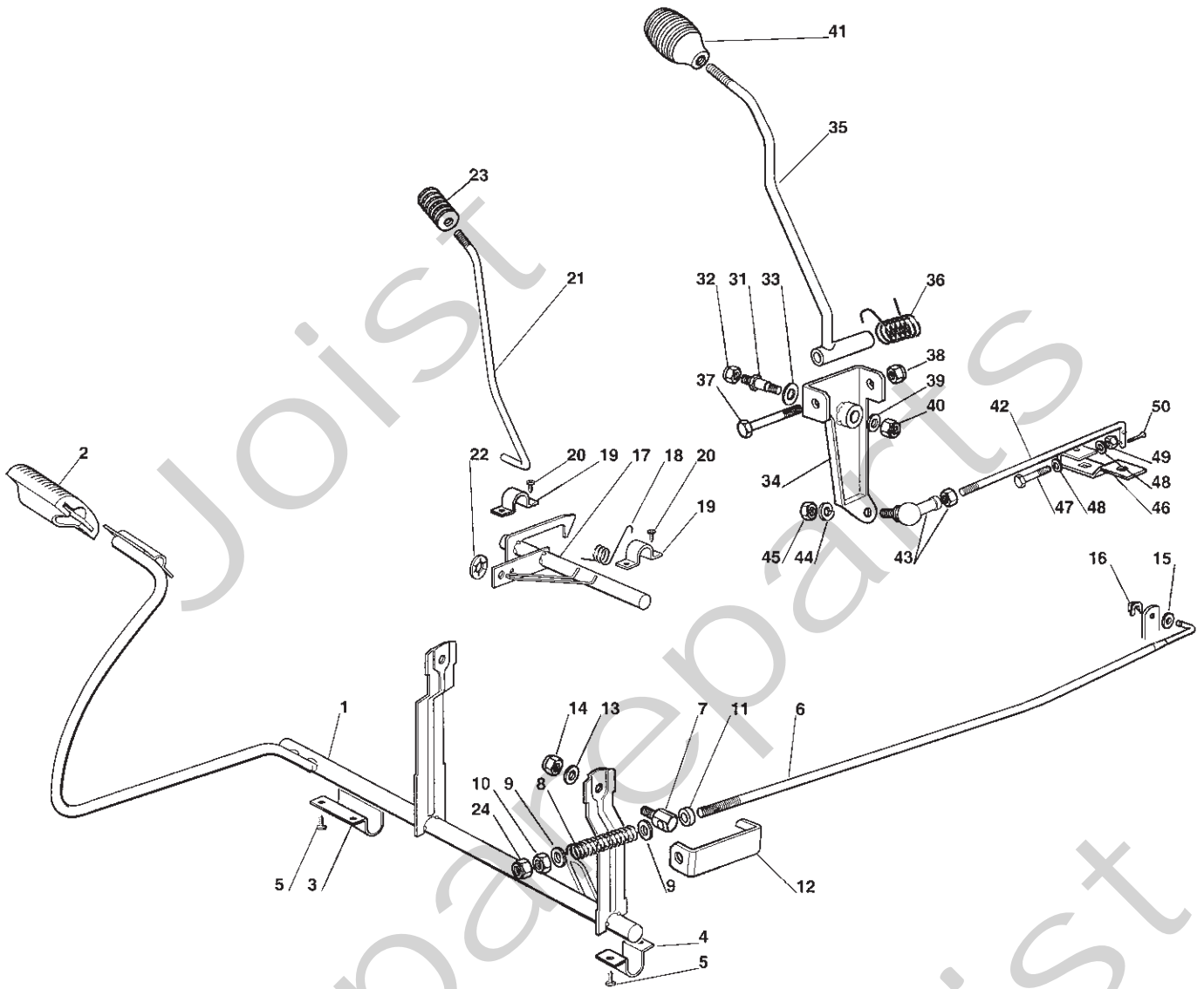
Joist Spareparts



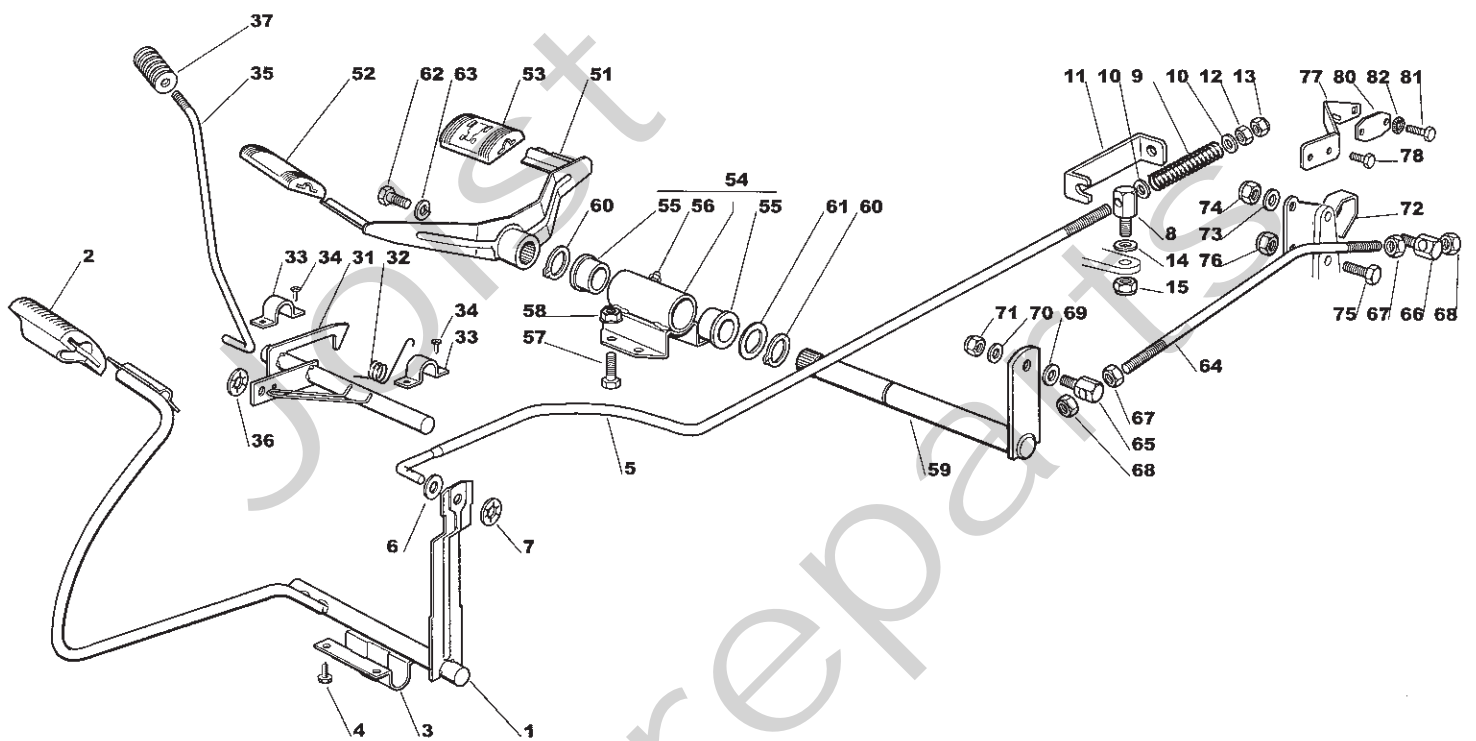
Utgåva Issue		Bildnr Picture No		ESTATE TORNADO ESTATE TORNADO HST CHASSI		ESTATE TORNADO ESTATE TORNADO HST CHASSIS		Sida Page	
2005- 13		1563B						132	
Pos. Fig.	Antal/Quantity			Art nr Part No	Benämning	Description	Sats Kit	Anmärkning Notes	
	2521	2522							
1	1	1		1136-1499-01	Ram.....	Frame.....			
3	1	1		1136-0548-01	Fotstegsstöd- hö.....	Footboard support- RH.....			
4	1	1		1136-0549-01	Fotstegsstöd- vä.....	Footboard support- LH.....			
5	4	4		9898-0645-12	Skruv.....	Screw.....			
6	4	4		9699-0060-02	Planbricka.....	Flat washer.....			
7	4	4		9747-0631-02	Låsmutter.....	Lock nut.....			
21		1		1136-0267-01	Remstyrning.....	Belt guide.....			
22		2		9739-0631-22	Mutter.....	Nut.....			
23		2		1136-0261-01	Platta.....	Plate.....			
24		2		9997-0820-16	Skruv.....	Screw.....			
25		2		9747-0831-02	Mutter.....	Lock nut.....			
26	2			1136-0907-01	Remstyrning.....	Belt guide.....			
27	2			1136-0004-01	Fyrkantmutter.....	Square nut.....			
28	1	1		1136-0881-01	Remstyrning.....	Belt guide.....			
29	1	1		1136-0896-01	Fjäder.....	Spring.....			
30	2	2		1136-1247-01	Platta.....	Plate.....			
31	2	2		9847-8216-16	Skruv.....	Screw.....			
41	1	1		1136-0906-01	Plåt- bak.....	Plate- rear.....			
42	2	2		9997-0825-16	Skruv.....	Screw.....			
43	1	1		1136-1051-01	Förstärkning.....	Reinforcement.....			
45	1	1		9997-0816-16	Skruv.....	Screw.....			
46	1	1		9739-0831-22	Mutter.....	Nut.....			
48	2	2		9699-0056-02	Planbricka.....	Flat washer.....			
49	2	2		9747-0831-02	Mutter.....	Lock nut.....			
50	1	1		9997-0840-16	Skruv.....	Screw.....			
51	1	1		9699-0090-02	Planbricka.....	Flat washer.....			
52	1	1		9747-0831-02	Mutter.....	Lock nut.....			
53	2	2		9739-0831-22	Mutter.....	Nut.....			
61	1	1		1136-0337-01	Sitsfäste.....	Seat support.....			
62	2	2		1136-0301-01	Förstärkningsstag.....	Reinforcement plate.....			
63	4	4		9997-0614-16	Skruv.....	Screw.....			
64	4	4		9739-0631-22	Mutter.....	Nut.....			
65	4	4		9997-0620-16	Skruv.....	Screw.....			
66	4	4		9699-0060-02	Planbricka.....	Flat washer.....			
67	4	4		9747-0631-02	Låsmutter.....	Lock nut.....			
68	1	1		1136-0302-01	Förstärkningsstag.....	Reinforcement plate.....			
69	2	2		9699-0056-02	Planbricka.....	Flat washer.....			
70	2	2		1136-0202-01	Fjäder.....	Spring.....			
71	2	2		9699-0090-02	Planbricka.....	Flat washer.....			
72	2	2		9739-0831-22	Mutter.....	Nut.....			
73	2	2		1136-0358-01	Skruv.....	Screw.....			
74	2	2		1136-0003-01	Fyrkantmutter.....	Square nut.....			
76	2	2		1136-0321-01	Vinkelfäste.....	Bracket.....			
77	2	2		9997-0816-16	Skruv.....	Screw.....			
78	2	2		9739-0831-22	Mutter.....	Nut.....			
79	2	2		1136-0086-01	Bult.....	Bolt.....			
80	2	2		9712-0831-02	Låsmutter.....	Lock nut.....			
81	2	2		9997-0512-16	Skruv.....	Screw.....			
82	1	1		1136-0322-01	Vinkelfäste.....	Bracket.....			
83	2	2		9747-0531-02	Mutter.....	Nut.....			
84	1	1		1136-0925-01	Vinkelfäste.....	Angle bracket.....			
85	2	2		9847-8009-16	Skruv.....	Screw.....			
91	1	1		1136-0333-01	Stöd.....	Support.....			
92	2	2		9997-0614-16	Skruv.....	Screw.....			
93	2	2		9739-0631-22	Mutter.....	Nut.....			
94	2	2		9997-0614-16	Skruv.....	Screw.....			
95	2	2		9739-0631-22	Mutter.....	Nut.....			



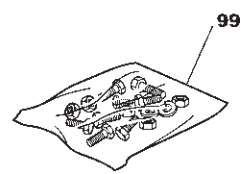
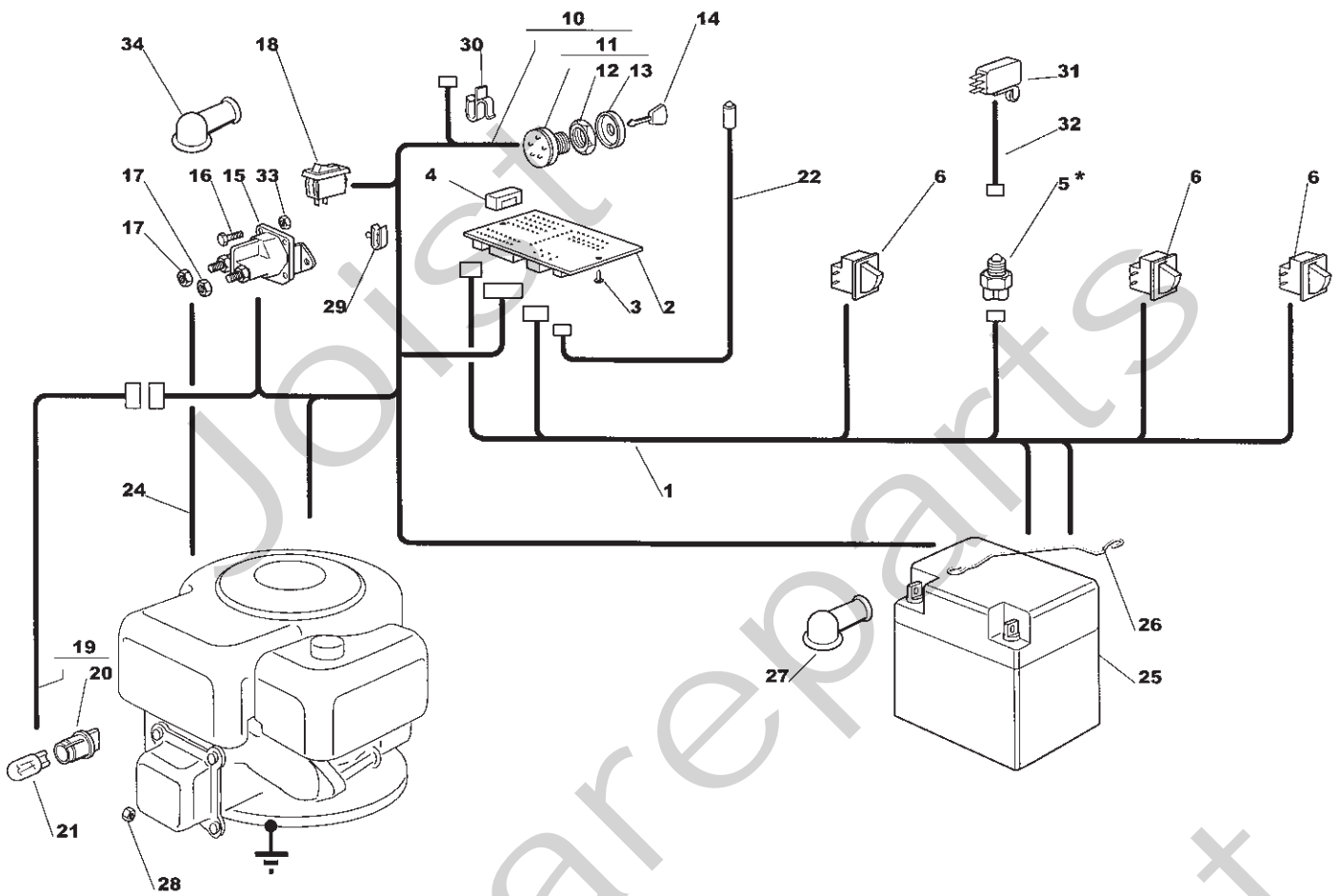
Utgåva Issue 2005-13		Bildnr Picture No 1213B		ESTATE TORNADO ESTATE TORNADO HST STYRNING		ESTATE TORNADO ESTATE TORNADO HST STEERING		Sida Page 134	
Pos. Fig.	Antal/Quantity			Art nr Part No	Benämning	Description	Sats Kit	Anmärkning Notes	
	2521	2522							
1	1	1		1136-0466-01	Framaxel kpl	Front wheel axle assy		Inkl. pos 2, 3	
2	4	4		1136-0121-01	• Bussning	• Bushing			
3	2	2		9501-0500-00	• Smörjnippel	• Grease joint			
4	1	1		1136-0485-01	Hjulspindel- hö	Stub axle- RH			
5	1	1		9652-0015-04	Låsring	Retaining ring			
6	1	1		1136-0486-01	Hjulspindel- vä	Stub axle- LH			
7	1	1		1136-0349-01	Parallellstag	Tie rod			
8	2	2		1136-0092-01	Kulled	Ball joint			
9	2	2		9747-1031-02	Låsmutter	Lock nut			
11	1	1		1136-0188-01	Styram	Steering arm			
12	1	1		9997-1055-12	Skruv	Screw			
13	1	1		9747-1031-02	Låsmutter	Lock nut			
14	1	1		1136-0165-01	Distans	Spacer			
15	1	1		9997-1260-02	Skruv	Screw			
16	2	2		1136-0016-01	Bricka	Washer			
17	1	1		9683-0055-02	Låsbricka	Lock washer			
18	1	1		9799-1231-02	Mutter	Nut			
31	1	1		1136-0335-01	Stöd	Support			
32	4	4		9997-0816-16	Skruv	Screw			
33	4	4		9747-0831-02	Mutter	Lock nut			
34	1	1		1136-1496-01	Fäste	Support			
35	4	4		9847-8216-16	Skruv	Screw			
36	1	1		1136-1469-01	Bussning	Bushing			
37	1	1		1136-1471-01	Rattstång	Steering column			
38	1	1		1136-0263-01	Styrdrev	Steering pinion			
39	1	1		9595-0262-00	Spännstift	Locating pin			
40	1	1		9699-0037-02	Bricka	Washer			
41	1	1		1136-0008-01	Låsplatta	Lock plate			
42	1	1		1136-0128-01	Bussning	Bushing			
43	1	1		1136-0246-01	Pinnbult	Stud bolt			
44	1	1		9799-1031-02	Mutter	Nut			
45	2	2		1136-0310-01	Bricka	Washer			
46	1	1		1136-0320-01	Styrsektor	Steering sector			
47	1	1		1136-0311-01	Bricka	Washer			
48	1	1		1136-0083-01	Fjäderbricka	Elastic washer			
49	1	1		9699-0035-02	Planbricka	Flat washer			
50	2	2		9799-1031-02	Mutter	Nut			
51	3	3		1136-0087-01	Bricka	Washer			
52	1	1		1136-0015-01	Bricka	Washer			
53	1	1		9599-0070-02	Saxsprint	Split pin			
54	1	1		9747-1031-02	Låsmutter	Lock nut			
55	1	1		1136-0111-01	Styrstag	Steering rod			
56	2	2		1136-0092-01	Kulled	Ball joint			
58	2	2		9747-1031-02	Låsmutter	Lock nut			
59		1		1136-0279-01	Brytarskydd	Micro protection			
60		2		9847-7813-16	Skruv	Screw			
61	2	2		9699-0035-02	Planbricka	Flat washer			
62	1	1		1136-1477-01	Stöd	Support			
63	2	2		9847-8116-16	Skruv	Screw			
64	1	1		1136-1473-01	Länk	Joint			
72	2	2		1136-0454-01	Fälg	Rim			
73	4	4		1136-0157-01	Lager	Bearing			
74	2	2		1136-0269-01	Däck (Turf Saver)	Tire (Turf Saver)			
74	2	2		1136-0271-01	Däck (Deli)	Tire (Deli)			
75	2	2		1136-0305-01	Bricka	Washer			
76	2	2		9652-0015-04	Låsring	Retaining ring			
77	2	2		1136-0081-01	Navkapsel	Hub cap			
78	2	2		1136-0359-01	Ventil	Valve			



Utgåva Issue	Bildnr Picture No	ESTATE TORNADO BROMSREGLAGE VÄXELREGLAGE	ESTATE TORNADO BRAKE CONTROL GEAR SHIFTER CONTROL	Sida Page				
2005- 13	1214A			136				
Pos. Fig.	Antal/Quantity			Art nr Part No	Benämning	Description	Sats Kit	Anmärkning Notes
	2521							
1	1			1136-0506-01	Bromspedal	Brake pedal		
2	1			1136-0152-01	Pedalskydd	Pedal cover		
3	1			1136-0254-01	Bygel	Clamp		
4	1			1136-0255-01	Bygel	Clamp		
5	6			9847-8016-16	Skruv	Screw		
6	1			1136-0116-01	Bromsstång	Brake rod		
7	1			1136-0244-01	Ledbult	Pivot bolt		
8	1			1136-0218-01	Fjäder	Spring		
9	2			9699-0035-02	Planbricka	Flat washer		
10	1			9799-1031-02	Mutter	Nut		
11	1			1136-0172-01	Distans	Spacer		
12	1			1136-0329-01	Bygel	Clamp		
13	1			9699-0060-02	Planbricka	Flat washer		
14	1			9747-0631-02	Låsmutter	Lock nut		
15	1			9699-0090-02	Planbricka	Flat washer		
16	1			1136-0009-01	Låsplatta	Lock plate		
17	1			1136-0441-01	Spärraxel	Axle		
18	1			1136-0217-01	Fjäder	Spring		
19	2			1136-0256-01	Bygel	Plate		
20	4			9847-8016-16	Skruv	Screw		
21	1			1136-0119-01	P- bromsarm	P- brake lever		
22	1			9675-0011-00	Starlock	Starlock		
23	1			1136-0392-01	Knopp	Knob		
24	1			9747-1031-02	Låsmutter	Lock nut		
31	1			1136-0233-01	Pinnbult	Stud bolt		
32	1			9712-0831-02	Låsmutter	Lock nut		
33	1			1136-0088-01	Bricka	Washer		
34	1			1136-0529-01	Spakhållare	Gear lever bracket		
35	1			1136-0490-01	Växelspak	Gear lever		
36	1			1136-0212-01	Fjäder	Spring		
37	1			9997-0880-16	Skruv	Screw		
38	1			9747-0831-02	Mutter	Lock nut		
39	1			9699-0056-02	Planbricka	Flat washer		
40	1			9712-0831-02	Låsmutter	Lock nut		
41	1			1136-0197-01	Handtag	Knob		
42	1			1136-0107-01	Växelstag	Shifter rod		
43	1			1136-0093-01	Kulled	Ball joint		
44	1			9683-0030-02	Låsbricka	Lock washer		
45	1			9799-0831-02	Mutter	Nut		
46	1			1136-0187-01	Växelarm	Gearshift arm		
47	1			9997-0640-12	Skruv	Screw		
48	2			9699-0035-02	Planbricka	Flat washer		
49	1			9747-0631-02	Låsmutter	Lock nut		
50	1			9599-0070-02	Saxsprint	Split pin		



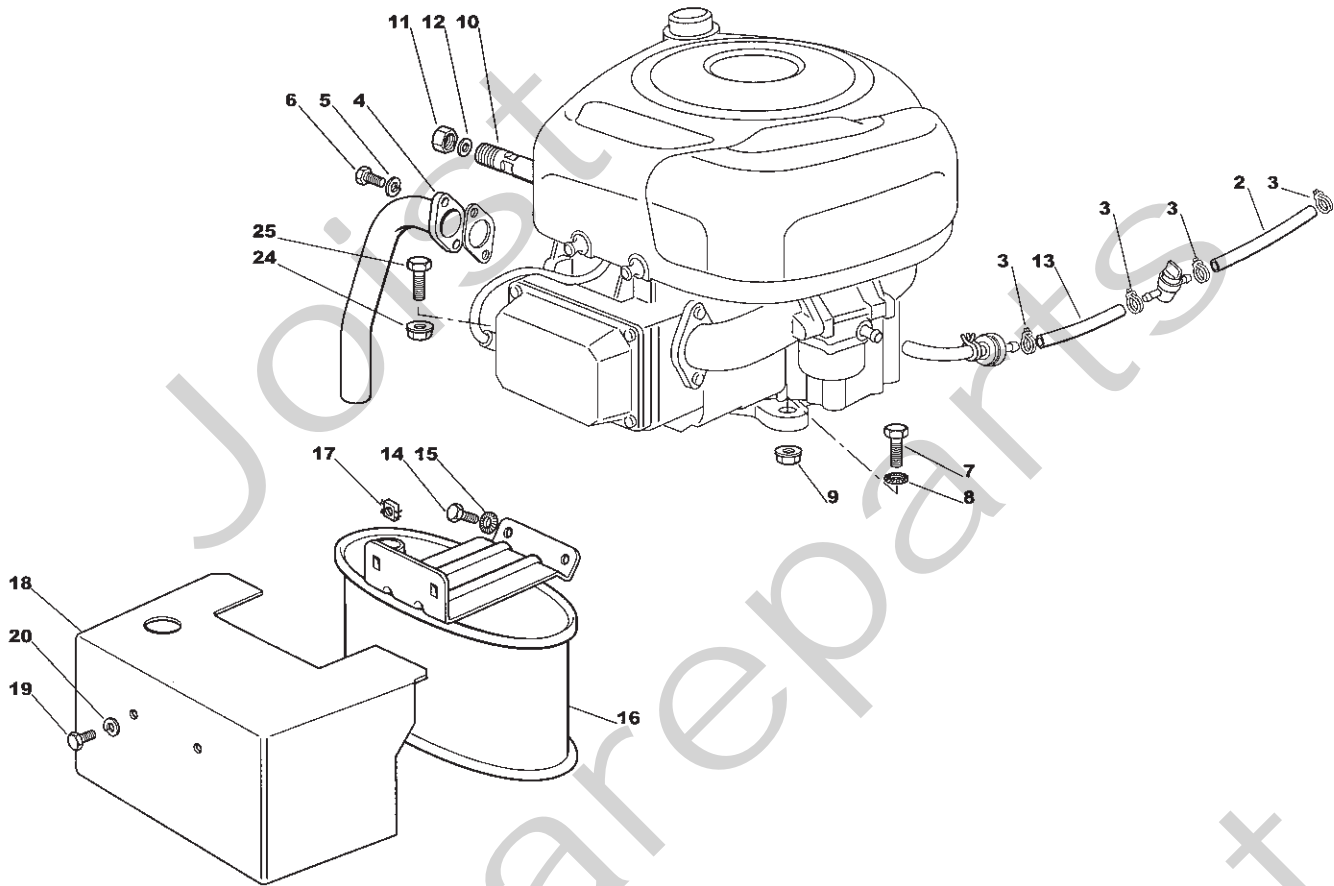
Utgåva Issue		Bildnr Picture No		ESTATE TORNADO HST BROMSREGLAGE DRIVREGLAGE		ESTATE TORNADO HST BRAKE CONTROL DRIVE CONTROL		Sida Page	
2005-13		1215B						138	
Pos. Fig.	Antal/Quantity			Art nr Part No	Benämning	Description	Sats Kit	Anmärkning Notes	
	2522								
1	1			1136-0510-01	Pedal	Pedal			
2	1			1136-0151-01	Pedalskydd	Pedal cover			
3	1			1136-0254-01	Bygel	Clamp			
4	4			9847-8016-16	Skruv	Screw			
5	1			1136-0117-01	Bromsstång	Brake rod			
6	1			9699-0090-02	Planbricka	Flat washer			
7	1			9675-0012-02	Starlock	Locking washer			
8	1			1136-0248-01	Ledbult	Pivot bolt			
9	1			1136-0218-01	Fjäder	Spring			
10	2			9699-0035-02	Planbricka	Flat washer			
11	1			1136-0329-01	Bygel	Clamp			
12	1			9799-1031-02	Mutter	Nut			
13	1			9747-1031-02	Låsmutter	Lock nut			
14	1			9699-0090-02	Planbricka	Flat washer			
15	1			9747-0831-02	Mutter	Lock nut			
31	1			1136-0441-01	Spärraxel	Axle			
32	1			1136-0217-01	Fjäder	Spring			
33	2			1136-0256-01	Bygel	Plate			
34	4			9847-8016-16	Skruv	Screw			
35	1			1136-0119-01	P- bromsarm	P- brake lever			
36	1			9675-0011-00	Starlock	Starlock			
37	1			1136-0392-01	Knopp	Knob			
51	1			1136-0507-01	Drivpedal	Drive pedal			
52	1			1136-0149-01	Pedalskydd- fram	Pedal cover- front			
53	1			1136-0150-01	Pedalskydd- bak	Pedal cover- rear			
54	1			1136-1495-01	Fäste kpl	Support assy		Inkl. pos 55 - 56	
55	2			1136-0121-01	• Bussning	• Bushing			
56	1			9501-0500-00	• Smörjnippel	• Grease joint			
57	2			9997-0616-16	Skruv	Screw			
58	2			9739-0631-22	Mutter	Nut			
59	1			1136-0500-01	Pedalaxel	Pedal axle			
60	2			9650-0020-04	Spårring	Circlip			
61	1			1136-0090-01	Bricka	Washer			
62	1			9997-0816-16	Skruv	Screw			
63	1			9683-0030-02	Låsbricka	Lock washer			
64	1			1136-0118-01	Stag	Drive rod			
65	1			1136-0241-01	Ledbult	Pivot bolt			
66	1			1136-0247-01	Ledbult	Pivot bolt			
67	2			9799-0831-02	Mutter	Nut			
68	2			9747-0831-02	Mutter	Lock nut			
69	1			9699-0035-02	Planbricka	Flat washer			
70	1			9699-0060-02	Planbricka	Flat washer			
71	1			9747-0631-02	Låsmutter	Lock nut			
72	1			1136-0533-01	Fäste	Support			
73	1			9699-0060-02	Planbricka	Flat washer			
74	1			9747-0631-02	Låsmutter	Lock nut			
75	1			9997-0620-16	Skruv	Screw			
76	1			9747-0631-02	Låsmutter	Lock nut			
77	1			1136-0330-01	Bygel	Clamp			
78	2			9848-8013-16	Skruv	Screw			
80	1			1136-0407-01	Plåt	Plate			
81	2			1136-1214-01	Skruv	Screw			
82	2			1136-0610-01	Bricka	Washer			



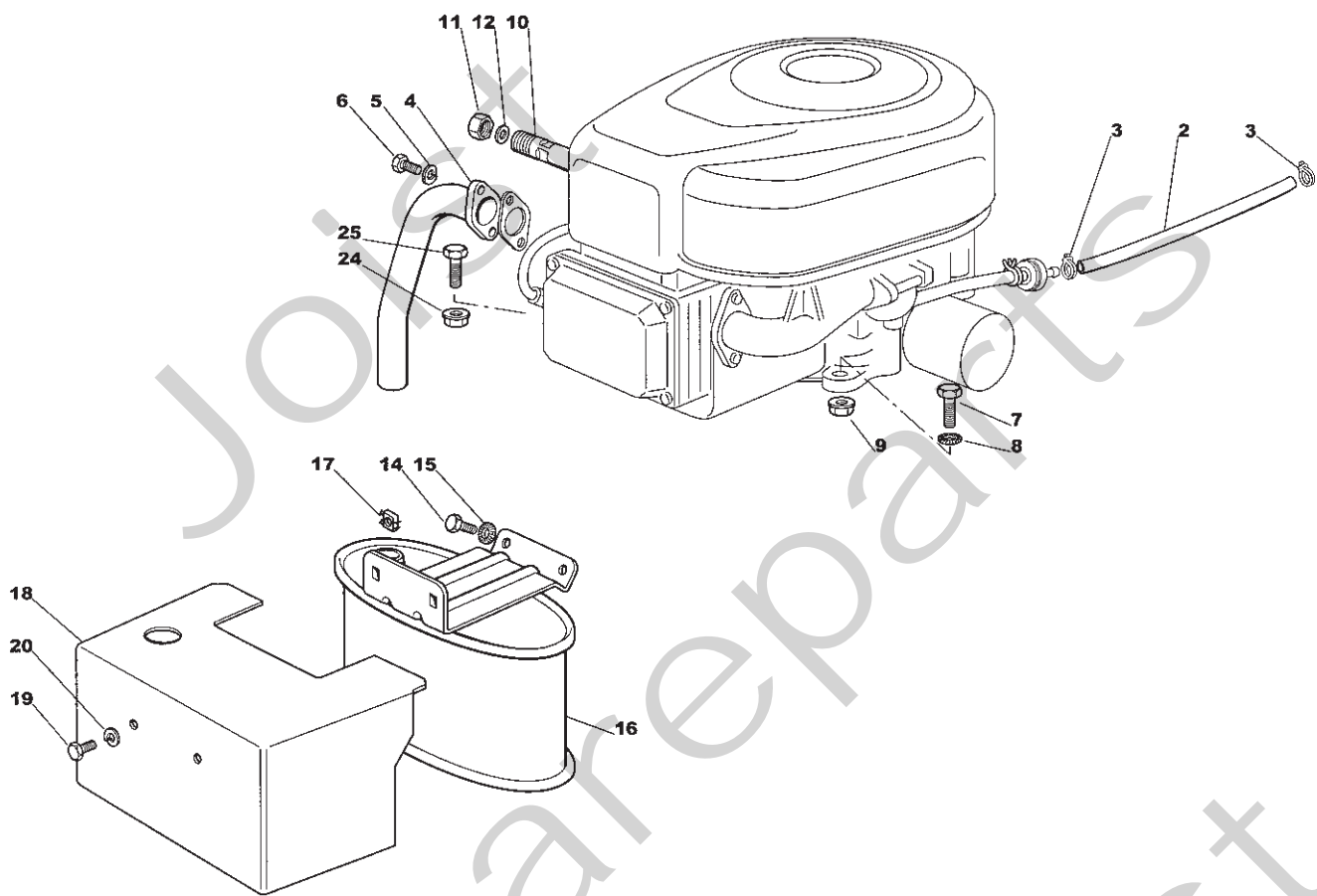
Utgåva Issue		Bildnr Picture No		ESTATE TORNADO ESTATE TORNADO HST ELUTRUSTNING		ESTATE TORNADO ESTATE TORNADO HST EL. EQUIPMENT		Sida Page	
2005-13		1447C						140	
Pos. Fig.	Antal/Quantity			Art nr Part No	Benämning	Description	Sats Kit	Anmärkning Notes	
	2521	2522							
1	1	1		1136-1035-01	Kabelhärva.....	Harness.....			
2	1	1		1136-0919-01	Elektronikkort.....	Electronic card.....			
3	2	2		9847-7813-16	Skruv.....	Screw.....			
4	1	1		1136-0428-01	• Säkring.....	• Fuse.....		6.3 A	
5	1			786194	Brytare.....	Neutral start switch.....		Neutral	
6	3	3		1136-0073-01	Mikrobrytare.....	Micro switch.....			
10	1	1		1136-1806-01	Kabelhärva.....	Harness.....		Inkl. pos 11	
11	1	1		1136-0056-01	• Tändningslås.....	• Ignition switch.....		Inkl. pos 12 - 13	
12	1	1		1136-0049-01	• Mutter.....	• Nut.....			
13	1	1		1134-4097-01	• Täckkåpa.....	• Cap.....			
14	1	1		1134-2848-01	Tändningsnyckel.....	Ignition key.....			
15	1	1		1136-0065-01	Startrelä.....	Solenoid.....			
16	2	2		9997-0620-16	Skruv.....	Screw.....			
17	2	2		9794-5131-02	Mutter.....	Nut.....			
18	1	1		1136-0055-01	Brytare.....	Switch.....		Strålkastare/light	
19	1	1		1136-0468-01	Kabel.....	Cable.....		Inkl. pos 20	
20	2	2		1136-0429-01	• Lamphållare.....	• Lamp holder.....			
21	2	2		1136-0058-01	Glödlampa.....	Bulb.....			
22	1	1		1136-0135-01	Kabel.....	Cable.....			
24	1	1		1136-0136-01	Kabelhärva.....	Harness.....			
25	1	1		1134-4804-01	Batteri.....	Battery.....			
26	1	1		1136-0215-01	Fjäder.....	Spring.....			
27	1	1		1136-0059-01	Polskydd.....	Protection.....			
28	1	1		9795-3531-02	Mutter.....	Nut.....			
29	4	4		1136-0427-01	Kabelhållare.....	Cable holder.....			
30	1	1		1136-0426-01	Kabelhållare.....	Cable holder.....			
31		1		1136-0076-01	Mikrobrytare.....	Micro switch.....			
32		1		1136-0865-01	Kabel.....	Cable.....			
33	2	2		9739-0631-22	Mutter.....	Nut.....			
34	1	1		1136-0060-01	Polskydd.....	Protection.....			
99	1	1		1136-1108-01	Tillbehörspåse.....	Key outfit.....		Inkl. pos 4, 14	

X

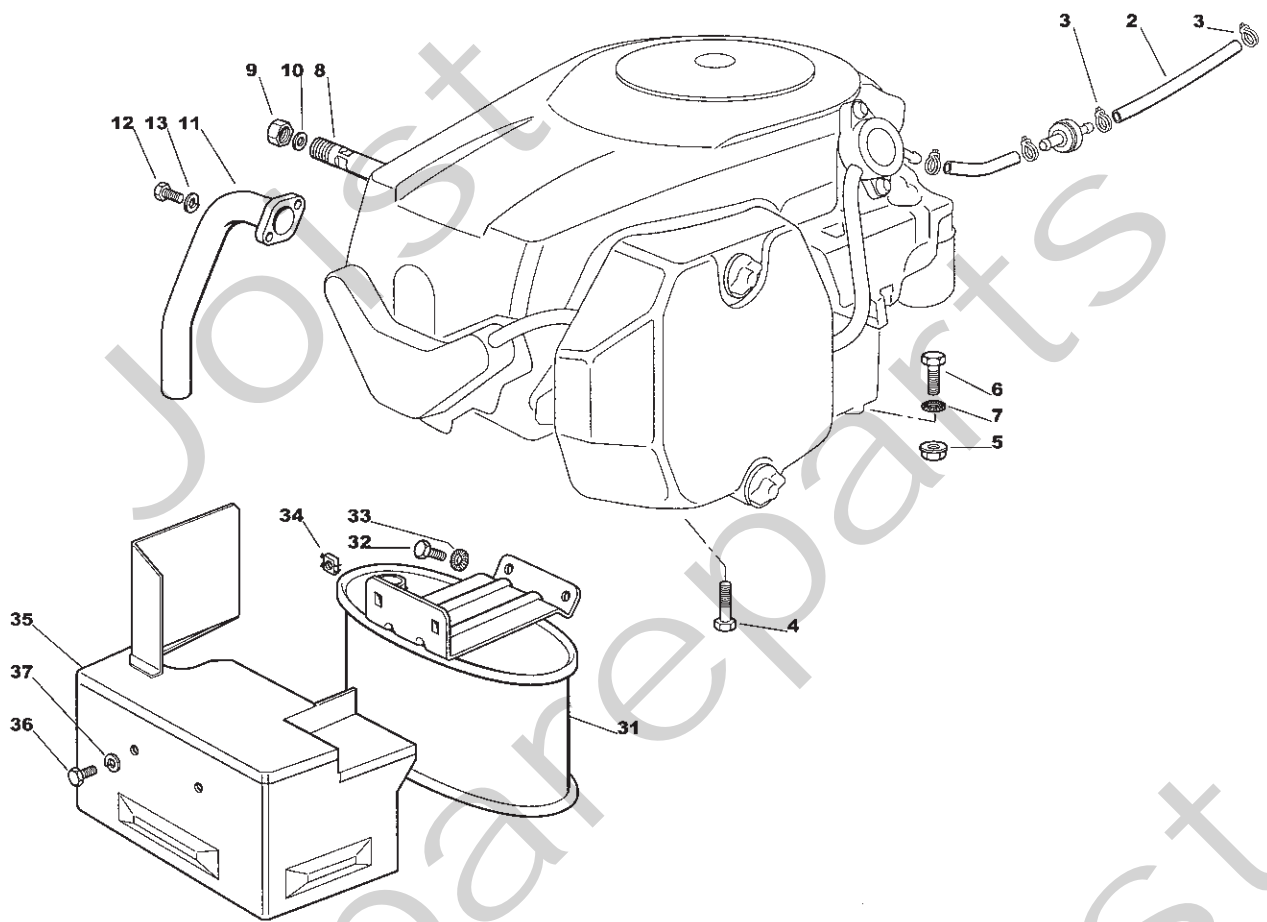
Spares Parts Joist



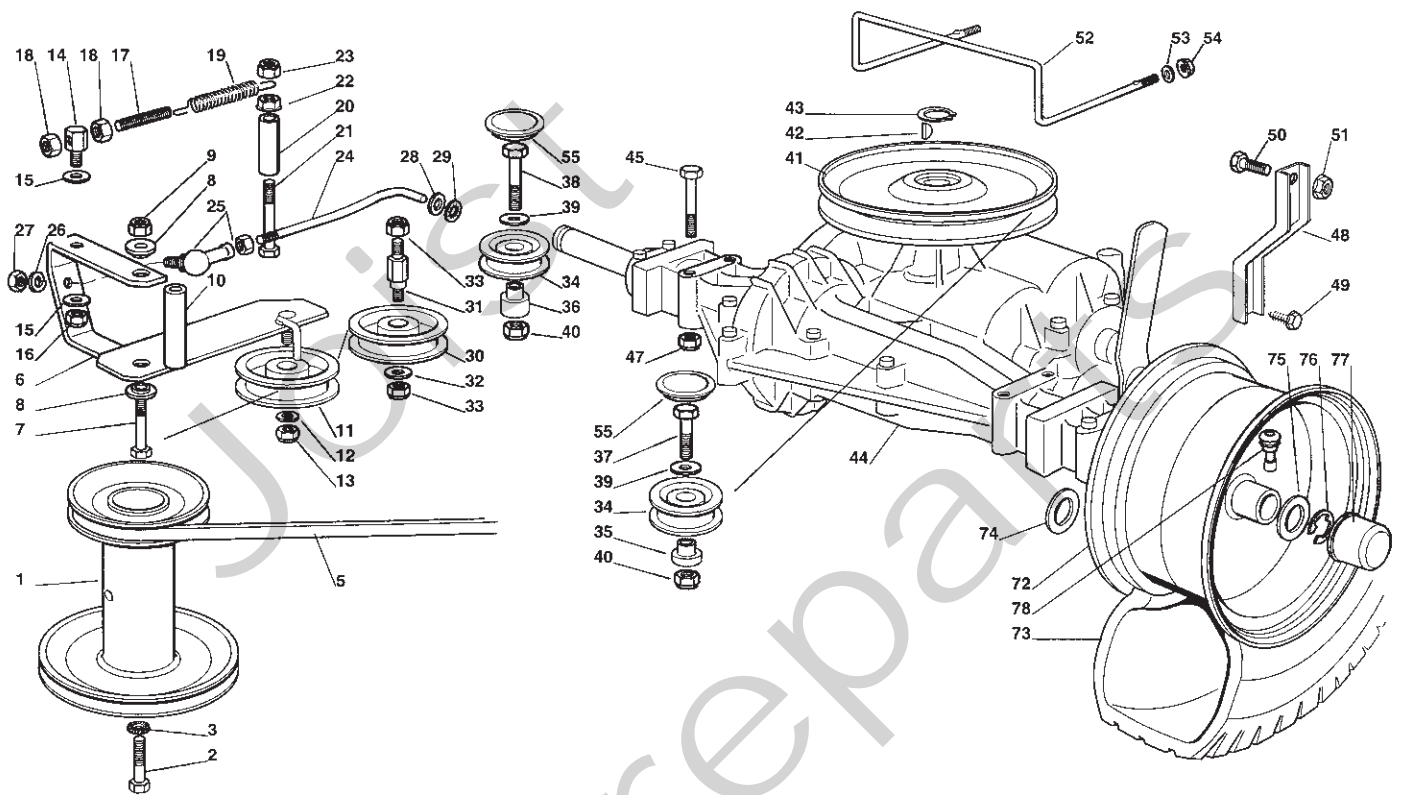
Utgåva Issue		Bildnr Picture No		ESTATE TORNADO MOTOR (B&S 21A907)		ESTATE TORNADO ENGINE (B&S 21A907)		Sida Page	
2005-13		1701A						142	
Pos. Fig.	Antal/Quantity			Art nr Part No	Benämning	Description	Sats Kit	Anmärkning Notes	
	2521 -15								
X 2	1			1136-1790-01	Bränsleslang	Fuel hose			
3	4			1136-0045-01	Slangklämma	Hose clamp			
4	1			1136-1467-01	Avgasrör	Exhaust tube			
5	2			9683-0030-02	Låsbricka	Lock washer			
6	2			9988-3619-16	Skruv	Screw			
7	1			9997-0840-16	Skruv	Screw		L = 40 mm	
8	1			9677-0009-02	Låsbricka	Lock washer			
9	1			9739-0831-22	Mutter	Nut			
10	1			1136-0273-01	Oljeavtappningsrör	Oil drain tube			
11	1			1136-0066-01	Oljeavtappningsplugg	Oil drain plug			
12	1			1136-0054-01	Tätningring	Oil seal			
13	1			1136-0353-01	Bränsleslang	Fuel hose			
14	2			9997-0820-16	Skruv	Screw			
15	2			9677-0009-02	Låsbricka	Lock washer			
16	1			1136-1054-01	Ljuddämpare	Muffler			
17	2			1136-0004-01	Fyrkantmutter	Square nut			
18	1			1136-1048-01	Skydd	Guard			
19	2			9997-0816-16	Skruv	Screw			
20	2			9683-0030-02	Låsbricka	Lock washer			
24	3			9739-0831-22	Mutter	Nut			
25	3			9997-0835-12	Skruv	Screw		L = 35 mm	



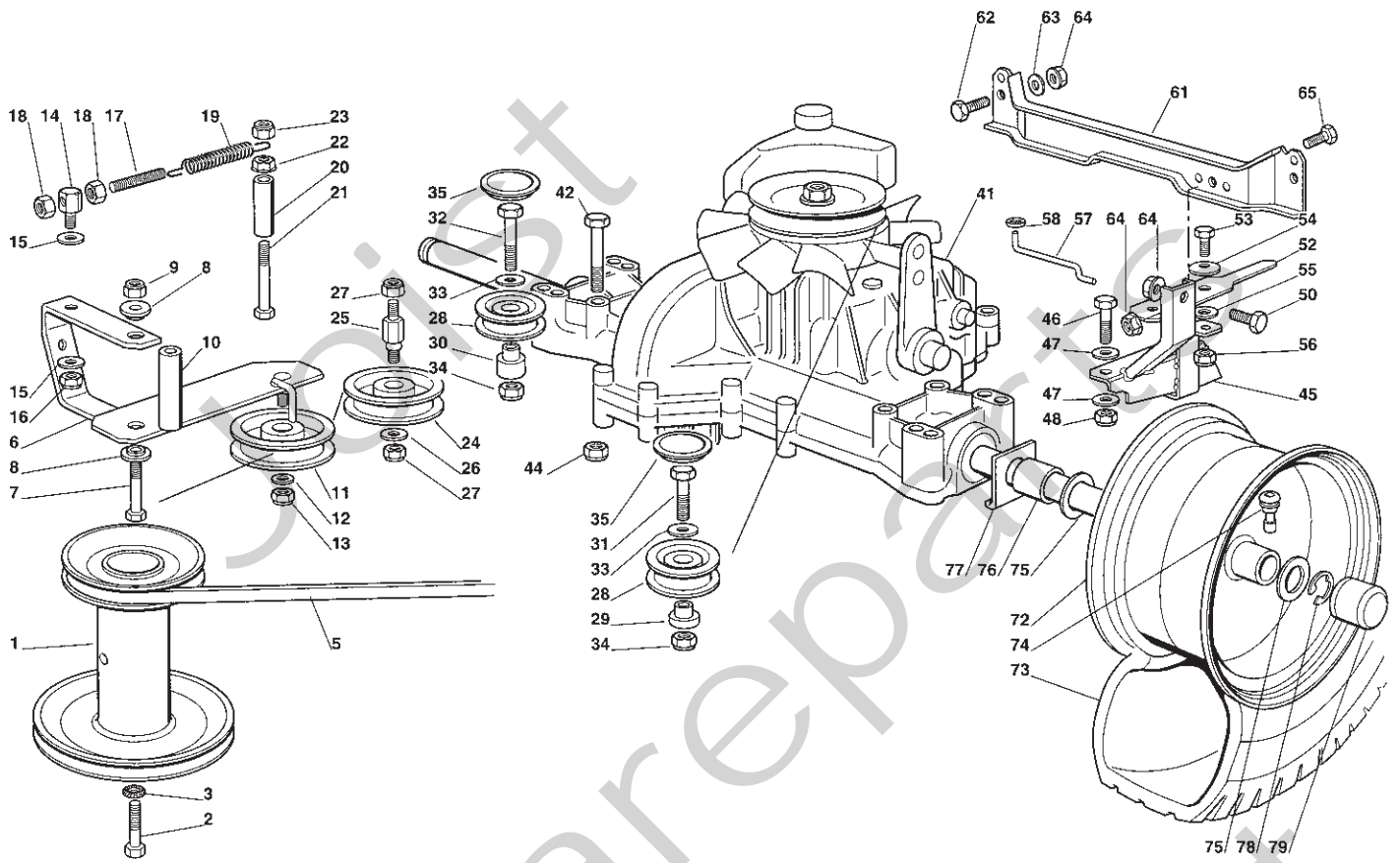
Utgåva Issue		Bildnr Picture No		ESTATE TORNADO HST MOTOR (B&S 282H07)		ESTATE TORNADO HST ENGINE (B&S 282H07)		Sida Page	
2005-13		1862						144	
Pos. Fig.	Antal/Quantity			Art nr Part No	Benämning	Description	Sats Kit	Anmärkning Notes	
	2522 -15								
2	1			1136-0354-01	Bränsleslang	Fuel hose			
3	2			1136-0045-01	Slangklämma	Hose clamp			
4	1			1136-0067-01	Avgasrör	Exhaust tube			
5	2			9683-0030-02	Låsbricka	Lock washer			
6	2			9988-3619-16	Skruv	Screw			
7	1			9997-0840-16	Skruv	Screw			
8	1			9677-0009-02	Låsbricka	Lock washer		L = 40 mm	
9	1			9739-0831-22	Mutter	Nut			
10	1			1136-0273-01	Oljeavtappningsrör	Oil drain tube			
11	1			1136-0066-01	Oljeavtappningsplugg	Oil drain plug			
12	1			1136-0054-01	Tätningring	Oil seal			
14	2			9997-0820-16	Skruv	Screw			
15	2			9677-0009-02	Låsbricka	Lock washer			
16	1			1136-1054-01	Ljuddämpare	Muffler			
17	2			1136-0004-01	Fyrkantmutter	Square nut			
18	1			1136-1048-01	Skydd	Guard			
19	2			9997-0816-16	Skruv	Screw			
20	2			9683-0030-02	Låsbricka	Lock washer			
24	3			9739-0831-22	Mutter	Nut			
25	3			9997-0835-12	Skruv	Screw		L = 35 mm	



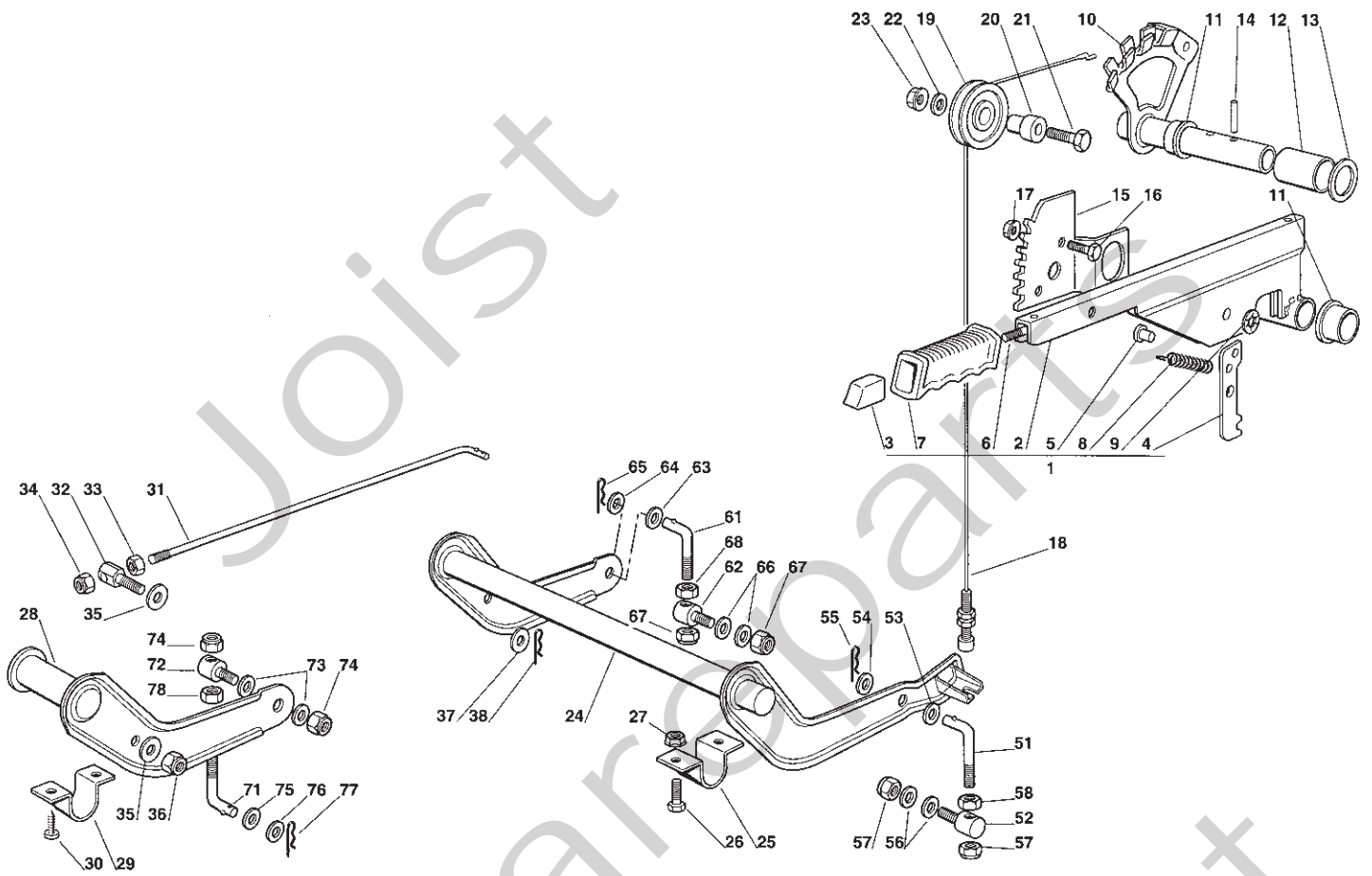
Utgåva Issue		Bildnr Picture No		ESTATE TORNADO ESTATE TORNADO HST MOTOR (Kohler)		ESTATE TORNADO ESTATE TORNADO HST ENGINE (Kohler)		Sida Page	
2005- 13		1863						146	
Pos. Fig.	Antal/Quantity			Art nr Part No	Benämning	Description	Sats Kit	Anmärkning Notes	
	2521	2522							
X	2	1		1136-0354-01	Bränsleslang	Fuel hose.....			
	3	2		1136-0045-01	Slangklämma	Hose clamp			
	4	3		1136-1774-01	Skruv	Screw			
	5	1		9739-0831-22	Mutter	Nut			
	6	1		9997-0840-16	Skruv	Screw			
	7	1		9677-0009-02	Låsbricka	Lock washer			
	8	1		1136-0413-01	Oljeavtappningsrör	Oil drain pipe			
	9	1		1136-0066-01	Oljeavtappningsplugg	Oil drain plug			
	10	1		1136-0054-01	Tätningring	Oil seal			
X	11	1		1136-1780-01	Avgasrör	Exhaust tube			
	12	2		9988-3619-16	Skruv	Screw			
	13	2		9683-0030-02	Låsbricka	Lock washer			
	31	1		1136-1054-01	Ljuddämpare	Muffler			
	32	2		9997-0820-16	Skruv	Screw			
	33	2		9677-0009-02	Låsbricka	Lock washer			
	34	2		1136-0004-01	Fyrkantmutter	Square nut			
X	35	1		1136-1812-01	Skydd	Guard			
	36	2		9997-0816-16	Skruv	Screw			
	37	2		9683-0030-02	Låsbricka	Lock washer			



Utgåva Issue		Bildnr Picture No		ESTATE TORNADO TRANSMISSION		ESTATE TORNADO TRANSMISSION		Sida Page	
2005- 13		1217						148	
Pos. Fig.	Antal/Quantity			Art nr Part No	Benämning	Description	Sats Kit	Anmärkning Notes	
	2521								
1	1			1136-0286-01	Motorremskiva	Engine belt pulley			
2	1			9987-5351-12	Skruv	Screw			
3	1			9683-0045-02	Bricka	Washer			
5	1			1136-0433-01	Kilrem	V- belt			
6	1			1136-0489-01	Spännarm	Tension arm			
7	1			9997-0630-12	Skruv	Screw			
8	2			1136-0123-01	Bussning	Bushing			
9	1			9747-0831-02	Mutter	Lock nut			
10	1			1136-0166-01	Distans	Spacer			
11	1			1136-0289-01	Spännrulle	Idler pulley			
12	1			9699-0056-02	Planbricka	Flat washer			
13	1			9747-0831-02	Mutter	Lock nut			
14	1			1136-0235-01	Ledbult	Pivot bolt			
15	2			1136-0309-01	Bricka	Washer			
16	1			9747-0831-02	Mutter	Lock nut			
17	1			1136-0348-01	Spännstång	Tie rod			
18	2			9799-0831-02	Mutter	Nut			
19	1			1136-0208-01	Fjäder	Spring			
20	1			1136-0162-01	Distans	Spacer			
21	1			9997-0880-16	Skruv	Screw			
22	1			9739-0831-22	Mutter	Nut			
23	1			9747-0831-02	Mutter	Lock nut			
24	1			1136-0346-01	Spännstång	Tie rod			
25	1			1136-0093-01	Kulled	Ball joint			
26	1			9683-0030-02	Låsbricka	Lock washer			
27	1			9799-0831-02	Mutter	Nut			
28	1			9699-0090-02	Planbricka	Flat washer			
29	1			9675-0012-02	Starlock	Locking washer			
30	1			1136-0290-01	Remrulle	Belt roller			
31	1			1136-0234-01	Pinnbult	Stud bolt			
32	1			9699-0056-02	Planbricka	Flat washer			
33	2			9747-0831-02	Mutter	Lock nut			
34	2			1136-0915-01	Remrulle	Belt roller			
35	1			1136-0167-01	Distans- vä	Spacer- LH			
36	1			1136-0164-01	Distans- hö	Spacer- RH			
37	1			9997-0835-12	Skruv	Screw			
38	1			9997-0845-12	Skruv	Screw			
39	2			9699-0056-02	Planbricka	Flat washer			
40	2			9747-0831-02	Mutter	Lock nut			
41	1			1136-0520-01	Remskiva	Belt pulley			
42	1			9600-0050-00	Woodruffkil	Key			
43	1			9650-0016-04	Spärring	Lock ring			
44	1			1136-0050-01	Transaxel	Transaxle		Peerless MST 205-535	
45	4			9997-0860-16	Skruv	Screw			
47	4			9739-0831-22	Mutter	Nut			
48	2			1136-0325-01	Momentstag	Stay			
49	2			1136-0017-01	Skruv	Screw			
50	2			9997-0816-16	Skruv	Screw			
51	2			9739-0831-22	Mutter	Nut			
52	1			1136-0181-01	Remstyrning	Belt guide			
53	4			9699-0035-02	Planbricka	Flat washer			
54	2			9747-0831-02	Mutter	Lock nut			
55	2			1136-0868-01	Lock	Cover			
72	2			1136-0455-01	Fälg	Rim			
73	2			1136-0270-01	Däck (Turf Saver)	Tire (Turf Saver)			
73	2			1136-0272-01	Däck (Deli)	Tire (Deli)			
74	2-4			9699-0119-02	Bricka	Washer			
75	2			1136-0305-01	Bricka	Washer			
76	2			9652-0015-04	Låsring	Retaining ring			
77	2			1136-0081-01	Navkapsel	Hub cap			
78	2			9545-0500-00	Ventil	Valve			



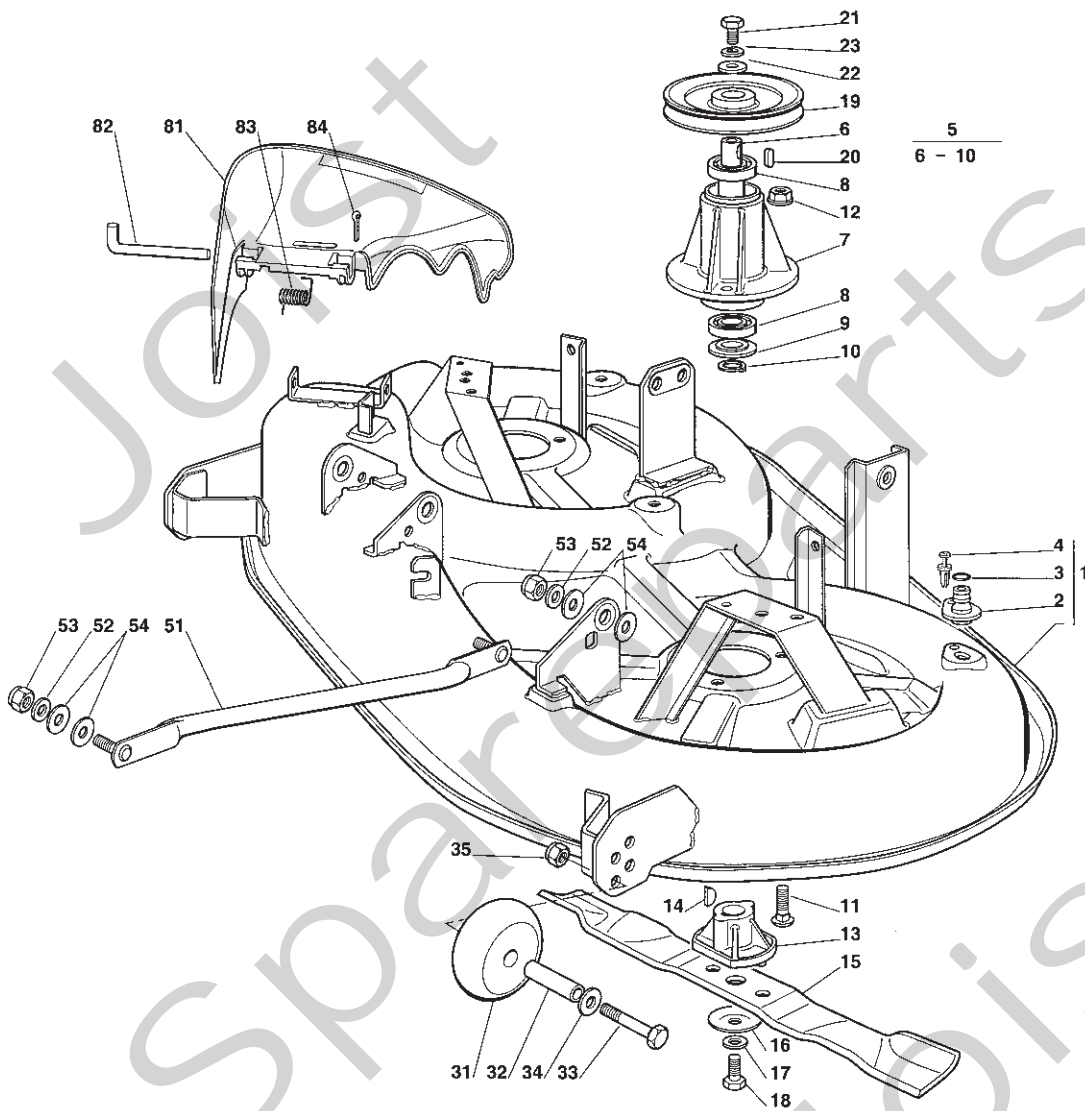
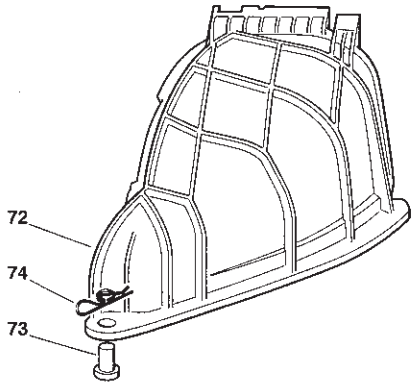
Utgåva Issue		Bildnr Picture No		ESTATE TORNADO HST TRANSMISSION		ESTATE TORNADO HST TRANSMISSION		Sida Page	
2005-13		1564						150	
Pos. Fig.	Antal/Quantity			Art nr Part No	Benämning	Description	Sats Kit	Anmärkning Notes	
	2522								
1	1			1136-0287-01	Motorremskiva	Engine belt pulley			
2	1			9987-5351-12	Skruv	Screw			
3	1			9683-0045-02	Bricka	Washer			
5	1			1136-0432-01	Kilrem	V-belt			
6	1			1136-0489-01	Spännarm	Tension arm			
7	1			9997-0630-12	Skruv	Screw			
8	2			1136-0123-01	Bussning	Bushing			
9	1			9747-0831-02	Mutter	Lock nut			
10	1			1136-0166-01	Distans	Spacer			
11	1			1136-0289-01	Spännrulle	Idler pulley			
12	1			9699-0056-02	Planbricka	Flat washer			
13	1			9747-0831-02	Mutter	Lock nut			
14	1			1136-0235-01	Ledbult	Pivot bolt			
15	2			1136-0309-01	Bricka	Washer			
16	1			9747-0831-02	Mutter	Lock nut			
17	1			1136-0348-01	Spännstång	Tie rod			
18	2			9799-0831-02	Mutter	Nut			
19	1			1136-0208-01	Fjäder	Spring			
20	1			1136-0162-01	Distans	Spacer			
21	1			9997-0880-16	Skruv	Screw			
22	1			9739-0831-22	Mutter	Nut			
23	1			9747-0831-02	Mutter	Lock nut			
24	1			1136-0290-01	Remrulle	Belt roller			
25	1			1136-0234-01	Pinnbult	Stud bolt			
26	1			9699-0056-02	Planbricka	Flat washer			
27	2			9747-0831-02	Mutter	Lock nut			
28	2			1136-0915-01	Remrulle	Belt roller			
29	1			1136-0174-01	Distans- vä	Spacer-LH			
30	1			1136-0170-01	Distans- hö	Spacer-RH			
31	1			9997-0840-16	Skruv	Screw			
32	1			9997-0850-16	Skruv	Screw			
33	2			9699-0056-02	Planbricka	Flat washer			
34	2			9747-0831-02	Mutter	Lock nut			
35	2			1136-0868-01	Lock	Cover			
41	1			1136-0053-01	Transaxel	Transaxle		Kanzaki K46S	
42	4			9997-0860-16	Skruv	Screw			
44	4			9739-0831-22	Mutter	Nut			
45	1			1136-1056-01	Stöd	Support			
46	1			9997-0845-12	Skruv	Screw			
47	2			9699-0090-02	Planbricka	Flat washer			
48	1			9747-0831-02	Mutter	Lock nut			
50	1			9997-0816-16	Skruv	Screw			
52	1			1136-0190-01	Arm	Lever			
53	1			9997-0820-16	Skruv	Screw			
54	1			1136-0006-01	Fjäderbricka	Elastic washer			
55	1			1136-0309-01	Bricka	Washer			
56	1			9747-0831-02	Mutter	Lock nut			
57	1			1136-0114-01	Stag	Rod			
58	1			9675-0009-02	Starlock	Starlock			
61	1			1136-0918-01	Förstärkning	Reinforcement			
62	2			1136-0821-01	Skruv	Screw			
63	2			9699-0090-02	Planbricka	Flat washer			
64	4			9739-0831-22	Mutter	Nut			
65	1			1136-0822-01	Skruv	Screw			
72	2			1136-0455-01	Fälg	Rim			
73	2			1136-0270-01	Däck (Turf Saver)	Tire (Turf Saver)			
73	2			1136-0272-01	Däck (Deli)	Tire (Deli)			
74	2			9545-0500-00	Ventil	Valve			
75	4			9699-0119-02	Bricka	Washer			
76	2			1136-0175-01	Distans	Spacer			
77	2			1136-0312-01	Bricka	Washer			
78	2			9652-0015-04	Låsring	Retaining ring			
79	2			1136-0081-01	Navkapsel	Hub cap			



Utgåva Issue 2005-13		Bildnr Picture No 1702		ESTATE TORNADO ESTATE TORNADO HST AGGREGATSLYFT		ESTATE TORNADO ESTATE TORNADO HST MOWER DECK LIFT		Sida Page 152	
Pos. Fig.	Antal/Quantity			Art nr Part No	Benämning	Description	Sats Kit	Anmärkning Notes	
	2521	2522							
1	1			1136-0487-01	Lyftspak kpl	Lift lever assy		Inkl. pos 2 - 9	
2	1			1136-0493-01	• Lyftspak	• Lift lever			
3	1			1136-0298-01	• Tryckknapp	• Button			
4	1			1136-0222-01	• Spärrhake	• Dog			
5	1			1136-0227-01	• Sprint	• Pin			
6	1			1136-0105-01	• Tryckstång	• Push rod			
7	1			1136-0193-01	• Handtag	• Handle			
8	1			1136-0203-01	• Fjäder	• Spring			
9	1			9675-0012-02	• Starlock	• Locking washer			
10	1			1136-0444-01	Lyftaxel	Axle			
11	2			1136-0078-01	Bussning	Bushing			
12	1			1136-0163-01	Distans	Spacer			
13	1			9699-0119-02	Bricka	Washer			
14	2			9595-0235-00	Spännstift	Locating pin			
15	1			1136-0319-01	Höjdställn.segment	Height adjust sector			
16	2			9997-0816-16	Skruv	Screw			
17	2			9739-0831-22	Mutter	Nut			
18	1			1136-0460-01	Lyftwire	Lift wire			
19	1			1136-0291-01	Wierulle	Cable pulley			
20	1			1136-0232-01	Distans	Spacer			
21	1			9997-0850-16	Skruv	Screw			
22	1			9699-0056-02	Planbricka	Flat washer			
23	1			9739-0831-22	Mutter	Nut			
24	1			1136-0443-01	Lyftaxel	Lift axle			
25	2			1136-0253-01	Bygel	Clamp			
26	4			9997-0616-16	Skruv	Screw			
27	4			9739-0631-22	Mutter	Nut			
28	1			1136-0492-01	Lyftarm	Lift arm			
29	2			1136-0255-01	Bygel	Clamp			
30	4			9847-8016-16	Skruv	Screw			
31	1			1136-0108-01	Lyftstag	Lift rod			
32	1			1136-0235-01	Ledbult	Pivot bolt			
33	1			9799-0831-02	Mutter	Nut			
34	1			9747-0831-02	Mutter	Lock nut			
35	2			1136-0309-01	Bricka	Washer			
36	1			9747-0831-02	Mutter	Lock nut			
37	1			9699-0090-02	Planbricka	Flat washer			
38	1			1136-0095-01	Låsnål	Hair pin			
51	1			1136-0347-01	Lyftlänk	Lift tie rod			
52	1			1136-0231-01	Ledbult	Pivot bolt			
53	1			9699-0035-02	Planbricka	Flat washer			
54	1			1136-0308-01	Bricka	Washer			
55	1			1136-0095-01	Låsnål	Hair pin			
56	2			1136-0308-01	Bricka	Washer			
57	2			9747-1031-02	Låsmutter	Lock nut			
58	1			9799-1031-02	Mutter	Nut			
61	1			1136-0347-01	Lyftlänk	Lift tie rod			
62	1			1136-0231-01	Ledbult	Pivot bolt			
63	1			9699-0035-02	Planbricka	Flat washer			
64	1			1136-0308-01	Bricka	Washer			
65	1			1136-0095-01	Låsnål	Hair pin			
66	2			1136-0308-01	Bricka	Washer			
67	2			9747-1031-02	Låsmutter	Lock nut			
68	1			9799-1031-02	Mutter	Nut			
71	1			1136-0928-01	Spännlänk	Tie rod			
72	1			1136-0231-01	Ledbult	Pivot bolt			
73	2			1136-0308-01	Bricka	Washer			
74	2			9747-1031-02	Låsmutter	Lock nut			
75	1			9699-0035-02	Planbricka	Flat washer			
76	1			1136-0308-01	Bricka	Washer			
77	1			1136-0095-01	Låsnål	Hair pin			
78	1			9799-1031-02	Mutter	Nut			

Utgåva Issue		Bildnr Picture No		ESTATE TORNADO ESTATE TORNADO HST AGGREGATSINKOPPLING		ESTATE TORNADO ESTATE TORNADO HST MOWER DECK ENGAGEMENT		Sida Page	
2005-13		1448B						154	
Pos. Fig.	Antal/Quantity			Art nr Part No	Benämning	Description	Sats Kit	Anmärkning Notes	
	2521	2522							
1	1			1136-0494-01	Spännarm	Tension arm			
2	1			1136-0917-01	Remskiva	Pulley			
3	1			1136-0070-01	Kullager	Ball bearing			
4	1			9651-0035-04	Låsring	Lock ring			
5	1			9650-0015-04	Låsring	Lock ring			
6	1			9997-0890-12	Skruv	Screw			
7	2			1136-0014-01	Bricka	Washer			
8	1			1136-0089-01	Bricka	Washer			
9	1			9747-0831-02	Mutter	Lock nut			
10	1			1136-0859-01	Fjäder	Spring			
11	1			1136-0348-01	Spännstäng	Tie rod			
12	2			9799-0831-02	Mutter	Nut			
13	1			1136-1797-01	Stag	Rod			
14	1			1136-0836-01	Gaffel	Fork			
15	1			9799-0831-02	Mutter	Nut			
16	1			1136-0835-01	Låsbult	Clip			
17	1			1136-0009-01	Låsplatta	Lock plate			
18	1			1136-0886-01	Arm- hö	Lever- RH			
19	1			1136-0885-01	Arm- vä	Lever- LH			
20	2			1136-0089-01	Bricka	Washer			
21	2			9997-0816-16	Skruv	Screw			
22	2			1136-0079-01	Bussning	Bushing			
23	2			9739-0831-22	Mutter	Nut			
24	1			1136-0904-01	Sprint	Pin			
25	2			1136-0309-01	Bricka	Washer			
26	1			9747-0831-02	Mutter	Lock nut			
27	1			1136-0862-01	Stång	Rod			
28	2			9699-0090-02	Planbricka	Flat washer			
29	1			1136-0895-01	Fjäder	Spring			
31	1			9739-0831-22	Mutter	Nut			
32	1			1136-0095-01	Låsnål	Hair pin			
33	1			1136-1022-01	Drivrem	Drive belt			
34	1			1136-0878-01	Remstyrning	Belt guide			
35	2			9847-8116-16	Skruv	Screw			
36	1			1136-0880-01	Remstyrning	Belt guide			
37	2			9739-0831-22	Mutter	Nut			
38	2			9747-0831-02	Mutter	Lock nut			
39	1			1136-0879-01	Remstyrning	Belt guide			
40	1			9739-0831-22	Mutter	Nut			
41	1			9747-0831-02	Mutter	Lock nut			
42	1			9699-0035-02	Planbricka	Flat washer			
43	1			9747-0631-02	Låsmutter	Lock nut			
44	2			1136-0864-01	Remkåpa	Belt cover			
45	4			9848-8013-16	Skruv	Screw			
71	1			1136-0537-01	Fäste	Support			
72	2			9997-0816-16	Skruv	Screw			
73	2			9739-0831-22	Mutter	Nut			
74	1			1136-0088-01	Bricka	Washer			
75	1			1136-0528-01	Spakhållare	Lever holder			
76	1			1136-0491-01	Inkopplingspak	Engagement lever			
77	1			1136-0213-01	Fjäder	Spring			
78	1			9997-0880-16	Skruv	Screw			
79	1			9747-0831-02	Mutter	Lock nut			
83	1			9699-0056-02	Planbricka	Flat washer			
84	1			9712-0831-02	Låsmutter	Lock nut			
85	1			1136-1075-01	Inkopplingswire	Cable			
86	1			9699-0056-02	Planbricka	Flat washer			
87	1			1136-0197-01	Handtag	Knob			
88	1			1136-0957-01	Fjäder	Spring			

X



Utgåva Issue 2005- 13		Bildnr Picture No 1449B		ESTATE TORNADO ESTATE TORNADO HST KLIPPAGGREGAT		ESTATE TORNADO ESTATE TORNADO HST MOWER DECK		Sida Page 156	
Pos. Fig.	Antal/Quantity			Art nr Part No	Benämning	Description	Sats Kit	Anmärkning Notes	
	2521	2522							
1	1			1136-1044-01	Klippaggregatskåpa	Mower deck casing		Inkl. pos 2 - 4	
2	2			1136-0120-01	• Vattenslangnippel	• Water hose connection.....			
3	2			1136-0068-01	• O-ring	• O-ring			
4	2			1136-0012-01	• Nit	• Rivet			
5	2			1136-0481-01	Lagerbox kpl.	Bearing box assy.		Inkl. pos 6 - 10	
6	2			1136-0099-01	• Knivaxel	• Blade shaft			
8	4			1136-0069-01	• Kullager	• Ball bearing			
9	2			1136-0176-01	• Dammskydd	• Dust cover			
10	2			9650-0020-04	• Spårring	• Circlip			
11	6			9898-0825-16	Skruv	Screw			
12	6			9739-0831-22	Mutter	Nut			
13	2			1136-0221-01	Knivfäste	Blade hub			
14	2			9600-0014-00	Kil	Key			
15	2			1136-1029-01	Kniv	Blade			
16	2			1136-0083-01	Fjäderbricka	Elastic washer			
17	2			1136-0015-01	Bricka	Washer			
18	2			9987-5238-12	Knivbult	Blade bolt			
19	2			1136-0916-01	Remskiva	Pulley			
20	2			1136-0001-01	Kil	Key			
21	2			9997-0820-16	Skruv	Screw			
22	2			1136-0307-01	Bricka	Washer			
23	2			9683-0030-02	Låsbricka	Lock washer			
31	2			1136-1052-01	Stödhjul	Anti scalp wheel			
32	2			1136-0901-01	Distans	Spacer			
33	2			9997-0880-16	Skruv	Screw			
34	2			9699-0056-02	Planbricka	Flat washer			
35	2			9739-0831-22	Mutter	Nut			
51	2			1136-0448-01	Stång	Equalizer rod			
52	4			9699-0035-02	Planbricka	Flat washer			
53	4			9747-1031-02	Låsmutter	Lock nut			
54	8			1136-0308-01	Bricka	Washer			
72	1			1136-1107-01	Deflektor	Deflector			
73	1			1136-0229-01	Sprint	Pin			
74	1			9598-0002-02	Låsnål	Pin lock			
81	1			1136-0910-01	Utkastskydd	Discharge protection			
82	1			1136-0902-01	Axel	Pivot			
83	1			1136-0894-01	Fjäder	Spring			
84	1			9599-0070-02	Saxsprint	Split pin			