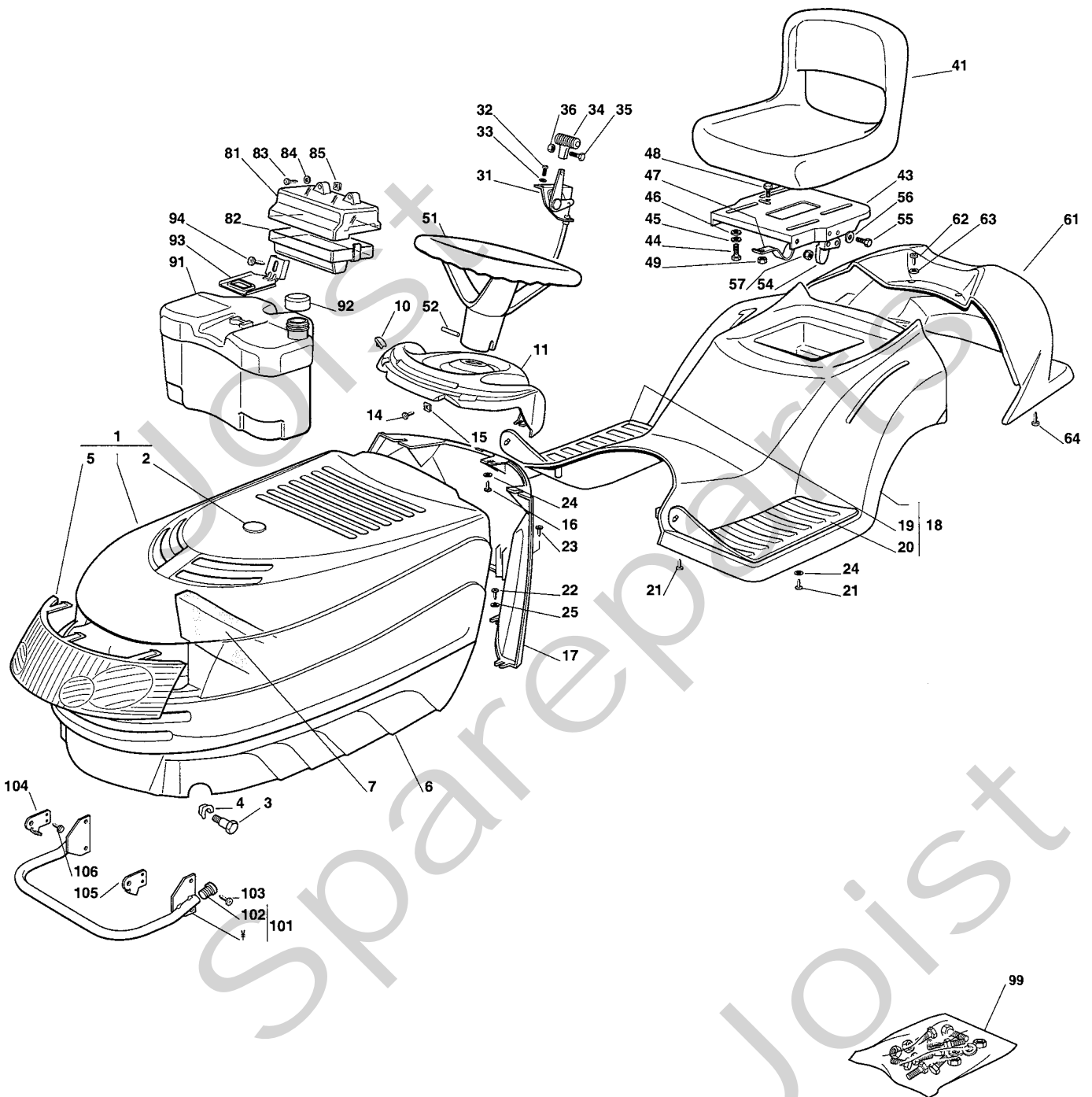


Genuine Spare Parts

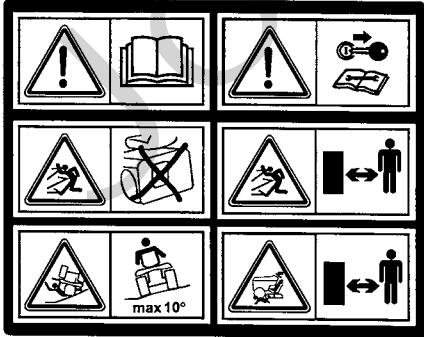
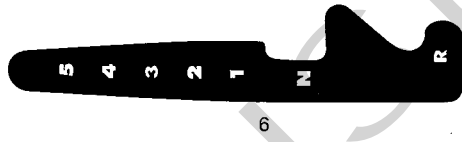


Joist
Spareparts
Joist

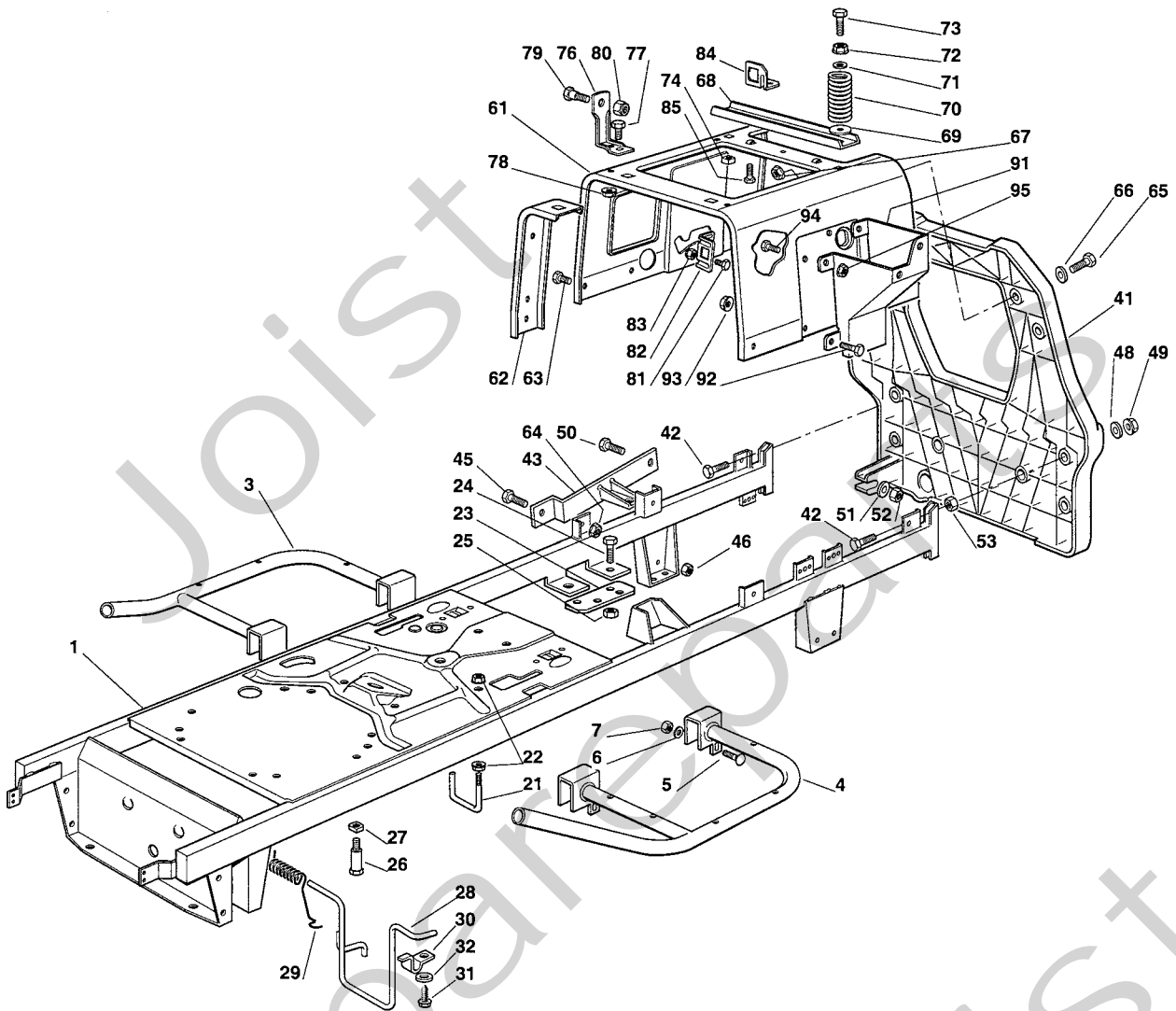


Utgåva Issue 2004- 13		Bildnr Picture No 1561A		ESTATE TORNADO ESTATE TORNADO HST KAROSS		ESTATE TORNADO ESTATE TORNADO HST BODY WORK		Sida Page 94	
Pos. Fig.	Antal/Quantity			Art nr Part No	Benämning	Description	Sats Kit	Anmärkning Notes	
	2521	2522							
1	1	1		1136-1038-01	Motorhuv.....	Engine hood.....		Inkl. pos 2, 5	
2	1	1		1136-0905-01	• Platta.....	• Plate.....			
3	2	2		1136-0230-01	Bult.....	Bolt.....			
4	2	2		1136-0009-01	Låsplatta.....	Lock plate.....			
5	1	1		1136-0888-01	• Grill.....	• Grill.....			
6	1	1		1136-0866-01	Motorhuv- nedre.....	Engine hood- lower.....			
7	1	1		1136-0923-01	Avskiljare.....	Intake separator.....			
10	2	2		1136-0179-01	Huvskydd.....	Grommet.....			
11	1	1		1136-0871-01	Instrumentbräda.....	Dashboard.....			
14	2	2		9848-8013-16	Skruv.....	Screw.....			
15	2	2		1136-0010-01	Låsplatta.....	Lock plate.....			
16	3	3		9836-9618-12	Skruv.....	Screw.....			
17	1	1		1136-0926-01	Stöd.....	Support.....			
18	1			1136-0475-01	Hjulåpa.....	Wheel cover.....	Inkl. pos 19, 20 Inkl. pos 19, 20		
18		1		1136-0476-01	Hjulåpa.....	Wheel cover.....			
19	1	1		1136-0148-01	• Fotstegsskydd- hö.....	• Footboard cover- RH.....			
20	1	1		1136-0147-01	• Fotstegsskydd- vä.....	• Footboard cover- LH.....			
21	6	6		9836-9635-12	Skruv.....	Screw.....			
22	4	4		9836-9618-12	Skruv.....	Screw.....			
23	1	1		9836-9525-12	Skruv.....	Screw.....			
24	5	5		9699-0060-02	Planbricka.....	Flat washer.....			
25	4	4		9699-0085-02	Planbricka.....	Flat washer.....			
31	1	1		1136-0440-01	Gasreglage.....	Throttle control.....			
32	2	2		9997-0412-16	Skruv.....	Screw.....			
33	2	2		9683-0010-02	Bricka.....	Washer.....			
34	1	1		1136-0192-01	Knopp.....	Handle.....			
35	1	1		9865-0412-16	Skruv.....	Screw.....			
36	1	1		9799-0431-02	Mutter.....	Nut.....			
41	1	1		1136-0315-01	Sits.....	Seat.....			
43	1	1		1136-0252-01	Sitsplatta.....	Seat plate.....			
44	4	4		9997-0820-16	• Skruv.....	• Screw.....			
45	4	4		9683-0030-02	• Låsbricka.....	• Lock washer.....			
46	4	4		9699-0056-02	• Planbricka.....	• Flat washer.....			
47	1	1		1136-0891-01	Fjäder.....	Spring.....			
48	1	1		9997-0512-16	Skruv.....	Screw.....			
49	1	1		9747-0531-02	Mutter.....	Nut.....			
51	1	1		1136-0360-01	Ratt.....	Steering wheel.....			
52	1	1		9595-0272-00	• Stift.....	• Pin.....			
54	1	1		1136-0942-01	Kam.....	Cam.....			
55	2	2		1136-0820-01	Skruv.....	Screw.....			
56	2	2		9699-0018-02	Bricka.....	Washer.....			
57	2	2		9747-0531-02	Mutter.....	Nut.....			
61	1	1		1136-0869-01	Kåpa.....	Cover.....			
62	2	2		9836-9635-12	Skruv.....	Screw.....			
63	2	2		9699-0035-02	Planbricka.....	Flat washer.....			
64	2	2		9836-9618-12	Skruv.....	Screw.....			
81	1	1		1136-0275-01	Skydd- övre.....	Guard- upper.....			
82	1	1		1136-0276-01	Skydd- nedre.....	Guard- lower.....			
83	2	2		9847-8038-16	Skruv.....	Screw.....			
84	2	2		9699-0024-02	Planbricka.....	Flat washer.....			
85	2	2		1136-0010-01	Låsplatta.....	Lock plate.....			
91	1	1		1136-0318-01	Bränsletank.....	Fuel tank.....			
92	1	1		1136-0344-01	Tanklock.....	Tank cap.....			
93	1	1		1136-0327-01	Tankfäste.....	Tank support.....			
94	1	1		9848-8013-16	Skruv.....	Screw.....			
99	1	1		1136-1108-01	Tillbehörspåse.....	Key outfit.....			
101	1	1		1136-0553-01	Ljuddämparskydd.....	Muffler protection.....			
102	2	2		1136-0061-01	• Plugg.....	• Cap.....			
103	4	4		9847-8216-16	Skruv.....	Screw.....			
104	1	1		1136-0259-01	Huvfäste- hö.....	Hood plate- RH.....			
105	1	1		1136-0260-01	Huvfäste- vä.....	Hood plate- LH.....			
106	4	4		9847-8009-16	Skruv.....	Screw.....			

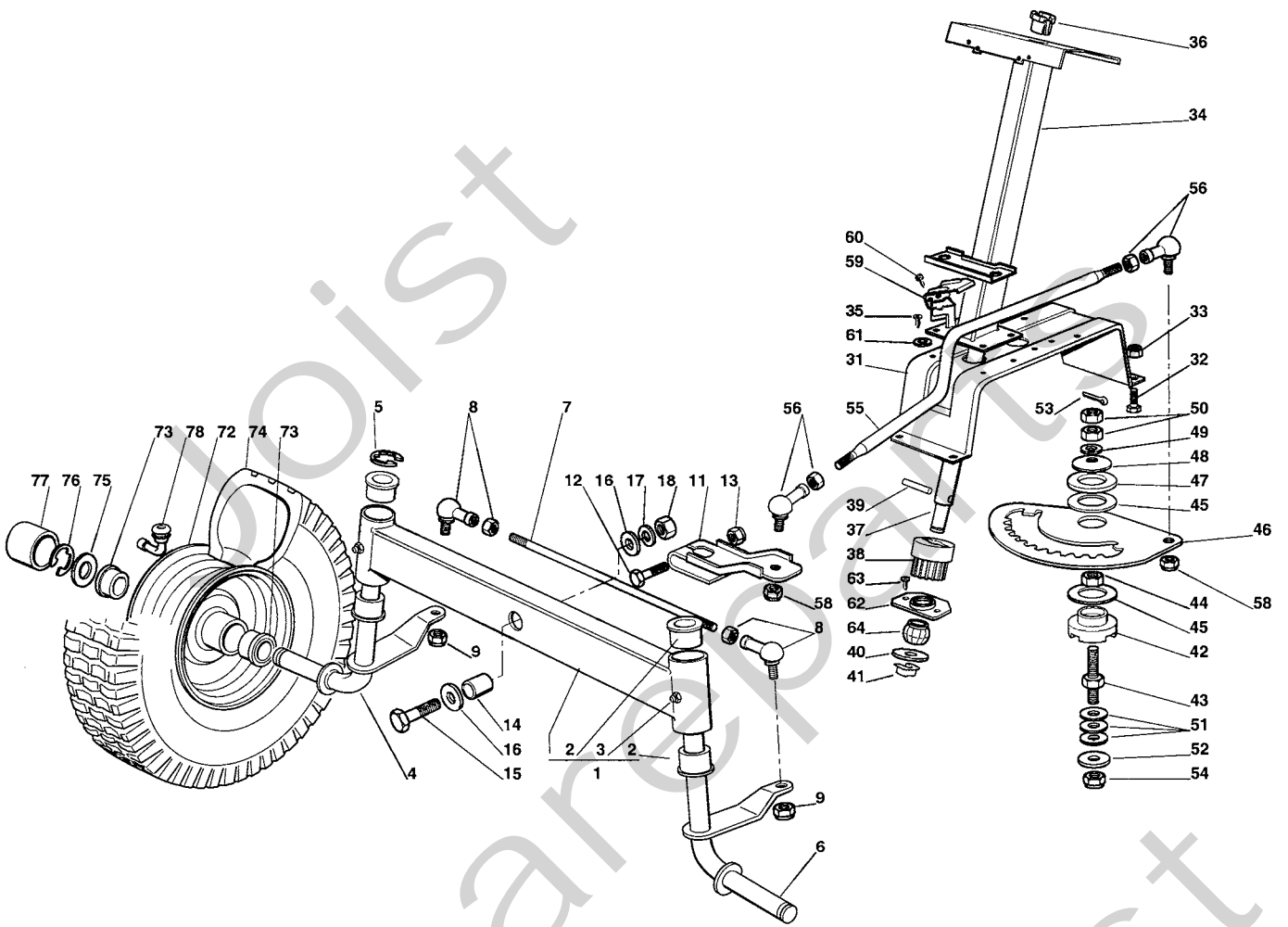
Inkl. pos 44 - 46, 52
Inkl. pos 102



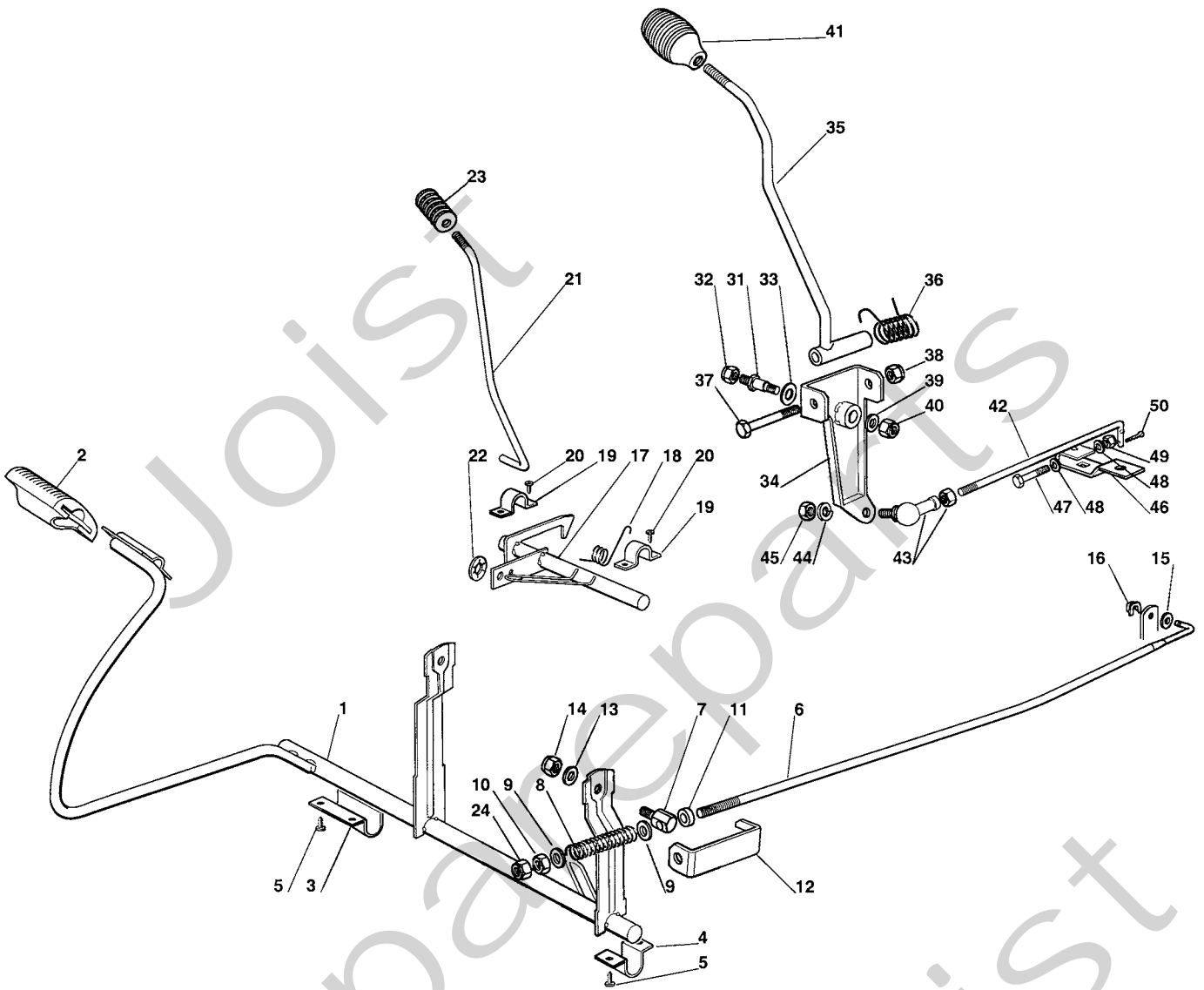
Utgåva Issue 2004-13		Bildnr Picture No 1562		ESTATE TORNADO ESTATE TORNADO HST DEKALER		ESTATE TORNADO ESTATE TORNADO HST LABELS		Sida Page 96	
Pos. Fig.	Antal/Quantity			Art nr Part No	Benämning	Description	Sats Kit	Anmärkning Notes	
	2521	2522							
1	1	1		1136-0832-01	Dekal	Label			
2	1	1		1136-0026-01	Dekal	Label			
3	1	1		1136-0020-01	Dekal	Label			
5	1	1		1136-0031-01	Dekal	Label			
6	1			1136-0027-01	Dekal	Label			
7	1	1		1136-0028-01	Dekal	Label			
8	1	1		1136-0029-01	Dekal	Label			
9	1	1		1136-0021-01	Dekal	Label			
11	1	1		1136-1217-01	Dekal	Label			
X 99	2	2		1136-1447-01	Dekal "Tornado".....	Label "Tornado"		Ej ill/not ill.	
X 99	1	1		1136-1451-01	Dekal "STIGA"	Label "STIGA"		Ø 55 mm	
X 99	3	3		1136-1453-01	Dekal "STIGA"	Label "STIGA"		140 x 33 mm	



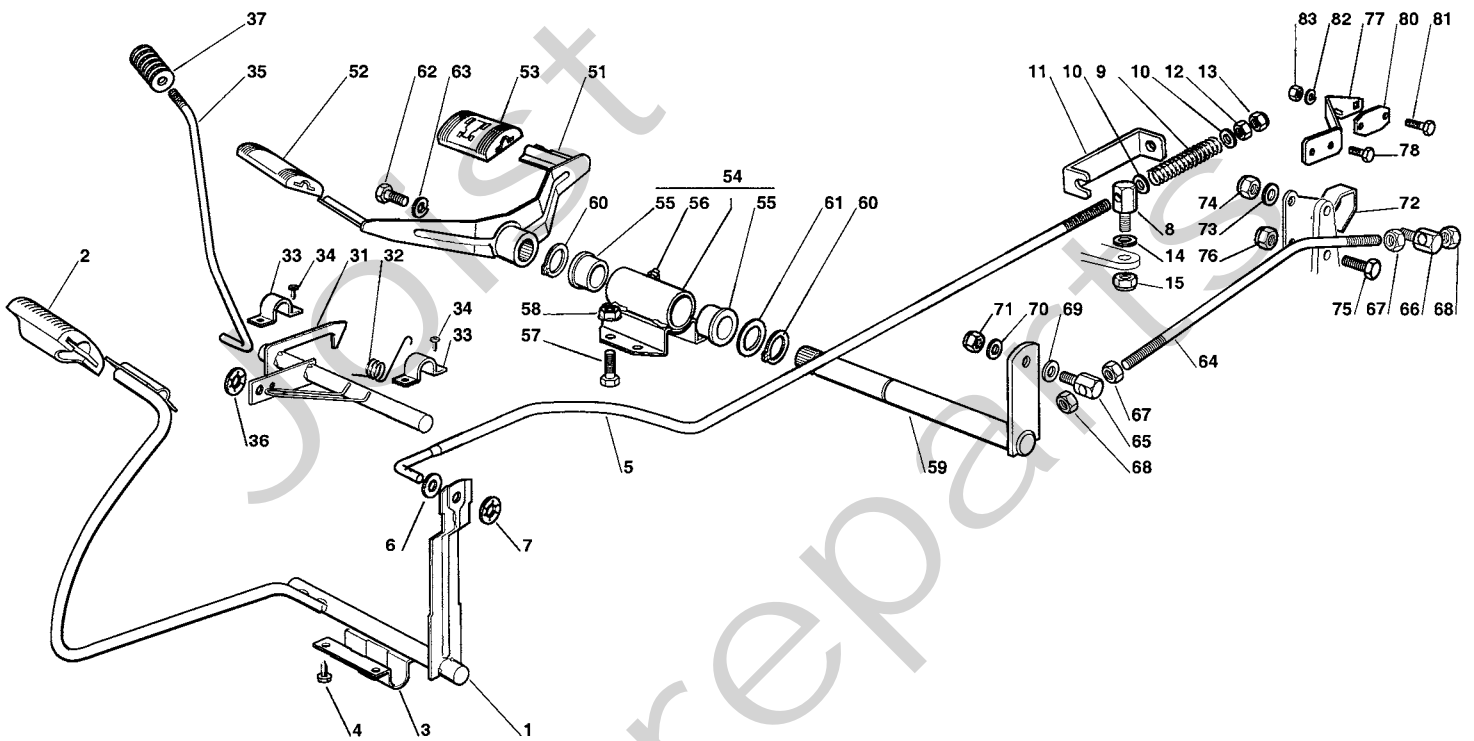
Utgåva Issue		Bildnr Picture No		ESTATE TORNADO ESTATE TORNADO HST CHASSI		ESTATE TORNADO ESTATE TORNADO HST CHASSIS		Sida Page	
2004- 13		1563A						98	
Pos. Fig.	Antal/Quantity			Art nr Part No	Benämning	Description	Sats Kit	Anmärkning Notes	
	2521	2522							
X 1	1	1		1136-1499-01	Ram.....	Frame.....			
3	1	1		1136-0548-01	Fotstegsstöd-hö.....	Footboard support- RH.....			
4	1	1		1136-0549-01	Fotstegsstöd-vå.....	Footboard support- LH.....			
5	4	4		9898-0645-12	Skruv.....	Screw.....			
6	4	4		9699-0060-02	Planbricka.....	Flat washer.....			
7	4	4		9747-0631-02	Låsmutter.....	Lock nut.....			
21		1		1136-0267-01	Remstyrning.....	Belt guide.....			
22		2		9739-0631-22	Mutter.....	Nut.....			
23		2		1136-0261-01	Platta.....	Plate.....			
24		2		9997-0820-16	Skruv.....	Screw.....			
25		2		9747-0831-02	Mutter.....	Lock nut.....			
26	2			1136-0907-01	Remstyrning.....	Belt guide.....			
27	2			1136-0004-01	Fyrkantmutter.....	Square nut.....			
28	1	1		1136-0881-01	Remstyrning.....	Belt guide.....			
29	1	1		1136-0896-01	Fjäder.....	Spring.....			
30	2	2		1136-1247-01	Platta.....	Plate.....			
31	2	2		9847-8216-16	Skruv.....	Screw.....			
32	2	2		9699-0035-02	Planbricka.....	Flat washer.....			
41	1	1		1136-0906-01	Plåt- bak.....	Plate- rear.....			
42	2	2		9997-0825-16	Skruv.....	Screw.....			
43	1	1		1136-1051-01	Förstärkning.....	Reinforcement.....			
45	1	1		9997-0816-16	Skruv.....	Screw.....			
46	1	1		9739-0831-22	Mutter.....	Nut.....			
48	2	2		9699-0056-02	Planbricka.....	Flat washer.....			
49	2	2		9747-0831-02	Mutter.....	Lock nut.....			
50	1	1		9997-0840-16	Skruv.....	Screw.....			
51	1	1		9699-0090-02	Planbricka.....	Flat washer.....			
52	1	1		9747-0831-02	Mutter.....	Lock nut.....			
53	2	2		9739-0831-22	Mutter.....	Nut.....			
61	1	1		1136-0337-01	Sitsfäste.....	Seat support.....			
62	2	2		1136-0301-01	Förstärkningsstag.....	Reinforcement plate.....			
63	4	4		9997-0614-16	Skruv.....	Screw.....			
64	4	4		9739-0631-22	Mutter.....	Nut.....			
65	4	4		9997-0620-16	Skruv.....	Screw.....			
66	4	4		9699-0060-02	Planbricka.....	Flat washer.....			
67	4	4		9747-0631-02	Låsmutter.....	Lock nut.....			
68	1	1		1136-0302-01	Förstärkningsstag.....	Reinforcement plate.....			
69	2	2		9699-0056-02	Planbricka.....	Flat washer.....			
70	2	2		1136-0202-01	Fjäder.....	Spring.....			
71	2	2		9699-0090-02	Planbricka.....	Flat washer.....			
72	2	2		9739-0831-22	Mutter.....	Nut.....			
73	2	2		1136-0358-01	Skruv.....	Screw.....			
74	2	2		1136-0003-01	Fyrkantmutter.....	Square nut.....			
76	2	2		1136-0321-01	Vinkelfäste.....	Bracket.....			
77	2	2		9997-0816-16	Skruv.....	Screw.....			
78	2	2		9739-0831-22	Mutter.....	Nut.....			
79	2	2		1136-0086-01	Bult.....	Boit.....			
80	2	2		9712-0831-02	Låsmutter.....	Lock nut.....			
81	2	2		9997-0512-16	Skruv.....	Screw.....			
82	1	1		1136-0322-01	Vinkelfäste.....	Bracket.....			
83	2	2		9747-0531-02	Mutter.....	Nut.....			
84	1	1		1136-0925-01	Vinkelfäste.....	Angle bracket.....			
85	2	2		9847-8009-16	Skruv.....	Screw.....			
91	1	1		1136-0333-01	Stöd.....	Support.....			
92	2	2		9997-0614-16	Skruv.....	Screw.....			
93	2	2		9739-0631-22	Mutter.....	Nut.....			
94	2	2		9997-0614-16	Skruv.....	Screw.....			
95	2	2		9739-0631-22	Mutter.....	Nut.....			



Utgåva Issue		Bildnr Picture No		ESTATE TORNADO ESTATE TORNADO HST STYRNING		ESTATE TORNADO ESTATE TORNADO HST STEERING		Sida Page	
2004-13		1213B						100	
Pos. Fig.	Antal/Quantity			Art nr Part No	Benämning	Description	Sats Kit	Anmärkning Notes	
	2521	2522							
	1	1		1136-0466-01	Framaxel kpl	Front wheel axle assy		Inkl. pos 2, 3	
	2	4	4	1136-0121-01	• Bussning	• Bushing			
	3	2	2	9501-0500-00	• Smörjnippel	• Grease joint			
	4	1	1	1136-0485-01	Hjulspindel- hö	Stub axle- RH			
	5	1	1	9652-0015-04	Låsring	Retaining ring			
	6	1	1	1136-0486-01	Hjulspindel- vä	Stub axle- LH			
	7	1	1	1136-0349-01	Parallellstag	Tie rod			
	8	2	2	1136-0092-01	Kulled	Ball joint			
	9	2	2	9747-1031-02	Låsmutter	Lock nut			
	11	1	1	1136-0188-01	Styrmarm	Steering arm			
	12	1	1	9997-1055-12	Skruv	Screw			
	13	1	1	9747-1031-02	Låsmutter	Lock nut			
	14	1	1	1136-0165-01	Distans	Spacer			
	15	1	1	9997-1260-02	Skruv	Screw			
	16	2	2	1136-0016-01	Bricka	Washer			
	17	1	1	9683-0055-02	Låsbricka	Lock washer			
	18	1	1	9799-1231-02	Mutter	Nut			
	31	1	1	1136-0335-01	Stöd	Support			
	32	4	4	9997-0816-16	Skruv	Screw			
	33	4	4	9747-0831-02	Mutter	Lock nut			
X	34	1	1	1136-1496-01	Fäste	Support			
	35	4	4	9847-8216-16	Skruv	Screw			
X	36	1	1	1136-1469-01	Bussning	Bushing			
X	37	1	1	1136-1471-01	Rattstång	Steering column			
	38	1	1	1136-0263-01	Styrdrev	Steering pinion			
	39	1	1	9595-0262-00	Spännstift	Locating pin			
	40	1	1	9699-0037-02	Bricka	Washer			
	41	1	1	1136-0008-01	Låsplatta	Lock plate			
	42	1	1	1136-0128-01	Bussning	Bushing			
	43	1	1	1136-0246-01	Pinnbult	Stud bolt			
	44	1	1	9799-1031-02	Mutter	Nut			
	45	2	2	1136-0310-01	Bricka	Washer			
	46	1	1	1136-0320-01	Styrsektor	Steering sector			
	47	1	1	1136-0311-01	Bricka	Washer			
	48	1	1	1136-0083-01	Fjäderbricka	Elastic washer			
	49	1	1	9699-0035-02	Planbricka	Flat washer			
	50	2	2	9799-1031-02	Mutter	Nut			
	51	3	3	1136-0087-01	Bricka	Washer			
	52	1	1	1136-0015-01	Bricka	Washer			
	53	1	1	9599-0070-02	Saxsprint	Split pin			
	54	1	1	9747-1031-02	Låsmutter	Lock nut			
	55	1	1	1136-0111-01	Styrstag	Steering rod			
	56	2	2	1136-0092-01	Kulled	Ball joint			
	58	2	2	9747-1031-02	Låsmutter	Lock nut			
	59		1	1136-0279-01	Brytarskydd	Micro protection			
	60		2	9847-7813-16	Skruv	Screw			
	61	2	2	9699-0035-02	Planbricka	Flat washer			
X	62	1	1	1136-1477-01	Stöd	Support			
	63	2	2	9847-8116-16	Skruv	Screw			
X	64	1	1	1136-1473-01	Länk	Joint			
	72	2	2	1136-0454-01	Fälg	Rim			
	73	4	4	1136-0157-01	Lager	Bearing			
	74	2	2	1136-0269-01	Däck (Turf Saver)	Tire (Turf Saver)			
	74	2	2	1136-0271-01	Däck (Deli)	Tire (Deli)			
	75	2	2	1136-0305-01	Bricka	Washer			
	76	2	2	9652-0015-04	Låsring	Retaining ring			
	77	2	2	1136-0081-01	Navkapsel	Hub cap			
	78	2	2	1136-0359-01	Ventil	Valve			

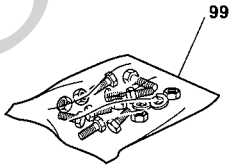
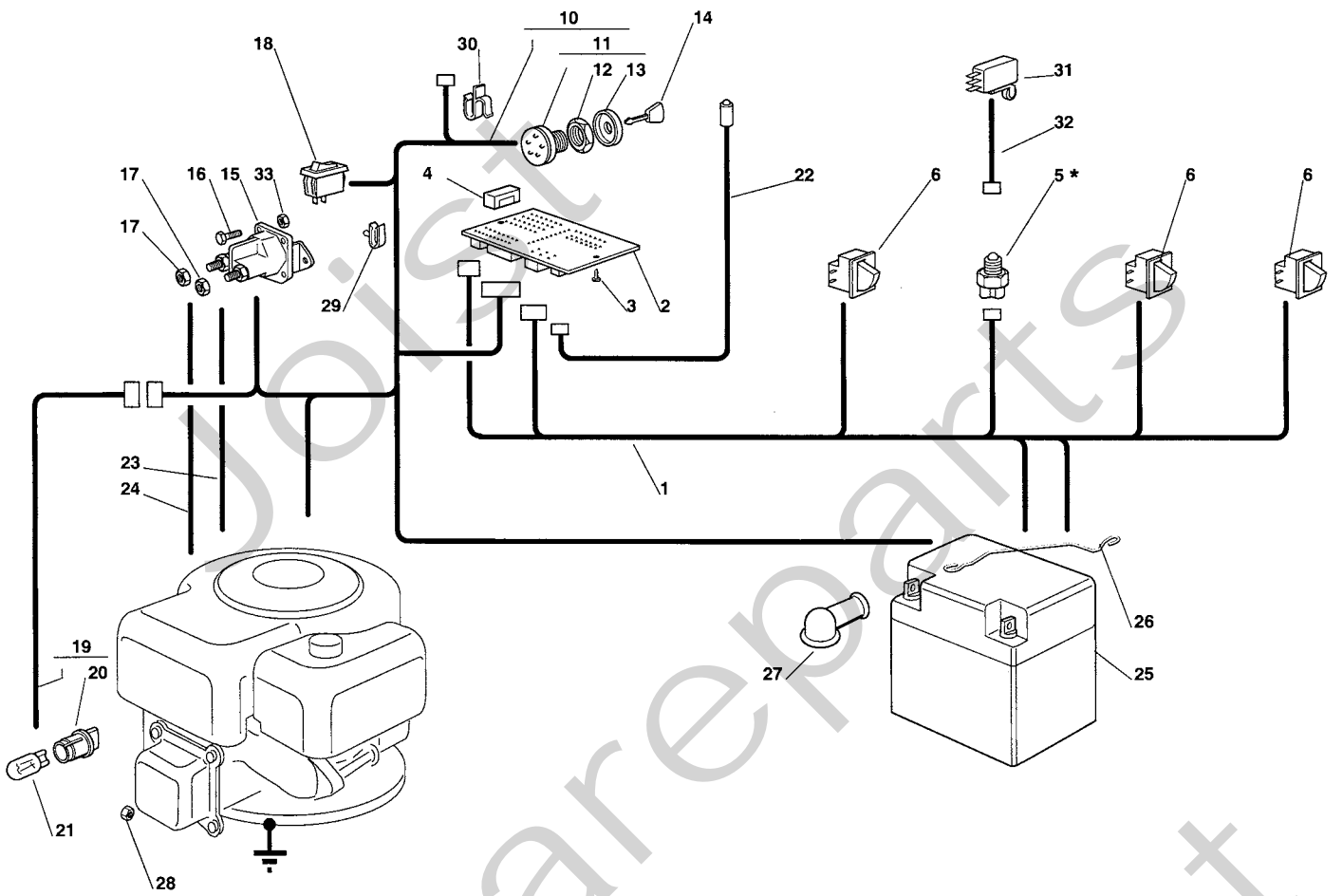


Utgåva Issue 2004- 13		Bildnr Picture No 1214A		ESTATE TORNADO BROMSREGLAGE VÄXELREGLAGE		ESTATE TORNADO BRAKE CONTROL GEAR SHIFTER CONTROL		Sida Page 102	
Pos. Fig.	Antal/Quantity			Art nr Part No	Benämning	Description	Sats Kit	Anmärkning Notes	
	2521								
1	1			1136-0506-01	Bromspedal	Brake pedal			
2	1			1136-0152-01	Pedalskydd	Pedal cover			
3	1			1136-0254-01	Bygel	Clamp			
4	1			1136-0255-01	Bygel	Clamp			
5	6			9847-8016-16	Skruv	Screw			
6	1			1136-0116-01	Bromsstång	Brake rod			
7	1			1136-0244-01	Ledbult	Pivot bolt			
8	1			1136-0218-01	Fjäder	Spring			
9	2			9699-0035-02	Planbricka	Flat washer			
10	1			9799-1031-02	Mutter	Nut			
11	1			1136-0172-01	Distans	Spacer			
12	1			1136-0329-01	Bygel	Clamp			
13	1			9699-0060-02	Planbricka	Flat washer			
14	1			9747-0631-02	Låsmutter	Lock nut			
15	1			9699-0090-02	Planbricka	Flat washer			
16	1			1136-0009-01	Låsplatta	Lock plate			
17	1			1136-0441-01	Spärraxel	Axle			
18	1			1136-0217-01	Fjäder	Spring			
19	2			1136-0256-01	Bygel	Plate			
20	4			9847-8016-16	Skruv	Screw			
21	1			1136-0119-01	P- bromsarm	P- brake lever			
22	1			9675-0011-00	Starlock	Starlock			
23	1			1136-0392-01	Knopp	Knob			
24	1			9747-1031-02	Låsmutter	Lock nut			
31	1			1136-0233-01	Pinnbult	Stud bolt			
32	1			9712-0831-02	Låsmutter	Lock nut			
33	1			1136-0088-01	Bricka	Washer			
34	1			1136-0529-01	Spakhållare	Gear lever bracket			
35	1			1136-0490-01	Växelspak	Gear lever			
36	1			1136-0212-01	Fjäder	Spring			
37	1			9997-0880-16	Skruv	Screw			
38	1			9747-0831-02	Mutter	Lock nut			
39	1			9699-0056-02	Planbricka	Flat washer			
40	1			9712-0831-02	Låsmutter	Lock nut			
41	1			1136-0197-01	Handtag	Knob			
42	1			1136-0107-01	Växelstag	Shifter rod			
43	1			1136-0093-01	Kulled	Ball joint			
44	1			9683-0030-02	Låsbricka	Lock washer			
45	1			9799-0831-02	Mutter	Nut			
46	1			1136-0187-01	Växelarm	Gearshift arm			
47	1			9997-0640-12	Skruv	Screw			
48	2			9699-0035-02	Planbricka	Flat washer			
49	1			9747-0631-02	Låsmutter	Lock nut			
50	1			9599-0070-02	Saxsprint	Split pin			

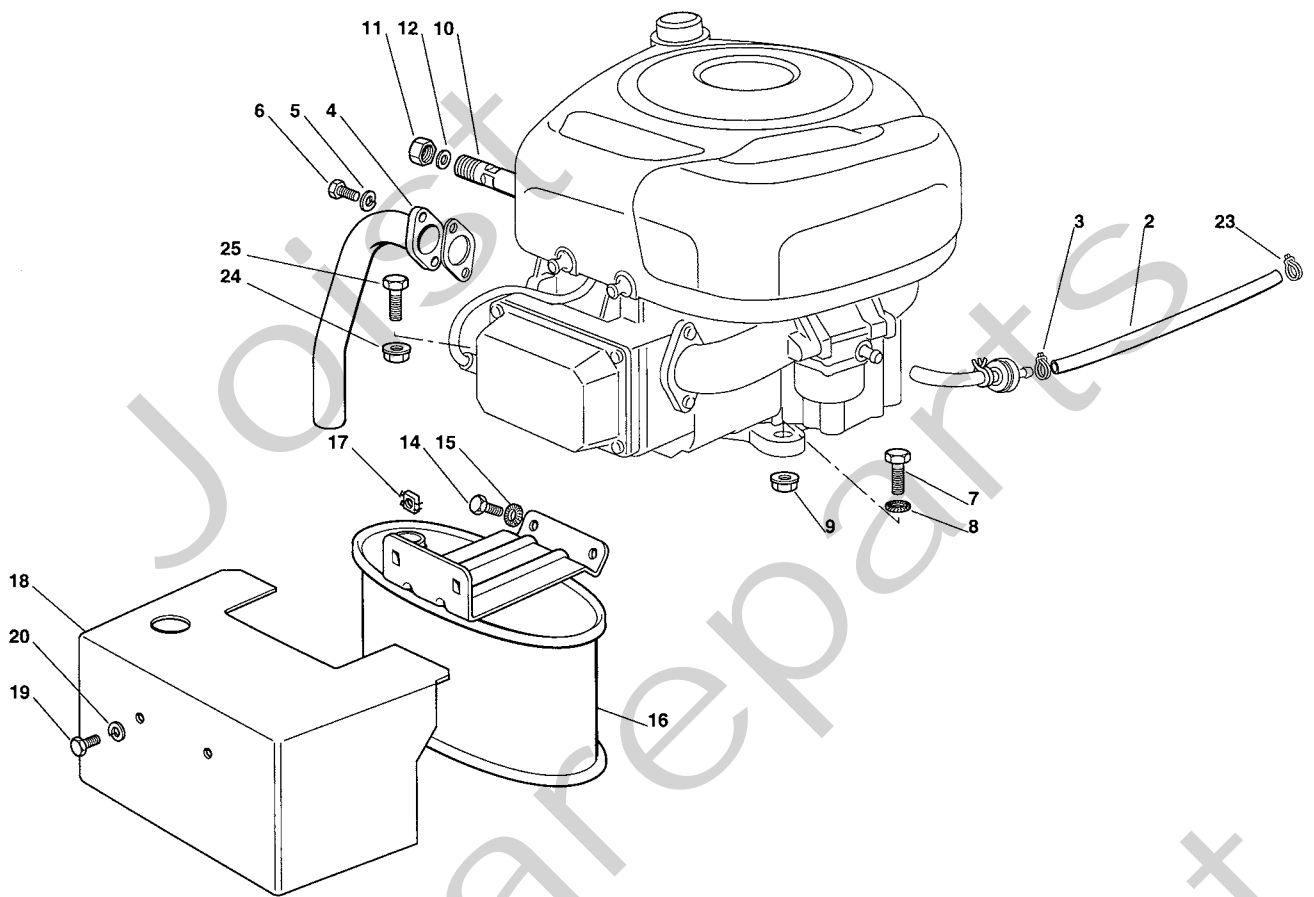


Utgåva Issue 2004-13		Bildnr Picture No 1215A		ESTATE TORNADO HST BROMSREGLAGE DRIVREGLAGE		ESTATE TORNADO HST BRAKE CONTROL DRIVE CONTROL		Sida Page 104	
Pos. Fig.	Antal/Quantity			Art nr Part No	Benämning	Description	Sats Kit	Anmärkning Notes	
	2522								
1	1			1136-0510-01	Pedal	Pedal			
2	1			1136-0151-01	Pedalskydd	Pedal cover			
3	1			1136-0254-01	Bygel	Clamp			
4	4			9847-8016-16	Skruv	Screw			
5	1			1136-0117-01	Bromsstång	Brake rod			
6	1			9699-0090-02	Planbricka	Flat washer			
7	1			9675-0012-02	Starlock	Locking washer			
8	1			1136-0248-01	Ledbult	Pivot bolt			
9	1			1136-0218-01	Fjäder	Spring			
10	2			9699-0035-02	Planbricka	Flat washer			
11	1			1136-0329-01	Bygel	Clamp			
12	1			9799-1031-02	Mutter	Nut			
13	1			9747-1031-02	Låsmutter	Lock nut			
14	1			9699-0090-02	Planbricka	Flat washer			
15	1			9747-0831-02	Mutter	Lock nut			
31	1			1136-0441-01	Spärraxel	Axle			
32	1			1136-0217-01	Fjäder	Spring			
33	2			1136-0256-01	Bygel	Plate			
34	4			9847-8016-16	Skruv	Screw			
35	1			1136-0119-01	P-bromsarm	P-brake lever			
36	1			9675-0011-00	Starlock	Starlock			
37	1			1136-0392-01	Knopp	Knob			
51	1			1136-0507-01	Drivpedal	Drive pedal			
52	1			1136-0149-01	Pedalskydd- fram	Pedal cover- front			
53	1			1136-0150-01	Pedalskydd- bak	Pedal cover- rear			
54	1			1136-1495-01	Fäste kpl	Support assy		Inkl. pos 55 - 56	
55	2			1136-0121-01	• Bussning	• Bushing			
56	1			9501-0500-00	• Smörjnippel	• Grease joint			
57	2			9997-0616-16	Skruv	Screw			
58	2			9739-0631-22	Mutter	Nut			
59	1			1136-0500-01	Pedalaxel	Pedal axle			
60	2			9650-0020-04	Spårring	Circlip			
61	1			1136-0090-01	Bricka	Washer			
62	1			9997-0816-16	Skruv	Screw			
63	1			9683-0030-02	Låsbricka	Lock washer			
64	1			1136-0118-01	Stag	Drive rod			
65	1			1136-0241-01	Ledbult	Pivot bolt			
66	1			1136-0247-01	Ledbult	Pivot bolt			
67	2			9799-0831-02	Mutter	Nut			
68	2			9747-0831-02	Mutter	Lock nut			
69	1			9699-0035-02	Planbricka	Flat washer			
70	1			9699-0060-02	Planbricka	Flat washer			
71	1			9747-0631-02	Låsmutter	Lock nut			
72	1			1136-0533-01	Fäste	Support			
73	1			9699-0060-02	Planbricka	Flat washer			
74	1			9747-0631-02	Låsmutter	Lock nut			
75	1			9997-0620-16	Skruv	Screw			
76	1			9747-0631-02	Låsmutter	Lock nut			
77	1			1136-0330-01	Bygel	Clamp			
78	2			9848-8013-16	Skruv	Screw			
80	1			1136-0407-01	Plåt	Plate			
81	2			1136-1214-01	Skruv	Screw			
82	2			9683-0005-02	Låsbricka	Lock washer			
83	2			9799-0331-02	Mutter	Nut			

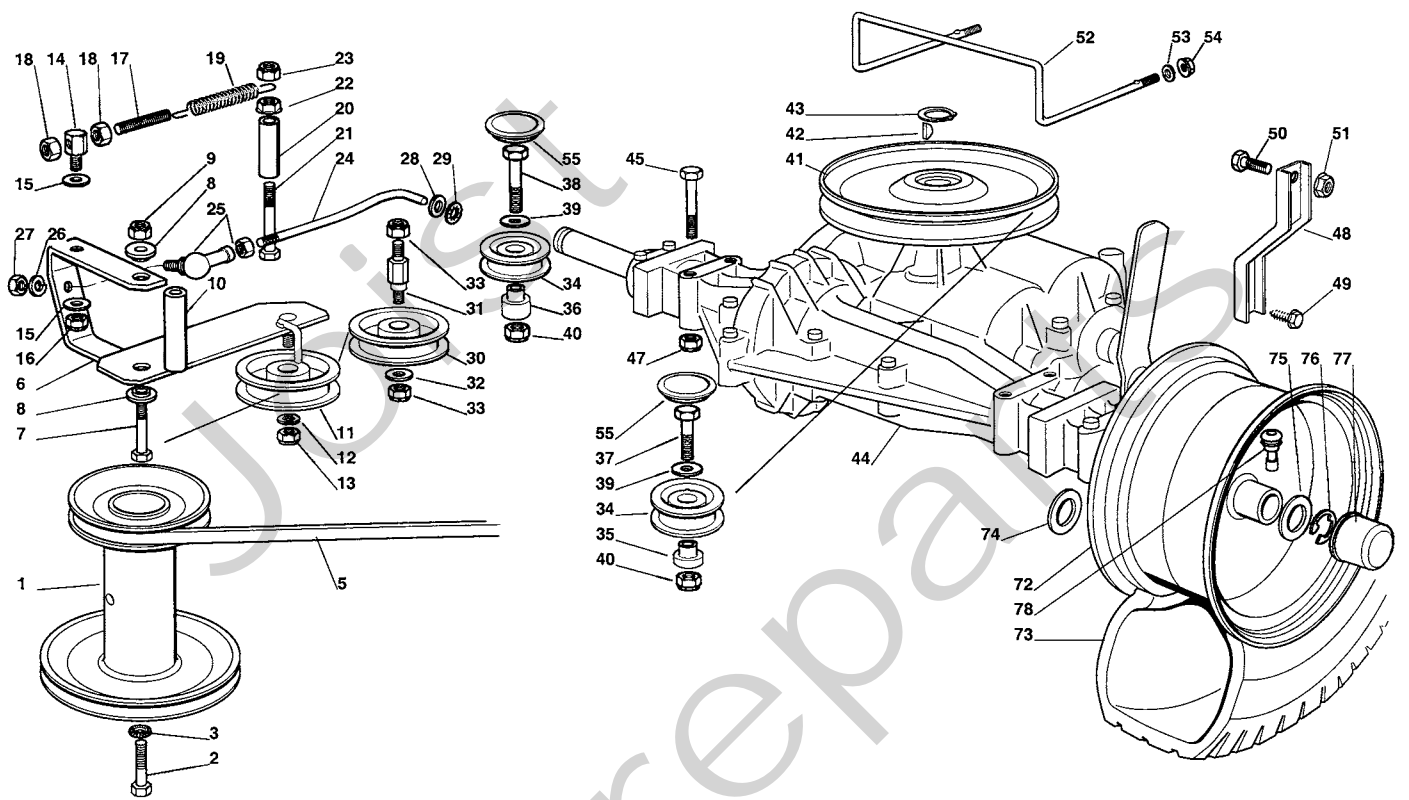
X



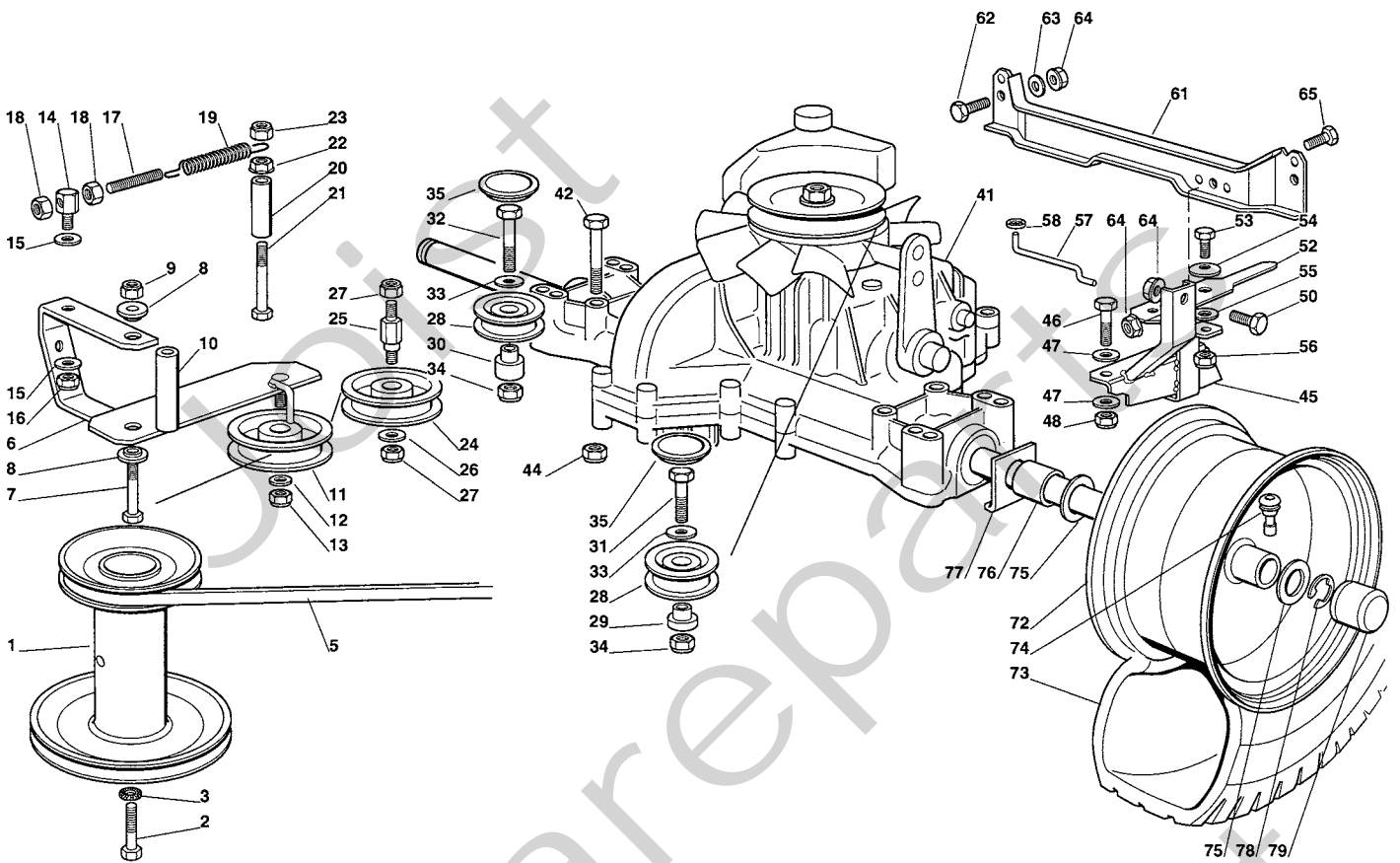
Utgåva Issue		Bildnr Picture No		ESTATE TORNADO ESTATE TORNADO HST ELUTRUSTNING		ESTATE TORNADO ESTATE TORNADO HST EL. EQUIPMENT		Sida Page	
2004-13		1447B						106	
Pos. Fig.	Antal/Quantity			Art nr Part No	Benämning	Description	Sats Kit	Anmärkning Notes	
	2521	2522							
1	1	1		1136-1035-01	Kabelhärva.....	Harness.....			
2	1	1		1136-0919-01	Elektronikkort.....	Electronic card.....			
3	2	2		9847-7813-16	Skruv.....	Screw.....			
4	1	1		1136-0428-01	• Säkring.....	• Fuse.....		6.3 A	
5	1	1		786194	Brytare.....	Neutral start switch.....		Neutral	
6	3	3		1136-0073-01	Mikrobrytare.....	Micro switch.....			
10	1	1		1136-0469-01	Kabelhärva.....	Harness.....		Inkl. pos 11	
11	1	1		1136-0056-01	• Tändningslås.....	• Ignition switch.....		Inkl. pos 12 - 13	
12	1	1		1136-0049-01	•• Mutter.....	•• Nut.....			
13	1	1		1134-4097-01	•• Täckkåpa.....	•• Cap.....			
14	1	1		1134-2848-01	Tändningsnyckel.....	Ignition key.....			
15	1	1		1136-0065-01	Startrelä.....	Solenoid.....			
16	2	2		9997-0620-16	Skruv.....	Screw.....			
17	2	2		9794-5131-02	Mutter.....	Nut.....			
18	1	1		1136-0055-01	Brytare.....	Switch.....		Strålkastare/light	
19	1	1		1136-0468-01	Kabel.....	Cable.....		Inkl. pos 20	
20	2	2		1136-0429-01	• Lamphållare.....	• Lamp holder.....			
21	2	2		1136-0058-01	Glödlampa.....	Bulb.....			
22	1	1		1136-0135-01	Kabel.....	Cable.....			
23	1	1		1136-0134-01	Kabel.....	Cable.....			
24	1	1		1136-0136-01	Kabelhärva.....	Harness.....			
25	1	1		1134-4804-01	Batteri.....	Battery.....			
26	1	1		1136-0215-01	Fjäder.....	Spring.....			
27	1	1		1136-0059-01	Polskydd.....	Protection.....			
28	1	1		9795-3531-02	Mutter.....	Nut.....			
29	4	4		1136-0427-01	Kabelhållare.....	Cable holder.....			
30	1	1		1136-0426-01	Kabelhållare.....	Cable holder.....			
31	1	1		1136-0076-01	Mikrobrytare.....	Micro switch.....			
32	1	1		1136-0865-01	Kabel.....	Cable.....			
33	2	2		9739-0631-22	Mutter.....	Nut.....			
99	1	1		1136-1108-01	Tillbehörspåse.....	Key outfit.....		Inkl. pos 4, 14	



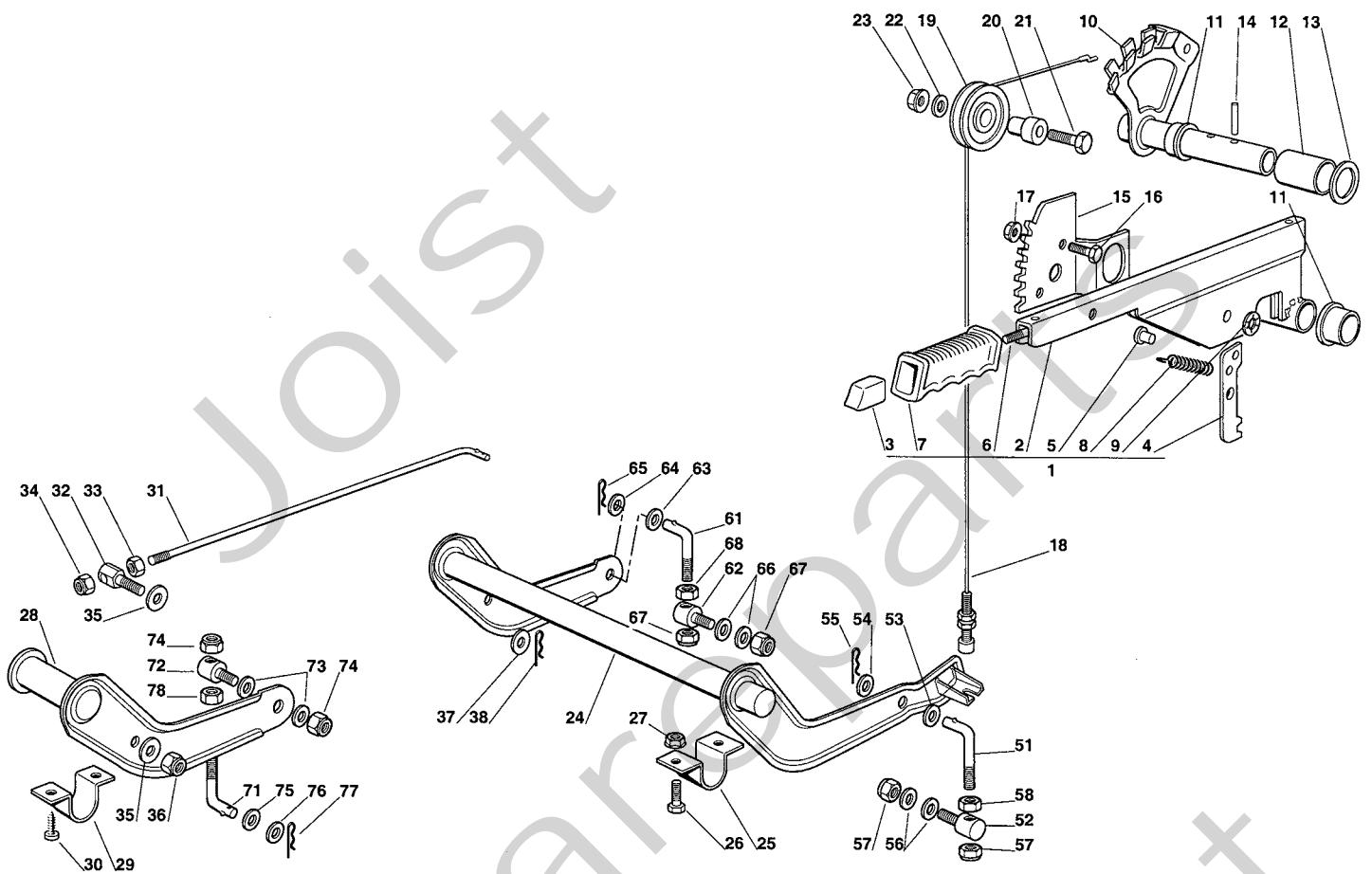
Utgåva Issue		Bildnr Picture No		ESTATE TORNADO ESTATE TORNADO HST MOTOR		ESTATE TORNADO ESTATE TORNADO HST ENGINE		Sida Page	
2004-13		1701						108	
Pos. Fig.	Antal/Quantity			Art nr Part No	Benämning	Description	Sats Kit	Anmärkning Notes	
	2521	2522							
X	2	2		1136-0354-01	Bränsleslang	Fuel hose			
	3	1		1136-0045-01	Slangklämma	Hose clamp			
	4	1		1136-1467-01	Avgasrör	Exhaust conn. tube			
	5	2		9683-0030-02	Låsbricka	Lock washer			
	6	2		9988-3619-16	Skruv	Screw			
	7	1		9997-0840-16	Skruv	Screw		L = 40 mm	
	8	1		9677-0009-02	Låsbricka	Lock washer			
	9	1		9739-0831-22	Mutter	Nut			
	10	1		1136-0273-01	Oljeavtappningsrör	Oil drain tube			
	11	1		1136-0066-01	Oljeavtappningsplugg	Oil drain plug			
	12	1		1136-0054-01	Tätningring	Oil seal			
	14	2		9997-0820-16	Skruv	Screw			
	15	2		9677-0009-02	Låsbricka	Lock washer			
	16	1		1136-1054-01	Ljuddämpare	Muffler			
	17	2		1136-0004-01	Fyrkantmutter	Square nut			
	18	1		1136-1048-01	Skydd	Guard			
	19	2		9997-0816-16	Skruv	Screw			
	20	2		9683-0030-02	Låsbricka	Lock washer			
	23	1		1136-0046-01	Slangklämma	Hose clamp			
	24	3		9739-0831-22	Mutter	Nut			
25	3		9997-0835-12	Skruv	Screw		L = 35 mm		



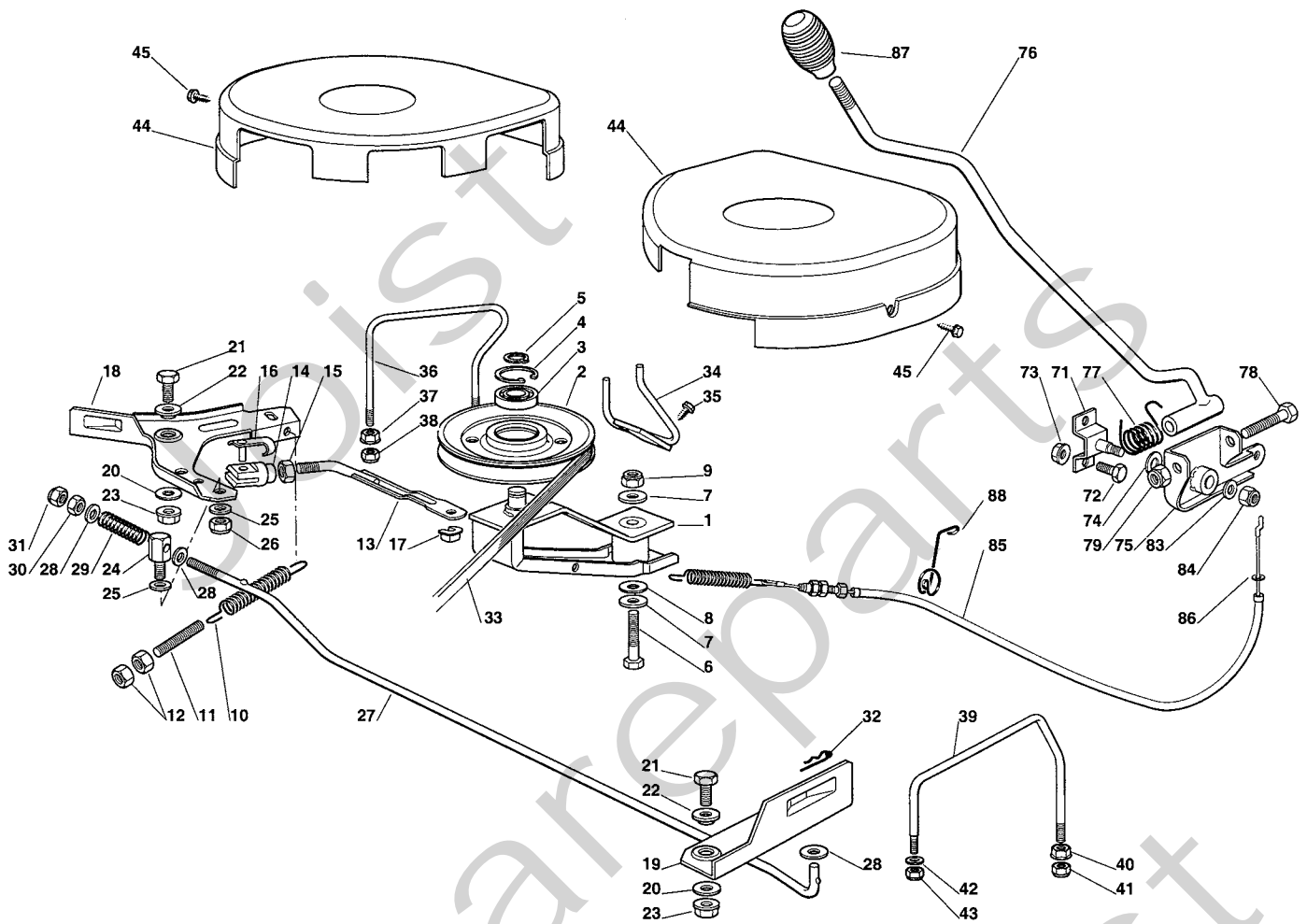
Utgåva Issue		Bildnr Picture No		ESTATE TORNADO TRANSMISSION		ESTATE TORNADO TRANSMISSION		Sida Page	
2004-13		1217						110	
Pos. Fig.	Antal/Quantity			Art nr Part No	Benämning	Description	Sats Kit	Anmärkning Notes	
	2521								
1	1			1136-0286-01	Motorremskiva	Engine belt pulley			
2	1			9987-5351-12	Skruv	Screw			
3	1			9683-0045-02	Bricka	Washer			
5	1			1136-0433-01	Kilrem	V-belt			
6	1			1136-0489-01	Spännarm	Tension arm			
7	1			9997-0630-12	Skruv	Screw			
8	2			1136-0123-01	Bussning	Bushing			
9	1			9747-0831-02	Mutter	Lock nut			
10	1			1136-0166-01	Distans	Spacer			
11	1			1136-0289-01	Spännrulle	Idler pulley			
12	1			9699-0056-02	Planbricka	Flat washer			
13	1			9747-0831-02	Mutter	Lock nut			
14	1			1136-0235-01	Ledbult	Pivot bolt			
15	2			1136-0309-01	Bricka	Washer			
16	1			9747-0831-02	Mutter	Lock nut			
17	1			1136-0348-01	Spännstång	Tie rod			
18	2			9799-0831-02	Mutter	Nut			
19	1			1136-0208-01	Fjäder	Spring			
20	1			1136-0162-01	Distans	Spacer			
21	1			9997-0880-16	Skruv	Screw			
22	1			9739-0831-22	Mutter	Nut			
23	1			9747-0831-02	Mutter	Lock nut			
24	1			1136-0346-01	Spännstång	Tie rod			
25	1			1136-0093-01	Kulled	Ball joint			
26	1			9683-0030-02	Låsbricka	Lock washer			
27	1			9799-0831-02	Mutter	Nut			
28	1			9699-0090-02	Planbricka	Flat washer			
29	1			9675-0012-02	Starlock	Locking washer			
30	1			1136-0290-01	Remrulle	Belt roller			
31	1			1136-0234-01	Pinnbult	Stud bolt			
32	1			9699-0056-02	Planbricka	Flat washer			
33	2			9747-0831-02	Mutter	Lock nut			
34	2			1136-0915-01	Remrulle	Belt roller			
35	1			1136-0167-01	Distans- vä	Spacer- LH			
36	1			1136-0164-01	Distans- hö	Spacer- RH			
37	1			9997-0835-12	Skruv	Screw			
38	1			9997-0845-12	Skruv	Screw			
39	2			9699-0056-02	Planbricka	Flat washer			
40	2			9747-0831-02	Mutter	Lock nut			
41	1			1136-0520-01	Remskiva	Belt pulley			
42	1			9600-0050-00	Woodruffkil	Key			
43	1			9650-0016-04	Spärring	Lock ring			
44	1			1136-0050-01	Transaxel	Transaxle			
45	4			9997-0860-16	Skruv	Screw		Peerless MST 205-535	
47	4			9739-0831-22	Mutter	Nut			
48	2			1136-0325-01	Momentstag	Stay			
49	2			1136-0017-01	Skruv	Screw			
50	2			9997-0816-16	Skruv	Screw			
51	2			9739-0831-22	Mutter	Nut			
52	1			1136-0181-01	Remstyrning	Belt guide			
53	4			9699-0035-02	Planbricka	Flat washer			
54	2			9747-0831-02	Mutter	Lock nut			
55	2			1136-0868-01	Lock	Cover			
72	2			1136-0455-01	Fälg	Rim			
73	2			1136-0270-01	Däck (Turf Saver)	Tire (Turf Saver)			
73	2			1136-0272-01	Däck (Deli)	Tire (Deli)			
74	2-4			9699-0119-02	Bricka	Washer			
75	2			1136-0305-01	Bricka	Washer			
76	2			9652-0015-04	Låsring	Retaining ring			
77	2			1136-0081-01	Navkapsel	Hub cap			
78	2			9545-0500-00	Ventil	Valve			



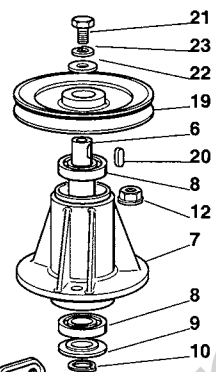
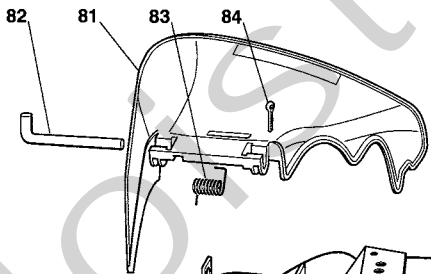
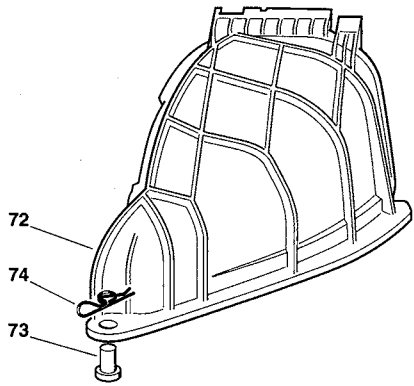
Utgåva Issue		Bildnr Picture No		ESTATE TORNADO HST TRANSMISSION		ESTATE TORNADO HST TRANSMISSION		Sida Page	
2004-13		1564						112	
Pos. Fig.	Antal/Quantity			Art nr Part No	Benämning	Description	Sats Kit	Anmärkning Notes	
	2522								
1	1			1136-0287-01	Motorremskiva	Engine belt pulley			
2	1			9987-5351-12	Skruv	Screw			
3	1			9683-0045-02	Bricka	Washer			
5	1			1136-0432-01	Kilrem	V-belt			
6	1			1136-0489-01	Spännarm	Tension arm			
7	1			9997-0630-12	Skruv	Screw			
8	2			1136-0123-01	Bussning	Bushing			
9	1			9747-0831-02	Mutter	Lock nut			
10	1			1136-0166-01	Distans	Spacer			
11	1			1136-0289-01	Spännrulle	Idler pulley			
12	1			9699-0056-02	Planbricka	Flat washer			
13	1			9747-0831-02	Mutter	Lock nut			
14	1			1136-0235-01	Ledbult	Pivot bolt			
15	2			1136-0309-01	Bricka	Washer			
16	1			9747-0831-02	Mutter	Lock nut			
17	1			1136-0348-01	Spännstång	Tie rod			
18	2			9799-0831-02	Mutter	Nut			
19	1			1136-0208-01	Fjäder	Spring			
20	1			1136-0162-01	Distans	Spacer			
21	1			9997-0880-16	Skruv	Screw			
22	1			9739-0831-22	Mutter	Nut			
23	1			9747-0831-02	Mutter	Lock nut			
24	1			1136-0290-01	Remrulle	Belt roller			
25	1			1136-0234-01	Pinnbult	Stud bolt			
26	1			9699-0056-02	Planbricka	Flat washer			
27	2			9747-0831-02	Mutter	Lock nut			
28	2			1136-0915-01	Remrulle	Belt roller			
29	1			1136-0174-01	Distans- vä	Spacer- LH			
30	1			1136-0170-01	Distans- hö	Spacer- RH			
31	1			9997-0840-16	Skruv	Screw			
32	1			9997-0850-16	Skruv	Screw			
33	2			9699-0056-02	Planbricka	Flat washer			
34	2			9747-0831-02	Mutter	Lock nut			
35	2			1136-0868-01	Lock	Cover			
41	1			1136-0053-01	Transaxel	Transaxle		Kanzaki K46S	
42	4			9997-0860-16	Skruv	Screw			
44	4			9739-0831-22	Mutter	Nut			
45	1			1136-1056-01	Stöd	Support			
46	1			9997-0845-12	Skruv	Screw			
47	2			9699-0090-02	Planbricka	Flat washer			
48	1			9747-0831-02	Mutter	Lock nut			
50	1			9997-0816-16	Skruv	Screw			
52	1			1136-0190-01	Arm	Lever			
53	1			9997-0820-16	Skruv	Screw			
54	1			1136-0006-01	Fjäderbricka	Elastic washer			
55	1			1136-0309-01	Bricka	Washer			
56	1			9747-0831-02	Mutter	Lock nut			
57	1			1136-0114-01	Stag	Rod			
58	1			9675-0009-02	Starlock	Starlock			
61	1			1136-0918-01	Förstärkning	Reinforcement			
62	2			1136-0821-01	Skruv	Screw			
63	2			9699-0090-02	Planbricka	Flat washer			
64	4			9739-0831-22	Mutter	Nut			
65	1			1136-0822-01	Skruv	Screw			
72	2			1136-0455-01	Fälg	Rim			
73	2			1136-0270-01	Däck (Turf Saver)	Tire (Turf Saver)			
73	2			1136-0272-01	Däck (Deli)	Tire (Deli)			
74	2			9545-0500-00	Ventil	Valve			
75	4			9699-0119-02	Bricka	Washer			
76	2			1136-0175-01	Distans	Spacer			
77	2			1136-0312-01	Bricka	Washer			
78	2			9652-0015-04	Låsring	Retaining ring			
79	2			1136-0081-01	Navkapsel	Hub cap			



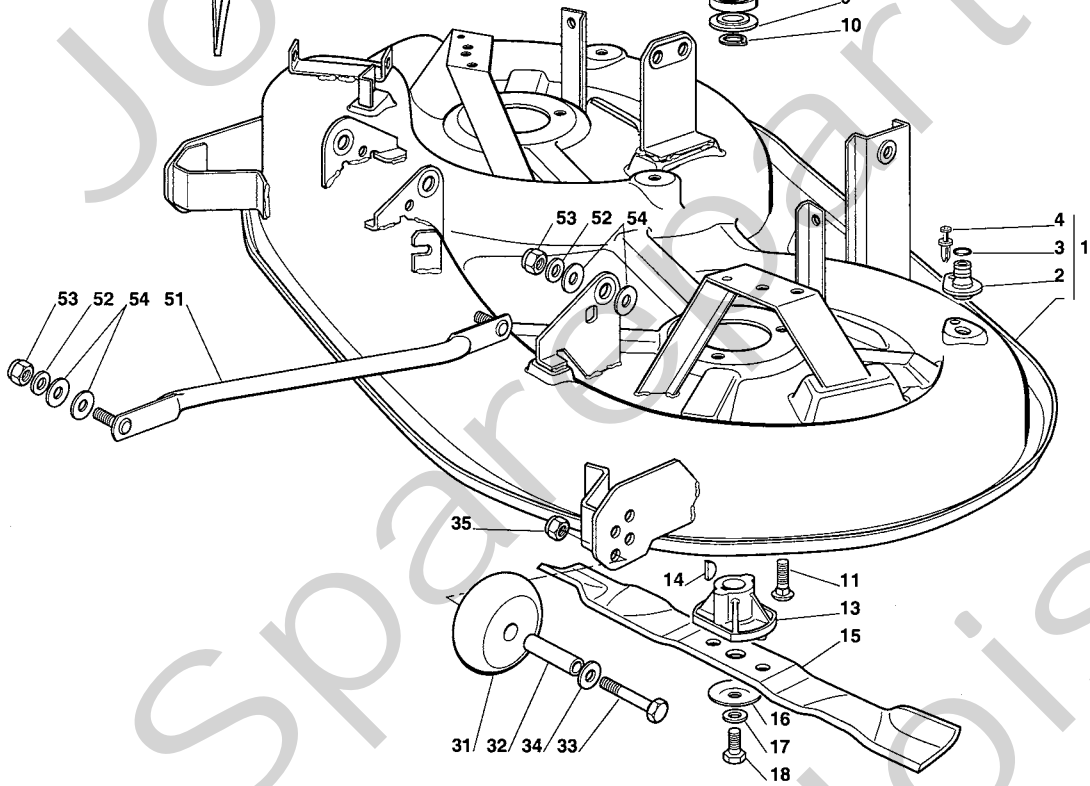
Utgåva Issue		Bildnr Picture No		ESTATE TORNADO ESTATE TORNADO HST AGGREGATSLYFT		ESTATE TORNADO ESTATE TORNADO HST MOWER DECK LIFT		Sida Page	
2004- 13		1702						114	
Pos. Fig.	Antal/Quantity			Art nr Part No	Benämning	Description	Sats Kit	Anmärkning Notes	
	2521	2522							
1	1			1136-0487-01	Lyftspak kpl	Lift lever assy		Inkl. pos 2 - 9	
2	1			1136-0493-01	• Lyftspak	• Lift lever			
3	1			1136-0298-01	• Tryckknapp	• Button			
4	1			1136-0222-01	• Spärrhake	• Dog			
5	1			1136-0227-01	• Sprint	• Pin			
6	1			1136-0105-01	• Tryckstäng	• Push rod			
7	1			1136-0193-01	• Handtag	• Handle			
8	1			1136-0203-01	• Fjäder	• Spring			
9	1			9675-0012-02	• Starlock	• Locking washer			
10	1			1136-0444-01	Lyftaxel	Axle			
11	2			1136-0078-01	Bussning	Bushing			
12	1			1136-0163-01	Distans	Spacer			
13	1			9699-0119-02	Bricka	Washer			
14	2			9595-0235-00	Spännstift	Locating pin			
15	1			1136-0319-01	Höjdställn.segment	Height adjust sector			
16	2			9997-0816-16	Skruv	Screw			
17	2			9739-0831-22	Mutter	Nut			
18	1			1136-0460-01	Lyftwire	Lift wire			
19	1			1136-0291-01	Wirerulle	Cable pulley			
20	1			1136-0232-01	Distans	Spacer			
21	1			9997-0850-16	Skruv	Screw			
22	1			9699-0056-02	Planbricka	Flat washer			
23	1			9739-0831-22	Mutter	Nut			
24	1			1136-0443-01	Lyftaxel	Lift axle			
25	2			1136-0253-01	Bygel	Clamp			
26	4			9997-0616-16	Skruv	Screw			
27	4			9739-0631-22	Mutter	Nut			
28	1			1136-0492-01	Lyftarm	Lift arm			
29	2			1136-0255-01	Bygel	Clamp			
30	4			9847-8016-16	Skruv	Screw			
31	1			1136-0108-01	Lyftstag	Lift rod			
32	1			1136-0235-01	Ledbult	Pivot bolt			
33	1			9799-0831-02	Mutter	Nut			
34	1			9747-0831-02	Mutter	Lock nut			
35	2			1136-0309-01	Bricka	Washer			
36	1			9747-0831-02	Mutter	Lock nut			
37	1			9699-0090-02	Planbricka	Flat washer			
38	1			1136-0095-01	Låsnål	Hair pin			
51	1			1136-0347-01	Lyftlänk	Lift tie rod			
52	1			1136-0231-01	Ledbult	Pivot bolt			
53	1			9699-0035-02	Planbricka	Flat washer			
54	1			1136-0308-01	Bricka	Washer			
55	1			1136-0095-01	Låsnål	Hair pin			
56	2			1136-0308-01	Bricka	Washer			
57	2			9747-1031-02	Låsmutter	Lock nut			
58	1			9799-1031-02	Mutter	Nut			
61	1			1136-0347-01	Lyftlänk	Lift tie rod			
62	1			1136-0231-01	Ledbult	Pivot bolt			
63	1			9699-0035-02	Planbricka	Flat washer			
64	1			1136-0308-01	Bricka	Washer			
65	1			1136-0095-01	Låsnål	Hair pin			
66	2			1136-0308-01	Bricka	Washer			
67	2			9747-1031-02	Låsmutter	Lock nut			
68	1			9799-1031-02	Mutter	Nut			
71	1			1136-0928-01	Spännlänk	Tie rod			
72	1			1136-0231-01	Ledbult	Pivot bolt			
73	2			1136-0308-01	Bricka	Washer			
74	2			9747-1031-02	Låsmutter	Lock nut			
75	1			9699-0035-02	Planbricka	Flat washer			
76	1			1136-0308-01	Bricka	Washer			
77	1			1136-0095-01	Låsnål	Hair pin			
78	1			9799-1031-02	Mutter	Nut			



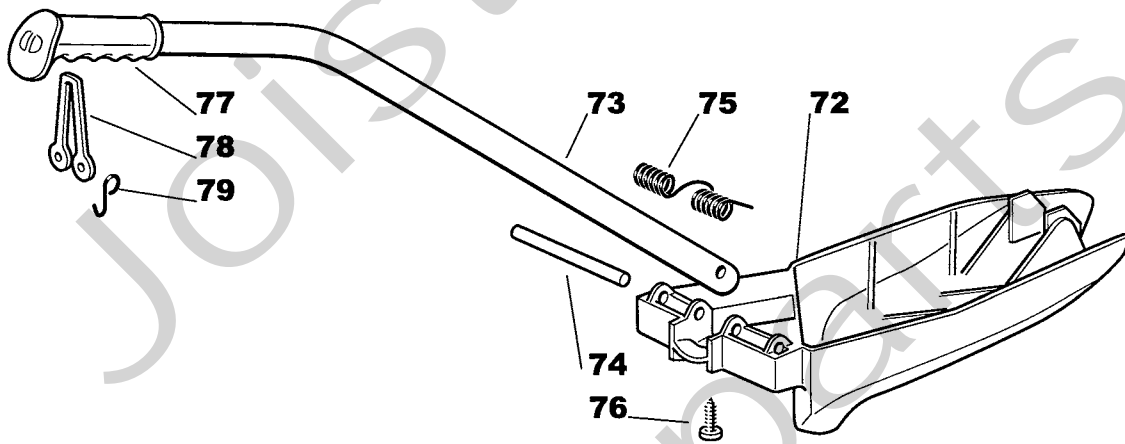
Utgåva Issue 2004-13		Bildnr Picture No 1448A		ESTATE TORNADO ESTATE TORNADO HST AGGREGATSINKOPPLING		ESTATE TORNADO ESTATE TORNADO HST MOWER DECK ENGAGEMENT		Sida Page 116	
Pos. Fig.	Antal/Quantity			Art nr Part No	Benämning	Description	Sats Kit	Anmärkning Notes	
	2521	2522							
1	1			1136-0494-01	Spännarm.....	Tension arm.....			
2	1			1136-0917-01	Remskiva.....	Pulley.....			
3	1			1136-0070-01	Kullager.....	Ball bearing.....			
4	1			9651-0035-04	Låsring.....	Lock ring.....			
5	1			9650-0015-04	Låsring.....	Lock ring.....			
6	1			9997-0890-12	Skruv.....	Screw.....			
7	2			1136-0014-01	Bricka.....	Washer.....			
8	1			1136-0089-01	Bricka.....	Washer.....			
9	1			9747-0831-02	Mutter.....	Lock nut.....			
10	1			1136-0859-01	Fjäder.....	Spring.....			
11	1			1136-0348-01	Spännstång.....	Tie rod.....			
12	2			9799-0831-02	Mutter.....	Nut.....			
13	1			1136-1028-01	Stag.....	Rod.....			
14	1			1136-0836-01	Gaffel.....	Fork.....			
15	1			9799-0831-02	Mutter.....	Nut.....			
16	1			1136-0835-01	Låsbult.....	Clip.....			
17	1			1136-0009-01	Låsplatta.....	Lock plate.....			
18	1			1136-0886-01	Arm- hö.....	Lever- RH.....			
19	1			1136-0885-01	Arm- vä.....	Lever- LH.....			
20	2			1136-0089-01	Bricka.....	Washer.....			
21	2			9997-0816-16	Skruv.....	Screw.....			
22	2			1136-0079-01	Bussning.....	Bushing.....			
23	2			9739-0831-22	Mutter.....	Nut.....			
24	1			1136-0904-01	Sprint.....	Pin.....			
25	2			1136-0309-01	Bricka.....	Washer.....			
26	1			9747-0831-02	Mutter.....	Lock nut.....			
27	1			1136-0862-01	Stång.....	Rod.....			
28	3			9699-0090-02	Planbricka.....	Flat washer.....			
29	1			1136-0895-01	Fjäder.....	Spring.....			
30	1			9799-0831-02	Mutter.....	Nut.....			
31	1			9747-0831-02	Mutter.....	Lock nut.....			
32	1			1136-0095-01	Låsnål.....	Hair pin.....			
33	1			1136-1022-01	Drivrem.....	Drive belt.....			
34	1			1136-0878-01	Remstyrning.....	Belt guide.....			
35	2			9847-8116-16	Skruv.....	Screw.....			
36	1			1136-0880-01	Remstyrning.....	Belt guide.....			
37	2			9739-0831-22	Mutter.....	Nut.....			
38	2			9747-0831-02	Mutter.....	Lock nut.....			
39	1			1136-0879-01	Remstyrning.....	Belt guide.....			
40	1			9739-0831-22	Mutter.....	Nut.....			
41	1			9747-0831-02	Mutter.....	Lock nut.....			
42	1			9699-0035-02	Planbricka.....	Flat washer.....			
43	1			9747-0631-02	Låsmutter.....	Lock nut.....			
44	2			1136-0864-01	Remkåpa.....	Belt cover.....			
45	4			9848-8013-16	Skruv.....	Screw.....			
71	1			1136-0537-01	Fäste.....	Support.....			
72	2			9997-0816-16	Skruv.....	Screw.....			
73	2			9739-0831-22	Mutter.....	Nut.....			
74	1			1136-0088-01	Bricka.....	Washer.....			
75	1			1136-0528-01	Spakhållare.....	Lever holder.....			
76	1			1136-0491-01	Inkopplingspak.....	Engagement lever.....			
77	1			1136-0213-01	Fjäder.....	Spring.....			
78	1			9997-0880-16	Skruv.....	Screw.....			
79	1			9747-0831-02	Mutter.....	Lock nut.....			
83	1			9699-0056-02	Planbricka.....	Flat washer.....			
84	1			9712-0831-02	Låsmutter.....	Lock nut.....			
85	1			1136-1075-01	Inkopplingswire.....	Cable.....			
86	1			9699-0056-02	Planbricka.....	Flat washer.....			
87	1			1136-0197-01	Handtag.....	Knob.....			
88	1			1136-0957-01	Fjäder.....	Spring.....			



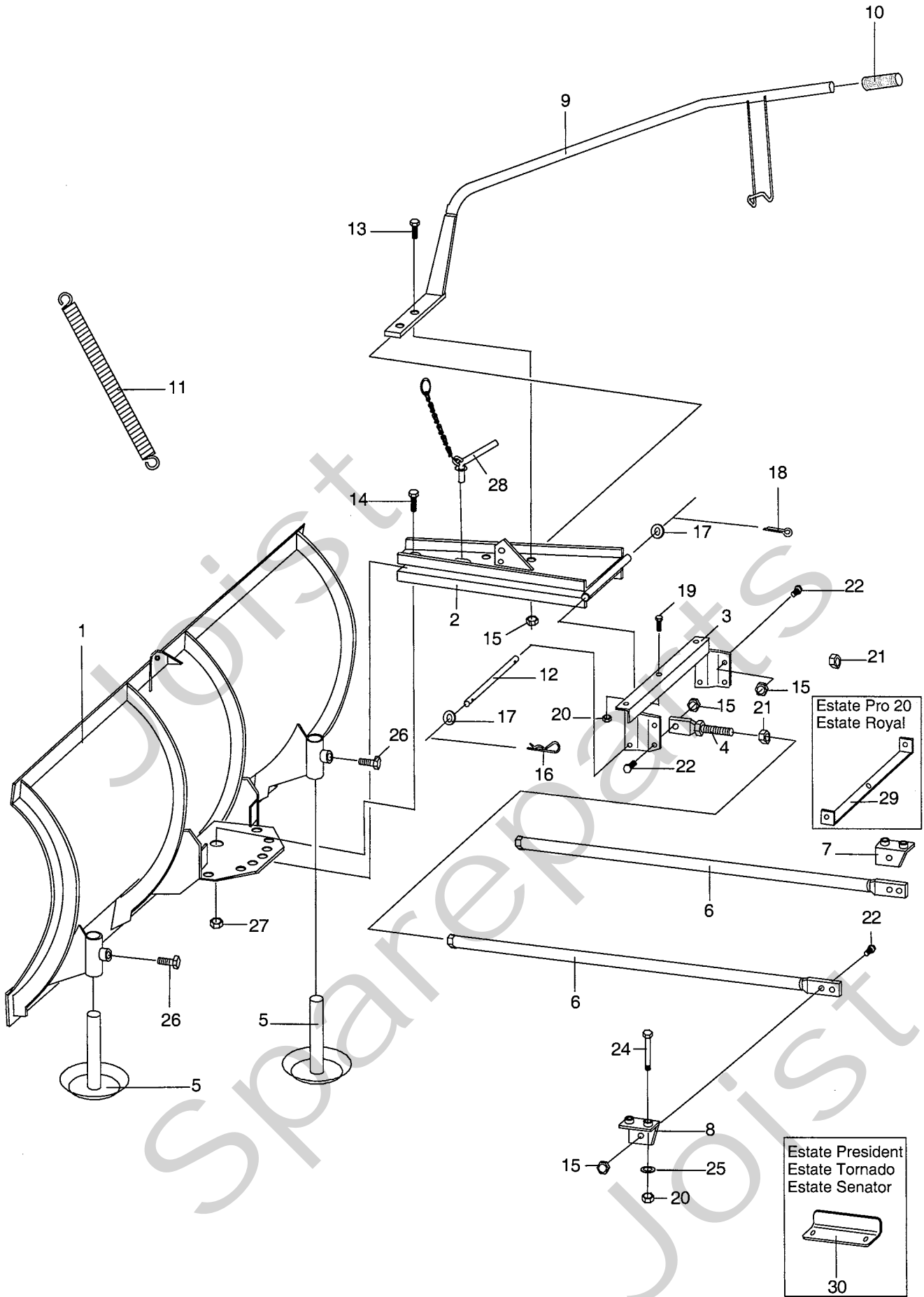
5
6 - 10



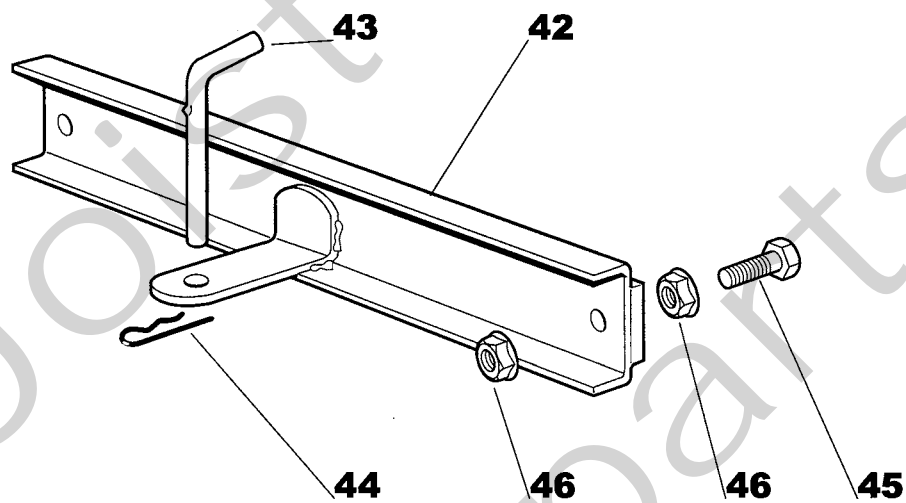
Utgåva Issue 2004-13		Bildnr Picture No 1449B		ESTATE TORNADO ESTATE TORNADO HST KLIPPAGGREGAT		ESTATE TORNADO ESTATE TORNADO HST MOWER DECK		Sida Page 118
Pos. Fig.	Antal/Quantity			Art nr Part No	Benämning	Description	Sats Kit	Anmärkning Notes
	2521 2522							
1	1			1136-1044-01	Klippaggregatskåpa	Mower deck casing		Inkl. pos 2 - 4
2	2			1136-0120-01	• Vattenslangnippel	• Water hose connection.....		
3	2			1136-0068-01	• O-ring	• O-ring		
4	2			1136-0012-01	• Nit	• Rivet		
5	2			1136-0481-01	Lagerbox kpl	Bearing box assy		Inkl. pos 6 - 10
6	2			1136-0099-01	• Knivaxel	• Blade shaft		
8	4			1136-0069-01	• Kullager	• Ball bearing		
9	2			1136-0176-01	• Dammskydd	• Dust cover		
10	2			9650-0020-04	• Spårning	• Circlip		
11	6			9898-0825-16	Skruv	Screw		
12	6			9739-0831-22	Mutter	Nut		
13	2			1136-0221-01	Knivfäste	Blade hub		
14	2			9600-0014-00	Kil	Key		
15	2			1136-1029-01	Kniv	Blade		
16	2			1136-0083-01	Fjäderbricka	Elastic washer		
17	2			1136-0015-01	Bricka	Washer		
18	2			9987-5238-12	Knivbult	Blade bolt		
19	2			1136-0916-01	Remskiva	Pulley		
20	2			1136-0001-01	Kil	Key		
21	2			9997-0820-16	Skruv	Screw		
22	2			1136-0307-01	Bricka	Washer		
23	2			9683-0030-02	Låsbricka	Lock washer		
31	2			1136-1052-01	Stödhjul	Anti scalp wheel		
32	2			1136-0901-01	Distans	Spacer		
33	2			9997-0880-16	Skruv	Screw		
34	2			9699-0056-02	Planbricka	Flat washer		
35	2			9739-0831-22	Mutter	Nut		
51	2			1136-0448-01	Stång	Equalizer rod		
52	4			9699-0035-02	Planbricka	Flat washer		
53	4			9747-1031-02	Låsmutter	Lock nut		
54	8			1136-0308-01	Bricka	Washer		
72	1			1136-1107-01	Deflektor	Deflector		
73	1			1136-0229-01	Sprint	Pin		
74	1			9598-0002-02	Låsnål	Pin lock		
81	1			1136-0910-01	Utkastskydd	Discharge protection		
82	1			1136-0902-01	Axel	Pivot		
83	1			1136-0894-01	Fjäder	Spring		
84	1			9599-0070-02	Saxsprint	Split pin		



Utgåva Issue		Bildnr Picture No		MULCHINGSATS ART.NR 13-0935-11		MULCHING KIT ART.NO 13-0935-11		Sida Page	
2004-13		1559						160	
Pos. Fig.	Antal/Quantity			Art nr Part No	Benämning	Description	Sats Kit	Anmärkning Notes	
	0935								
72	1			1136-1233-01	Deflektor	Deflector			
73	1			1136-1237-01	Handtagsrör.....	Handle tube.....			
74	1			1136-1242-01	Sprint.....	Pin			
75	1			1136-1239-01	Fjäder.....	Spring			
76	1			9836-9635-12	Skruv	Screw			
77	1			1136-0882-01	Handtag	Handgrip			
78	1			1136-0927-01	Elastiskt band	Elastic tie.....			
79	2			1136-0877-01	Krok.....	Hook			

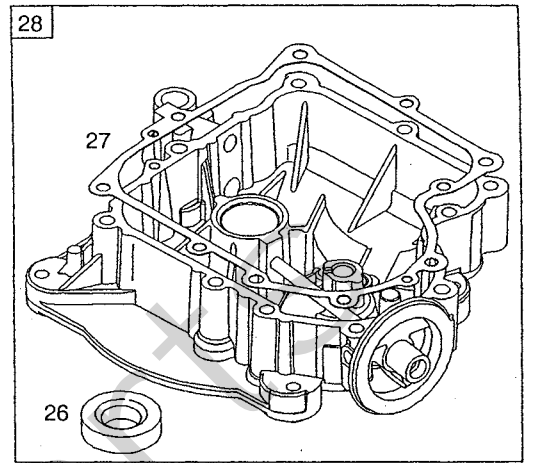
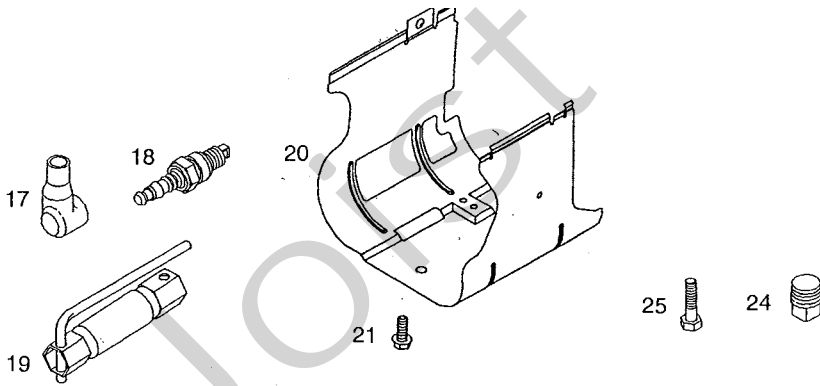
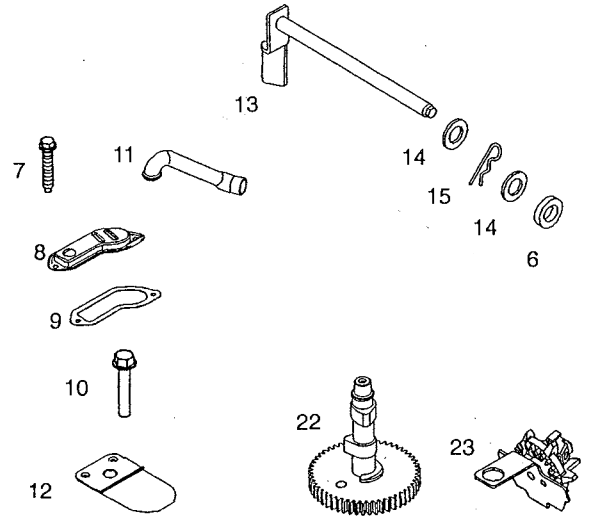
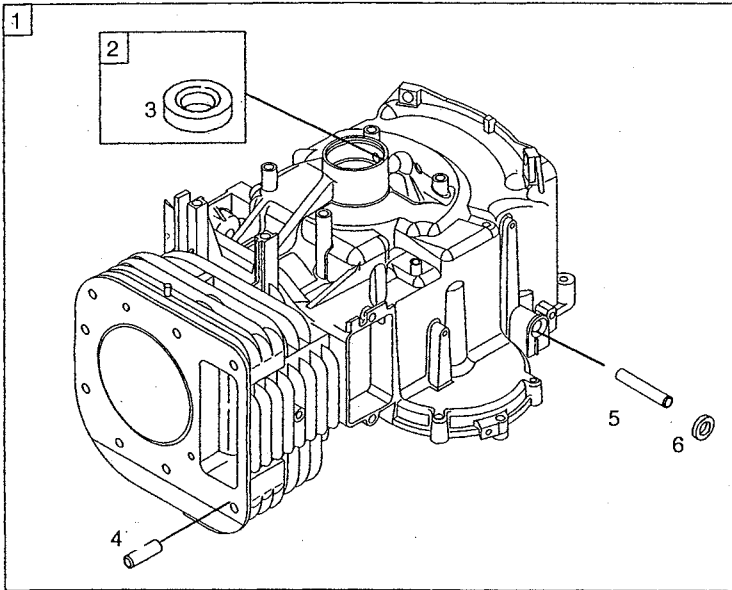


Utgåva Issue		Bildnr Picture No		SNÖBLAD (120 cm) ART.NR 13-0924-11	SNOW BLADE (120 cm) ART.NO 13-0924-11	Sida Page		
2004-13		1453				168		
Pos. Fig.	Antal/Quantity			Art nr Part No	Benämning	Description	Sats Kit	Anmärkning Notes
	0924							
1	1			1319-1528-01	Blad	Blade		
2	1			1319-1812-01	Bladfäste	Blade holder		
3	1			1319-1816-01	Ram	Frame		
4	2			1319-1817-01	Skruv	Screw		
5	2			1319-1526-01	Släpsko	Skid		
6	2			1319-1818-01	Stag	Rod		
7	1			1319-1819-01	Stagfäste	Rod bracket		
8	1			1319-1820-01	Stagfäste	Rod bracket		
9	1			1319-1815-01	Lyftarm	Lift rod		
10	1			1319-1822-01	Handtag	Grip		
11	1			1319-1527-01	Fjäder	Spring		
12	1			1319-1821-01	Axel	Shaft		
13	2			9997-1030-16	Skruv	Screw		
14	1			1319-1551-01	Skruv	Screw		
15	8			9747-1031-02	Låsmutter	Lock nut		
16	1			1319-1692-01	Låsnål	Spring pin		
17	2			9699-0037-02	Bricka	Washer		
18	1			1319-1811-01	Saxpinne	Cotter pin		
19	3			9997-0816-16	Skruv	Screw		
20	7			9747-0831-02	Mutter	Lock nut		
21	2			9747-1031-02	Låsmutter	Lock nut		
22	6			9997-1025-16	Skruv	Screw		
24	4			9997-0880-16	Skruv	Screw		
25	4			9699-0028-02	Planbricka	Flat washer		
26	2			9997-1220-16	Skruv	Screw		
27	1			9747-1631-02	Låsmutter	Lock nut		
28	1			1319-1531-01	Sprint	Pin		
29	1			1319-1813-01	Monteringsfäste	Mounting plate		
30	1			1319-1814-01	Monteringsfäste	Mounting plate		

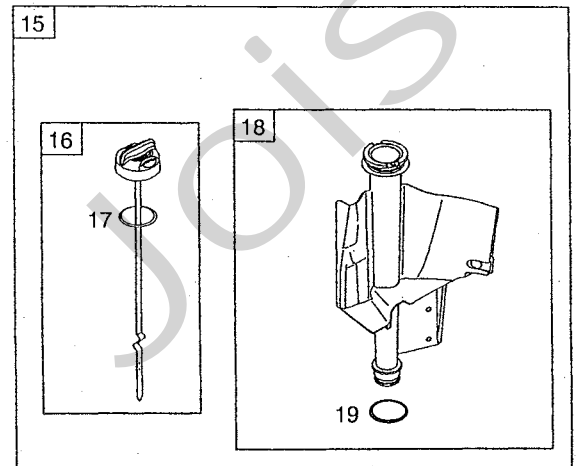
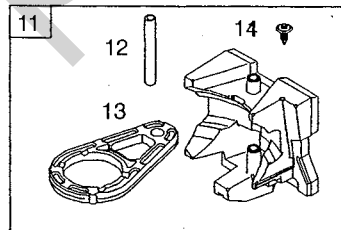
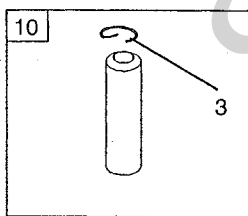
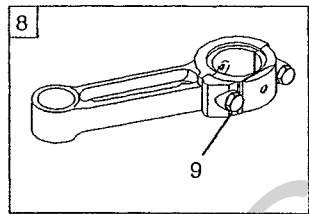
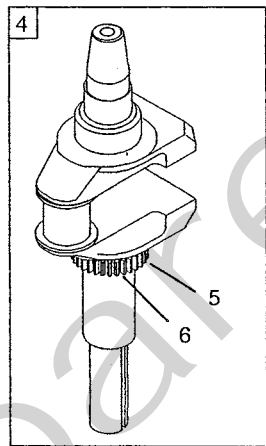
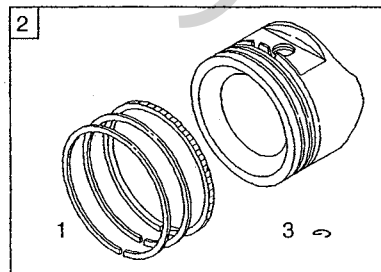


Utgåva Issue		Bildnr Picture No		DRAG ART.NR 13-0933-11		TOW BAR ART.NO 13-0933-11		Sida Page	
2004-13		1251						164	
Pos. Fig.	Antal/Quantity			Art nr Part No	Benämning	Description	Sats Kit	Anmärkning Notes	
	0933								
42	1			1136-0463-01	Balk	Girder			
43	1			1136-0228-01	Dragsprint	Tow pin			
44	1			1136-0096-01	Låsnål	Hair pin			
45	2			9997-0825-16	Skruv	Screw			
46	6			9739-0831-22	Mutter	Nut			

A

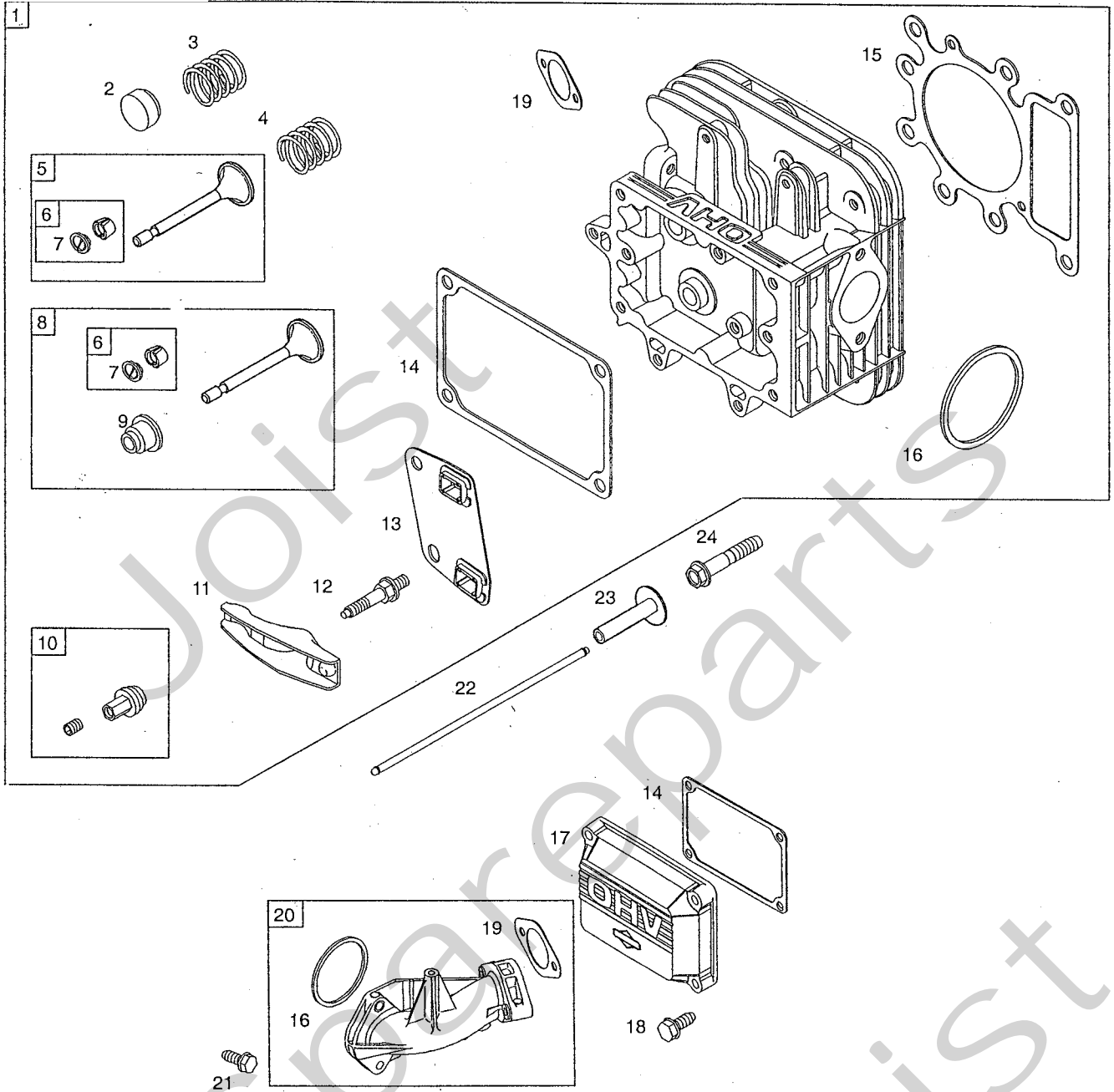


B



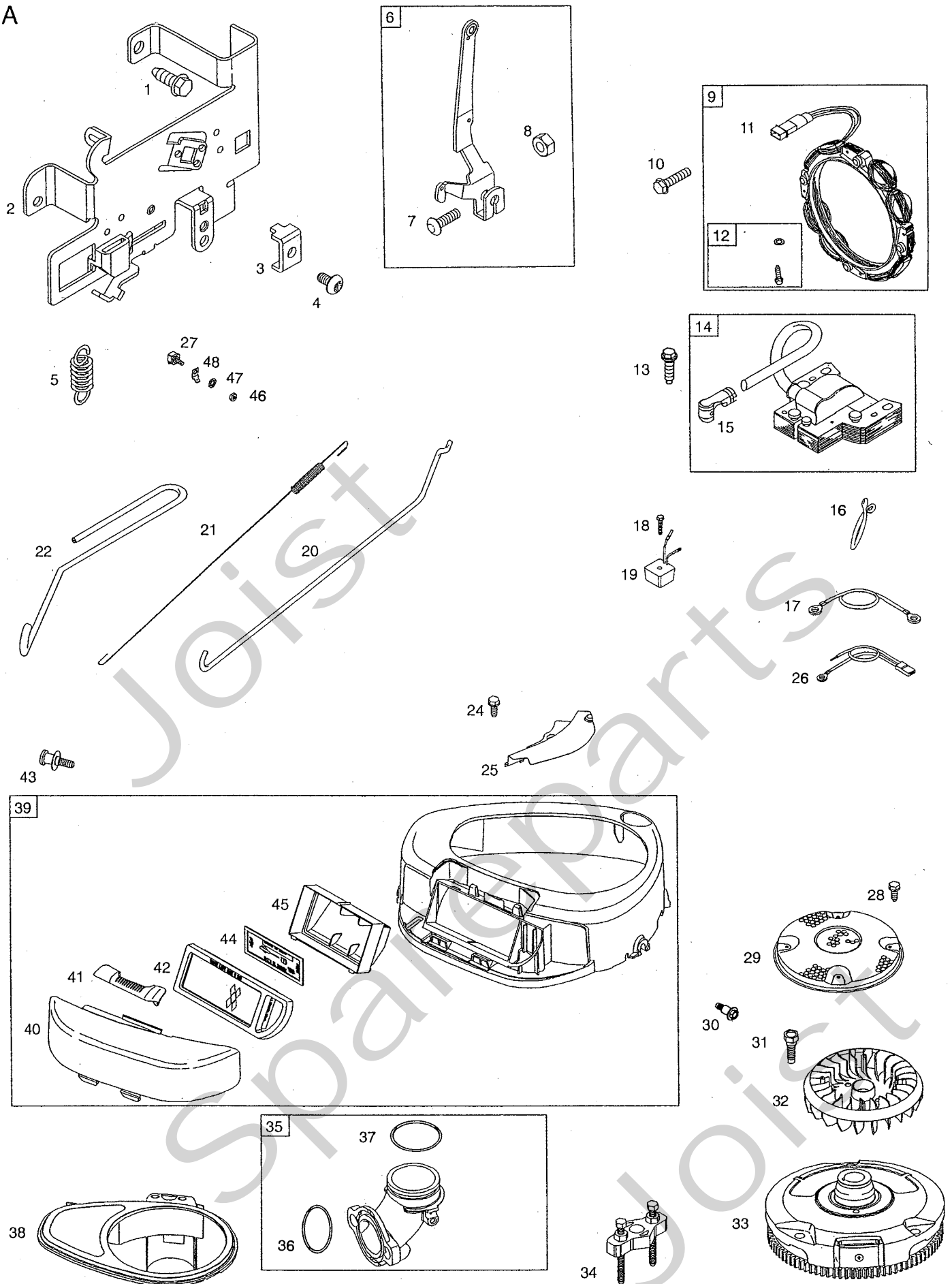
Utgåva Issue		Bildnr Picture No		BRIGGS & STRATTON 21A907 CYLINDER (A) VEVAXEL (B)		BRIGGS & STRATTON 21A907 CYLINDER (A) CRANKSHAFT (B)		Sida Page	
2004-13		1692						196	
Pos. Fig.	Antal/Quantity			Art nr Part No	Benämning	Description	Sats Kit	Anmärkning Notes	
	21A 907- 0146								
X	A01	1		697377	Cylinder kpl.....	Cylinder assy.....			
	A02	1		399265	• Bussning.....	• Bushing.....			
	A03	1		391086	•• Tätningssring.....	•• Seal.....			
	A04	2		690959	• Tapp.....	• Locating pin.....			
	A05	1		697144	• Bussning.....	• Bushing.....			
	A06	1		692407	• Tätning.....	• Seal.....			
	A07	2		697157	Skruv.....	Screw.....			
	A08	1		697112	Lock.....	Cover.....			
	A09	1		697109	Packning.....	Gasket.....			
	A10	1		697104	Skruv.....	Screw.....			
	A11	1		697113	Ventilationsrör.....	Breather tube.....			
	A12	1		697124	Ventil.....	Breather reed.....			
	A13	1		692012	Regulatoraxel.....	Governor crank.....			
	A14	2		691691	Bricka.....	Washer.....			
	A15	1		691620	Låsnål.....	Cotter pin.....			
	A17	1		691909	Tändstiftshylsa.....	Spark plug boot.....			
	A18	1		9400-0244-00	Tändstift.....	Spark plug.....			
	A19	1		89838	Tändstiftsnyckel.....	Spark plug wrench.....			
X	A20	1		697359	Cylinderskydd.....	Cylinder shield.....			
	A21	1		691003	Skruv.....	Screw.....			
X	A22	1		699016	Kamaxel.....	Camshaft.....			
	A23	1		691968	Oljekastardrev.....	Oil slinger.....			
	A24	1		690946	Avtappningsplugg.....	Oil drain plug.....			
	A25	10		692125	Skruv.....	Screw.....			
	A26	1		690947	• Tätningssring.....	• Oil seal.....			
	A27	1		697110	• Packning.....	• Gasket.....			
	A28	1		697106	Oljesump.....	Engine sump.....			
X	B01	1		698375	• Kolringssats.....	• Ring set.....		Standard	
X	B01	1		698377	• Kolringssats.....	• Ring set.....		.020" oversize	
	B02	1		698371	Kolv kpl.....	Piston assy.....		Standard	
X	B02	1		698373	Kolv kpl.....	Piston assy.....		.020" oversize	
	B03	2		698469	• Låsring.....	• Lock.....			
X	B04	1		697390	Vevaxel.....	Crankshaft.....			
	B05	1		697128	• Drev.....	• Timing gear.....			
	B06	1		691639	• Kil.....	• Timing key.....			
	B07	1		222698	Kil.....	Key.....			
X	B08	1		697364	Vevstake.....	Connecting rod.....			
	B09	2		692852	• Skruv.....	• Screw.....			
	B10	1		697099	Kolvbult.....	Piston pin.....			
X	B11	1		697391	Motvikt.....	Counterweight.....			
	B12	1		697392	• Axel.....	• Pin.....			
	B13	1		697607	• Länk.....	• Link.....			
	B14	2		697156	• Plugg.....	• Plug.....			
	B15	1		697611	Oljesticka kpl.....	Oil dipstick assy.....			
	B16	1		697086	• Oljesticka.....	• Oil dipstick.....			
	B17	1		691031	•• O-ring.....	•• O-ring.....			
	B18	1		697184	• Oljerör.....	• Dipstick tube.....			
	B19	1		691032	•• Tätning.....	•• Tube seal.....			
X	B20	1		698139	Skruv.....	Screw.....			

A



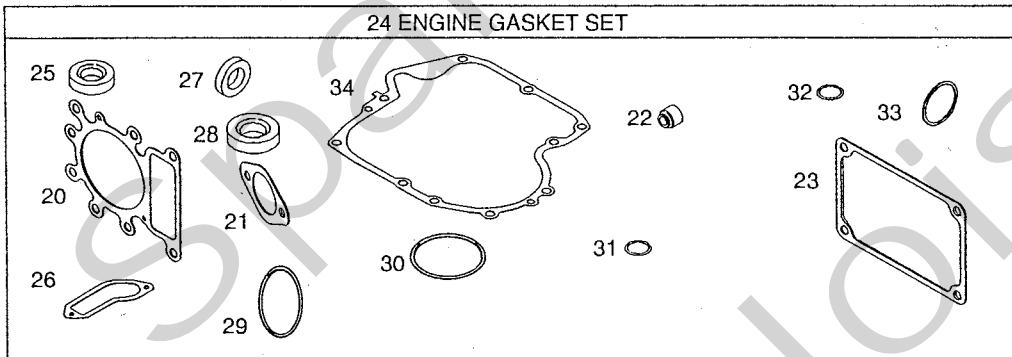
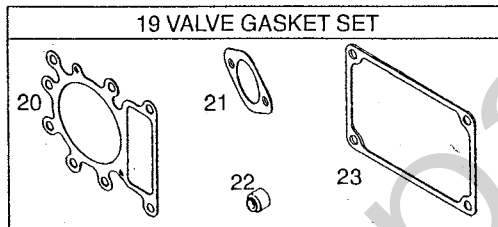
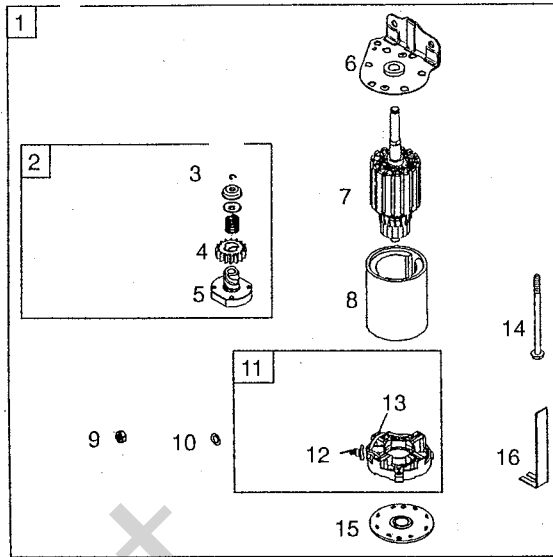
Utgåva Issue		Bildnr Picture No		BRIGGS & STRATTON 21A907 TOPPLOCK (A)		BRIGGS & STRATTON 21A907 CYLINDER HEAD (A)		Sida Page	
2004-13		1682						198	
Pos. Fig.	Antal/Quantity			Art nr Part No	Benämning	Description	Sats Kit	Anmärkning Notes	
	21A 907- 0146								
X	A01	1		697396	Topplock	Cylinder head			
	A02	1		691843	• Ventilhuv	• Valve cap			
	A03	1		691279	• Ventilfjäder	• Valve spring			
	A04	1		691279	• Ventilfjäder	• Valve spring			
	A05	1		495856	• Ventil- utblås	• Valve-exhaust			
	A06	2		499586	• Ventilhållare	• Valve keeper			
	A07	2		690964	• Ventilhållare	• Valve retainer			
	A08	1		495857	• Ventil- insug	• Valve-intake			
	A09	1		690968	• Ventiltätning	• Valve seal			
	A10	2		691986	• Vipparmsjustering	• Rocker arm adjuster			
	A11	2		691751	• Vipparm	• Rocker arm			
	A12	2		691095	• Pinnbult	• Stud			
	A13	1		690822	• Stötstångsstyrning	• Push rod guide			
	A14	1		272475	• Packning	• Gasket			
	A15	1		273280	• Topplockspackning	• Cylinder head gasket			
	A16	1		692138	• O- ring	• O- ring			
	A17	1		692492	Ventilkåpa	Rocker cover			
	A18	4		691108	Skruv	Screw			
	A19	1		692137	• Packning	• Gasket			
X	A20	1		697361	Insugningsrör	Intake manifold			
	A21	2		691148	Skruv	Screw			
X	A22	1		697394	Stötstång (insug)	Push rod (intake)			
X	A22	1		697395	Stötstång (utblås)	Push rod (exhaust)			
	A23	2		690564	Ventillyftare	Valve tappet			
	A24	8		690360	Skruv	Screw			

A

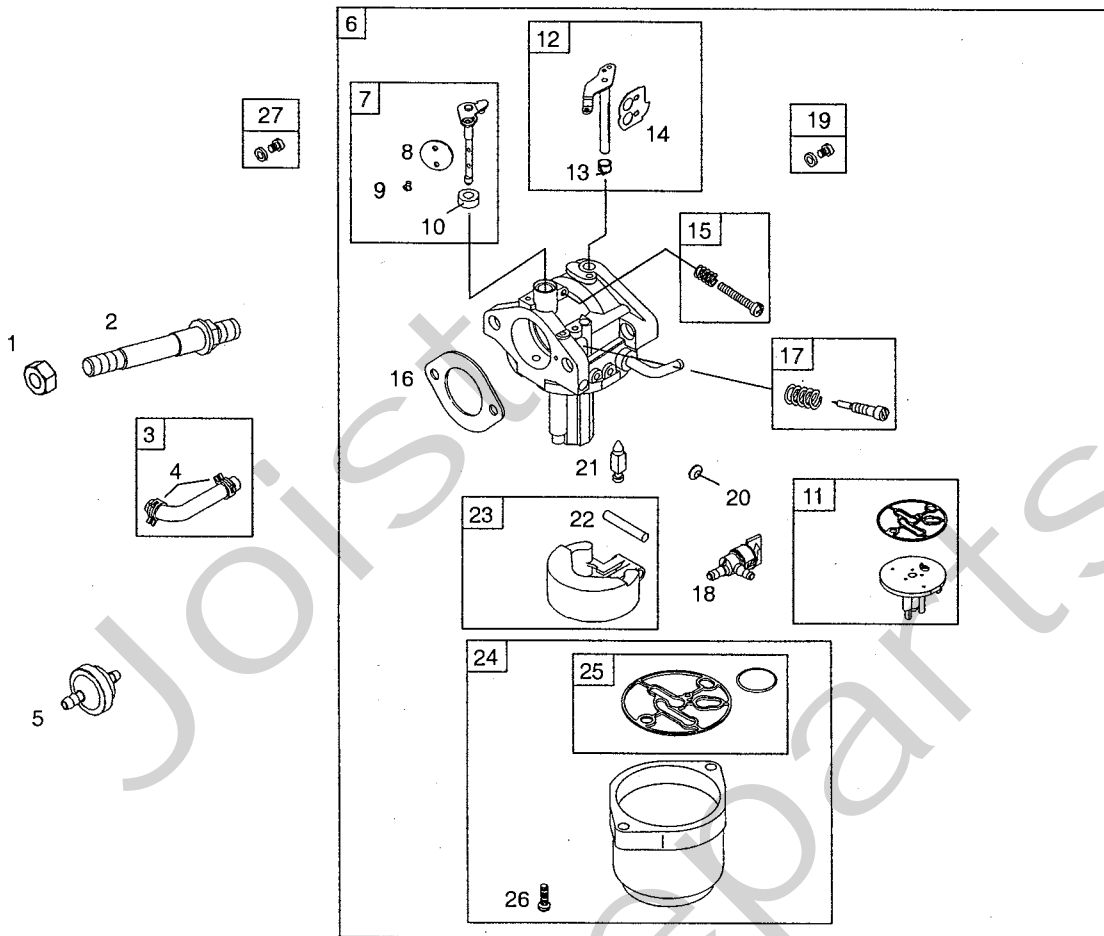


Utgåva Issue		Bildnr Picture No		BRIGGS & STRATTON 21A907 REGULATOR (A) FLÄKTHUS (A)		BRIGGS & STRATTON 21A907 GOVERNOR (A) BLOWER HOUSING (A)		Sida Page	
2004-13		1693						200	
Pos. Fig.	Antal/Quantity			Art nr Part No	Benämning	Description	Sats Kit	Anmärkning Notes	
	21A 907- 0146								
A01	2			691693	Skruv	Screw			
A02	1			694042	Reglageplåt	Control bracket			
A03	1			691024	Klämma	Clamp			
A04	1			690804	Skruv	Screw			
A05	1			692208	Fjäder	Spring			
A06	1			691374	Regulatorarm	Governor lever			
A07	1			691119	• Bult	• Bolt			
A08	1			691251	• Mutter	• Nut			
A09	1			696457	Generator	Alternator			
A10	4			691183	Skruv	Screw			
A11	1			393537	• Anslutning	• Connector			
A12	1			698516	• Skruv/bricka	• Screw/washer kit			
A13	2			691061	Skruv	Screw			
A14	1			492341	Tändsystem	Armature magneto			
A15	1			493880	• Anslutningshylsa	• Terminal			
A16	1			694123	Kabelklämma	Wire clip			
A17	1			697089	Kabel	Stop wire			
A18	1			697088	Skruv	Screw			
A19	1			691188	Regulator	Regulator			
A20	1			691841	Regulatorlänk	Governor link			
A21	1			691842	Fjäder	Spring			
A22	1			691840	Chokelänk	Choke link			
A24	2			691003	Skruv	Screw			
A25	1			697352	Skydd	Guard			
A26	1			398808	Kortslutningskabel	Ground wire			
A27	1			691972	Isolator	Insulator			
A28	4			697897	Skruv	Screw			
A29	1			697133	Roterande skydd	Rotating screen			
A30	2			697102	Skruv	Screw			
A31	2			690372	Skruv	Screw			
X A32	1			699044	Fläkt	Fan			
X A33	1			698282	Svänghjul	Flywheel			
A34	1			19203	Avdragare	Puller			
A35	1			697122	Insugningsrör	Intake elbow			
A36	1			691917	• O-ring	• O-ring			
A37	1			697123	• O-ring	• O-ring			
A38	1			698368	Platta	Trim plate			
X A39	1			697870	Fläkthus	Blower housing			
X A40	1			697420	• Lock	• Cover			
X A41	1			697419	• Spärr	• Latch			
X A42	1			698413	• Luftfilter	• Air cleaner filter			
A43	1			697103	Skruv	Screw			
X A44	1			697292	• Förfilter	• Precleaner filter			
X A45	1			697155	• Hållare	• Retainer			
A46	1			691612	Mutter	Nut			
A47	1			691077	Bricka	Washer			
A48	1			691084	Anslutningsbleck	Ground terminal			

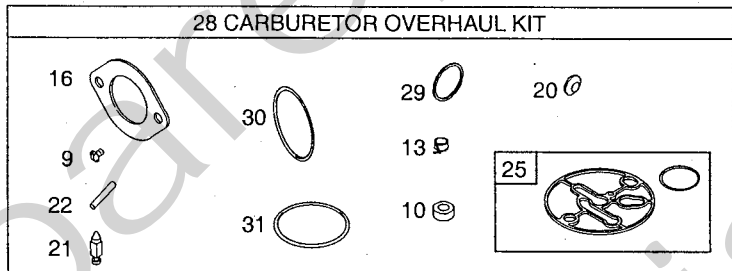
A



Utgåva Issue		Bildnr Picture No		BRIGGS & STRATTON 21A907 STARTMOTOR (A) PACKNINGSSATS (A)		BRIGGS & STRATTON 21A907 STARTER MOTOR (A) GASKET SET (A)		Sida Page 202	
Pos. Fig.	Antal/Quantity			Art nr Part No	Benämning	Description	Sats Kit	Anmärkning Notes	
	21A 907- 0146								
A01	1			693551	Startmotor kpl	Starter motor assy			
A02	1			693699	• Startdrev	• Starter drive			
A03	1			691265	•• Låsring	•• Retaining ring			
A04	1			693713	•• Drev	•• Pinion gear			
A05	1			692024	•• Koppling	•• Drive clutch			
A06	1			691283	• Lock	• Drive cap			
A07	1			692034	• Rotor	• Armature			
A08	1			693757	• Startmotorhus	• Starter housing			
A09	1			691029	• Mutter	• Nut			
A10	1			691261	• Bricka	• Washer			
A11	1			691293	• Borsthållare	• Brush retainer			
A12	1			693167	•• Mutter	•• Nut			
A13	1			497608	•• Släpksats	•• Brush set			
A14	2			690323	• Bult	• Bolt			
A15	1			691286	• Botten	• End cap			
A16	1			691532	• Stag	• Strap			
A17	1			691224	Kabelklämma	Wire clip			
A18	1			690372	Skruv	Screw			
A19	1			691581	Packningssats-ventil	Gasket set-valve			
A20	1			273280	• Topplöckspackning	• Cylinder head gasket			
A21	1			692137	• Packning	• Gasket			
A22	1			690968	• Ventilätning	• Valve seal			
A23	1			272475	• Packning	• Gasket			
A24	1			697151	Packningssats-motor	Gasket set-engine			
A25	1			391086	• Tätning	• Seal			
A26	1			697109	• Packning	• Gasket			
A27	1			692407	• Tätning	• Seal			
A28	1			690947	• Tätning	• Oil seal			
A29	1			691917	• O-ring	• O-ring			
A30	1			697123	• O-ring	• O-ring			
A31	1			691032	• Tätning	• Tube seal			
A32	1			691031	• O-ring	• O-ring			
A33	1			692138	• O-ring	• O-ring			
A34	1			697110	• Packning	• Gasket			



28 CARBURETOR OVERHAUL KIT



Utgåva Issue		Bildnr Picture No		BRIGGS & STRATTON 21A907 FÖRGASARE (A) PACKNINGSSATS (A)		BRIGGS & STRATTON 21A907 CARBURETTOR (A) GASKET SET (A)		Sida Page	
2004-13		1694						204	
Pos. Fig.	Antal/Quantity			Art nr Part No	Benämning	Description	Sats Kit	Anmärkning Notes	
	21A 907- 0146								
	A01	2		690958	Mutter.....	Nut.....			
	A02	2		690227	Pinnbult.....	Stud.....			
	A03	1		697098	Bränsleslang.....	Fuel line.....			
	A04	2		95162	• Slangklämma.....	• Hose clamp.....			
	A05	1		394358	Bränslefilter.....	Fuel filter.....			
X	A06	1		699896	Förgasare kpl.....	Carburettor Assy.....			
X	A07	1		698776	• Spjällaxel.....	• Throttle shaft.....			
X	A08	1		698774	•• Gasspjäll.....	•• Throttle valve.....			
	A09	2		690718	•• Skruv.....	•• Screw.....			
X	A10	1		698777	•• Tätning.....	•• Seal.....			
X	A11	1		698780	• Rör.....	• Transfer tube.....			
X	A12	1		698778	• Chokeaxel.....	• Choke shaft.....			
X	A13	1		698779	•• Fjäder/tätning.....	•• Spring/seal.....			
X	A14	1		698773	•• Chokespjäll.....	•• Choke valve.....			
	A15	1		695408	• Tomgångsskruv.....	• Idle speed kit.....			
	A16	1		692137	• Packning.....	• Gasket.....			
	A17	1		695425	• Justerskruv.....	• Idle mixture kit.....			
X	A18	1		698183	• Bränslekran.....	• Fuel shut-off valve.....			
X	A19	1		699897	• Huvudmunstycke.....	• Main jet.....		Standard	
	A20	1		690727	• Expansionsplugg.....	• Welch plug.....			
	A21	1		696136	• Nålventil.....	• Needle valve.....			
	A22	1		694918	•• Flottöraxel.....	•• Float hinge pin.....			
X	A23	1		694914	• Flottör.....	• Float.....			
X	A24	1		698783	• Flottörhus.....	• Float bowl.....			
X	A25	1		698781	•• Packning.....	•• Gasket.....			
	A26	2		695407	•• Skruv.....	•• Screw.....			
X	A27	1		699898	Huvudmunstycke.....	Main jet.....		High altitude	
X	A28	1		698787	Rep.sats- förgasare.....	Overhaul kit- carbur.....			
	A29	1		692138	• O-ring.....	• O-ring.....			
	A30	1		691917	• O-ring.....	• O-ring.....			
	A31	1		697123	• O-ring.....	• O-ring.....			