

# Genuine Spare Parts

www.stiga.com

## ESTATE GRAND TORNADO

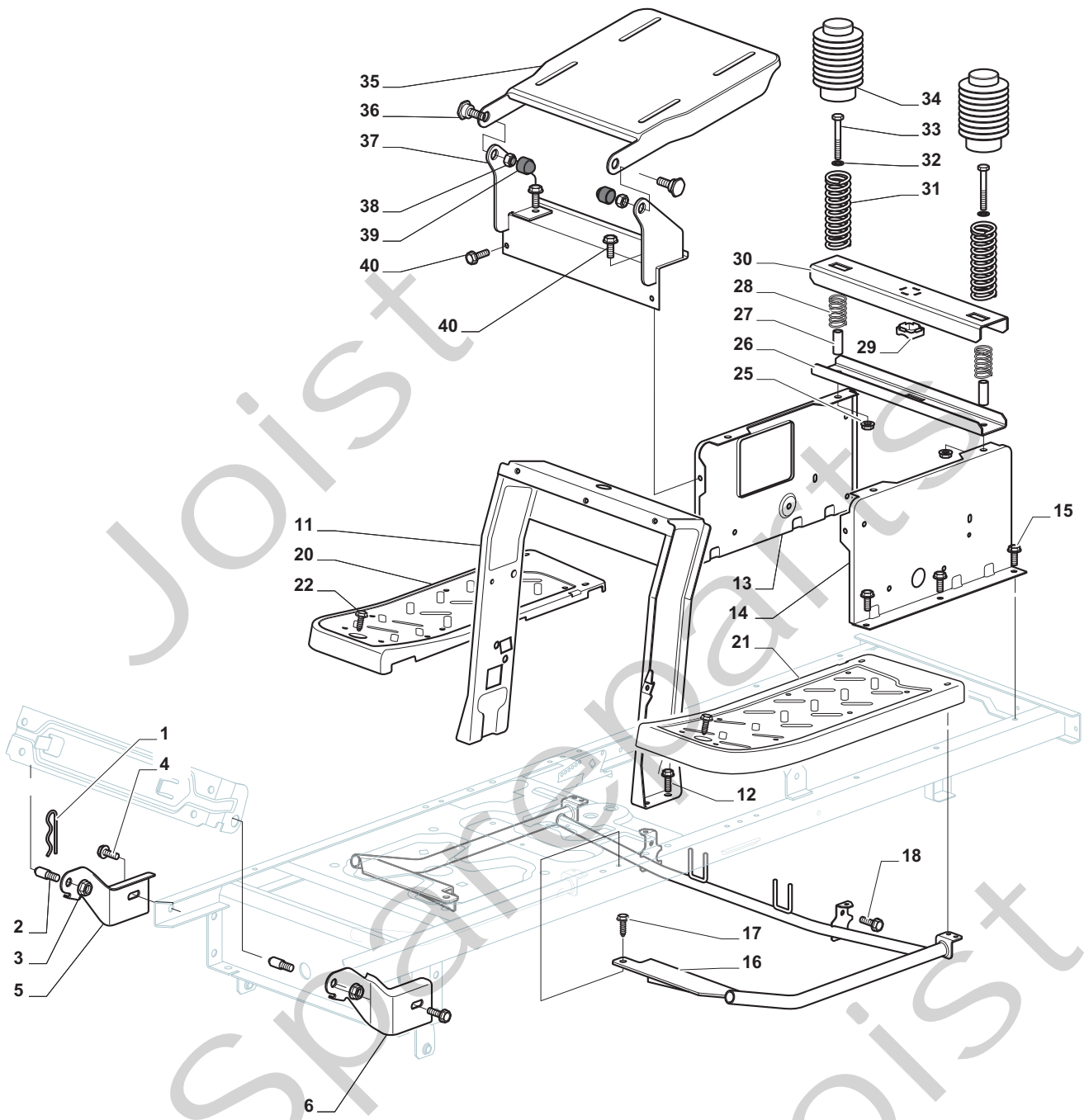
- Use GLOBAL GARDEN PRODUCT Genuine Spare Parts specified in the parts list for repair and/or replacement.
- The contents described in the parts list may change due to improvement.
- The drawings of the spare parts are only indicative and might not represent the part in question exactly.
- The indications "right" - "left" - "front" - "rear" refer to the position of the operator when using the machine.
- When placing orders of parts for repair and/or replacement, make sure that the illustrated parts list is the one applying to the machine's year of manufacture, as shown on the identification plate attached to the machine.

© Copyright 2012 Global Garden Products

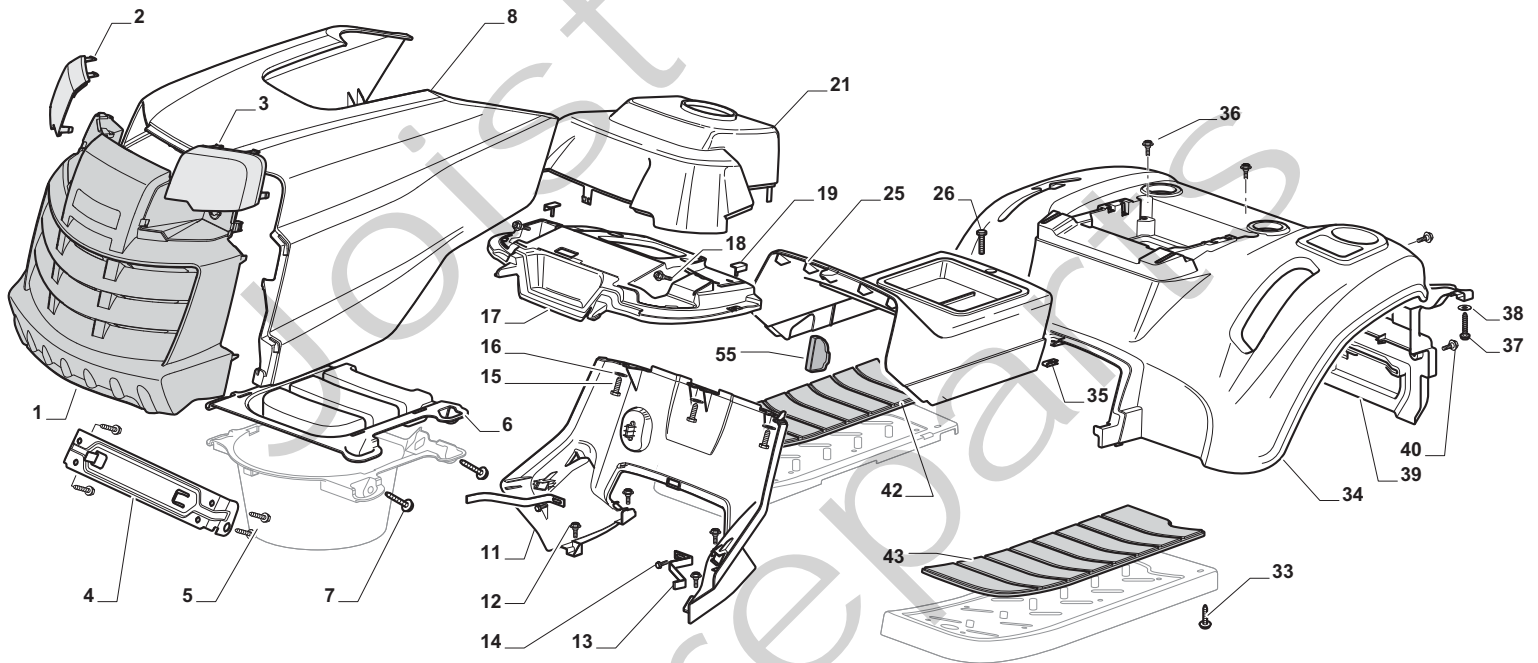
All content is subject to copyright by Global Garden Products and may not be reproduced in whole or in part by any means, electronic or otherwise, without prior written approval.

THIS INFORMATION IS NOT INTENDED FOR SALE OR RESALE, AND THIS NOTICE MUST REMAIN ON ALL COPIES.

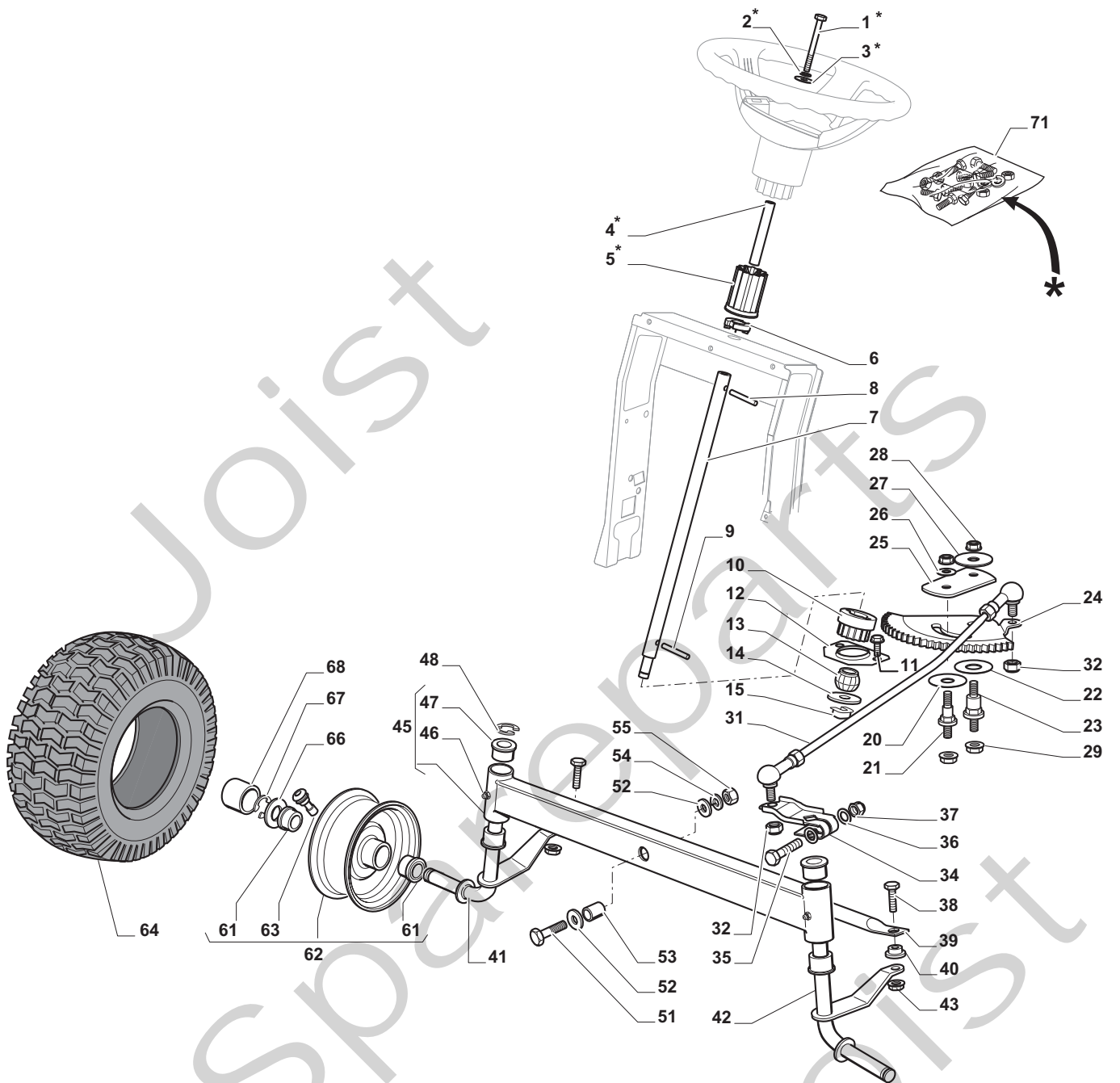
**STIGA**®



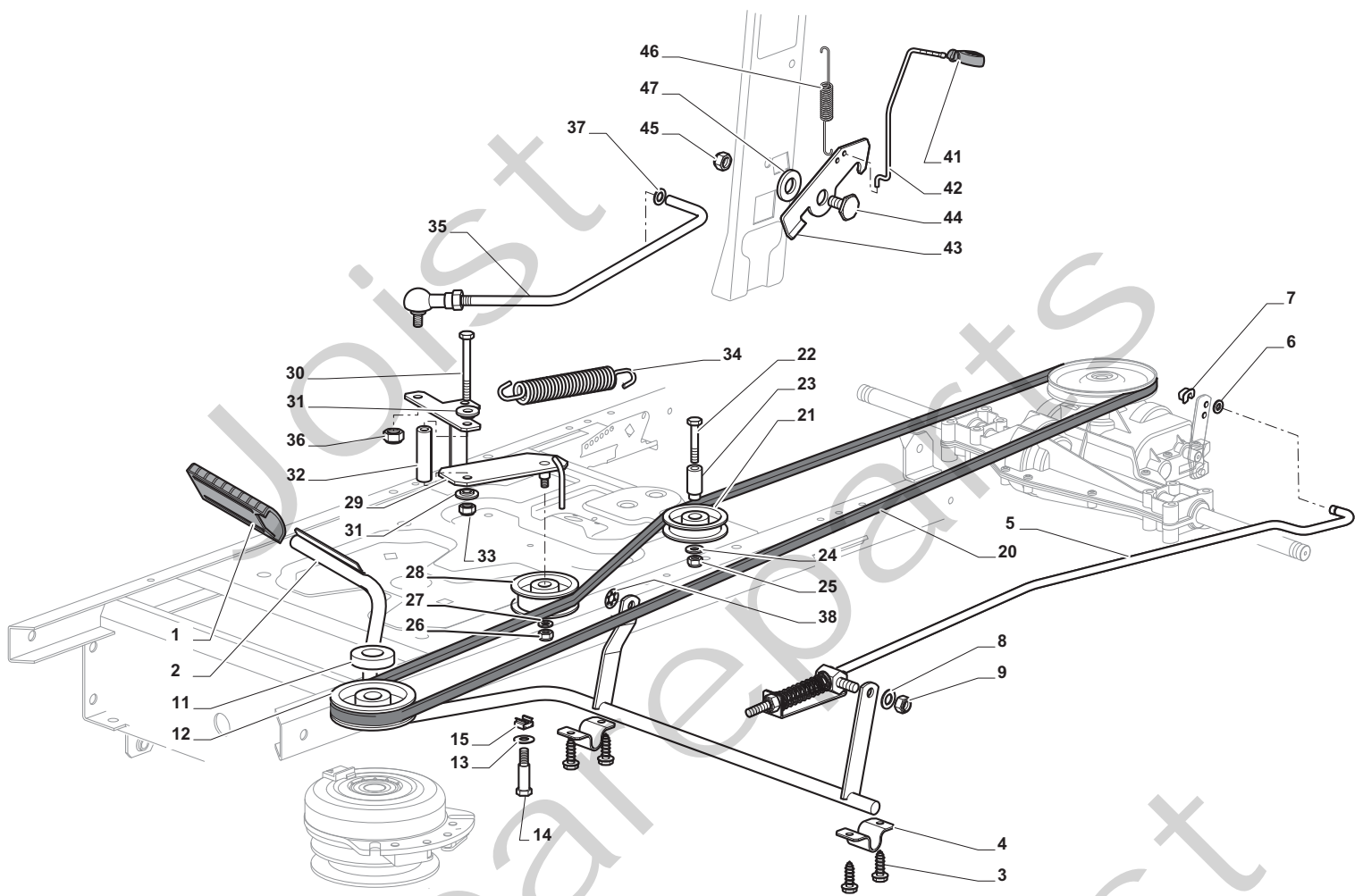
| Chassis  |             |      |                         |       |
|----------|-------------|------|-------------------------|-------|
| POSITION | CODE        | Q.TY | DESCRIPTION             | NOTES |
| 1        | 24487998/0  | 1    | Cotter Pin              |       |
| 2        | 25510079/0  | 2    | Pin                     |       |
| 3        | 12154210/0  | 2    | Nut                     |       |
| 4        | 12735599/0  | 2    | Screw                   |       |
| 5        | 325547225/0 | 1    | Right Plate             |       |
| 6        | 325547227/0 | 1    | Left Plate              |       |
| 11       | 382785169/1 | 1    | Steering Column Support |       |
| 12       | 125943009/0 | 4    | Screw                   |       |
| 13       | 325785331/1 | 1    | Right Seat Support      |       |
| 14       | 325785333/1 | 1    | Left Seat Support       |       |
| 15       | 125943009/0 | 6    | Screw                   |       |
| 16       | 382785179/0 | 1    | Footboard Support       |       |
| 17       | 125943009/0 | 2    | Screw                   |       |
| 18       | 125943009/0 | 2    | Screw                   |       |
| 20       | 325500041/1 | 1    | Right Footboard         |       |
| 21       | 325500043/1 | 1    | Left Footboard          |       |
| 22       | 12735599/0  | 2    | Screw                   |       |
| 25       | 12293201/0  | 2    | Nut                     |       |
| 26       | 325820109/1 | 1    | Seat Support            |       |
| 27       | 125160048/0 | 2    | Spacer                  |       |
| 28       | 125430263/0 | 2    | Spring                  |       |
| 29       | 325060038/0 | 1    | Cam                     |       |
| 30       | 325820105/1 | 1    | Support                 |       |
| 31       | 125430264/0 | 2    | Spring                  |       |
| 32       | 12521350/0  | 2    | Washer                  |       |
| 33       | 12691400/0  | 2    | Screw                   |       |
| 34       | 325122002/0 | 2    | Hood                    |       |
| 35       | 382547061/0 | 1    | Plate                   |       |
| 36       | 22524970/2  | 2    | Pin                     |       |
| 37       | 382820151/0 | 1    | Seat Support            |       |
| 38       | 12155010/0  | 2    | Nut                     |       |
| 39       | 118203854/0 | 2    | Protection              |       |
| 40       | 125943009/0 | 4    | Screw                   |       |



| Body     |             |      |                      |       |
|----------|-------------|------|----------------------|-------|
| POSITION | CODE        | Q.TY | DESCRIPTION          | NOTES |
| 1        | 325076914/0 | 1    | Hood, Front,Grey     |       |
| 2        | 325410903/0 | 1    | Right Grill          |       |
| 3        | 325410904/0 | 1    | Left Grill           |       |
| 4        | 325785365/0 | 1    | Engine Hood Support  |       |
| 5        | 12735403/0  | 4    | Screw                |       |
| 6        | 325263302/1 | 1    | Air Intake Grill     |       |
| 7        | 112728692/0 | 4    | Screw                |       |
| 8        | 325076912/0 | 1    | Engine Hood Yellow   |       |
| 11       | 325785298/0 | 1    | Dashboard Support    |       |
| 12       | 125943010/0 | 4    | Screw                |       |
| 13       | 325270325/0 | 2    | Guide                |       |
| 14       | 12735599/0  | 2    | Screw                |       |
| 15       | 112735406/0 | 3    | Screw                |       |
| 16       | 12523040/0  | 3    | Washer               |       |
| 17       | 325120202/1 | 1    | Dashboard            |       |
| 18       | 125943010/0 | 2    | Screw                |       |
| 19       | 325260003/0 | 2    | Grommet              |       |
| 21       | 325120203/0 | 1    | Cover                |       |
| 25       | 325110396/1 | 1    | Cover, Yellow        |       |
| 26       | 125943010/0 | 1    | Screw                |       |
| 33       | 112735406/0 | 4    | Screw                |       |
| 34       | 325110399/0 | 1    | Wheels Cover, Yellow |       |
| 35       | 112437506/0 | 1    | Plate                |       |
| 36       | 125943010/0 | 2    | Screw                |       |
| 37       | 112735406/0 | 2    | Screw                |       |
| 38       | 12523040/0  | 2    | Washer               |       |
| 39       | 325547208/1 | 1    | Plate                |       |
| 40       | 125943010/0 | 2    | Screw                |       |
| 42       | 325110384/0 | 1    | Right Footboardcover |       |
| 43       | 325110385/0 | 1    | Left Footboard Cover |       |
| 55       | 325207191/0 | 1    | Plate                |       |



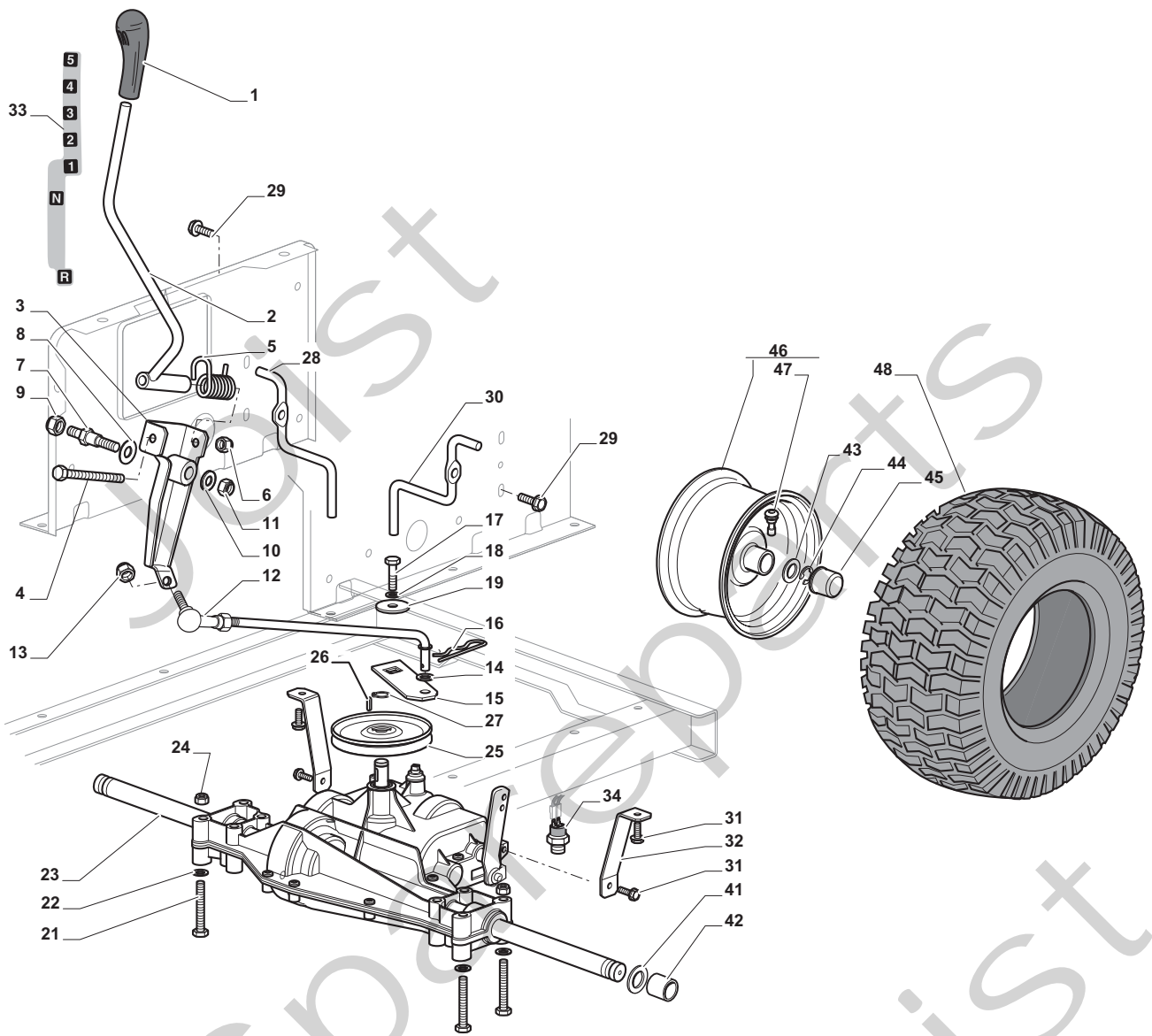
| Steering |             |      |                                    |       |
|----------|-------------|------|------------------------------------|-------|
| POSITION | CODE        | Q.TY | DESCRIPTION                        | NOTES |
| 1        | 12692050/0  | 1    | Screw                              |       |
| 2        | 12540260/0  | 1    | Washer                             |       |
| 3        | 12523070/0  | 1    | Washer                             |       |
| 4        | 125160047/0 | 1    | Spacer                             |       |
| 5        | 325785318/0 | 1    | Support                            |       |
| 6        | 325038008/0 | 1    | Bush                               |       |
| 7        | 125520007/0 | 1    | Steering Column                    |       |
| 8        | 112620300/0 | 1    | Pin                                |       |
| 9        | 12622650/0  | 1    | Pin                                |       |
| 10       | 125570003/0 | 1    | Pinion                             |       |
| 11       | 27943051/0  | 2    | Screw                              |       |
| 12       | 325785213/1 | 1    | Support                            |       |
| 13       | 25743000/0  | 1    | Joint                              |       |
| 14       | 12521370/0  | 1    | Washer                             |       |
| 15       | 12436030/0  | 1    | Plate                              |       |
| 20       | 22672151/0  | 1    | Washer                             |       |
| 21       | 125510104/0 | 1    | Pin                                |       |
| 22       | 125670023/0 | 1    | Washer                             |       |
| 23       | 125510109/0 | 1    | Pin                                |       |
| 24       | 325735519/0 | 1    | Steering Shaft                     |       |
| 25       | 325547233/0 | 1    | Plate                              |       |
| 26       | 12369500/0  | 1    | Elastic Washer                     |       |
| 27       | 22160400/0  | 1    | Elastic Washer                     |       |
| 28       | 12155010/0  | 2    | Nut                                |       |
| 29       | 12154210/0  | 2    | Nut                                |       |
| 31       | 382000566/1 | 1    | Steering Rod                       |       |
| 32       | 12156602/0  | 2    | Nut                                |       |
| 34       | 325318243/0 | 1    | Lever                              |       |
| 35       | 12692390/0  | 1    | Screw                              |       |
| 36       | 12521360/0  | 2    | Washer                             |       |
| 37       | 12156602/0  | 1    | Nut                                |       |
| 38       | 125510103/0 | 2    | Pin                                |       |
| 39       | 325840029/0 | 1    | Tie Rod                            |       |
| 40       | 325038007/0 | 2    | Bush                               |       |
| 41       | 382230369/0 | 1    | Right Stub Axle 13 "               |       |
| 41       | 382230373/0 | 1    | Right Stub Axle 15"                |       |
| 42       | 382230371/0 | 1    | Left Stub Axle 13 "                |       |
| 42       | 382230375/0 | 1    | Left Stub Axle 15"                 |       |
| 43       | 12155000/0  | 2    | Nut                                |       |
| 45       | 382034030/0 | 1    | Equalizer With Bush And Lubricator |       |
| 46       | 12379511/0  | 2    | Grease Dispenser                   |       |
| 47       | 25034002/1  | 4    | Bush                               |       |
| 48       | 12001010/0  | 1    | Snap Ring                          |       |
| 51       | 12692695/0  | 1    | Screw                              |       |
| 52       | 12523100/0  | 2    | Washer                             |       |
| 53       | 25160016/0  | 1    | Spacer                             |       |
| 54       | 12587100/0  | 1    | Grower                             |       |
| 55       | 12295300/0  | 1    | Nut                                |       |
| 61       | 25122200/2  | 4    | Bearing                            |       |
| 62       | 182000598/0 | 2    | Rimm                               |       |
| 63       | 25950000/0  | 2    | Valve                              |       |
| 64       | 125590014/0 | 2    | Tire 13 "                          |       |
| 64       | 127590066/0 | 2    | Tire 15"                           |       |
| 66       | 25670005/1  | 2    | Washer                             |       |
| 67       | 12001010/0  | 2    | Snap Ring                          |       |
| 68       | 322110233/0 | 2    | Hub Cover                          |       |
| 70       | 382180124/0 | 1    | Screws Outfit                      |       |



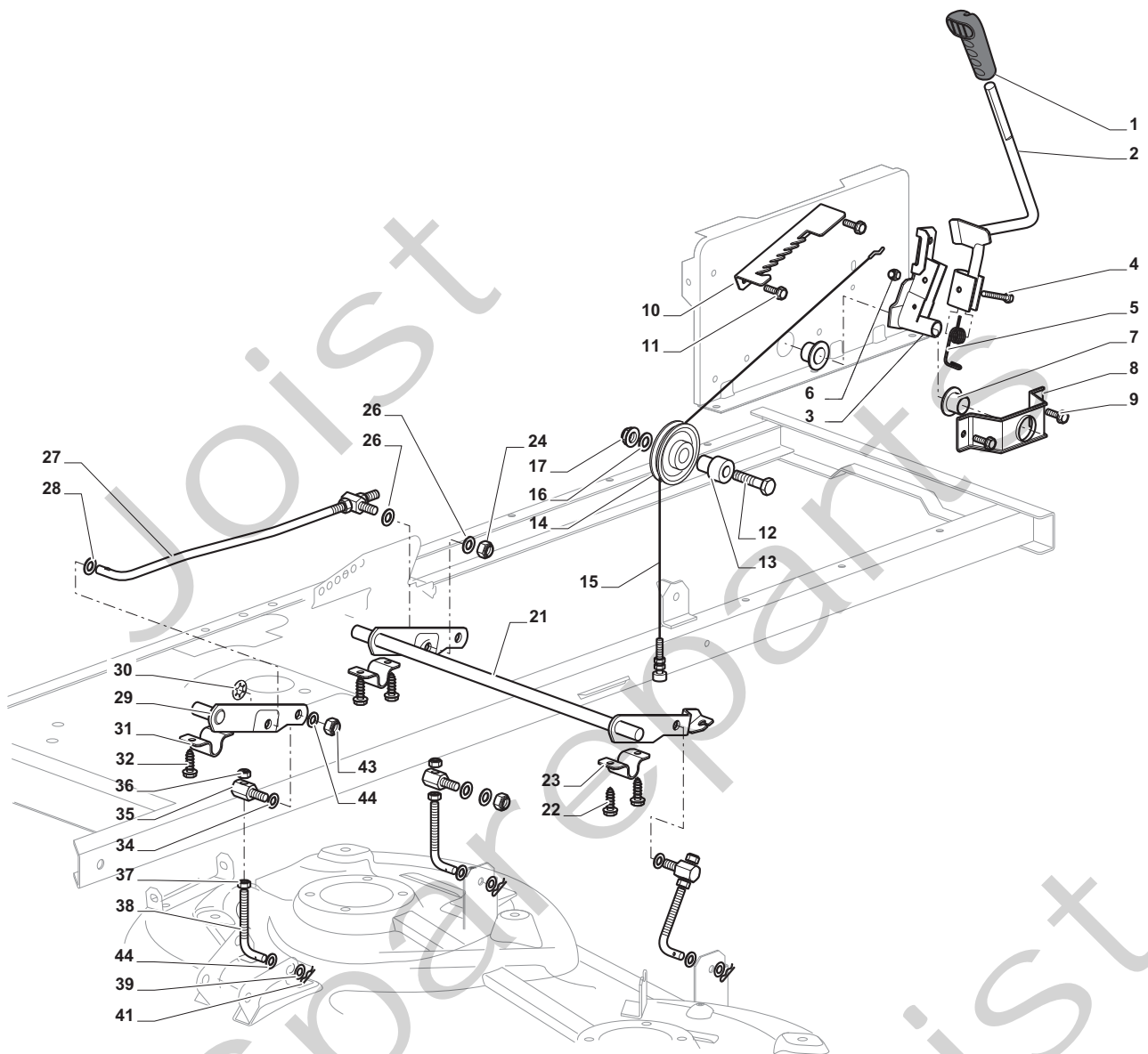


**Brake And Gearbox Controls**

| POSITION | CODE        | Q.TY | DESCRIPTION        | NOTES |
|----------|-------------|------|--------------------|-------|
| 1        | 325110391/0 | 1    | Clamp Cover        |       |
| 2        | 382500033/0 | 1    | Pedal              |       |
| 3        | 12735599/0  | 4    | Screw              |       |
| 4        | 325547231/0 | 2    | Plate              |       |
| 5        | 382000568/0 | 1    | Rod                |       |
| 6        | 12521350/0  | 1    | Washer             |       |
| 7        | 12436050/0  | 1    | Plate              |       |
| 8        | 25670011/0  | 1    | Washer             |       |
| 9        | 12155000/0  | 1    | Nut                |       |
| 11       | 25160021/0  | 1    | Spacer             |       |
| 12       | 25601567/0  | 1    | Pulley             |       |
| 13       | 12524010/0  | 2    | Washer             |       |
| 14       | 25580030/0  | 2    | Belt Guide (Mech.) |       |
| 15       | 12360425/0  | 2    | Nut (Mech.)        |       |
| 20       | 135062013/0 | 1    | Belt               |       |
| 21       | 25601555/0  | 1    | Pulley             |       |
| 22       | 12691400/0  | 1    | Screw              |       |
| 23       | 125160051/0 | 1    | Spacer             |       |
| 24       | 12523060/0  | 1    | Washer             |       |
| 25       | 12155000/0  | 1    | Nut                |       |
| 26       | 12155000/0  | 1    | Nut                |       |
| 27       | 12523060/0  | 1    | Washer             |       |
| 28       | 25601554/0  | 1    | Pulley             |       |
| 29       | 382318235/0 | 1    | Lever              |       |
| 30       | 12691600/0  | 1    | Screw              |       |
| 31       | 25038002/1  | 2    | Bush               |       |
| 32       | 25160027/0  | 1    | Spacer             |       |
| 33       | 12155000/0  | 1    | Nut                |       |
| 34       | 125430262/0 | 1    | Spring             |       |
| 35       | 382820016/0 | 1    | Tie Rod Ass.Y      |       |
| 36       | 12293201/0  | 1    | Nut                |       |
| 37       | 12521350/0  | 1    | Washer             |       |
| 38       | 12604899/0  | 1    | Crown Fastener     |       |
| 41       | 325394534/0 | 1    | Knob               |       |
| 42       | 125033083/0 | 1    | Rod                |       |
| 43       | 325253011/1 | 1    | Hook               |       |
| 44       | 22524970/2  | 1    | Pin                |       |
| 45       | 12155000/0  | 1    | Nut                |       |
| 46       | 25430213/0  | 1    | Spring             |       |
| 47       | 12523060/0  | 1    | Washer             |       |

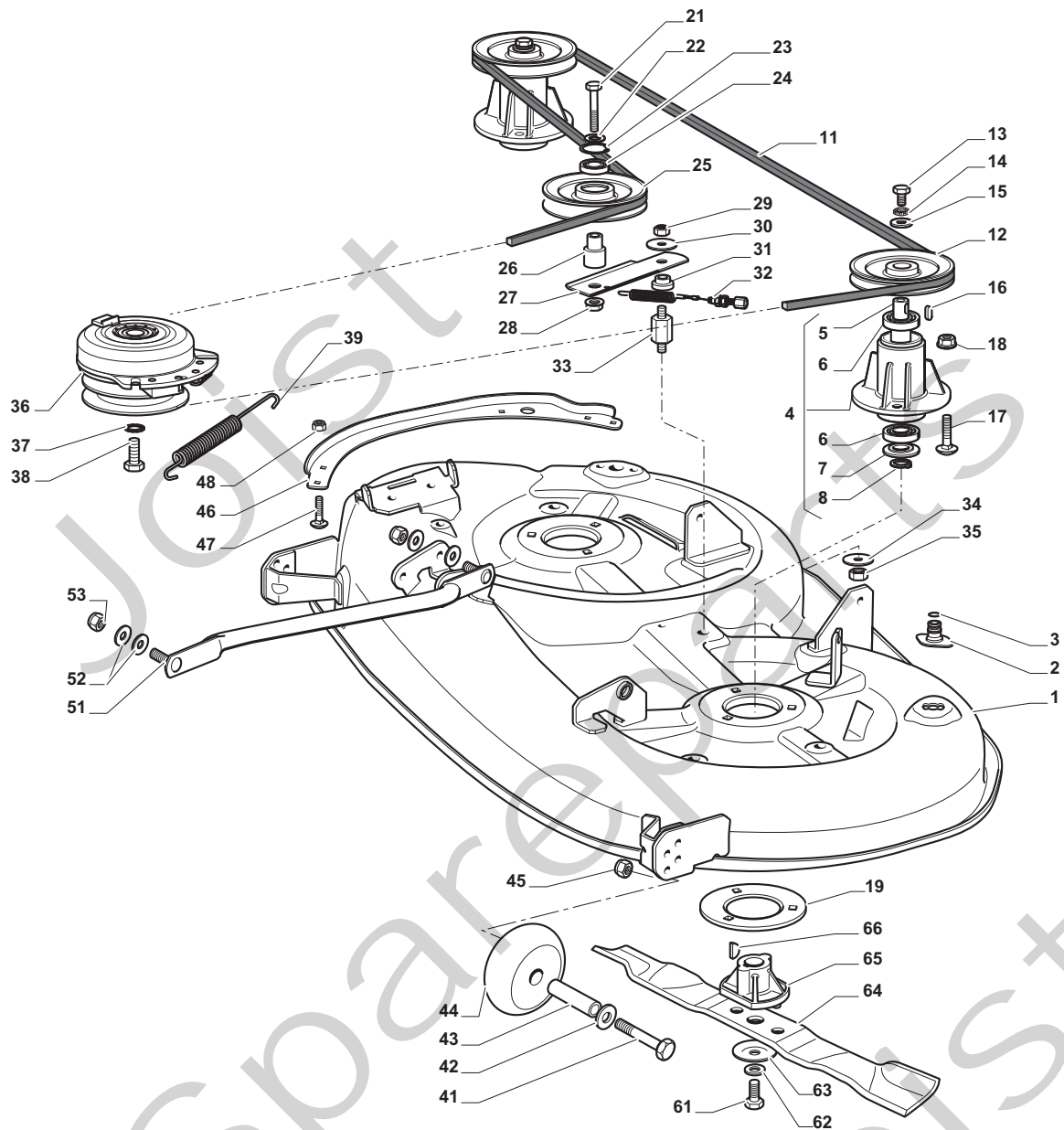


| Transmission |             |      |                           |       |
|--------------|-------------|------|---------------------------|-------|
| POSITION     | CODE        | Q.TY | DESCRIPTION               | NOTES |
| 1            | 325394532/0 | 1    | Knob                      |       |
| 2            | 382318233/0 | 1    | Lever                     |       |
| 3            | 382774259/0 | 1    | Clamp                     |       |
| 4            | 12692050/0  | 1    | Screw                     |       |
| 5            | 25430226/0  | 1    | Spring                    |       |
| 6            | 12155000/0  | 1    | Nut                       |       |
| 7            | 25510035/0  | 1    | Pin                       |       |
| 8            | 22672151/0  | 1    | Washer                    |       |
| 9            | 12293201/0  | 1    | Nut                       |       |
| 10           | 12523060/0  | 1    | Washer                    |       |
| 11           | 12155010/0  | 1    | Nut                       |       |
| 12           | 382000567/0 | 1    | Rod                       |       |
| 13           | 12154210/0  | 1    | Nut                       |       |
| 14           | 12521340/0  | 1    | Washer                    |       |
| 15           | 325318235/0 | 1    | Lever                     |       |
| 16           | 12141418/0  | 1    | Cotter Pin                |       |
| 17           | 12735520/0  | 1    | Screw                     |       |
| 18           | 12540040/0  | 1    | Washer                    |       |
| 19           | 22680009/0  | 1    | Washer                    |       |
| 21           | 12691600/0  | 4    | Screw                     |       |
| 22           | 12521350/0  | 4    | Washer                    |       |
| 23           | 18400912/0  | 1    | Rear Axle (Dana 4360-211) |       |
| 24           | 12155000/0  | 4    | Nut                       |       |
| 25           | 82601509/0  | 1    | Pulley                    |       |
| 26           | 12139430/0  | 1    | Key                       |       |
| 27           | 12608950/0  | 1    | Snap Ring                 |       |
| 28           | 125270329/0 | 1    | Belt Guide                |       |
| 29           | 12735599/0  | 2    | Screw                     |       |
| 30           | 125270330/0 | 1    | Belt Guide                |       |
| 31           | 125943009/0 | 4    | Screw                     |       |
| 32           | 325785315/0 | 2    | Support                   |       |
| 33           | 114363451/0 | 1    | Label                     |       |
| 34           | 19410610/0  | 1    | Gearbox Switch            |       |
| 41           | 25670005/1  | 2    | Washer                    |       |
| 42           | 125160055/0 | 2    | Spacer                    |       |
| 43           | 25670005/1  | 6    | Washer                    |       |
| 44           | 12001010/0  | 2    | Snap Ring                 |       |
| 45           | 322110233/0 | 2    | Hub Cover                 |       |
| 46           | 382000597/0 | 2    | Rimm                      |       |
| 47           | 25950000/0  | 2    | Valve                     |       |
| 48           | 125590015/0 | 2    | Shoe                      |       |



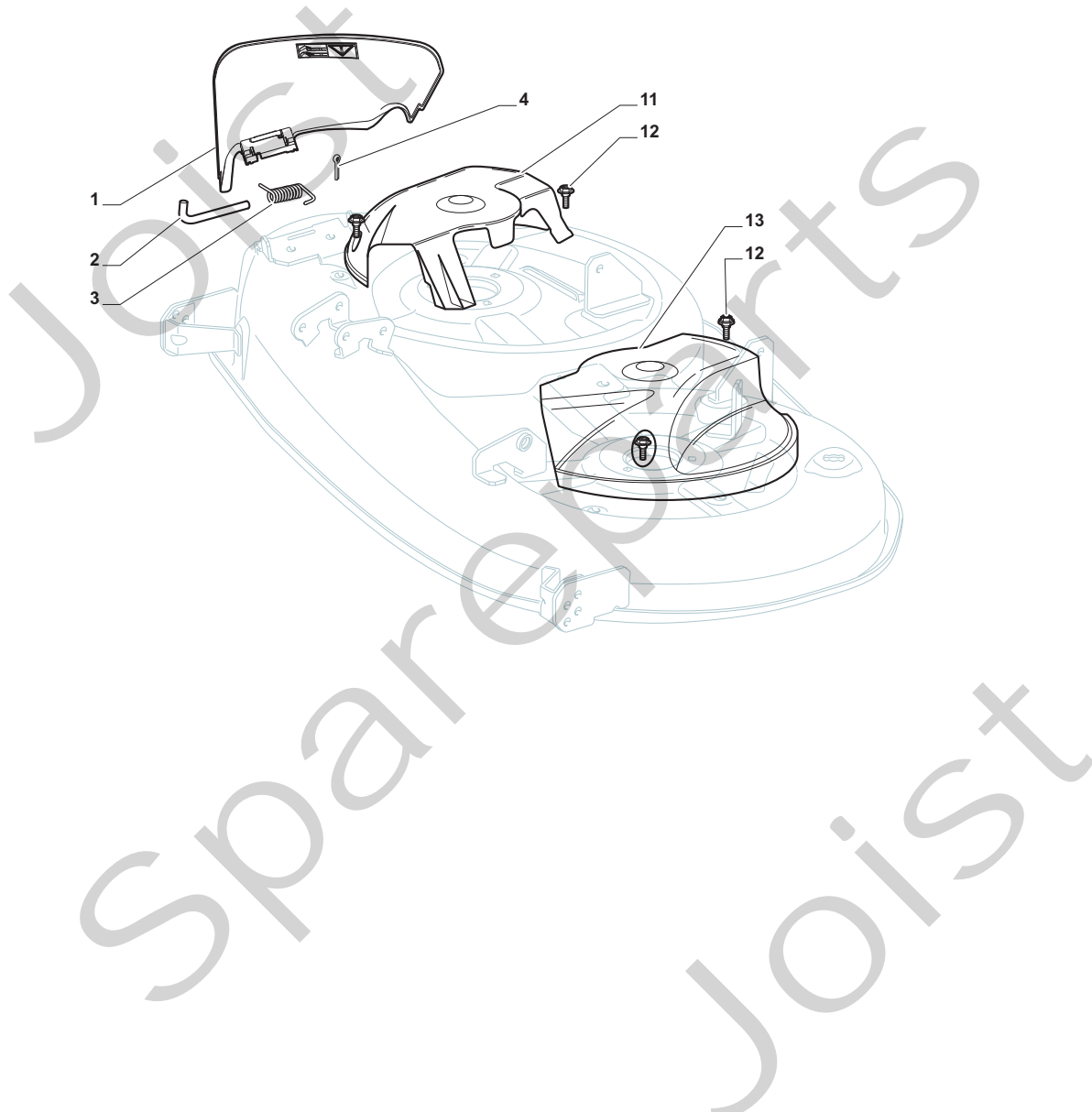
**Cutting Plate Lifting**

| POSITION | CODE        | Q.TY | DESCRIPTION    | NOTES |
|----------|-------------|------|----------------|-------|
| 1        | 325394533/0 | 1    | Knob           |       |
| 2        | 382318229/0 | 1    | Lever          |       |
| 3        | 382318231/0 | 1    | Axle           |       |
| 4        | 12674700/0  | 1    | Screw          |       |
| 5        | 125430261/0 | 1    | Spring         |       |
| 6        | 12154510/0  | 1    | Nut            |       |
| 7        | 325038006/0 | 2    | Bush           |       |
| 8        | 325785297/0 | 1    | Support        |       |
| 9        | 125943009/0 | 2    | Screw          |       |
| 10       | 325735515/0 | 1    | Steering Shaft |       |
| 11       | 125943009/0 | 2    | Screw          |       |
| 12       | 12793701/0  | 1    | Screw          |       |
| 13       | 125040636/0 | 1    | Bush           |       |
| 14       | 125601579/0 | 1    | Pulley         |       |
| 15       | 382004620/0 | 1    | Wire           |       |
| 16       | 12523060/0  | 1    | Washer         |       |
| 17       | 12293201/0  | 1    | Nut            |       |
| 21       | 382318239/0 | 1    | Axle           |       |
| 22       | 12735599/0  | 4    | Screw          |       |
| 23       | 325547231/0 | 2    | Plate          |       |
| 24       | 12155000/0  | 1    | Nut            |       |
| 26       | 25670011/0  | 2    | Washer         |       |
| 27       | 382000569/1 | 1    | Connecting Rod |       |
| 28       | 12521350/0  | 1    | Washer         |       |
| 29       | 382318237/0 | 1    | Axle           |       |
| 30       | 12604899/0  | 1    | Crown Fastener |       |
| 31       | 325547231/0 | 1    | Plate          |       |
| 32       | 12735599/0  | 2    | Screw          |       |
| 34       | 25670008/1  | 3    | Washer         |       |
| 35       | 125510107/1 | 3    | Pin            |       |
| 36       | 12156602/0  | 3    | Nut            |       |
| 37       | 12295200/0  | 3    | Nut            |       |
| 38       | 25840012/0  | 3    | Tie Rod        |       |
| 39       | 12523060/0  | 3    | Washer         |       |
| 41       | 24487998/0  | 3    | Cotter Pin     |       |
| 43       | 12156602/0  | 3    | Nut            |       |
| 44       | 25670008/1  | 6    | Washer         |       |



**Cutting Plate**

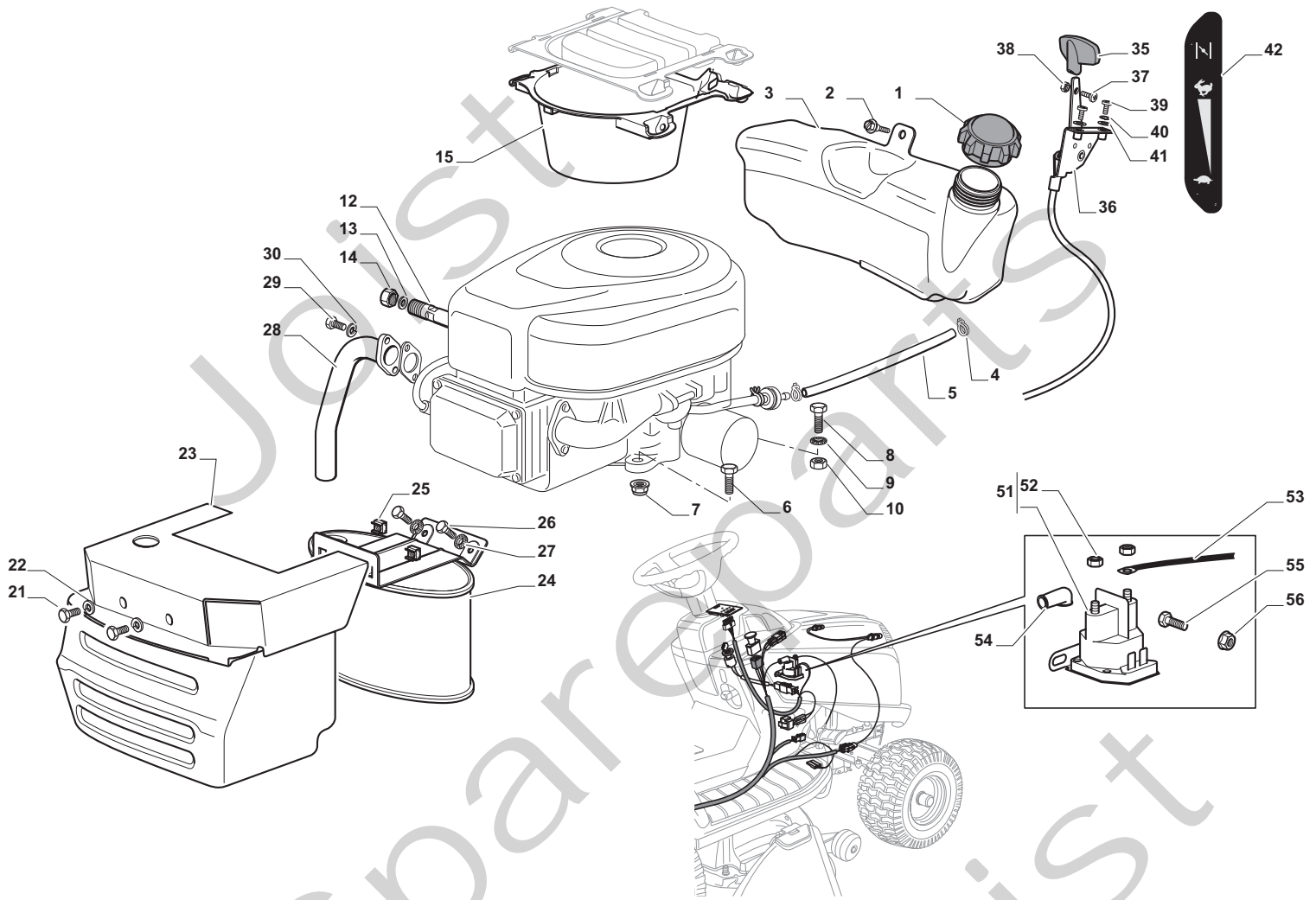
| POSITION | CODE        | Q.TY | DESCRIPTION            | NOTES |
|----------|-------------|------|------------------------|-------|
| 1        | 382565069/0 | 1    | Plate                  |       |
| 2        | 325033086/0 | 2    | Water Hose Connection  |       |
| 3        | 19035000/0  | 2    | O Ring                 |       |
| 4        | 382207204/0 | 2    | Flange Ass.Y           |       |
| 5        | 125020804/0 | 2    | Shaft                  |       |
| 6        | 119216047/0 | 4    | Bearing                |       |
| 7        | 25160501/0  | 2    | Dust Cover             |       |
| 8        | 12609260/0  | 2    | Seeger                 |       |
| 11       | 135061506/0 | 1    | Belt                   |       |
| 12       | 25601571/0  | 2    | Pulley                 |       |
| 13       | 12793102/0  | 2    | Screw                  |       |
| 14       | 12540260/0  | 2    | Washer                 |       |
| 15       | 25670007/0  | 2    | Washer                 |       |
| 16       | 12139480/0  | 2    | Key                    |       |
| 17       | 12818700/0  | 6    | Screw                  |       |
| 18       | 12154210/0  | 6    | Nut                    |       |
| 19       | 325160505/0 | 2    | Plate                  |       |
| 21       | 12691800/0  | 1    | Screw                  |       |
| 22       | 12524010/0  | 1    | Washer                 |       |
| 23       | 12610800/0  | 1    | Snap Ring              |       |
| 24       | 119216048/0 | 1    | Bearing                |       |
| 25       | 125601586/0 | 1    | Pulley                 |       |
| 26       | 125160056/0 | 1    | Spacer                 |       |
| 27       | 325318255/0 | 1    | Lever                  |       |
| 28       | 12293201/0  | 1    | Nut                    |       |
| 29       | 12155020/0  | 1    | Nut                    |       |
| 30       | 125670022/0 | 1    | Washer                 |       |
| 31       | 125040635/0 | 1    | Bush                   |       |
| 32       | 382004619/0 | 1    | Wire                   |       |
| 33       | 125160057/0 | 1    | Spacer                 |       |
| 34       | 12523080/0  | 1    | Washer                 |       |
| 35       | 12156602/0  | 1    | Nut                    |       |
| 36       | 118399062/0 | 1    | Clutc                  |       |
| 37       | 12543000/0  | 1    | Washer                 |       |
| 38       | 12737320/0  | 1    | Screw                  |       |
| 39       | 122430277/0 | 1    | Spring                 |       |
| 41       | 12692050/0  | 2    | Screw                  |       |
| 42       | 12523060/0  | 2    | Washer                 |       |
| 43       | 25510072/0  | 2    | Spacer                 |       |
| 44       | 82700001/0  | 2    | Anti Scalp Wheel Ø 100 |       |
| 45       | 12293201/0  | 2    | Nut                    |       |
| 46       | 325547259/0 | 1    | Stiffening             |       |
| 47       | 12815200/0  | 5    | Screw                  |       |
| 48       | 12154510/0  | 5    | Nut                    |       |
| 51       | 382000565/0 | 2    | Equalizer Rod          |       |
| 52       | 25670008/1  | 8    | Washer                 |       |
| 53       | 12156602/0  | 4    | Nut                    |       |
| 61       | 12735694/0  | 2    | Screw                  |       |
| 62       | 12523080/0  | 2    | Washer                 |       |
| 63       | 22160400/0  | 2    | Elastic Washer         |       |
| 64       | 182004357/0 | 2    | Right Blade Mulching   |       |
| 65       | 25463200/0  | 2    | Blade Hub              |       |
| 66       | 12139100/0  | 2    | Feather                |       |





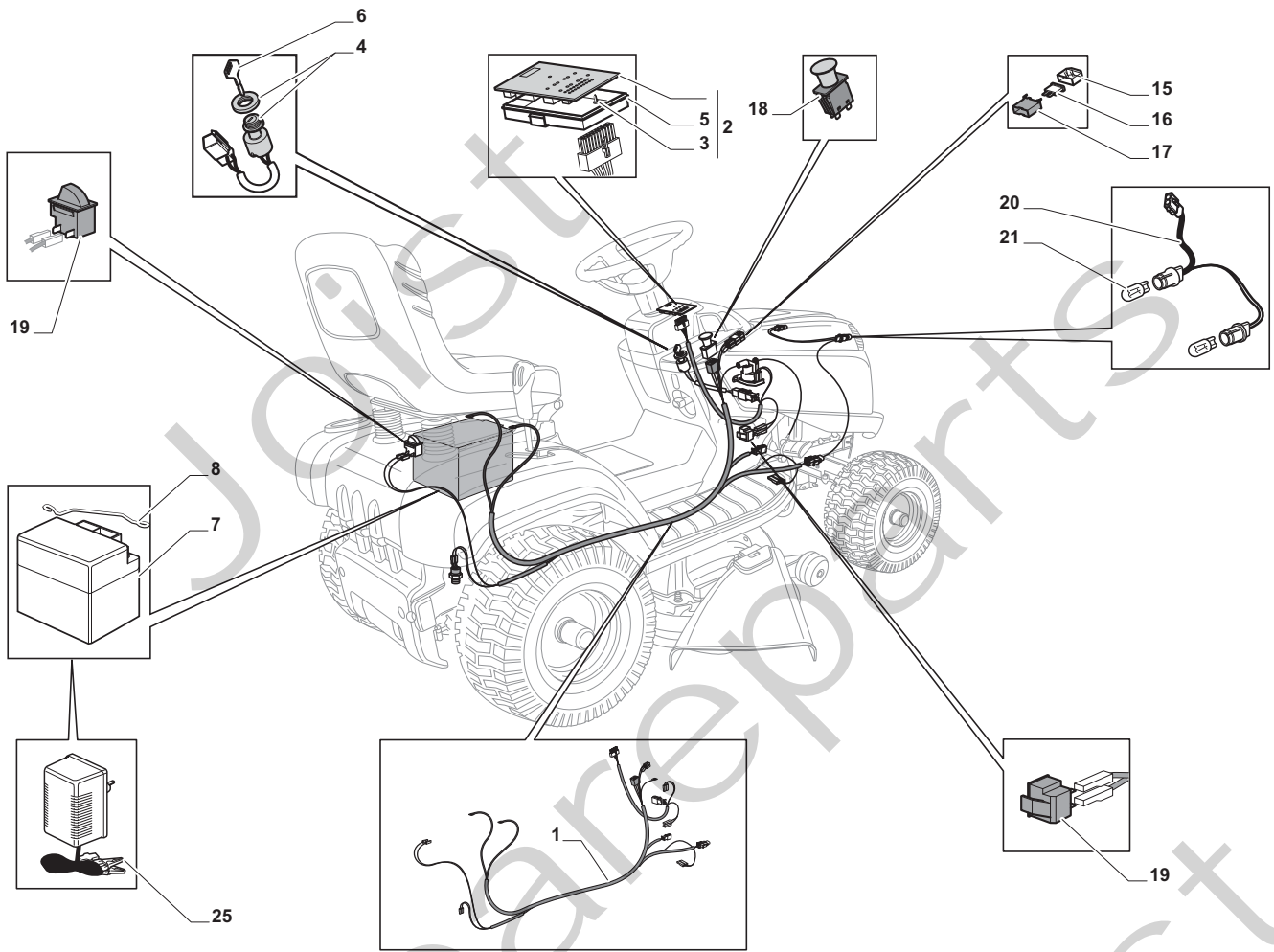
| Guards   |             |      |                 |       |
|----------|-------------|------|-----------------|-------|
| POSITION | CODE        | Q.TY | DESCRIPTION     | NOTES |
| 1        | 325600087/0 | 1    | Exit Protection |       |
| 2        | 25510073/0  | 1    | Pin             |       |
| 3        | 125430242/1 | 1    | Spring          |       |
| 4        | 12141418/0  | 1    | Cotter Pin      |       |
| 11       | 325600088/0 | 1    | Case            |       |
| 12       | 125943006/0 | 4    | Screw           |       |
| 13       | 325600089/0 | 1    | Case            |       |

Joist  
Spareparts  
Joist

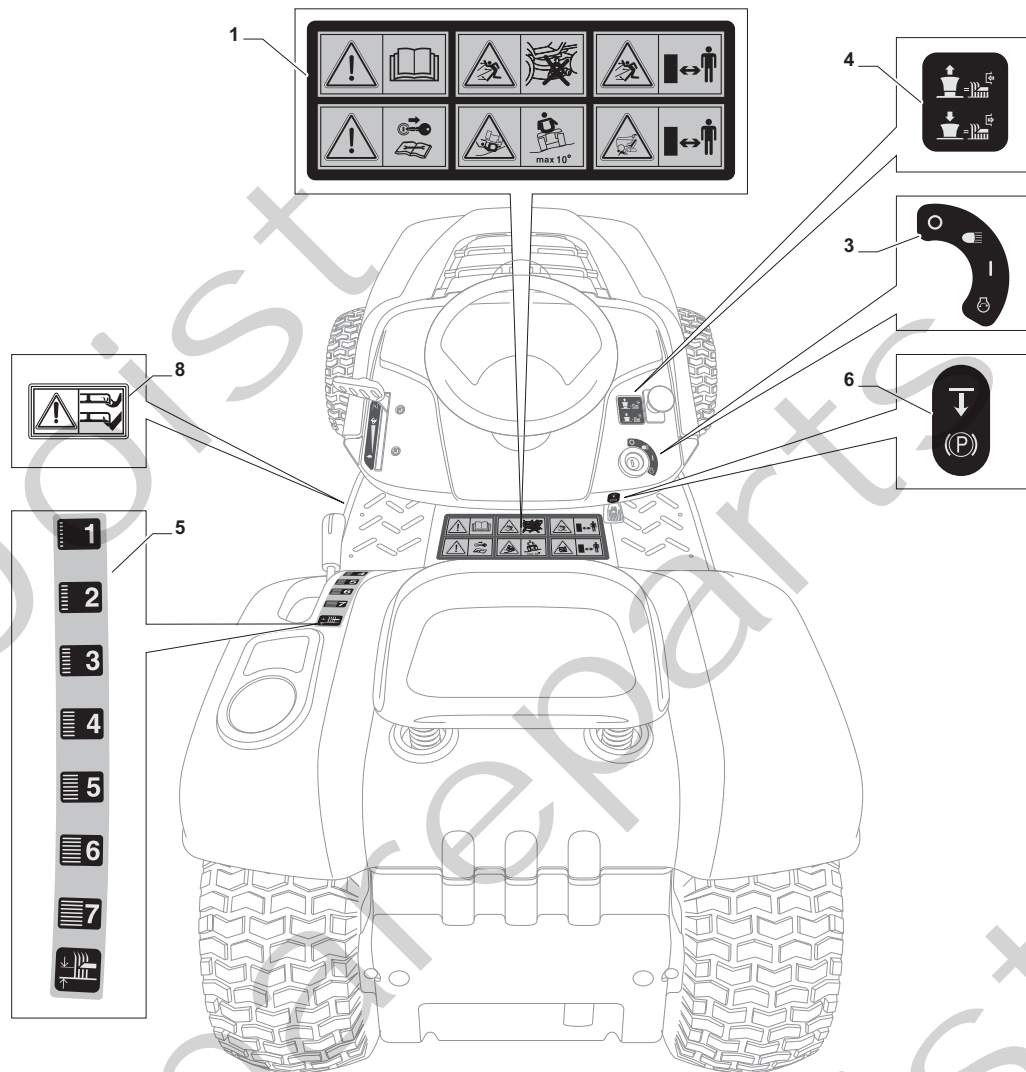


Engine - B&S 15.5 - 16.5 - 17.5 - 18.5 HP

| POSITION | CODE        | Q.TY | DESCRIPTION               | NOTES |
|----------|-------------|------|---------------------------|-------|
| 1        | 25795001/1  | 1    | Cap                       |       |
| 2        | 125943010/0 | 4    | Screw                     |       |
| 3        | 325735126/0 | 1    | Tank                      |       |
| 4        | 18375051/1  | 2    | Fair Led                  |       |
| 5        | 25869057/0  | 1    | Connecting Tube (1000 Mm) |       |
| 6        | 112735108/1 | 3    | Screw                     |       |
| 7        | 12154210/0  | 3    | Nut                       |       |
| 8        | 12691115/0  | 1    | Screw                     |       |
| 9        | 12540260/0  | 1    | Washer                    |       |
| 10       | 12154210/0  | 1    | Nut                       |       |
| 12       | 25598050/0  | 1    | Oil Discharge Extension   |       |
| 13       | 18401001/1  | 1    | Oil Seal                  |       |
| 14       | 18737849/0  | 1    | Oil Cap                   |       |
| 15       | 325108044/1 | 1    | Conveyor                  |       |
| 21       | 12792611/0  | 2    | Screw                     |       |
| 22       | 12540260/0  | 2    | Washer                    |       |
| 23       | 382598047/0 | 1    | Muffler Protection        |       |
| 24       | 182750010/0 | 1    | Muffler                   |       |
| 25       | 12360425/0  | 2    | Nut (Mech.)               |       |
| 26       | 12792611/0  | 2    | Screw                     |       |
| 27       | 12540260/0  | 2    | Washer                    |       |
| 28       | 18738206/0  | 1    | Exhaust Tube              |       |
| 29       | 12737450/0  | 2    | Screw                     |       |
| 30       | 12540260/0  | 2    | Washer                    |       |
| 35       | 325394531/0 | 1    | Knob                      |       |
| 36       | 82000200/1  | 1    | Accelerator               |       |
| 37       | 112726389/0 | 1    | Screw                     |       |
| 38       | 12290800/0  | 1    | Nut                       |       |
| 39       | 112726389/0 | 2    | Screw                     |       |
| 40       | 12540020/0  | 2    | Washer                    |       |
| 41       | 12521310/0  | 2    | Washer                    |       |
| 42       | 114363697/0 | 1    | Label                     |       |
| 51       | 18736111/0  | 1    | Starter Relay             |       |
| 52       | 12360352/0  | 2    | Nut                       |       |
| 53       | 25065002/0  | 1    | Cable                     |       |
| 54       | 18564864/1  | 1    | Protection                |       |
| 55       | 12790781/0  | 1    | Screw                     |       |
| 56       | 12154510/0  | 2    | Nut                       |       |

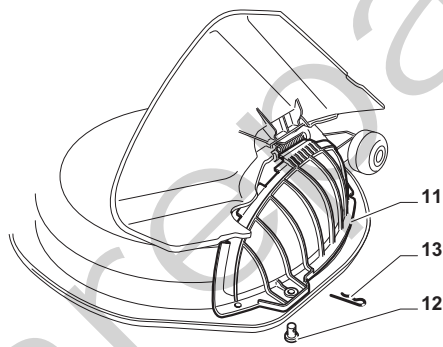
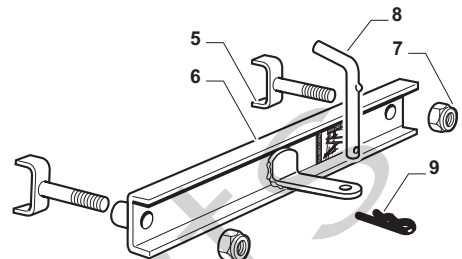
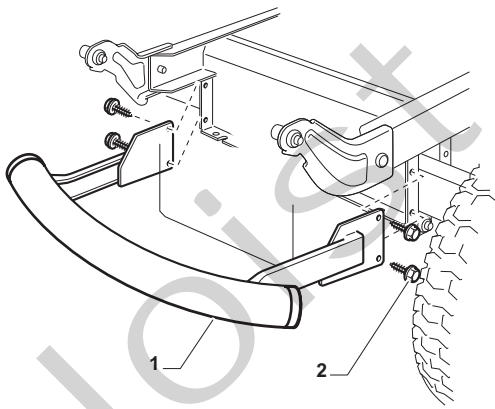


| Electrical Parts |             |      |                               |       |
|------------------|-------------|------|-------------------------------|-------|
| POSITION         | CODE        | Q.TY | DESCRIPTION                   | NOTES |
| 1                | 182040150/0 | 1    | Cables Ass.Y                  |       |
| 1                | 182040157/0 | 1    | Cables Ass.Y (Honda)          |       |
| 2                | 125722433/0 | 1    | Electronic Card (GGP)         |       |
| 2                | 382722429/0 | 1    | Electronic Card (B&S - Honda) |       |
| 3                | 12735101/0  | 1    | Screw                         |       |
| 4                | 118450075/0 | 1    | Starting Switch               |       |
| 5                | 325600080/0 | 1    | Card Protection               |       |
| 6                | 118210023/0 | 1    | Starting Key                  |       |
| 7                | 18120002/1  | 1    | Battery                       |       |
| 8                | 125430265/0 | 1    | Spring                        |       |
| 15               | 33215000/0  | 2    | Cover                         |       |
| 16               | 33340040/0  | 1    | Fuse 10A                      |       |
| 16               | 33340036/0  | 1    | Fuse 25 A                     |       |
| 17               | 33500007/0  | 2    | Fuse Carrier                  |       |
| 18               | 118450074/0 | 1    | Clutch Switch                 |       |
| 19               | 119410613/0 | 2    | Micro                         |       |
| 20               | 82040073/0  | 1    | Cable                         |       |
| 21               | 18459100/0  | 2    | Farilamp For Lights           |       |
| 25               | 182180090/0 | 1    | Battery Charger               |       |
| 25               | 182180091/0 | 1    | Battery Charger (U.K.)        |       |



| Labels   |             |      |             |       |
|----------|-------------|------|-------------|-------|
| POSITION | CODE        | Q.TY | DESCRIPTION | NOTES |
| 1        | 114362365/1 | 1    | Label       |       |
| 3        | 114363699/0 | 1    | Label       |       |
| 4        | 14361438/0  | 1    | Label       |       |
| 5        | 114363701/0 | 1    | Label       |       |
| 6        | 114363700/0 | 1    | Label       |       |
| 8        | 114356699/1 | 1    | Label       |       |

Joist  
Spareparts  
Joist

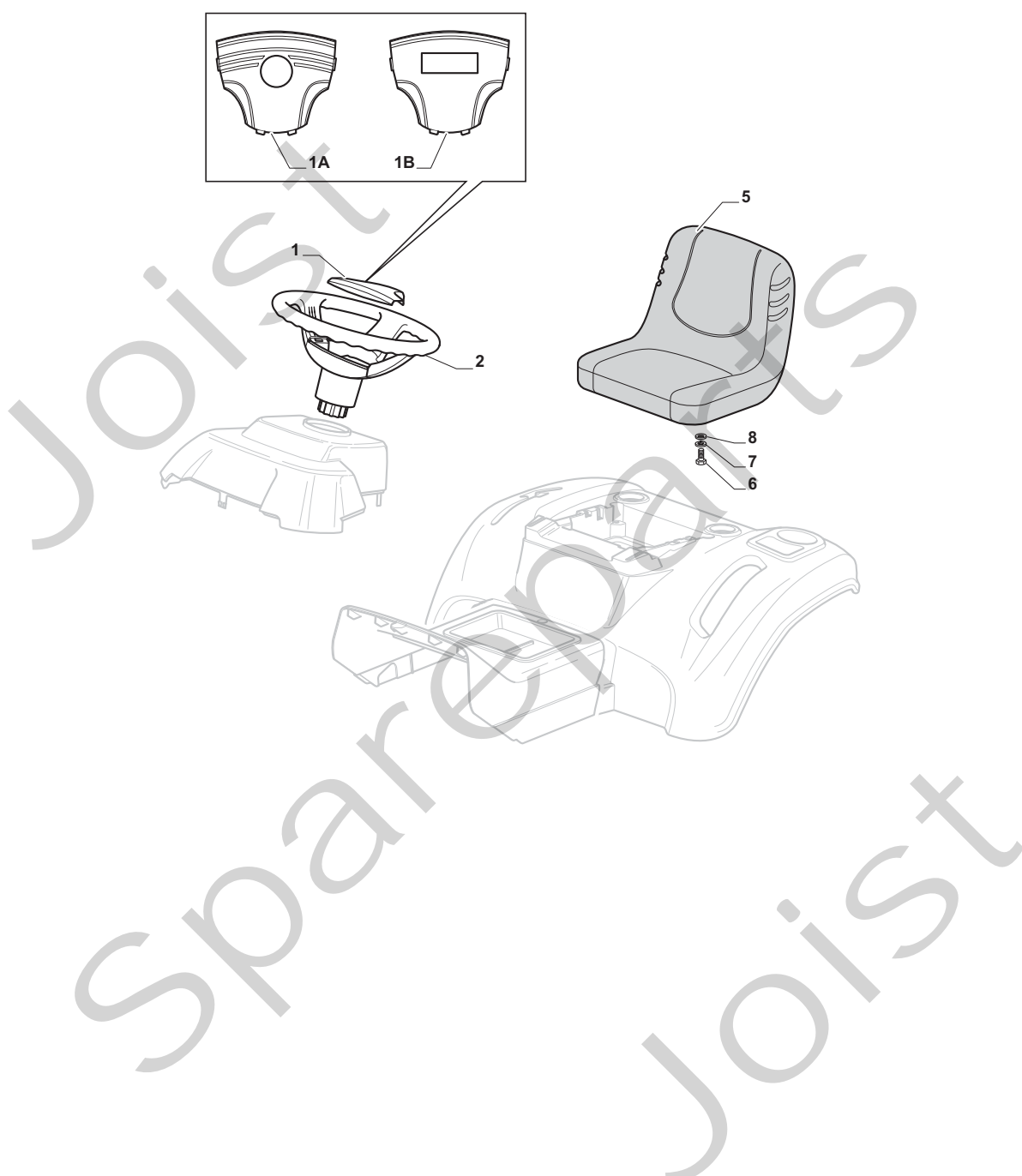




Optionals On Request

| POSITION | CODE        | Q.TY | DESCRIPTION        | NOTES |
|----------|-------------|------|--------------------|-------|
| 1        | 382869038/0 | 1    | Muffler Protection |       |
| 2        | 125943008/0 | 4    | Screw              |       |
| 5        | 382650211/0 | 2    | Stiffening         |       |
| 6        | 382033111/0 | 1    | Rod                |       |
| 7        | 12155000/0  | 2    | Nut                |       |
| 8        | 25510021/1  | 1    | Pin                |       |
| 9        | 24487999/0  | 1    | Cotter Pin         |       |
| 11       | 325140101/0 | 1    | Deflector          |       |
| 12       | 125510111/0 | 1    | Pin                |       |
| 13       | 24487998/0  | 1    | Cotter Pin         |       |

Joist  
Spareparts  
Joist



**Seat & Steering Wheel**

| POSITION | CODE        | Q.TY | DESCRIPTION    | NOTES |
|----------|-------------|------|----------------|-------|
| 1A       | 325580503/0 | 1    | Steering Plate |       |
| 1B       | 325580504/0 | 1    | Steering Plate |       |
| 2        | 325961219/0 | 1    | Steering Wheel |       |
| 5        | 25722463/0  | 1    | Seat           |       |
| 6        | 12792611/0  | 4    | Screw          |       |
| 7        | 12540260/0  | 4    | Washer         |       |
| 8        | 12523060/0  | 4    | Washer         |       |

Joist  
Spareparts  
Joist