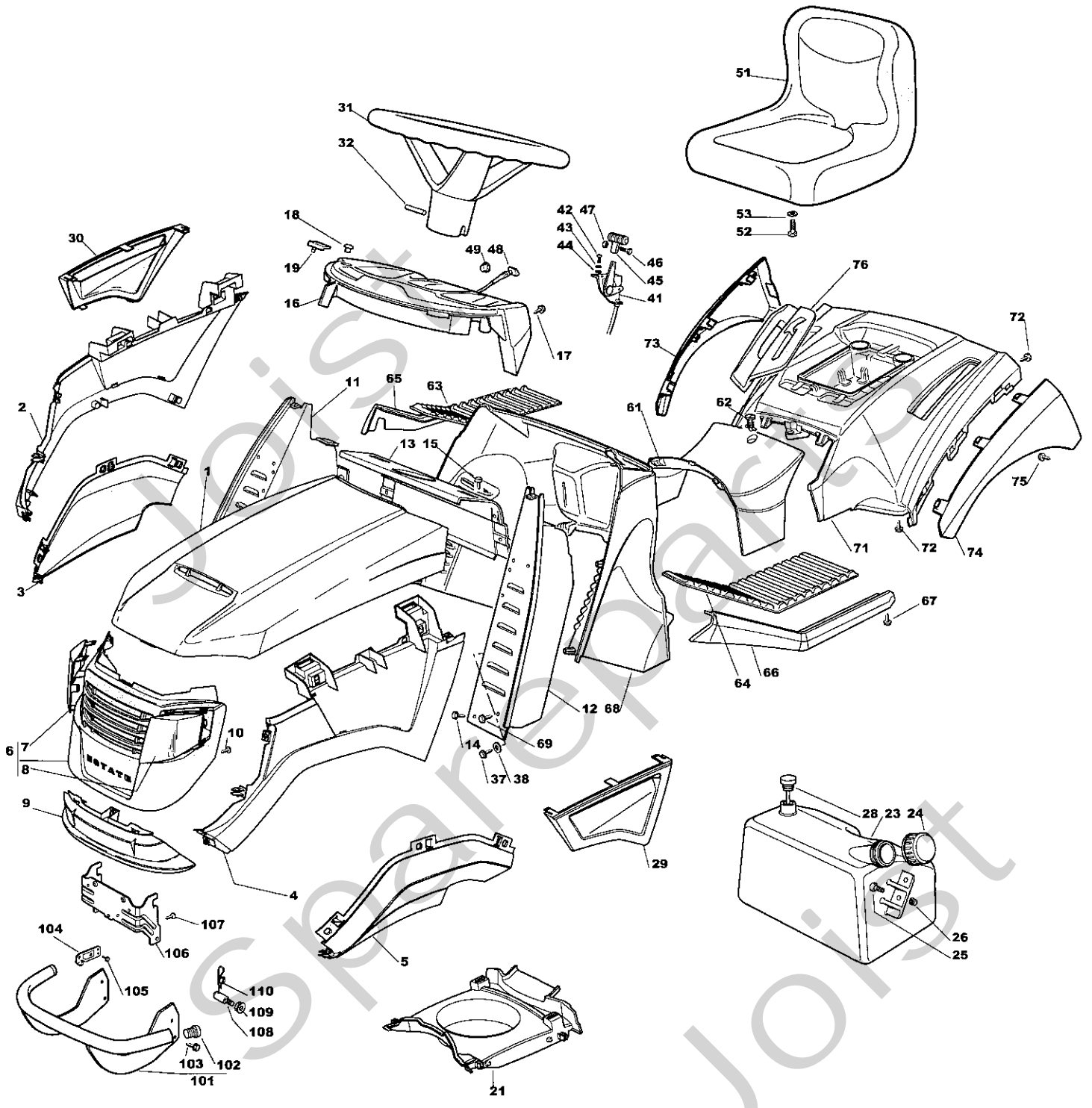


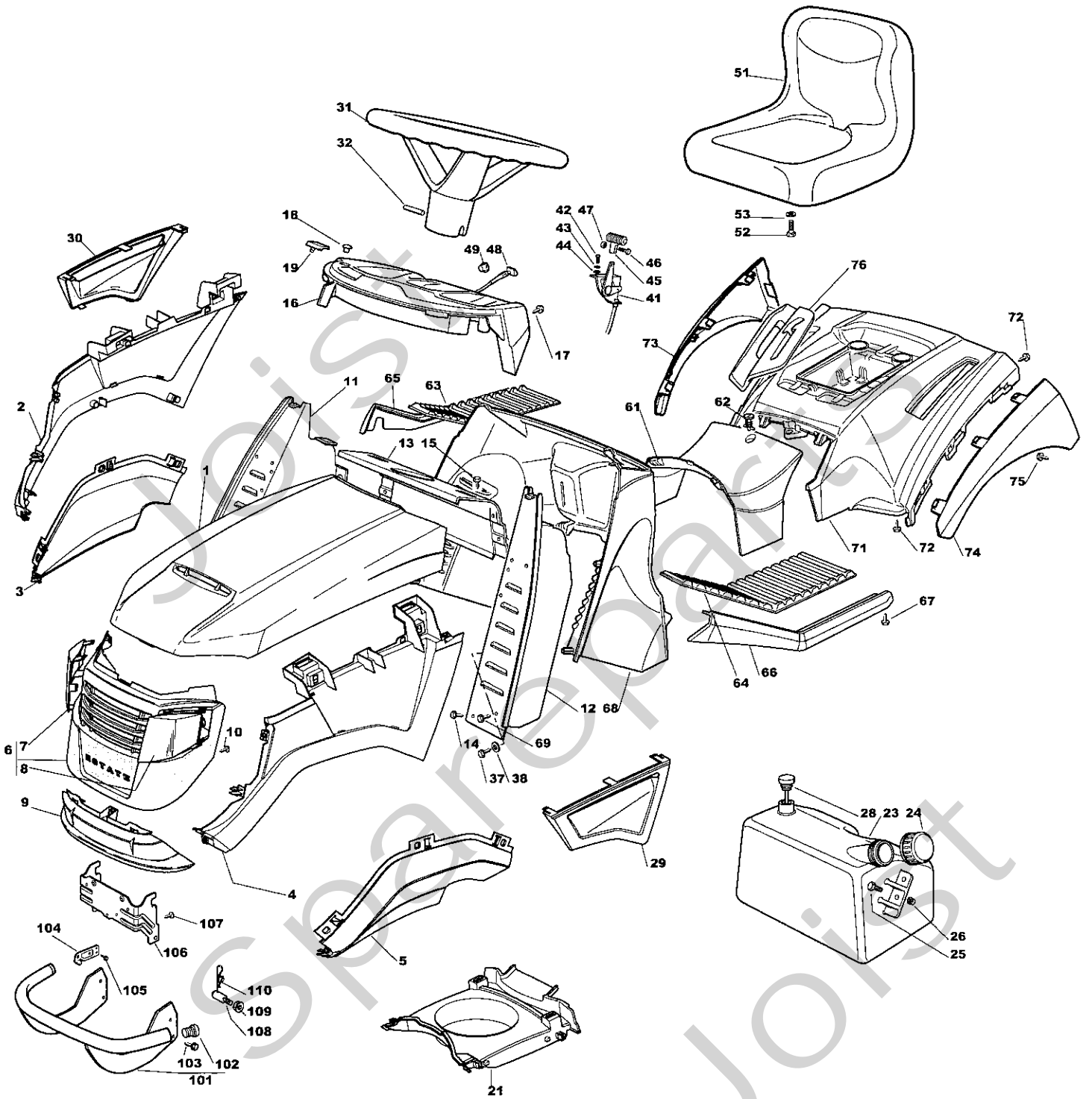
Genuine Spare Parts



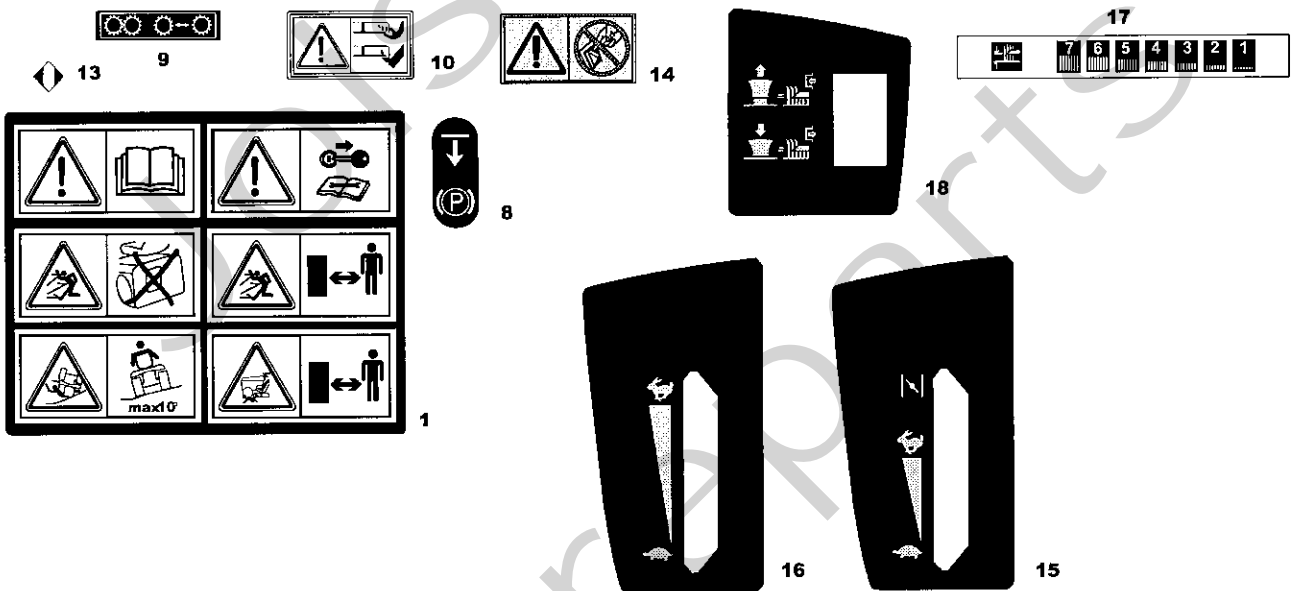
Joist
Spareparts
Joist



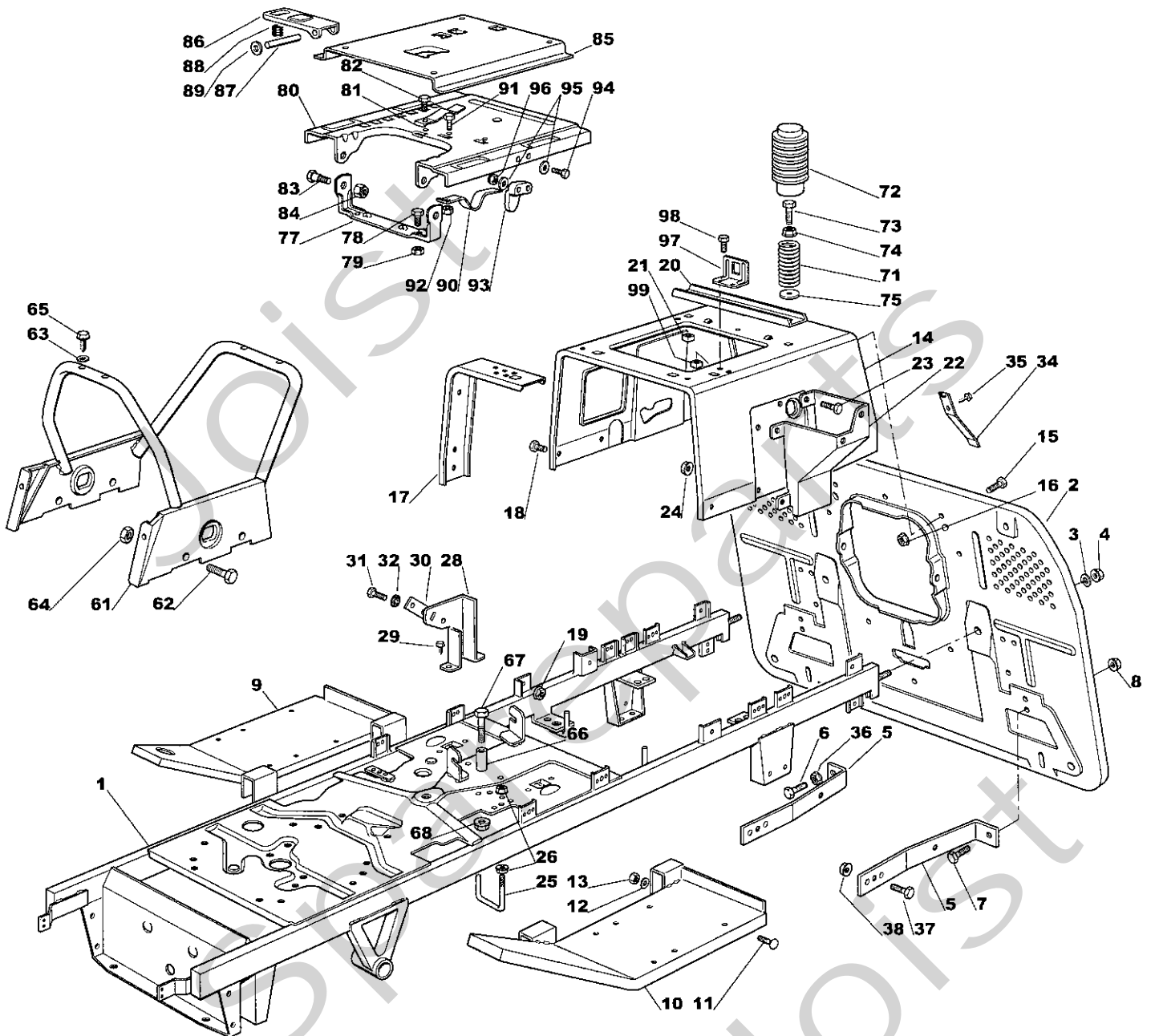
Utgåva Issue 2006- 13		Bildnr Picture No 2080		ESTATE ROYAL ESTATE PRO KAROSS		ESTATE ROYAL ESTATE PRO BODY WORK		Sida Page 130	
Pos. Fig.	Antal/Quantity			Art nr Part No	Benämning	Description	Sats Kit	Anmärkning Notes	
	2558 2559	2561 2562							
X	1	1	1	1136-2072-01	Motorhuv- övre, gul.....	Engine hood- upper, ye.....			
X	2	1	1	1136-2101-01	Huv- övre hö, gul.....	Hood- upper RH, yellow.....			
X	3	1	1	1136-2106-01	Huv- undre hö, grå.....	Hood- lower RH, grey.....			
X	4	1	1	1136-2102-01	Huv- övre vä, gul.....	Hood- upper LH, yellow.....			
X	5	1	1	1136-2105-01	Huv- undre vä, grå.....	Hood- lower LH, grey.....			
X	6	1	1	1136-2176-01	Huv- främre, grå.....	Hood- front, grey.....		Inkl. pos 7 - 8	
X	7	1	1	1136-2124-01	• Skydd, hö.....	• Grill, RH.....			
X	8	1	1	1136-2125-01	• Skydd, vä.....	• Grill, LH.....			
X	9	1	1	1136-2071-01	Huv- främre undre, grå.....	Hood- front lower, gre.....			
	10	6	6	1136-0816-01	Skruv.....	Screw.....			
	11	1	1	1136-0535-01	Stöd- hö.....	Dashboard support- RH.....			
	12	1	1	1136-0534-01	Stöd- vä.....	Dashboard support- LH.....			
	13	1	1	1136-1497-01	Panelstöd- mittre.....	Support- centre.....			
	14	2	2	9848-8013-16	Skruv.....	Screw.....			
	15	4	4	9848-8013-16	Skruv.....	Screw.....			
X	16	1	1	1136-2093-01	Instrumentpanel.....	Dashboard.....			
	17	4	4	9847-8013-16	Skruv.....	Screw.....			
	18	2	2	1136-0872-01	Plugg.....	Plug.....			
	19	2	2	1136-0179-01	Huvskydd.....	Grommet.....			
X	21	1	1	1136-2075-01	Kåpa.....	Conveyor.....			
	23	1	1	1136-0924-01	Bränsletank.....	Fuel tank.....			
	24	1	1	1136-0344-01	Tanklock.....	Tank cap.....			
X	25	2	2	1136-2052-01	Skruv.....	Screw.....			
X	26	2	2	1136-2047-01	Mutter.....	Nut.....			
X	28	1	1	1136-2122-01	Bränslemätare.....	Fuel level indicator.....			
X	29	1	1	1136-2103-01	Kåpa, vä.....	Cover, LH.....			
X	30	1	1	1136-2104-01	Kåpa, hö.....	Cover, RH.....			
	31	1	1	1136-0360-01	Ratt.....	Steering wheel.....			
	32	1	1	9595-0272-00	Stift.....	Pin.....			
	37	2	2	9847-8119-16	Skruv.....	Screw.....			
	38	2	2	9699-0035-02	Planbricka.....	Flat washer.....			
	41	1	1	1136-0439-01	Gasreglage.....	Throttle control.....			
	41	1	1	1136-1796-01	Gasreglage.....	Throttle control.....		Kohler 20-22 HP	
	42	2	2	9997-0412-16	Skruv.....	Screw.....			
	43	2	2	9683-0010-02	Bricka.....	Washer.....			
	44	2	2	9699-0021-02	Bricka.....	Washer.....			
	45	1	1	1136-0192-01	Knopp.....	Handle.....			
	46	1	1	9865-0412-16	Skruv.....	Screw.....			
	47	1	1	9799-0431-02	Mutter.....	Nut.....			
	48	1	1	1136-1781-01	Choke.....	Starter drive.....		Kohler 20-22 HP	
X	49	1	1	1136-2095-01	Plugg.....	Cap.....			
	51	1	1	1136-0316-01	Sits.....	Seat.....			
	52	4	4	9997-0820-16	Skruv.....	Screw.....			
	53	4	4	9683-0030-02	Låsbricka.....	Lock washer.....			
X	61	1	1	1136-2091-01	Kåpa.....	Cover.....			
	62	1	1	1136-0268-01	Stift.....	Pivot.....			
X	63	1	1	1136-2086-01	Fotstegsskydd- hö.....	Footboard cover- RH.....			
X	64	1	1	1136-2087-01	Fotstegsskydd- vä.....	Footboard cover- LH.....			
X	65	1	1	1136-2136-01	Profil- hö.....	Profile- RH.....			
X	66	1	1	1136-2137-01	Profil- vä.....	Profile- LH.....			
	67	6	6	9847-8009-16	Skruv.....	Screw.....			
X	68	1	1	1136-2146-01	Stöd.....	Dashboard support.....			
	69	7	7	1136-0816-01	Skruv.....	Screw.....			
X	71	1	1	1136-2081-01	Hjulååpa.....	Wheel cover.....			
	72	4	4	9836-9618-12	Skruv.....	Screw.....			
X	73	1	1	1136-2080-01	Hjulååpa- hö.....	Wheel cover- RH.....			
X	74	1	1	1136-2079-01	Hjulååpa- vä.....	Wheel cover- LH.....			
	75	2	2	9836-9516-12	Skruv.....	Screw.....			
X	76	1	1	1136-2100-01	Kåpa.....	Cover.....			
X	101	1	1	1136-2190-01	Ljuddåmparskydd.....	Muffler protection.....		Inkl. pos 102	
X	102	2	2	1136-2063-01	• Plugg.....	• Cap.....			
	103	4	4	9847-8216-16	Skruv.....	Screw.....			
X	104	2	2	1136-2130-01	Huvfåste.....	Hood plate.....			



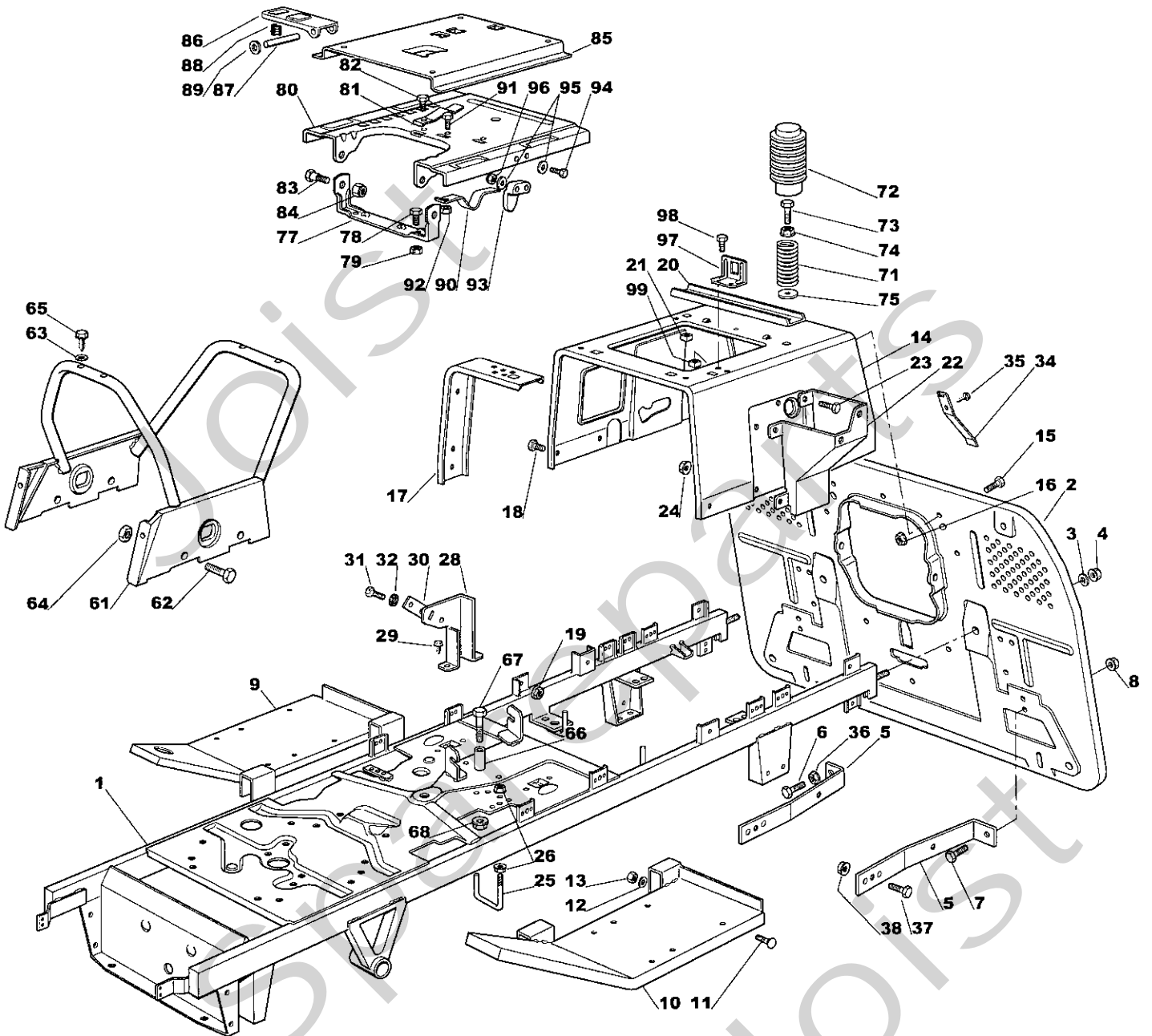
Utgåva Issue		Bildnr Picture No		ESTATE ROYAL ESTATE PRO KAROSS		ESTATE ROYAL ESTATE PRO BODY WORK		Sida Page
Pos. Fig.	Antal/Quantity			Art nr Part No	Benämning	Description	Sats Kit	Anmärkning Notes
	2558 2559	2561 2562						
X 105	4	4		9847- 8009- 16	Skruv	Screw		
106	1	1		1136- 2142- 01	Huvstöd	Hood support		
107	5	5		1136- 0816- 01	Skruv	Screw		
X 108	2	2		1136- 2127- 01	Axel	Pin		
109	2	2		9739- 0831- 22	Mutter	Nut		
110	2	2		9598- 0002- 02	Låsnål	Pin lock		



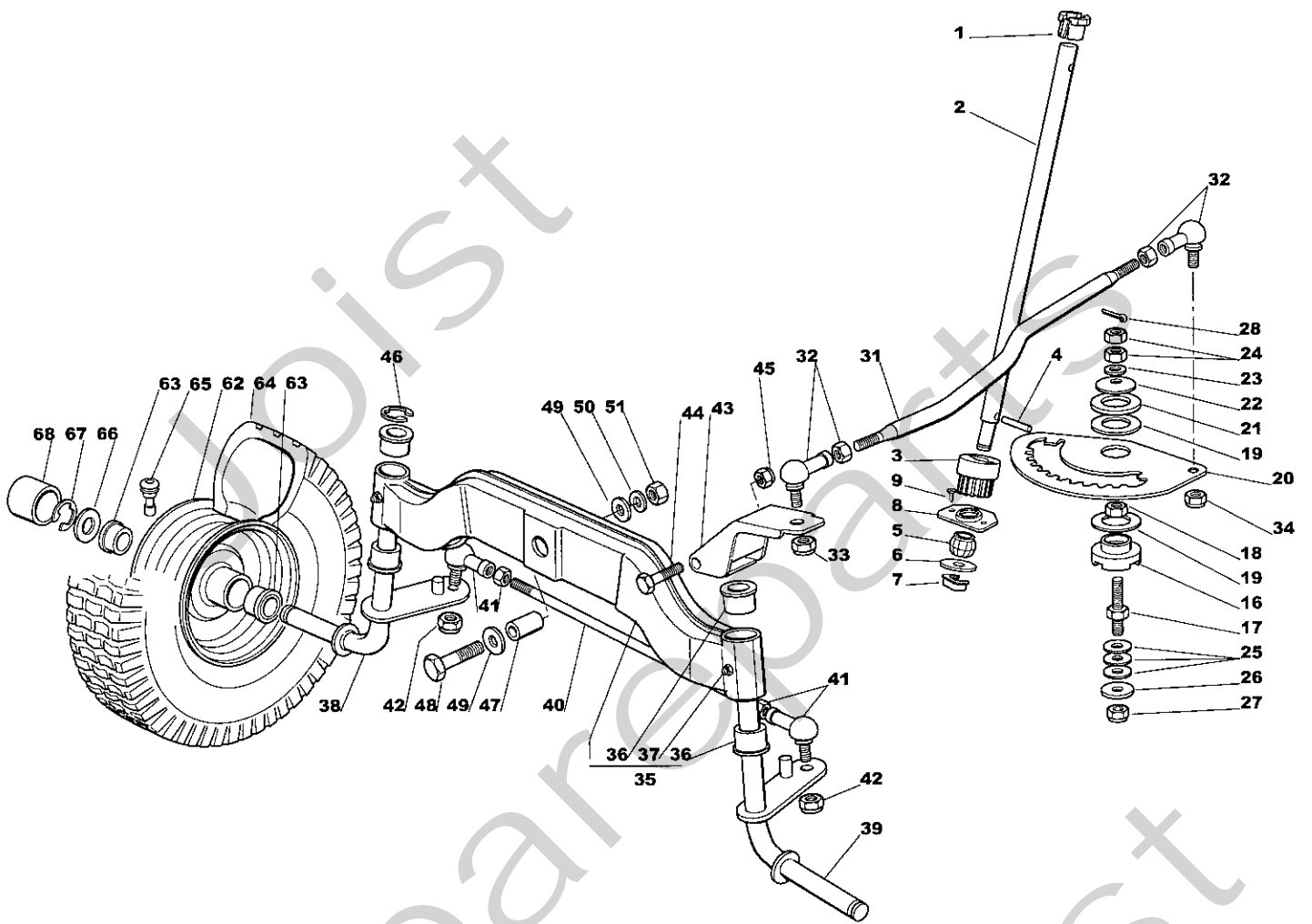
Utgåva Issue		Bildnr Picture No		ESTATE ROYAL ESTATE PRO DEKALER		ESTATE ROYAL ESTATE PRO LABELS		Sida Page	
2006-13		2081						134	
Pos. Fig.	Antal/Quantity			Art nr Part No	Benämning	Description	Sats Kit	Anmärkning Notes	
	2558 2559	2561 2562							
	1	1		1136-0025-01	Dekal	Label			
	8	1		1136-0038-01	Dekal	Label			
	9	1		1136-0030-01	Dekal	Label			
	10	2		1136-0021-01	Dekal	Label			
	13	1		1136-1218-01	Dekal	Label			
	14	1		1136-1635-01	Dekal	Label			
X	15	1		1136-2057-01	Dekal	Label			
X	16		1	1136-2056-01	Dekal	Label			
X	17	1	1	1136-2058-01	Dekal	Label			
X	18	1	1	1136-2055-01	Dekal	Label			
	99	1	1	1136-1451-01	Dekal "STIGA"	Label "STIGA"		Ø 55 mm	
	99	3	3	1136-1453-01	Dekal "STIGA"	Label "STIGA"		140 x 33 mm	
X	99	2		1136-2198-01	Dekal "Royal K"	Label "Royal K"		Ej ill/not ill.	
X	99		2	1136-2199-01	Dekal "Pro 20 K"	Label "Pro 20 K"		Ej ill/not ill.	
X	99		2	1136-2200-01	Dekal "Pro 22 K"	Label "Pro 22 K"		Ej ill/not ill.	
X	99	2		1136-2201-01	Dekal "Royal"	Label "Royal"		Ej ill/not ill.	



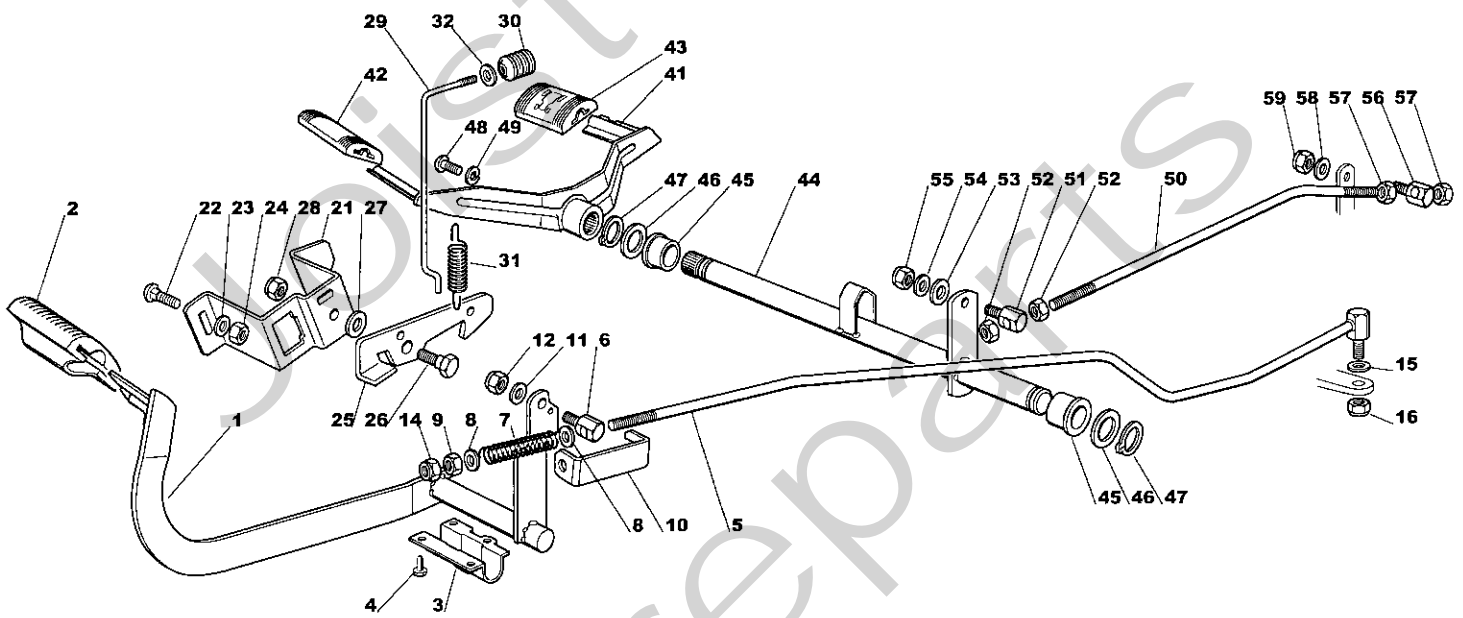
Utgåva Issue		Bildnr Picture No		ESTATE ROYAL ESTATE PRO CHASSI		ESTATE ROYAL ESTATE PRO CHASSIS		Sida Page
2006-13		1237E						136
Pos. Fig.	Antal/Quantity			Art nr Part No	Benämning	Description	Sats Kit	Anmärkning Notes
	2558 2559 2561 2562	2559 -11 2561 -11						
X 1	1	1		1136-1498-01	Ram.....	Frame.....		
2	1			1136-0514-01	Plåt- bakre.....	Plate- rear.....		
3	2	1		1136-2178-01	Plåt- bakre.....	Plate- rear.....		
4	2	2		9683-0040-02	Låsbricka.....	Lock washer.....		Electric tömning/dump
5	2	2		9799-1031-02	Mutter.....	Nut.....		
6	1	1		1136-0328-01	Förstärkning.....	Reinforcement.....		
7	1	1		9997-0835-12	Skruv.....	Screw.....		
8	2	2		9997-0820-16	Skruv.....	Screw.....		
9	1	1		9739-0831-22	Mutter.....	Nut.....		
10	1	1		1136-0511-01	Fotsteg- hö.....	Footboard support- RH.....		
11	4	4		1136-0512-01	Fotsteg- vä.....	Footboard support- LH.....		
12	4	4		9898-0645-12	Skruv.....	Screw.....		
13	4	4		9699-0060-02	Planbricka.....	Flat washer.....		
14	4	4		9747-0631-02	Låsmutter.....	Lock nut.....		
15	1	1		1136-0338-01	Sitsfäste.....	Seat support.....		
16	5	5		9997-0616-16	Skruv.....	Screw.....		
17	5	5		9739-0631-22	Mutter.....	Nut.....		
18	2	2		1136-0303-01	Förstärkning.....	Reinforcement.....		
19	6	6		9997-0616-16	Skruv.....	Screw.....		
20	6	6		9739-0631-22	Mutter.....	Nut.....		
21	1	1		1136-0304-01	Förstärkning.....	Reinforcement.....		
22	2	2		1136-0003-01	Fyrkantmutter.....	Square nut.....		
23	1	1		1136-0339-01	Stöd.....	Support.....		
24	4	4		9997-0616-16	Skruv.....	Screw.....		
25	4	4		9739-0631-22	Mutter.....	Nut.....		
26	1	1		1136-0267-01	Remstyrning.....	Belt guide.....		
27	2	2		9739-0631-22	Mutter.....	Nut.....		
28	1	1		1136-0340-01	Stöd.....	Support.....		
29	2	2		9848-8013-16	Skruv.....	Screw.....		
30	1	1		1136-0407-01	Plåt.....	Plate.....		
31	2	2		1136-1214-01	Skruv.....	Screw.....		
32	2	2		9683-0005-02	Låsbricka.....	Lock washer.....		
33	1	1		1136-0220-01	Fjäder.....	Spring.....		
34	1	1		9847-8009-16	Skruv.....	Screw.....		
35	1	1		9799-0831-02	Mutter.....	Nut.....		
36	2	2		9997-0820-16	Skruv.....	Screw.....		
37	2	2		9739-0831-22	Mutter.....	Nut.....		
38	1	1		1136-0524-01	Ram- övre.....	Frame- top.....		
39	4	4		9997-0816-16	Skruv.....	Screw.....		
40	4	4		9699-0035-02	Planbricka.....	Flat washer.....		
41	4	4		9739-0831-22	Mutter.....	Nut.....		
42	4	4		9847-8119-16	Skruv.....	Screw.....		
43	1	1		1136-1976-01	Distans.....	Spacer.....		
44	1	1		9997-0845-12	Skruv.....	Screw.....		
45	1	1		9739-0831-22	Mutter.....	Nut.....		
46	2	2		1136-0202-02	Fjäder.....	Spring.....		
47	2	2		1136-2141-01	Lock.....	Hood.....		
48	2	2		1136-0358-01	Skruv.....	Screw.....		
49	2	2		9739-0831-22	Mutter.....	Nut.....		
50	2	2		1136-0014-01	Bricka.....	Washer.....		
51	1	1		1136-0530-01	Sitsbygel.....	Seat clamp.....		
52	2	2		9997-0816-16	Skruv.....	Screw.....		
53	2	2		9739-0831-22	Mutter.....	Nut.....		
54	1	1		1136-0343-01	Sitsstöd.....	Seat support.....		
55	1	1		1136-0201-01	Fjäder.....	Spring.....		
56	1	1		9847-8009-16	Skruv.....	Screw.....		
57	2	2		1136-0086-01	Bult.....	Bolt.....		
58	2	2		9712-0831-02	Låsmutter.....	Lock nut.....		
59	1	1		1136-0342-01	Sitsfäste.....	Seat support.....		
60	1	1		1136-0184-01	Stopparm.....	Stop lever.....		
61	1	1		1136-0224-01	Axel.....	Pin.....		
62	1	1		1136-0200-01	Fjäder.....	Spring.....		
63	2	2		9675-0008-02	Starlock.....	Locking washer.....		



Utgåva Issue 2006-13		Bildnr Picture No 1237E		ESTATE ROYAL ESTATE PRO CHASSI		ESTATE ROYAL ESTATE PRO CHASSIS		Sida Page 138	
Pos. Fig.	Antal/Quantity			Art nr Part No	Benämning	Description	Sats Kit	Anmärkning Notes	
	2558 2559 2561 2562	2559 -11 2561 -11							
90	1	1		1136-0891-01	Fjäder.....	Spring			
91	1	1		9997-0512-16	Skruv.....	Screw.....			
92	1	1		9747-0531-02	Mutter.....	Nut			
93	1	1		1136-1227-01	Kam.....	Cam			
94	2	2		1136-0819-01	Skruv.....	Screw.....			
95	4	4		9699-0024-02	Planbricka.....	Flat washer.....			
96	2	2		1136-1212-01	Mutter.....	Nut			
97	1	1		1136-0925-01	Vinkelfäste.....	Angle bracket.....			
98	2	2		9848-8013-16	Skruv.....	Screw.....			
99	2	2		1136-0010-01	Låsplatta.....	Lock plate			



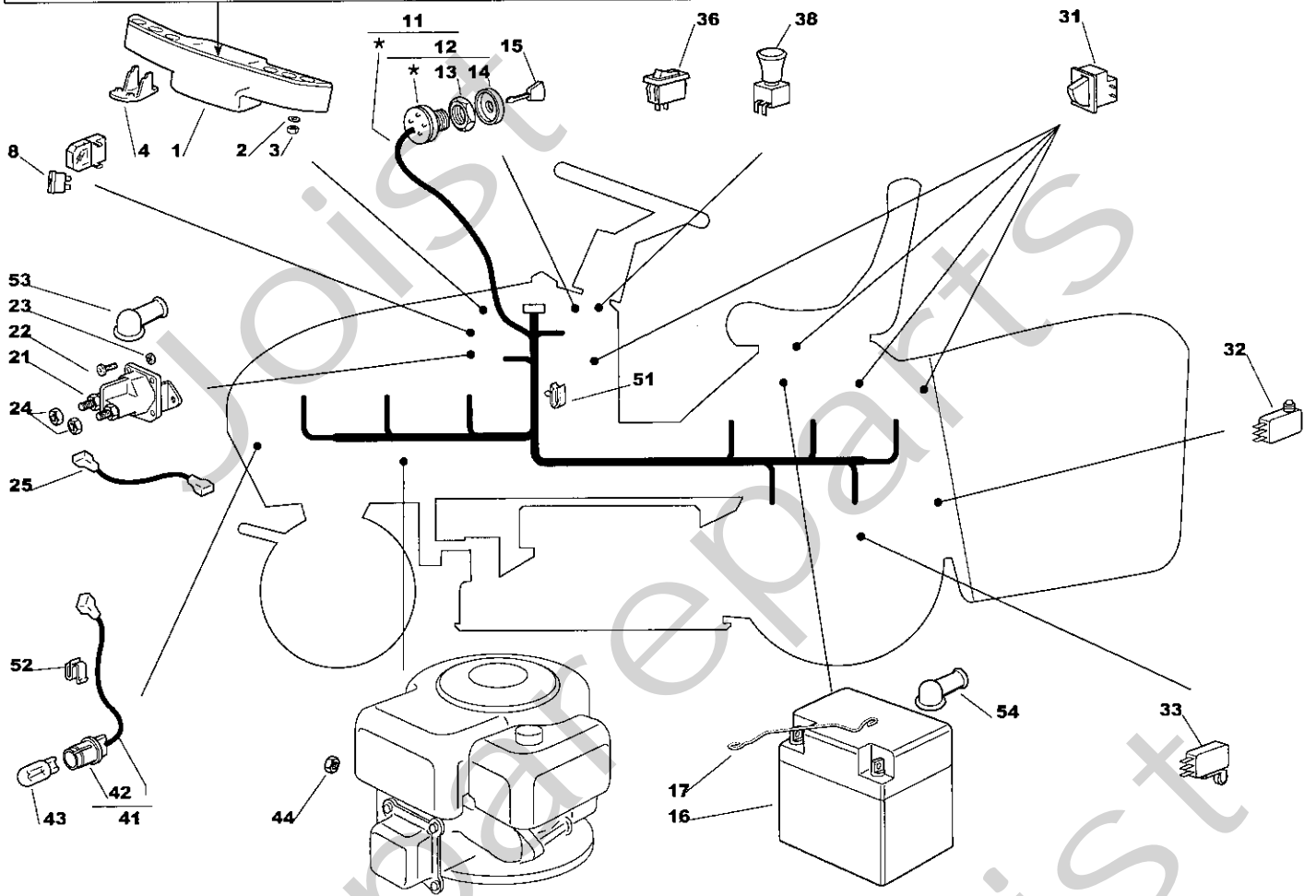
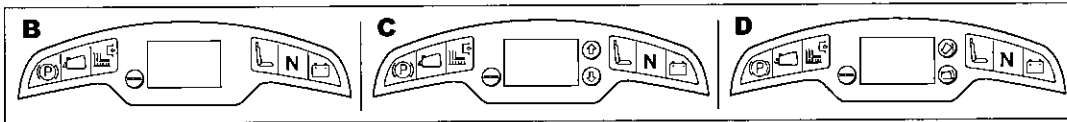
Utgåva Issue 2006-13		Bildnr Picture No 1239D		ESTATE ROYAL ESTATE PRO STYRNING		ESTATE ROYAL ESTATE PRO STEERING		Sida Page 140	
Pos. Fig.	Antal/Quantity			Art nr Part No	Benämning	Description	Sats Kit	Anmärkning Notes	
	2558	2559	2561 2562						
X	1	1		1136-1469-01	Bussning	Bushing			
	2	1		1136-1472-01	Rattstång	Steering column			
	3	1		1136-0263-02	Styrdrev	Steering pinion			
	4	1		9595-0262-00	Spännstift	Locating pin			
	5	1		1136-1473-01	Länk	Joint			
	6	1		9699-0037-02	Bricka	Washer			
	7	1		1136-0008-01	Låsplatta	Lock plate			
	8	1		1136-1477-01	Stöd	Support			
	9	2		9847-8116-16	Skruv	Screw			
	16	1		1136-0128-01	Bussning	Bushing			
	17	1		1136-0246-01	Pinnbult	Stud bolt			
	18	1		9799-1031-02	Mutter	Nut			
	19	2		1136-0310-01	Bricka	Washer			
	20	1		1136-0320-01	Styrsektor	Steering sector			
	21	1		1136-0311-01	Bricka	Washer			
	22	1		1136-0083-01	Fjäderbricka	Elastic washer			
	23	1		9699-0035-02	Planbricka	Flat washer			
	24	2		9799-1031-02	Mutter	Nut			
	25	3		1136-0087-01	Bricka	Washer			
	26	1		1136-0015-01	Bricka	Washer			
	27	1		9747-1031-02	Låsmutter	Lock nut			
	28	1		9599-0070-02	Saxsprint	Split pin			
	31	1		1136-0106-01	Styrstag	Steering rod			
	32	2		1136-0092-01	Kulled	Ball joint			
	33	1		9747-1031-02	Låsmutter	Lock nut			
	34	1		9747-1031-02	Låsmutter	Lock nut			
	35	1		1136-0465-01	Framaxel kpl	Front wheel axle assy		Inkl. pos 36, 37	
	36	4		1136-0121-01	• Bussning	• Bushing			
	37	2		9501-0500-00	• Smörjnippel	• Grease joint			
	38	1		1136-1810-01	Hjulspindel- hö	Stub axle- RH			
	39	1		1136-1809-01	Hjulspindel- vä	Stub axle- LH			
	40	1		1136-0345-01	Parallellstag	Tie rod			
	41	2		1136-0092-01	Kulled	Ball joint			
	42	2		9747-1031-02	Låsmutter	Lock nut			
	43	1		1136-1811-01	Styrarm	Steering arm			
	44	1		9997-0860-16	Skruv	Screw			
	45	1		9747-0831-02	Mutter	Lock nut			
	46	1		9652-0015-04	Låsring	Retaining ring			
	47	1		1136-0160-01	Distans	Spacer			
	48	1		9997-1680-12	Skruv	Screw			
	49	2		9699-0104-02	Bricka	Washer			
	50	1		9683-0065-02	Låsbricka	Lock washer			
	51	1		9799-1631-02	Mutter	Nut			
	62	2		1136-0454-01	Fälg	Rim			
	63	4		1136-0157-01	Lager	Bearing			
X	64	2		1136-2131-01	Däck (Kenda)	Tire (Kenda)			
	65	2		9545-0500-00	Ventil	Valve			
	66	2		1136-0305-01	Bricka	Washer			
	67	2		9652-0015-04	Låsring	Retaining ring			
	68	2		1136-0081-01	Navkapsel	Hub cap			



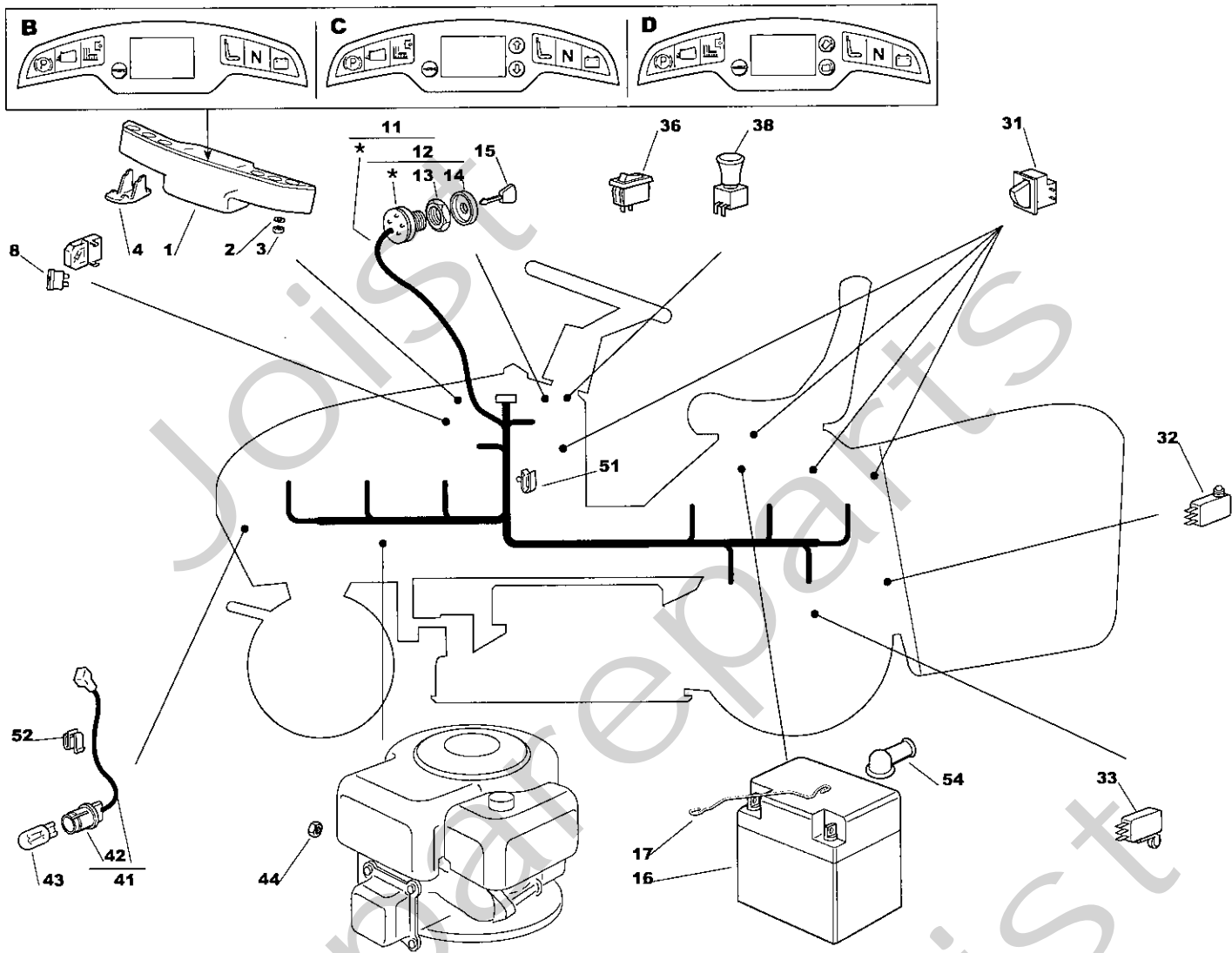
Spareparts Joist

Utgåva Issue		Bildnr Picture No		ESTATE ROYAL ESTATE PRO BROMSREGLAGE DRIVREGLAGE		ESTATE ROYAL ESTATE PRO BRAKE CONTROL DRIVE CONTROL		Sida Page	
2006- 13		1240						142	
Pos. Fig.	Antal/Quantity			Art nr Part No	Benämning	Description	Sats Kit	Anmärkning Notes	
	2558	2559	2561 2562						
1	1			1136-0508-01	Bromspedal	Brake pedal			
2	1			1136-0151-01	Pedalskydd	Pedal cover			
3	1			1136-0258-01	Bygel	Clamp			
4	4			9847-8016-16	Skruv	Screw			
5	1			1136-0453-01	Bromsstång	Brake rod			
6	1			1136-0239-01	Ledbult	Pivot bolt			
7	1			1136-0218-01	Fjäder	Spring			
8	2			9699-0035-02	Planbricka	Flat washer			
9	1			9799-1031-02	Mutter	Nut			
10	1			1136-0329-01	Bygel	Clamp			
11	1			9699-0090-02	Planbricka	Flat washer			
12	1			9747-0831-02	Mutter	Lock nut			
14	1			9747-1031-02	Låsmutter	Lock nut			
15	1			9699-0090-02	Planbricka	Flat washer			
16	1			9747-0831-02	Mutter	Lock nut			
21	1			1136-0341-01	Fäste	Support			
22	2			9898-0620-16	Skruv	Screw			
23	1			9699-0060-02	Planbricka	Flat washer			
24	2			9747-0631-02	Låsmutter	Lock nut			
25	1			1136-0178-01	Spärrhake	Hook			
26	1			1136-0086-01	Bult	Bolt			
27	1			1136-0309-01	Bricka	Washer			
28	1			9747-0831-02	Mutter	Lock nut			
29	1			1136-2067-01	Stång	Rod			
30	1			1136-0196-01	Knopp	Knob			
31	1			1136-0205-01	Fjäder	Spring			
32	1			9699-0018-02	Bricka	Washer			
41	1			1136-0509-01	Drivpedal	Drive pedal			
42	1			1136-0149-01	Pedalskydd- fram	Pedal cover- front			
43	1			1136-0150-01	Pedalskydd- bak	Pedal cover- rear			
44	1			1136-0451-01	Pedalaxel	Pedal axle			
45	2			1136-0078-01	Bussning	Bushing			
46	2			1136-0090-01	Bricka	Washer			
47	2			9650-0020-04	Spårring	Circlip			
48	1			9939-0816-16	Skruv	Screw			
49	1			9683-0030-02	Låsbricka	Lock washer			
50	1			1136-0113-01	Stag	Drive rod			
51	1			1136-0241-01	Ledbult	Pivot bolt			
52	2			9799-0831-02	Mutter	Nut			
53	1			9699-0035-02	Planbricka	Flat washer			
54	1			9699-0060-02	Planbricka	Flat washer			
55	1			9747-0631-02	Låsmutter	Lock nut			
56	1			1136-0241-01	Ledbult	Pivot bolt			
57	2			9799-0831-02	Mutter	Nut			
58	1			9699-0060-02	Planbricka	Flat washer			
59	1			9747-0631-02	Låsmutter	Lock nut			

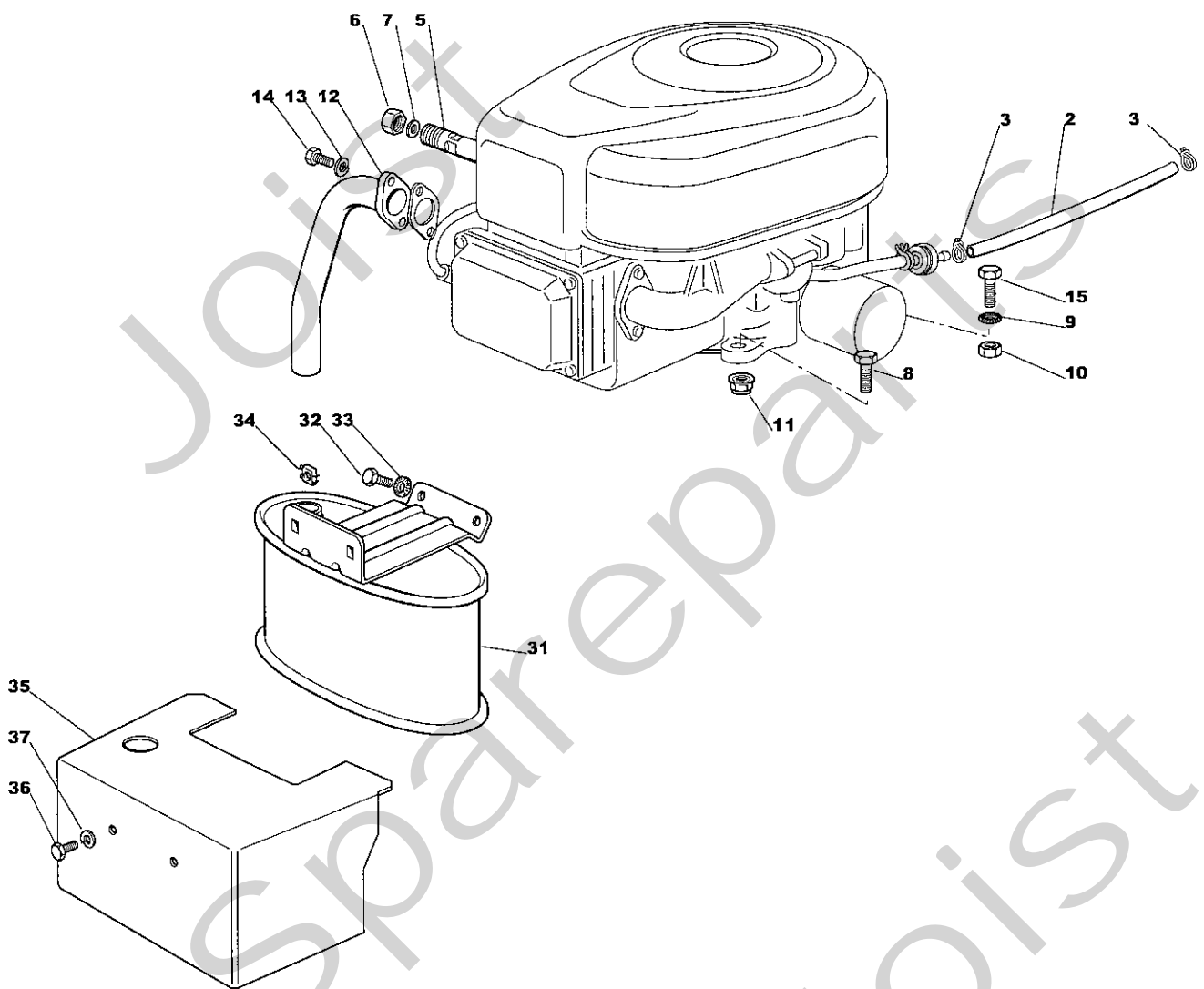
X



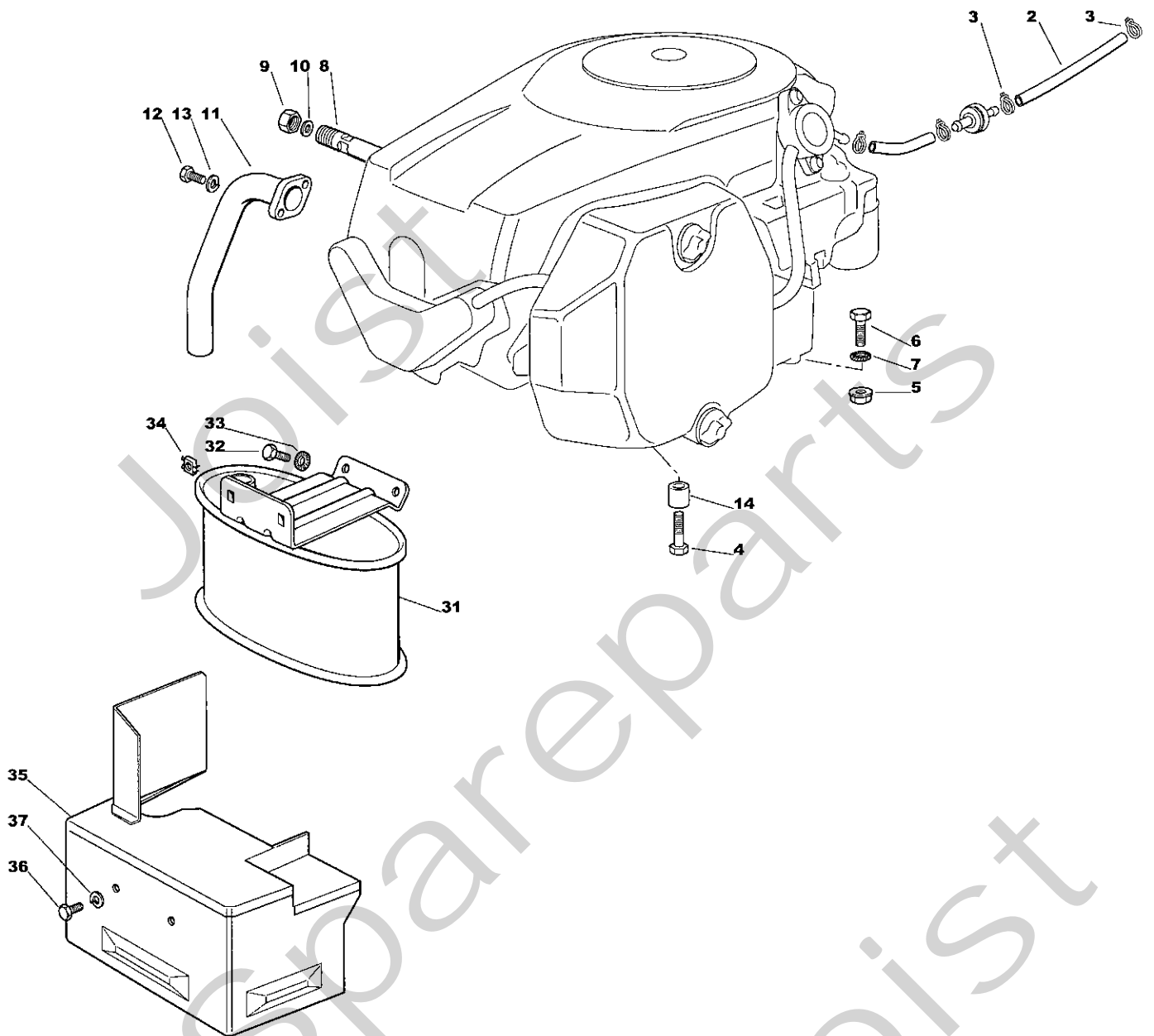
Utgåva Issue 2006- 13		Bildnr Picture No 2082		ESTATE ROYAL ELUTRUSTNING (B&S, Kohler 18)		ESTATE ROYAL EL. EQUIPMENT (B&S, Kohler 18)		Sida Page 144	
Pos. Fig.	Antal/Quantity			Art nr Part No	Benämning	Description	Sats Kit	Anmärkning Notes	
	2558	2559 -11	2559 -41						
X	1	1		1136-2183-01	Kort + skydd (B)	Cards + guard (B)			
X	1		1	1136-2184-01	Kort + skydd (D)	Cards + guard (D)			
X	1		1	1136-2185-01	Kort + skydd (C)	Cards + guard (C)			
	2	2	2	9699-0024-02	Planbricka	Flat washer			
	3	2	2	9747-0531-02	Mutter	Nut			
X	4	1	1	1136-2064-01	Deflektor	Deflector			
	8		1	1136-1794-01	Säkring	Fuse		15 A	
X	8	1	1	1136-2031-01	Säkring	Fuse		10 A	
X	8	1	1	1136-2161-01	Säkring	Fuse		25 A	
X	11	1	1	1136-2172-01	Kabelhärva	Cable harness		Inkl. pos 12	
	12	1	1	1136-0056-01	• Tändningslås	• Ignition switch		Inkl. pos 13 - 14	
	13	1	1	1136-0049-01	•• Mutter	•• Nut			
	14	1	1	1134-4097-01	•• Täckkåpa	•• Cap			
X	15	1	1	1136-2028-01	Tändningsnyckel	Ignition key			
	16	1	1	1134-4804-01	Batteri	Battery			
	17	1	1	1136-0215-01	Fjäder	Spring			
	21	1	1	1136-0064-01	Startrelä	Solenoid			
	22	2	2	9997-0616-16	Skruv	Screw			
	23	2	2	9739-0631-22	Mutter	Nut			
	24	2	2	9794-5131-02	Mutter	Nut			
	25	1	1	1136-0132-01	Kabel	Cable			
	31	3	3	1136-0073-01	Mikrobrytare	Micro switch			
	32	1	1	1136-0072-01	Mikrobrytare	Micro switch			
	33	1	1	1136-0076-01	Mikrobrytare	Micro switch			
	36	1	1	1136-0055-01	Brytare	Switch			
X	38	1	1	1136-2061-01	Brytare	Switch			
X	41	1	1	1136-2166-01	Kabel	Cable		Inkl. pos 42	
	42	2	2	1136-0429-01	• Lamphållare	• Lamp holder			
	43	2	2	1136-0058-01	Glödlampa	Bulb			
	44	1	1	9795-3531-02	Mutter	Nut			
	51	5	5	1136-0427-01	Kabelhållare	Cable holder			
	52	1	1	1136-0426-01	Kabelhållare	Cable holder			
	53	1	1	1136-0059-01	Polskydd	Protection			
	54	1	1	1136-0060-01	Polskydd	Protection			



Utgåva Issue 2006- 13		Bildnr Picture No 2083		ESTATE PRO ELUTRUSTNING (Kohler 20- 22)		ESTATE PRO EL. EQUIPMENT (Kohler 20- 22)		Sida Page 146	
Pos. Fig.	Antal/Quantity			Art nr Part No	Benämning	Description	Sats Kit	Anmärkning Notes	
	2562	2561							
X	1	1		1136-2183-01	Kort + skydd (B)	Cards + guard (B)			
X	1		1	1136-2184-01	Kort + skydd (D)	Cards + guard (D)			
	2	2	2	9699-0024-02	Planbricka.....	Flat washer.....			
	3	2	2	9747-0531-02	Mutter.....	Nut.....			
X	4	1	1	1136-2064-01	Deflektor.....	Deflector.....			
	8		1	1136-1794-01	Säkring.....	Fuse.....		15 A	
X	8	1	1	1136-2031-01	Säkring.....	Fuse.....		10 A	
X	8	1	1	1136-2161-01	Säkring.....	Fuse.....		25 A	
X	11	1	1	1136-2172-01	Kabelhärva.....	Cable harness.....		Inkl. pos 12	
	12	1	1	1136-0056-01	• Tändningslås.....	• Ignition switch.....		Inkl. pos 13 - 14	
	13	1	1	1136-0049-01	•• Mutter.....	•• Nut.....			
	14	1	1	1134-4097-01	•• Täckkåpa.....	•• Cap.....			
X	15	1	1	1136-2028-01	Tändningsnyckel.....	Ignition key.....			
	16	1	1	1134-4804-01	Batteri.....	Battery.....			
	17	1	1	1136-0215-01	Fjäder.....	Spring.....			
	31	3	3	1136-0073-01	Mikrobrytare.....	Micro switch.....			
	32	1	1	1136-0072-01	Mikrobrytare.....	Micro switch.....			
	33	1	1	1136-0076-01	Mikrobrytare.....	Micro switch.....			
	36	1	1	1136-0055-01	Brytare.....	Switch.....			
X	38	1	1	1136-2061-01	Brytare.....	Switch.....			
X	41	1	1	1136-2166-01	Kabel.....	Cable.....		Inkl. pos 42	
	42	2	2	1136-0429-01	• Lamphållare.....	• Lamp holder.....			
	43	2	2	1136-0058-01	Glödlampa.....	Bulb.....			
	44	1	1	9795-3531-02	Mutter.....	Nut.....			
	51	5	5	1136-0427-01	Kabelhållare.....	Cable holder.....			
	52	1	1	1136-0426-01	Kabelhållare.....	Cable holder.....			
	54	1	1	1136-0060-01	Polskydd.....	Protection.....			



Utgåva Issue		Bildnr Picture No		ESTATE ROYAL MOTOR (B&S 31G777)		ESTATE ROYAL ENGINE (B&S 31G777)		Sida Page	
2006-13		1560B						148	
Pos. Fig.	Antal/Quantity			Art nr Part No	Benämning	Description	Sats Kit	Anmärkning Notes	
	2558 -11								
2	1			1136-0354-01	Bränsleslang.....	Fuel hose.....			
3	2			1136-0045-01	Slangklämma.....	Hose clamp.....			
5	1			1136-0273-01	Oljeavtappningsrör.....	Oil drain tube.....			
6	1			1136-0066-01	Oljeavtappningsplugg.....	Oil drain plug.....			
7	1			1136-0054-01	Tätningring.....	Oil seal.....			
8	3			9997-0835-12	Skruv.....	Screw.....		L = 35 mm	
9	1			9677-0009-02	Låsbricka.....	Lock washer.....			
10	1			9739-0831-22	Mutter.....	Nut.....			
11	3			9739-0831-22	Mutter.....	Nut.....			
12	1			1136-0067-01	Avgasrör.....	Exhaust tube.....			
13	2			9683-0030-02	Låsbricka.....	Lock washer.....			
14	2			9988-3619-16	Skruv.....	Screw.....			
15	1			9997-0840-16	Skruv.....	Screw.....		L = 40 mm	
31	1			1136-1054-01	Ljuddämpare.....	Muffler.....			
32	2			9997-0820-16	Skruv.....	Screw.....			
33	2			9677-0009-02	Låsbricka.....	Lock washer.....			
34	2			1136-0004-01	Fyrkantmutter.....	Square nut.....			
35	1			1136-1048-01	Skydd.....	Guard.....			
36	2			9997-0816-16	Skruv.....	Screw.....			
37	2			9683-0030-02	Låsbricka.....	Lock washer.....			

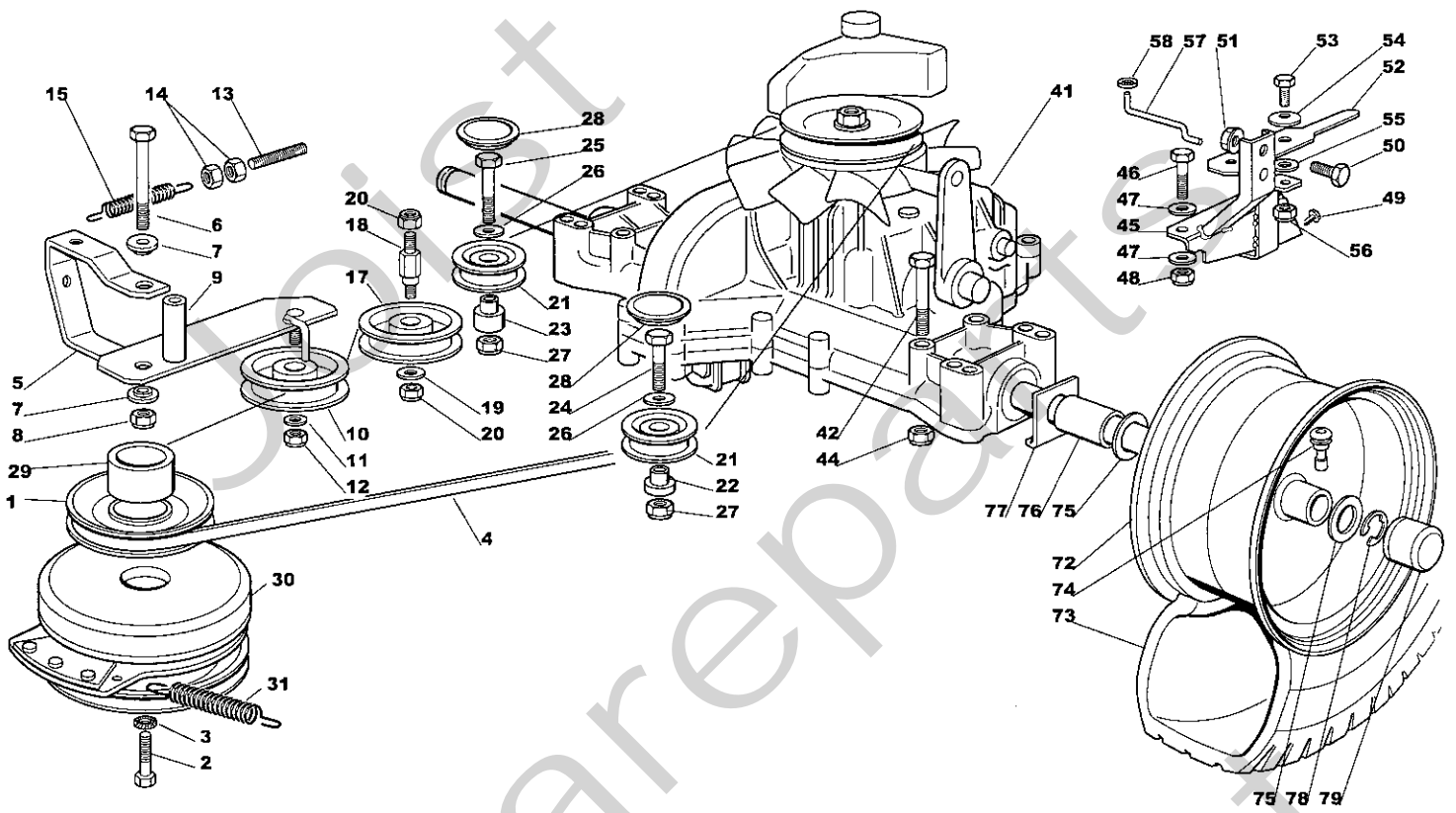


Utgåva Issue 2006-13		Bildnr Picture No 1863A		ESTATE ROYAL MOTOR (Kohler 18)		ESTATE ROYAL ENGINE (Kohler 18)		Sida Page 150	
Pos. Fig.	Antal/Quantity			Art nr Part No	Benämning	Description	Sats Kit	Anmärkning Notes	
	2559 -11 -41								
X 2	1			1136-0354-01	Bränsleslang.....	Fuel hose.....			
3	2			1136-0045-01	Slangklämma.....	Hose clamp.....			
4	3			1136-2051-01	Skruv.....	Screw.....			
5	1			9739-0831-22	Mutter.....	Nut.....			
6	1			9997-0840-16	Skruv.....	Screw.....			
7	1			9677-0009-02	Låsbricka.....	Lock washer.....			
8	1			1136-0413-01	Oljeavtappningsrör.....	Oil drain pipe.....			
9	1			1136-0066-01	Oljeavtappningsplugg.....	Oil drain plug.....			
10	1			1136-0054-01	Tätningring.....	Oil seal.....			
11	1			1136-1780-01	Avgasrör.....	Exhaust tube.....			
12	2			9988-3619-16	Skruv.....	Screw.....			
13	2			9683-0030-02	Låsbricka.....	Lock washer.....			
X 14	3			1136-2097-01	Distans.....	Spacer.....			
31	1			1136-1054-01	Ljuddämpare.....	Muffler.....			
32	2			9997-0820-16	Skruv.....	Screw.....			
33	2			9677-0009-02	Låsbricka.....	Lock washer.....			
34	2			1136-0004-01	Fyrkantmutter.....	Square nut.....			
35	1			1136-1812-01	Skydd.....	Guard.....			
36	2			9997-0816-16	Skruv.....	Screw.....			
37	2			9683-0030-02	Låsbricka.....	Lock washer.....			

Utgåva Issue		Bildnr Picture No		ESTATE PRO MOTOR (Kohler 20- 22)		ESTATE PRO ENGINE (Kohler 20- 22)		Sida Page	
2006- 13		1866A						152	
Pos. Fig.	Antal/Quantity			Art nr Part No	Benämning	Description	Sats Kit	Anmärkning Notes	
	2561 -11	2562 -11							
2	1			1136- 0354- 01	Bränsleslang.....	Fuel hose.....			
3	2			1136- 0045- 01	Slangklämma.....	Hose clamp.....			
5	1			1136- 0273- 01	Oljeavtappningsrör.....	Oil drain tube.....			
6	1			1136- 0066- 01	Oljeavtappningsplugg.....	Oil drain plug.....			
7	1			1136- 0054- 01	Tätningring.....	Oil seal.....			
8	3			1136- 1774- 01	Skruv.....	Screw.....			
9	1			9739- 0831- 22	Mutter.....	Nut.....			
10	1			9997- 0840- 16	Skruv.....	Screw.....			
11	1			9677- 0009- 02	Låsbricka.....	Lock washer.....			
12	1			1136- 1776- 01	Avgasrör- hö.....	Exhaust tube- RH.....			
13	1			1136- 1777- 01	Avgasrör- vä.....	Exhaust tube- LH.....			
14	4			9739- 0831- 22	Mutter.....	Nut.....			
31	1			1136- 1053- 01	Ljuddämpare.....	Muffler.....			
32	2			9997- 0820- 16	Skruv.....	Screw.....			
33	2			9677- 0009- 02	Låsbricka.....	Lock washer.....			
34	2			1136- 0004- 01	Fyrkantmutter.....	Square nut.....			
35	1			1136- 2179- 01	Skydd.....	Guard.....			
36	2			9997- 0816- 16	Skruv.....	Screw.....			
37	2			9683- 0030- 02	Låsbricka.....	Lock washer.....			

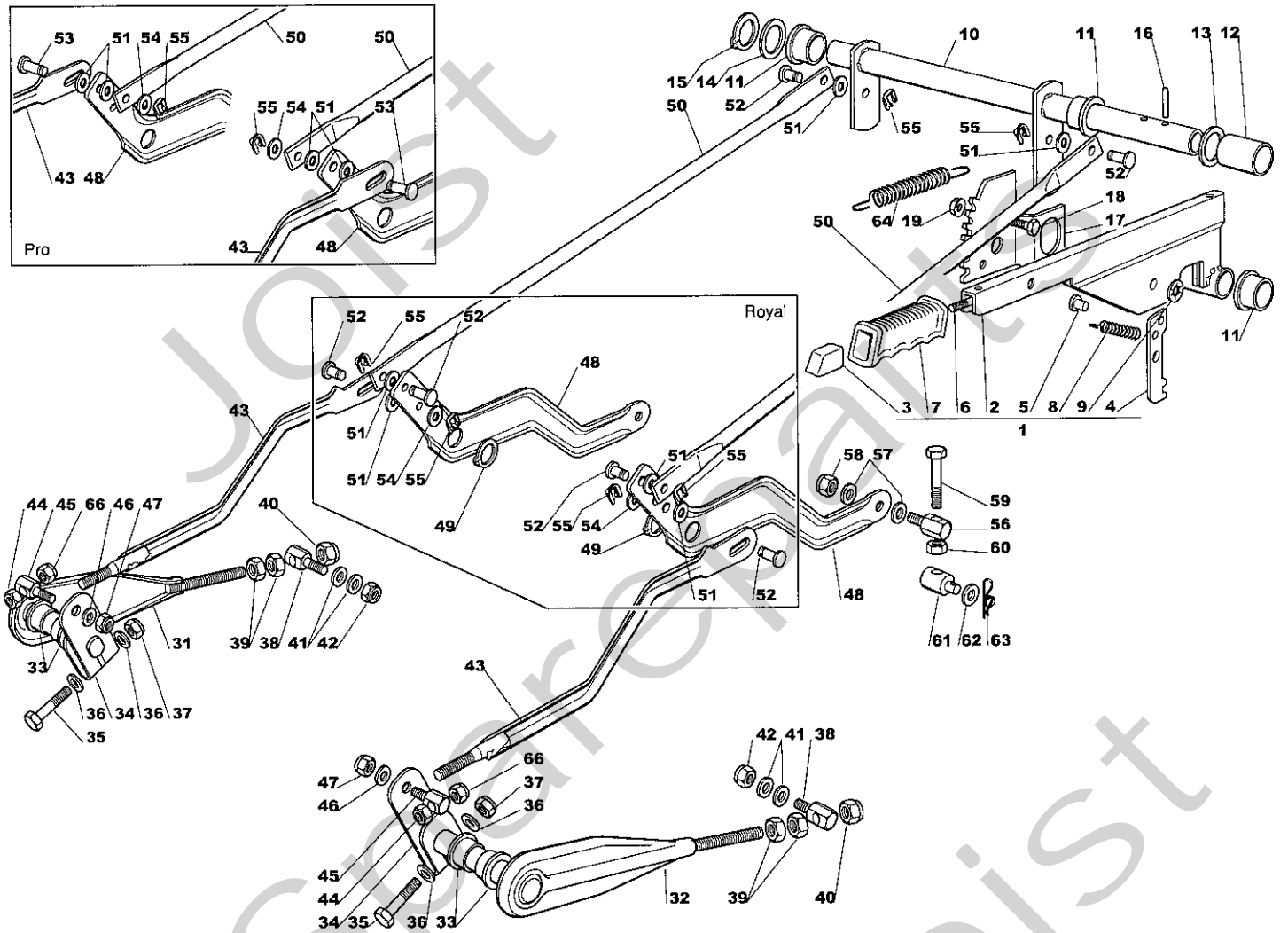
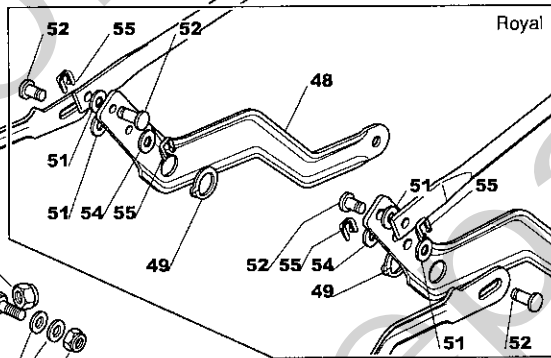
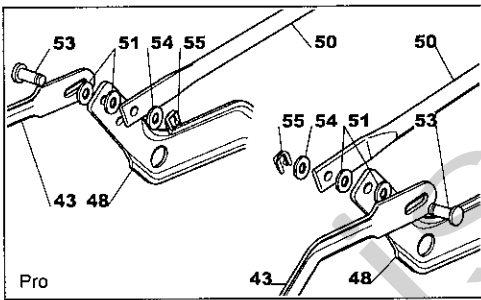
X

Joist Spareparts

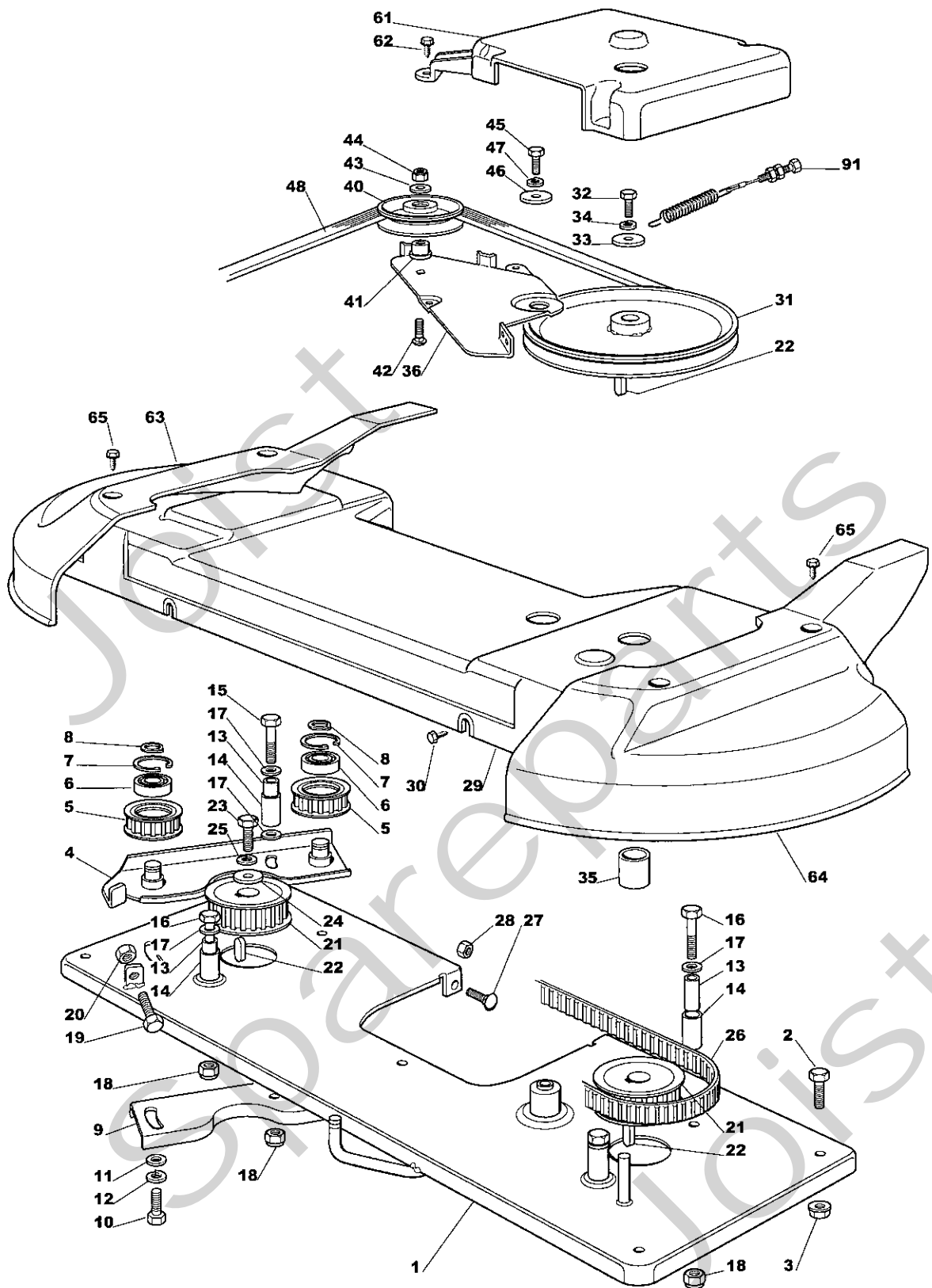


Utgåva Issue		Bildnr Picture No		ESTATE ROYAL ESTATE PRO TRANSMISSION		ESTATE ROYAL ESTATE PRO TRANSMISSION		Sida Page
2006-13		1242B						154
Pos. Fig.	Antal/Quantity			Art nr Part No	Benämning	Description	Sats Kit	Anmärkning Notes
	2558	2559	2561 2562					
1	1			1136-0297-01	Motorremskiva	Engine belt pulley		
2	1			9987-5376-12	Skruv	Screw		
3	1			9683-0045-02	Bricka	Washer		
4	1			1136-0434-01	Kilrem	V-belt		
5	1			1136-0499-01	Spännarm	Tension arm		
6	1			9997-0875-12	Skruv	Screw		
7	2			1136-0123-01	Bussning	Bushing		
8	1			9747-0831-02	Mutter	Lock nut		
9	1			1136-0173-01	Distans	Spacer		
10	1			1136-0289-01	Spännrulle	Idler pulley		
11	1			9699-0056-02	Planbricka	Flat washer		
12	1			9747-0831-02	Mutter	Lock nut		
13	1			1136-0351-01	Spännstång	Tie rod		
14	2			9799-0831-02	Mutter	Nut		
15	1			1136-0208-01	Fjäder	Spring		
17	1			1136-0290-01	Remrulle	Belt roller		
18	1			1136-0234-01	Pinnbult	Stud bolt		
19	1			9699-0056-02	Planbricka	Flat washer		
20	2			9747-0831-02	Mutter	Lock nut		
21	2			1136-0915-01	Remrulle	Belt roller		
22	1			1136-0174-01	Distans-vä	Spacer-LH		
23	1			1136-0170-01	Distans-hö	Spacer-RH		
24	1			9997-0840-16	Skruv	Screw		
25	1			9997-0850-16	Skruv	Screw		
26	2			9699-0056-02	Planbricka	Flat washer		
27	2			9747-0831-02	Mutter	Lock nut		
28	2			1136-0868-01	Lock	Cover		
29	1			1136-0168-01	Distans	Spacer		
30	1			1136-0048-01	Elektromagn. koppling	Elektromagn. clutch		
31	1			1136-0204-01	Fjäder	Spring		
41	1			1136-0052-01	Transaxel	Transaxle		Kanzaki K46F
42	4			9997-0860-16	Skruv	Screw		
44	4			9739-0831-22	Mutter	Nut		
45	1			1136-0542-01	Fäste	Support		
46	1			9997-0845-12	Skruv	Screw		
47	2			9699-0090-02	Planbricka	Flat washer		
48	1			9747-0831-02	Mutter	Lock nut		
49	2			9847-8216-16	Skruv	Screw		
50	1			9997-0816-16	Skruv	Screw		
51	1			9739-0831-22	Mutter	Nut		
52	1			1136-0190-01	Arm	Lever		
53	1			9997-0820-16	Skruv	Screw		
54	1			1136-0006-01	Fjäderbricka	Elastic washer		
55	1			1136-0309-01	Bricka	Washer		
56	1			9747-0831-02	Mutter	Lock nut		
57	1			1136-0114-01	Stag	Rod		
58	1			9675-0009-02	Starlock	Starlock		
72	2			1136-0455-01	Fälg	Rim		
73	2			1136-2132-01	Däck (Kenda)	Tire (Kenda)		
74	2			9545-0500-00	Ventil	Valve		
75	4			1136-0305-01	Bricka	Washer		
76	2			1136-0169-01	Distans	Spacer		
77	2			1136-0312-01	Bricka	Washer		
78	2			9652-0015-04	Låsring	Retaining ring		
79	2			1136-0081-01	Navkapsel	Hub cap		

X

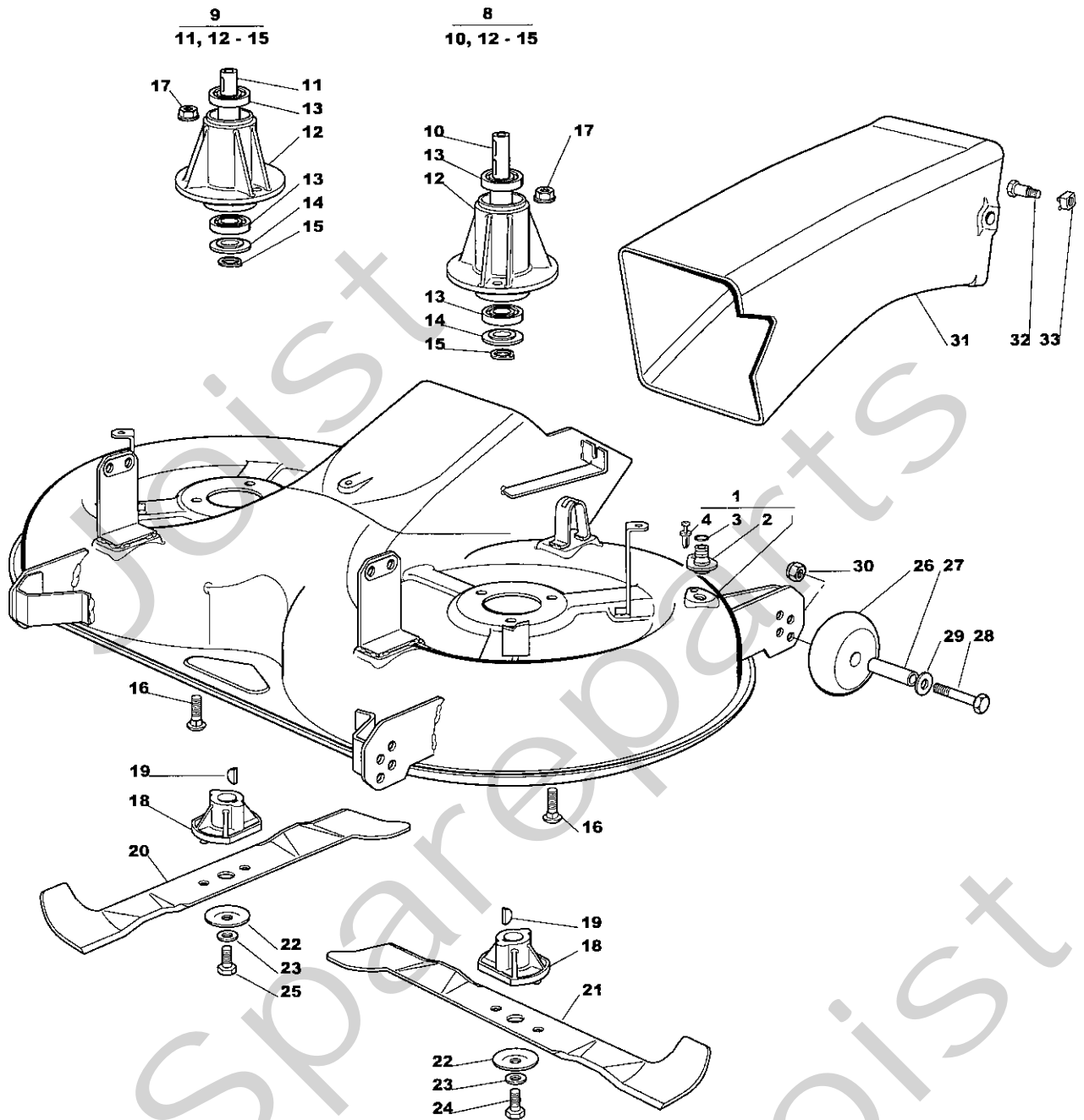


Utgåva Issue 2006- 13		Bildnr Picture No 1243B		ESTATE ROYAL ESTATE PRO AGGREGATSLYFT		ESTATE ROYAL ESTATE PRO MOWER DECK LIFT		Sida Page 156	
Pos. Fig.	Antal/Quantity			Art nr Part No	Benämning	Description	Sats Kit	Anmärkning Notes	
	2558 2559 2562	2561							
1	1	1		1136-0487-01	Lyftspak kpl	Lift lever assy		Inkl. pos 2 - 9	
2	1	1		1136-0493-01	• Lyftspak	• Lift lever			
3	1	1		1136-0298-01	• Tryckknapp	• Button			
4	1	1		1136-0222-01	• Spärrhake	• Dog			
5	1	1		1136-0227-01	• Sprint	• Pin			
6	1	1		1136-0105-01	• Tryckstång	• Push rod			
7	1	1		1136-0193-01	• Handtag	• Handle			
8	1	1		1136-0203-01	• Fjäder	• Spring			
9	1	1		9675-0012-02	• Starlock	• Locking washer			
10	1	1		1136-0450-01	Lyftaxel	Lift axle			
11	3	3		1136-0078-01	Bussning	Bushing			
12	1	1		1136-0171-01	Distans	Spacer			
13	1	1		1136-0090-01	Bricka	Washer			
14	1	1		9699-0119-02	Bricka	Washer			
15	1	1		9650-0020-04	Spärring	Circlip			
16	2	2		9595-0235-00	Spännstift	Locating pin			
17	1	1		1136-0319-01	Höjdställn.segment	Height adjust sector			
18	2	2		9997-0816-16	Skruv	Screw			
19	2	2		9739-0831-22	Mutter	Nut			
31	1			1136-0497-01	Lyftarm fram- hö	Lift lever front- RH			
31		1		1136-1041-01	Lyftarm fram- hö	Lift lever front- RH			
32	1			1136-0498-01	Lyftarm fram- vä	Lift lever front- LH			
32		1		1136-1042-01	Lyftarm fram- vä	Lift lever front- LH			
33	4	4		1136-0127-01	Bussning	Bushing			
34	2	2		1136-0191-01	Lyftarm	Lift arm			
35	2	2		9997-0890-12	Skruv	Screw			
36	4	4		9699-0090-02	Planbricka	Flat washer			
37	2	2		9747-0831-02	Mutter	Lock nut			
38	2	2		1136-0243-01	Ledbult	Pivot bolt			
39	4	4		9799-1031-02	Mutter	Nut			
40	2	2		9747-1031-02	Låsmutter	Lock nut			
41	4	4		1136-0308-01	Bricka	Washer			
42	2	2		9747-1031-02	Låsmutter	Lock nut			
43	2	2		1136-0449-01	Förbindningsstång- fr	Connecting rod- front			
44	2	2		9747-0831-02	Mutter	Lock nut			
45	2	2		1136-0242-01	Ledbult	Pivot bolt			
46	2	2		9699-0090-02	Planbricka	Flat washer			
47	2	2		9747-0831-02	Mutter	Lock nut			
48	2	2		1136-0189-01	Lyftarm- bak	Lift lever- rear			
49	2	2		9650-0019-04	Låsring	Retainer ring			
50	2	2		1136-0112-01	Förbindningsstång- bak	Connecting rod- rear			
51	6	6		1136-0309-01	Bricka	Washer			
52	6	2		1136-0240-01	Sprint	Pin			
53		2		1136-0898-01	Sprint	Pin			
54	2	2		9699-0090-02	Planbricka	Flat washer			
55	6	4		1136-0009-01	Låsplatta	Lock plate			
56	2	2		1136-0243-01	Ledbult	Pivot bolt			
57	4	4		1136-0308-01	Bricka	Washer			
58	2	2		9747-1031-02	Låsmutter	Lock nut			
59	2	2		9997-1010-02	Skruv	Screw			
60	2	2		9799-1031-02	Mutter	Nut			
61	2	2		1136-0899-01	Ledbult	Pivot bolt			
62	2	2		1136-0808-01	Bricka	Washer			
63	2	2		9598-0002-02	Låsnål	Pin lock			
64	1	1		1136-0207-01	Fjäder	Spring			
66	2	2		9799-0831-02	Mutter	Nut			

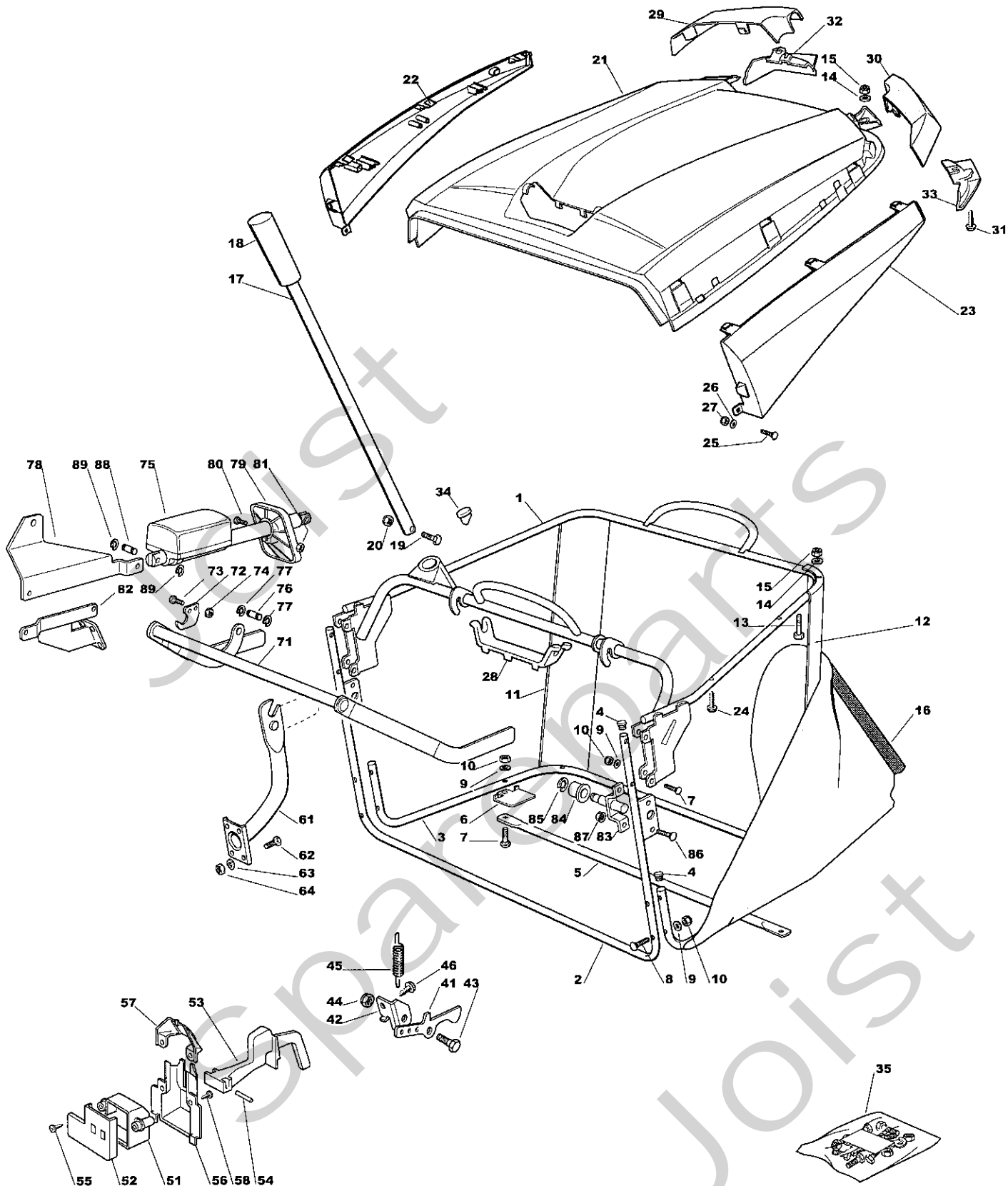


Utgåva Issue 2006- 13		Bildnr Picture No 1244B		ESTATE ROYAL ESTATE PRO AGGREGATSINKOPPLING		ESTATE ROYAL ESTATE PRO MOWER DECK ENGAGEMENT		Sida Page 158	
Pos. Fig.	Antal/Quantity			Art nr Part No	Benämning	Description	Sats Kit	Anmärkning Notes	
	2558 2559 2562	2561							
1	1			1136-0513-01	Remtransm.platta	Belt transm. plate			
1		1		1136-1043-01	Remtransm.platta	Belt transm. plate			
2	4	4		9997-0816-16	Skruv	Screw			
3	4	4		9739-0831-22	Mutter	Nut			
4	1	1		1136-0539-01	Fäste	Support			
5	2			1136-0293-01	Remrulle	Belt roller			
5		2		1136-0913-01	Remrulle	Belt roller			
6	2	2		1136-0070-01	Kullager	Ball bearing			
7	2	2		9651-0035-04	Låsring	Lock ring			
8	2	2		9650-0015-04	Låsring	Lock ring			
9	1	1		1136-0299-01	Förstärkning	Reinforcement			
10	2	2		9997-0820-16	Skruv	Screw			
11	2	2		9699-0090-02	Planbricka	Flat washer			
12	2	2		9683-0030-02	Låsbricka	Lock washer			
13	4	4		1136-0159-01	Distans	Spacer			
14	4	4		1136-0122-01	Bussning	Bushing			
15	1	1		9997-0890-12	Skruv	Screw			
16	3	3		9997-0845-12	Skruv	Screw			
17	5	5		9699-0090-02	Planbricka	Flat washer			
18	4	4		9747-0831-02	Mutter	Lock nut			
19	1	1		9997-0860-16	Skruv	Screw			
20	1	1		9799-0831-02	Mutter	Nut			
21	2			1136-0294-01	Kuggremskiva	Toothed belt pulley			
21		2		1136-0914-01	Kuggremskiva	Toothed belt pulley			
22	3	3		1136-0001-01	Kil	Key			
23	1	1		9997-0820-16	Skruv	Screw			
24	1	1		1136-0307-01	Bricka	Washer			
25	1	1		9683-0030-02	Låsbricka	Lock washer			
26	1			1136-0436-01	Kuggrem	Toothed belt			
26		1		1136-1024-01	Kuggrem	Toothed belt			
27	3	3		9898-0616-16	Skruv	Screw			
28	3	3		9739-0631-22	Mutter	Nut			
29	1			1136-0129-01	Remhus	Belt housing			
29		1		1136-0863-01	Remhus	Belt housing			
30	6	6		9848-8013-16	Skruv	Screw			
31	1			1136-0288-01	Remskiva	Belt pulley			
31		1		1136-0912-01	Remskiva	Belt pulley			
32	1	1		9997-0820-16	Skruv	Screw			
33	1	1		1136-0307-01	Bricka	Washer			
34	1	1		9683-0030-02	Låsbricka	Lock washer			
35	1	1		1136-0158-01	Distans	Spacer			
36	1			1136-0185-01	Bromsarm	Brake lever			
36		1		1136-0884-01	Bromsarm	Brake lever			
40	1	1		1136-0290-01	Remrulle	Belt roller			
41	1	1		1136-0161-01	Distans	Spacer			
42	1	1		9898-0835-12	Skruv	Screw			
43	1	1		9699-0056-02	Planbricka	Flat washer			
44	1	1		9747-0831-02	Mutter	Lock nut			
45	1	1		9997-0820-16	Skruv	Screw			
46	1	1		1136-0014-01	Bricka	Washer			
47	1	1		9683-0030-02	Låsbricka	Lock washer			
48	1			1136-0435-01	Kilrem	V- belt			
48		1		1136-1023-01	Kilrem	V- belt			
61	1			1136-0284-01	Remskydd	Belt guard			
61		1		1136-0908-01	Remskydd	Belt guard			
62	3	3		1136-0816-01	Skruv	Screw			
63	1	1		1136-2069-01	Skydd	Guard			
64	1	1		1136-2070-01	Skydd	Guard			
65	4	4		1136-0816-01	Skruv	Screw			
91	1			1136-0462-01	Wire	Wire			
91		1		1136-1034-01	Wire	Wire			

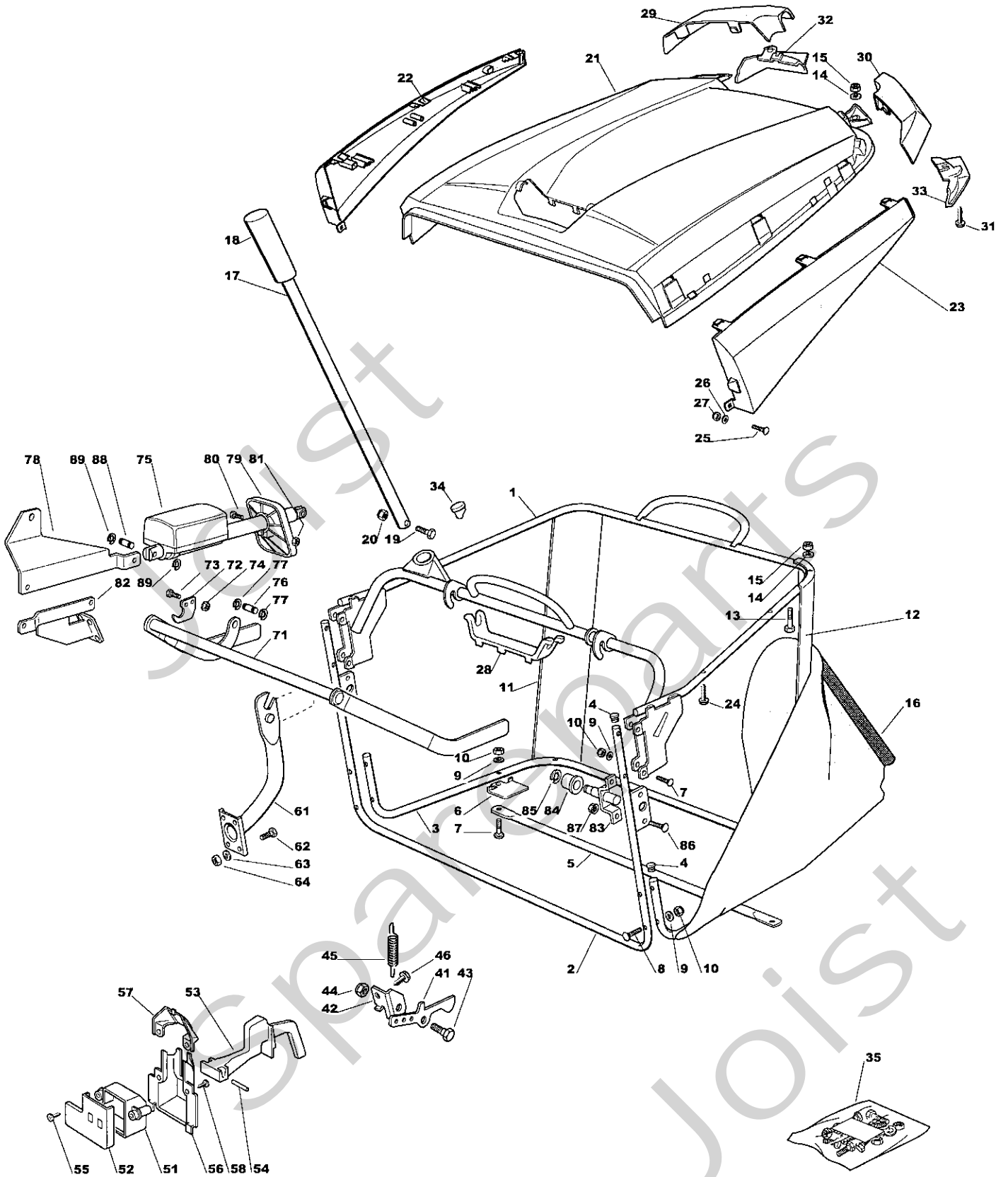
X
X



Utgåva Issue 2006-13		Bildnr Picture No 1245B		ESTATE ROYAL ESTATE PRO KLIPPAGGREGAT		ESTATE ROYAL ESTATE PRO MOWER DECK		Sida Page 160	
Pos. Fig.	Antal/Quantity			Art nr Part No	Benämning	Description	Sats Kit	Anmärkning Notes	
	2558 2559 2562	2561							
1	1			1136-1045-01	Klippaggregatskåpa	Mower deck casing		Inkl. pos 2 - 4	
1		1		1136-1046-01	Klippaggregatskåpa	Mower deck casing		Inkl. pos 2 - 4	
2	2	2		1136-0120-01	• Vattenslangnippel	• Water hose connection.....			
3	2	2		1136-0068-01	• O-ring	• O-ring			
4	2	2		1136-0012-01	• Nit	• Rivet			
8	1	1		1136-0479-01	Lagerbox kpl	Bearing box assy		Inkl. pos 10, 12 - 15	
9	1	1		1136-0480-01	Lagerbox kpl	Bearing box assy		Inkl. pos 11, 12 - 15	
10	1	1		1136-0097-01	• Knivaxel	• Blade shaft			
11	1	1		1136-0098-01	• Knivaxel	• Blade shaft			
13	4	4		1136-0069-01	• Kullager	• Ball bearing			
14	2	2		1136-0176-01	• Dammskydd	• Dust cover			
15	2	2		9650-0020-04	• Spårring	• Circlip			
16	6	6		9898-0825-16	Skruv	Screw			
17	6	6		9739-0831-22	Mutter	Nut			
18	2	2		1136-0221-01	Knivfäste	Blade hub			
19	2	2		9600-0014-00	Kil	Key			
20	1			1136-1031-01	Kniv-hö	Blade- RH			
20		1		1136-1033-01	Kniv-hö	Blade- RH			
21	1			1136-1030-01	Kniv-vä	Blade- LH			
21		1		1136-1032-01	Kniv-vä	Blade- LH			
22	2	2		1136-0083-01	Fjäderbricka	Elastic washer			
23	2	2		1136-0015-01	Bricka	Washer			
24	1	1		9987-5238-12	Knivbult	Blade bolt			
25	1	1		1136-0018-01	Knivbult (vä-gängad)	Blade bolt (L thread)			
26	4	4		1136-1052-01	Stödhjul	Anti scalp wheel			
27	4	4		1136-0900-01	Distans	Spacer			
28	4	4		9997-0880-16	Skruv	Screw			
29	4	4		9699-0056-02	Planbricka	Flat washer			
30	4	4		9739-0831-22	Mutter	Nut			
31	1	1		1136-0140-01	Utkaströr	Discharge chute			
32	2	2		1136-0238-01	Bult	Pin bolt			
33	2	2		1136-0004-01	Fyrkantmutter	Square nut			



Utgåva Issue		Bildnr Picture No		ESTATE ROYAL ESTATE PRO UPPSAMLARE		ESTATE ROYAL ESTATE PRO GRASS CATCHER		Sida Page	
2006-13		2084						162	
Pos. Fig.	Antal/Quantity			Art nr Part No	Benämning	Description	Sats Kit	Anmärkning Notes	
	2558 2559 - 41 2562	2559 - 11 2561							
X	1	1	1	1136-2188-01	Ram- övre	Frame- upper			
X	2	1	1	1136-2189-01	Ram- främre	Frame- front			
X	3	1	1	1136-2147-01	Ram- undre	Frame- lower			
	4	4	4	1136-0061-01	Plugg	Cap	S		
X	5	1	1	1136-2180-01	Förstärkning- undre	Reinforcement- lower			
X	6	1	1	1136-2129-01	Platta	Plate	S		
X	7	6	6	1136-2053-01	Skruv	Screw	S		
	8	4	4	9898-0645-12	Skruv	Screw	S		
	9	10	10	9699-0035-02	Planbricka	Flat washer	S		
	10	10	10	9747-0631-02	Låsmutter	Lock nut	S		
X	11	1	1	1136-2065-01	Vinkelstöd- hö	Angle support- RH			
X	12	1	1	1136-2066-01	Vinkelstöd- vä	Angle support- LH			
	13	4	4	9997-0640-12	Skruv	Screw	S		
	14	8	8	9699-0035-02	Planbricka	Flat washer	S		
	15	8	8	9747-0631-02	Låsmutter	Lock nut	S		
X	16	1	1	1136-2173-01	Uppsamlingsäck	Grass bag			
	17	1	1	1136-0355-01	Spak	Lever			
	18	1	1	1136-0195-01	Handtag	Handle			
X	19	1	1	1136-2049-01	Skruv	Screw	S		
	20	1	1	9747-0631-02	Låsmutter	Lock nut	S		
X	21	1	1	1136-2092-01	Lock	Grass catcher cover			
X	22	1	1	1136-2077-01	Kåpa- hö	Cover- RH			
X	23	1	1	1136-2078-01	Kåpa- vä	Cover- LH			
	24	4	4	9836-9635-12	Skruv	Screw	S		
X	25	2	2	1136-2053-01	Skruv	Screw	S		
	26	2	2	9699-0035-02	Planbricka	Flat washer	S		
	27	2	2	9747-0631-02	Låsmutter	Lock nut	S		
X	28	1	1	1136-2123-01	Handtagssäpka	Handle cover			
X	29	1	1	1136-2098-01	Kåpa- hö	Cover- RH			
X	30	1	1	1136-2099-01	Kåpa- vä	Cover- LH			
	31	4	4	1136-0816-01	Skruv	Screw	S		
X	32	1	1	1136-2107-01	Vinkelfäste- hö	Angle- RH			
X	33	1	1	1136-2108-01	Vinkelfäste- vä	Angle- LH			
X	34	1	1	1136-2094-01	Propp	Cap	T		
X	35	1	1	1136-2174-01	Skruvsats	Screw set		Innehåller S	
X	35	1	1	1136-2175-01	Skruvsats	Screw set		Innehåller S + T	
	41	1	1	1136-1475-01	Fäste	Bracket			
	42	1	1	1136-1474-01	Fäste	Bracket			
	43	1	1	1136-1470-01	Sprint	Pin			
	44	1	1	9739-0631-22	Mutter	Nut			
	45	1	1	1136-0204-01	Fjäder	Spring			
	46	1	1	1136-1465-01	Skruv	Screw			
	51	1	1	1136-0280-01	Brytarskydd	Micro protection			
	52	1	1	1136-0281-01	Skyddslock	Protection cover			
	53	1	1	1136-0186-01	Brytararm	Switch lever			
	54	1	1	1136-0007-01	Axel	Pin			
	55	1	1	9847-8013-16	Skruv	Screw			
	56	1	1	1136-0282-01	Brytarskydd	Micro protection			
	57	1	1	1136-0283-01	Skyddslock	Protection cover			
	58	2	2	9847-8019-16	Skruv	Screw			
	61	2	2	1136-0532-01	Fäste	Support			
X	61	2	2	1136-2186-01	Fäste	Support			
	62	6	6	9997-0820-16	Skruv	Screw	S		
	63	6	6	9699-0056-02	Planbricka	Flat washer	S		
	64	6	6	9739-0831-22	Mutter	Nut	S		
X	71	1	1	1136-2164-01	Axel	Axle			
X	72	2	2	1136-2143-01	Platta	Plate	T		
	73	4	4	9898-0620-16	Skruv	Screw	T		
	74	4	4	9747-0631-02	Låsmutter	Lock nut	T		
X	75	1	1	1136-2059-01	Ställdon	Actuator			
X	76	1	1	1136-2128-01	Sprint	Pin	T		
	77	2	2	1136-1211-01	Låsring	Snap ring	T		
X	78	1	1	1136-2144-01	Fäste	Support			



Utgåva Issue		Bildnr Picture No		ESTATE ROYAL ESTATE PRO UPPSAMLARE		ESTATE ROYAL ESTATE PRO GRASS CATCHER		Sida Page	
2006- 13		2084						164	
Pos. Fig.	Antal/Quantity			Art nr Part No	Benämning	Description	Sats Kit	Anmärkning Notes	
	2558 2559 - 41 2562	2559 - 11 2561							
X	79	1		1136-2138-01	Skydd	Protection			
X	80	1		1136-2050-01	Skruv	Screw			
	81	1		9747-0531-02	Mutter	Nut			
X	82	1		1136-2181-01	Förstärkning	Reinforcement			
X	83	2		1136-2187-01	Fäste	Support	T		
X	84	2		1136-2139-01	Hylsa	Roll	T		
X	85	2		1136-2046-01	Låsring	Lock ring	T		
	86	4		1136-0825-01	Skruv	Screw	T		
	87	4		9739-0831-22	Mutter	Nut	T		
X	88	1		1136-2128-01	Sprint	Pin			
	89	2		1136-1211-01	Låsring	Snap ring			