

Genuine Spare Parts

www.stiga.com

GARDEN COMPACT EV - 2T0030281/SF1 Model Year 2011

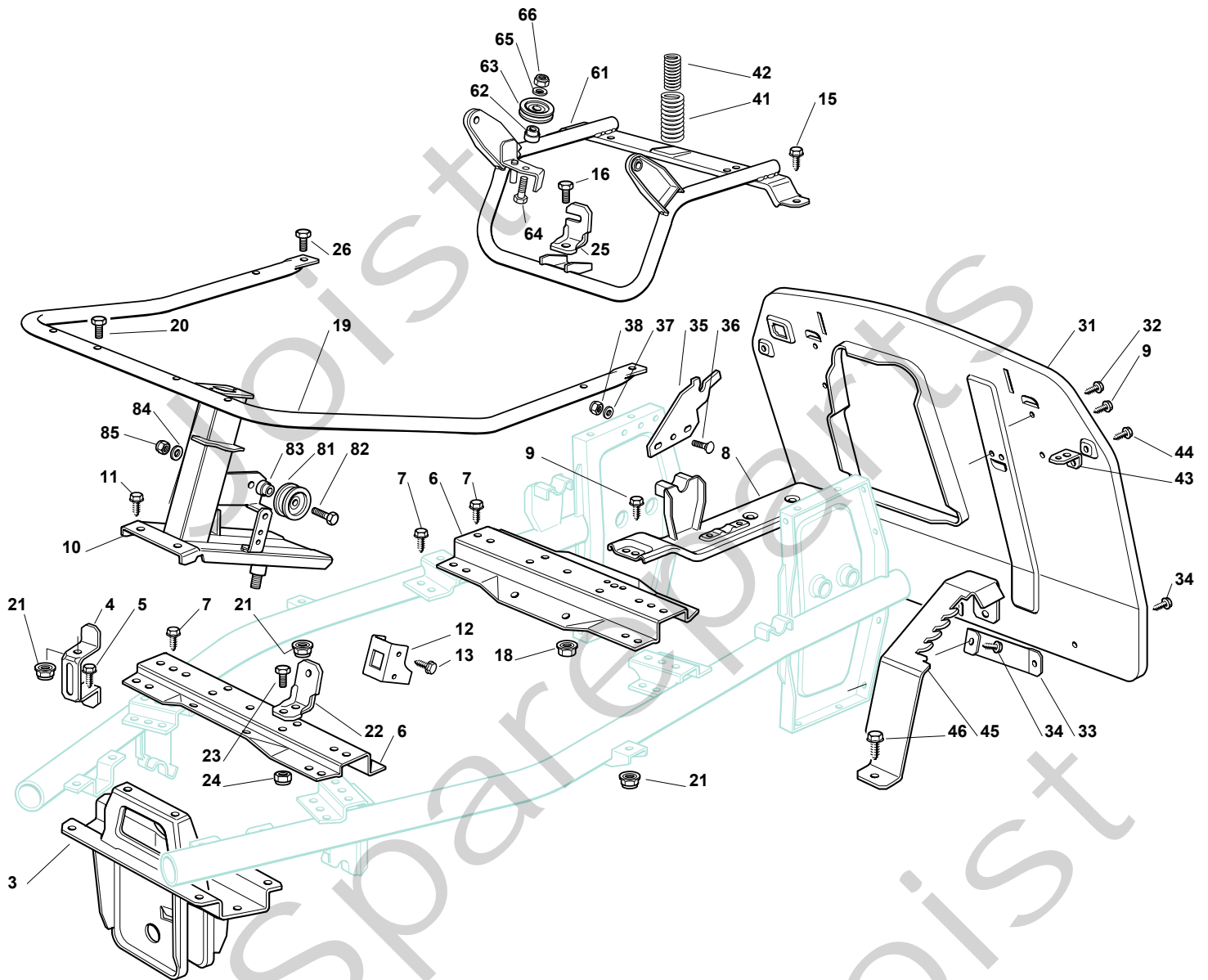
- Use GLOBAL GARDEN PRODUCT Genuine Spare Parts specified in the parts list for repair and/or replacement.
- The contents described in the parts list may change due to improvement.
- The drawings of the spare parts are only indicative and might not represent the part in question exactly.
- The indications "right" - "left" - "front" - "rear" refer to the position of the operator when using the machine.
- When placing orders of parts for repair and/or replacement, make sure that the illustrated parts list is the one applying to the machine's year of manufacture, as shown on the identification plate attached to the machine.

COPYRIGHT by GLOBAL GARDEN PRODUCTS

All rights reserved. No part of this material may be reproduced or transmitted, in any form or by any means, electronic or mechanical, including photocopying, recording or by any information storage and retrieval system, without permission in writing from GLOBAL GARDEN PRODUCTS.



GARDEN COMPACT EV

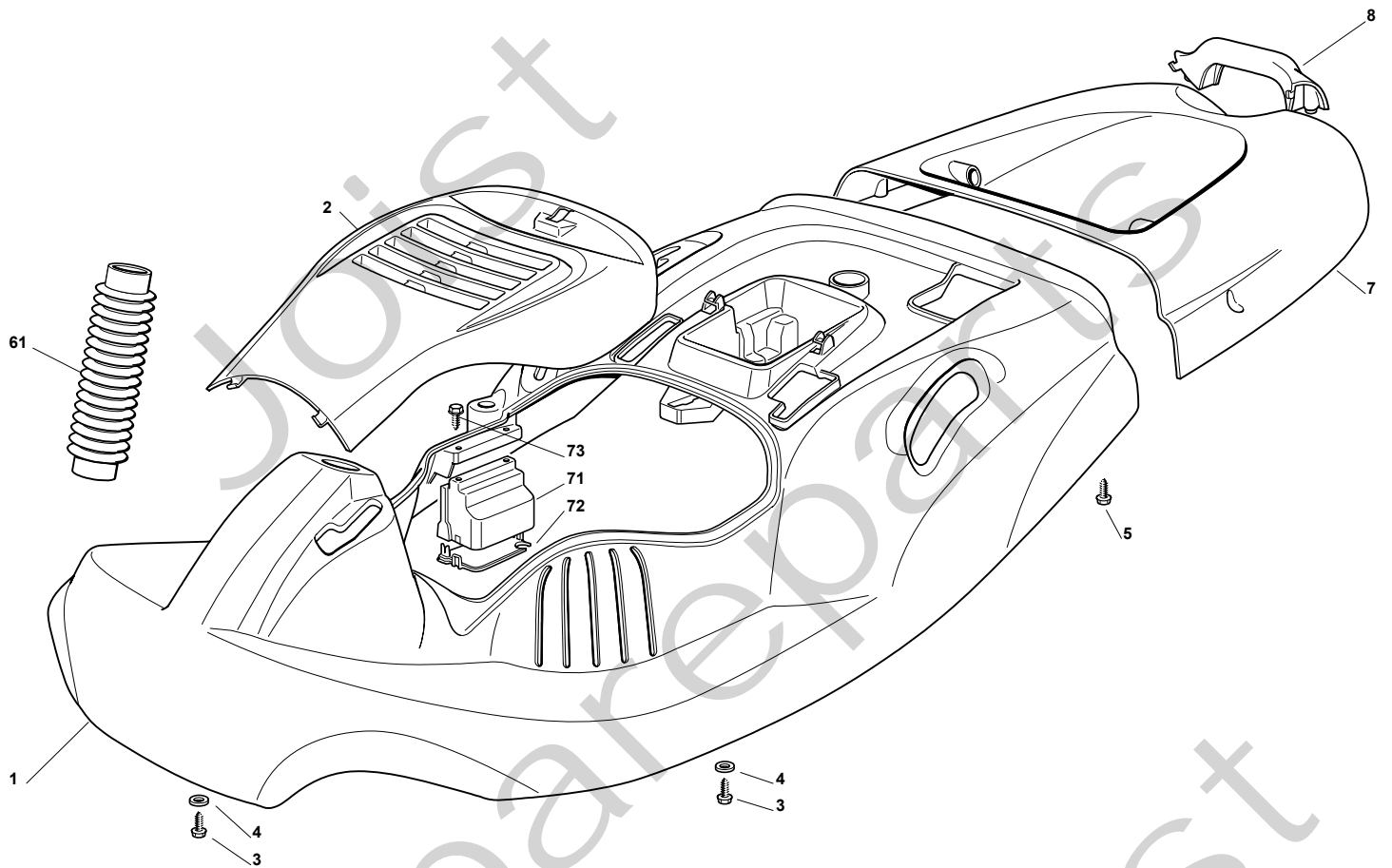




GARDEN COMPACT EV

| Pos. Fig. | Antal Quantity | Art No Part No | Benämning | Description | Anmärkning Notes |
|-----------|----------------|----------------|--------------|---------------|------------------|
| 3 | 1 | 84783015/1 | Stöd | Support | |
| 4 | 2 | 27772121/0 | Fäste | Clamp | |
| 5 | 6 | 12735121/0 | Skruv | Screw | |
| 6 | 2 | 27650115/1 | Trådbygel | Stiffening | |
| 7 | 10 | 12735121/0 | Skruv | Screw | |
| 8 | 1 | 84650105/0 | Reduktion | Stiffening | |
| 9 | 4 | 12735121/0 | Skruv | Screw | |
| 10 | 1 | 384783055/0 | Support | Support | |
| 11 | 6 | 12735121/0 | Skruv | Screw | |
| 12 | 1 | 27772095/0 | Klämma | Support | |
| 13 | 2 | 12735105/0 | Skruv | Screw | |
| 15 | 2 | 12735121/0 | Skruv | Screw | |
| 16 | 1 | 12793701/0 | Skruv | Screw | |
| 18 | 1 | 12293201/0 | Mutter | Nut | |
| 19 | 1 | 27869057/0 | Support | Support | |
| 20 | 2 | 12792099/0 | Skruv | Screw | |
| 21 | 4 | 12154510/0 | Mutter | Nut | |
| 22 | 1 | 27773077/0 | Fästvinkel | Angle Bracket | |
| 23 | 1 | 12791011/0 | Skruv | Screw | |
| 24 | 1 | 12154510/0 | Mutter | Nut | |
| 25 | 1 | 27753081/0 | Fästvinkel | Angle Bracket | |
| 26 | 2 | 12791500/0 | Skruv | Screw | |
| 31 | 1 | 84545061/0 | Platta | Rear Plate | |
| 32 | 4 | 12735121/0 | Skruv | Screw | |
| 33 | 2 | 27650111/0 | Reduktion | Stiffening | |
| 34 | 4 | 12735121/0 | Skruv | Screw | |
| 35 | 2 | 27772131/0 | Fäste | Clamp | |
| 36 | 2 | 12818690/0 | Skruv | Screw | |
| 37 | 2 | 12521350/0 | Bricka | Washer | |
| 38 | 2 | 12155000/0 | Mutter | Nut | |
| 41 | 1 | 27430567/0 | Fjäder | Spring | |
| 42 | 1 | 27430569/1 | Fjäder | Spring | |
| 43 | 2 | 27753073/0 | Fästvinkel | Angle Bracket | |
| 44 | 2 | 12729600/0 | Skruv | Screw | |
| 45 | 1 | 27734059/0 | Sector | Rack | |
| 46 | 2 | 12735121/0 | Skruv | Screw | |
| 61 | 1 | 384801141/0 | Seat Support | Support | |
| 62 | 1 | 22170910/0 | Stift | Pin | |
| 63 | 1 | 81003375/1 | Stödhjul | Wheel (B&S) | |
| 64 | 1 | 12691200/0 | Skruv | Right Screw | |
| 65 | 1 | 12523060/0 | Bricka | Washer | |
| 66 | 1 | 12155000/0 | Mutter | Nut | |
| 81 | 1 | 81003375/1 | Stödhjul | Wheel (B&S) | |
| 82 | 1 | 12691200/0 | Skruv | Right Screw | |
| 83 | 1 | 22170910/0 | Stift | Pin | |
| 84 | 1 | 12523060/0 | Bricka | Washer | |
| 85 | 1 | 12155000/0 | Mutter | Nut | |

GARDEN COMPACT EV

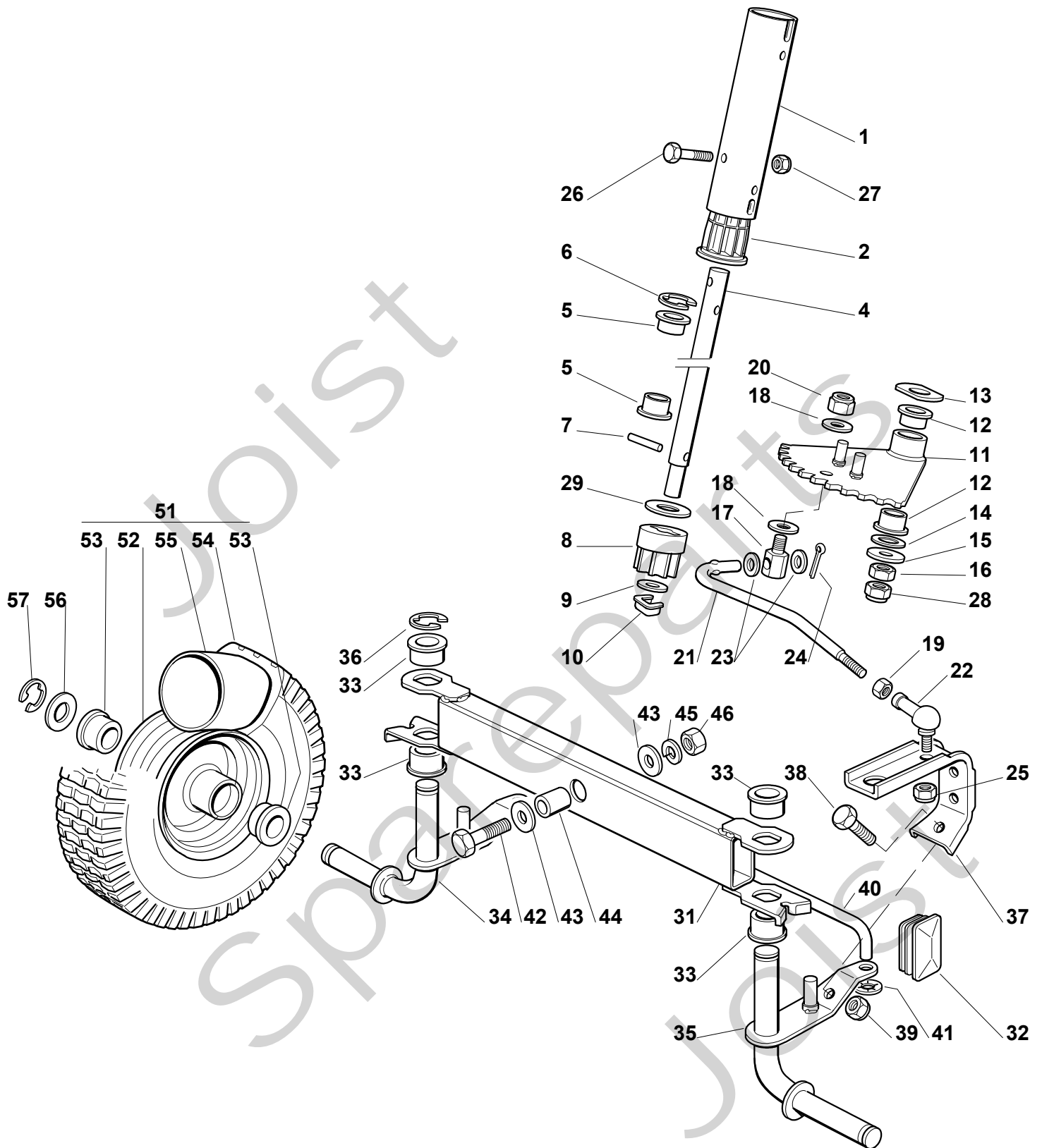




GARDEN COMPACT EV

| Pos. Fig. | Antal Quantity | Art No Part No | Benämning | Description | Anmärkning Notes |
|-----------|----------------|----------------|-----------|-----------------------------|------------------|
| 1 | 1 | 27110371/0 | Kåpa | Wheels Cover Yellow | |
| 2 | 1 | 27110409/0 | Kåpa | Engine Cover Grey | |
| 3 | 4 | 12735410/0 | Skruv | Screw | |
| 4 | 4 | 12523040/0 | Bricka | Washer | |
| 5 | 2 | 12735402/0 | Skruv | Screw | |
| 7 | 1 | 27110373/0 | Kåpa | Grass-Catcher Cover, Yellow | |
| 8 | 1 | 27394000/0 | Handtag | Handle | |
| 61 | 1 | 27600114/1 | Skydd | Guard | |
| 71 | 1 | 27600119/0 | Skydd-Röd | Guard | |
| 72 | 1 | 27600118/0 | Skydd-Röd | Guard | |
| 73 | 2 | 12727810/0 | Skruv | Screw | |

GARDEN COMPACT EV

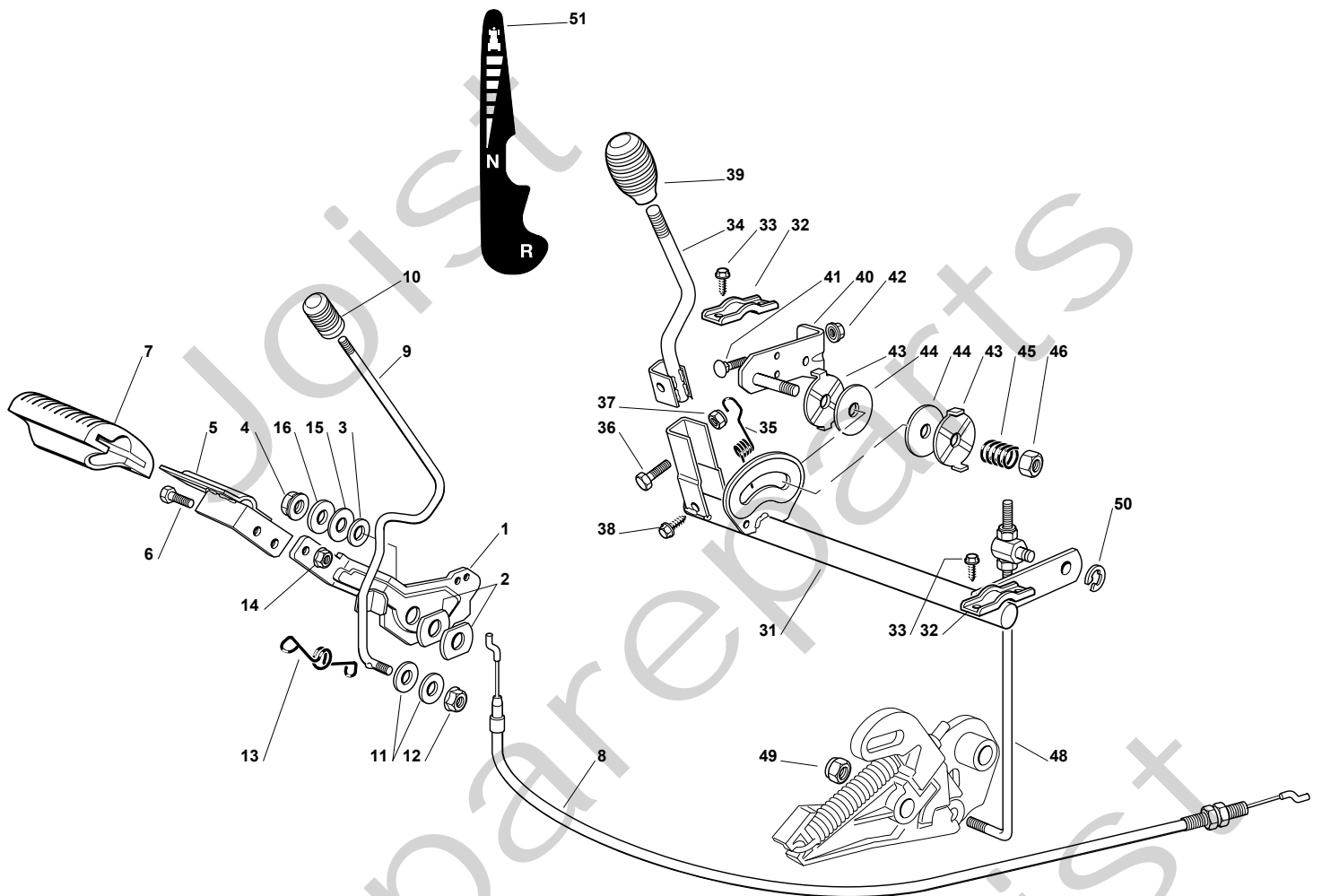




GARDEN COMPACT EV

| Pos. Fig. | Antal Quantity | Art No Part No | Benämning | Description | Anmärkning Notes |
|-----------|----------------|----------------|-----------------|-----------------|------------------|
| 1 | 1 | 27340305/1 | Förlängning | Colum Extension | |
| 2 | 1 | 27047005/1 | Bussning | Bush | |
| 4 | 1 | 27520052/0 | Steering Column | Steering Column | |
| 5 | 2 | 27047004/0 | Bussning | Bush | |
| 6 | 1 | 12001010/0 | Låsring | Benzing | |
| 7 | 1 | 12622650/0 | Stift | Pin | |
| 8 | 1 | 27570050/0 | Drev | Pinion | |
| 9 | 1 | 12521370/0 | Bricka | Washer | |
| 10 | 1 | 12436030/0 | Plåt | Plate | |
| 11 | 1 | 84735553/1 | Ringdrev | Ring Gear | |
| 12 | 2 | 27047004/0 | Bussning | Bush | |
| 13 | 1 | 27670054/0 | Bricka | Washer | |
| 14 | 1 | 22672152/0 | Bricka | Washer | |
| 15 | 1 | 12523070/0 | Bricka | Washer | |
| 16 | 1 | 12293200/0 | Mutter | Nut | |
| 17 | 1 | 25510056/0 | Stift | Pin | |
| 18 | 2 | 25670008/1 | Bricka | Washer | |
| 19 | 1 | 12293200/0 | Mutter | Nut | |
| 20 | 1 | 12156602/0 | Mutter | Nut | |
| 21 | 1 | 27034066/2 | Länk | Rod | |
| 22 | 1 | 122746610/0 | Mutter | Joint | |
| 23 | 2 | 25670008/1 | Bricka | Washer | |
| 24 | 1 | 12141418/0 | Bricka | Washer | |
| 25 | 1 | 12155000/0 | Mutter | Nut | |
| 26 | 2 | 12689515/0 | Skruv | Screw | |
| 27 | 2 | 12154510/0 | Mutter | Nut | |
| 28 | 1 | 12155000/0 | Mutter | Nut | |
| 29 | 1 | 27670054/0 | Bricka | Washer | |
| 31 | 1 | 84034059/0 | Equalizer | Equalizer | |
| 32 | 2 | 18737852/0 | Lock | Cap | |
| 33 | 4 | 27047004/0 | Bussning | Bush | |
| 34 | 1 | 84230405/0 | Right Stub Axle | Right Stub Axle | |
| 35 | 1 | 84230407/0 | Left Stub Axle | Left Stub Axle | |
| 36 | 1 | 12000970/0 | Låsring | Snap Ring | |
| 37 | 1 | 27787041/0 | Stöd | Support | |
| 38 | 1 | 12793102/0 | Skruv | Screw | |
| 39 | 1 | 12155000/0 | Mutter | Nut | |
| 40 | 1 | 27840051/0 | Stång | Tie Rod | |
| 41 | 2 | 12604899/0 | Låsbricka | Crown Fastener | |
| 42 | 1 | 12692695/0 | Skruv | Screw | |
| 43 | 2 | 12523100/0 | Bricka | Washer | |
| 44 | 1 | 25160016/0 | Distans | Spacer | |
| 45 | 1 | 12587100/0 | Bricka | Washer | |
| 46 | 1 | 12295300/0 | Mutter | Nut | |
| 51 | 2 | 84680056/1 | Framhjul Kpl | Front Wheel | |
| 52 | 2 | 84044002/0 | Rimm | Rimm | |
| 53 | 4 | 27045070/0 | Bussning | Bush | |
| 54 | 2 | 27590058/0 | Dack | Shoe | |
| 55 | 2 | 27590056/0 | Innerslang | Inner Tube | |
| 56 | 2 | 12521390/0 | Bricka | Washer | |
| 57 | 2 | 12000970/0 | Låsring | Snap Ring | |

GARDEN COMPACT EV

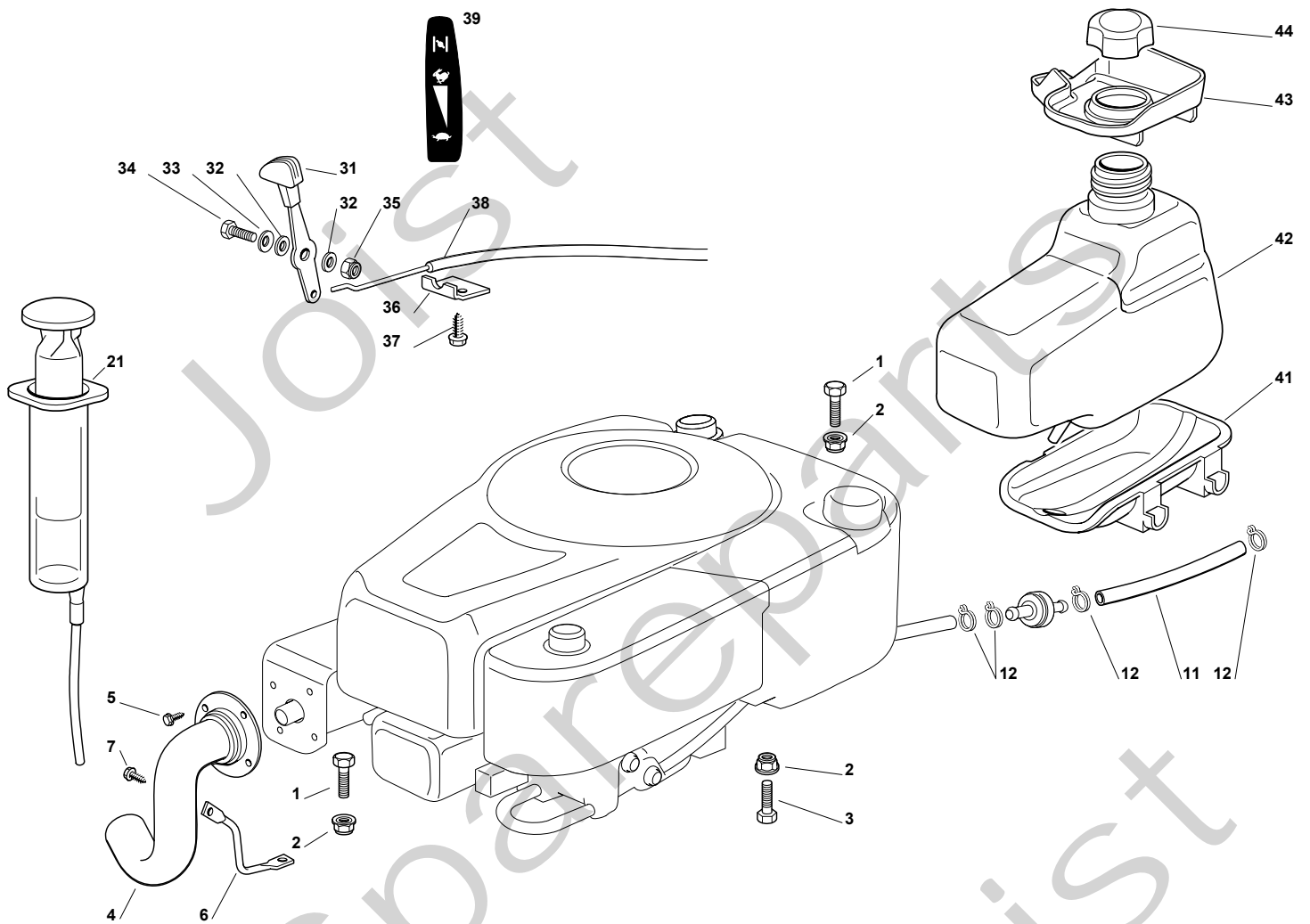




GARDEN COMPACT EV

| Pos. Fig. | Antal Quantity | Art No Part No | Benämning | Description | Anmärkning Notes |
|-----------|----------------|----------------|-------------|-------------|------------------|
| 1 | 1 | 27500051/0 | Pedal | Pedal | |
| 2 | 2 | 27670054/0 | Bricka | Washer | |
| 3 | 1 | 12521350/0 | Bricka | Washer | |
| 4 | 1 | 12154210/0 | Mutter | Nut | |
| 5 | 1 | 84503005/0 | Pedal Upper | Pedal Upper | |
| 6 | 2 | 112791200/1 | Skruv | Screw | |
| 7 | 1 | 25110269/0 | Clamp Cover | Clamp Cover | |
| 8 | 1 | 184207107/0 | Kabel | Cable | |
| 9 | 1 | 27034064/1 | Länk | Rod | |
| 10 | 1 | 27395050/1 | Knopp | Knob | |
| 11 | 2 | 25670011/0 | Bricka | Washer | |
| 12 | 1 | 12154210/0 | Mutter | Nut | |
| 13 | 1 | 27430564/0 | Fjäder | Spring | |
| 14 | 2 | 12292102/0 | Mutter | Nut | |
| 15 | 1 | 27670055/0 | Bricka | Washer | |
| 16 | 1 | 12523060/0 | Bricka | Washer | |
| 31 | 1 | 384001027/0 | Axel | Axle | |
| 32 | 2 | 27546015/1 | Plåt | Plate | |
| 33 | 4 | 12729600/0 | Skruv | Screw | |
| 34 | 1 | 84317071/0 | Arm | Gearshift | |
| 35 | 1 | 27430570/1 | Fjäder | Spring | |
| 36 | 1 | 12674700/0 | Skruv | Screw | |
| 37 | 1 | 12154510/0 | Mutter | Nut | |
| 38 | 1 | 12729600/0 | Skruv | Screw | |
| 39 | 1 | 25394510/0 | Knopp | Knob | |
| 40 | 1 | 384783047/0 | Stöd | Bracket | |
| 41 | 2 | 12818690/0 | Skruv | Screw | |
| 42 | 2 | 12293201/0 | Mutter | Nut | |
| 43 | 2 | 27670053/0 | Bricka | Washer | |
| 44 | 2 | 127207000/0 | Lining | Lining | |
| 45 | 1 | 27430560/0 | Fjäder | Spring | |
| 46 | 1 | 12155020/0 | Mutter | Nut | |
| 48 | 1 | 384002084/0 | Rod | Rod | |
| 48 | 1 | 384002084/1 | Rod | Rod | |
| 49 | 1 | 12150000/0 | Mutter | Nut | |
| 50 | 1 | 12604897/0 | Bricka | Washer | |
| 51 | 1 | 114362319/0 | Dekal | Label | |

GARDEN COMPACT EV

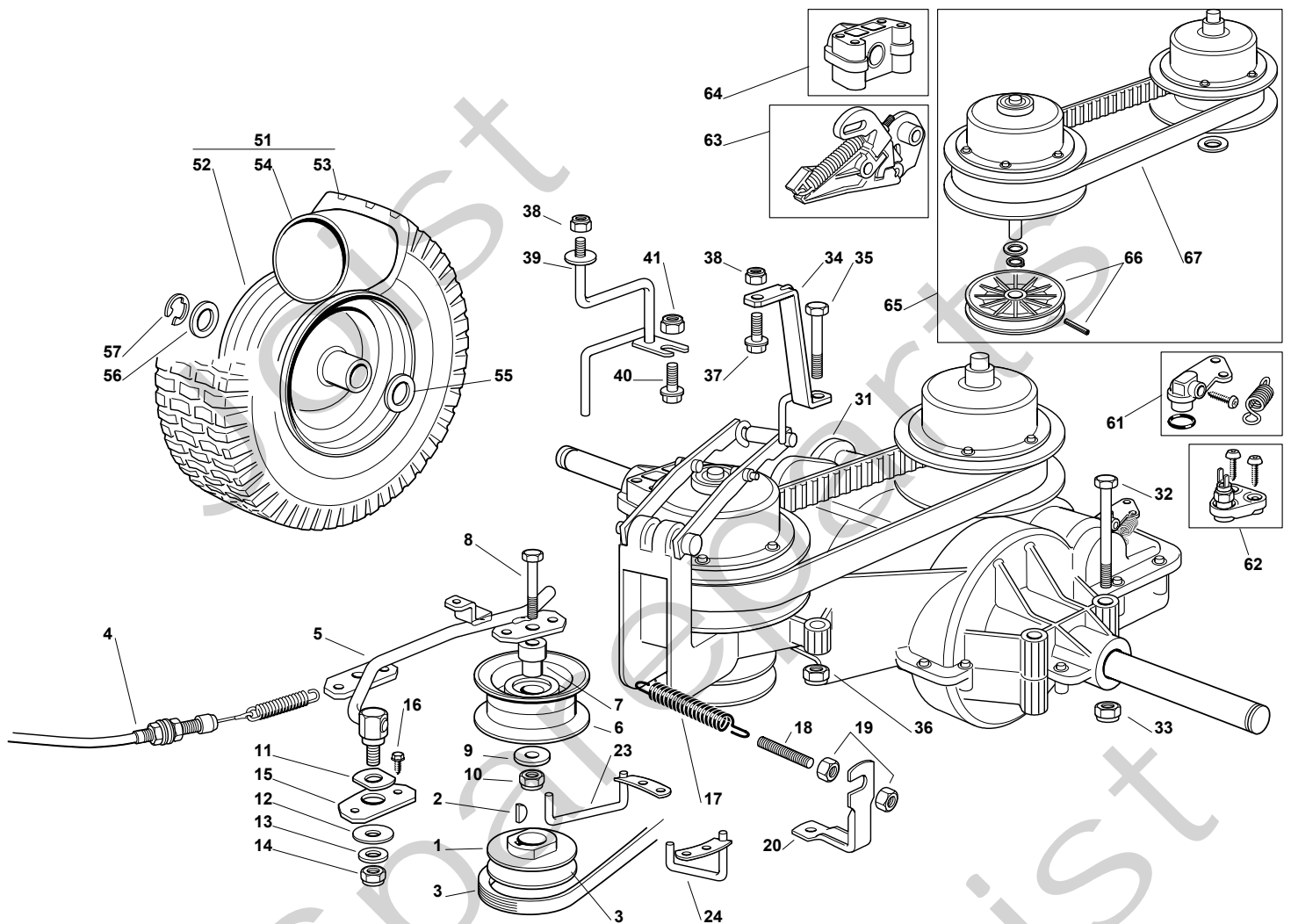




GARDEN COMPACT EV

| Pos. Fig. | Antal Quantity | Art No Part No | Benämning | Description | Anmärkning Notes |
|-----------|----------------|----------------|-------------------|-------------------|------------------|
| 1 | 2 | 12691100/0 | Skruv | Left Screw | |
| 2 | 3 | 12154210/0 | Mutter | Nut | |
| 3 | 1 | 12691800/0 | Skruv | Screw | |
| 4 | 1 | 118738245/0 | Avgasrör | Exhaust Tube | |
| 5 | 1 | 12735104/0 | Skruv | Screw | |
| 6 | 1 | 127787077/0 | Stöd | Bracket | |
| 7 | 1 | 12735110/0 | Skruv | Screw | |
| 11 | 1 | 25869033/1 | Vevstake | Connecting Tube | |
| 12 | 2 | 18375051/1 | Slangklämma | Fair Led | |
| 21 | 1 | 18718000/0 | Manöverdosa | Syringe | |
| 31 | 1 | 384317094/0 | Accelerator Lever | Accelerator Lever | |
| 32 | 2 | 12523040/0 | Bricka | Washer | |
| 33 | 1 | 12530060/0 | Bricka | Elastic Washer | |
| 34 | 1 | 12791500/0 | Skruv | Screw | |
| 35 | 1 | 12154510/0 | Mutter | Nut | |
| 36 | 1 | 22981467/0 | Plåt | Plate | |
| 37 | 2 | 12735105/0 | Skruv | Screw | |
| 38 | 1 | 184000254/0 | Gaswire | Throttle Cable | |
| 39 | 1 | 114364614/0 | Dekal | Label | |
| 41 | 1 | 27787057/0 | Stöd | Support | |
| 42 | 1 | 27733002/1 | Tank | Tank | |
| 43 | 1 | 27600113/0 | Skydd | Guard | |
| 44 | 1 | 27790000/1 | Lock | Cap | |

GARDEN COMPACT EV

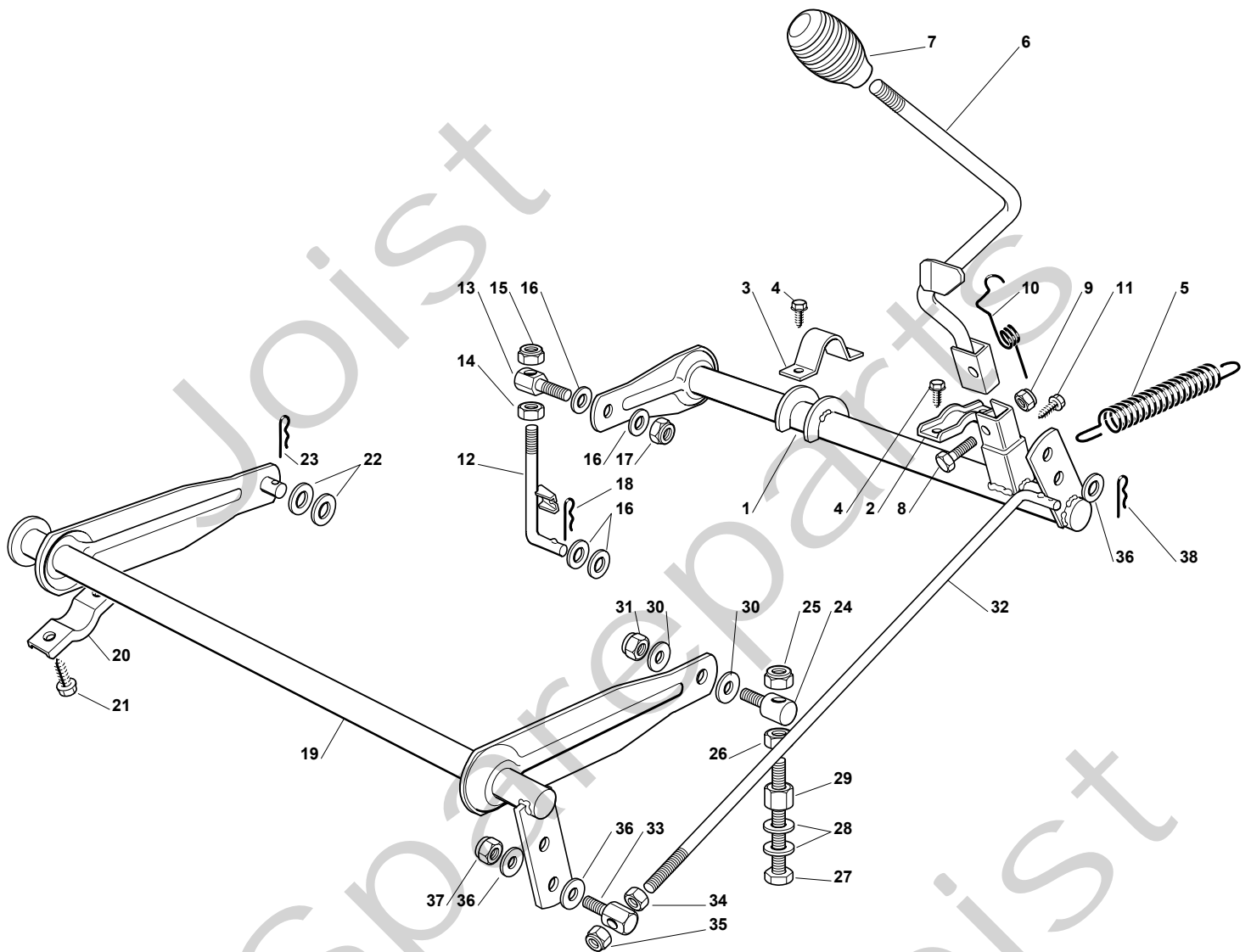




GARDEN COMPACT EV

| Pos. Fig. | Antal Quantity | Art No Part No | Benämning | Description | Anmärkning Notes |
|-----------|----------------|----------------|-------------------|----------------------------|------------------|
| 1 | 1 | 127604013/0 | Remskiva | Pulley | |
| 2 | 1 | 12139100/0 | Kil | Feather, Crankshaft Ø 22.2 | |
| 3 | 1 | 135061427/0 | Drivrem | Belt | |
| 4 | 1 | 84207103/2 | Kabel | Cable | |
| 5 | 1 | 384317091/0 | Spak | Lever | |
| 6 | 1 | 27604007/0 | Remskiva | Pulley | |
| 7 | 1 | 27047007/0 | Bussning | Bush | |
| 8 | 1 | 12691200/0 | Skruv | Right Screw | |
| 9 | 1 | 12523060/0 | Bricka | Washer | |
| 10 | 1 | 12155000/0 | Mutter | Nut | |
| 11 | 1 | 27670054/0 | Bricka | Washer | |
| 12 | 1 | 119700064/0 | Brytare | Gearbox Switch | |
| 12 | 1 | 12523070/0 | Bricka | Washer | |
| 13 | 1 | 25670011/0 | Bricka | Washer | |
| 14 | 1 | 12155000/0 | Mutter | Nut | |
| 15 | 1 | 27546029/0 | Plåt | Plate | |
| 16 | 2 | 12735121/0 | Skruv | Screw | |
| 17 | 1 | 25430219/0 | Fjäder | Spring | |
| 18 | 1 | 25840005/0 | Stång | Tie Rod | |
| 19 | 2 | 12293200/0 | Mutter | Nut | |
| 20 | 1 | 327773081/1 | Angle Bracket | Angle Bracket | |
| 23 | 1 | 382270305/0 | Plåt | Plate | |
| 24 | 1 | 382270307/0 | Plåt | Plate | |
| 31 | 1 | 118400973/0 | Transmission Unit | Transmission Unit | |
| 31 | 1 | 118400973/1 | Transmission Unit | Transmission Unit | |
| 32 | 4 | 12692050/0 | Skruv | Screw | |
| 33 | 4 | 12154210/0 | Mutter | Nut | |
| 34 | 1 | 384783045/0 | Stöd | Support | |
| 35 | 1 | 12691115/0 | Skruv | Left Screw | |
| 36 | 1 | 12154210/0 | Mutter | Nut | |
| 37 | 1 | 12793102/0 | Skruv | Screw | |
| 38 | 2 | 12154210/0 | Mutter | Nut | |
| 39 | 1 | 384783043/0 | Stöd | Support | |
| 40 | 1 | 12793301/0 | Skruv | Screw | |
| 41 | 1 | 12154210/0 | Mutter | Nut | |
| 51 | 2 | 84680057/1 | Stödhjul | Rear Wheel | |
| 52 | 2 | 84044005/0 | Rimm | Rimm | |
| 53 | 2 | 27590059/0 | Dack | Shoe | |
| 54 | 2 | 27590057/0 | Innerslang | Inner Tube | |
| 55 | 2 | 12521410/0 | Bricka | Washer | |
| 56 | 2 | 25670005/1 | Bricka | Washer | |
| 57 | 2 | 12001010/0 | Låsring | Benzing | |
| 61 | 1 | 119700059/0 | Brake Kit | Brake Kit | |
| 62 | 1 | 119700058/0 | Brytare | Gearbox Switch | |
| 63 | 1 | 119700063/0 | Control Unit | Control Unit | |
| 63 | 1 | 119700065/0 | Control Unit | Control Unit | |
| 64 | 1 | 119700061/0 | Bussning | Bush | |
| 65 | 1 | 119700057/0 | Variator Kit | Variator Kit | |
| 66 | 1 | 119700060/0 | Remskiva | Pulley | |
| 66 | 1 | 119700066/0 | Remskiva | Pulley | |
| 67 | 1 | 119700062/0 | Drivrem | Belt | |

GARDEN COMPACT EV

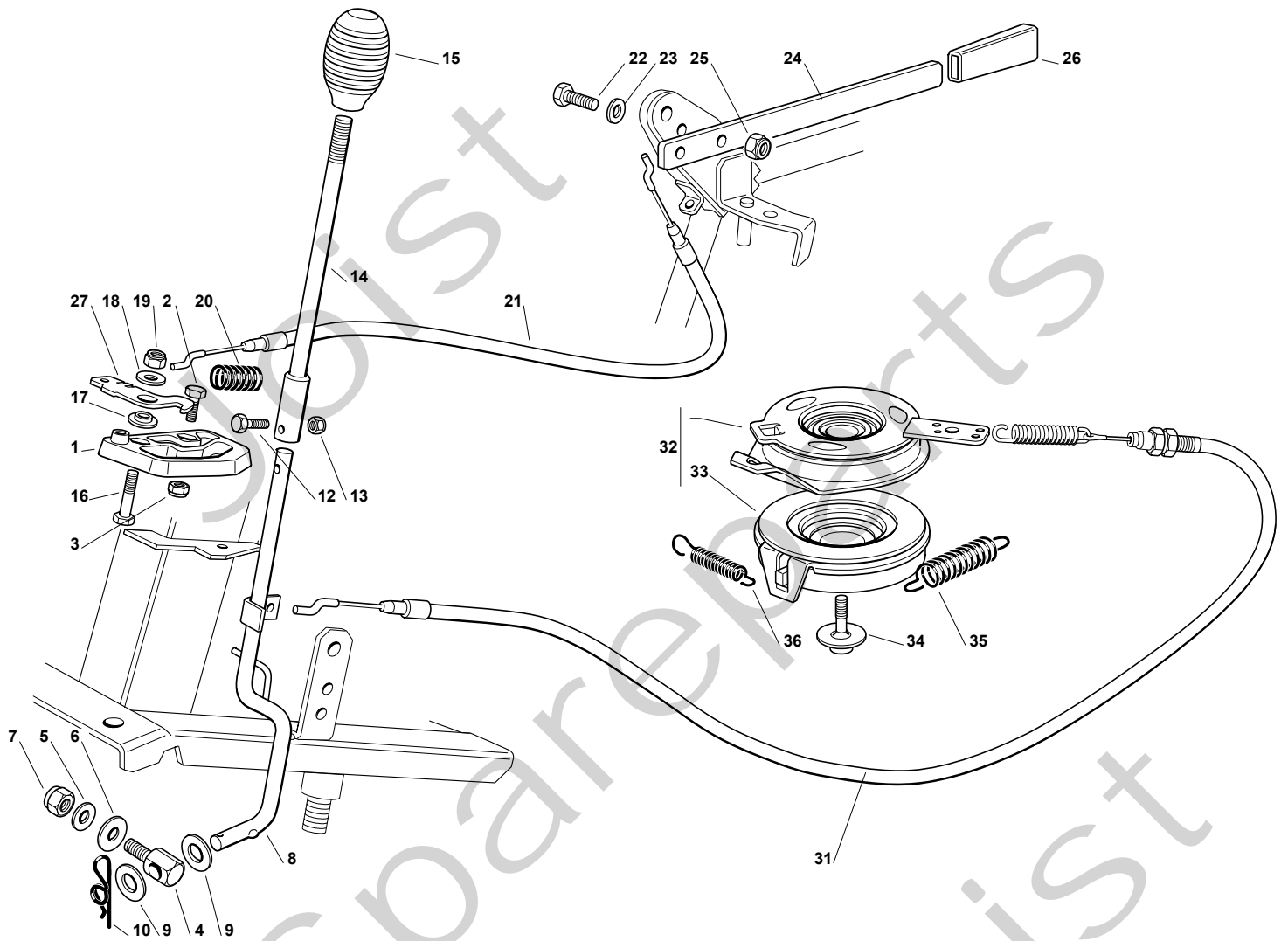




GARDEN COMPACT EV

| Pos. Fig. | Antal Quantity | Art No Part No | Benämning | Description | Anmärkning Notes |
|-----------|----------------|----------------|-----------|-------------|------------------|
| 1 | 1 | 84001017/0 | Axel | Axle | |
| 2 | 1 | 27546015/1 | Plåt | Plate | |
| 3 | 1 | 25547037/1 | Plåt | Plate | |
| 4 | 4 | 12729600/0 | Skruv | Screw | |
| 5 | 1 | 27430568/0 | Fjäder | Spring | |
| 6 | 1 | 84317075/0 | Arm | Gearshift | |
| 7 | 1 | 25394510/0 | Knopp | Knob | |
| 8 | 1 | 12674700/0 | Skruv | Screw | |
| 9 | 1 | 12154510/0 | Mutter | Nut | |
| 10 | 1 | 27430574/0 | Fjäder | Spring | |
| 11 | 1 | 12729600/0 | Skruv | Screw | |
| 12 | 1 | 327034087/0 | Stång | Rod | |
| 12 | 1 | 327034087/1 | Stång | Rod | |
| 13 | 1 | 25510056/0 | Stift | Pin | |
| 14 | 1 | 12295200/0 | Mutter | Nut | |
| 15 | 1 | 12156602/0 | Mutter | Nut | |
| 16 | 4 | 25670008/1 | Bricka | Washer | |
| 17 | 1 | 12156602/0 | Mutter | Nut | |
| 18 | 1 | 24487997/0 | Bricka | Washer | |
| 19 | 1 | 84001019/0 | Axel | Axle | |
| 20 | 2 | 27546015/1 | Plåt | Plate | |
| 21 | 4 | 12731350/0 | Skruv | Screw | |
| 22 | 2 | 25670008/1 | Bricka | Washer | |
| 23 | 1 | 24487997/0 | Bricka | Washer | |
| 24 | 1 | 125510007/2 | Stift | Pin | |
| 24 | 1 | 25510007/1 | Stift | Pin | |
| 25 | 1 | 12156602/0 | Mutter | Nut | |
| 26 | 1 | 12295200/0 | Mutter | Nut | |
| 27 | 1 | 12794970/0 | Skruv | Screw | |
| 28 | 2 | 12521360/0 | Bricka | Washer | |
| 29 | 1 | 12154250/0 | Mutter | Nut | |
| 30 | 2 | 25670008/1 | Bricka | Washer | |
| 31 | 1 | 12156602/0 | Mutter | Nut | |
| 32 | 1 | 27034065/0 | Länk | Rod | |
| 33 | 1 | 25510040/1 | Stift | Pin | |
| 34 | 1 | 12293200/0 | Mutter | Nut | |
| 35 | 1 | 12155000/0 | Mutter | Nut | |
| 36 | 3 | 25670011/0 | Bricka | Washer | |
| 37 | 1 | 12155000/0 | Mutter | Nut | |
| 38 | 1 | 24487997/0 | Bricka | Washer | |

GARDEN COMPACT EV

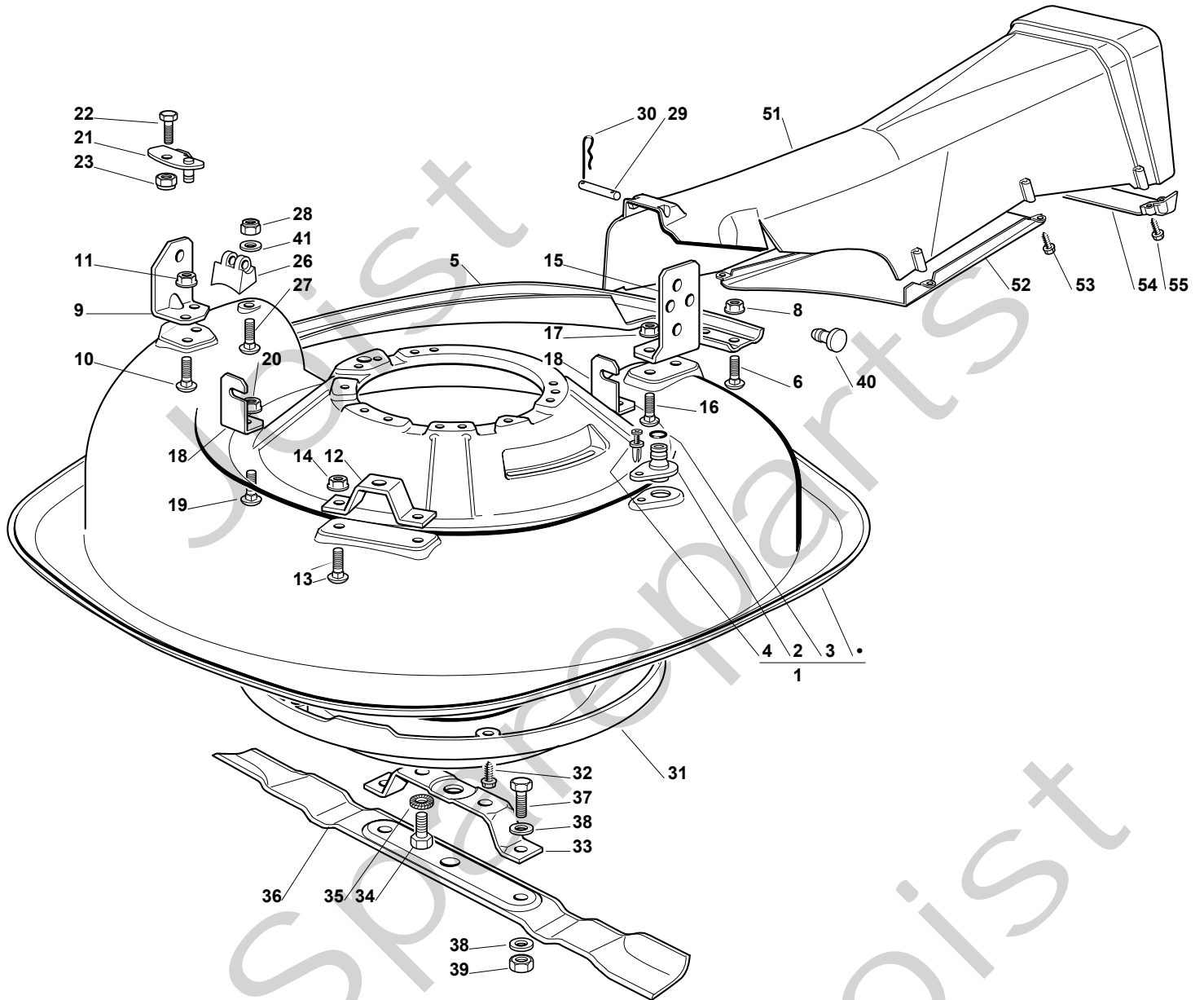




GARDEN COMPACT EV

| Pos. Fig. | Antal Quantity | Art No Part No | Benämning | Description | Anmärkning Notes |
|-----------|----------------|----------------|-------------------|-------------------------|------------------|
| 1 | 1 | 27487003/0 | Glidblock | Shoe | |
| 2 | 2 | 112791200/1 | Skruv | Screw | |
| 3 | 2 | 12154510/0 | Mutter | Nut | |
| 4 | 1 | 27510107/0 | Stift | Pin | |
| 5 | 1 | 25670011/0 | Bricka | Washer | |
| 6 | 1 | 22672152/0 | Bricka | Washer | |
| 7 | 1 | 12155000/0 | Mutter | Nut | |
| 8 | 1 | 84317073/1 | Arm | Lever | |
| 9 | 2 | 21660100/0 | Bricka | Washer | |
| 10 | 1 | 24487998/0 | Låsnål | Cotter Pin | |
| 12 | 1 | 12789020/0 | Skruv | Screw | |
| 13 | 1 | 12154330/0 | Mutter | Nut | |
| 14 | 1 | 84317079/0 | Arm | Gearshift | |
| 15 | 1 | 25394510/0 | Knopp | Knob | |
| 16 | 1 | 12792099/0 | Skruv | Screw | |
| 17 | 1 | 325160039/0 | Distans | Spacer | |
| 18 | 1 | 12523040/0 | Bricka | Washer | |
| 19 | 1 | 12154510/0 | Mutter | Nut | |
| 20 | 1 | 25430206/1 | Fjäder | Spring | |
| 21 | 1 | 184000255/0 | Kabel | Cable | |
| 22 | 1 | 125510080/1 | Stift | Pin | |
| 22 | 1 | 25510080/0 | Stift | Pin | |
| 23 | 1 | 12521350/0 | Bricka | Washer | |
| 24 | 1 | 327315131/0 | Spak | Lever | |
| 25 | 1 | 12154510/0 | Mutter | Nut | |
| 26 | 1 | 22397000/0 | | Knob | |
| 27 | 1 | 327253000/1 | Hook | Hook | |
| 31 | 1 | 84207104/1 | Kabel | Wire | |
| 32 | 1 | 18399065/1 | Koppling kpl | Mechanical Clutch Ass.Y | |
| 33 | 1 | 18399066/1 | Mechanical Clutch | Clutch, Lower Part | |
| 34 | 1 | 12735460/0 | Skruv | Screw | |
| 35 | 1 | 27430579/0 | Fjäder | Spring | |
| 36 | 1 | 22450110/0 | Fjäder | Spring | |

GARDEN COMPACT EV

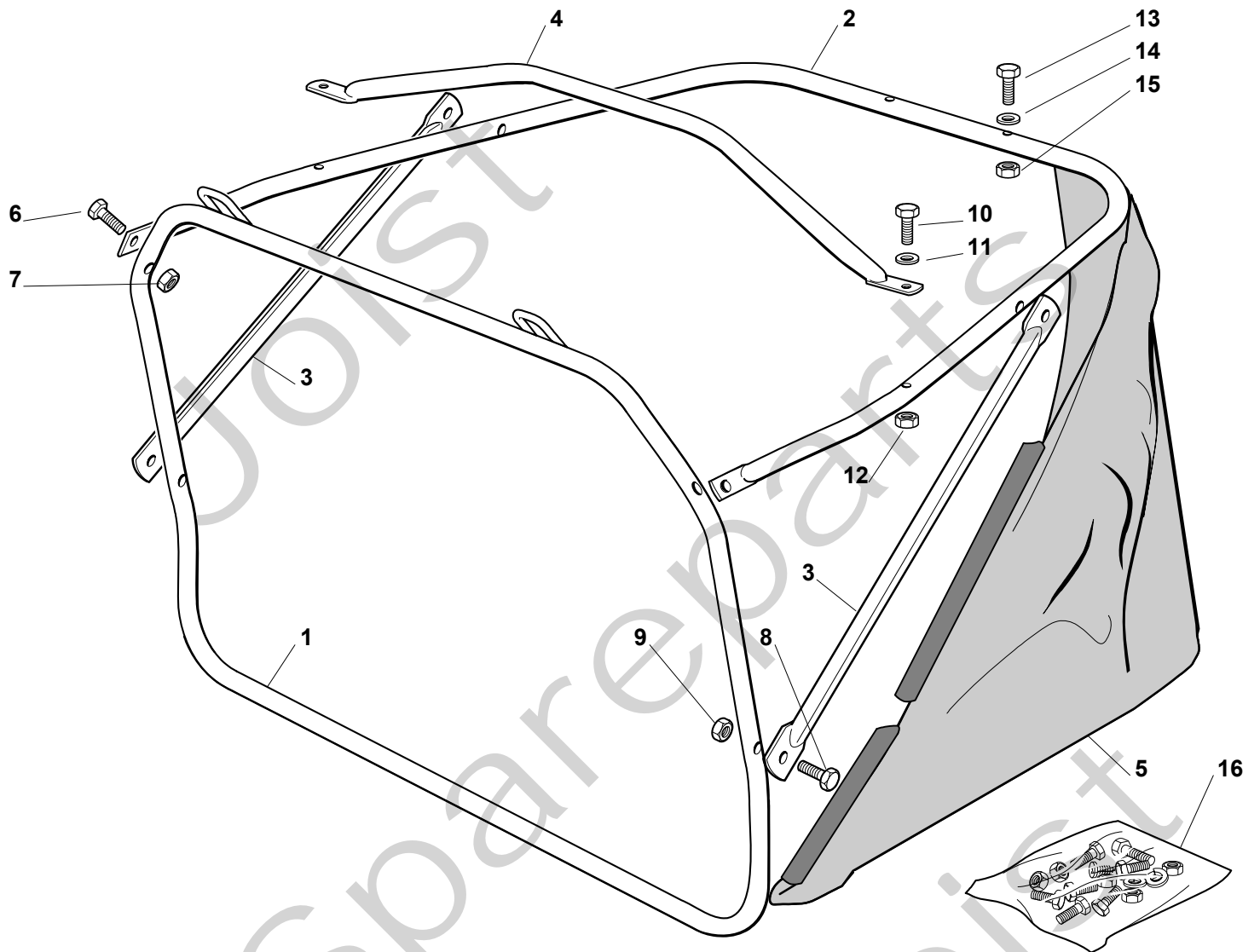




GARDEN COMPACT EV

| Pos. Fig. | Antal Quantity | Art No Part No | Benämning | Description | Anmärkning Notes |
|-----------|----------------|----------------|-----------------------|-----------------------|------------------|
| 1 | 1 | 384564095/1 | Klippaggregat | Cutting Plate, Black | |
| 2 | 1 | 25033060/0 | Water Hose Connection | Water Hose Connection | |
| 3 | 1 | 19035000/0 | O-ring | Or Ring | |
| 4 | 1 | 12500030/0 | Rivet | Rivet | |
| 5 | 1 | 84650103/0 | Reduktion | Stiffening | |
| 6 | 4 | 12815200/0 | Skruv | Screw | |
| 8 | 4 | 12292102/0 | Mutter | Nut | |
| 9 | 1 | 27772119/0 | Fäste | Clamp | |
| 10 | 2 | 12818690/0 | Skruv | Screw | |
| 11 | 2 | 12293201/0 | Mutter | Nut | |
| 12 | 1 | 27772133/0 | Fäste | Clamp | |
| 13 | 2 | 12818690/0 | Skruv | Screw | |
| 14 | 2 | 12293201/0 | Mutter | Nut | |
| 15 | 1 | 327772127/2 | Fäste | Clamp | |
| 16 | 2 | 12818690/0 | Skruv | Screw | |
| 16 | 2 | 12818700/0 | Skruv | Screw | |
| 17 | 2 | 12293201/0 | Mutter | Nut | |
| 18 | 2 | 27753071/0 | Fästvinkel | Angle Bracket | |
| 19 | 2 | 12818690/0 | Skruv | Screw | |
| 20 | 2 | 12293201/0 | Mutter | Nut | |
| 21 | 1 | 84545063/0 | Plåt | Plate | |
| 22 | 1 | 12792611/0 | Skruv | Screw | |
| 23 | 1 | 12155000/0 | Mutter | Nut | |
| 26 | 1 | 27230200/2 | Hake | Hook | |
| 27 | 1 | 12815210/0 | Skruv | Screw | |
| 28 | 1 | 12154510/0 | Mutter | Nut | |
| 29 | 1 | 27510097/1 | Stift | Pin | |
| 30 | 2 | 24487997/0 | Bricka | Washer | |
| 31 | 1 | 27600122/0 | Skydd | Guard | |
| 32 | 5 | 12728530/0 | Skruv | Screw | |
| 33 | 1 | 27787045/1 | Support | Bracket | |
| 34 | 2 | 12794110/0 | Skruv | Screw | |
| 35 | 2 | 12540070/0 | Bricka | Washer | |
| 36 | 1 | 84109504/0 | Kniv | Blade | |
| 37 | 2 | 12793102/0 | Skruv | Screw | |
| 38 | 4 | 12523060/0 | Bricka | Washer | |
| 39 | 2 | 12155010/0 | Mutter | Nut | |
| 40 | 1 | 27275000/0 | Hylsa | Grommet | |
| 41 | 1 | 12521330/0 | Bricka | Washer | |
| 51 | 1 | 27107502/0 | Inmatningstratt | Conveyor | |
| 52 | 1 | 327140056/0 | Deflektor | Deflector | |
| 53 | 5 | 12735402/0 | Skruv | Screw | |
| 54 | 1 | 27650120/0 | Reduktion | Stiffening | |
| 55 | 2 | 12735410/0 | Skruv | Screw | |

GARDEN COMPACT EV

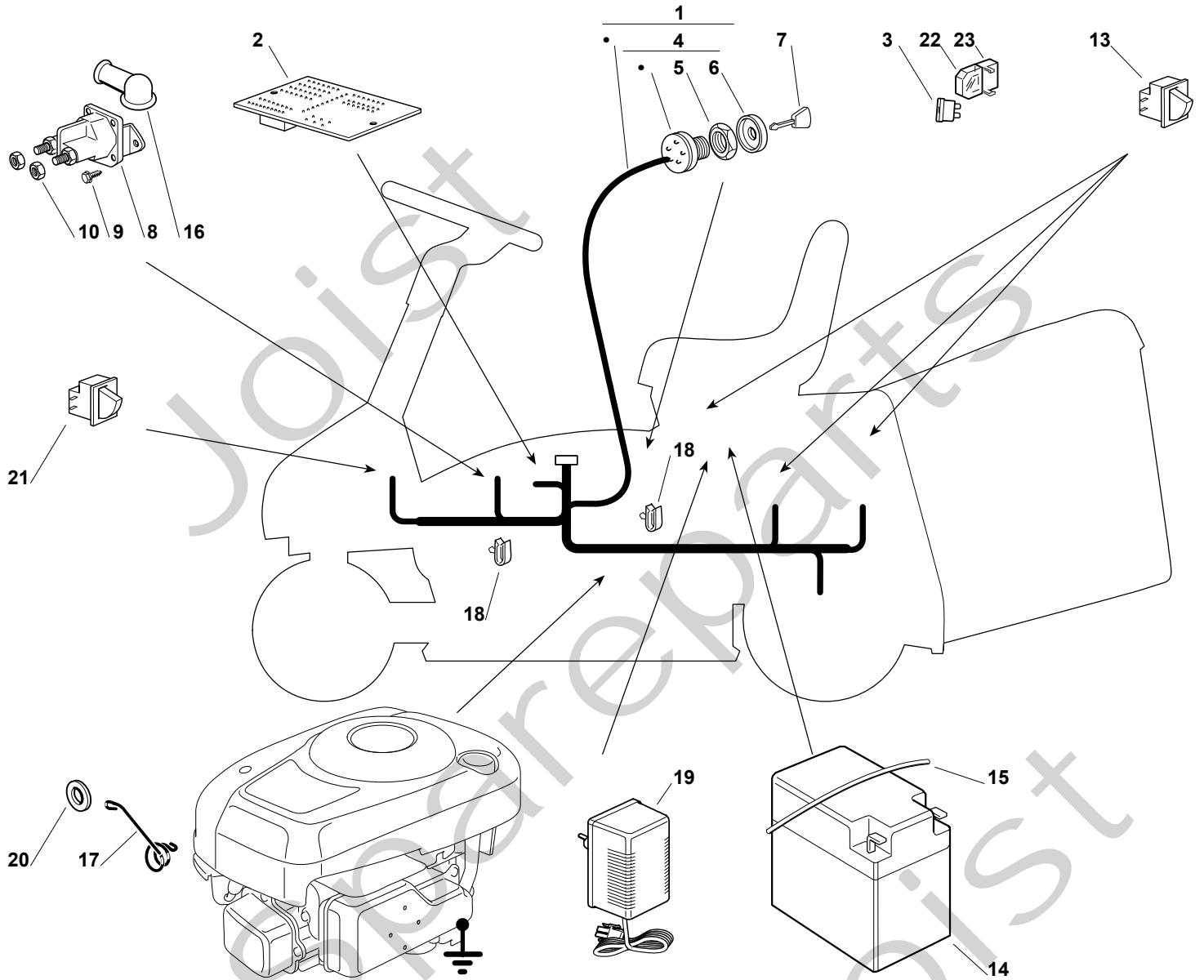




GARDEN COMPACT EV

| Pos. Fig. | Antal Quantity | Art No Part No | Benämning | Description | Anmärkning Notes |
|-----------|----------------|----------------|------------|----------------------|------------------|
| 1 | 1 | 84801121/0 | Chassi | Front Frame | |
| 2 | 1 | 84801119/0 | Chassi | Upper Frame | |
| 3 | 2 | 27650117/0 | Reduktion | Stiffening | |
| 4 | 1 | 84394051/0 | Handtag | Handle | |
| 5 | 1 | 184106068/0 | Uppsamlare | Grasscatcher | |
| 6 | 2 | 12789020/0 | Skruv | Screw | |
| 7 | 2 | 12154330/0 | Mutter | Nut | |
| 8 | 4 | 12789020/0 | Skruv | Screw | |
| 9 | 4 | 12154330/0 | Mutter | Nut | |
| 10 | 2 | 12789210/0 | Skruv | Screw | |
| 11 | 2 | 12521331/0 | Bricka | Washer | |
| 12 | 2 | 12154330/0 | Mutter | Nut | |
| 13 | 2 | 12674530/0 | Skruv | Screw | |
| 14 | 2 | 12521331/0 | Bricka | Washer | |
| 15 | 2 | 12154330/0 | Mutter | Nut | |
| 16 | 1 | 84180186/0 | Skruvsats | Screws Outfit (6÷15) | |

GARDEN COMPACT EV

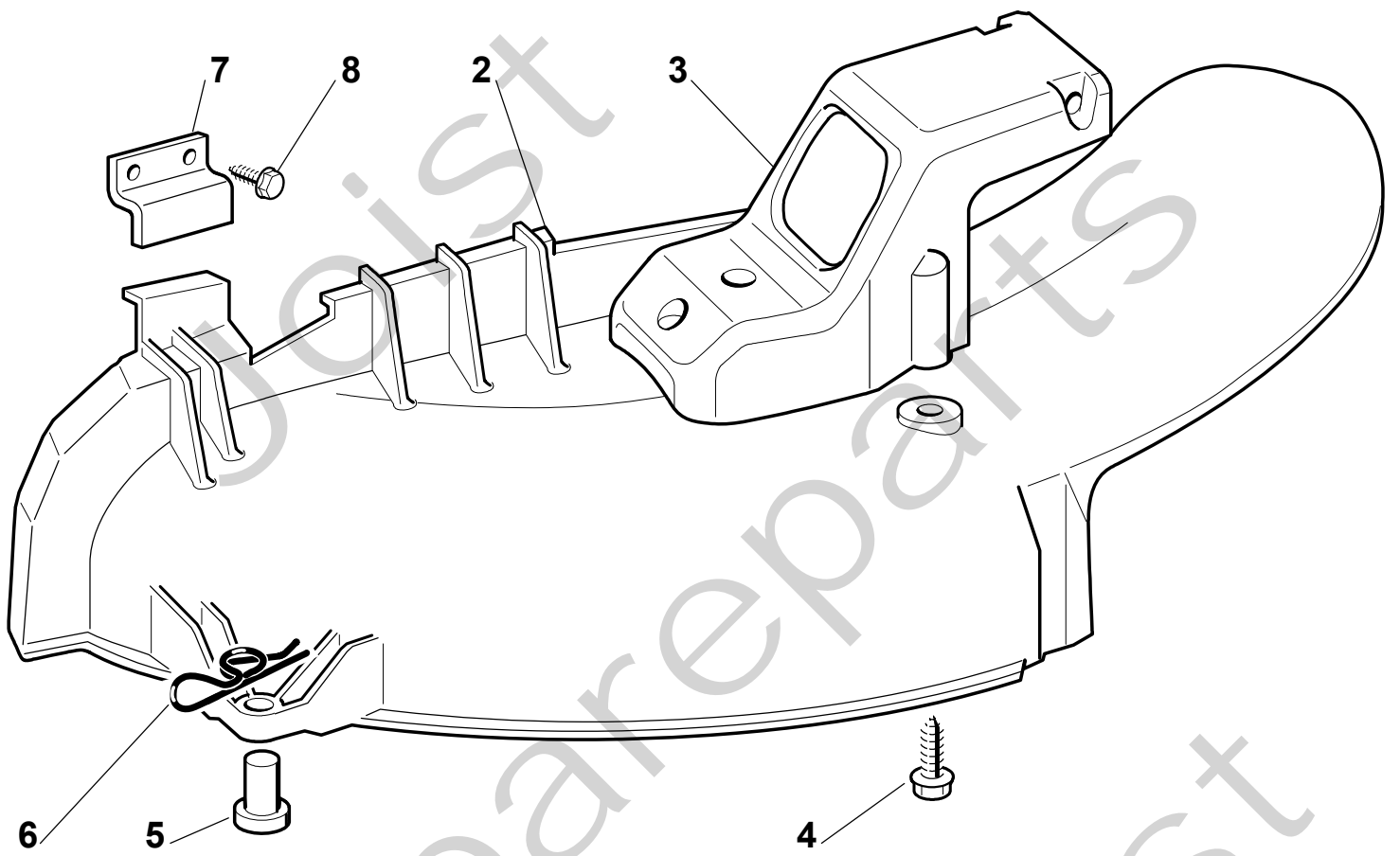




GARDEN COMPACT EV

| Pos. Fig. | Antal Quantity | Art No Part No | Benämning | Description | Anmärkning Notes |
|-----------|----------------|----------------|----------------|--------------------|------------------|
| 1 | 1 | 184040129/0 | Kabel | Cables | |
| 3 | 1 | 33340040/0 | Säkring | Fuse 10A | |
| 4 | 1 | 18450065/1 | Brytare | Starting Switch | |
| 5 | 1 | 18400861/0 | Kondensator | Ringnut | |
| 6 | 1 | 18565351/0 | Hylsa | Ringnut Protection | |
| 7 | 1 | 18210016/1 | Kabel | Starting Key | |
| 8 | 1 | 18736111/0 | Starter Relay | Starter Relay | |
| 9 | 2 | 12735110/0 | Skruv | Screw | |
| 10 | 2 | 12360352/0 | Mutter | Nut | |
| 13 | 3 | 119410615/0 | Brytare | Micro | |
| 14 | 1 | 18120004/0 | Batteri | Battery | |
| 15 | 1 | 27430572/0 | Fjäder | Spring | |
| 16 | 1 | 18564861/1 | Tätningshylsa | Protection | |
| 17 | 1 | 27430557/0 | Fjäder | Spring | |
| 18 | 5 | 33320506/0 | Kabelhållare | Fairled | |
| 19 | 1 | 82180051/0 | Batteriladdare | Battery Charger | |
| 20 | 1 | 12523020/0 | Bricka | Washer | |
| 21 | 1 | 119410612/1 | Brytare | Microswitch | |
| 22 | 1 | 33215000/0 | Kåpa | Cover | |
| 23 | 1 | 33500007/0 | Säkring | Fuse Carrier | |

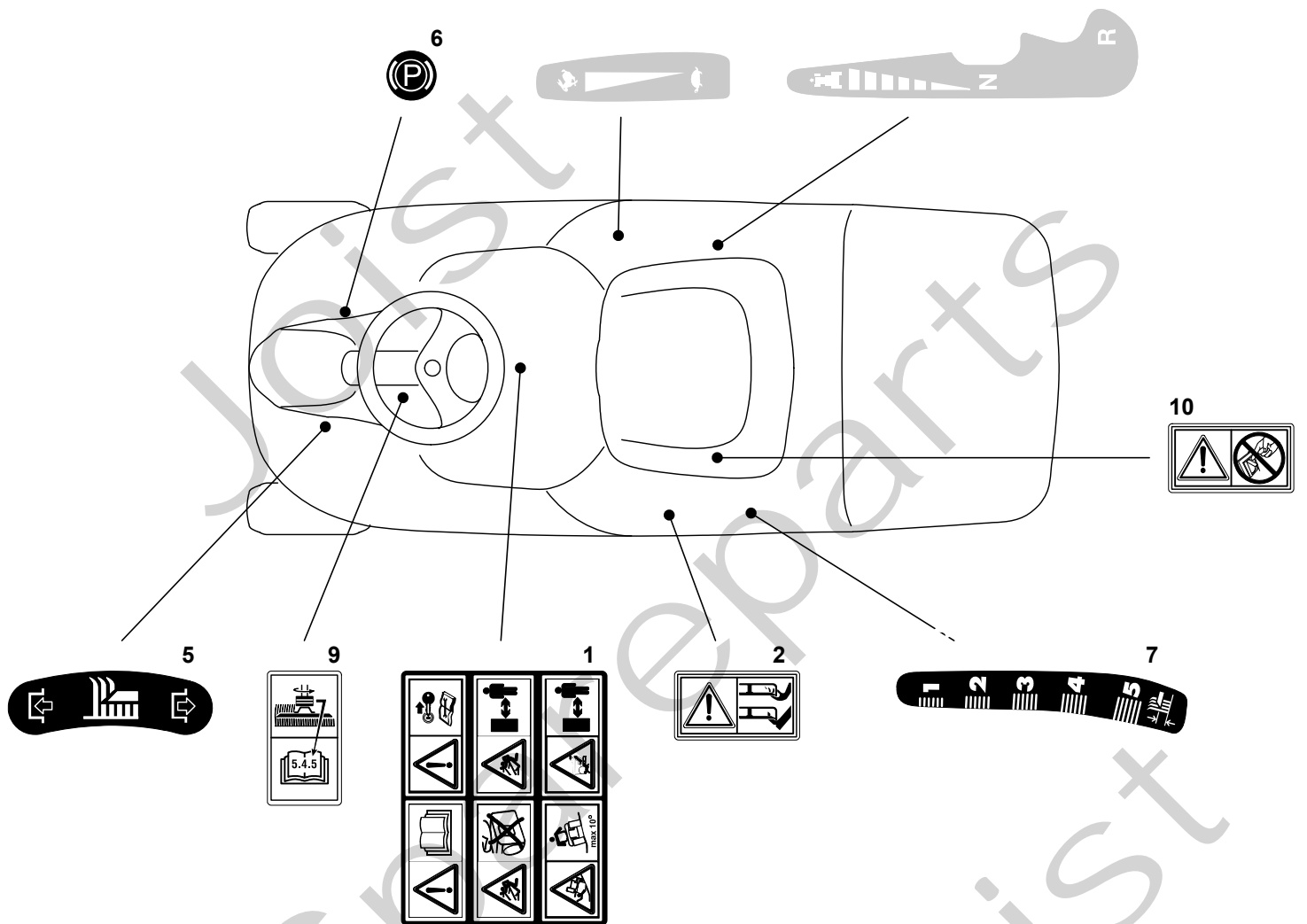
GARDEN COMPACT EV



**GARDEN COMPACT EV**

| Pos. Fig. | Antal Quantity | Art No Part No | Benämning | Description | Anmärkning Notes |
|-----------|----------------|----------------|-----------|-------------|------------------|
| 2 | 1 | 27140052/0 | Deflektor | Deflector | |
| 3 | 1 | 27230201/0 | Vridpunkt | Fulcrum | |
| 4 | 3 | 12735410/0 | Skruv | Screw | |
| 5 | 1 | 25510022/0 | Stift | Pin | |
| 6 | 1 | 24487998/0 | Låsnål | Cotter Pin | |
| 7 | 1 | 27772139/0 | Fäste | Clamp | |
| 8 | 2 | 12735110/0 | Skruv | Screw | |

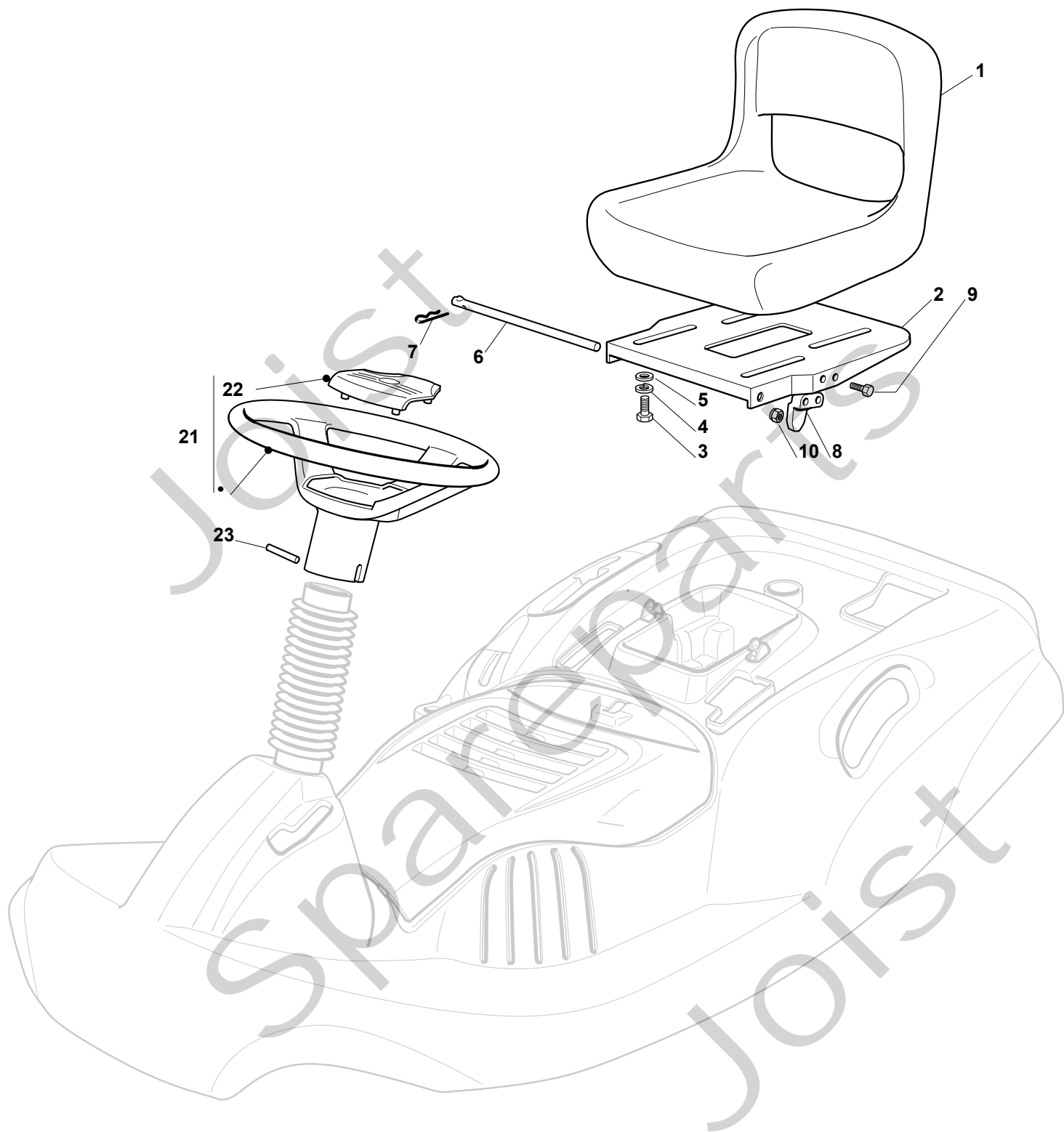
GARDEN COMPACT EV





GARDEN COMPACT EV

| Pos. Fig. | Antal Quantity | Art No Part No | Benämning | Description | Anmärkning Notes |
|-----------|----------------|----------------|-----------|-------------|------------------|
| 1 | 1 | 114357428/1 | Dekal | Label | |
| 1 | 1 | 14357428/0 | Dekal | Label | |
| 2 | 1 | 114356699/1 | Dekal | Label | |
| 2 | 1 | 14356699/0 | Dekal | Label | |
| 5 | 1 | 14358418/0 | Dekal | Label | |
| 6 | 1 | 14358460/0 | Dekal | Label | |
| 7 | 1 | 14358417/0 | Dekal | Label | |
| 9 | 1 | 114358654/1 | Dekal | Label | |
| 10 | 1 | 14360118/0 | Dekal | Label | |

GARDEN COMPACT EV



GARDEN COMPACT EV

| Pos. Fig. | Antal Quantity | Art No Part No | Benämning | Description | Anmärkning Notes |
|-----------|----------------|----------------|-----------|----------------|------------------|
| 1 | 1 | 27722480/0 | Seat | Seat | |
| 2 | 1 | 27546039/1 | Support | Support | |
| 3 | 4 | 12793101/0 | Skruv | Screw | |
| 4 | 4 | 12583500/0 | Bricka | Grower | |
| 5 | 4 | 12523060/0 | Bricka | Washer | |
| 6 | 1 | 27864052/0 | Stift | Pin | |
| 7 | 1 | 24487997/0 | Bricka | Washer | |
| 8 | 1 | 27063021/1 | Fäste | Cam | |
| 9 | 2 | 12789100/0 | Skruv | Screw | |
| 10 | 2 | 12154330/0 | Mutter | Nut | |
| 21 | 1 | 25961218/0 | Rött | Steering Wheel | |
| 22 | 1 | 25580501/0 | Lock | Cap | |
| 23 | 1 | 12620305/0 | Stift | Pin | |