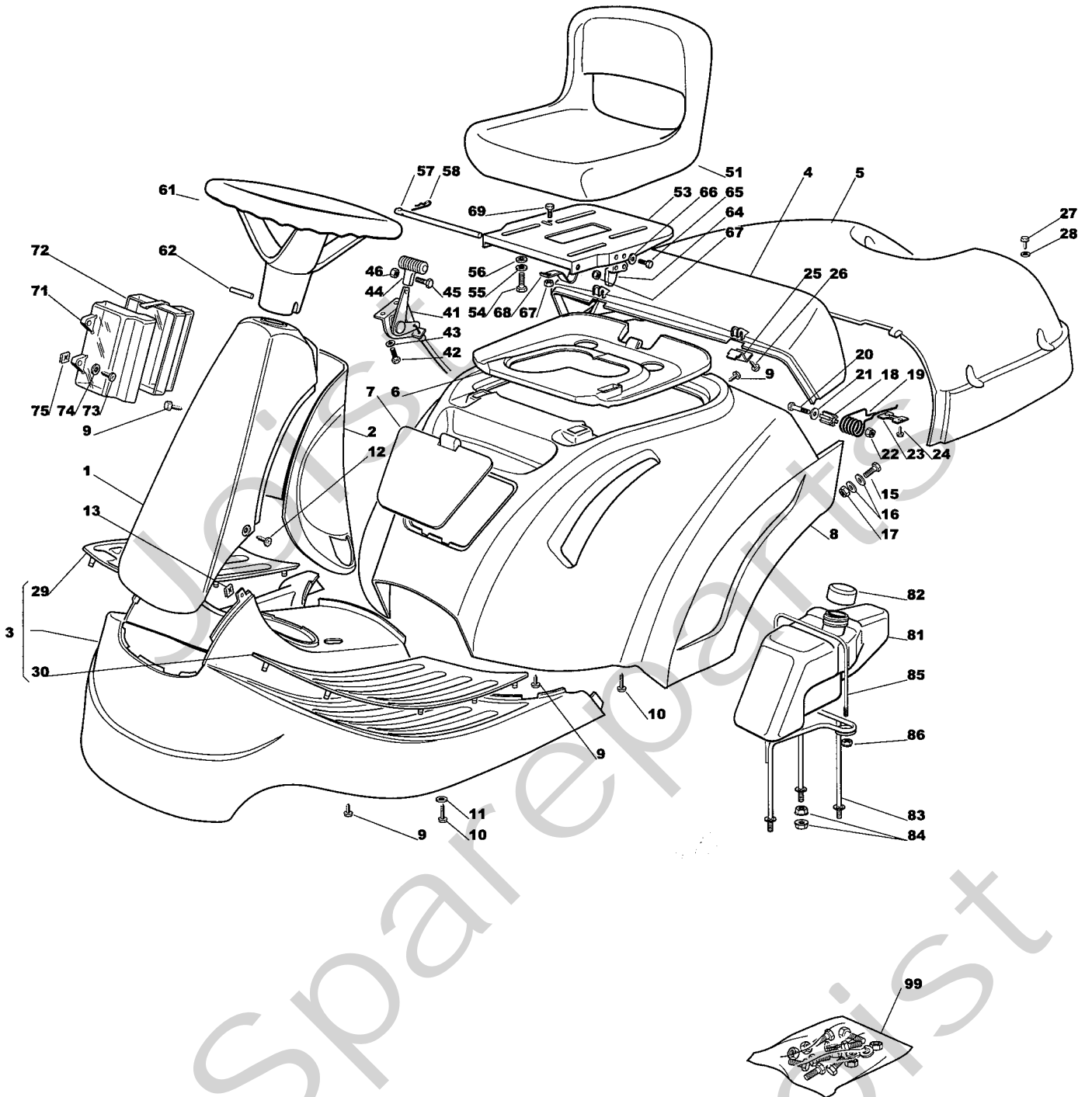


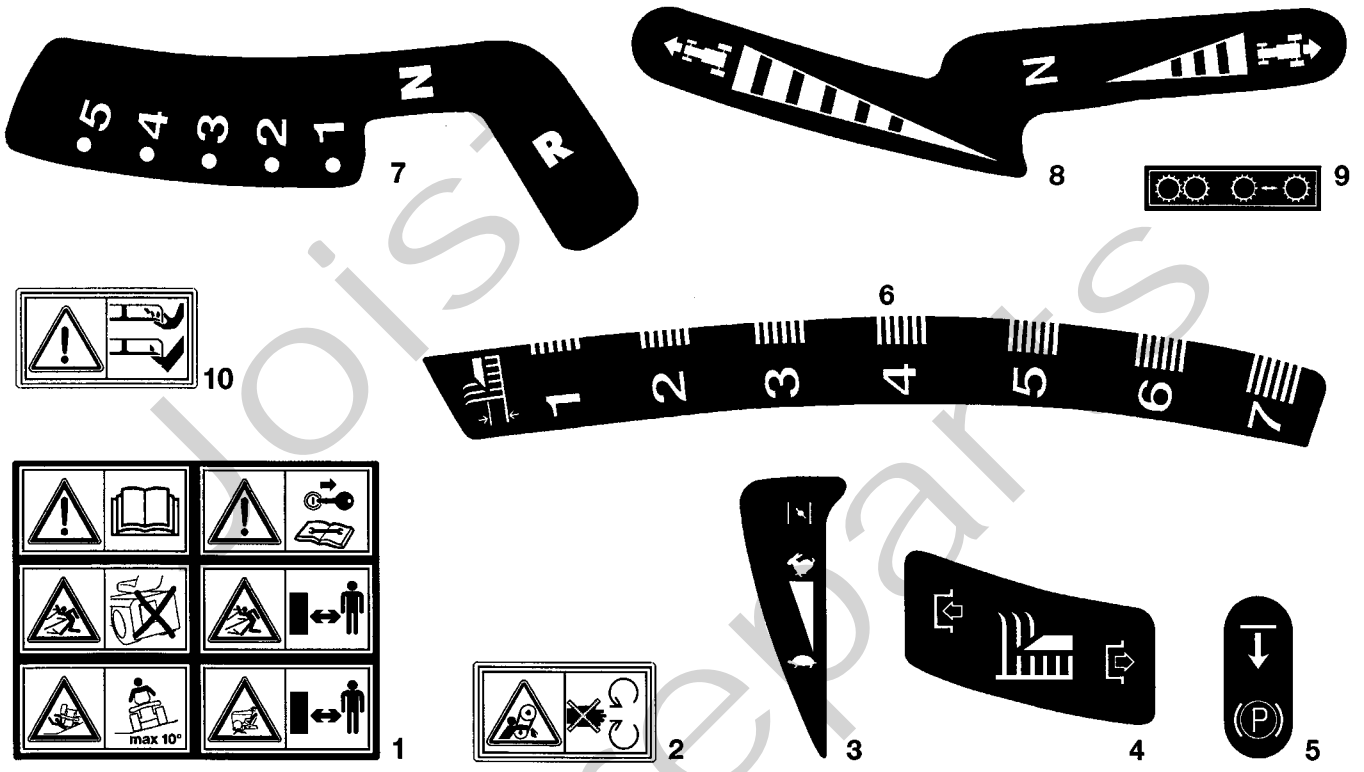
Genuine Spare Parts



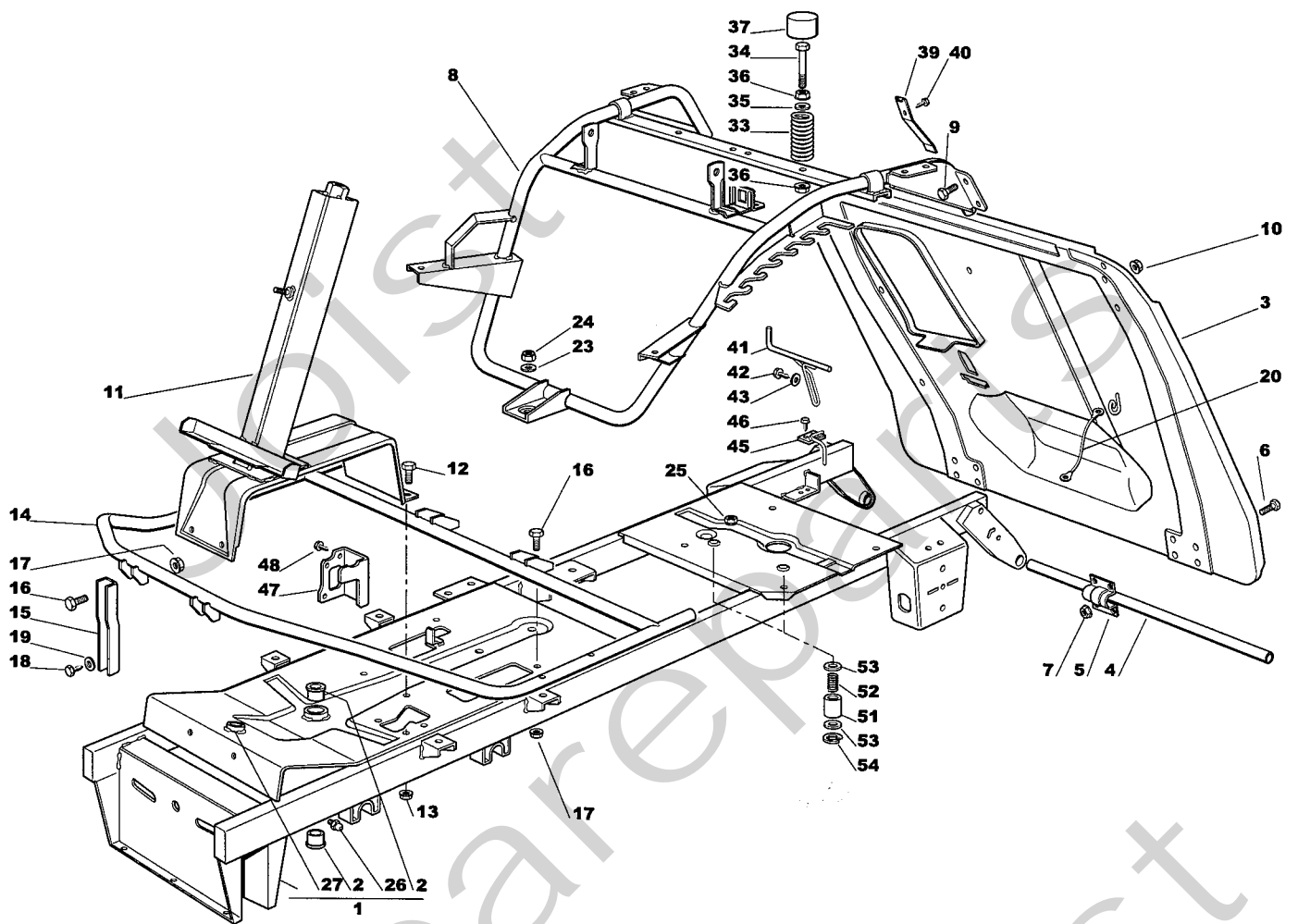
Joist
Spareparts
Joist



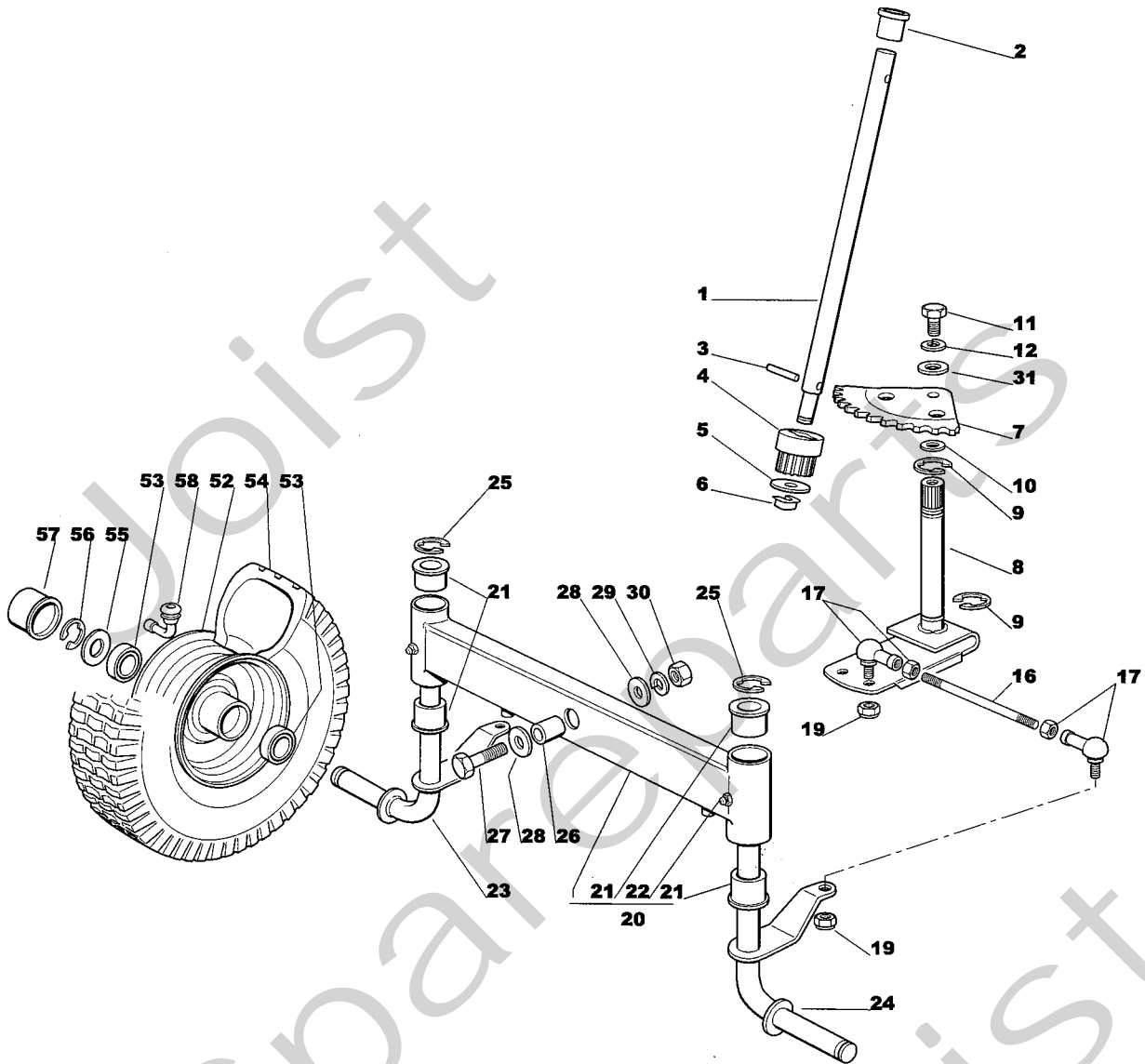
Utgåva Issue		Bildnr Picture No		ESTATE MASTER KAROSS		ESTATE MASTER BODY WORK		Sida Page
2003- 11		1227A						26
Pos. Fig.	Antal/Quantity			Art nr Part No	Benämning	Description	Sats Kit	Anmärkning Notes
	2511	2512						
1	1	1		1136-0585-01	Kåpa- främre	Cover-front		Inkl. pos 29, 30
2	1	1		1136-0415-01	Kåpa- bakre	Cover- rear		
3	1	1		1136-0571-01	Fotstegskåpa	Footboard cover		
4	1	1		1136-0382-01	Uppsammlarlock- fast	Grass bag cover- fixed		
5	1	1		1136-0383-01	Uppsammlarlock- rörligt	Grass bag cover- mobil		
6	1	1		1136-0381-01	Motorlucka	Engine cover		
7	1	1		1136-0378-01	Frontlucka	Front cover		
8	1			1136-0572-01	Hjulåpa	Wheel cover		
8		1		1136-1069-01	Hjulåpa	Wheel cover		
9	10	10		9836-9618-12	Skruv	Screw		
10	8	8		9836-9635-12	Skruv	Screw		
11	2	2		9699-0060-02	Planbricka	Flat washer		
12	2	2		9941-0512-16	Skruv	Screw		
13	2	2		1136-0011-01	Låsplatta	Lock plate		
15	2	2		9997-0616-16	Skruv	Screw		
16	4	4		9699-0060-02	Planbricka	Flat washer		
17	2	2		9747-0631-02	Låsmutter	Lock nut		
18	2	2		1136-0375-01	Bussning	Bushing		
19	2	2		1136-0393-01	Fjäder	Spring		
20	2	2		9997-0845-12	Skruv	Screw		
21	2	2		1136-0014-01	Bricka	Washer		
22	2	2		9747-0831-02	Mutter	Lock nut		
23	2	2		1136-0404-01	Platta	Plate		
24	4	4		9836-9618-12	Skruv	Screw		
25	2	2		1136-0405-01	Plåt	Plate		
26	2	2		9836-9618-12	Skruv	Screw		
27	4	4		9847-8116-16	Skruv	Screw		
28	4	4		9699-0035-02	Planbricka	Flat washer		
29	1	1		1136-0379-01	• Fotstegsskydd- hö	• Footboard cover- RH		
30	1	1		1136-0380-01	• Fotstegsskydd- vä	• Footboard cover- LH		
41	1	1		1136-0556-01	Gasreglage	Throttle control		
42	2	2		9997-0412-16	Skruv	Screw		
43	2	2		9683-0010-02	Bricka	Washer		
44	1	1		1136-0192-01	Knopp	Handle		
45	1	1		9865-0412-16	Skruv	Screw		
46	1	1		9799-0431-02	Mutter	Nut		
51	1	1		1136-0315-01	Sits	Seat		
53	1	1		1136-0252-01	Sitsplatta	Seat plate		
54	4	4		9997-0820-16	• Skruv	• Screw		
55	4	4		9683-0030-02	• Låsbricka	• Lock washer		
56	4	4		9699-0056-02	• Planbricka	• Flat washer		
57	1	1		1136-1017-01	Axel	Pin		
58	1	1		1136-0095-01	Låsnål	Hair pin		
61	1	1		1136-0360-01	Ratt	Steering wheel		
62	1	1		9595-0272-00	• Stift	• Pin		
64	1	1		1136-0942-01	Kam	Cam		
65	2	2		1136-0820-01	Skruv	Screw		
66	2	2		9699-0018-02	Bricka	Washer		
67	3	3		9747-0531-02	Mutter	Nut		
68	1	1		1136-0891-01	Fjäder	Spring		
69	1	1		9997-0512-16	Skruv	Screw		
71	1	1		1136-0275-01	Skydd- övre	Guard- upper		
72	1	1		1136-0276-01	Skydd- nedre	Guard- lower		
73	2	2		9847-8038-16	Skruv	Screw		
74	2	2		9699-0024-02	Planbricka	Flat washer		
75	2	2		1136-0010-01	Låsplatta	Lock plate		
81	1	1		1136-0419-01	Bränsletank	Fuel tank		
82	1	1		1136-0344-01	Tanklock	Tank cap		
83	1	1		1136-0591-01	Tankstöd	Tank support		
84	6	6		9739-0831-22	Mutter	Nut		
85	1	1		1136-0368-01	Tankbygel	Tank clamp		
86	2	2		9747-0631-02	Låsmutter	Lock nut		
99	1	1		1136-1238-01	Tillbehörspåse	Key outfit		



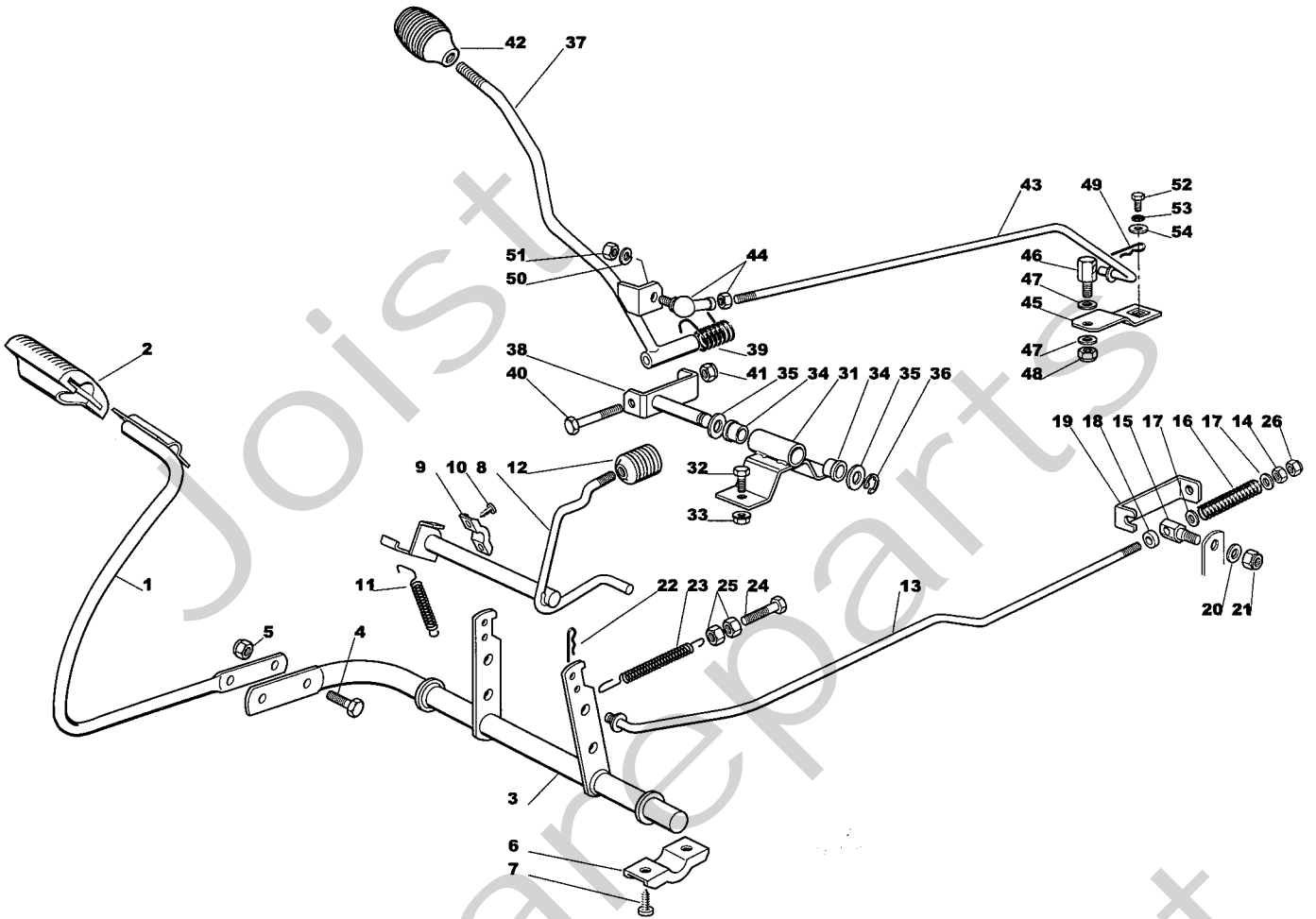
Utgåva Issue		Bildnr Picture No		ESTATE MASTER DEKALER		ESTATE MASTER LABELS		Sida Page	
2003-11		1209A						28	
Pos. Fig.	Antal/Quantity			Art nr Part No	Benämning	Description	Sats Kit	Anmärkning Notes	
	2511	2512							
1	1	1		1136-0035-01	Dekal	Label			
2	1	1		1136-0037-01	Dekal	Label			
3	1	1		1136-0032-01	Dekal	Label			
4	1	1		1136-0036-01	Dekal	Label			
5	1	1		1136-0038-01	Dekal	Label			
6	1	1		1136-0034-01	Dekal	Label			
7	1			1136-0033-01	Dekal	Label			
8		1		1136-0826-01	Dekal	Label			
9		1		1136-0030-01	Dekal	Label			
10	2	2		1136-0021-01	Dekal	Label			



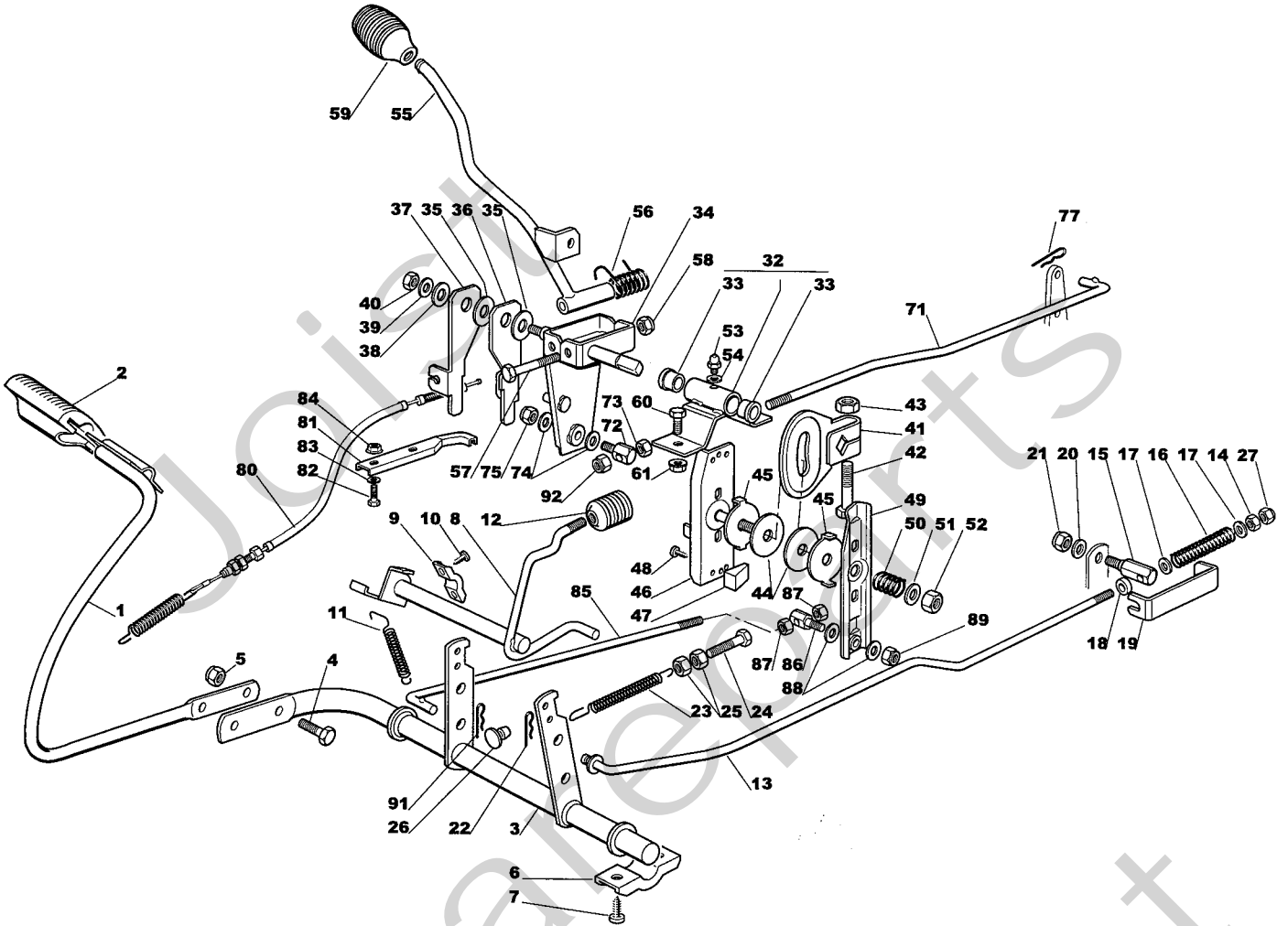
Utgåva Issue 2003-11		Bildnr Picture No 1226B		ESTATE MASTER CHASSI		ESTATE MASTER CHASSIS		Sida Page 30
Pos. Fig.	Antal/Quantity			Art nr Part No	Benämning	Description	Sats Kit	Anmärkning Notes
	2511	2512						
X	1	1	1	1136-1299-01	Ram.....	Frame.....		Inkl. pos 2, 26, 27
	2	2	2	1136-0121-01	• Bussning.....	• Bushing.....		
	3	1	1	1136-0582-01	Plåt- bak.....	Plate- rear.....		
	4	1	1	1136-0371-01	Pivotstång.....	Pivot.....		
	5	2	2	1136-0251-01	Bygel.....	Clamp.....		
	6	8	8	9997-0616-16	Skruv.....	Screw.....		
	7	8	8	9739-0631-22	Mutter.....	Nut.....		
X	8	1	1	1136-1288-01	Ram- övre.....	Frame- top.....		
	9	4	4	9997-0816-16	Skruv.....	Screw.....		
	10	4	4	9739-0831-22	Mutter.....	Nut.....		
	11	1	1	1136-0592-01	Stöd.....	Support.....		
	12	4	4	9997-0816-16	Skruv.....	Screw.....		
	13	4	4	9739-0831-22	Mutter.....	Nut.....		
	14	1	1	1136-0595-01	Fotstegshållare.....	Footboard holder.....		
	15	2	2	1136-0423-01	Stöd.....	Support.....		
	16	4	4	9997-0816-16	Skruv.....	Screw.....		
	17	4	4	9739-0831-22	Mutter.....	Nut.....		
	18	2	2	9847-8216-16	Skruv.....	Screw.....		
	19	2	2	9699-0035-02	Planbricka.....	Flat washer.....		
	20	1	1	1136-0566-01	Lina.....	Cord.....		
	23	1	1	9699-0056-02	Planbricka.....	Flat washer.....		
	24	1	1	9747-0831-02	Mutter.....	Lock nut.....		
	25	1	1	1136-0013-01	Mutter.....	Nut.....		
X	26	1	1	9501-0500-00	• Smörjnippel.....	• Grease joint.....		
X	27	1	1	1136-1226-01	• Bussning.....	• Bushing.....		
X	33	2	2	1136-1240-01	Fjäder.....	Spring.....		
X	34	2	2	1136-1250-01	Skruv.....	Screw.....		
	35	2	2	9699-0090-02	Planbricka.....	Flat washer.....		
	36	4	4	9739-0831-22	Mutter.....	Nut.....		
	37	2	2	1136-0156-01	Lock.....	Cap.....		
	39	1	1	1136-0395-01	Fjäder.....	Spring.....		
	40	1	1	9848-8013-16	Skruv.....	Screw.....		
	41	1	1	1136-0387-01	Styrning.....	Guide.....		
	42	1	1	9847-8216-16	Skruv.....	Screw.....		
	43	1	1	9699-0060-02	Planbricka.....	Flat washer.....		
	45	1		1136-0388-01	Remstyrning.....	Belt guide.....		
	46	2		9848-8013-16	Skruv.....	Screw.....		
	47	1	1	1136-0421-01	Fäste.....	Clamp.....		
	48	2	2	9847-7809-16	Skruv.....	Screw.....		
X	51	2	2	1136-1254-01	Bussning.....	Bushing.....		
X	52	2	2	1136-1266-01	Fjäder.....	Spring.....		
	53	4	4	1136-0308-01	Bricka.....	Washer.....		
X	54	2	2	1136-1211-01	Låsring.....	Snap ring.....		



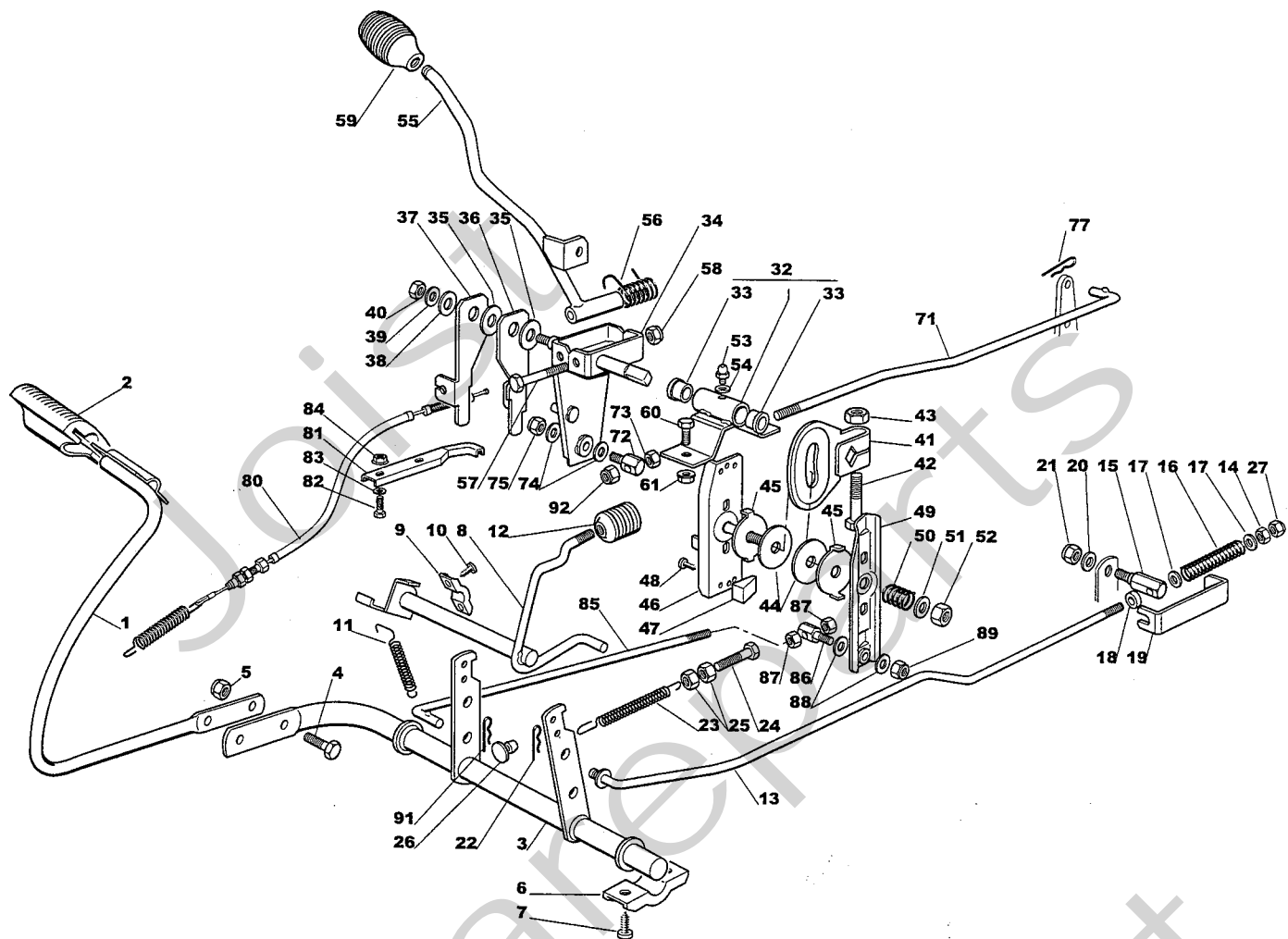
Utgåva Issue		Bildnr Picture No		ESTATE MASTER STYRNING		ESTATE MASTER STEERING		Sida Page	
2003-11		1228						32	
Pos. Fig.	Antal/Quantity			Art nr Part No	Benämning	Description	Sats Kit	Anmärkning Notes	
	2511	2512							
1	1			1136-0403-01	Rattstång	Steering column.....			
2	1			1136-0124-01	Bussning	Bushing			
3	1			9595-0262-00	Spännstift	Locating pin			
4	1			1136-0408-01	Styrdrev	Steering pinion.....			
5	1			9699-0037-02	Bricka	Washer.....			
6	1			1136-0008-01	Låsplatta	Lock plate			
7	1			1136-0588-01	Styrsektor	Steering sector.....			
8	1			1136-0557-01	Styraxel	Steering shaft.....			
9	2			9652-0015-04	Låsring	Retaining ring			
10	0-2			9695-0014-00	Bricka	Washer.....			
11	1			9997-0820-16	Skruv	Screw.....			
12	1			9683-0030-02	Låsbricka	Lock washer.....			
16	2			1136-0424-01	Styrstag	Tie rod			
17	4			1136-0092-01	Kulled	Ball joint.....			
19	4			9747-1031-02	Låsmutter	Lock nut.....			
20	1			1136-0564-01	Framaxel kpl	Front wheel axle assy.....		Inkl. pos 21, 22	
21	4			1136-0121-01	• Bussning.....	• Bushing.....			
22	2			9501-0500-00	• Smörjnippel	• Grease joint.....			
23	1			1136-0575-01	Hjulspindel- hö.....	Stub axle- RH			
24	1			1136-0576-01	Hjulspindel- vä.....	Stub axle- LH.....			
25	2			9652-0015-04	Låsring	Retaining ring			
26	1			1136-0165-01	Distans	Spacer.....			
27	1			9997-1260-02	Skruv	Screw.....			
28	2			1136-0016-01	Bricka	Washer.....			
29	1			9683-0055-02	Låsbricka	Lock washer.....			
30	1			9799-1231-02	Mutter.....	Nut.....			
31	1			9699-0090-02	Planbricka.....	Flat washer.....			
52	2			1136-0567-01	Fälg.....	Rim.....			
53	4			1136-0157-01	Lager	Bearing.....			
54	2			1136-0409-01	Däck (Turf Saver).....	Tire (Turf Saver).....			
54	2			1136-0411-01	Däck (Deli).....	Tire (Deli).....			
55	2			1136-0305-01	Bricka	Washer.....			
56	2			9652-0015-04	Låsring	Retaining ring			
57	2			1136-0081-01	Navkapsel	Hub cap.....			
58	2			1136-0359-01	Ventil	Valve.....			



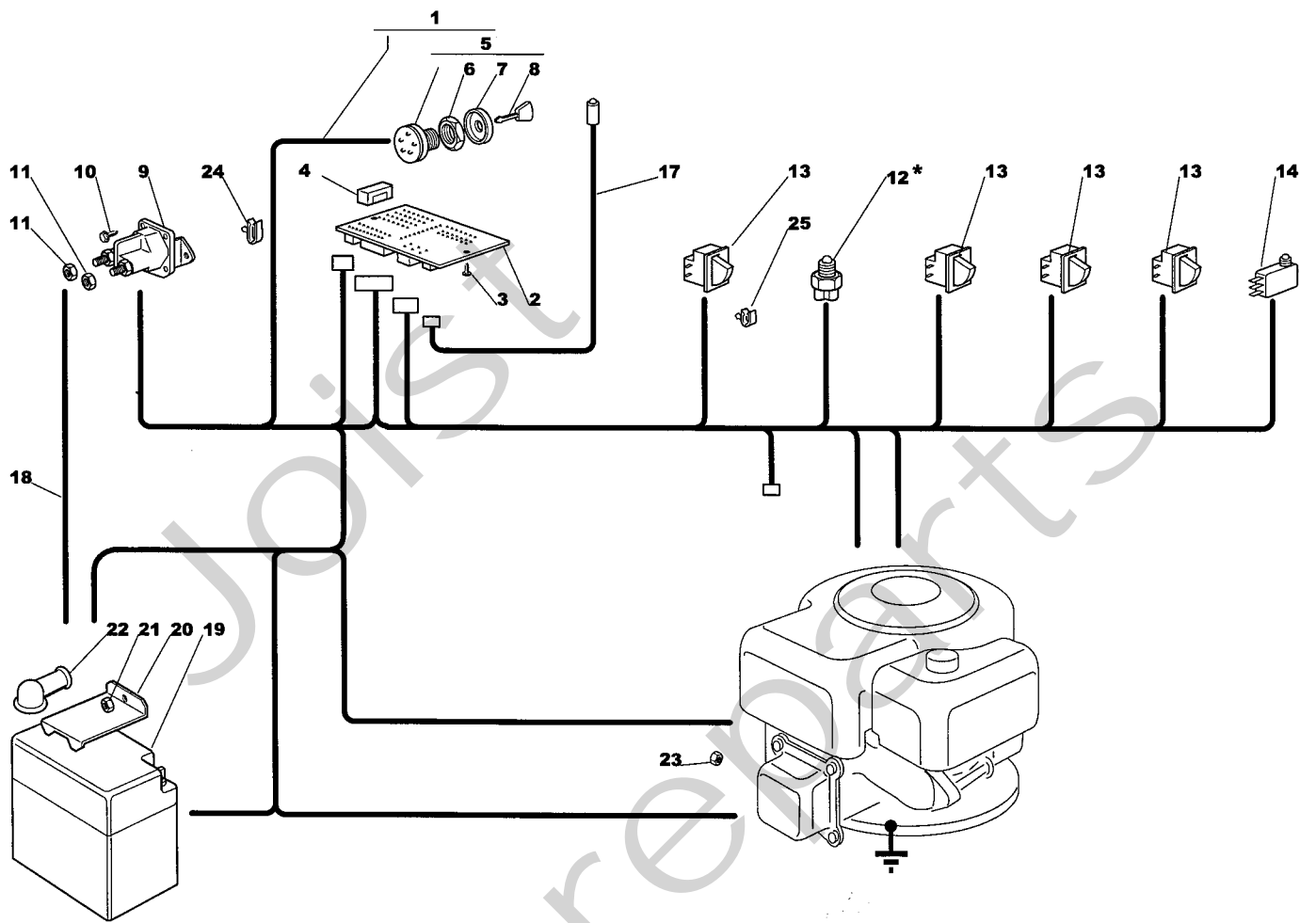
Utgåva Issue 2003-11		Bildnr Picture No 1229A		ESTATE MASTER BROMSREGLAGE VÅXELREGLAGE		ESTATE MASTER BRAKE CONTROL GEAR SHIFTER CONTROL		Sida Page 34	
Pos. Fig.	Antal/Quantity				Art nr Part No	Benämning	Description	Sats Kit	Anmärkning Notes
	2511								
1	1				1136-0581-01	Bromspedal	Brake pedal		
2	1				1136-0152-01	Pedalskydd	Pedal cover		
3	1				1136-0562-01	Pedalaxel	Pedal shaft		
4	2				9997-0825-16	Skruv	Screw		
5	2				9747-0831-02	Mutter	Lock nut		
6	2				1136-0406-01	Bygel	Clamp		
7	4				9847-8119-16	Skruv	Screw		
8	1				1136-0561-01	P- bromsaxel	Parking brake shaft		
9	2				1136-0256-01	Bygel	Plate		
10	4				9847-8016-16	Skruv	Screw		
11	1				1136-0394-01	Fjäder	Spring		
12	1				1136-0392-01	Knopp	Knob		
13	1				1136-0369-01	Bromsstång	Brake rod		
14	1				9799-0831-02	Mutter	Nut		
15	1				1136-0402-01	Ledbult	Pivot bolt		
16	1				1136-0218-01	Fjäder	Spring		
17	2				9699-0090-02	Planbricka	Flat washer		
18	1				1136-0084-01	Distans	Spacer		
19	1				1136-0329-01	Bygel	Clamp		
20	1				9699-0085-02	Planbricka	Flat washer		
21	1				9747-0631-02	Låsmutter	Lock nut		
22	1				1136-0095-01	Låsnål	Hair pin		
23	1				1136-0209-01	Fjäder	Spring		
24	1				1136-0094-01	Skruv	Screw		
25	2				9799-0831-02	Mutter	Nut		
26	1				9747-0831-02	Mutter	Lock nut		
31	1				1136-0589-01	Fäste	Support		
32	1				9997-0820-16	Skruv	Screw		
33	1				9739-0831-22	Mutter	Nut		
34	2				1136-0374-01	Bussning	Bushing		
35	2				9699-0037-02	Bricka	Washer		
36	1				9650-0012-04	Seegersäkring	Circlip		
37	1				1136-0577-01	Växelspak	Gearshift lever		
38	1				1136-0590-01	Bygel	Clamp		
39	1				1136-0212-01	Fjäder	Spring		
40	1				9997-0880-16	Skruv	Screw		
41	1				9747-0831-02	Mutter	Lock nut		
42	1				1136-0503-01	Knopp	Knob		
43	1				1136-0366-01	Växlestång	Shifter rod		
44	1				1136-0093-01	Kulled	Ball joint		
45	1				1136-0390-01	Växelarm	Gearshift arm		
46	1				1136-0235-01	Ledbult	Pivot bolt		
47	2				1136-0309-01	Bricka	Washer		
48	1				9747-0831-02	Mutter	Lock nut		
49	1				1136-0095-01	Låsnål	Hair pin		
50	1				9683-0030-02	Låsbricka	Lock washer		
51	1				9799-0831-02	Mutter	Nut		
52	1				9987-5016-16	Skruv	Screw		
53	1				9678-0008-02	Låsbricka	Lock washer		
54	1				1136-0091-01	Bricka	Washer		



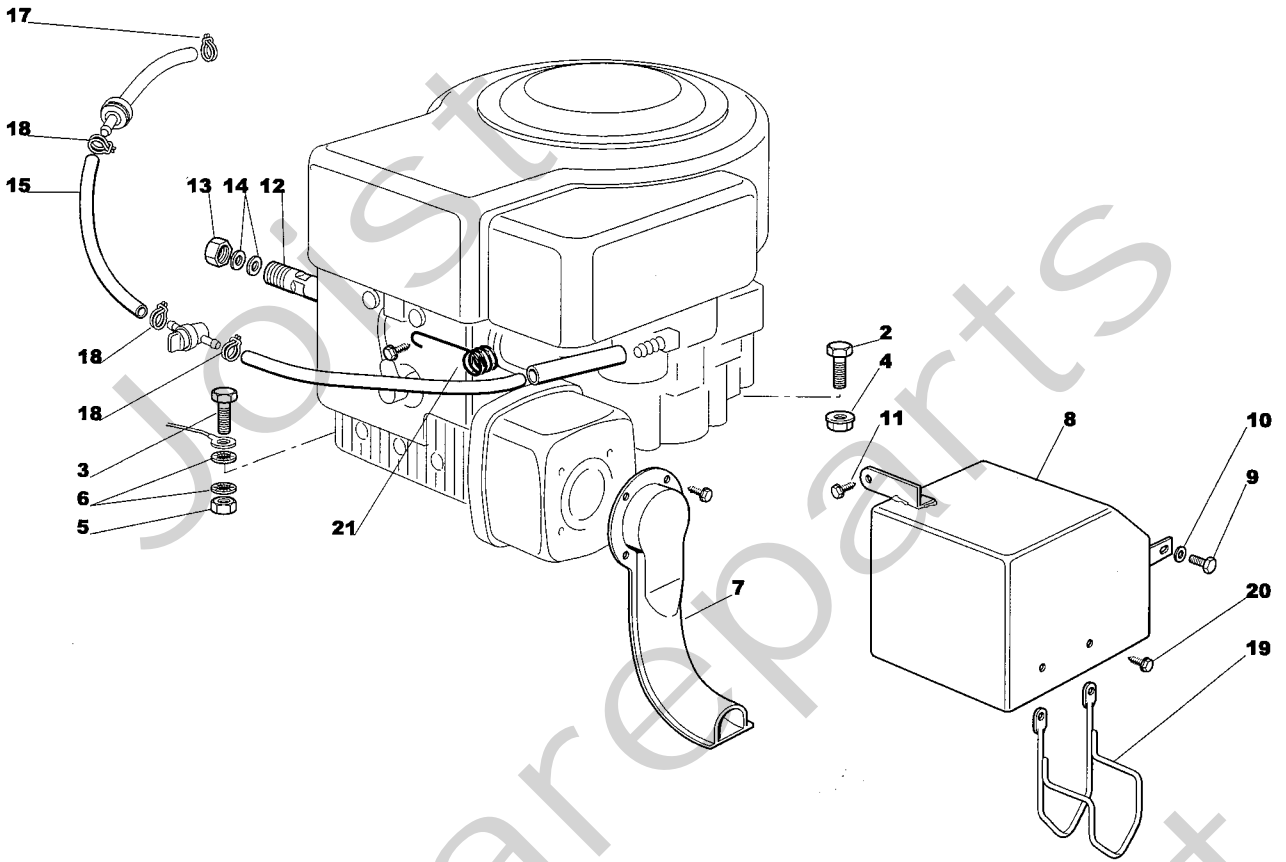
Utgåva Issue		Bildnr Picture No		ESTATE MASTER HST BROMSREGLAGE DRIVREGLAGE		ESTATE MASTER HST BRAKE CONTROL DRIVE CONTROL		Sida Page	
2003-11		1445A						36	
Pos. Fig.	Antal/Quantity				Art nr Part No	Benämning	Description	Sats Kit	Anmärkning Notes
	2512								
1	1			1136-0581-01	Bromspedal	Brake pedal			
2	1			1136-0151-01	Pedalskydd	Pedal cover			
3	1			1136-0562-01	Pedalaxel	Pedal shaft			
4	2			9997-0825-16	Skruv	Screw			
5	2			9747-0831-02	Mutter	Lock nut			
6	2			1136-0406-01	Bygel	Clamp			
7	4			9847-8119-16	Skruv	Screw			
8	1			1136-0561-01	P-bromsaxel	Parking brake shaft			
9	2			1136-0256-01	Bygel	Plate			
10	4			9847-8016-16	Skruv	Screw			
11	1			1136-0394-01	Fjäder	Spring			
12	1			1136-0392-01	Knopp	Knob			
13	1			1136-0930-01	Stång	Rod			
14	1			9799-0831-02	Mutter	Nut			
15	1			1136-0402-01	Ledbult	Pivot bolt			
16	1			1136-0218-01	Fjäder	Spring			
17	2			9699-0090-02	Planbricka	Flat washer			
18	1			1136-0084-01	Distans	Spacer			
19	1			1136-0329-01	Bygel	Clamp			
20	1			9699-0085-02	Planbricka	Flat washer			
21	1			9747-0631-02	Låsmutter	Lock nut			
22	1			1136-0095-01	Låsnål	Hair pin			
23	1			1136-0204-01	Fjäder	Spring			
24	1			1136-0094-01	Skruv	Screw			
25	2			9799-0831-02	Mutter	Nut			
26	1			1136-0386-01	Gummiplugg	Grommet			
27	1			9747-0831-02	Mutter	Lock nut			
32	1			1136-1099-01	Fäste m.lager	Bracket w.bush		Inkl. pos 33	
33	2			1136-0937-01	• Bussning	• Bush			
34	1			1136-1096-01	Arm	Lever			
35	2			1136-0088-01	Bricka	Washer			
36	1			1136-1000-01	Bygel	Clamp			
37	1			1136-1001-01	Bygel	Clamp			
38	1			1136-0089-01	Bricka	Washer			
39	1			9699-0056-02	Planbricka	Flat washer			
40	1			9712-0831-02	Låsmutter	Lock nut			
41	1			1136-0996-01	Sektor	Sector			
42	1			1136-0824-01	Skruv	Screw			
43	1			1136-0806-01	Mutter	Nut			
44	2			1136-0950-01	Platta	Plate			
45	2			1136-0992-01	Bricka	Washer			
46	1			1136-1098-01	Bygel	Clamp			
47	2			1136-0941-01	Kam	Cam			
48	2			9848-8013-16	Skruv	Screw			
49	1			1136-1097-01	Arm	Lever			
50	1			1136-0958-01	Fjäder	Spring			
51	1			1136-0308-01	Bricka	Washer			
52	1			1136-0806-01	Mutter	Nut			
53	1			9501-0500-00	Smörjnippl	Grease joint			
54	1			9699-0035-02	Planbricka	Flat washer			
55	1			1136-0577-01	Växelspak	Gearshift lever			
56	1			1136-0212-01	Fjäder	Spring			
57	1			9997-0880-16	Skruv	Screw			
58	1			9747-0831-02	Mutter	Lock nut			
59	1			1136-0503-01	Knopp	Knob			
60	1			9997-0825-16	Skruv	Screw			
61	1			9739-0831-22	Mutter	Nut			
71	1			1136-0931-01	Stång	Rod			
72	1			1136-0235-01	Ledbult	Pivot bolt			
73	1			9799-0831-02	Mutter	Nut			
74	2			1136-0309-01	Bricka	Washer			
75	1			9712-0831-02	Låsmutter	Lock nut			
77	1			1136-0095-01	Låsnål	Hair pin			



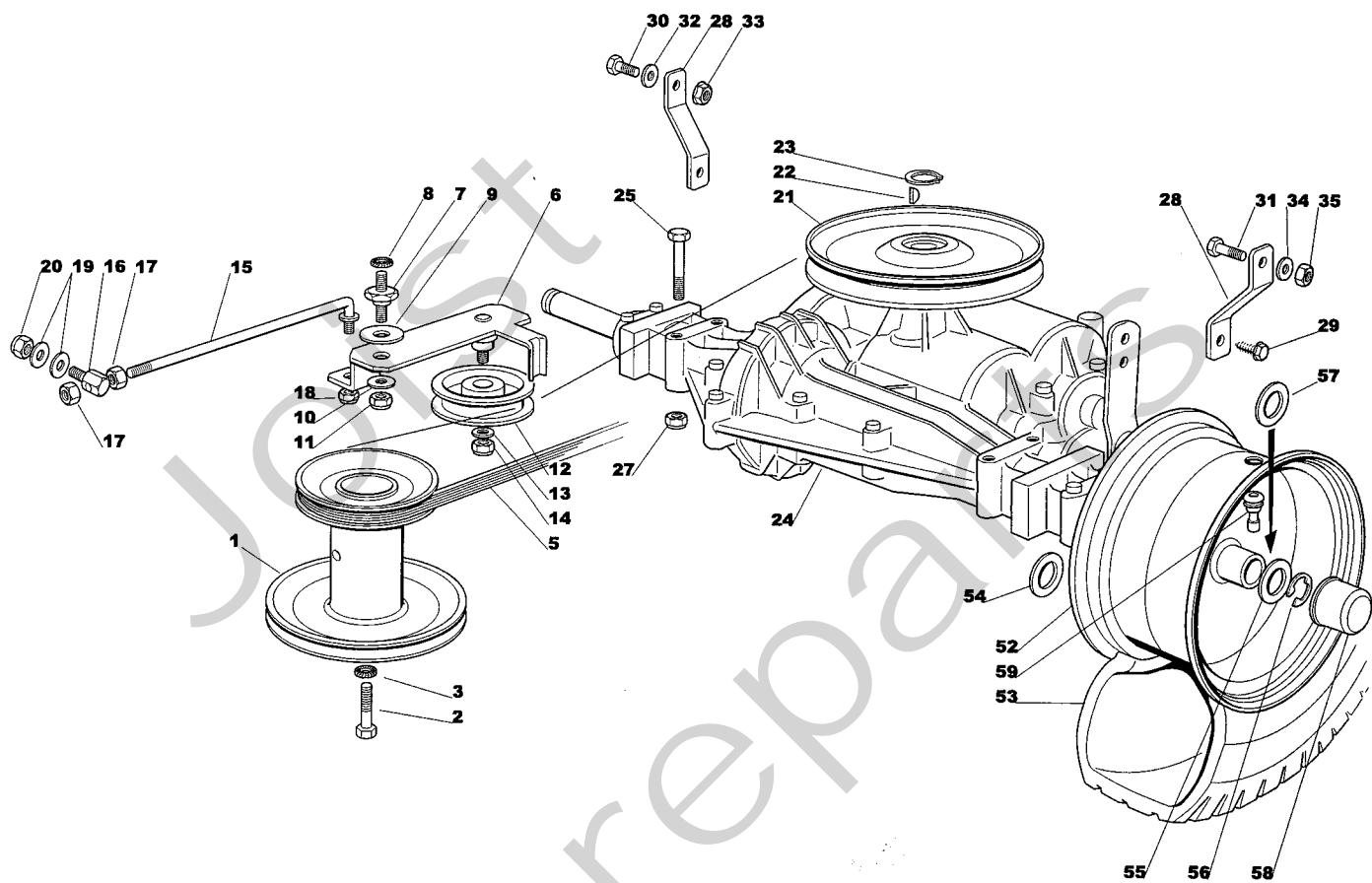
Utgåva Issue 2003-11		Bildnr Picture No 1445A		ESTATE MASTER HST BROMSREGLAGE DRIVREGLAGE		ESTATE MASTER HST BRAKE CONTROL DRIVE CONTROL		Sida Page 38	
Pos. Fig.	Antal/Quantity				Art nr Part No	Benämning	Description	Sats Kit	Anmärkning Notes
	2512								
80	1				1136-1072-01	Wire.....	Wire.....		
81	1				1136-1002-01	Bygel.....	Clamp.....		
82	2				9997-0620-16	Skruv.....	Screw.....		
83	2				9699-0035-02	Planbricka.....	Flat washer.....		
84	2				9739-0631-22	Mutter.....	Nut.....		
85	1				1136-0929-01	Stång.....	Rod.....		
86	1				1136-0235-01	Ledbult.....	Pivot bolt.....		
87	2				9799-0831-02	Mutter.....	Nut.....		
88	2				1136-0309-01	Bricka.....	Washer.....		
89	1				9712-0831-02	Låsmutter.....	Lock nut.....		
91	1				1136-0095-01	Låsnål.....	Hair pin.....		
92	1				9747-0831-02	Mutter.....	Lock nut.....		



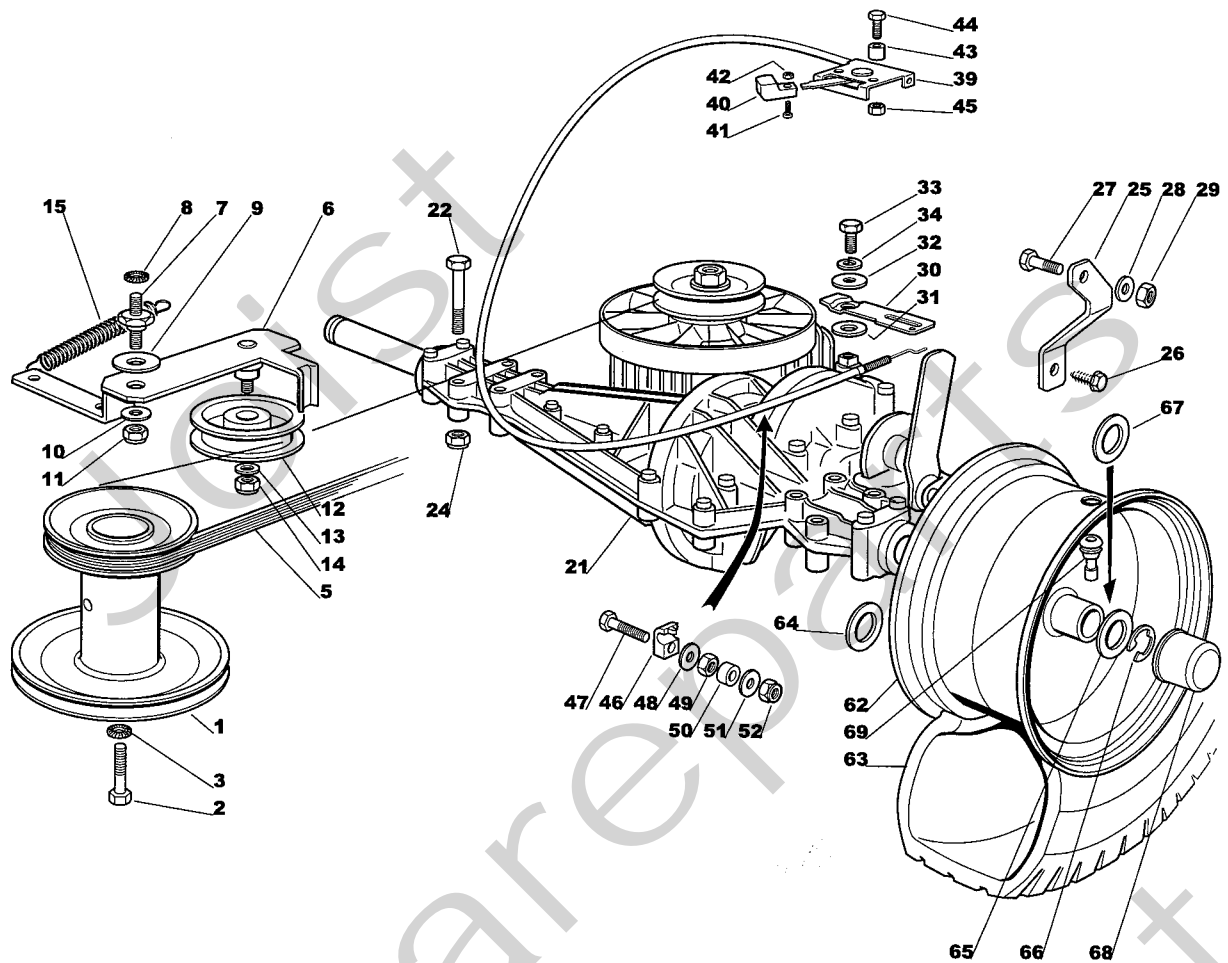
Utgåva Issue		Bildnr Picture No		ESTATE MASTER ELUTRUSTNING		ESTATE MASTER EL. EQUIPMENT		Sida Page	
2003- 11		1236A						40	
Pos. Fig.	Antal/Quantity			Art nr Part No	Benämning	Description	Sats Kit	Anmärkning Notes	
	2511 2512								
X 1	1			1136-1293-01	Kabelhärva.....	Harness.....		Inkl. pos 5	
2	1			1136-0314-01	Elektronikkort.....	Electronic card.....			
3	2			9847-7813-16	Skruv.....	Screw.....			
4	1			1136-0428-01	• Säkring.....	• Fuse.....		6.3 A	
5	1			1136-0056-01	• Tändningslås.....	• Ignition switch.....		Inkl. pos 6 - 8	
6	1			1136-0049-01	•• Mutter.....	•• Nut.....			
7	1			1134-4097-01	•• Täckåpa.....	•• Cap.....			
8	1			1134-2848-01	•• Tändningsnyckel.....	•• Ignition key.....			
9	1			1136-0064-01	Startrelä.....	Solenoid.....			
10	2			9848-8013-16	Skruv.....	Screw.....			
11	2			9794-5131-02	Mutter.....	Nut.....			
12	1			786201	Brytare.....	Neutral start switch.....		Växellåda/gearbox	
13	4			1136-0073-01	Mikrobrytare.....	Micro switch.....			
14	1			1136-0072-01	Mikrobrytare.....	Micro switch.....		Full upps./grass bag	
17	1			1136-0135-01	Kabel.....	Cable.....			
18	1			1136-0376-01	Kabel.....	Cable.....			
19	1			1134-4804-01	Batteri.....	Battery.....			
20	1			1136-0422-01	Batterihållare.....	Battery holder.....			
21	1			9747-0831-02	Mutter.....	Lock nut.....			
22	1			1136-0059-01	Polskydd.....	Protection.....			
23	1			9795-3531-02	Mutter.....	Nut.....			
24	3			1136-0427-01	Kabelhållare.....	Cable holder.....			
25	1			1136-0426-01	Kabelhållare.....	Cable holder.....			
X 99	1			1136-1238-01	Tillbehörspåse.....	Key outfit.....		Inkl. pos 4, 8	



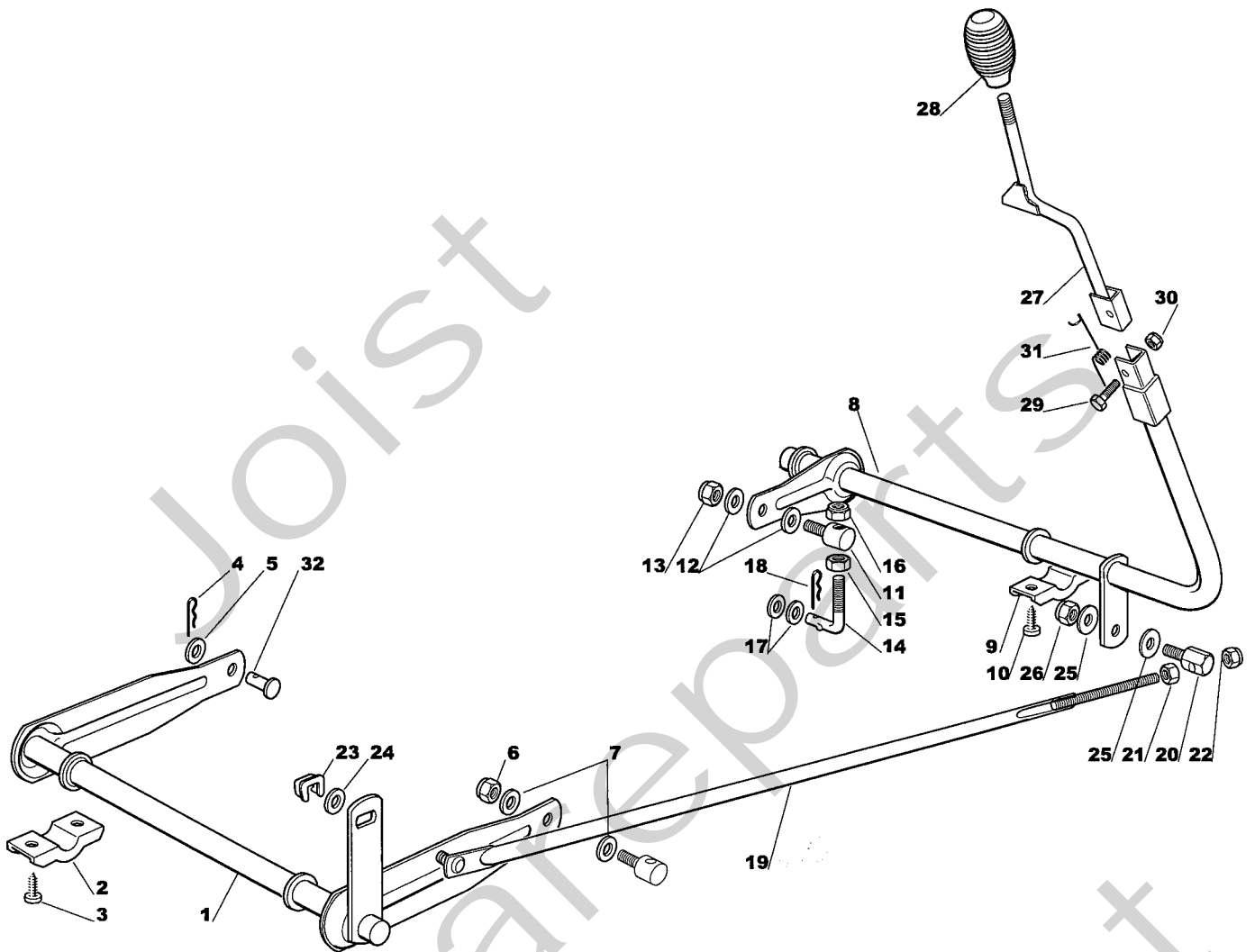
Utgåva Issue		Bildnr Picture No		ESTATE MASTER MOTOR		ESTATE MASTER ENGINE		Sida Page	
2003- 11		1230						42	
Pos. Fig.	Antal/Quantity			Art nr Part No	Benämning	Description	Sats Kit	Anmärkning Notes	
	2511	2512							
2	3			9997- 0830- 16	Skruv	Screw			
3	1			9997- 0835- 12	Skruv	Screw			
4	3			9739- 0831- 22	Mutter	Nut			
5	1			9799- 0831- 02	Mutter	Nut			
6	2			9677- 0009- 02	Låsbricka	Lock washer			
7	1			1136- 0586- 01	Avgasrör	Exhaust tube			
8	1			1136- 0518- 01	Ljuddämparskydd	Muffler protection			
9	1			9988- 3513- 16	Skruv	Screw			
10	1			9677- 0009- 02	Låsbricka	Lock washer			
11	1			9847- 8113- 16	Skruv	Screw			
12	1			1136- 0413- 01	Oljeavtappningsrör	Oil drain pipe			
13	1			1136- 0066- 01	Oljeavtappningsplugg	Oil drain plug			
14	2			1136- 0054- 01	Tätningring	Oil seal			
15	1			1136- 0352- 01	Bränsleslang	Fuel hose			
17	1			1136- 0046- 01	Slangklämma	Hose clamp			
18	3			1136- 0045- 01	Slangklämma	Hose clamp			
19	1			1136- 0414- 01	Utblåsskydd	Exhaust protection			
20	2			9848- 8013- 16	Skruv	Screw			
21	1			1136- 0397- 01	Fjäder	Spring			



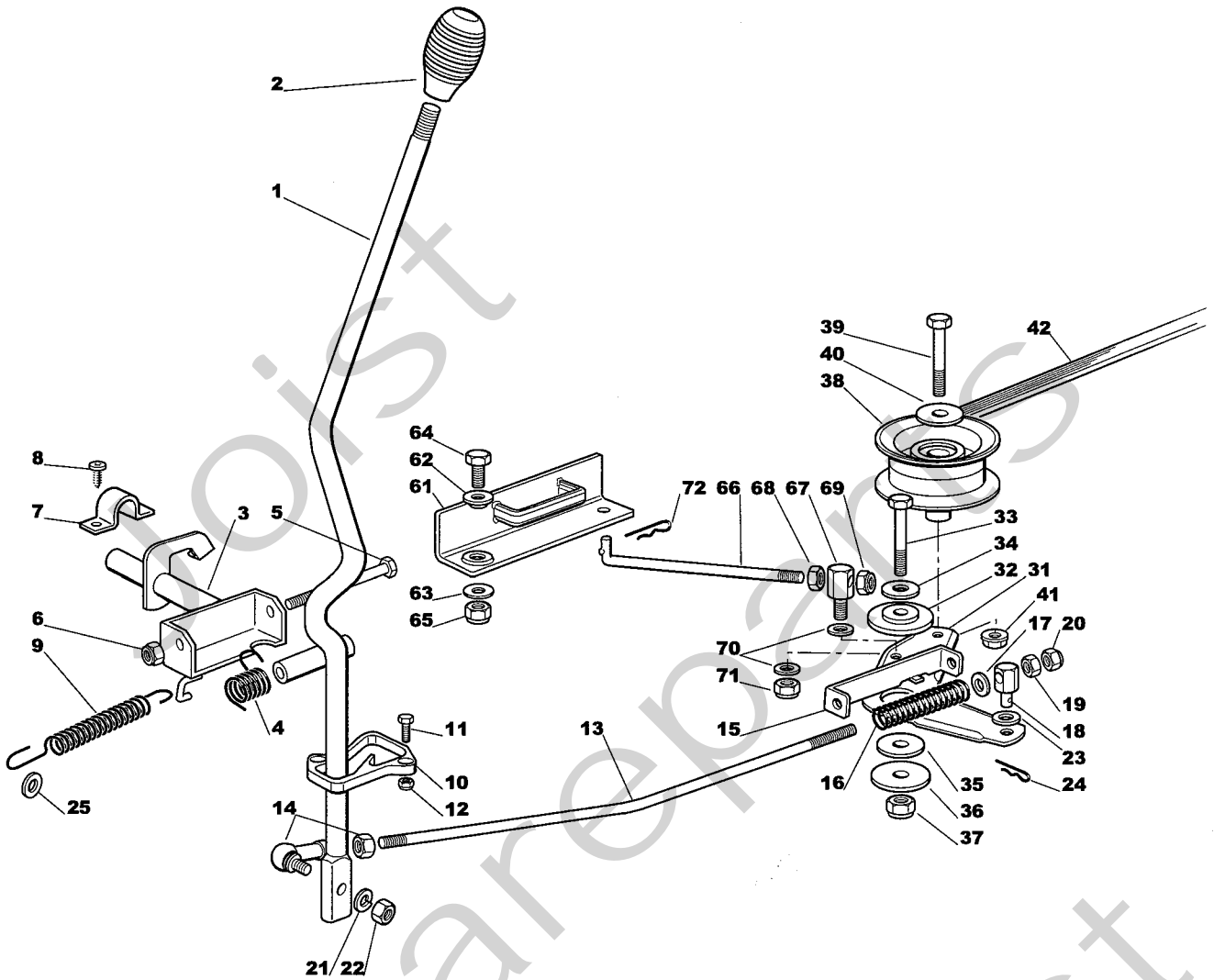
Utgåva Issue 2003-11		Bildnr Picture No 1231		ESTATE MASTER TRANSMISSION		ESTATE MASTER TRANSMISSION		Sida Page 44	
Pos. Fig.	Antal/Quantity			Art nr Part No	Benämning	Description	Sats Kit	Anmärkning Notes	
	2511								
1	1			1136-0418-01	Motorremskiva	Engine belt pulley			
2	1			9987-5351-12	Skruv	Screw			
3	1			9683-0045-02	Bricka	Washer			
5	1			1136-0430-01	Kilrem	V-belt			
6	1			1136-0578-01	Spännarm	Tension arm			
7	1			1136-0400-01	Pinnbult	Stud bolt			
8	1			9677-0009-02	Låsbricka	Lock washer			
9	1			1136-0088-01	Bricka	Washer			
10	1			1136-0309-01	Bricka	Washer			
11	1			9712-0831-02	Låsmutter	Lock nut			
12	1			1136-0289-01	Spännrulle	Idler pulley			
13	1			9699-0056-02	Planbricka	Flat washer			
14	1			9747-0831-02	Mutter	Lock nut			
15	1			1136-0367-01	Spännstång	Tie rod			
16	1			1136-0235-01	Ledbult	Pivot bolt			
17	2			9799-0831-02	Mutter	Nut			
18	1			9747-0831-02	Mutter	Lock nut			
19	2			1136-0309-01	Bricka	Washer			
20	1			9747-0831-02	Mutter	Lock nut			
21	1			1136-0520-01	Remskiva	Belt pulley			
22	1			9600-0050-00	Woodruffkil	Key			
23	1			9650-0016-04	Spärring	Lock ring			
24	1			1136-0051-01	Transaxel	Transaxle		Peerless MST 205-541	
25	4			9997-0860-16	Skruv	Screw			
27	4			9739-0831-22	Mutter	Nut			
28	2			1136-0420-01	Momentstag	Stay			
29	2			1136-0017-01	Skruv	Screw			
30	1			9997-0820-16	Skruv	Screw			
31	1			9997-0825-16	Skruv	Screw			
32	1			9699-0056-02	Planbricka	Flat washer			
33	1			9739-0831-22	Mutter	Nut			
34	1			9699-0090-02	Planbricka	Flat washer			
35	1			9747-0831-02	Mutter	Lock nut			
52	2			1136-0568-01	Fälg	Rim			
53	2			1136-0410-01	Däck (Turf Saver)	Tire (Turf Saver)			
53	2			1136-0412-01	Däck (Deli)	Tire (Deli)			
54	2			9699-0119-02	Bricka	Washer			
55	2			1136-0305-01	Bricka	Washer			
56	2			9652-0015-04	Låsring	Retaining ring			
57	2-4			9695-0015-00	Bricka	Washer			
58	2			1136-0081-01	Navkapsel	Hub cap			
59	2			9545-0500-00	Ventil	Valve			



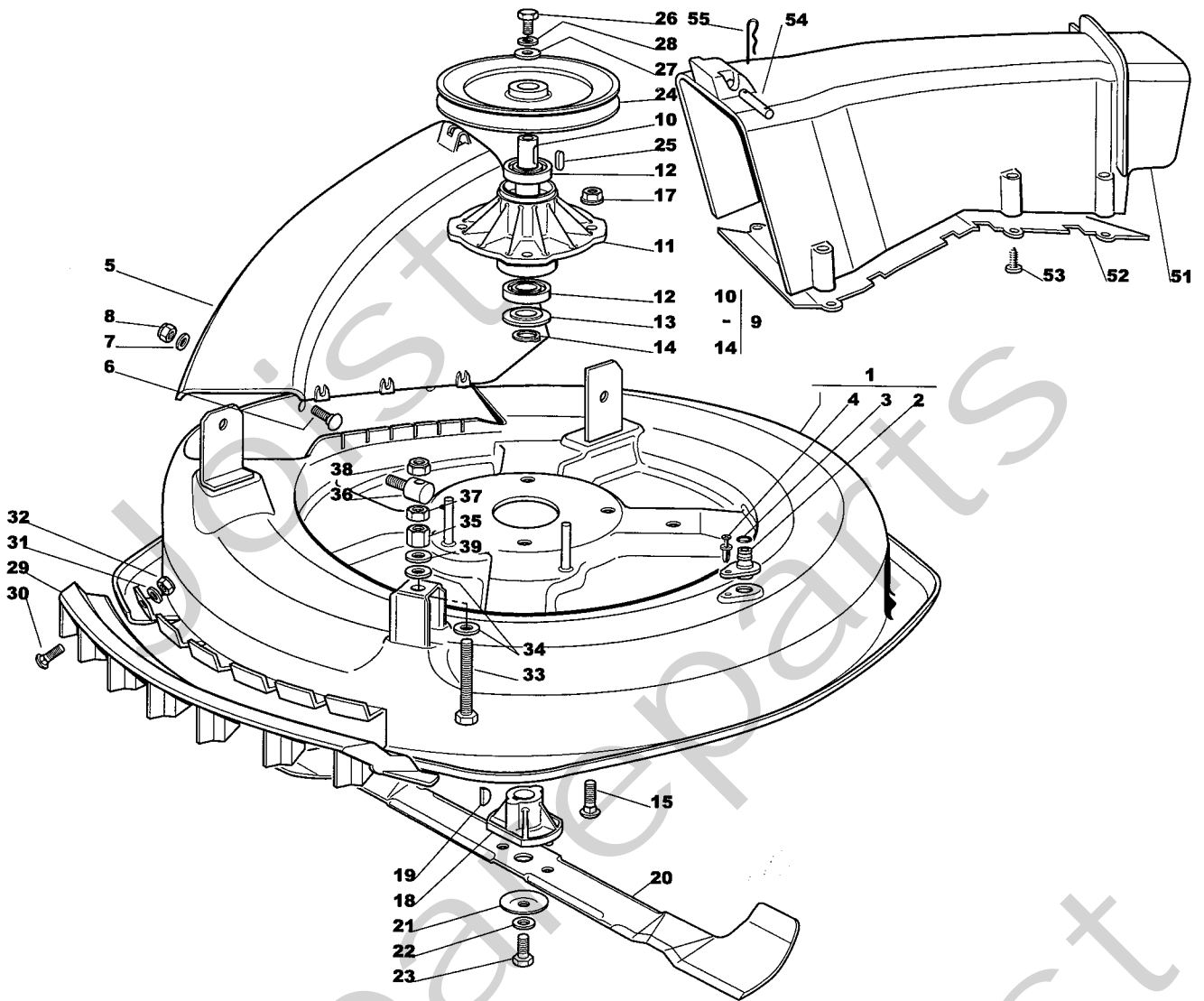
Utgåva Issue		Bildnr Picture No		ESTATE MASTER HST TRANSMISSION		ESTATE MASTER HST TRANSMISSION		Sida Page	
2003-11		1446A						46	
Pos. Fig.	Antal/Quantity				Art nr Part No	Benämning	Description	Sats Kit	Anmärkning Notes
	2512								
	1	1			1136-0418-01	Motorremskiva	Engine belt pulley		
	2	1			9987-5351-12	Skruv	Screw		
	3	1			9683-0045-02	Bricka	Washer		
	5	1			1136-1020-01	Drivrem	Drive belt		
	6	1			1136-1079-01	Spännarm	Tension lever		
	7	1			1136-0400-01	Pinnbult	Stud bolt		
	8	1			9677-0009-02	Låsbricka	Lock washer		
	9	1			1136-0088-01	Bricka	Washer		
	10	1			1136-0309-01	Bricka	Washer		
	11	1			9712-0831-02	Låsmutter	Lock nut		
	12	1			1136-0289-01	Spännrulle	Idler pulley		
	13	1			9699-0056-02	Planbricka	Flat washer		
	14	1			9747-0831-02	Mutter	Lock nut		
	15	1			1136-0860-01	Fjäder	Spring		
X	21	1			1136-1222-01	Transmission	Transmission		Peerless LTH 2000
	22	4			9997-0860-16	Skruv	Screw		
	24	4			9739-0831-22	Mutter	Nut		
	25	1			1136-1003-01	Bygel	Clamp		
	26	1			1136-0017-01	Skruv	Screw		
	27	1			9997-0825-16	Skruv	Screw		
	28	1			9699-0090-02	Planbricka	Flat washer		
	29	1			9747-0831-02	Mutter	Lock nut		
X	30	1			1136-1260-01	Arm	Lever		
	31	1			9699-0037-02	Bricka	Washer		
	32	1			9699-0085-02	Planbricka	Flat washer		
	33	1			9987-5016-16	Skruv	Screw		
	34	1			9683-0025-02	Låsbricka	Lock washer		
X	39	1			1136-1294-01	Urkopplingsreglage	Disengage control		
	40	1			1136-0858-01	Handtag	Handle		
	41	1			9865-0412-16	Skruv	Screw		
	42	1			9799-0431-02	Mutter	Nut		
	43	2			1136-0876-01	Distans	Spacer		
	44	2			1136-0812-01	Skruv	Screw		
	45	2			9747-0631-02	Låsmutter	Lock nut		
X	46	1			1136-1270-01	Wireklämna	Wire clamp		
	47	1			1136-0820-01	Skruv	Screw		
	48	1			9699-0018-02	Bricka	Washer		
	49	1			1136-0604-01	Mutter	Nut		
X	50	1			1136-1223-01	Distans	Spacer		
	51	1			9699-0018-02	Bricka	Washer		
	52	1			9747-0531-02	Mutter	Nut		
	62	2			1136-0568-01	Fälg	Rim		
	63	2			1136-0410-01	Däck (Turf Saver)	Tire (Turf Saver)		
	63	2			1136-0412-01	Däck (Deli)	Tire (Deli)		
	64	2			9699-0119-02	Bricka	Washer		
	65	2			1136-0305-01	Bricka	Washer		
	66	2			9652-0015-04	Låsring	Retaining ring		
	67	0-4			9695-0015-00	Bricka	Washer		
	68	2			1136-0081-01	Navkapsel	Hub cap		
	69	2			9545-0500-00	Ventil	Valve		



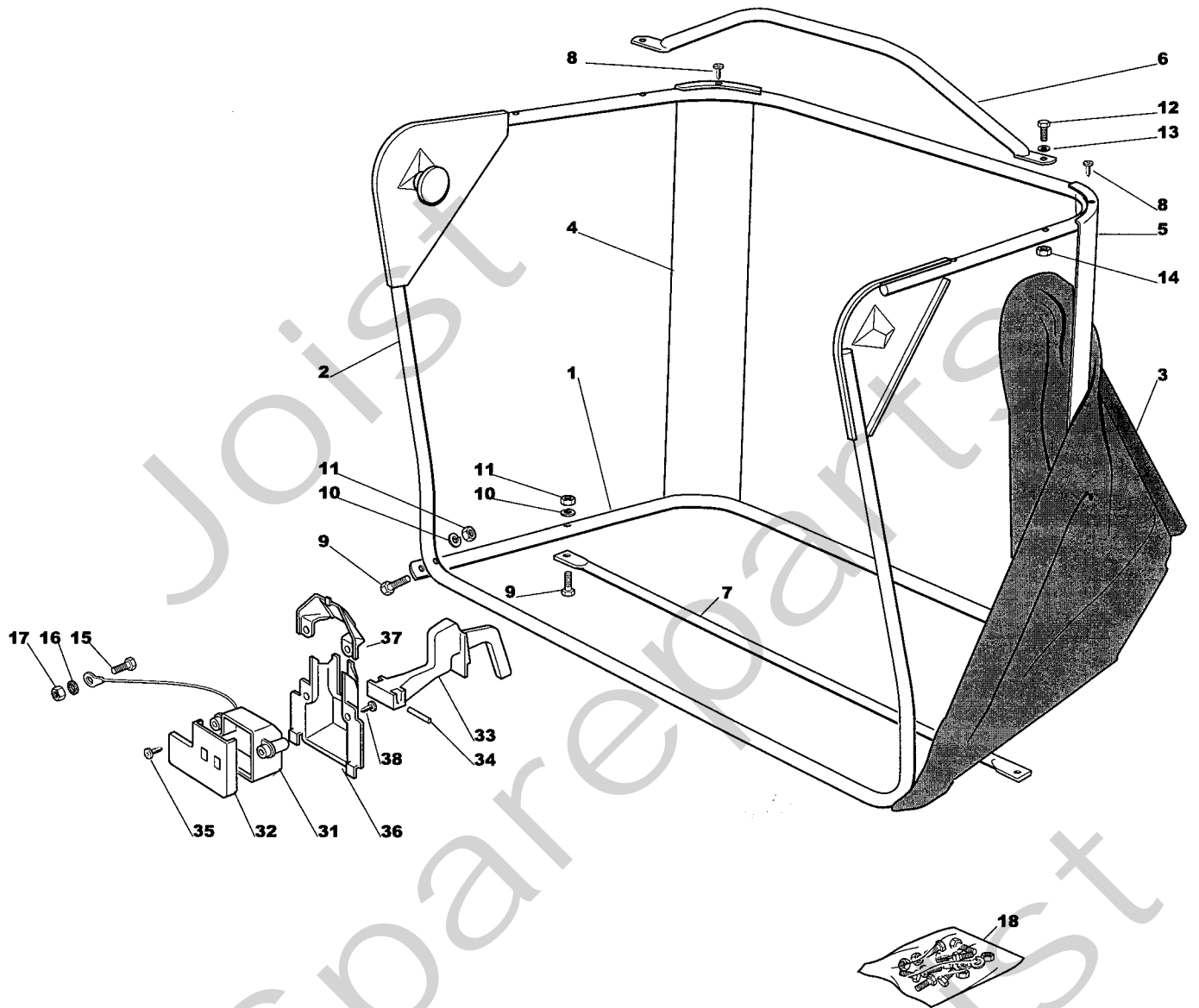
Utgåva Issue		Bildnr Picture No		ESTATE MASTER AGGREGATSLYFT		ESTATE MASTER MOWER DECK LIFT		Sida Page	
2003-11		1232A						48	
Pos. Fig.	Antal/Quantity			Art nr Part No	Benämning	Description	Sats Kit	Anmärkning Notes	
	2511	2512							
X 1	1			1136-1291-01	Lyftaxel	Lift axle			
2	2			1136-0406-01	Bygel	Clamp			
3	4			9847-8119-16	Skruv	Screw			
4	1			1136-0095-01	Låsnål	Hair pin			
5	1			1136-0308-01	Bricka	Washer			
6	1			9747-1031-02	Låsmutter	Lock nut			
7	2			1136-0308-01	Bricka	Washer			
8	1			1136-0559-01	Lyftaxel	Lift axle			
9	2			1136-0406-01	Bygel	Clamp			
10	4			9847-8119-16	Skruv	Screw			
11	1			1136-0226-01	Ledbult	Pivot bolt			
12	2			1136-0308-01	Bricka	Washer			
13	1			9747-1031-02	Låsmutter	Lock nut			
14	1			1136-0347-01	Lyftlänk	Lift tie rod			
15	1			9799-1031-02	Mutter	Nut			
16	1			9747-1031-02	Låsmutter	Lock nut			
17	2			1136-0308-01	Bricka	Washer			
18	1			1136-0095-01	Låsnål	Hair pin			
19	1			1136-0563-01	Lyftstång	Lift rod			
20	1			1136-0235-01	Ledbult	Pivot bolt			
21	1			9799-0831-02	Mutter	Nut			
22	1			9747-0831-02	Mutter	Lock nut			
23	1			1136-0009-01	Låsplatta	Lock plate			
24	1			1136-0309-01	Bricka	Washer			
25	2			1136-0309-01	Bricka	Washer			
26	1			9747-0831-02	Mutter	Lock nut			
27	1			1136-0579-01	Lyftspak	Lift lever			
28	1			1136-0197-01	Handtag	Knob			
29	1			9997-0635-12	Skruv	Screw			
30	1			9747-0631-02	Låsmutter	Lock nut			
31	1			1136-0396-01	Fjäder	Spring			
X 32	1			1136-1268-01	Sprint	Pin			



Utgåva Issue		Bildnr Picture No		ESTATE MASTER AGGREGATSINKOPPLING		ESTATE MASTER MOWER DECK ENGAGEMENT		Sida Page
2003-11		1233B						50
Pos. Fig.	Antal/Quantity			Art nr Part No	Benämning	Description	Sats Kit	Anmärkning Notes
	2511	2512						
	1	1		1136-0580-01	Inkopplingsspak	PTO lever		
	2	1		1136-0197-01	Handtag	Knob		
	3	1		1136-0560-01	Axel	Axle		
	4	1		1136-0212-01	Fjäder	Spring		
	5	1		9997-0880-16	Skruv	Screw		
	6	1		9747-0831-02	Mutter	Lock nut		
	7	2		1136-0256-01	Bygel	Plate		
	8	4		9847-8016-16	Skruv	Screw		
	9	1		1136-0964-01	Fjäder	Spring		
	10	1		1136-0398-01	Glidblock	Shoe		
	11	2		9997-0616-16	Skruv	Screw		
	12	2		9747-0631-02	Låsmutter	Lock nut		
X	13	1		1136-1252-01	Stång	Rod		
	14	1		1136-0093-01	Kulled	Ball joint		
X	15	1		1136-1275-01	Bygel	Clamp		
X	16	1		1136-1265-01	Fjäder	Spring		
	17	1		9699-0090-02	Planbricka	Flat washer		
X	18	1		1136-1267-01	Ledbult	Pivot pin		
	19	1		9799-0831-02	Mutter	Nut		
	20	1		9747-0831-02	Mutter	Lock nut		
	21	1		9683-0030-02	Låsbricka	Lock washer		
	22	1		9799-0831-02	Mutter	Nut		
	23	1		1136-0308-01	Bricka	Washer		
	24	1		1136-0095-01	Låsnål	Hair pin		
	25	1		1136-0306-01	Bricka	Washer		
X	31	1		1136-1253-01	Arm	Lever		
	32	1		1136-0373-01	Bussning	Bushing		
	33	1		9997-0845-12	Skruv	Screw		
	34	1		9699-0056-02	Planbricka	Flat washer		
	35	1		1136-0089-01	Bricka	Washer		
	36	1		1136-0014-01	Bricka	Washer		
	37	1		9747-0831-02	Mutter	Lock nut		
X	38	1		1136-1271-01	Spännrulle	Idler pulley		
X	39	1		1136-1213-01	Skruv	Screw		
	40	1		9699-0056-02	Planbricka	Flat washer		
	41	1		9739-0831-22	Mutter	Nut		
	42	1		1136-0431-01	Kilrem	V-belt		
	61	1		1136-0574-01	Knivbroms	Blade brake		
	62	1		1136-0079-01	Bussning	Bushing		
	63	1		1136-0089-01	Bricka	Washer		
	64	1		9997-0820-16	Skruv	Screw		
	65	1		9712-0831-02	Låsmutter	Lock nut		
X	66	1		1136-1251-01	Stång	Rod		
	67	1		1136-0235-01	Ledbult	Pivot bolt		
	68	1		9799-0831-02	Mutter	Nut		
	69	1		9747-0831-02	Mutter	Lock nut		
	70	2		1136-0309-01	Bricka	Washer		
	71	1		9747-0831-02	Mutter	Lock nut		
	72	1		1136-0095-01	Låsnål	Hair pin		

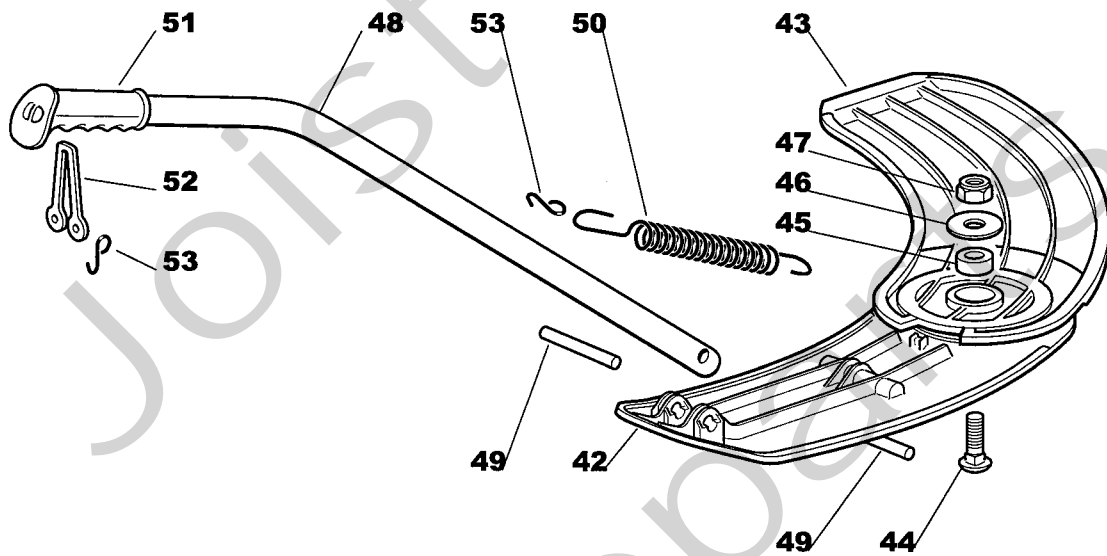


Utgåva Issue 2003-11		Bildnr Picture No 1234A		ESTATE MASTER KLIPPAGGREGAT		ESTATE MASTER MOWER DECK		Sida Page 52
Pos. Fig.	Antal/Quantity			Art nr Part No	Benämning	Description	Sats Kit	Anmärkning Notes
	2511	2512						
X	1	1		1136-1261-01	Klippaggregatskåpa	Mower deck casing		Inkl. pos 2 - 4
	2	1		1136-0120-01	• Vattenslangnippel	• Water hose connection.....		
	3	1		1136-0068-01	• O-ring.....	• O-ring		
	4	1		1136-0012-01	• Nit.....	• Rivet.....		
	5	1		1136-0372-01	Utkasträtt.....	Conveyor inlet		
	6	6		9898-0620-16	Skruv	Screw		
	7	6		9699-0060-02	Planbricka	Flat washer		
	8	6		9747-0631-02	Låsmutter	Lock nut		
	9	1		1136-0573-01	Lagerbox kpl.....	Bearing box assy.....		Inkl. pos 10 - 14
	10	1		1136-0364-01	• Knivaxel	• Blade shaft		
	12	2		1136-0069-01	• Kullager	• Ball bearing		
	13	1		1136-0176-01	• Dammskydd	• Dust cover		
	14	1		9650-0020-04	• Spårning.....	• Circlip		
	15	4		9898-0825-16	Skruv	Screw		
	17	4		9739-0831-22	Mutter	Nut		
	18	1		1136-0221-01	Knivfäste.....	Blade hub		
	19	1		9600-0014-00	Kil	Key		
X	20	1		1136-1295-01	Kniv	Blade		
	21	1		1136-0083-01	Fjäderbricka	Elastic washer		
	22	1		1136-0015-01	Bricka	Washer		
	23	1		9987-5238-12	Knivbult	Blade bolt		
X	24	1		1136-1272-01	Remskiva.....	Belt pulley		
	25	1		1136-0001-01	Kil	Key		
	26	1		9997-0820-16	Skruv	Screw		
	27	1		1136-0307-01	Bricka	Washer		
	28	1		9683-0030-02	Låsbricka	Lock washer		
	29	1		1136-0399-01	Luftintag	Air intake grill.....		
	30	4		9898-0616-16	Skruv	Screw		
	31	4		9699-0028-02	Planbricka	Flat washer		
	32	4		9747-0631-02	Låsmutter	Lock nut		
	33	1		9997-1090-12	Skruv	Screw		
	34	2		1136-0015-01	Bricka	Washer		
	35	1		1136-0002-01	Mutter.....	Nut		
	36	1		1136-0226-01	Ledbult	Pivot bolt.....		
	37	1		9799-1031-02	Mutter.....	Nut		
	38	1		9747-1031-02	Låsmutter	Lock nut		
	39	1		9683-0040-02	Låsbricka	Lock washer		
	51	1		1136-0377-01	Utkaströr	Conveyor		
	52	1		1136-0384-01	Deflektor	Deflector		
	53	8		9836-9618-12	Skruv	Screw		
	54	1		1136-0401-01	Axel	Pin		
	55	2		1136-0095-01	Låsnål	Hair pin		



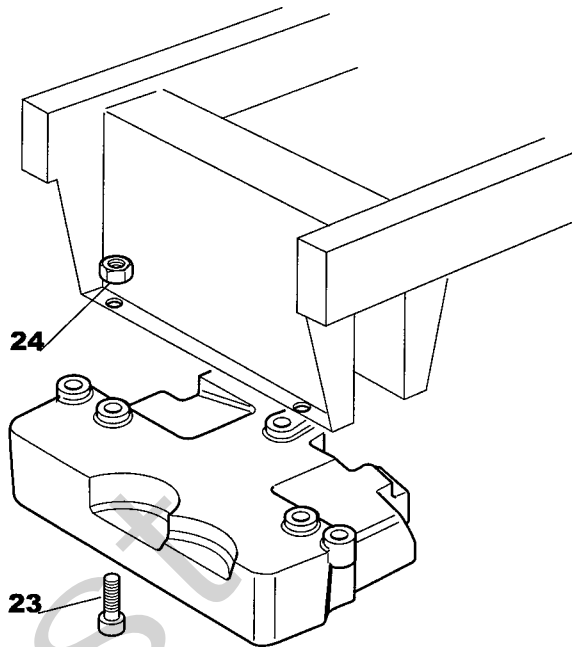
Utgåva Issue		Bildnr Picture No		ESTATE MASTER UPPSAMLARE		ESTATE MASTER GRASS CATCHER		Sida Page
2003-11		1235A						54
Pos. Fig.	Antal/Quantity			Art nr Part No	Benämning	Description	Sats Kit	Anmärkning Notes
	2511	2512						
1	1			1136-0593-01	Ram- nedre	Frame- lower		
2	1			1136-0594-01	Ram- övre	Frame- upper		
3	1			1136-0569-01	Uppsamlings säck	Grass bag		
4	1			1136-0362-01	Vinkelstöd- hö	Angle support- RH		
5	1			1136-0363-01	Vinkelstöd- vä	Angle support- LH		
6	1			1136-0264-01	Stag	Rod		
7	1			1136-0587-01	Förstärkningsstag	Reinforcement rod		
8	4			9847-8116-16	• Skruv	• Screw		
9	4			9997-0630-12	• Skruv	• Screw		
10	4			9683-0010-02	• Bricka	• Washer		
11	4			9799-0631-02	• Mutter	• Nut		
12	2			9997-0635-12	• Skruv	• Screw		
13	2			9699-0035-02	• Planbricka	• Flat washer		
14	2			9747-0631-02	• Låsmutter	• Lock nut		
15	1			9997-0612-16	• Skruv	• Screw		
16	1			9678-0008-02	• Låsbricka	• Lock washer		
17	1			9739-0631-22	• Mutter	• Nut		
18	1			1136-1216-01	Skruvsats	Screw set		Inkl. pos 8 - 17
31	1			1136-0280-01	Brytarskydd	Micro protection		
32	1			1136-0281-01	Skyddslock	Protection cover		
33	1			1136-0186-01	Brytarm	Switch lever		
34	1			1136-0007-01	Axel	Pin		
35	3			9847-8013-16	Skruv	Screw		
36	1			1136-0282-01	Brytarskydd	Micro protection		
37	1			1136-0283-01	Skyddslock	Protection cover		
38	4			9847-8013-16	Skruv	Screw		

X

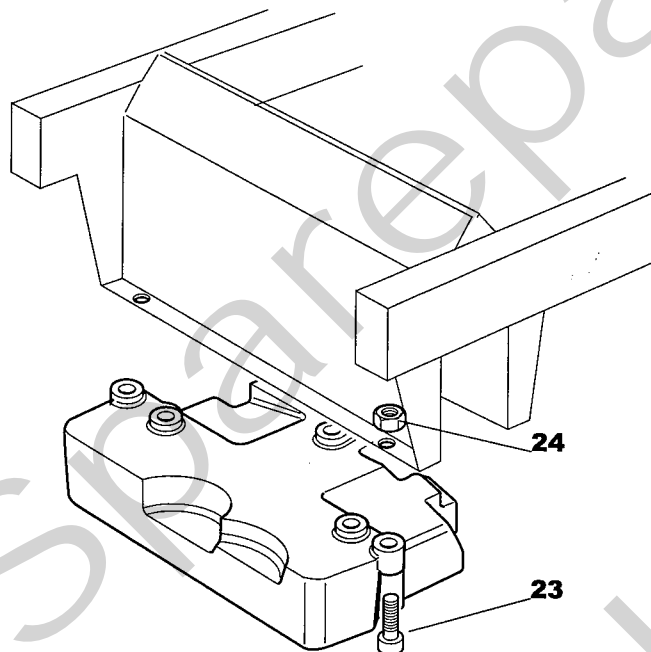


Utgåva Issue		Bildnr Picture No		MULCHINGSATS ART.NR 13- 0934- 11		MULCHING KIT ART.NO 13- 0934- 11		Sida Page	
2003- 11		1558						152	
Pos. Fig.	Antal/Quantity				Art nr Part No	Benämning	Description	Sats Kit	Anmärkning Notes
	0934								
X	42	1			1136- 1259- 01	Deflektor- bakre	Deflector- rear		
X	43	1			1136- 1258- 01	Deflektor- fram.....	Deflector- front.....		
X	44	1			9898- 0825- 16	Skruv.....	Screw.....		
X	45	1			1136- 1255- 01	Bussning	Bushing.....		
X	46	1			1136- 0089- 01	Bricka	Washer.....		
X	47	1			9747- 0831- 02	Mutter.....	Lock nut.....		
X	48	1			1136- 1263- 01	Handtagsrör.....	Handle tube.....		
X	49	2			1136- 1269- 01	Sprint.....	Pin		
X	50	1			1136- 0214- 01	Fjäder.....	Spring		
X	51	1			1136- 0882- 01	Handtag	Handgrip		
X	52	1			1136- 0927- 01	Elastiskt band	Elastic tie.....		
X	53	3			1136- 0877- 01	Krok.....	Hook		

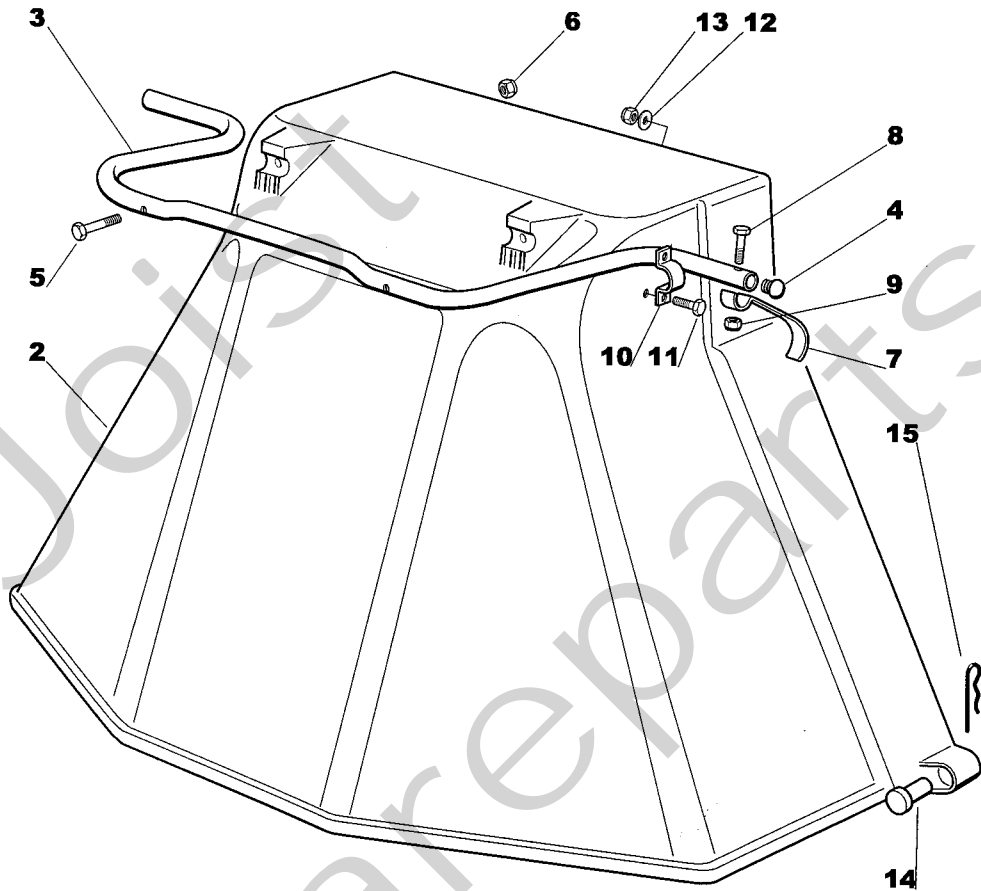
Estate Master



Estate Senator - President - Royal - Pro 20

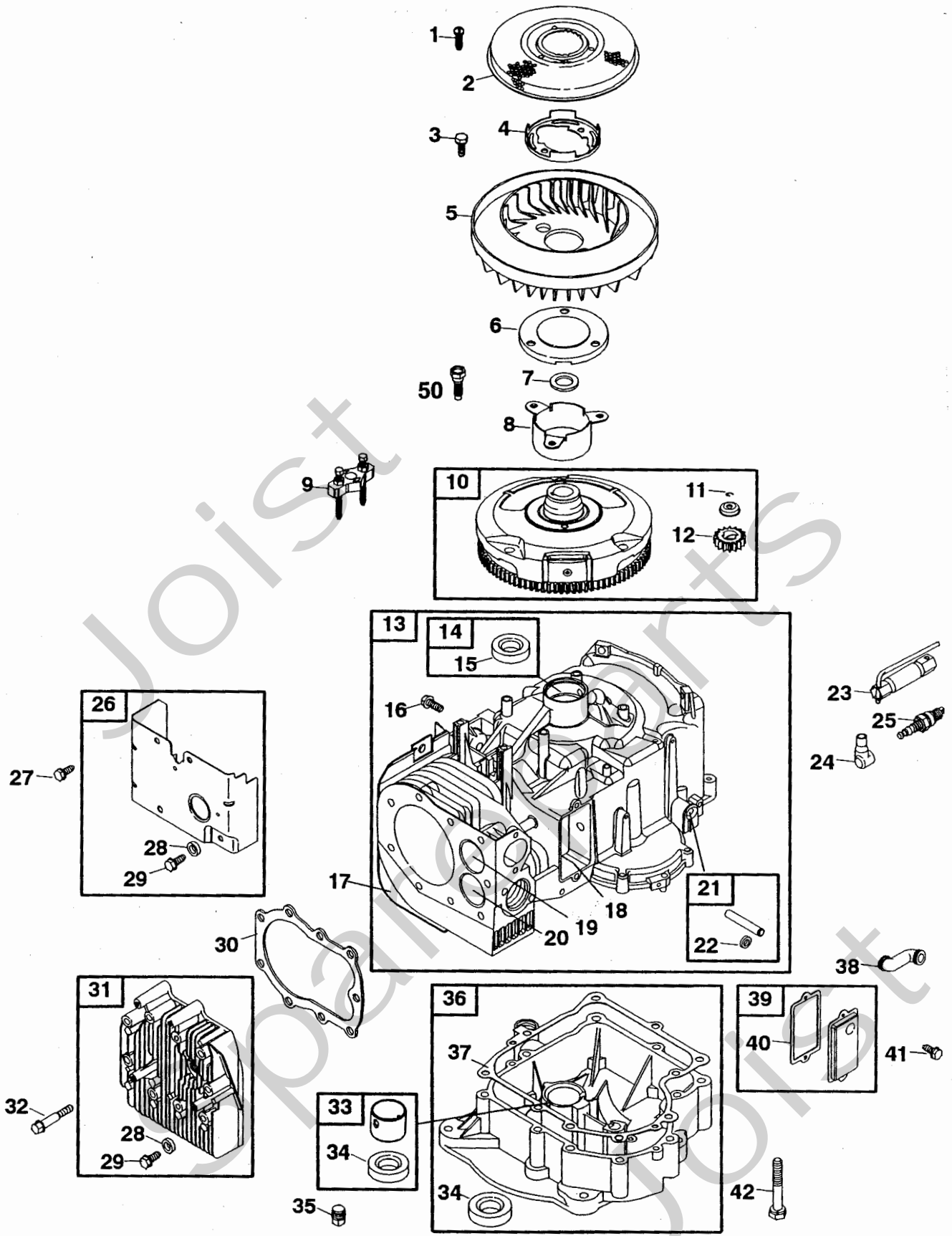


Utgåva Issue 2003-11		Bildnr Picture No 1253A		FRONTVIKT ART.NR 13-0912-11		FRONT WEIGHT ART.NO 13-0912-11		Sida Page 142	
Pos. Fig.	Antal/Quantity				Art nr Part No	Benämning	Description	Sats Kit	Anmärkning Notes
	0912								
23	3				9939-0850-12	Skruv	Screw		
24	3				9747-0831-02	Mutter	Lock nut		



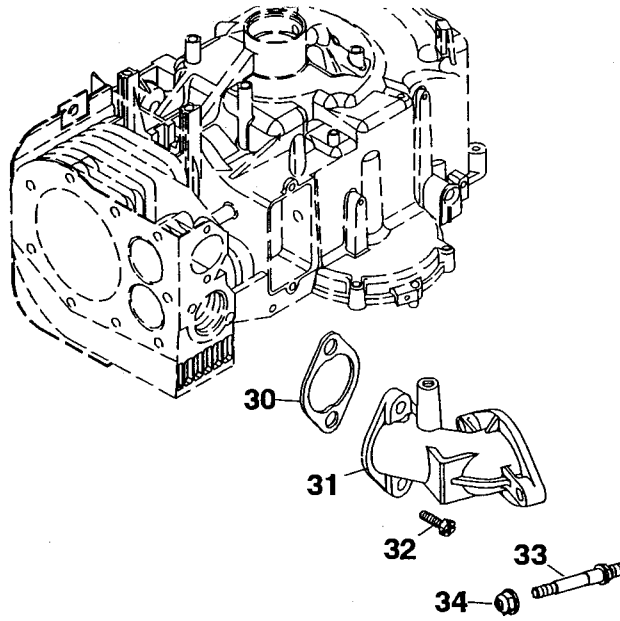
Utgåva Issue		Bildnr Picture No		DEFLEKTOR ART.NR 13- 0916- 11		DEFLECTOR ART.NR 13- 0916- 11		Sida Page	
2003- 11		1248						144	
Pos. Fig.	Antal/Quantity			Art nr Part No	Benämning	Description	Sats Kit	Anmärkning Notes	
	0916								
2	1			1136- 0584- 01	Utkastskydd	Ejection guard			
3	1			1136- 0425- 01	Stödrör	Support			
4	2			1136- 0062- 01	Plugg	Cap			
5	2			9997- 0635- 12	Skruv	Screw			
6	2			9747- 0631- 02	Låsmutter	Lock nut			
7	1			1136- 0257- 01	Bygel	Plate			
8	1			9997- 0625- 16	Skruv	Screw			
9	1			9747- 0631- 02	Låsmutter	Lock nut			
10	2			1136- 0256- 01	Bygel	Plate			
11	4			9997- 0516- 16	Skruv	Screw			
12	4			9699- 0018- 02	Bricka	Washer			
13	4			9747- 0531- 02	Mutter	Nut			
14	2			1136- 0229- 01	Sprint	Pin			
15	2			9598- 0002- 02	Låsnål	Pin lock			

A

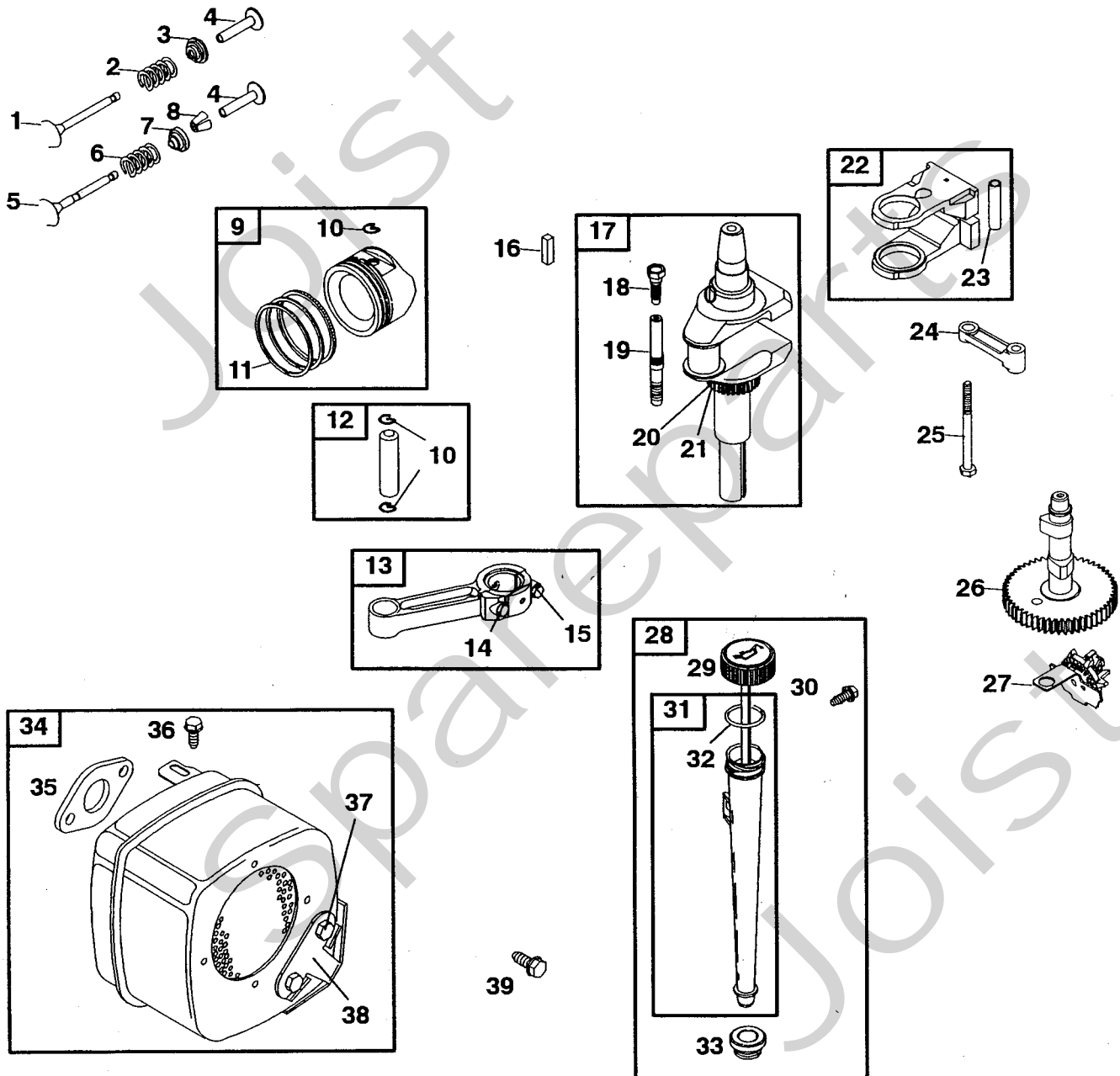


Utgåva Issue		Bildnr Picture No		BRIGGS & STRATTON 286707, 28M707 CYLINDER (A) VEVHUS (A)		BRIGGS & STRATTON 286707, 28M707 CYLINDER (A) CRANKCASE (A)		Sida Page	
2003- 11		1182A						206	
Pos. Fig.	Antal/Quantity			Art nr Part No	Benämning	Description	Sats Kit	Anmärkning Notes	
	286 707- 1185	28M 707- 1194							
A01	3	3		691655	Skruv.....	Screw.....			
A02		1		690492	Skyddsnät.....	Rotating screen.....			
A02	1			691748	Skyddsnät.....	Rotating screen.....			
A03	2	2		691058	Skruv.....	Screw.....			
A04	1			690452	Fläkthållare.....	Fan retainer.....			
A05	1			691905	Fläkt.....	Flywheel fan.....			
A05		1		695056	Fläkt.....	Flywheel fan.....			
A06	1	1		691323	Distans.....	Spacer.....			
A07	1	1		690582	Bricka.....	Washer.....			
A08	1	1		691173	Svänghjuls kopp.....	Flywheel cup.....			
A09	1	1		19203	Avdragare.....	Puller.....			
A10	1	1		693556	Svänghjul.....	Flywheel.....			
A11	1	1		691265	• Låsring.....	• Retaining ring.....			
A12	1	1		693713	• Drev.....	• Pinion gear.....			
A13	1	1		496413	Cylinder.....	Cylinder.....			
A14	1	1		399265	• Bussning.....	• Bushing.....			
A15	1	1		391086	•• Tätningssring.....	•• Seal.....			
A16	1	1		691003	• Skruv.....	• Screw.....			
A17	1	1		690459	Cylinderskydd.....	Cylinder shield.....			
A18	1	1		231218	• Ventilstyrning- insug.....	• Valve guide- intake.....			
A18	1	1		261961	• Ventilstyrning- utblås.....	• Valve guide- exhaust.....			
A19	1	1		691802	• Ventilsåte- insug.....	• Valve seat- intake.....			
A20	1	1		691844	• Ventilsåte- utblås.....	• Valve seat- exhaust.....			
A21	1	1		491986	• Bussning.....	• Bushing.....			
A22	1	1		692407	•• Tätning.....	•• Seal.....			
A23	1	1		89838	Tändstiftsnyckel.....	Spark plug wrench.....			
A24	1	1		66538	Tändstiftsskydd.....	Spark plug elbow.....			
A25	1	1		9400- 0225- 00	Tändstift.....	Spark plug.....			
A26	1	1		491490	Skydd.....	Cover.....			
A27		2		690960	Skruv.....	Screw.....			
A27	2			692198	Skruv.....	Screw.....			
A28	1	1		690510	• Distans.....	• Spacer.....			
A29	1	1		691681	• Skruv.....	• Screw.....			
A30	1	1		271866	Packning.....	Gasket.....			
A31	1	1		494240	Topplöck.....	Cylinder head.....			
A32	8	8		690904	Skruv.....	Screw.....			
A33	1	1		490666	Bussning.....	Bushing.....			
A34	1	1		291675	• Tätningssring.....	• Oil seal.....			
A35	1	1		690946	Avtappningsplugg.....	Oil drain plug.....			
A36	1	1		494238	Vevhus.....	Oil sump.....			
A37	1	1		692405	Packning.....	Gasket.....			
A37	1	1		692406	Packning.....	Gasket.....		.009"	
A37	1	1		692226	• Packning.....	• Gasket.....		.005"	
A38		1		691328	Ventilationsrör.....	Breather tube.....		.015" Standard	
A38	1			692253	Ventilationsrör.....	Breather tube.....			
A39	1	1		495735	Vevhusventilation.....	Breather.....			
A40	1	1		27803	• Packning.....	• Gasket.....			
A41	2	2		691666	Skruv.....	Screw.....			
A42	10	10		692125	Skruv.....	Screw.....			
A50		1		691658	Skruv.....	Screw.....			

A

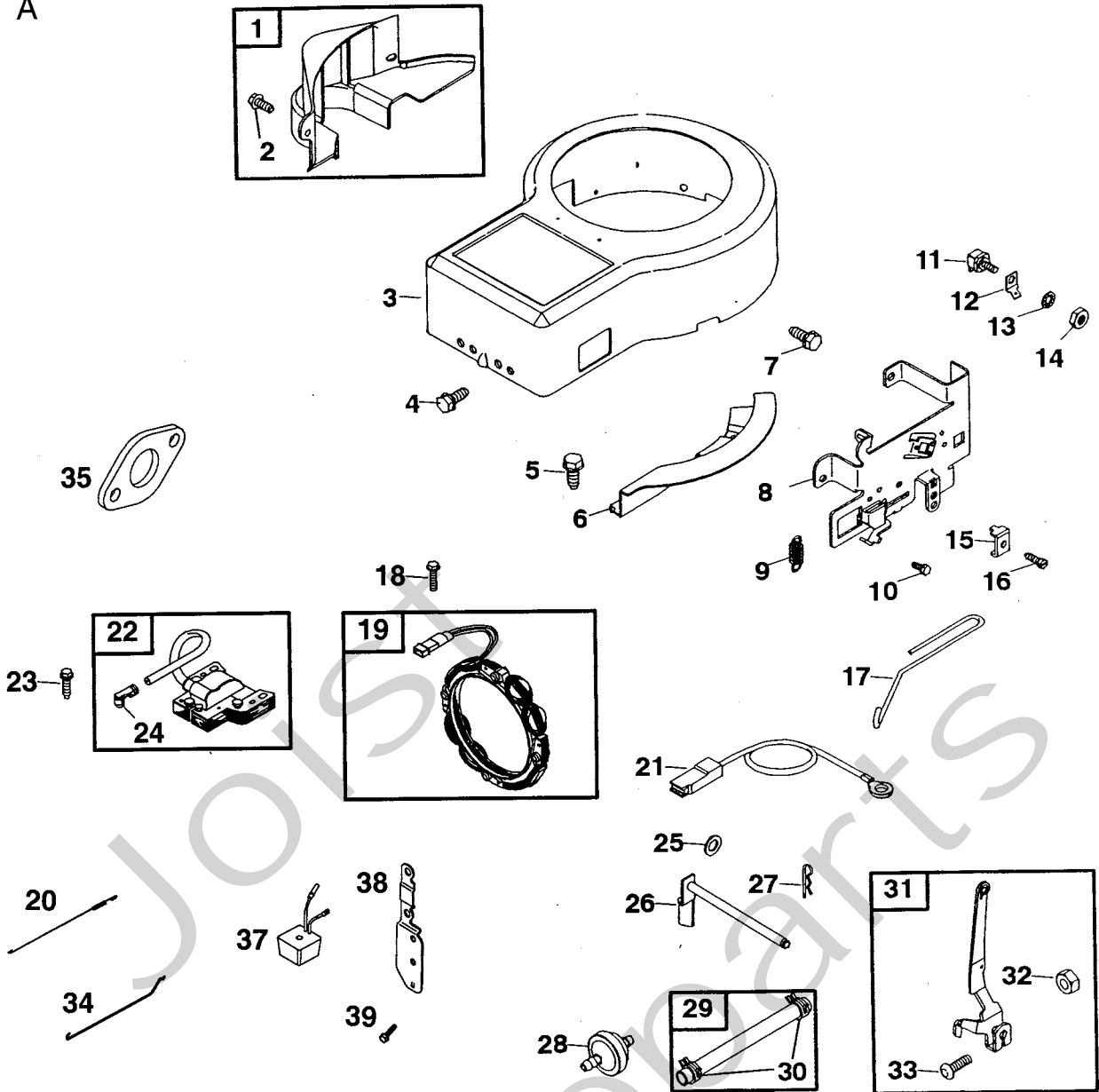


B

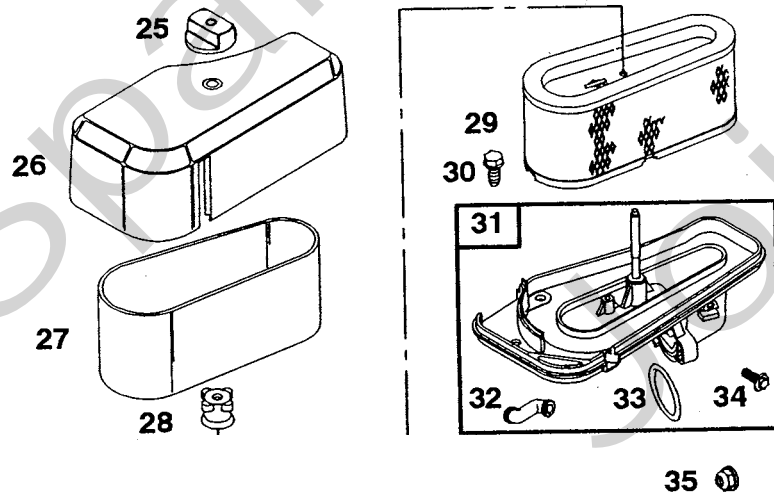


Utgåva Issue		Bildnr Picture No		BRIGGS & STRATTON 286707, 28M707 INSUGNINGSRÖR (A) VEVAXEL (B)		BRIGGS & STRATTON 286707, 28M707 INTAKE TUBE (A) CRANKSHAFT (B)		Sida Page
2003-11		1183						208
Pos. Fig.	Antal/Quantity			Art nr Part No	Benämning	Description	Sats Kit	Anmärkning Notes
	286 707- 1185	28M 707- 1194						
A30	1	1		272554	Packning.....	Gasket.....		
A31	1	1		691711	Insugningsrör.....	Intake manifold.....		
A32	2	2		690953	Skruv.....	Screw.....		
A33	2	2		691098	Pinnbult.....	Stud.....		
A34	2	2		690958	Mutter.....	Nut.....		
B01	1	1		262247	Insugningsventil.....	Intake valve.....		
B02	1	1		691605	Ventilfjäder-insug.....	Valve spring-intake.....		
B03	1	1		690656	Ventilhållare.....	Valve retainer.....		
B04	2	2		691811	Ventillyftare.....	Valve tappet.....		
B05	1	1		262246	Utblåsningsventil.....	Exhaust valve.....		
B06	1	1		691597	Ventilfjäder-utblås.....	Valve spring-exhaust.....		
B07	1	1		691939	Ventilhållare.....	Valve retainer.....		
B08	1	1		494553	Hållare.....	Retainer.....		
B09	1			499284	Kolv kpl.....	Piston assy.....		Standard
B09	1			499288	Kolv kpl.....	Piston assy.....		.010" O.S.
B09	1			499292	Kolv kpl.....	Piston assy.....		.020" O.S.
B09	1			499296	Kolv kpl.....	Piston assy.....		.030" O.S.
B09		1		696397	Kolv kpl.....	Piston assy.....		Standard
B09		1		696398	Kolv kpl.....	Piston assy.....		.010" O.S.
B09		1		696399	Kolv kpl.....	Piston assy.....		.020" O.S.
B09		1		696400	Kolv kpl.....	Piston assy.....		.030" O.S.
B10	2	2		691299	• Låsring.....	• Piston pin lock.....		
B11	1			392331	• Kolvringsatts.....	• Ring set.....		Chrome standard
B11	1			499996	• Kolvringsatts.....	• Ring set.....		Standard
B11	1			499997	• Kolvringsatts.....	• Ring set.....		.010" O.S.
B11	1			499998	• Kolvringsatts.....	• Ring set.....		.020" O.S.
B11	1			499999	• Kolvringsatts.....	• Ring set.....		.030" O.S.
B11		1		696403	• Kolvringsatts.....	• Ring set.....		Standard
B11		1		696404	• Kolvringsatts.....	• Ring set.....		.010" O.S.
B11		1		696405	• Kolvringsatts.....	• Ring set.....		.020" O.S.
B11		1		696406	• Kolvringsatts.....	• Ring set.....		.030" O.S.
B12	1	1		498319	Kolvbult.....	Piston pin.....		Standard
B12	1	1		498320	Kolvbult.....	Piston pin.....		.005" O.S.
B13	1	1		494504	Vevstake.....	Connecting rod.....		Standard
B13	1	1		495490	Vevstake.....	Connecting rod.....		.020" U.S.
B14	1	1		690348	• Skruv.....	• Screw.....		
B15	1	1		690356	• Skruv.....	• Screw.....		
B16	1	1		222698	Kil.....	Key.....		
B17	1	1		693944	Vevaxel.....	Crankshaft.....		
B18	1	1		691658	• Skruv.....	• Screw.....		
B19	1	1		691779	• Vevaxelförlängning.....	• Crankshaft extension.....		
B20	1	1		691639	• Kil.....	• Timing key.....		
B21	1	1		691284	• Drev.....	• Timing gear.....		
B22	1	1		692423	Motvikt.....	Counter weight.....		
B23	1	1		691239	• Axel.....	• Pin.....		
B24	1	1		691714	Länk.....	Link.....		
B25	1	1		691096	Skruv.....	Screw.....		
B26	1	1		692123	Kamaxel.....	Camshaft.....		
B27	1	1		691968	Oljekastardrev.....	Oil slinger.....		
B28	1	1		496415	Oljesticka kpl.....	Oil filler group.....		
B29	1	1		692014	• Oljesticka.....	• Oil dipstick.....		
B30	1	1		691002	• Skruv.....	• Screw.....		
B31	1	1		691398	• Påfyllningsrör.....	• Dipstick tube.....		
B32	1	1		691870	• Tätning.....	• Seal.....		
B33	1	1		281370	• Tätning.....	• Seal.....		
B34	1			691874	Ljuddämpare.....	Muffler.....		
B35	1			692236	• Packning.....	• Gasket.....		
B36	1			692198	• Skruv.....	• Screw.....		
B37	1			691416	• Skruv.....	• Screw.....		
B38	1			690420	• Värmskydd.....	• Heat shield.....		
B39	2			690661	Skruv.....	Screw.....		Deflector

A



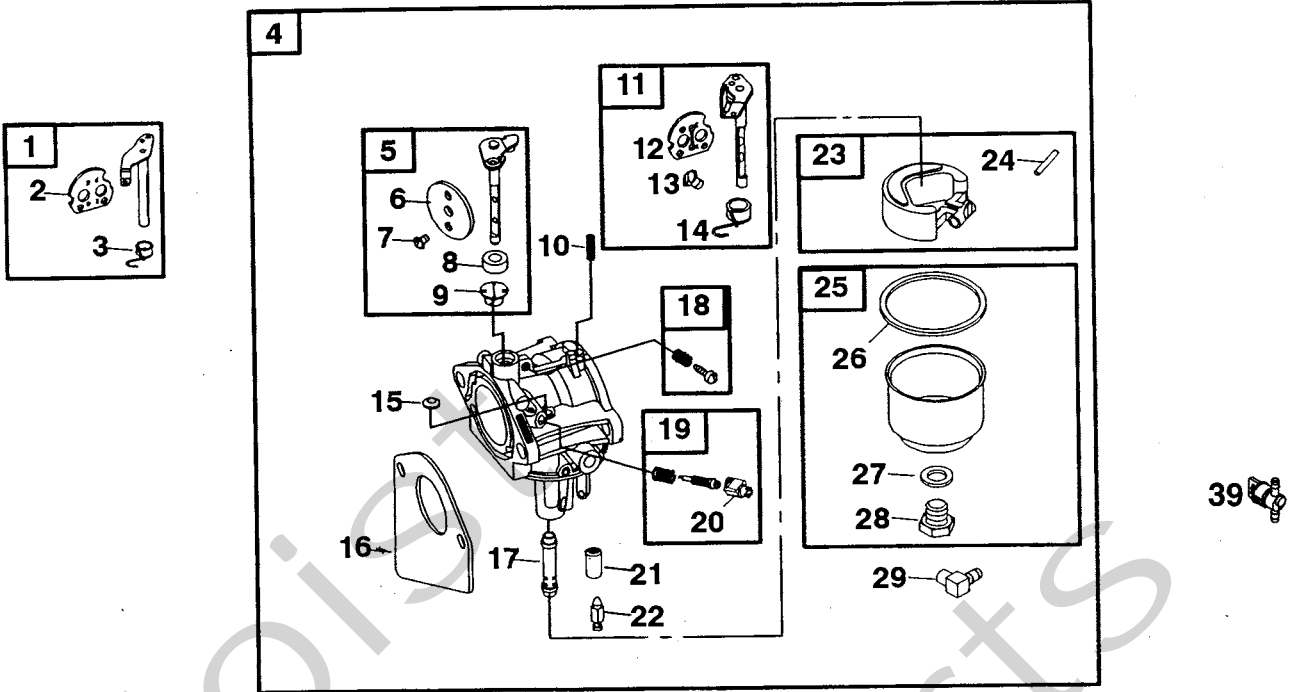
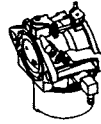
B



Utgåva Issue		Bildnr Picture No		BRIGGS & STRATTON 286707, 28M707 REGULATOR (A) LUFTFILTER (B)		BRIGGS & STRATTON 286707, 28M707 GOVERNOR (A) AIR CLEANER (B)		Sida Page
2003- 11		1184A						210
Pos. Fig.	Antal/Quantity			Art nr Part No	Benämning	Description	Sats Kit	Anmärkning Notes
	286 707- 1185	28M 707- 1194						
A01	1	1		490324	Skyddskåpa	Cover		
A02	2	2		691002	• Skruv	• Screw		
A03	1			690485	Fläkthus	Blower housing		
A03		1		691399	Fläkthus	Blower housing		
A04		1		690960	Skruv	Screw		
A04	1			692198	Skruv	Screw		
A05	2	2		690661	Skruv	Screw		
A06	1	1		690456	Svängjulsskydd	Flywheel guard		
A07	2	2		692127	Skruv	Screw		
A08	1	1		694042	Reglageplåt	Control bracket		
A09	1	1		691795	Regulatorfjäder	Governor spring		
A10	2	2		691693	Skruv	Screw		
A11	1	1		691972	Isolator	Insulator		
A12	1	1		691084	Anslutningsbleck	Ground terminal		
A13	1	1		691077	Bricka	Washer		
A14	1	1		691612	Mutter	Nut		
A15	1	1		691024	Klämma	Clamp		
A16	1	1		690804	Skruv	Screw		
A17	1	1		691840	Chokelänk	Choke link		
A18	2	2		691183	Skruv	Screw		
A19	1			691065	Generator	Alternator		
A19		1		696457	Generator	Alternator		
A20		1		691842	Fjäder	Spring		
A21	1	1		398808	Kortslutningskabel	Ground wire		
A22	1	1		492341	Tändsystem	Armature magneto		
A23	2	2		691061	Skruv	Screw		
A24	1	1		493880	• Anslutningshylsa	• Terminal		
A25	1	1		691691	Bricka	Washer		
A26	1	1		692012	Regulatoraxel	Governor crank		
A27	1	1		691620	Låsnål	Cotter pin		
A28	1	1		394358	Bränslefilter	Fuel filter		
A29	1	1		691050	Bränsleslang	Fuel line		
A30	2	2		95162	• Slangklämma	• Hose clamp		
A31	1	1		691374	Regulatorarm	Governor lever		
A32	1	1		691119	• Bult	• Bolt		
A33	1	1		691251	• Mutter	• Nut		
A34		1		691841	Regulatorlänk	Governor link		
A35		1		692236	Packning	Gasket		
A37		1		691188	Regulator	Regulator		
A38		1		694475	Fäste	Mounting bracket		
A39		2		694476	Skruv	Screw		
B25	1	1		691668	Låsrott	Air cleaner knob		
B26		1		691332	Lock	Cover		
B26	1			691916	Lock	Cover		
B27	1	1		272403	Filterelement	Air cleaner element		
B28	1	1		692297	Tätning	Seal		
B29	1	1		496894	Pappersfilter	Cartridge		
B30	2	2		692126	Skruv	Screw		
B31	1	1		696129	Luftrenarfäste	Air cleaner base		
B32	1	1		691328	• Ventilationsrör	• Breather tube		
B33	1	1		691917	• O- ring	• O- ring		
B34	1	1		693675	• Skruv	• Screw		
B35	2	2		690958	Mutter	Nut		

A

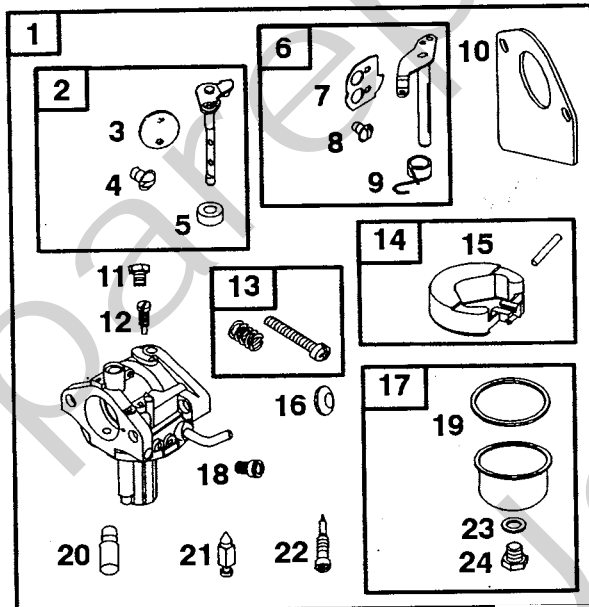
WALBRO



B

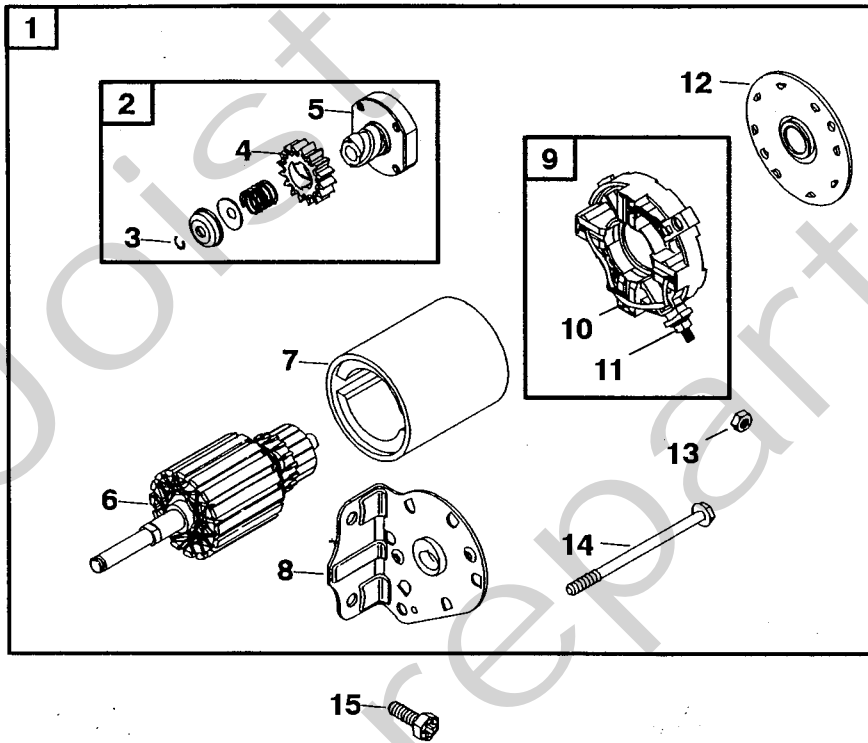


NIKKI



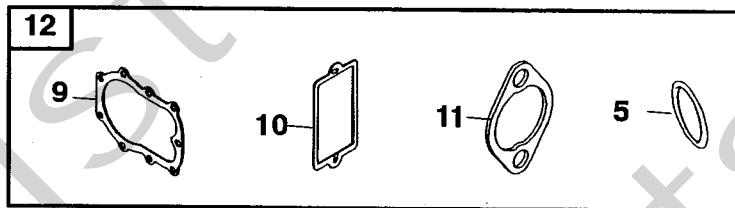
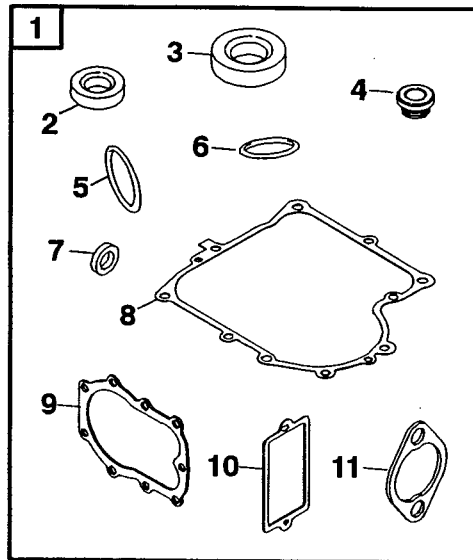
Utgåva Issue		Bildnr Picture No		BRIGGS & STRATTON 286707, 28M707 FÖRGASARE WALBRO (A) FÖRGASARE NIKKI (B)		BRIGGS & STRATTON 286707, 28M707 CARBURETOR WALBRO (A) CARBURETOR NIKKI (B)		Sida Page
2003-11		1185A						212
Pos. Fig.	Antal/Quantity			Art nr Part No	Benämning	Description	Sats Kit	Anmärkning Notes
	286 707- 1185	28M 707- 1194						
A01	1	1		495931	Chokeaxel	Choke shaft		Choke A Matic
A02	1	1		692344	• Chokespjäll	• Choke valve		
A03	1	1		690802	• Fjäder o tätning	• Spring and seal		
A04	1			498027	Förgasare kpl	Carburettor assy		Walbro
A04		1		697594	Förgasare kpl	Carburettor assy		
A05	1	1		494379	• Spjällaxel	• Shaft		
A06	1	1		691750	•• Spjäll	•• Throttle valve		
A07	1	1		691636	•• Skruv	•• Screw		
A08	1	1		691326	•• Axeltätning	•• Shaft seal		
A09	1	1		690602	•• Axelbussning	•• Shaft bushing		
A10	1	1		690572	• Fjäder	• Spring		
A11	1	1		495097	• Chokeaxel	• Choke shaft		Manual Choke
A12	1	1		690464	•• Chokespjäll	•• Choke valve		
A13	1	1		691636	•• Skruv	•• Screw		
A14	1	1		690801	•• Fjäder o tätning	•• Spring and seal		
A15		1		694524	• Plugg	• Welch plug		
A15	1			695005	• Expansionsplugg	• Welch plug		
A16	1	1		692284	• Packning	• Gasket		
A17	1			497737	• Munstycke	• Nozzle		High Altitude
A17	1			691434	• Munstycke	• Nozzle		Standard
A17		1		697592	• Munstycke	• Nozzle		Standard
A18	1	1		495800	• Justerskruv	• Idle adjust screw		
A19	1	1		498030	• Nålventil	• Needle valve		
A20	1	1		691333	•• Begränsningshuv	•• Limiter cap		
A21	1	1		690577	• Säte	• Inlet seat		
A22	1	1		231855	• Nålventil	• Inlet needle valve		
A23	1	1		494381	• Flottör	• Float		
A24	1	1		690525	•• Flottöraxel	•• Float hinge pin		
A25	1	1		495933	• Flottörhus	• Bowl		
A26	1	1		281165	•• Packning	•• Gasket		
A27	1	1		692255	•• Tätningsbricka	•• Sealing washer		
A28	1	1		691657	•• Skruv	•• Float bowl screw		
A29	1			692317	• Nippel	• Hose connector		
A39		1		494768	Bränslekran	Shut-off valve		
B01	1			694941	Förgasare kpl	Carburettor assy		Nikki
B02	1			694909	• Spjällaxel	• Throttle shaft		
B03	1			694917	•• Spjäll	•• Throttle valve		
B04	1			690718	•• Skruv	•• Screw		
B05	1			690998	•• Tätning	•• Shaft seal		
B06	1			694913	• Chokeaxel	• Choke shaft		
B07	1			694923	•• Chokespjäll	•• Choke valve		
B08	1			690718	•• Skruv	•• Screw		
B09	1			694912	•• Fjäder o tätning	•• Spring and seal		
B10	1			692284	• Packning	• Gasket		
B11	1			694921	• Plugg	• Carburettor plug		
B12	1			694927	• Munstycke	• Pilot jet		
B13	1			694907	• Justerskruv	• Idle speed kit		
B14	1			694914	• Flottör	• Float		
B15	1			694918	•• Flottöraxel	•• Float hinge pin		
B16	1			694916	• Expansionsplugg	• Welch plug		
B17	1			694908	• Flottörhus	• Float bowl		
B18	1			690880	• Huvudmunstycke	• Main jet		Standard
B18	1			694925	• Huvudmunstycke	• Main jet		High Altitude
B19	1			694920	•• Packning	•• Gasket		
B20	1			694924	• Förgasarpplugg	• Carburettor plug		
B21	1			694922	• Nålventil	• Float needle valve		
B22	1			694926	• Tomgångsventil	• Idle mixture valve		
B23	1			690997	•• Tätningsbricka	•• Sealing washer		
B24	1			694919	•• Skruv	•• Float bowl screw		

A

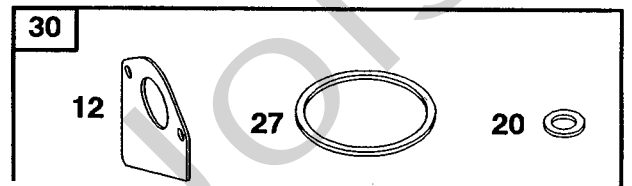
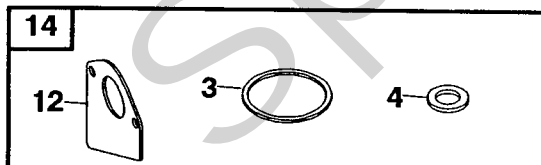
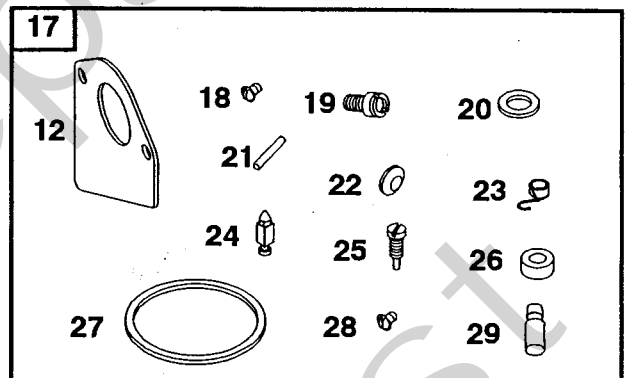
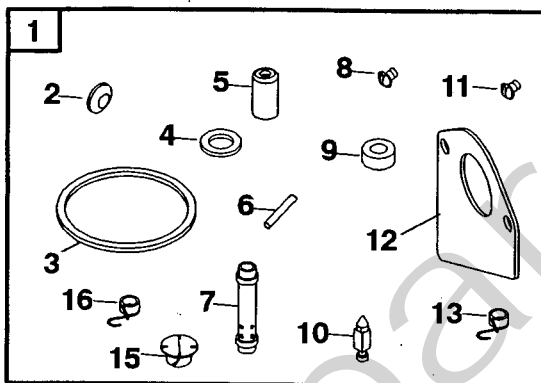


Utgåva Issue		Bildnr Picture No		BRIGGS & STRATTON 286707, 28M707 STARTMOTOR (A)		BRIGGS & STRATTON 286707, 28M707 STARTER MOTOR (A)		Sida Page	
2003- 11		1186						214	
Pos. Fig.	Antal/Quantity			Art nr Part No	Benämning	Description	Sats Kit	Anmärkning Notes	
	286 707- 1185	28M 707- 1194							
A01	1	1		693551	Startmotor kpl	Starter motor assy			
A02	1	1		693699	• Startdrev	• Starter drive			
A03	1	1		691265	•• Låsring	•• Retaining ring			
A04	1	1		693713	•• Drev	•• Pinion gear			
A05	1	1		692024	•• Koppling	•• Drive clutch			
A06	1	1		692034	• Rotor	• Armature			
A07	1	1		693757	• Startmotorhus	• Starter housing			
A08	1	1		691283	• Lock	• Drive cap			
A08	1	1		691429	• Lock	• Drive cap			
A09	1	1		691293	• Borsthållare	• Brush retainer			
A10	1	1		497608	•• Släpkolssats	•• Brush set			
A11	1	1		693167	•• Mutter	•• Nut			
A12	1	1		691286	• Botten	• End cap			
A13	1	1		691029	• Mutter	• Nut			
A14	2	2		690323	• Bult	• Bolt			
A15	2	2		690372	Skruv	Screw			

A



B



Utgåva Issue		Bildnr Picture No		BRIGGS & STRATTON 286707, 28M707 PACKN.SATS MOTOR (A) PACKN.SATS FÖRG. (B)		BRIGGS & STRATTON 286707, 28M707 GASKET SET ENGINE (A) GASKET SET CARB. (B)		Sida Page 216	
Pos. Fig.	Antal/Quantity			Art nr Part No	Benämning	Description	Sats Kit	Anmärkning Notes	
	286 707- 1185	28M 707- 1194							
A01	1	1		494241	Packnings-sats- motor.....	Gasket set- engine.....			
A02	1	1		391086	• Tätningssring	• Seal			
A03	1	1		291675	• Tätningssring	• Oil seal			
A04	1	1		281370	• Tätning	• Seal			
A05	1	1		691917	• O- ring.....	• O- ring			
A06	1	1		691870	• Tätningssring	• Seal			
A07	1	1		692407	• Tätning	• Seal			
A08	1	1		692226	• Packning	• Gasket015" Standard	
A08	1	1		692405	• Packning	• Gasket009"	
A08	1	1		692406	• Packning	• Gasket005"	
A09	1	1		271866	• Packning	• Gasket			
A10	1	1		27803	• Packning	• Gasket			
A11	1	1		692236	• Packning	• Gasket			
A12	1	1		498539	Packnings-sats- ventil.....	Gasket set- valve			
B01	1			499220	Reparationssats- förg.	Overhaul kit- carb.		Walbro	
B01		1		697884	Rep.sats- förgas.	Carb. overhaul kit.....			
B02		1		694524	• Plugg	• Welch plug			
B02	1			695005	• Expansionsplugg	• Welch plug			
B03	1	1		281165	• Packning	• Gasket			
B04	1	1		692255	• Tätningssbricka	• Sealing washer			
B05	1	1		690577	• Säte	• Inlet seat			
B06	1	1		690525	• Flottöraxel.....	• Float hinge pin.....			
B07	1			691434	• Munstycke	• Nozzle		Standard	
B07		1		697592	• Munstycke	• Nozzle			
B08	1	1		691636	• Skruv	• Screw			
B09	1	1		691326	• Axeltätning.....	• Shaft seal			
B10	1	1		231855	• Nålventil.....	• Inlet needle valve.....			
B11	1	1		691636	• Skruv	• Screw			
B12	1	1		692284	• Packning	• Gasket			
B13	1	1		690802	• Fjäder o tätning.....	• Spring and seal		Choke A Matic	
B14	1	1		494385	Packningssats- förg.	Gasket set- carb.		Walbro	
B15	1	1		690602	• Axelbussning	• Shaft bushing			
B16	1	1		690801	• Fjäder o tätning.....	• Spring and seal		Manual Choke	
B17	1			694930	Reparationssats- förg.	Overhaul kit- carb.		Nikki	
B18	1			690718	• Skruv	• Screw			
B19	1			690880	• Huvudmunstycke.....	• Main jet		Standard	
B19	1			694925	• Huvudmunstycke.....	• Main jet		High Altitude	
B20	1			690997	• Tätningssbricka	• Sealing washer			
B21	1			694918	• Flottöraxel.....	• Float hinge pin.....			
B22	1			694916	• Expansionsplugg	• Welch plug			
B23	1			694912	• Fjäder o tätning.....	• Spring and seal			
B24	1			694922	• Nålventil.....	• Float needle valve.....			
B25	1			694927	• Munstycke	• Pilot jet			
B26	1			690998	• Tätning	• Shaft seal			
B27	1			694920	• Packning	• Gasket			
B28	1			690718	• Skruv	• Screw			
B29	1			694924	• Förgasarplugg.....	• Carburettor plug.....			
B30	1			694931	Packningssats- förg.	Gasket set- carb.		Nikki	