

# Genuine Spare Parts

www.stiga.com

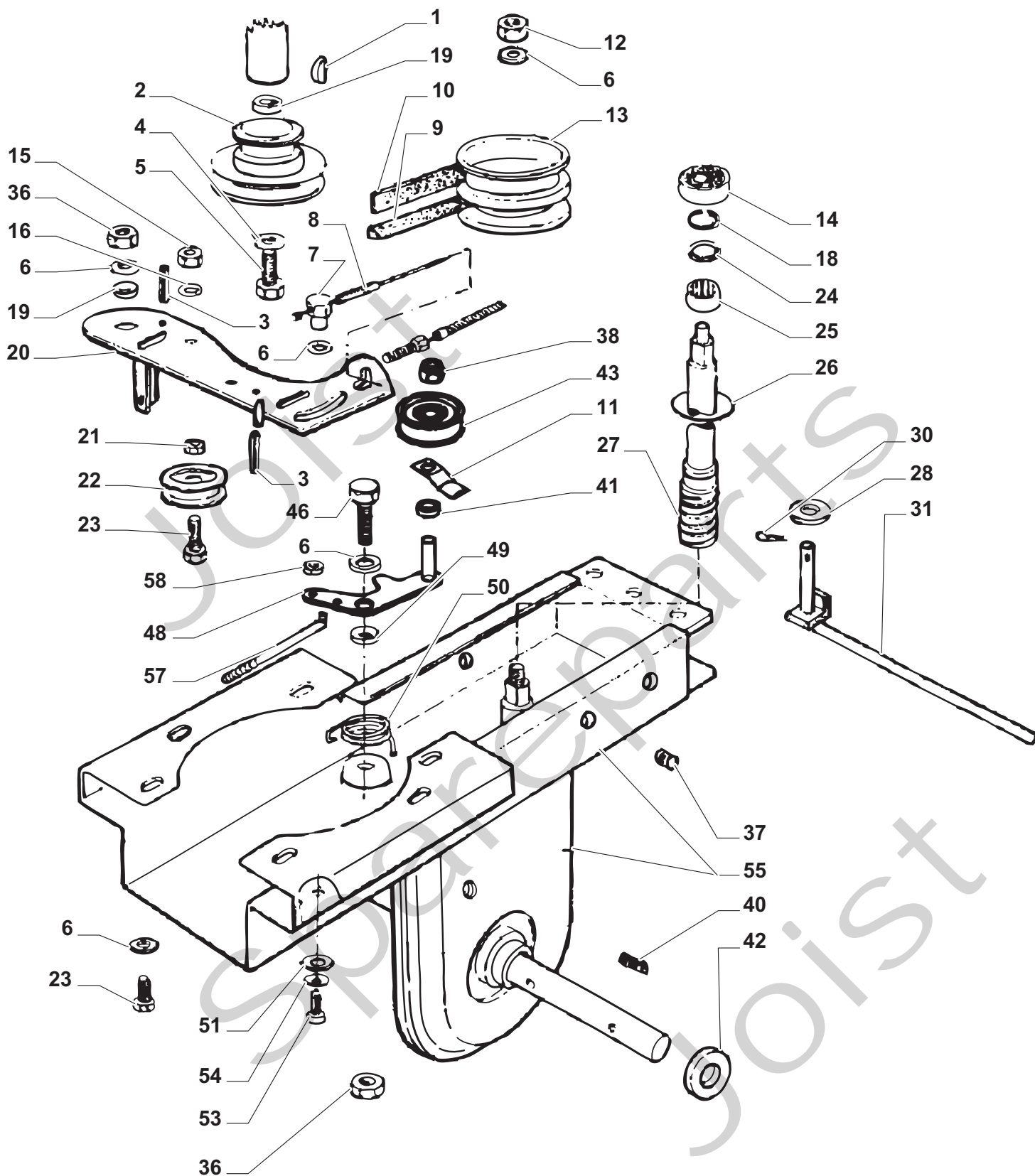
## SILEX 500 RG Model Year 2011

- Use GLOBAL GARDEN PRODUCT Genuine Spare Parts specified in the parts list for repair and/or replacement.
- The contents described in the parts list may change due to improvement.
- The drawings of the spare parts are only indicative and might not represent the part in question exactly.
- The indications "right" - "left" - "front" - "rear" refer to the position of the operator when using the machine.
- When placing orders of parts for repair and/or replacement, make sure that the illustrated parts list is the one applying to the machine's year of manufacture, as shown on the identification plate attached to the machine.

COPYRIGHT by GLOBAL GARDEN PRODUCTS

All rights reserved. No part of this material may be reproduced or transmitted, in any form or by any means, electronic or mechanical, including photocopying, recording or by any information storage and retrieval system, without permission in writing from GLOBAL GARDEN PRODUCTS.

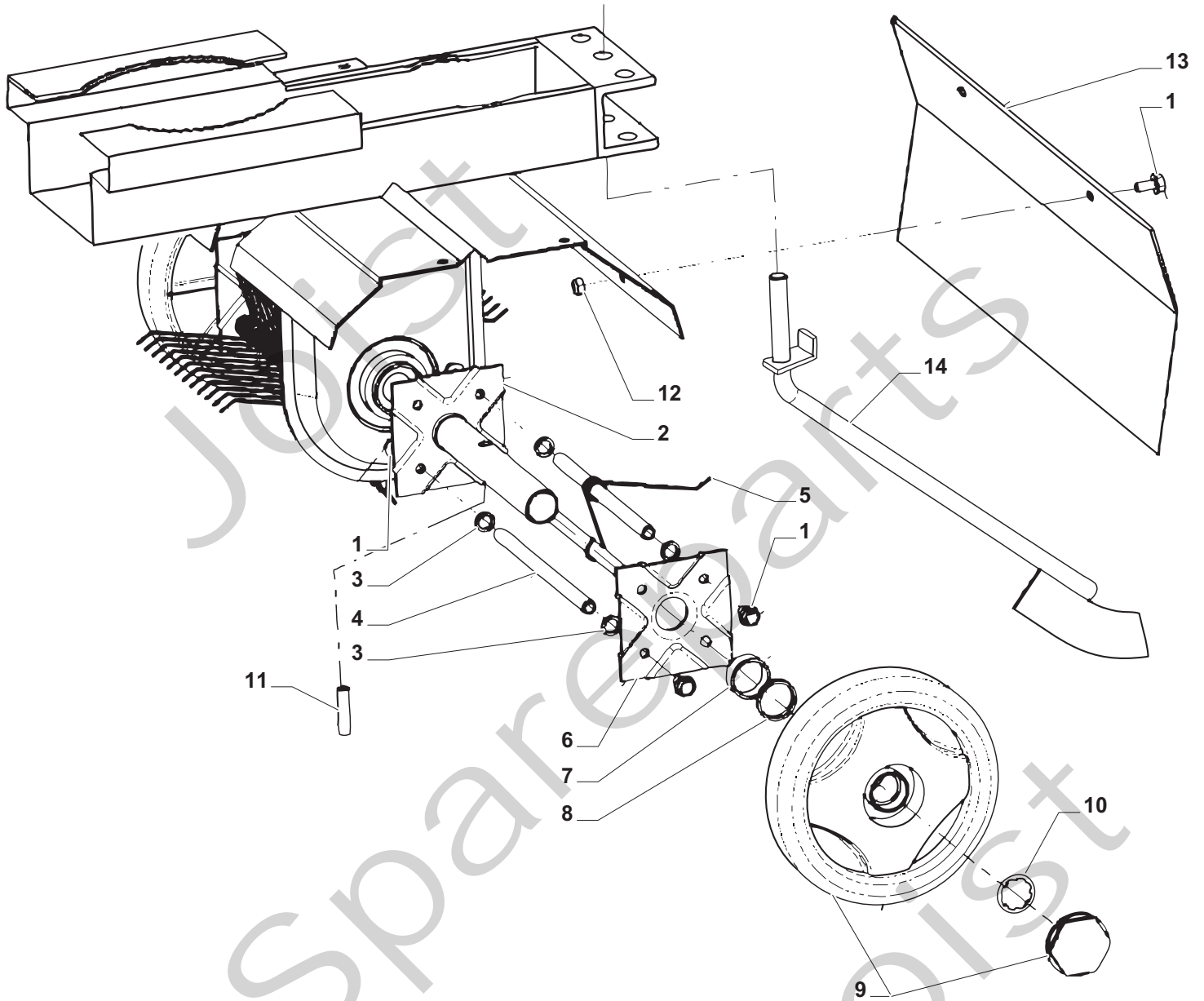






## SILEX 500 RG

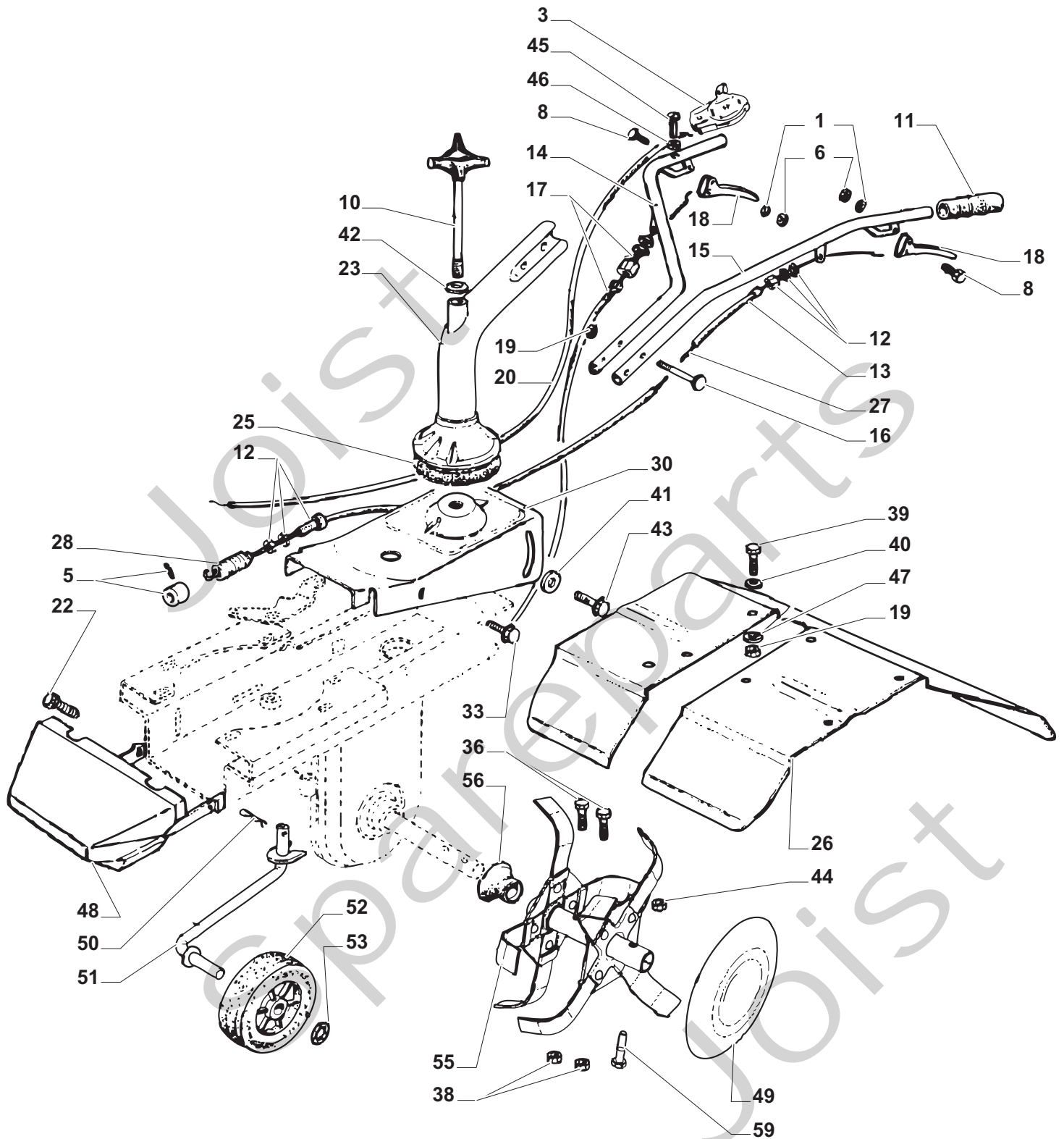
Pos. Fig.	Antal Quantity	Art No Part No	Benämning	Description	Anmärkning Notes
1	1	12139100/0	Kil	Key	
2	1	1483-2002-01	Remskiva	Pulley	
3	2	9595-0235-00	Spännstift	Pin	
4	1	9699-0035-02	Planbricka	Washer	
5	1	9987-5225-16	Skruv	Screw	
6	4	9699-0105-02	Bricka	Washer	
7	1	1483-2092-01	Ledbult	Pin	
8	1	1483-2097-01	Fjäder	Spring	
9	1	1483-2113-01	Drivrem	Belt	
10	1	1483-2114-01	Drivrem	Belt	
11	1	1483-2144-01	Remstyrning	Belt Guide	
12	1	9799-1231-02	Mutter	Nut	
13	1	1483-2087-01	Remskiva	Pulley	
14	1	1483-2192-01	Kullager	Bearing	
15	1	9799-1031-02	Mutter	Nut	
16	1	9699-0035-02	Planbricka	Washer	
18	1	1483-2068-01	Seegerring	Seeger	
19	2	1483-2088-01	Distans	Spacer	
20	1	1483-2094-01	Spännarm	Lever	
21	1	1483-2090-01	Mutter	Nut	
22	1	1483-2003-01	Spännrulle	Roll (50R-B)	
23	2	9997-1025-16	Skruv	Screw	
24	1	1483-2000-01	Distans	Spacer	
25	1	1483-2072-01	Nållager	Needle Bearing	
26	1	1483-2188-01	O-ring	O Ring	
27	1	1483-2081-01	Snäckskruv	Endless screw	
28	1	9699-0104-02	Bricka	Washer	
30	1	9598-0002-02	Låsnål	Cotter Pin	
31	1	1483-2107-01	Bromssporre	Lever	
36	2	9747-1031-02	Mutter	Nut	
37	1	1483-2108-01	Bussning	Spacer	
38	1	9747-1231-02	Mutter	Nut	
40	1	1483-2075-01	Lock	Cap	
41	1	1483-2089-01	Distans	Spacer	
42	2	1483-2070-01	Tätningring	Oil Seal	
43	1	1483-2004-01	Spännrulle	Pulley	
46	1	9997-1020-16	Skruv	Screw	
48	1	1483-2091-01	Spännarm	Lever	
49	1	1483-2001-01	Bussning	Bush	
50	1	1483-2096-01	Fjäder	Spring	
51	1	9699-0100-02	Bricka	Washer	
53	1	9997-0612-16	Skruv	Screw	
54	1	9683-0025-02	Låsbricka	Washer	
55	1	1483-2093-01	Transm.hus-gul	Transm.housing-yellow	
57	1	1483-2095-01	Stång	Rod	
58	1	9747-0631-02	Mutter	Nut	



**SILEX 500 RG**

Pos. Fig.	Antal Quantity	Art No Part No	Benämning	Description	Anmärkning Notes
1	18	9959-0816-16	Skruv	Screw	
2	2	1483-2309-01	Fäste	Clamp	
3	16	9699-0121-02	Planbricka	Washer	
4	8	1483-2305-01	Axel	Shaft	
5	96	1483-2307-01	Fjäder	Spring	
6	2	1483-2301-01	Fläns	Flange	
7	2	1483-2310-01	Distansring	Spacer	
8	2	1483-2285-01	Distans	Spacer	
9	2	1483-2308-01	Hjul	Wheel	
10	2	1483-2322-01	Låsbricka	Crown Fastener	
11	2	1483-2324-01	Sprint	Pin	
12	2	9747-0831-02	Mutter	Nut	
13	1	1483-2298-01	Skyddsplåt	Cover	
14	1	1483-2303-01	Släpsko	Rod	

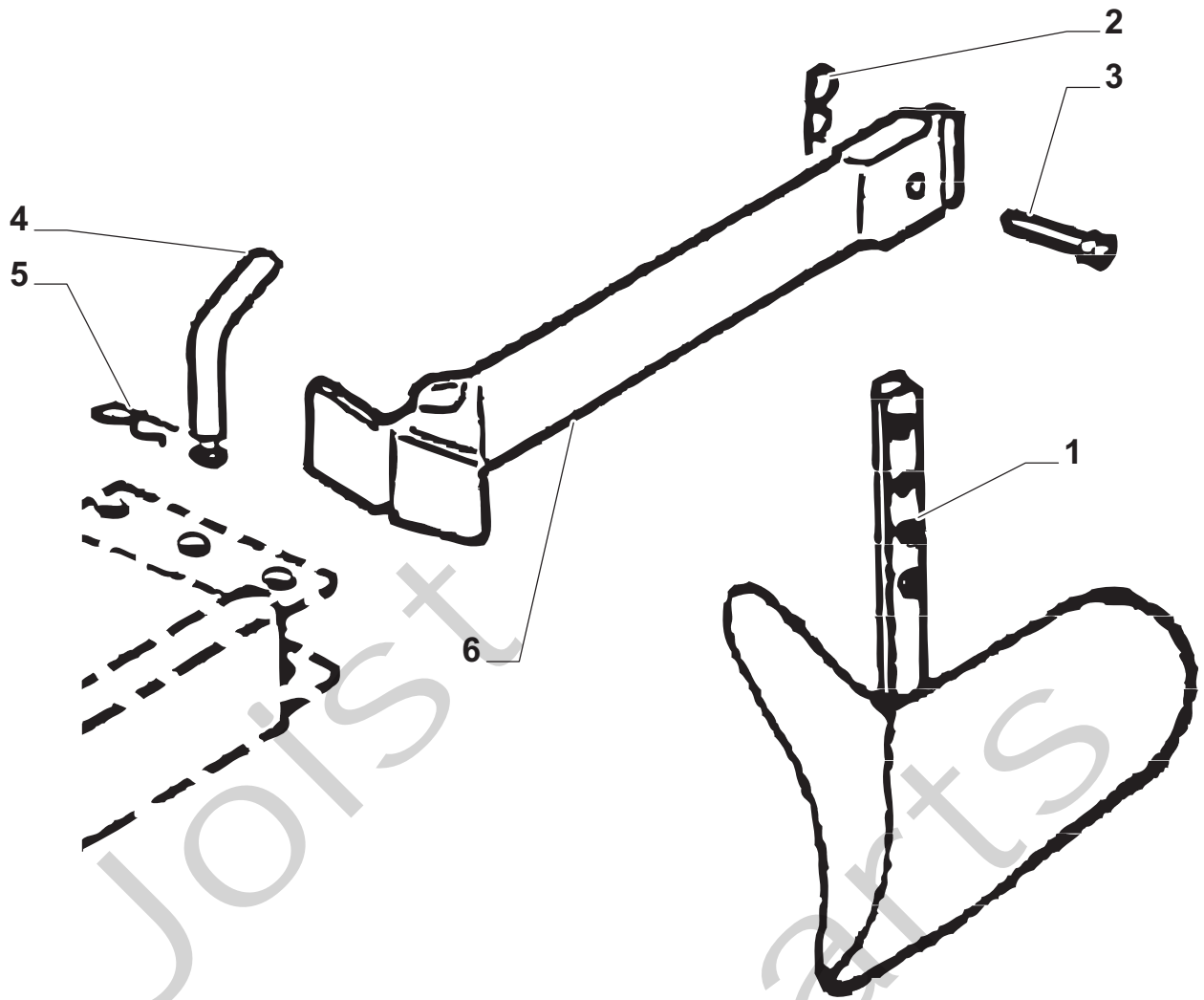
## SILEX 500 RG





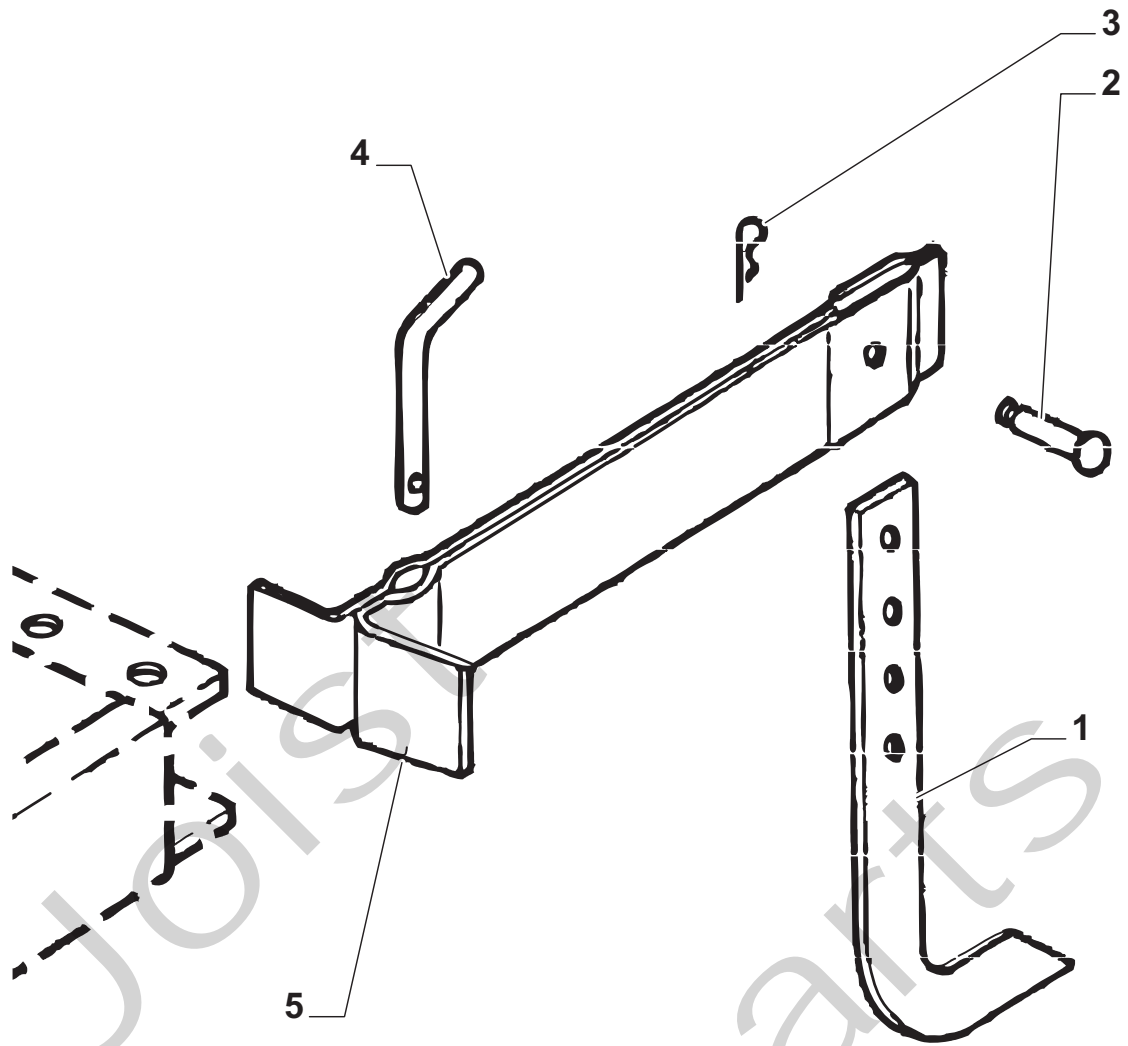
## SILEX 500 RG

Pos. Fig.	Antal Quantity	Art No Part No	Benämning	Description	Anmärkning Notes
1	2	9699-0025-02	Planbricka	Washer	
3	1	1483-2143-01	Gasreglage	Accelerator	
5	1	1483-2198-01	Distans	Spacer (500 R-G)	
6	1	9747-0531-02	Mutter	Nut	
8	1	1483-2005-01	Skruv	Pin	
10	1	1483-2099-01	Lösskruv	Knob	
11	2	1483-2009-01	Grepp	Handgrip	
12	2	1483-2197-01	Justernippel	Cable Adjuster (500 R-G)	
13	1	1483-2110-01	Reglagewire kpl	Cable (500-G)	
13	1	1483-2116-01	Regl.wire-yttre	Cable	
14	1	1483-2098-01	Styrrör-hö	Handle (500-G)	
14	1	1483-2102-01	Styrrör-hö	Handle (500 R-G)	
15	1	1483-2100-01	Styrrör-vä	Handle	
16	2	9897-0880-12	Skruv	Screw	
17	1	1483-2104-01	Reglagewire	Cable (500 R-G)	
18	1	1483-2008-01	Kopplingshandtag	Handle	
19	6	9747-0831-02	Mutter	Nut	
20	1	1483-2142-01	Gaswire	Throttle Cable	
22	1	9847-8016-16	Skruv	Screw	
23	1	1483-2105-01	Styrfäste-gul	Support Yellow	
25	1	1483-2078-01	Platta	Disc	
26	1	1483-2101-01	Skyddsplåt-gul	Guard Yellow	
27	1	1483-2103-01	Reglagewire-inre	Cable (500 R-G)	
28	1	1483-2115-01	Fjäder	Spring (500 R-G)	
30	1	1483-2086-01	Styrfästplåt-gul	Plate Yellow	
30	1	1483-2086-02	Styrfästplåt-röd	Plate Red	
33	2	9959-0816-16	Skruv	Screw	
36	4	9997-1050-16	Skruv	Screw	
38	4	9747-1031-02	Mutter	Nut	
39	4	9997-0820-16	Skruv	Screw	
40	4	9699-0028-02	Planbricka	Washer	
41	2	9699-0056-02	Planbricka	Washer	
42	1	9699-0121-02	Planbricka	Washer	
43	2	9959-0825-16	Skruv	Screw	
44	2	9747-1031-02	Mutter	Nut	
45	1	9948-0650-16	Skruv	Screw	
46	1	9747-0631-02	Mutter	Nut	
47	4	9699-0122-02	Bricka	Washer	
48	1	1483-2080-01	Frontplåt	Plate	
49	2	1483-2022-01	Sidotallrik	Disc	
50	1	9598-0002-02	Låsnål	Cotter Pin	
51	1	1483-2106-01	Stödhjulsfäste	Support	
52	1	1483-2111-01	Stödhjul	Wheel	
53	1	1483-2195-01	Låsbicka	Washer	
55	1	1483-2023-01	Rotor kpl-hö	Right Tine Assy	
55	1	1483-2024-01	Rotor kpl-vä	Left Tine Assy	
56	2	1483-2010-01	Dammskydd	Dust Cover	
59	2	9997-1050-16	Skruv	Screw	

**SILEX 500 RG**


Pos. Fig.	Antal Quantity	Art No Part No	Benämning	Description	Anmärkning Notes
1	1	1483-2294-01	Plog	Plough	
2	1	9598-0002-02	Låsnål	Cotter Pin	
3	1	1483-2286-01	Skruv	Pin	
4	1	1483-2292-01	Skruv	Pin	
5	1	9599-0052-02	Saxsprint	Cotter Pin	
6	1	1483-2293-01	Fäste	Bracket	



**SILEX 500 RG**


Pos. Fig.	Antal Quantity	Art No Part No	Benämning	Description	Anmärkning Notes
1	1	1483-2287-01	Bromssporre	Rod	
2	1	1483-2286-01	Skruv	Pin	
3	1	9599-0052-02	Saxsprint	Cotter Pin	
4	1	1483-2292-01	Skruv	Pin	
5	1	1483-2293-01	Fäste	Bracket	