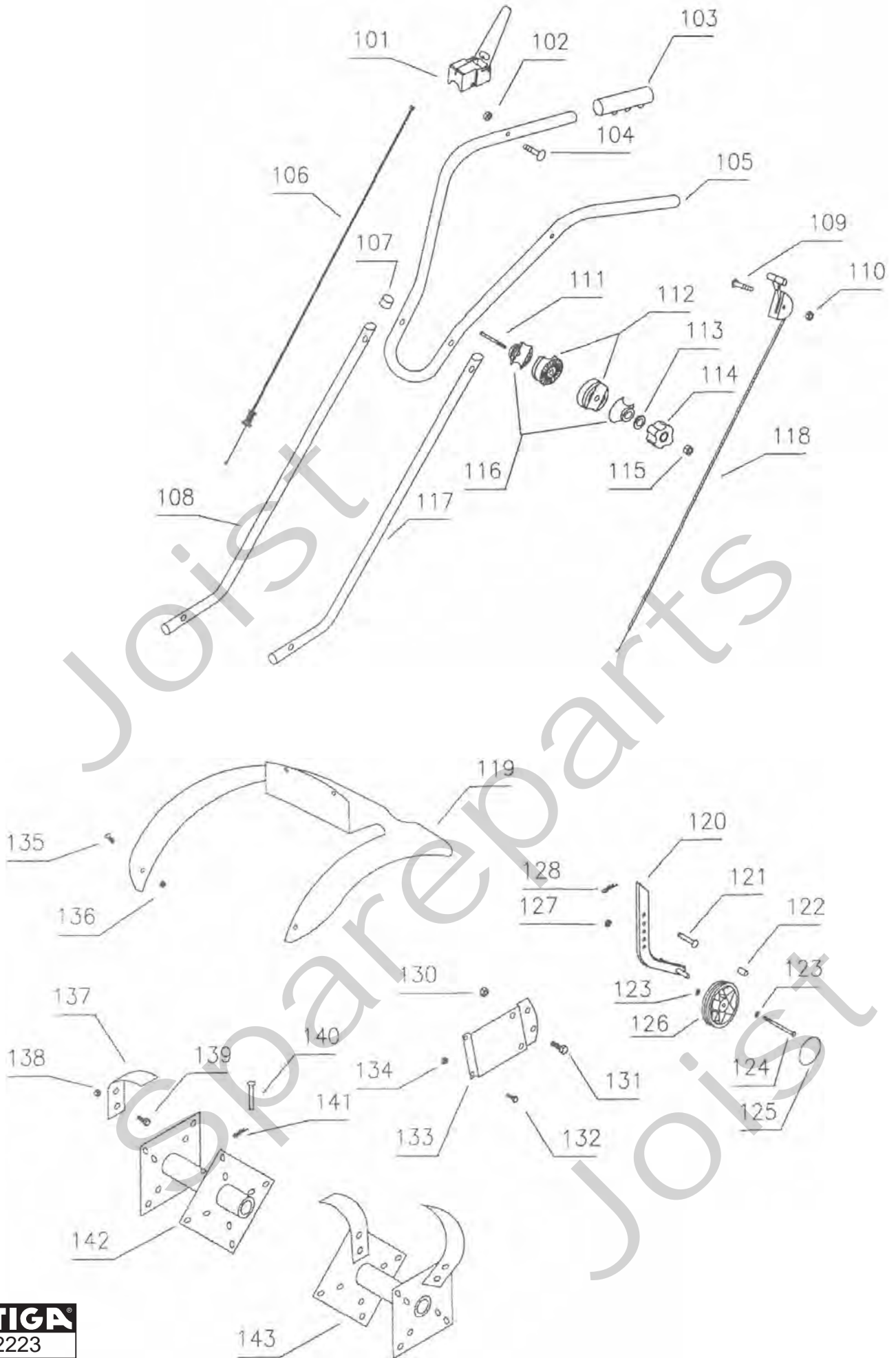


# Genuine Spare Parts

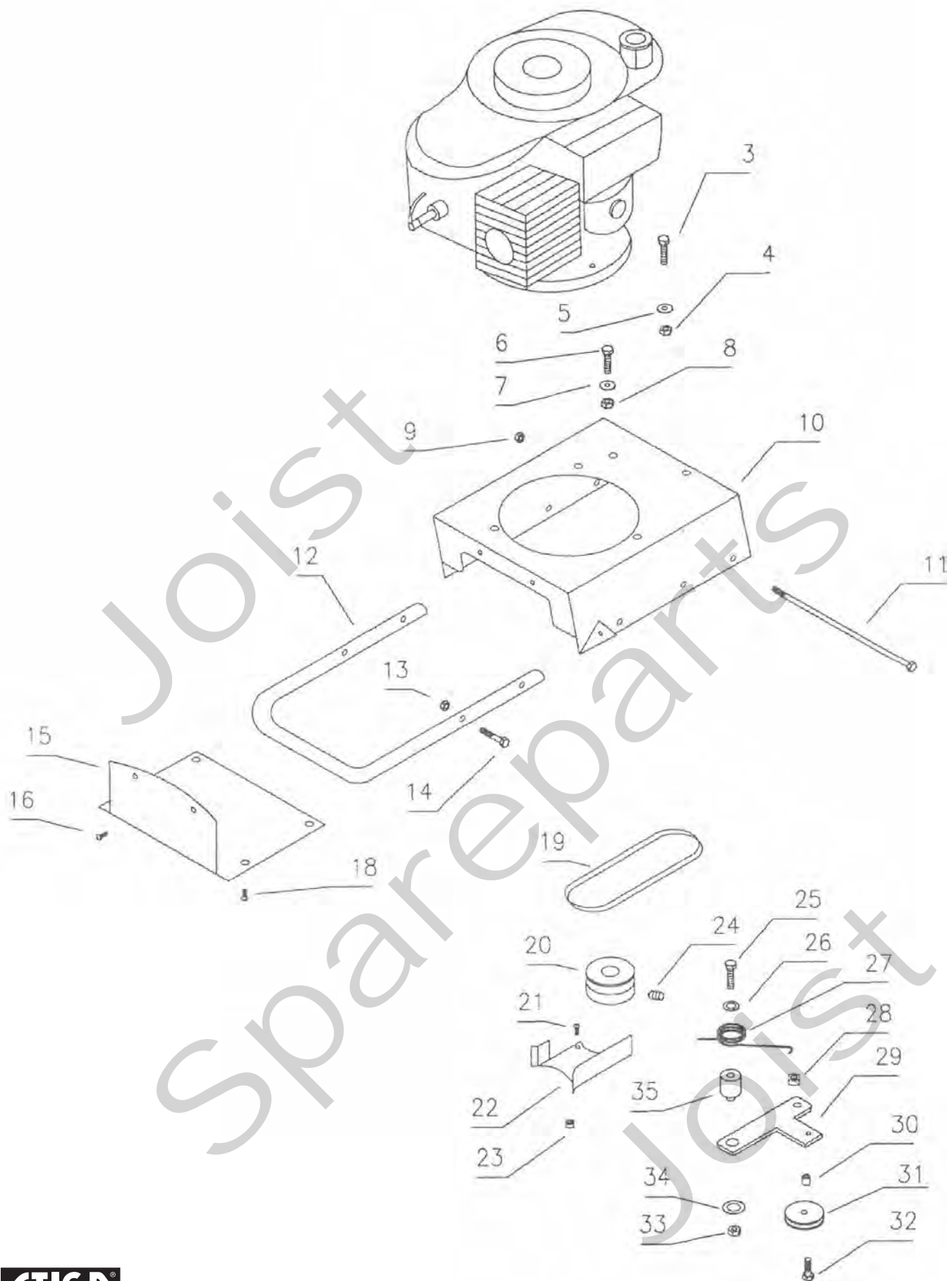
---



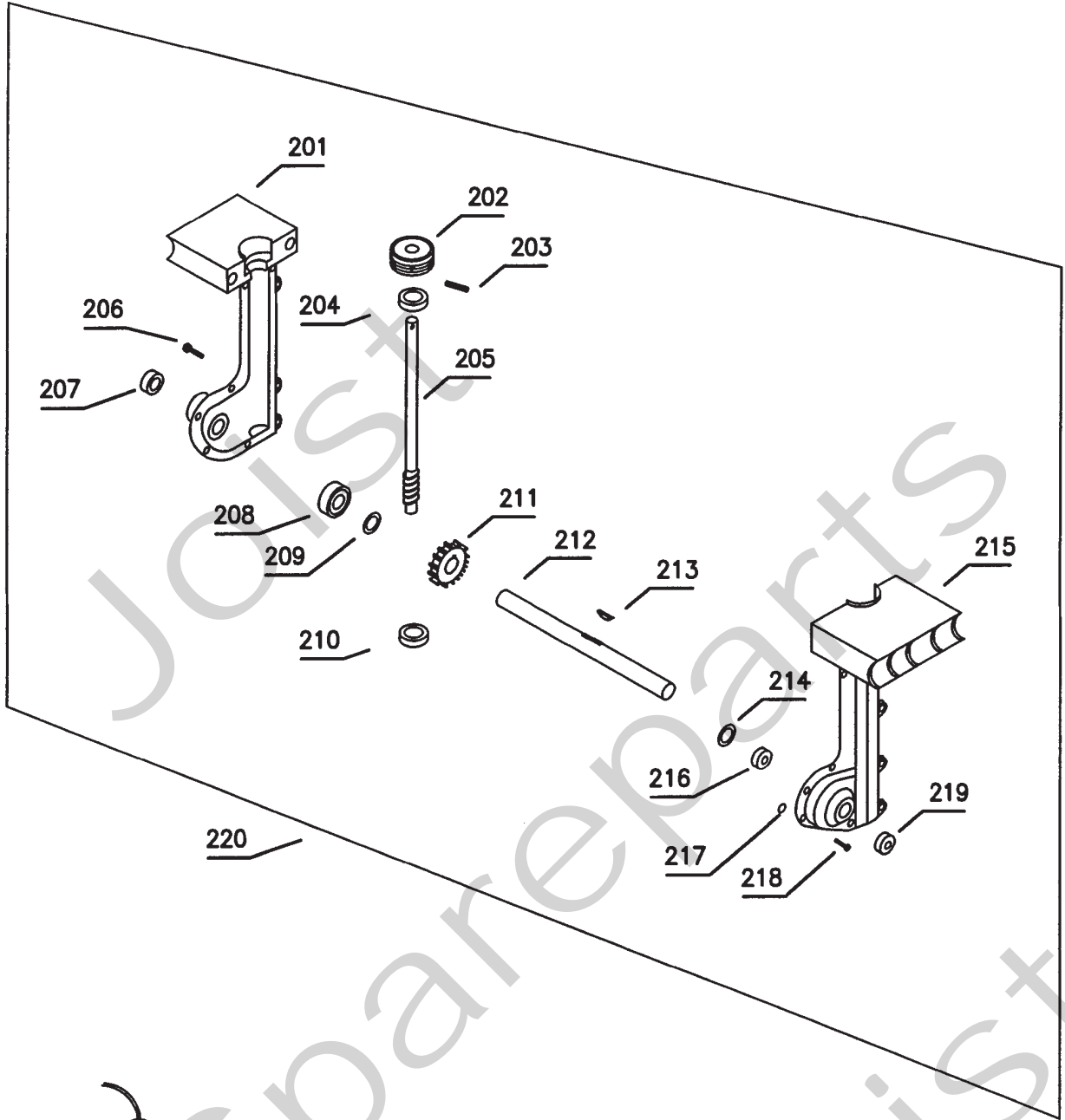
Joist  
Spareparts  
Joist



| Utgåva<br>Issue |                | Bildnr<br>Picture No |  | JB 350<br>STYRE<br>ROTORER |                            | JB 350<br>HANDLE<br>ROTORS |             | Sida<br>Page |                     |
|-----------------|----------------|----------------------|--|----------------------------|----------------------------|----------------------------|-------------|--------------|---------------------|
| 2007- 12        |                | 2223                 |  |                            |                            |                            |             | 206          |                     |
| Pos.<br>Fig.    | Antal/Quantity |                      |  |                            | Art nr<br>Part No          | Benämning                  | Description | Sats<br>Kit  | Anmärkning<br>Notes |
|                 | 2235           |                      |  |                            |                            |                            |             |              |                     |
|                 | -11            |                      |  |                            |                            |                            |             |              |                     |
| 101             | 1              |                      |  | 1482-1106-01               | Kopplingsreglage.....      | Clutch handle .....        |             |              |                     |
| 102             | 1              |                      |  | 9747-0631-02               | Låsmutter .....            | Lock nut .....             |             |              |                     |
| 103             | 2              |                      |  | 1482-0575-01               | Handtag .....              | Handle grip .....          |             |              |                     |
| 104             | 1              |                      |  | 9948-0650-16               | Skruv .....                | Screw .....                |             |              |                     |
| 105             | 1              |                      |  | 1482-1116-01               | Styre- överdel .....       | Handle tube- upper.....    |             |              |                     |
| 106             | 1              |                      |  | 1482-1125-01               | Kopplingswire.....         | Clutch cable .....         |             |              |                     |
| 107             | 2              |                      |  | 1482-1132-01               | Plugg .....                | Plug .....                 |             |              |                     |
| 108             | 1              |                      |  | 1482-1128-01               | Styrrör- hö .....          | Handlebar- RH.....         |             |              |                     |
| 109             | 1              |                      |  | 9948-0660-16               | Skruv .....                | Screw .....                |             |              |                     |
| 110             | 1              |                      |  | 9747-0631-02               | Låsmutter .....            | Lock nut .....             |             |              |                     |
| 111             | 2              |                      |  | 9997-0812-02               | Skruv .....                | Screw .....                |             |              |                     |
| 112             | 4              |                      |  | 1482-1135-01               | Spärrblock .....           | Plastic bracket.....       |             |              |                     |
| 113             | 2              |                      |  | 9699-0028-02               | Planbricka.....            | Flat washer.....           |             |              |                     |
| 114             | 2              |                      |  | 1482-1133-01               | Lås ratt .....             | Locking knob .....         |             |              |                     |
| 115             | 2              |                      |  | 9799-0831-02               | Mutter .....               | Nut .....                  |             |              |                     |
| 116             | 4              |                      |  | 1482-1134-01               | Spärrblock .....           | Plastic bracket.....       |             |              |                     |
| 117             | 1              |                      |  | 1482-1129-01               | Styrrör- vä .....          | Handlebar- LH .....        |             |              |                     |
| 118             | 1              |                      |  | 1482-1126-01               | Gasreglage.....            | Throttle control .....     |             |              |                     |
| 119             | 1              |                      |  | 1482-1117-01               | Knivskyddsskärm- gul ..... | Blade guard- yellow.....   |             |              |                     |
| 120             | 1              |                      |  | 1482-1127-01               | Bromssporre/hjulstöd ..... | Depth skid/wheel supp..... |             |              |                     |
| 121             | 2              |                      |  | 1482-0917-01               | Sprint .....               | Cotter bolt .....          |             |              |                     |
| 122             | 2              |                      |  | 1482-1118-01               | Bussning .....             | Bushing .....              |             |              |                     |
| 123             | 4              |                      |  | 9699-0028-02               | Planbricka.....            | Flat washer.....           |             |              |                     |
| 124             | 1              |                      |  | 9997-0816-02               | Skruv .....                | Screw .....                |             |              |                     |
| 125             | 2              |                      |  | 1482-1131-01               | Navkapsel .....            | Hub cap .....              |             |              |                     |
| 126             | 2              |                      |  | 1482-1130-01               | Stödhjul .....             | Support wheel.....         |             |              |                     |
| 127             | 1              |                      |  | 1482-0974-01               | Mutter .....               | Nut .....                  |             |              |                     |
| 128             | 1              |                      |  | 9598-0002-02               | Låsnål .....               | Pin lock .....             |             |              |                     |
| 130             | 2              |                      |  | 1482-0974-01               | Mutter .....               | Nut .....                  |             |              |                     |
| 131             | 2              |                      |  | 1482-0972-01               | Skruv .....                | Screw .....                |             |              |                     |
| 132             | 2              |                      |  | 1482-1080-01               | Skruv .....                | Screw .....                |             |              |                     |
| 133             | 2              |                      |  | 1482-1108-01               | Bakre konsol.....          | Rear console .....         |             |              |                     |
| 134             | 2              |                      |  | 1482-0983-01               | Mutter .....               | Nut .....                  |             |              |                     |
| 135             | 2              |                      |  | 1482-0884-01               | Skruv .....                | Screw .....                |             |              |                     |
| 136             | 2              |                      |  | 9739-0631-22               | Mutter .....               | Nut .....                  |             |              |                     |
| 137             | 16             |                      |  | 1482-1121-01               | Knivblad .....             | Blade .....                |             |              |                     |
| 138             | 32             |                      |  | 9794-5131-02               | Mutter .....               | Nut .....                  |             |              |                     |
| 139             | 32             |                      |  | 9987-5119-16               | Skruv .....                | Screw .....                |             |              |                     |
| 140             | 2              |                      |  | 1482-1123-01               | Sprint .....               | Cotter pin .....           |             |              |                     |
| 141             | 2              |                      |  | 9598-0002-02               | Låsnål .....               | Pin lock .....             |             |              |                     |
| 142             | 2              |                      |  | 1482-1111-01               | Knivrör .....              | Blade tube .....           |             |              |                     |
| 143             | 2              |                      |  | 1482-1112-01               | Knivrotor kpl.....         | Blades assy .....          |             |              |                     |



| Utgåva<br>Issue |                | Bildnr<br>Picture No |  | JB 350<br>TRANSMISSION |                      | JB 350<br>TRANSMISSION |             | Sida<br>Page |                     |
|-----------------|----------------|----------------------|--|------------------------|----------------------|------------------------|-------------|--------------|---------------------|
| 2007- 12        |                | 2222                 |  |                        |                      |                        |             | 208          |                     |
| Pos.<br>Fig.    | Antal/Quantity |                      |  |                        | Art nr<br>Part No    | Benämning              | Description | Sats<br>Kit  | Anmärkning<br>Notes |
|                 | 2235<br>-11    |                      |  |                        |                      |                        |             |              |                     |
| 3               | 3              |                      |  | 1482-0973-01           | Skruv.....           | Screw.....             |             |              |                     |
| 4               | 3              |                      |  | 1482-0974-01           | Mutter.....          | Nut.....               |             |              |                     |
| 5               | 3              |                      |  | 9699-0056-02           | Planbricka.....      | Flat washer.....       |             |              |                     |
| 6               | 1              |                      |  | 9997-0835-12           | Skruv.....           | Screw.....             |             |              |                     |
| 7               | 1              |                      |  | 9699-0028-02           | Planbricka.....      | Flat washer.....       |             |              |                     |
| 8               | 1              |                      |  | 1482-0974-01           | Mutter.....          | Nut.....               |             |              |                     |
| 9               | 2              |                      |  | 1482-0974-01           | Mutter.....          | Nut.....               |             |              |                     |
| 10              | 1              |                      |  | 1482-1113-01           | Chassi.....          | Chassis.....           |             |              |                     |
| 11              | 2              |                      |  | 1482-1114-01           | Skruv.....           | Screw.....             |             |              |                     |
| 12              | 1              |                      |  | 1482-1115-01           | Chassirörbygel.....  | Chassis tube.....      |             |              |                     |
| 13              | 2              |                      |  | 1482-0974-01           | Mutter.....          | Nut.....               |             |              |                     |
| 14              | 2              |                      |  | 1482-0973-01           | Skruv.....           | Screw.....             |             |              |                     |
| 15              | 1              |                      |  | 1482-1119-01           | Skyddsplåt- gul..... | Cover- yellow.....     |             |              |                     |
| 16              | 2              |                      |  | 9943-0612-16           | Skruv.....           | Screw.....             |             |              |                     |
| 18              | 4              |                      |  | 9943-0612-16           | Skruv.....           | Screw.....             |             |              |                     |
| 19              | 1              |                      |  | 1482-1136-01           | Drivrem.....         | Belt.....              |             |              |                     |
| 20              | 1              |                      |  | 1482-1120-01           | Remskiva.....        | Pulley.....            |             |              |                     |
| 21              | 2              |                      |  | 9997-0616-16           | Skruv.....           | Screw.....             |             |              |                     |
| 22              | 1              |                      |  | 1482-1124-01           | Remstyrning.....     | Belt guide.....        |             |              |                     |
| 23              | 2              |                      |  | 9747-0631-02           | Låsmutter.....       | Lock nut.....          |             |              |                     |
| 24              | 2              |                      |  | 9915-0808-15           | Stoppskruv.....      | Set screw.....         |             |              |                     |
| 25              | 1              |                      |  | 9997-0850-16           | Skruv.....           | Screw.....             |             |              |                     |
| 26              | 1              |                      |  | 9699-0028-02           | Planbricka.....      | Flat washer.....       |             |              |                     |
| 27              | 1              |                      |  | 1482-1122-01           | Fjäder.....          | Spring.....            |             |              |                     |
| 28              | 1              |                      |  | 9747-0831-02           | Mutter.....          | Lock nut.....          |             |              |                     |
| 29              | 1              |                      |  | 1482-1109-01           | Spännarm.....        | Belt tension arm.....  |             |              |                     |
| 30              | 1              |                      |  | 1482-1105-01           | Bussning.....        | Bushing.....           |             |              |                     |
| 31              | 1              |                      |  | 1482-0856-01           | Spännrulle.....      | Tension roller.....    |             |              |                     |
| 32              | 1              |                      |  | 9997-0830-16           | Skruv.....           | Screw.....             |             |              |                     |
| 33              | 1              |                      |  | 1482-0974-01           | Mutter.....          | Nut.....               |             |              |                     |
| 34              | 1              |                      |  | 9699-0056-02           | Planbricka.....      | Flat washer.....       |             |              |                     |
| 35              | 1              |                      |  | 1482-1110-01           | Bussning.....        | Bushing.....           |             |              |                     |



| Utgåva<br>Issue |                | Bildnr<br>Picture No |  | JB 350<br>SNÄCKVÄXEL |                   | JB 350<br>WORM GEAR       |                            | Sida<br>Page |                     |
|-----------------|----------------|----------------------|--|----------------------|-------------------|---------------------------|----------------------------|--------------|---------------------|
| 2007-12         |                | 2224                 |  |                      |                   |                           |                            | 210          |                     |
| Pos.<br>Fig.    | Antal/Quantity |                      |  |                      | Art nr<br>Part No | Benämning                 | Description                | Sats<br>Kit  | Anmärkning<br>Notes |
|                 | 2235<br>-11    |                      |  |                      |                   |                           |                            |              |                     |
| 220             | 1              |                      |  |                      | 1482-1107-01      | Snäckväxel kpl.....       | Worm gear assy.....        |              | Inkl. pos 201 - 219 |
| 221             | 1              |                      |  |                      | 1482-0536-01      | Växelhusolja (0.5 l)..... | Gear case oil (0.5 l)..... |              |                     |