

Genuine Spare Parts

www.stiga.com

SILEX 40 RG Model Year 2011

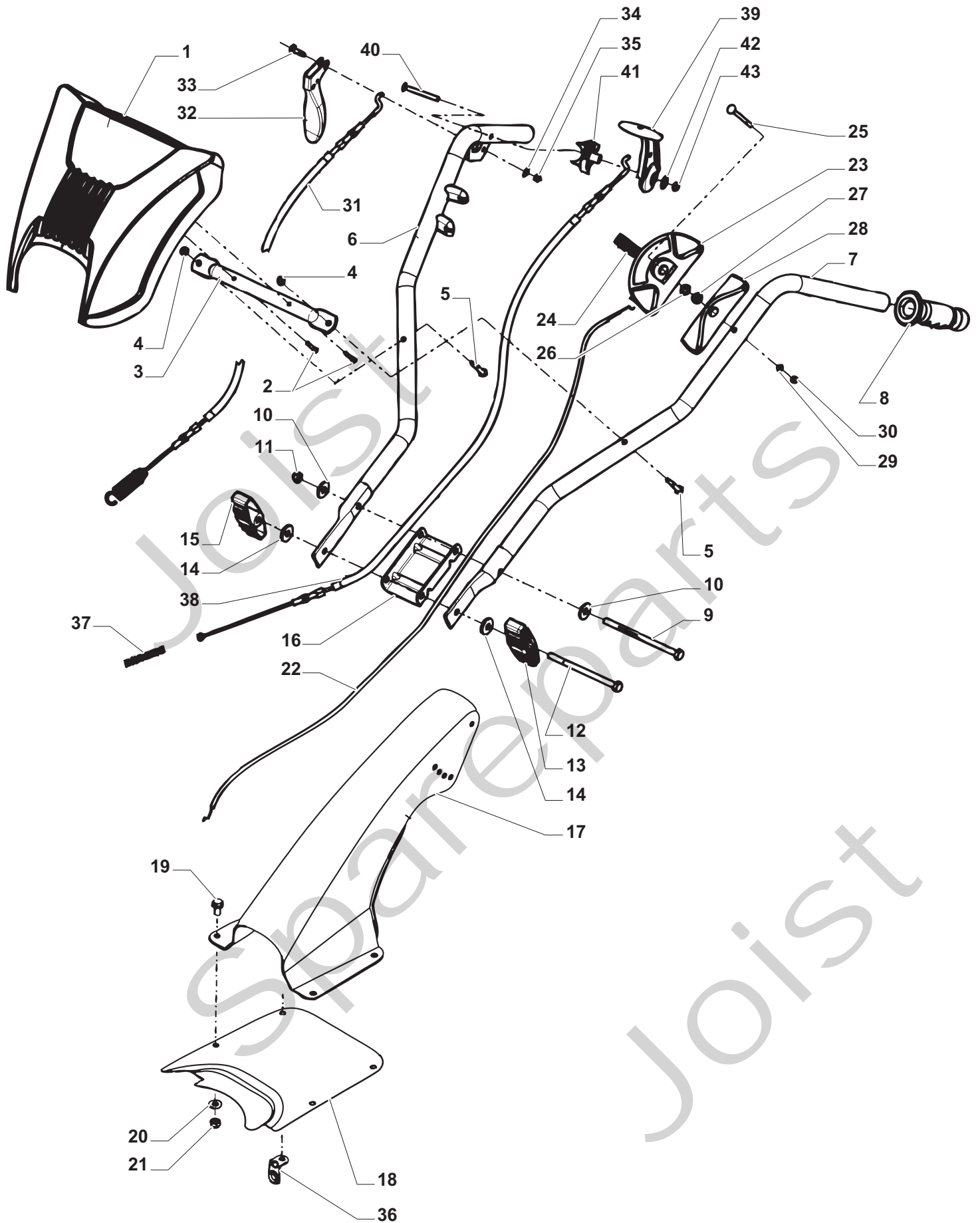
- Use GLOBAL GARDEN PRODUCT Genuine Spare Parts specified in the parts list for repair and/or replacement.
- The contents described in the parts list may change due to improvement.
- The drawings of the spare parts are only indicative and might not represent the part in question exactly.
- The indications "right" - "left" - "front" - "rear" refer to the position of the operator when using the machine.
- When placing orders of parts for repair and/or replacement, make sure that the illustrated parts list is the one applying to the machine's year of manufacture, as shown on the identification plate attached to the machine.

COPYRIGHT by GLOBAL GARDEN PRODUCTS

All rights reserved. No part of this material may be reproduced or transmitted, in any form or by any means, electronic or mechanical, including photocopying, recording or by any information storage and retrieval system, without permission in writing from GLOBAL GARDEN PRODUCTS.



SILEX 40 RG

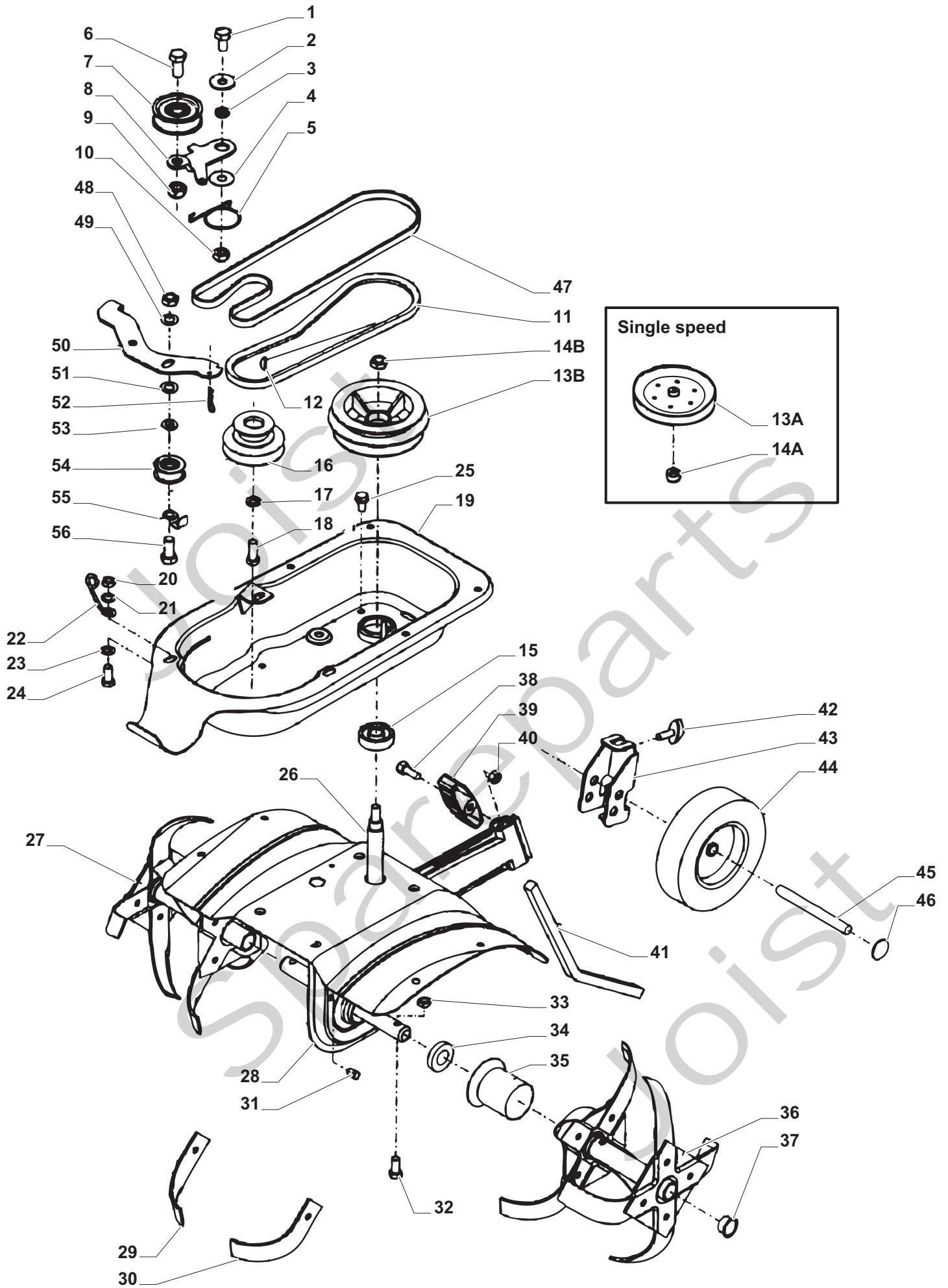




SILEX 40 RG

| Pos. Fig. | Antal Quantity | Art No Part No | Benämning | Description | Anmärkning Notes |
|-----------|----------------|----------------|-----------------------|-----------------------|------------------|
| 1 | 1 | 1483-2182-01 | Panel-gul | Mask, Yellow | |
| 2 | 2 | 1483-2200-01 | Skruv | Screw | |
| 3 | 1 | 1483-2180-01 | Panelstag | Bracket | |
| 4 | 2 | 9747-0631-02 | Mutter | Nut | |
| 5 | 2 | 9997-0635-12 | Skruv | Screw | |
| 6 | 2 | 1483-2178-01 | Styrrör-hö | Handle (50R-B) | |
| 6 | 1 | 1483-2179-01 | Styrrör-hö | Handle (50-G / 50-H) | |
| 7 | 1 | 1483-2177-01 | Styrrör-vä | Handle | |
| 8 | 2 | 1483-2079-01 | Handtagsgrepp | Handgrip | |
| 9 | 1 | 9997-0813-02 | Skruv | Screw | |
| 10 | 2 | 9699-0122-02 | Bricka | Washer | |
| 11 | 1 | 9747-0831-02 | Mutter | Nut | |
| 12 | 1 | 9997-0812-02 | Skruv | Screw | |
| 13 | 1 | 1483-2045-01 | Ratt utan mutter | Knob | |
| 14 | 2 | 9699-0056-02 | Planbricka | Washer | |
| 15 | 1 | 1483-2006-01 | Ratt m.mutter | Knob | |
| 16 | 1 | 1483-2046-01 | Reduktion | Stiffening | |
| 17 | 1 | 1483-2041-01 | Styrfäste-gul | Support Yellow | |
| 18 | 1 | 1483-2029-01 | Platta-gul | Plate Yellow | |
| 19 | 4 | 9959-0820-16 | Skruv | Screw | |
| 20 | 4 | 9699-0028-02 | Planbricka | Washer | |
| 21 | 4 | 9747-0831-02 | Mutter | Nut | |
| 22 | 1 | 1483-2181-01 | Gaswire | Throttle Cable (75-G) | |
| 23 | 1 | 322981740/1 | Gasreglage | Accelerator | |
| 24 | 1 | 81007279/1 | Gasarm | Lever, Throttle | |
| 25 | 1 | 9898-0855-12 | Skruv | Screw | |
| 26 | 1 | 9699-0035-02 | Planbricka | Washer | |
| 27 | 1 | 12508100/0 | Låsbricka | Washer | |
| 28 | 1 | 22171006/0 | Distans | Spacer | |
| 29 | 1 | 9699-0024-02 | Planbricka | Washer | |
| 30 | 1 | 9799-0531-02 | Mutter | Nut | |
| 31 | 1 | 1483-2053-01 | Kopplingswire | Cable | |
| 32 | 1 | 1483-2008-01 | Kopplingshandtag | Handle | |
| 33 | 1 | 1483-2005-01 | Skruv | Pin | |
| 34 | 1 | 9699-0025-02 | Planbricka | Washer | |
| 35 | 1 | 9747-0531-02 | Mutter | Nut | |
| 36 | 1 | 1483-2021-01 | Vinkelfäste | Support | |
| 37 | 1 | 1483-2019-01 | Fjäder | Spring (50R-B) | |
| 38 | 1 | 1483-2051-01 | Kopplingswire-back | Cable (50R-B) | |
| 39 | 1 | 1483-2017-01 | Kopplingshandtag-back | Lever | |
| 40 | 1 | 9948-0655-16 | Skruv | Screw | |
| 41 | 1 | 1483-2018-01 | Stöd | Support | |
| 42 | 1 | 9699-0100-02 | Bricka | Washer | |
| 43 | 1 | 9747-0631-02 | Mutter | Nut | |

SILEX 40 RG





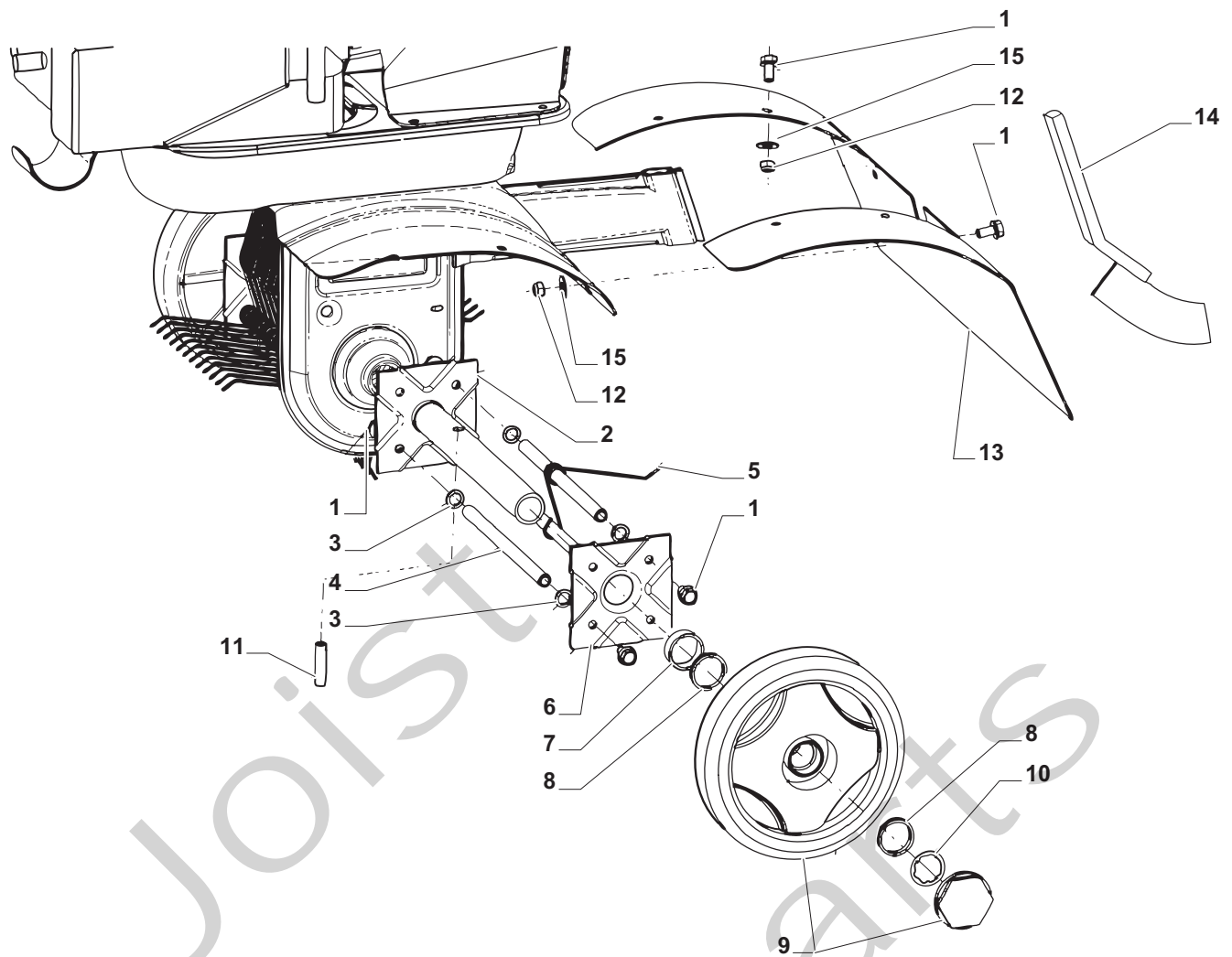
SILEX 40 RG

| Pos. Fig. | Antal Quantity | Art No Part No | Benämning | Description | Anmärkning Notes |
|-----------|----------------|----------------|------------------|-----------------------|------------------|
| 1 | 1 | 9997-1020-16 | Skruv | Screw | |
| 2 | 1 | 9699-0105-02 | Bricka | Washer | |
| 3 | 1 | 1483-2001-01 | Bussning | Bush | |
| 4 | 1 | 1483-2020-01 | Distans | Spacer | |
| 5 | 1 | 1483-2033-01 | Returfjäder | Spring | |
| 6 | 1 | 1483-2076-01 | Skruv | Screw | |
| 7 | 1 | 1483-2004-01 | Spännrulle | Pulley | |
| 8 | 1 | 1483-2032-01 | Spännarm | Lever | |
| 9 | 1 | 9747-1231-02 | Mutter | Nut | |
| 10 | 1 | 9747-1031-02 | Mutter | Nut | |
| 11 | 1 | 1483-2034-01 | Drivrem | Belt | |
| 12 | 1 | 12139100/0 | Kil | Key | |
| 12 | 1 | 1483-2140-01 | Kil | Key (40R-G) | |
| 13B | 1 | 1483-2025-01 | Remskiva | Pulley (50R-B) | |
| 13A | 1 | 1483-2028-01 | Remskiva | Pulley (50-G / 50-H) | |
| 14A | 1 | 1483-2027-01 | Distans | Spacer (50-G / 50-H) | |
| 14B | 1 | 9799-1231-02 | Mutter | Nut | |
| 15 | 1 | 1483-2071-01 | Kullager | Bearing | |
| 16 | 1 | 1483-2065-01 | Remskiva | Pulley | |
| 17 | 1 | 9699-0035-02 | Planbricka | Washer | |
| 18 | 1 | 9987-5225-16 | Skruv | Screw | |
| 19 | 1 | 1483-2038-01 | Transm.hus-gul | Transm.housing-yellow | |
| 20 | 1 | 9747-0831-02 | Mutter | Nut | |
| 21 | 1 | 9699-0028-02 | Planbricka | Washer | |
| 22 | 1 | 1482-2139-01 | Kabelhållare | Support | |
| 23 | 1 | 9699-0028-02 | Planbricka | Washer | |
| 24 | 1 | 9997-0835-12 | Skruv | Screw | |
| 24 | 1 | 9997-0840-16 | Skruv | Screw L = 40 Mm | |
| 25 | 4 | 9959-0816-16 | Skruv | Screw | |
| 26 | 1 | 1483-2011-01 | Snäckskruv | Endless screw | |
| 27 | 1 | 1483-2055-01 | Knivrotor kpl-hö | Right Tine Assy | |
| 28 | 1 | 1483-2037-01 | Växelhus-gul | Transm.housing-yellow | |
| 29 | 8 | 1483-2014-01 | Kniv-vä | Left Tine | |
| 30 | 8 | 1483-2013-01 | Kniv-hö | Right Tine | |
| 31 | 1 | 1483-2075-01 | Lock | Cap | |
| 32 | 2 | 9997-0835-12 | Skruv | Screw | |
| 33 | 2 | 9747-0831-02 | Mutter | Nut | |
| 34 | 2 | 1483-2069-01 | Tätningring | Oil Seal | |
| 35 | 2 | 1483-2012-01 | Dammskydd | Dust Cover | |
| 36 | 1 | 1483-2054-01 | Knivrotor kpl-vä | Left Tine Assy | |
| 37 | 2 | 1483-2015-01 | Plastlock | Cap | |
| 38 | 1 | 9997-0820-16 | Skruv | Screw | |
| 39 | 1 | 1483-2045-01 | Ratt utan mutter | Knob | |
| 40 | 1 | 9747-0831-02 | Mutter | Nut | |
| 41 | 1 | 1483-2063-01 | Bromssporre | Lever | |
| 42 | 1 | 1483-2077-01 | Skruv | Screw | |
| 43 | 1 | 1483-2056-01 | Hjulstöd | Support | |
| 44 | 2 | 1483-2058-01 | Stödhjul | Wheel | |
| 45 | 1 | 1483-2057-01 | Hjulaxel | Axle, Wheels | |
| 46 | 2 | 1483-2074-01 | Låsning | Fastener | |
| 47 | 1 | 1483-2036-01 | Drive belt | Belt (50R-B) | |
| 48 | 1 | 9799-1031-02 | Mutter | Nut | |
| 49 | 1 | 9699-0035-02 | Planbricka | Washer | |
| 50 | 1 | 1483-2031-01 | Spännarm-back | Lever (50R-B) | |
| 51 | 1 | 9699-0035-02 | Planbricka | Washer | |
| 52 | 1 | 9599-0052-02 | Saxsprint | Cotter Pin | |
| 53 | 1 | 9699-0035-02 | Planbricka | Washer | |
| 54 | 1 | 1483-2003-01 | Spännrulle | Roll (50R-B) | |
| 55 | 1 | 1483-2030-01 | Remstyrning | Belt Guide (50R-B) | |



SILEX 40 RG

| Pos. Fig. | Antal Quantity | Art No Part No | Benämning | Description | Anmärkning Notes |
|-----------|----------------|----------------|-----------|-------------|------------------|
| 56 | 1 | 9997-1025-16 | Skruv | Screw | |

SILEX 40 RG


| Pos. Fig. | Antal Quantity | Art No Part No | Benämning | Description | Anmärkning Notes |
|-----------|----------------|----------------|-------------|----------------|------------------|
| 1 | 22 | 9959-0816-16 | Skruv | Screw | |
| 2 | 2 | 1483-2304-01 | Fäste | Clamp | |
| 3 | 16 | 9699-0121-02 | Planbricka | Washer | |
| 4 | 8 | 1483-2305-01 | Axel | Shaft | |
| 5 | 96 | 1483-2307-01 | Fjäder | Spring | |
| 6 | 2 | 1483-2300-01 | Fläns | Flange | |
| 7 | 2 | 1483-2306-01 | Distansring | Spacer | |
| 8 | 4 | 1483-2297-01 | Distans | Spacer | |
| 9 | 2 | 1483-2308-01 | Hjul | Wheel | |
| 10 | 2 | 1483-2322-01 | Låsbricka | Crown Fastener | |
| 11 | 2 | 1483-2323-01 | Sprint | Pin | |
| 12 | 6 | 9747-0831-02 | Mutter | Nut | |
| 13 | 1 | 1483-2321-01 | Skyddsplåt | Cover | |
| 14 | 1 | 1483-2319-01 | Släpsko | Rod | |
| 15 | 6 | 9699-0028-02 | Planbricka | Washer | |