

# Genuine Spare Parts

www.stiga.com

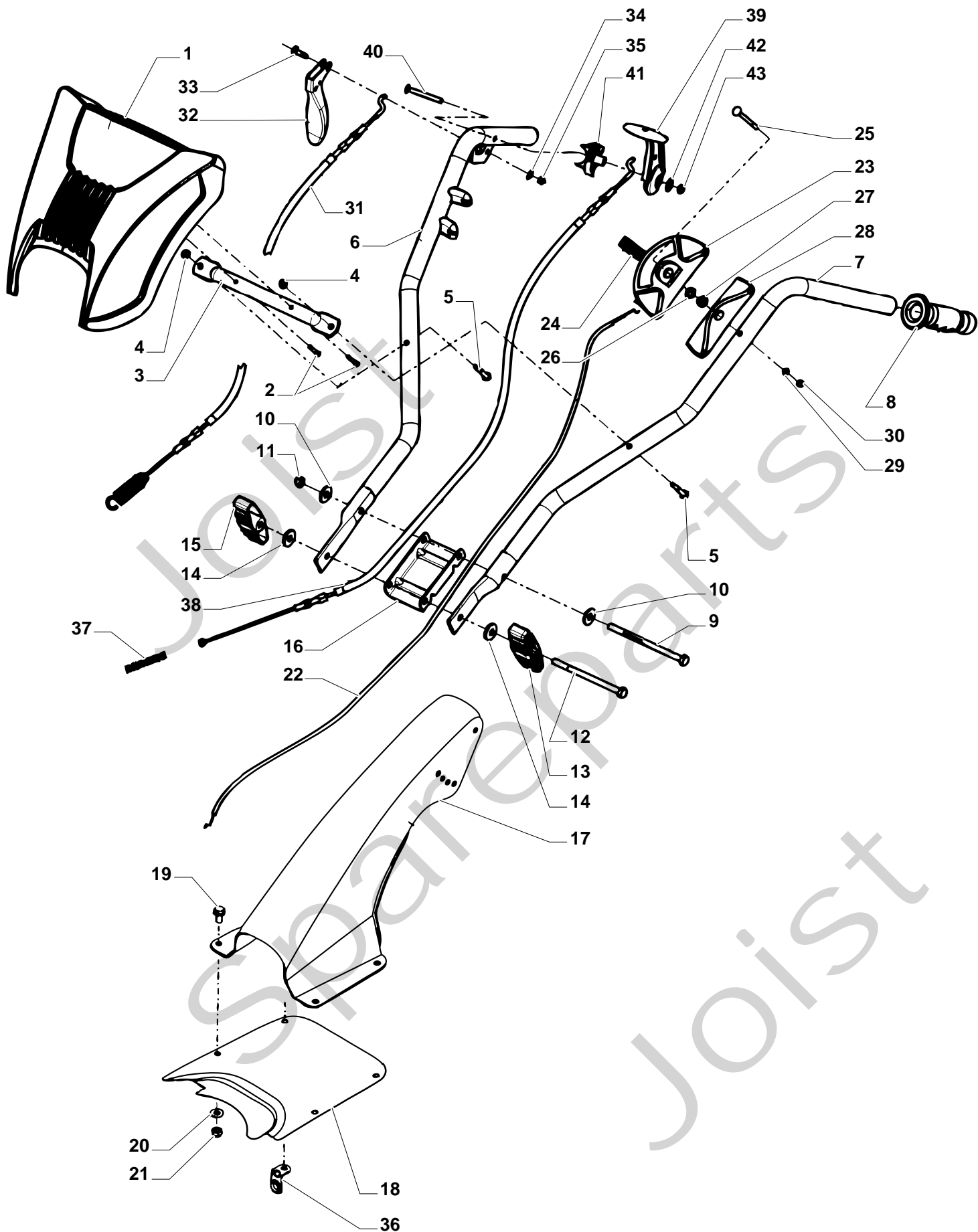
## SILEX 40 RG Model Year 2010

- Use GLOBAL GARDEN PRODUCT Genuine Spare Parts specified in the parts list for repair and/or replacement.
- The contents described in the parts list may change due to improvement.
- The drawings of the spare parts are only indicative and might not represent the part in question exactly.
- The indications "right" - "left" - "front" - "rear" refer to the position of the operator when using the machine.
- When placing orders of parts for repair and/or replacement, make sure that the illustrated parts list is the one applying to the machine's year of manufacture, as shown on the identification plate attached to the machine.

COPYRIGHT by GLOBAL GARDEN PRODUCTS

All rights reserved. No part of this material may be reproduced or transmitted, in any form or by any means, electronic or mechanical, including photocopying, recording or by any information storage and retrieval system, without permission in writing from GLOBAL GARDEN PRODUCTS.

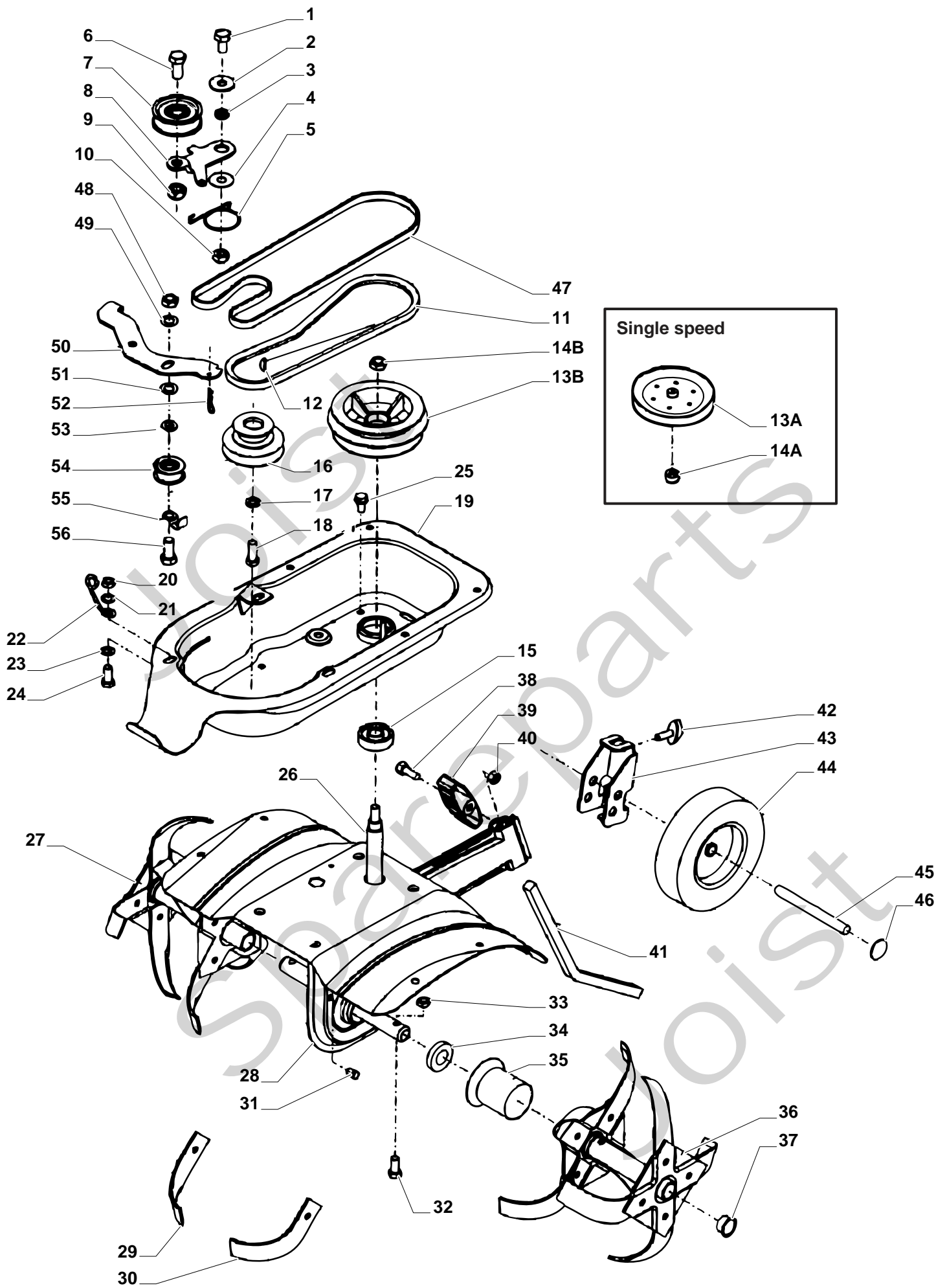






## SILEX 40 RG - Model Year 2010

Pos. Fig.	Antal Quantity	Art No Part No	Benämning	Description	Anmärkning Notes
1	1	1483-2182-01	Panel-gul	Mask, Yellow	
2	2	1483-2200-01	Skruv	Screw	
3	1	1483-2180-01	Panelstag	Bracket	
4	2	9747-0631-02	Mutter	Nut	
5	2	9997-0635-12	Skruv	Screw	
6	2	1483-2178-01	Styrrör-hö	Handle (50R-B)	
6	1	1483-2179-01	Styrrör-hö	Handle (50-G / 50-H)	
7	1	1483-2177-01	Styrrör-vä	Handle	
8	2	1483-2079-01	Handtagsgrepp	Handgrip	
9	1	9997-0813-02	Skruv	Screw	
10	2	9699-0122-02	Bricka	Washer	
11	1	9747-0831-02	Mutter	Nut	
12	1	9997-0812-02	Skruv	Screw	
13	1	1483-2045-01	Ratt utan mutter	Knob	
14	2	9699-0056-02	Planbricka	Washer	
15	1	1483-2006-01	Ratt m.mutter	Knob	
16	1	1483-2046-01	Reduktion	Stiffening	
17	1	1483-2041-01	Styrfäste-gul	Support Yellow	
18	1	1483-2029-01	Platta-gul	Plate Yellow	
19	4	9959-0820-16	Skruv	Screw	
20	4	9699-0028-02	Planbricka	Washer	
21	4	9747-0831-02	Mutter	Nut	
22	1	1483-2181-01	Gaswire	Throttle Cable (75-G)	
23	1	322981740/1	Gasreglage	Accelerator	
24	1	81007279/1	Gasarm	Lever, Throttle	
25	1	9898-0855-12	Skruv	Screw	
26	1	9699-0035-02	Planbricka	Washer	
27	1	12508100/0	Låsbricka	Washer	
28	1	22171006/0	Distans	Spacer	
29	1	9699-0024-02	Planbricka	Washer	
30	1	9799-0531-02	Mutter	Nut	
31	1	1483-2053-01	Kopplingswire	Cable	
32	1	1483-2008-01	Kopplingshandtag	Handle	
33	1	1483-2005-01	Skruv	Pin	
34	1	9699-0025-02	Planbricka	Washer	
35	1	9747-0531-02	Mutter	Nut	
36	1	1483-2021-01	Vinkelfäste	Support	
37	1	1483-2019-01	Fjäder	Spring (50R-B)	
38	1	1483-2051-01	Kopplingswire-back	Cable (50R-B)	
39	1	1483-2017-01	Kopplingshandtag-back	Lever	
40	1	9948-0655-16	Skruv	Screw	
41	1	1483-2018-01	Stöd	Support	
42	1	9699-0100-02	Bricka	Washer	
43	1	9747-0631-02	Mutter	Nut	





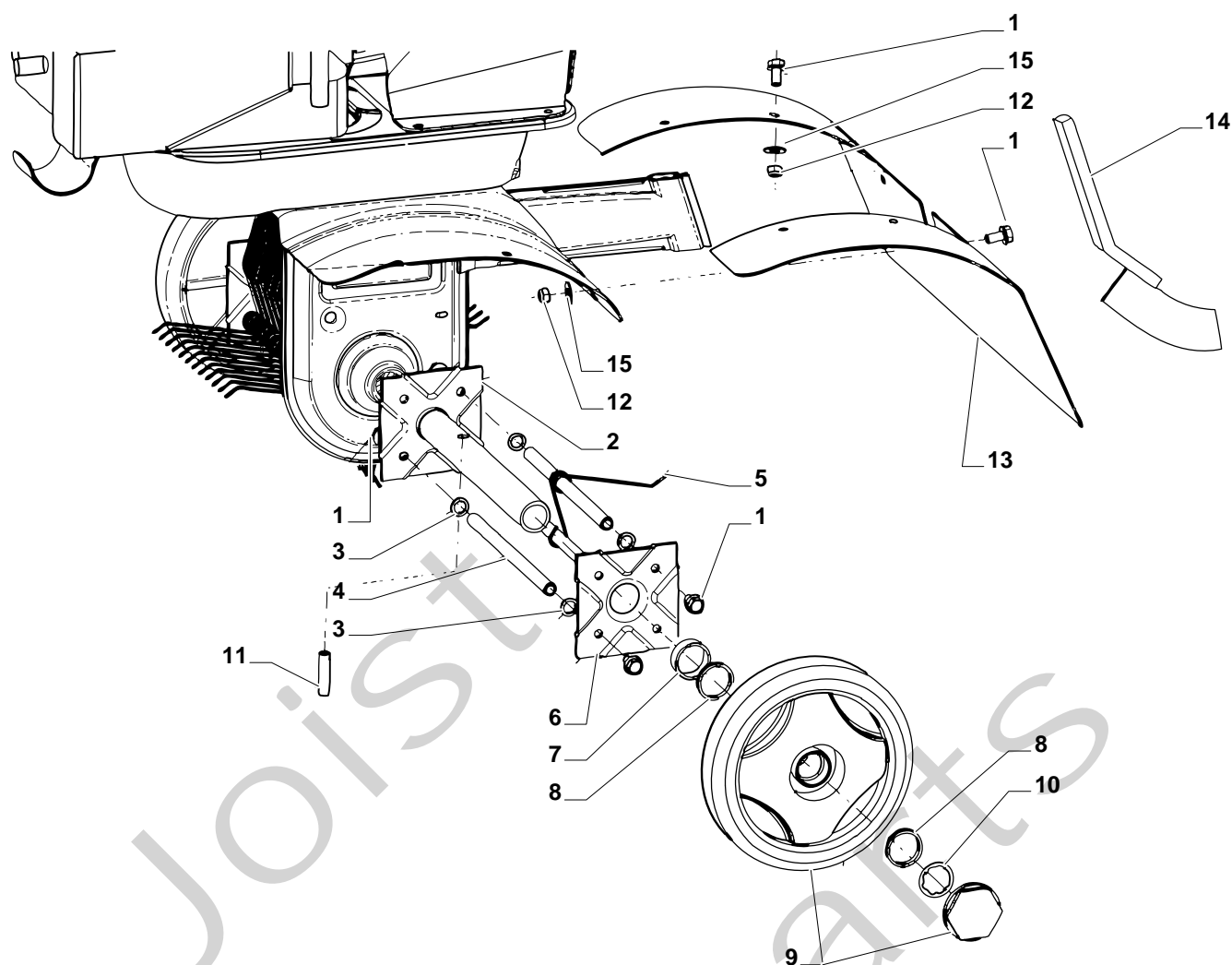
## SILEX 40 RG - Model Year 2010

Pos. Fig.	Antal Quantity	Art No Part No	Benämning	Description	Anmärkning Notes
1	1	9997-1020-16	Skruv	Screw	
2	1	9699-0105-02	Bricka	Washer	
3	1	1483-2001-01	Bussning	Bush	
4	1	1483-2020-01	Distans	Spacer	
5	1	1483-2033-01	Returfjäder	Spring	
6	1	1483-2076-01	Skruv	Screw	
7	1	1483-2004-01	Spännrulle	Pulley	
8	1	1483-2032-01	Spännarm	Lever	
9	1	9747-1231-02	Mutter	Nut	
10	1	9747-1031-02	Mutter	Nut	
11	1	1483-2034-01	Drivrem	Belt	
12	1	12139100/0	Kil	Key	
12	1	1483-2140-01	Kil	Key (40R-G)	
13B	1	1483-2025-01	Remskiva	Pulley (50R-B)	
13A	1	1483-2028-01	Remskiva	Pulley (50-G / 50-H)	
14A	1	1483-2027-01	Distans	Spacer (50-G / 50-H)	
14B	1	9799-1231-02	Mutter	Nut	
15	1	1483-2071-01	Kullager	Bearing	
16	1	1483-2065-01	Remskiva	Pulley	
17	1	9699-0035-02	Planbricka	Washer	
18	1	9987-5225-16	Skruv	Screw	
19	1	1483-2038-01	Transm.hus-gul	Transm.housing-yellow	
20	1	9747-0831-02	Mutter	Nut	
21	1	9699-0028-02	Planbricka	Washer	
22	1	1482-2139-01	Kabelhållare	Support	
23	1	9699-0028-02	Planbricka	Washer	
24	1	9997-0835-12	Skruv	Screw	
24	1	9997-0840-16	Skruv	Screw L = 40 Mm	
25	4	9959-0816-16	Skruv	Screw	
26	1	1483-2011-01	Snäckskruv	Endless screw	
27	1	1483-2055-01	Knivrotor kpl-hö	Right Tine Assy	
28	1	1483-2037-01	Växelhus-gul	Transm.housing-yellow	
29	8	1483-2014-01	Kniv-vä	Left Tine	
30	8	1483-2013-01	Kniv-hö	Right Tine	
31	1	1483-2075-01	Lock	Cap	
32	2	9997-0835-12	Skruv	Screw	
33	2	9747-0831-02	Mutter	Nut	
34	2	1483-2069-01	Tätningring	Oil Seal	
35	2	1483-2012-01	Dammskydd	Dust Cover	
36	1	1483-2054-01	Knivrotor kpl-vä	Left Tine Assy	
37	2	1483-2015-01	Plastlock	Cap	
38	1	9997-0820-16	Skruv	Screw	
39	1	1483-2045-01	Ratt utan mutter	Knob	
40	1	9747-0831-02	Mutter	Nut	
41	1	1483-2063-01	Bromssporre	Lever	
42	1	1483-2077-01	Skruv	Screw	
43	1	1483-2056-01	Hjulstöd	Support	
44	2	1483-2058-01	Stödhjul	Wheel	
45	1	1483-2057-01	Hjulaxel	Axle, Wheels	
46	2	1483-2074-01	Låsning	Fastener	
47	1	1483-2036-01	Drive belt	Belt (50R-B)	
48	1	9799-1031-02	Mutter	Nut	
49	1	9699-0035-02	Planbricka	Washer	
50	1	1483-2031-01	Spännarm-back	Lever (50R-B)	
51	1	9699-0035-02	Planbricka	Washer	
52	1	9599-0052-02	Saxsprint	Cotter Pin	
53	1	9699-0035-02	Planbricka	Washer	
54	1	1483-2003-01	Spännrulle	Roll (50R-B)	
55	1	1483-2030-01	Remstyrning	Belt Guide (50R-B)	



## SILEX 40 RG - Model Year 2010

Pos. Fig.	Antal Quantity	Art No Part No	Benämning	Description	Anmärkning Notes
56	1	9997-1025-16	Skruv	Screw	

**SILEX 40 RG - Model Year 2010**


Pos. Fig.	Antal Quantity	Art No Part No	Benämning	Description	Anmärkning Notes
1	22	9959-0816-16	Skruv	Screw	
2	2	1483-2304-01	Fäste	Clamp	
3	16	9699-0121-02	Planbricka	Washer	
4	8	1483-2305-01	Axel	Shaft	
5	96	1483-2307-01	Fjäder	Spring	
6	2	1483-2300-01	Fläns	Flange	
7	2	1483-2306-01	Distansring	Spacer	
8	4	1483-2297-01	Distans	Spacer	
9	2	1483-2308-01	Hjul	Wheel	
10	2	1483-2322-01	Låsbricka	Crown Fastener	
11	2	1483-2323-01	Sprint	Pin	
12	6	9747-0831-02	Mutter	Nut	
13	1	1483-2321-01	Skyddsplåt	Cover	
14	1	1483-2319-01	Släpsko	Rod	
15	6	9699-0028-02	Planbricka	Washer	