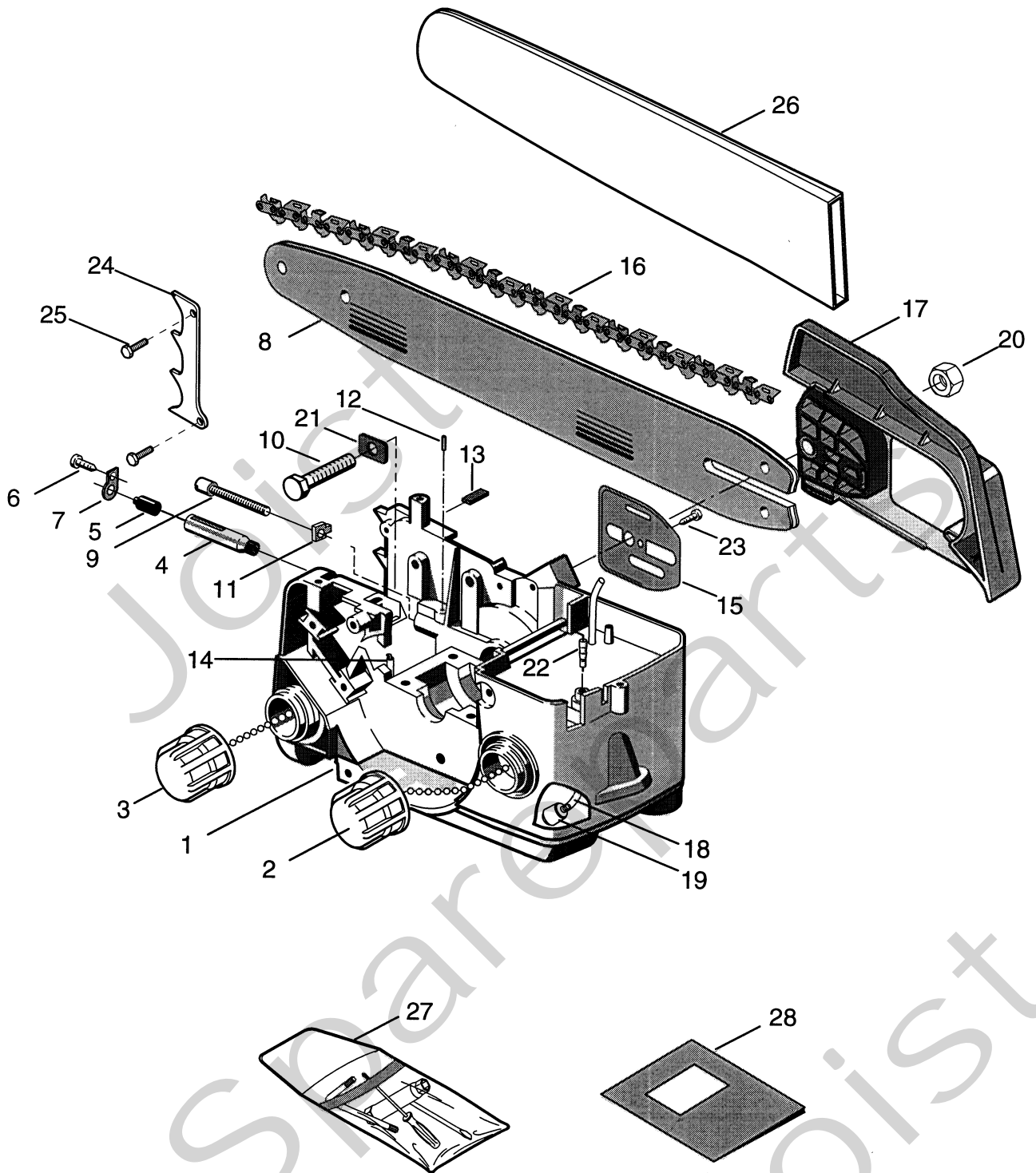


# Genuine Spare Parts

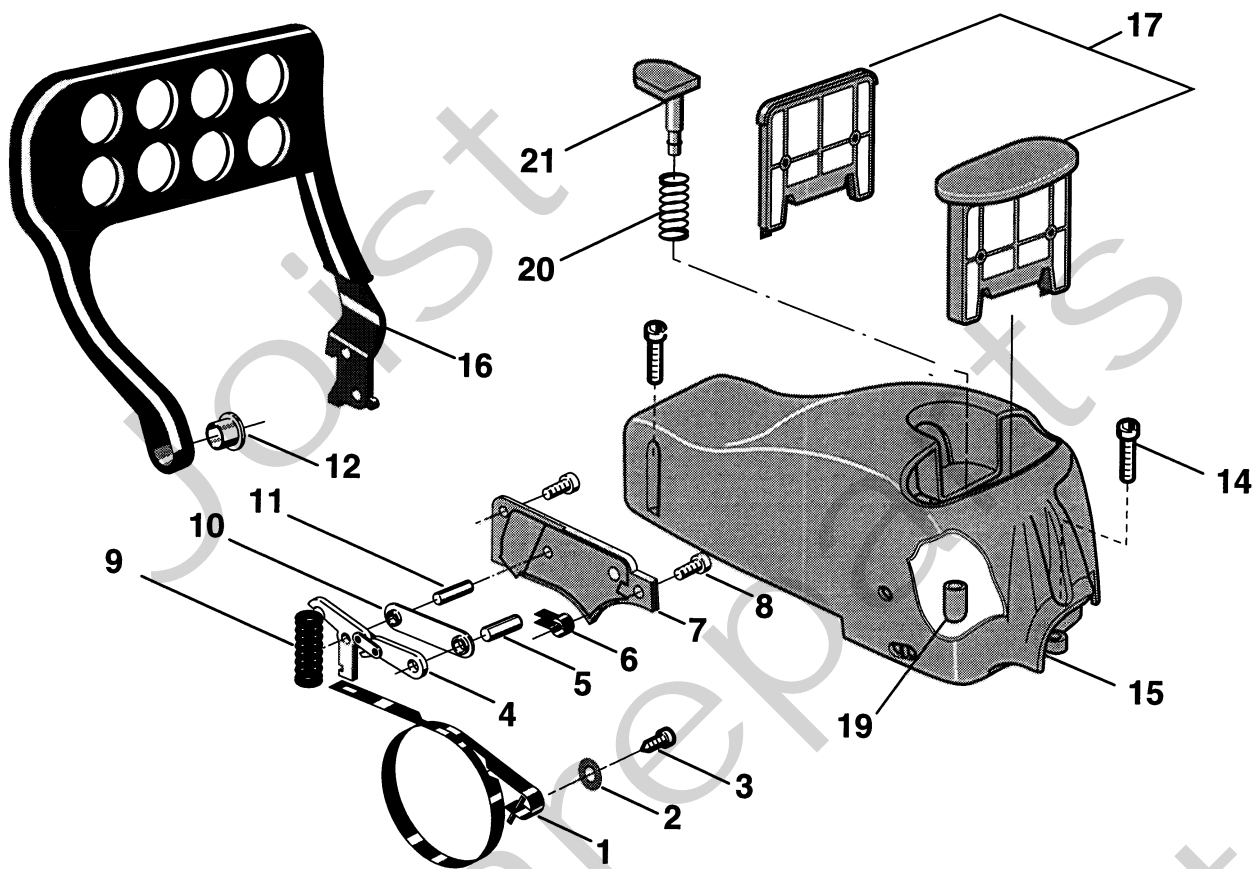
---



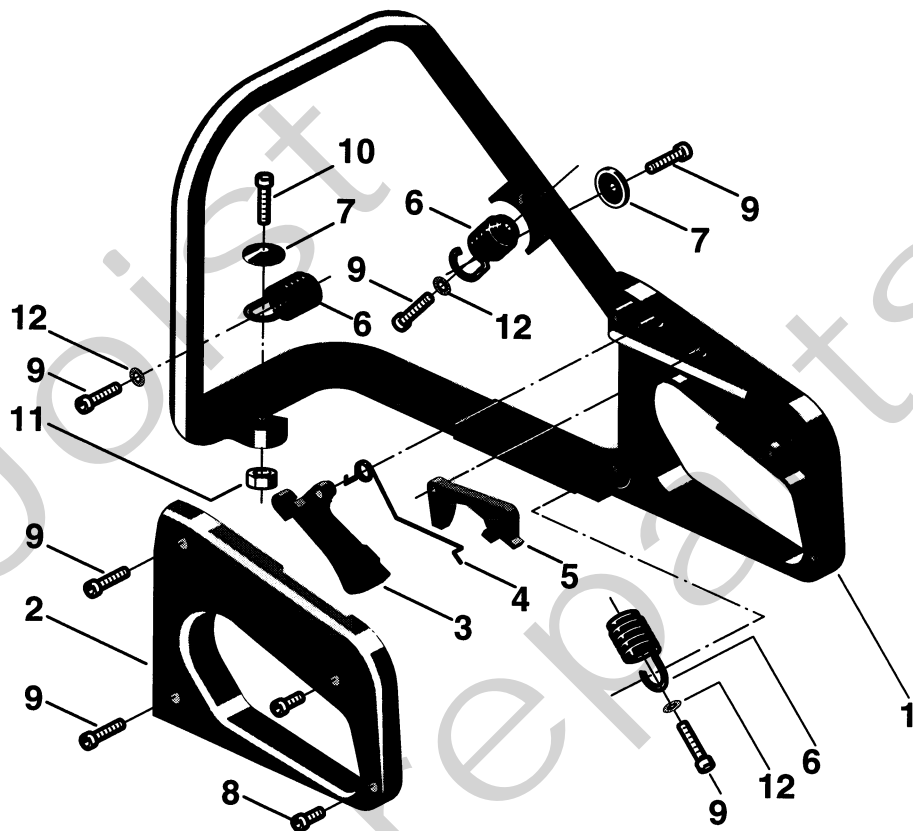
Joist  
Spareparts  
Joist



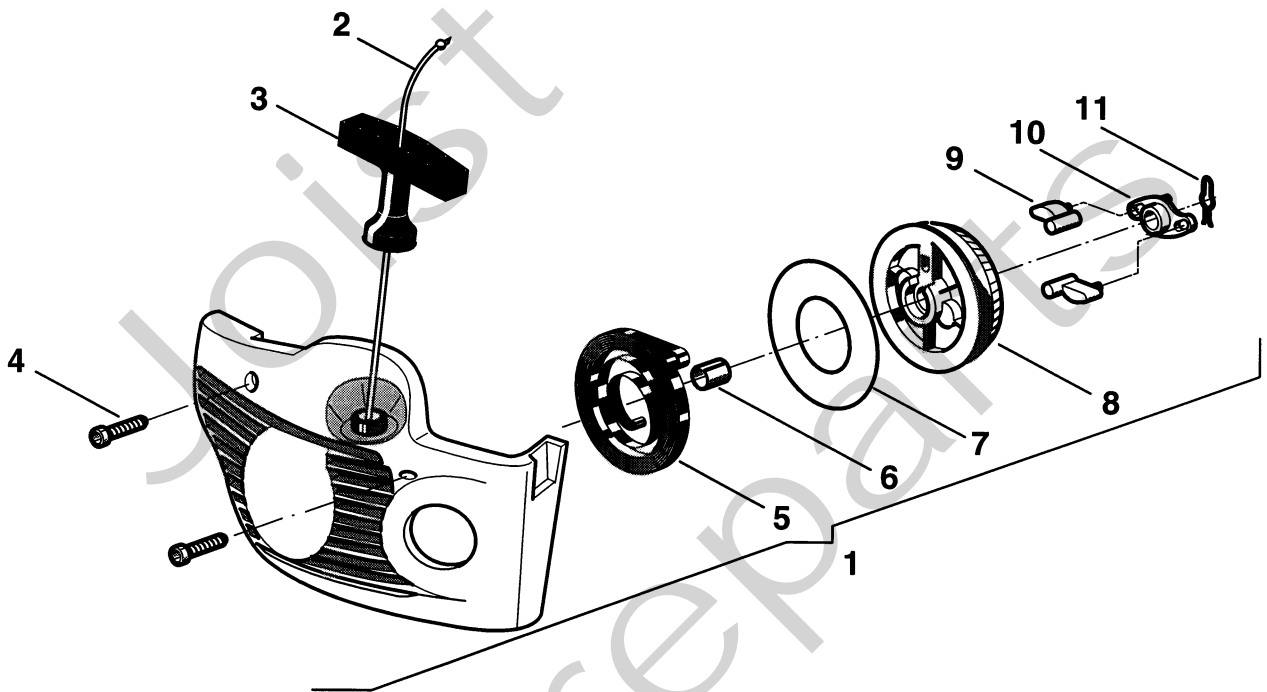
Utgåva Issue		Bildnr Picture No		SP 370- SP 410 VEVHUS		SP 370- SP 410 CRANKCASE		Sida Page	
2003- 21		1362						24	
Pos. Fig.	Antal/Quantity			Art nr Part No	Benämning	Description	Sats Kit	Anmärkning Notes	
	4113	4114							
X	1	1	1	1911- 3583- 01	Vevhus.....	Crankcase .....			
	2	1	1	1911- 3550- 01	Tanklock .....	Tank cap .....			
	3	1	1	1911- 3550- 01	Tanklock .....	Tank cap .....			
	4	1	1	1911- 3539- 01	Oljepump .....	Oil pump .....		D = 8 mm	
	4	1	1	1911- 3860- 01	Oljepump .....	Oil pump .....		D = 9 mm	
	5	1	1	1911- 3462- 01	Distans .....	Spacer .....			
	6	2	2	1911- 3247- 01	Skruv .....	Screw .....			
	7	1	1	1911- 3368- 01	Hållare .....	Retainer .....			
	8	1	1	1911- 3230- 01	Svärd .....	Bar .....		13" (0.325"x0.050)	
	8	1	1	1911- 3231- 01	Svärd .....	Bar .....		16" (0.325"x0.050)	
	9	1	1	1911- 3295- 01	Kedjespännskruv .....	Chain tension screw .....			
	10	1	1	1911- 3242- 01	Skruv .....	Screw .....			
	11	1	1	1911- 3387- 01	Kedjespännare .....	Chain tensioner .....			
	12	1	1	1911- 3445- 01	Lock- oljetillförsel .....	Cap- oil supply .....			
	13	1	1	1911- 3369- 01	Förstärkning .....	Reinforcement .....			
	14	1	1	1911- 3563- 01	Oljeslang .....	Tube .....			
	15	1	1	1911- 3365- 01	Svärdplatta .....	Bar plate .....			
	16	1	1	1911- 3238- 01	Kedja (56E) .....	Chain (56E) .....		95VP (0.325")	
	16	1	1	1911- 3239- 01	Kedja (64E) .....	Chain (64E) .....		95VP (0.325")	
	17	1	1	1911- 3547- 01	Kopplingshus .....	Clutch housing .....			
	18	1	1	1911- 3505- 01	Bränsleledning .....	Fuel line .....			
	19	1	1	1911- 3150- 01	Bränslefilter .....	Intake filter .....			
	20	1	1	1911- 3296- 01	Mutter .....	Nut .....			
	21	1	1	1911- 3369- 01	Förstärkning .....	Reinforcement .....			
	22	1	1	1911- 3560- 01	Andningsventil .....	Breather valve .....			
	23	1	1	1911- 3249- 01	Skruv .....	Screw .....			
X	24	1	1	1911- 3856- 01	Spikjärn .....	Spike .....			
	25	1	1	1911- 3002- 01	Skruv .....	Screw .....			
	26	1	1	1911- 3519- 01	Kedjeskydd .....	Chain cover .....		13"	
	26	1	1	1911- 3520- 01	Kedjeskydd .....	Chain cover .....		16"	
	27	1	1	1911- 3557- 01	Tbh- påse .....	Accessory bag .....			
	28	1	1	8215- 3204- 01	Bruksanvisning .....	Owner's manual .....			



Utgåva Issue		Bildnr Picture No		SP 370- SP 410 LUFTFILTER KEDJEBROMS		SP 370- SP 410 AIR FILTER CHAIN BRAKE		Sida Page	
2003- 21		1363						26	
Pos. Fig.	Antal/Quantity			Art nr Part No	Benämning	Description	Sats Kit	Anmärkning Notes	
	4113	4114							
1	1	1		1911- 3364- 01	Bromsband .....	Brake band .....			
2	1	1		1911- 3269- 01	Bricka .....	Washer .....			
3	1	1		1911- 3249- 01	Skruv .....	Screw .....			
4	1	1		1911- 3540- 01	Kedjebromsarm .....	Chain brake lever .....			
5	1	1		1911- 3310- 01	Pinne .....	Pin .....			
6	1	1		1911- 3366- 01	Fjäder .....	Spring .....			
7	1	1		1911- 3482- 01	Bromskåpa .....	Brake cover .....			
8	2	2		1911- 3002- 01	Skruv .....	Screw .....			
9	1	1		1911- 3415- 01	Fjäder .....	Spring .....			
10	1	1		1911- 3361- 01	Bromsplåt .....	Brake plate .....			
11	1	1		1911- 3311- 01	Pinne .....	Pin .....			
12	1	1		1911- 3358- 01	Bussning .....	Bushing .....			
14	3	3		1911- 3001- 01	Skruv .....	Screw .....			
15	1	1		1911- 3549- 01	Cylinderkåpa .....	Cylinder cover .....			
16	1	1		1911- 3579- 01	Handskydd .....	Hand guard .....			
17	1	1		1911- 3618- 01	Luftfilter .....	Air filter .....			
19	1	1		1911- 3491- 01	Primerknapp .....	Air purge cap button .....			
20	1	1		1911- 3416- 01	Fjäder .....	Spring .....			
21	1	1		1911- 3490- 01	Primerhandtag .....	Air purge button .....			



Utgåva Issue		Bildnr Picture No		SP 370- SP 410 HANDTAG		SP 370- SP 410 HANDLE		Sida Page	
2003- 21		1358						28	
Pos. Fig.	Antal/Quantity			Art nr Part No	Benämning	Description	Sats Kit	Anmärkning Notes	
	4113	4114							
1	1	1		1911- 3577- 01	Handtag .....	Handle.....			
2	1	1		1911- 3578- 01	Handtagskåpa.....	Handle cover.....			
3	1	1		1911- 3453- 01	Gasreglage.....	Throttle lever.....			
4	1	1		1911- 3417- 01	Fjäder.....	Spring.....			
5	1	1		1911- 3454- 01	Säkerhetsspärr .....	Safety lever .....			
6	3	3		1911- 3414- 01	Fjäder.....	Spring.....			
7	2	2		1911- 3367- 01	Bricka .....	Washer.....			
8	3	3		1911- 3002- 01	Skruv .....	Screw.....			
9	6	6		1911- 3248- 01	Skruv .....	Screw.....			
10	1	1		1911- 3007- 01	Skruv .....	Screw.....			
11	1	1		1911- 3022- 01	Mutter.....	Nut.....			
12	3	3		1911- 3015- 01	Bricka .....	Washer.....			



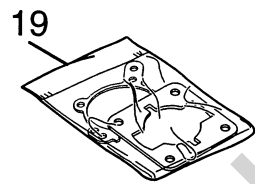
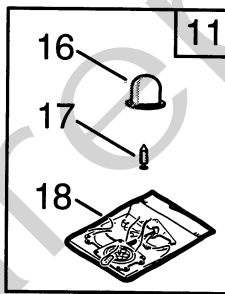
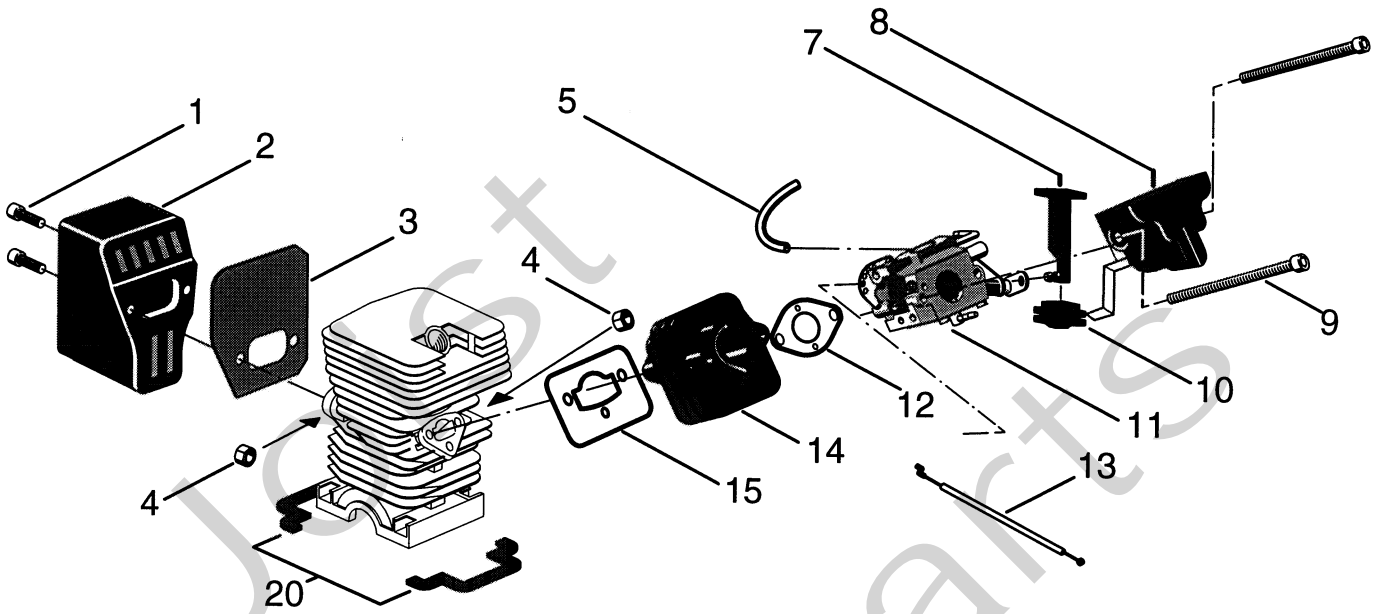


Utgåva Issue		Bildnr Picture No		SP 370- SP 410 START		SP 370- SP 410 STARTER		Sida Page	
2003- 21		1364						30	
Pos. Fig.	Antal/Quantity			Art nr Part No	Benämning	Description	Sats Kit	Anmärkning Notes	
	4113	4114							
1	1	1		1911- 3548- 01	Start kpl.....	Starter assy.....		Inkl. pos 2 - 11	
2	1	1		1911- 3130- 01	• Startsnöre.....	• Starter cord.....			
3	1	1		1911- 3479- 01	• Starthandtag.....	• Starter handle.....			
4	3	3		1911- 3001- 01	• Skruv.....	• Screw.....			
5	1	1		1911- 3176- 01	• Startfjäder.....	• Starter spring.....			
6	1	1		1911- 3372- 01	• Bussning.....	• Bushing.....			
7	1	1		1911- 3096- 01	• Skiva.....	• Disc.....			
8	1	1		1911- 3483- 01	• Linhjul.....	• Starter pulley.....			
9	2	2		1911- 3480- 01	• Startspärr.....	• Starter hook.....			
10	1	1		1911- 3484- 01	• Fäste- startspärr.....	• Guide- starter hook.....			
11	1	1		1911- 3423- 01	• Hållare.....	• Retainer.....			



Utgåva Issue		Bildnr Picture No		SP 370- SP 410 CYLINDER VEVAXEL		SP 370- SP 410 CYLINDER CRANKSHAFT		Sida Page	
2003-21		1360A						32	
Pos. Fig.	Antal/Quantity			Art nr Part No	Benämning	Description	Sats Kit	Anmärkning Notes	
	4113	4114							
1	1	1		1911-3280-01	Mutter.....	Nut.....			
2	1	1		1911-3268-01	Bricka.....	Washer.....			
3	1	1		1911-3567-01	Svånghjul.....	Flywheel.....			
4	1	1		1911-3048-01	Svånghjulskil.....	Flywheel key.....			
5a	1	1		1911-3301-01	Tätningring.....	Seal ring.....			
5b	1	1		1911-3302-01	Tätningring.....	Seal ring.....			
6	2	2		1911-3297-01	Kullager.....	Ball bearing.....			
7	2	2		1911-3072-01	Bricka.....	Washer.....			
8	1	1		1911-3532-01	Vevaxel kpl.....	Crankshaft assy.....		Inkl. pos 19	
9	1	1		1911-3488-01	Dammskydd.....	Dust guard.....			
10	1	1		1911-3538-01	Koppling.....	Clutch.....			
11	1	1		1911-3041-01	Nållager.....	Needle bearing.....			
12	1	1		1911-3514-01	Drev.....	Sprocket.....		0.325"	
13	1	1		1911-3338-01	Drevbricka.....	Sprocket washer.....			
14	1	1		1911-3330-01	Låsring.....	Circlip.....			
15	2	2		1911-3069-01	.. Låsring.....	.. Lock ring.....			
18	1	1		1911-3051-01	.. Kolvbult.....	.. Piston pin.....			
19	1	1		1911-3042-01	• Nållager.....	• Needle bearing.....			
20	4	4		1911-3006-01	Skruv.....	Screw.....			
21	4	4		1911-3274-01	Bricka.....	Washer.....			
22	1	1		1911-3304-01	.. Kolvring.....	.. Piston ring.....			
23	1	1		1911-3861-01	• Kolv kpl.....	• Piston assy.....		Inkl. pos 15, 18, 22	
24	1	1		1911-3597-01	Cylinder- kolv kpl.....	Cylinder- piston assy.....		Inkl. pos 23	
25	1	1		9400-0258-00	Tändstift.....	Spark plug.....		Champion CJ7Y	
26	1	1		1911-3546-01	Tändstiftshatt.....	Spark plug cover.....			
27	1	1		1911-3421-01	Fjäder.....	Spring.....			
28	1	1		1911-3434-01	Skydd.....	Protection.....			
29	1	1		1911-3053-01	Stoppkontakt.....	Stop switch.....			
30	4	4		1911-3022-01	Mutter.....	Nut.....			
32	1	1		1911-3321-01	Jordkabel.....	Ground cable.....			
33	1	1		1911-3320-01	Elektronikspole.....	Electronic coil.....			
34	1	1		1911-3418-01	Fjäder.....	Spring.....			
35	2	2		1911-3017-01	Bricka.....	Washer.....			
36	2	2		1911-3251-01	Skruv.....	Screw.....			
37	1	1		1911-3247-01	Skruv.....	Screw.....			

X



Utgåva Issue		Bildnr Picture No		SP 370- SP 410 FÖRGASARE		SP 370- SP 410 CARBURETTOR		Sida Page	
2003-21		1361						34	
Pos. Fig.	Antal/Quantity			Art nr Part No	Benämning	Description	Sats Kit	Anmärkning Notes	
	4113	4114							
1	2	2		1911-3007-01	Skruv .....	Screw .....			
2	1	1		1911-3513-01	Ljuddämpare .....	Muffler .....			
3	1	1		1911-3442-01	• Packning .....	• Gasket .....			
4	2	2		1911-3022-01	Mutter .....	Nut .....			
5	1	1		1911-3506-01	Bränsleledning .....	Fuel line .....			
7	1	1		1911-3455-01	Chokearm .....	Choke lever .....			
8	1	1		1911-3564-01	Luftkolektor .....	Air intake manifold .....			
9	2	2		1911-3264-01	Skruv .....	Screw .....			
10	1	1		1911-3465-01	Gummihylsa .....	Grommet .....			
11	1	1		1911-3562-01	Förgasare kpl .....	Carburettor assy .....		Walbro WT534	
12	1	1		1911-3440-01	• Packning .....	• Gasket .....			
13	1	1		1911-3545-01	Gaswire m.hölje .....	Throttle cable w.sh .....			
14	1	1		1911-3485-01	Insugningsrör .....	Intake manifold .....			
15	1	1		1911-3444-01	• Packning .....	• Gasket .....			
16	1	1		1911-3460-01	• Primerpump .....	• Primer pump .....			
17	1	1		1911-3381-01	• Nålventil .....	• Inlet needle .....			
18	1	1		1911-3613-01	• Membran- packningssats .....	• Diaphragm- gasket set .....			
19	1	1		1911-3615-01	Packningssats .....	Gasket set .....		Inkl. pos 3,12,15,20	
20	2	2		1911-3435-01	• Cylinderpackning .....	• Cylinder gasket .....			