

Genuine Spare Parts

www.stiga.com

SEV 2416 Q Model Year 2012

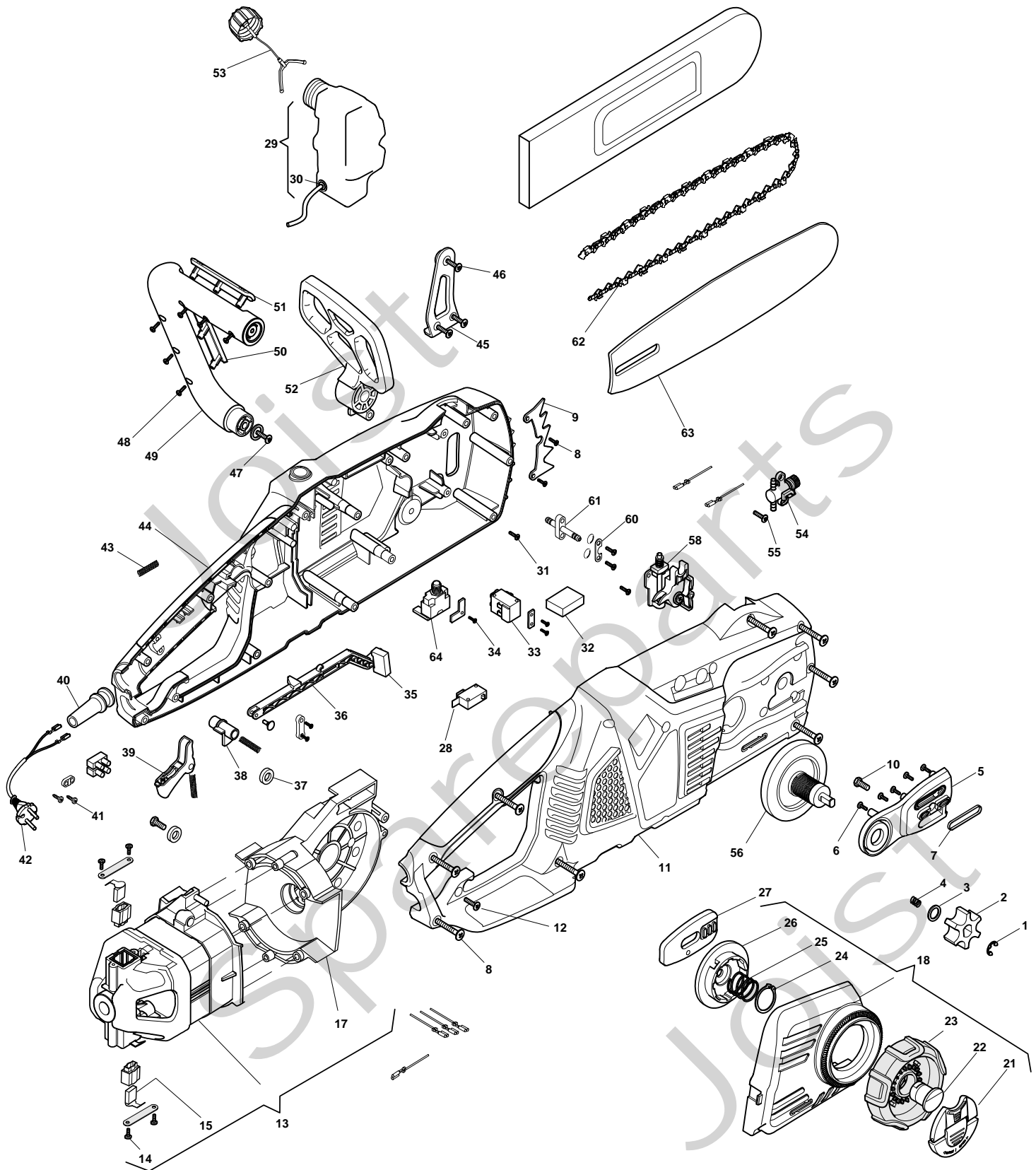
- Use GLOBAL GARDEN PRODUCT Genuine Spare Parts specified in the parts list for repair and/or replacement.
- The contents described in the parts list may change due to improvement.
- The drawings of the spare parts are only indicative and might not represent the part in question exactly.
- The indications "right" - "left" - "front" - "rear" refer to the position of the operator when using the machine.
- When placing orders of parts for repair and/or replacement, make sure that the illustrated parts list is the one applying to the machine's year of manufacture, as shown on the identification plate attached to the machine.

©Copyright by Global Garden Products

All content is subject to copyright by Global Garden Products and may not be reproduced in whole or in part by any means, electronic or otherwise, without prior written approval
THIS INFORMATION IS NOT INTENDED FOR SALE OR RESALE, AND THIS NOTICE MUST REMAIN ON ALL COPIES.

The logo for STIGA, featuring the word "STIGA" in a bold, white, sans-serif font with a registered trademark symbol (®) to the upper right. The text is set against a black rectangular background.

SEV 2416 Q



| Pos. Fig. | Antal Quantity | Art No Part No | Description | Benämning | Anmärkning Notes |
|-----------|----------------|----------------|----------------------------|---------------------------|------------------|
| 1 | 1 | 118800466/0 | E Washer | Benzing | |
| 2 | 1 | 118800791/0 | Sprocket | Drevet | |
| 3 | 1 | 118800806/0 | Seal Ring | Tätningarring | |
| 4 | 1 | 118800819/0 | Take-up Spring | Fjäder | |
| 5 | 1 | 118800823/0 | Right Chassis insert part | Sätt Start kpl hö | |
| 6 | 6 | 118800849/0 | Screw | Skruv | |
| 7 | 1 | 118800809/0 | Delivery Sort Seal Ring | Tätningarring | |
| 8 | 4 | 118800473/0 | Self-tapping Screw | Skruv | |
| 9 | 1 | 118800795/0 | buffer plate | Buffer Plate | |
| 10 | 1 | 118800803/0 | Machine Screw | Skruv | |
| 11 | 1 | 118800775/0 | Right Chassis | Start kpl hö | |
| 12 | 13 | 118800475/0 | Self-tapping Screw | Skruv | |
| 13 | 1 | 118800834/0 | Motor Set | Elmotor | |
| 14 | 4 | 118800470/0 | Self-tapping Screw | Skruv | |
| 15 | 2 | 118800828/0 | Carbon Brush | Carbon Brush | |
| 17 | 1 | 118800793/0 | shove board | Shove Board | |
| 18 | 1 | 118800839/0 | Free of tool Assembly | Free of tool Assembly | |
| 21 | 1 | 118801057/0 | Adjust lock knob | Knopp | |
| 22 | 1 | 118801058/0 | impact knob | Knopp | |
| 23 | 1 | 118801059/0 | adjust knob | Knopp | |
| 24 | 1 | 118800847/0 | impact knob spring | Fjäder | |
| 25 | 1 | 118801060/0 | impact knob spring | Fjäder | |
| 26 | 1 | 118801061/0 | twise wheel | Två Hjul | |
| 27 | 1 | 118800793/0 | shove board | Shove Board | |
| 28 | 1 | 118800784/0 | mirco switch | Switch | |
| 29 | 1 | 118800835/0 | Tank Group | Tank | |
| 30 | 1 | 118800825/0 | Tank Connection Choke Plug | Tankanslutning | |
| 31 | 1 | 118800474/0 | Self-tapping Screw | Skruv | |
| 32 | 1 | 118800829/0 | soft start | Soft Start | |
| 33 | 1 | 118800781/0 | Switch | Switch | |
| 34 | 1 | 118800477/0 | Flange Self-tapping Screw | Skruv | |
| 35 | 1 | 118800831/0 | capacitance | Kapacitans | |
| 36 | 4 | 118800785/0 | push shaft | Tryck Axel | |
| 37 | 1 | 118800790/0 | wheel | Hjul | |
| 38 | 1 | 118800813/0 | button | Knapp | |
| 39 | 1 | 118800812/0 | Switch button | Switch-knapp | |
| 40 | 1 | 118800817/0 | cable sheath | Kabel | |
| 41 | 2 | 118800473/0 | Self-tapping Screw | Skruv | |
| 42 | 1 | 118800832/0 | Power Cord Assy,CE | Kabel | |
| 42 | 1 | 118801468/0 | Power Cord Assy,UK | Kabel | |
| 43 | 1 | 118800822/0 | Spring | Fjäder | |
| 44 | 1 | 118800774/0 | Handle Assy, Yellow | Start kpl Vä | |
| 45 | 1 | 118800794/0 | Shoe Plate | Shoe Plate | |
| 46 | 3 | 118800475/0 | Self-tapping Screw | Skruv | |
| 47 | 1 | 118800475/0 | Self-tapping Screw | Skruv | |
| 48 | 6 | 118800471/0 | Self-tapping Screw | Skruv | |
| 49 | 1 | 118800769/0 | Front handle | Främre Handtag | |
| 50 | 1 | 118800771/0 | Front handle cover 1 | Främre Handtag | |
| 51 | 1 | 118800772/0 | Front handle cover 2 | Främre Handtag | |
| 52 | 1 | 118801062/0 | Self-tapping | Självgående | |
| 53 | 1 | 118800836/0 | Tank Lid Group | Oljelocket | |
| 54 | 1 | 118800845/0 | Oil Pump Group | Oljepump | |
| 55 | 2 | 118800477/0 | Flange Self-tapping Screw | Skruv | |
| 56 | 1 | 118800837/0 | Output shaft Group | Utgående axel | |
| 58 | 1 | 118800838/0 | brake level groupware | Bromshandtaget | |
| 60 | 1 | 118800797/0 | Board | Styrelsen | |
| 61 | 1 | 118800810/0 | Tank Export Connection | Tank Exportera Anslutning | |
| 62 | 1 | 4113765 | Chain | Kedja | |
| 63 | 1 | 123900368/0 | Guide Bar 16" | Svärd | |
| 64 | 1 | 118801467/0 | Overloading protector | Overloading protector | |