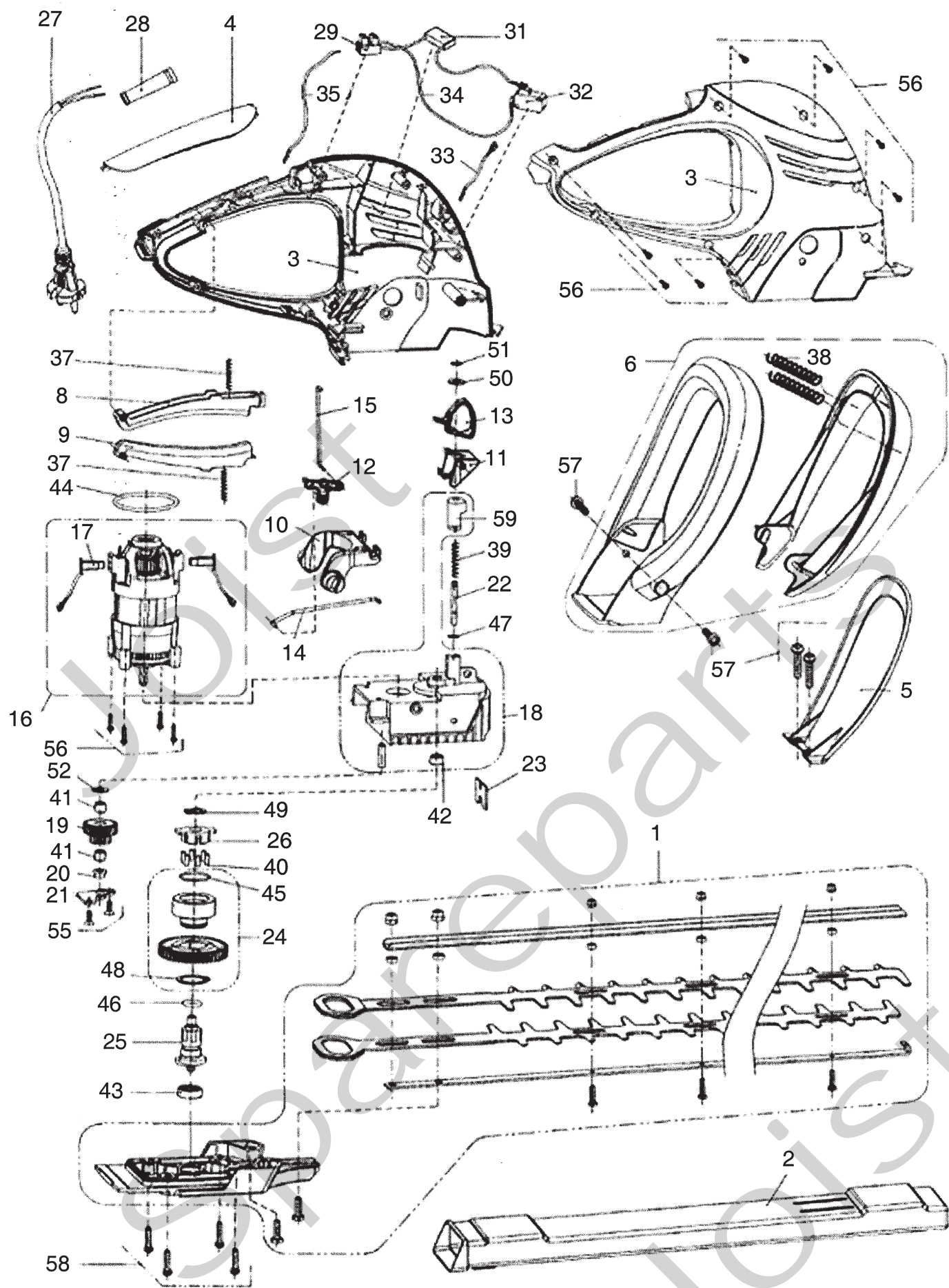


Genuine Spare Parts



Joist
Spareparts
Joist



Utgåva Issue		Bildnr Picture No		SH 60 HÄCKSAX	SH 60 HEDGE CUTTER	Sida Page		
2005-12		1957				310		
Pos. Fig.	Antal/Quantity			Art nr Part No	Benämning	Description	Sats Kit	Anmärkning Notes
	5122							
X	1	1		1911-1615-01	Kniv kpl.....	Blade assy.....		
	2	1		1911-1519-01	Knivskydd.....	Blade cover.....		
	3	1		1911-1598-01	Hus.....	Housing.....		
	4	1		1911-1508-01	Lock.....	Grip cover.....		
	5	1		1911-1517-01	Handskydd.....	Hand cover.....		
	6	1		1911-1594-01	Handtag kpl.....	Handle assy.....		Inkl. pos 38
	8	1		1911-1511-01	Kabelkanal.....	Cable grommet.....		
	9	1		1911-1512-01	Kabelkanal.....	Cable grommet.....		
	10	1		1911-1514-01	Brytarelement.....	Switch element.....		
	11	1		1911-1515-01	Insats.....	Insert.....		
	12	1		1911-1516-01	Vridarm.....	Turn lever.....		
	13	1		1911-1518-01	Vipparm.....	Rocker switch.....		
	14	1		1911-1537-01	Länk.....	Link.....		
	15	1		1911-1538-01	Länk.....	Link.....		
X	16	1		1911-1616-01	Elmotor.....	Electric motor.....		Inkl. pos 17
X	17	2		1911-1617-01	• Kol.....	• Carbon brush.....		
	18	1		1911-1564-01	Växelhus kpl.....	Gear housing cpl.....		Inkl. pos 42, 59
	19	1		1911-1565-01	Drev.....	Gear set.....		
	20	1		1911-1557-01	Distans.....	Liner.....		
	21	1		1911-1556-01	Lagerfäste.....	Bearing bracket.....		
	22	1		1911-1539-01	Kopplingsstift.....	Clutch pin.....		
	23	1		1911-1532-01	Filtätning.....	Felt seal.....		
	24	1		1911-1543-01	Överbelastningsskydd.....	Overload device.....		Inkl. pos 45, 48
X	25	1		1911-1618-01	Excenteraxel.....	Excenter shaft.....		
	26	1		1911-1555-01	Kopplingshus.....	Clutch cage.....		
	27	1		1911-1488-01	Anslutningskabel.....	Cable w. plug.....		
	28	1		1911-1066-01	Gummihylsa.....	Grommet.....		
	29	1		1911-1104-01	Kopplingsbit.....	Cable connection.....		
	31	1		1911-1525-01	Kondensator.....	Condensator.....		
	32	1		1911-1524-01	Brytare.....	Inside switch.....		
X	33	1		1911-1619-01	Kabel.....	Cable.....		
	34	1		1911-1523-01	Kabel.....	Cable.....		
	35	1		1911-1526-01	Kabel.....	Cable.....		
	37	2		1911-1083-01	Fjäder.....	Spring.....		
	38	2		1911-1551-01	• Tryckfjäder.....	• Pressure spring.....		
	39	1		1911-1530-01	Tryckfjäder.....	Pressure spring.....		
	40	6		1911-1531-01	Kopplingskon.....	Pitch cone.....		
	41	2		1911-1548-01	Nållager.....	Needle bush.....		
	42	1		1911-1546-01	• Nållager.....	• Needle bush.....		
	43	1		1911-1554-01	Kullager.....	Ball bearing.....		
	44	1		1911-1520-01	O-ring.....	O-ring.....		
	45	1		1911-1521-01	• O-ring.....	• O-ring.....		
	46	1		1911-1522-01	O-ring.....	O-ring.....		
	47	1		1911-1528-01	Bricka.....	Thrust washer.....		
	48	1		1911-1489-01	• Axelring.....	• Shaft ring.....		
	49	1		1911-1549-01	Ring.....	Round wire ring.....		
X	50	1		1911-1620-01	Bricka.....	Washer.....		
	51	1		1911-1567-01	Bricka.....	Washer.....		
	52	1		1911-1550-01	Bricka.....	Washer.....		
	55	2		1911-1552-01	Skruv.....	Screw.....		
	56	11		1911-1105-01	Skruv.....	Screw.....		
	57	4		1911-1534-01	Skruv.....	Screw.....		
	58	4		1911-1533-01	Skruv.....	Screw.....		
X	59	1		1911-1621-01	• Brytarearm.....	• Switch lever.....		