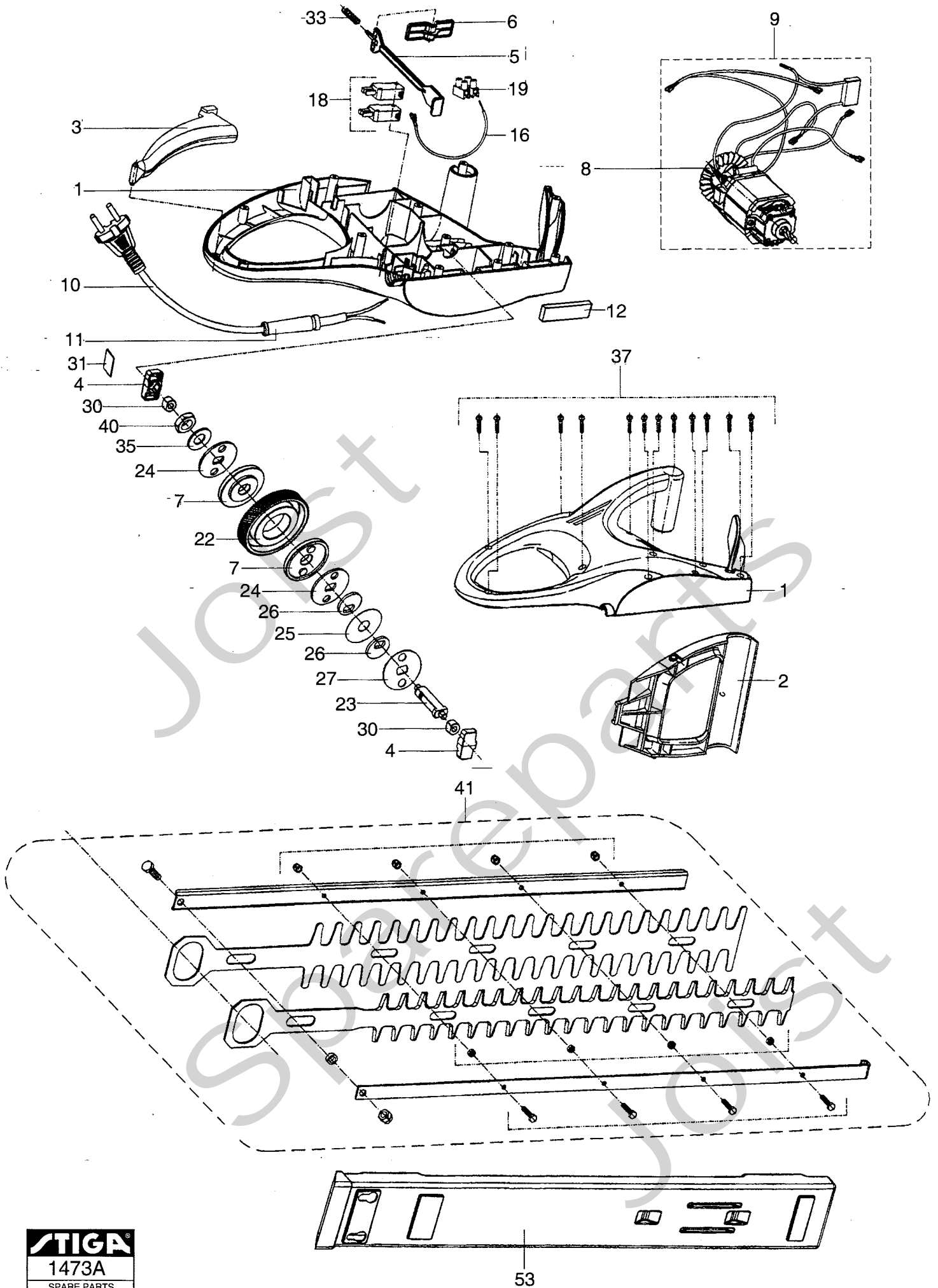


# Genuine Spare Parts

---



Joist  
Spareparts  
Joist



Utgåva Issue		Bildnr Picture No		SH 46 HÄCKSAX		SH 46 HEDGE CUTTER		Sida Page	
2004-12		1473A						288	
Pos. Fig.	Antal/Quantity			Art nr Part No	Benämning	Description	Sats Kit	Anmärkning Notes	
	5110								
1	1			1911-1586-01	Hus.....	Housing .....			
2	1			1911-1582-01	Brytarhandtag.....	Handle lever .....			
3	1			1911-1583-01	Brytararm .....	Switch lever .....			
4	2			1911-1587-01	Lagerfäste.....	Bearing adapter .....			
5	1			1911-1584-01	Brytarlänk.....	Switch slide.....			
6	1			1911-1585-01	Brytarvagga .....	Rocker switch .....			
7	2			1911-1074-01	Isolerbricka.....	Isolation washer.....			
8	1			1911-1073-01	Fläkt.....	Fan .....			
9	1			1911-1593-01	Motor m.kondensator.....	Motor w.condensor.....			
10	1			1911-1068-01	Anslutningskabel.....	Connection cable.....			
11	1			1911-1066-01	Gummihylsa .....	Grommet.....			
X 12	1			1911-1596-01	Tätning .....	Seal.....			
16	1			1911-1502-01	Kabel .....	Cable .....			
18	2			1911-1487-01	Brytare.....	Snap switch .....			
19	1			1911-1104-01	Kopplingsbit .....	Cable connection.....			
22	1			1911-1087-01	Kugghjul .....	Gear wheel .....			
23	1			1911-1086-01	Axel .....	Shaft .....			
24	2			1911-1088-01	Medbringarbricka .....	Carrier washer.....			
25	1			1911-1089-01	Skiljebricka .....	Separate washer .....			
26	2			1911-1092-01	Excenterbricka .....	Eccentric washer.....			
27	1			1911-1091-01	Avslutsbricka .....	End washer .....			
30	2			1911-1082-01	Lagerbussning.....	Bearing bush.....			
31	1			1911-1099-01	Stöbbleck.....	Support blade .....			
33	2			1911-1083-01	Fjäder.....	Spring .....			
35	1			1911-1081-01	Tallriksfjäder .....	Disc spring.....			
37	12			1911-1105-01	Skruv .....	Screw .....			
40	1			1911-1080-01	Mutter.....	Nut .....			
41	1			1911-1592-01	Kniv kpl.....	Blade system assy .....			
53	1			1911-1581-01	Knivskydd.....	Blade cover .....			