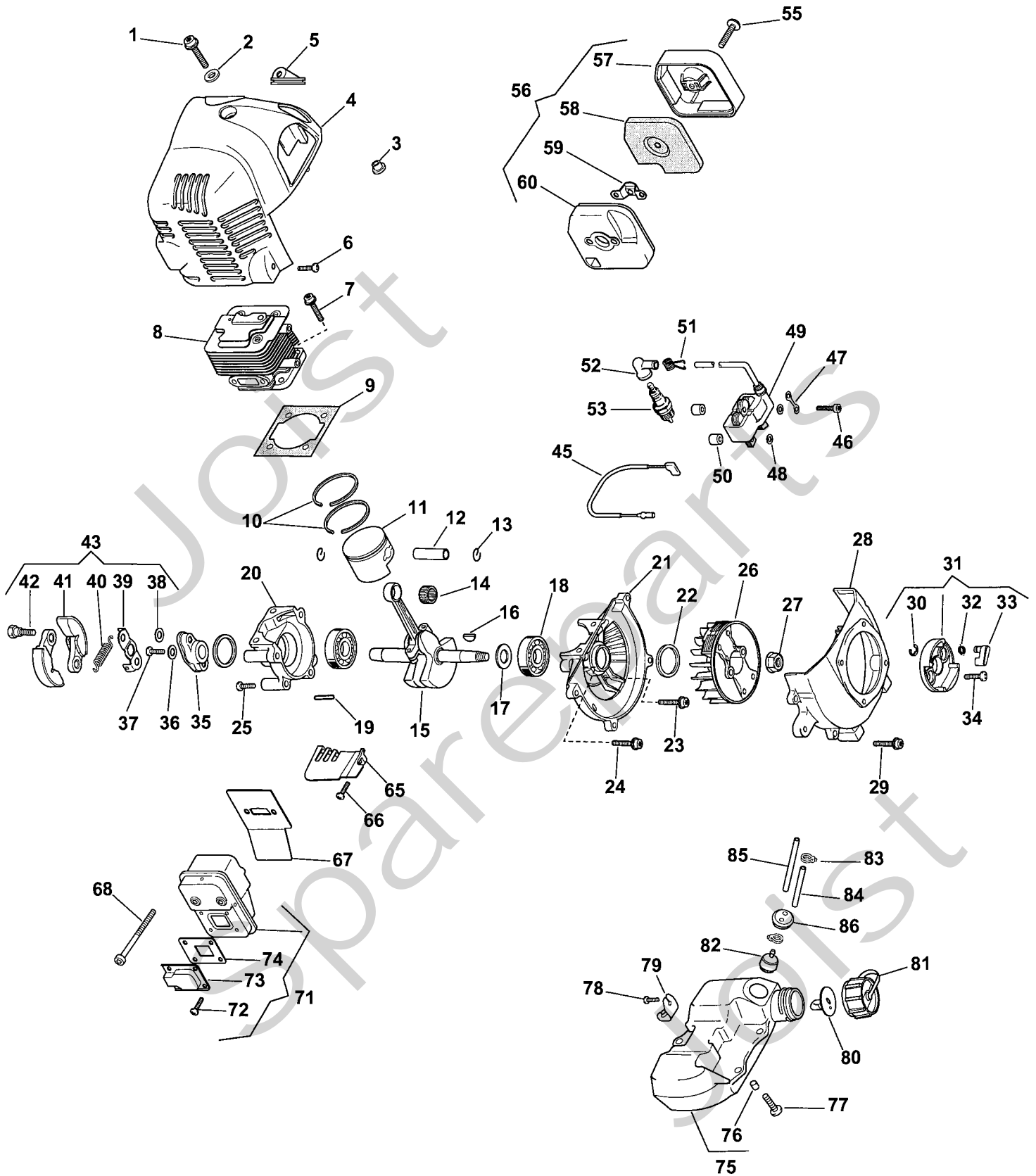


Genuine Spare Parts

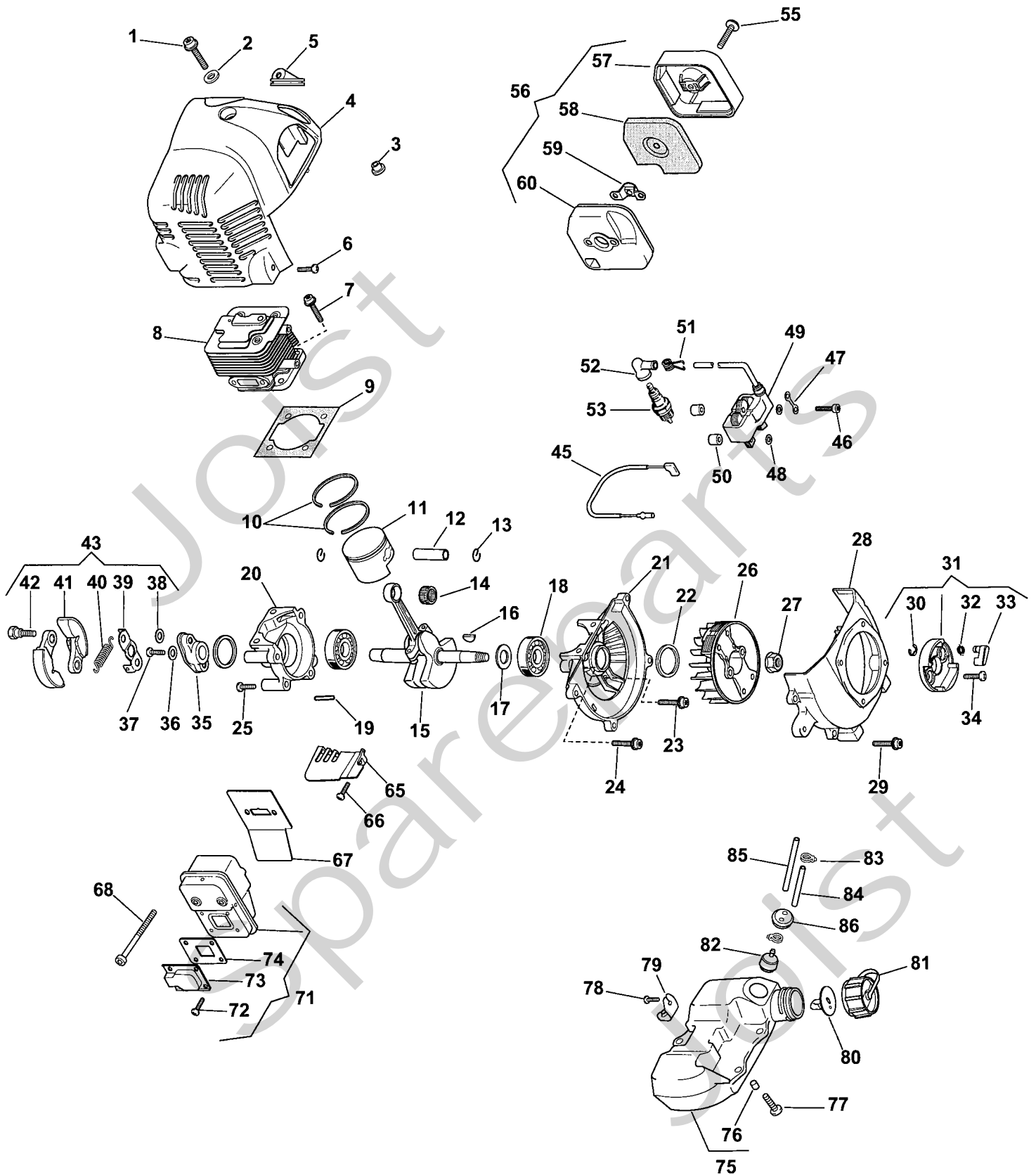


Joist
Spareparts
Joist

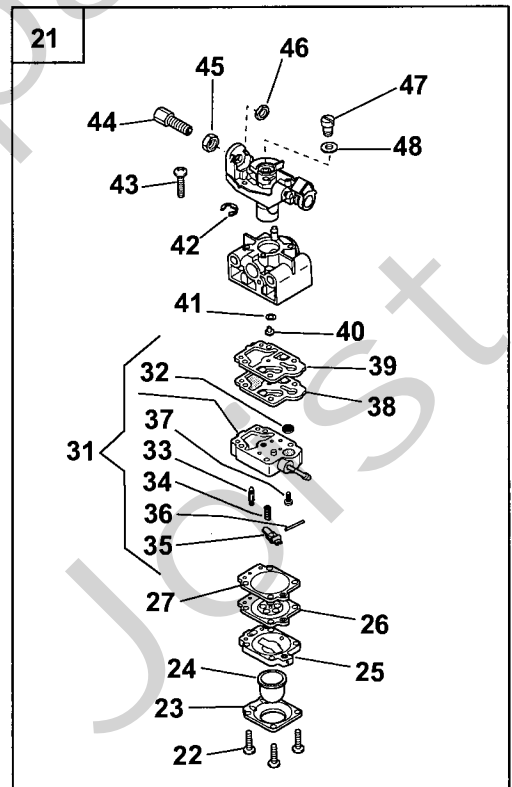
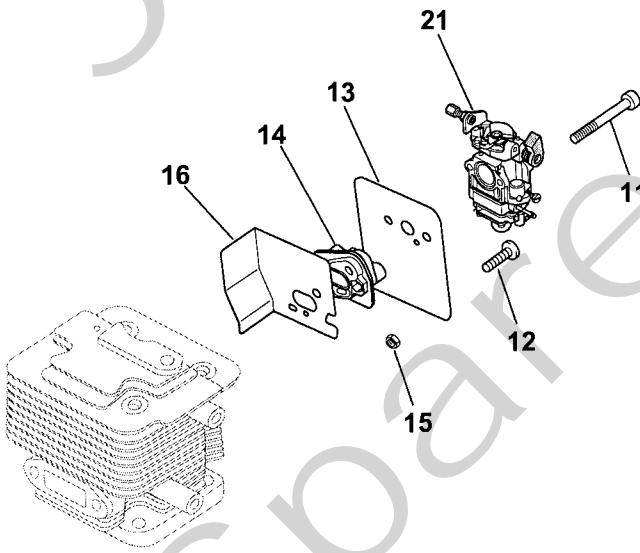
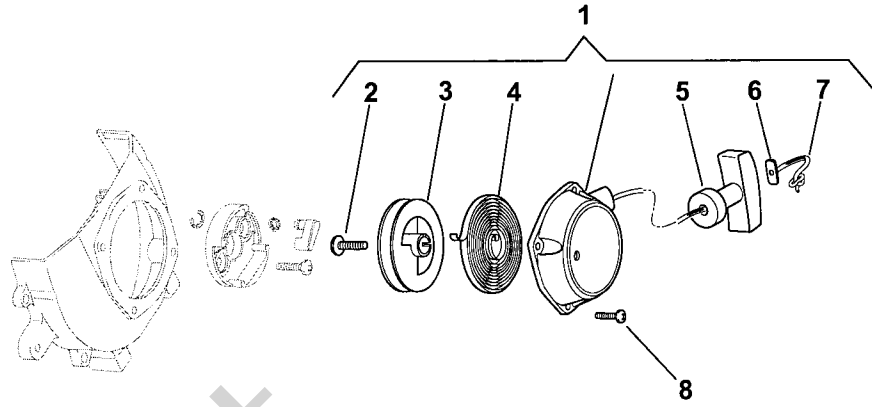


Utgåva Issue 2006-12	Bildnr Picture No 2156	SH 170K-SH 180K HÄCKSAX MOTOR	SH 170K-SH 180K HEDGE TRIMMER ENGINE	Sida Page 334
----------------------------	------------------------------	-------------------------------------	--	---------------------

Pos. Fig.	Antal/Quantity			Art nr Part No	Benämning	Description	Sats Kit	Anmärkning Notes
	5123	5124	-11					
X 1	1			6990081	Skruv	Screw		
X 2	1			6990118	Bricka	Washer		
X 3	1			6990031	Bussning	Bushing		
X 4	1			6990058	Motorkåpa- gul	Engine cover- yellow		
X 5	1			6990103	Klämma	Lip clamp		
X 6	1			6990112	Skruv	Screw		
X 7	4			6990070	Skruv	Screw		
X 8	1			6990001	Cylinder	Cylinder		
X 9	1			6990006	Packning	Gasket		
X 10	1			6990015	Kolvringssats	Piston ring set		
X 11	1			6990013	Kolv	Piston		
X 12	1			6990014	Kolvbult	Piston pin		
X 13	2			6990093	Låsring	Lock ring		
X 14	1			6990016	Nållager	Needle bearing		
X 15	1			6990061	Vevaxel	Crankshaft		
X 16	1			6990064	Kil	Key		
X 17	0-4			6990088	Bricka	Washer		T = 0.20
X 17	0-4			6990089	Bricka	Washer		T = 0.40
X 17	0-4			6990090	Bricka	Washer		T = 0.60
X 18	2			6990097	Kullager	Ball bearing		
X 19	2			6990094	Centerstift	Centering pin		
X 20	1			6990022	Vevhus	Crankcase		
X 21	1			6990021	Vevhus	Crankcase		
X 22	2			6990098	Tätningssring	Seal ring		
X 23	1			6990073	Skruv	Screw		
X 24	2			6990072	Skruv	Screw		
X 25	4			6990043	Skruv	Screw		
X 26	1			6990037	Svånghjul	Flywheel		
X 27	1			6990120	Mutter	Nut		
X 28	1			6990065	Kåpa- gul	Case- yellow		
X 29	4			6990082	Skruv	Screw		
X 30	1			6990091	• Låsring	• Lock ring		
X 31	1			6990056	Startkopp	Starter cup		Inkl. pos 30 - 33
X 32	1			6990105	• Fjäder	• Spring		
X 33	1			6990018	• Startspärr	• Starter pawl		
X 34	2			6990044	Skruv	Screw		
X 35	1			6990054	Ledplåt	Guide plate		
X 36	1			6990087	Bricka	Washer		
X 37	1			6990045	Skruv	Screw		
X 38	2			6990116	• Bricka	• Washer		
X 39	1			6990020	• Platta	• Plate		
X 40	1			6990107	• Fjäder	• Spring		
X 41	2			6990053	• Kopplingssko	• Clutch shoe		
X 42	2			6990095	• Skruv	• Screw		
X 43	1			6990017	Koppling kpl	Clutch assy		Inkl. pos 38 - 42
X 45	1			6990046	Jordkabel	Earth cable		
X 46	2			6990110	Skruv	Screw		
X 47	1			6990041	Klämma	Clamp		
X 48	2			6990033	Bricka	Washer		
X 49	1			6990042	Elektronikspole	Electronic coil		
X 50	2			6990032	Isolator	Isolator		
X 51	1			6990040	Tändstiftsfjäder	Spark plug spring		
X 52	1			6990039	Tändstiftshatt	Spark plug cap		
X 53	1			6990101	Tändstift	Spark plug		
X 55	1			6990113	Skruv	Screw		
X 56	1			6990002	Luftfilter kpl	Air cleaner assy		Inkl. pos 57 - 60
X 57	1			6990012	• Luftfilterlock	• Air cleaner cover		
X 58	1			6990004	• Filterelement	• Filter element		
X 59	1			6990036	• Platta	• Steam		
X 60	1			6990003	• Luftfilterhus	• Air cleaner base		
X 65	1			6990025	Ljuddämparskydd	Muffler shield		
X 66	1			6990080	Skruv	Screw		
X 67	1			6990008	Packning	Gasket		

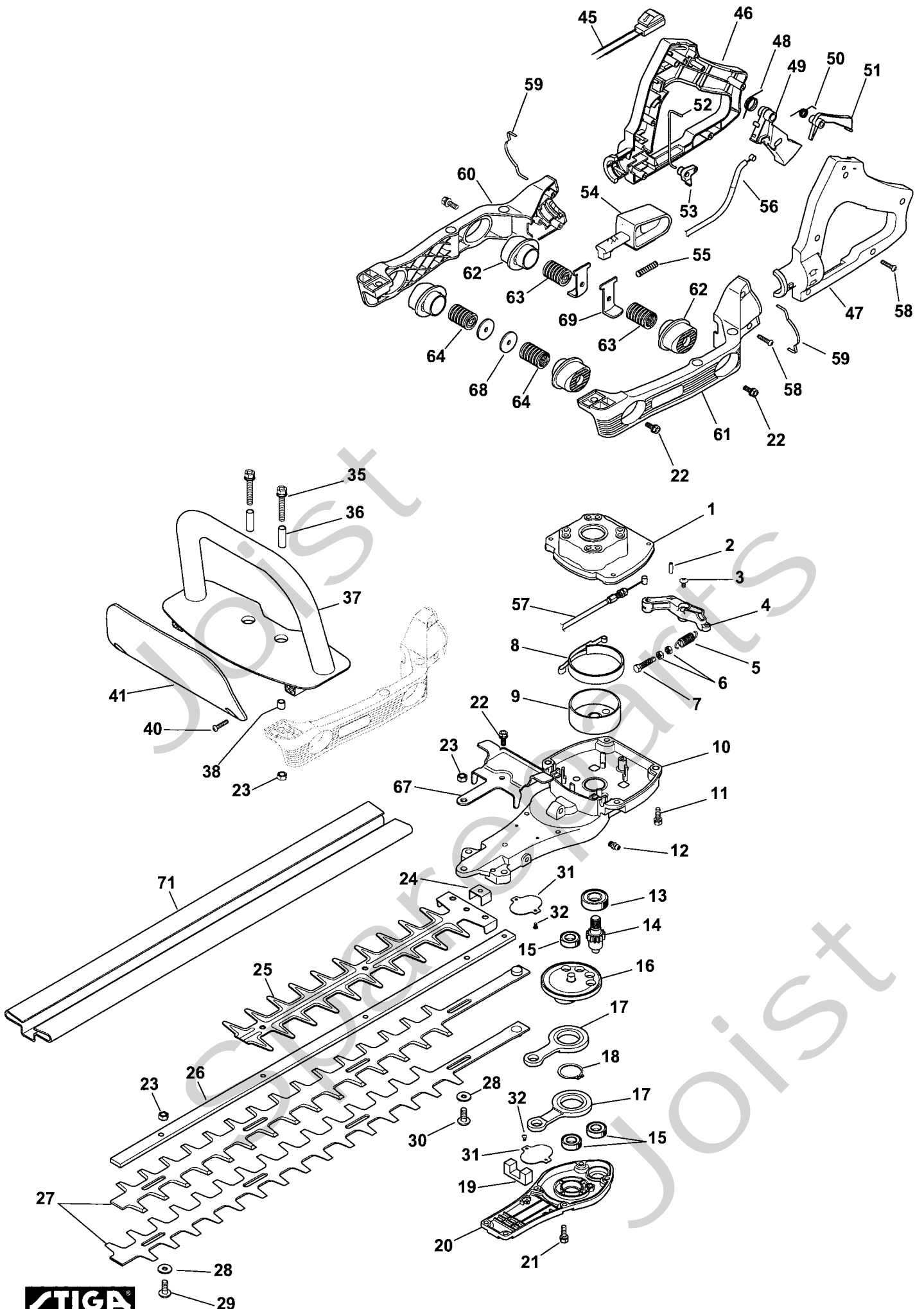


Utgåva Issue		Bildnr Picture No		SH 170K- SH 180K HÄCKSAX MOTOR		SH 170K- SH 180K HEDGE TRIMMER ENGINE		Sida Page	
2006- 12		2156						336	
Pos. Fig.	Antal/Quantity			Art nr Part No	Benämning	Description	Sats Kit	Anmärkning Notes	
	5123	5124	-11						
X 68	2			6990109	Skruv	Screw			
X 71	1			6990055	Ljuddämpare	Muffler		Inkl. pos 72 - 74	
X 72	4			6990084	• Skruv	• Screw			
X 73	1			6990069	• Deflektor	• Deflector			
X 74	1			6990011	• Packning	• Gasket			
X 75	1			6990062	Bränsletank	Fuel tank		Inkl. pos 76	
X 76	3			6990106	• Bussning	• Bushing			
X 77	3			6990078	Skruv	Screw			
X 78	1			6990071	Skruv	Screw			
X 79	1			6990047	Fäste	Support			
X 80	1			6990060	Ventil	Breather valve			
X 81	1			6990063	Tanklock	Fuel tank cap			
X 82	1			6990051	Bränslefilter	Intake filter			
X 83	2			6990111	Slangklämma	Hose clamp			
X 84	1			6990114	Bränsleslang- in	Fuel hose- intake			
X 85	1			6990115	Bränsleslang- retur	Fuel hose- return			
X 86	1			6990102	Gummihylsa	Rubber grommet			



Utgåva Issue 2006-12	Bildnr Picture No 2157	SH 170K- SH 180K HÄCKSAX FÖRGASARE	SH 170K- SH 180K HEDGE TRIMMER CARBURETTOR	Sida Page 338
----------------------------	------------------------------	--	--	---------------------

Pos. Fig.	Antal/Quantity				Art nr Part No	Benämning	Description	Sats Kit	Anmärkning Notes
	5123 5124 -11								
X 1	1				6990057	Start kpl.....	Start assy.....		Inkl. pos 2 - 7
X 2	1				6990077	• Skruv.....	• Screw.....		
X 3	1				6990067	• Linhjul.....	• Starter pulley.....		
X 4	1				6990104	• Returfjäder.....	• Rewind spring.....		
X 5	1				6990050	• Starthandtag.....	• Starter handle.....		
X 6	1				6990019	• Platta.....	• Plate.....		
X 7	1				6990068	• Startsnöre.....	• Starter cord.....		
X 8	4				6990112	Skruv.....	Screw.....		
X 11	2				6990083	Skruv.....	Screw.....		
X 12	2				6990074	Skruv.....	Screw.....		
X 13	1				6990010	Packning.....	Gasket.....		
X 14	1				6990030	Insugningsrör.....	Intake manifold.....		
X 15	2				6990085	Mutter.....	Nut.....		
X 16	1				6990009	Packning.....	Gasket.....		
X 21	1				6990026	Förgasare kpl.....	Carburettor assy.....		Inkl. pos 22 - 48
X 22	4				6990076	• Skruv.....	• Screw.....		
X 23	1				6990024	• Lock.....	• Cover.....		
X 24	1				6990052	• Primer.....	• Air purge pump.....		
X 25	1				6990034	• Lock.....	• Cover.....		
X 26	1				6990049	• Membran.....	• Diaphragm.....		
X 27	1				6990005	• Packning.....	• Gasket.....		
X 31	1				6990035	• Förgasarkropp kpl.....	• Carburettor body assy.....		Inkl. pos 32 - 37
X 32	1				6990023	• Nät.....	• Screen.....		
X 33	1				6990028	• Nålventil.....	• Inlet needle.....		
X 34	1				6990108	• Fjäder.....	• Spring.....		
X 35	1				6990029	• Arm.....	• Lever.....		
X 36	1				6990096	• Axel.....	• Pin.....		
X 37	1				6990075	• Skruv.....	• Screw.....		
X 38	1				6990048	• Membran.....	• Diaphragm.....		
X 39	1				6990007	• Packning.....	• Gasket.....		
X 40	1				6990100	• Ventil.....	• Valve.....		
X 41	1				6990099	• O- ring.....	• O- ring.....		
X 42	1				6990092	• Låsring.....	• Lock ring.....		
X 43	2				6990079	• Skruv.....	• Screw.....		
X 44	1				6990027	• Justerskruv.....	• Throttle cable adjust.....		
X 45	1				6990086	• Mutter.....	• Nut.....		
X 46	1				6990119	• Mutter.....	• Nut.....		
X 47	1				6990038	• Skruv.....	• Screw.....		
X 48	1				6990117	• Bricka.....	• Washer.....		



Utgåva Issue 2006-12		Bildnr Picture No 2154		SH 170K HÄCKSAX KNIVSYSTEM		SH 170K HEDGE TRIMMER CUTTING UNIT		Sida Page 330	
Pos. Fig.	Antal/Quantity			Art nr Part No	Benämning	Description	Sats Kit	Anmärkning Notes	
	5123 -11								
X	1	1		6990154	Kopplingshus.....	Clutch housing.....			
X	2	1		6990149	Stift.....	Pin.....			
X	3	1		6990140	Skruv.....	Screw.....			
X	4	1		6990160	Arm.....	Lever.....			
X	5	1		6990129	Fjäder.....	Spring.....			
X	6	2		6990163	Mutter.....	Nut.....			
X	7	1		6990162	Skruv.....	Screw.....			
X	8	1		6990161	Bromsband.....	Brake band.....			
X	9	1		6990122	Kopplingshjul.....	Clutch drum.....			
X	10	1		6990177	Hus- övre.....	Case- upper.....			
X	11	4		6990141	Skruv.....	Screw.....			
X	12	1		6990153	Smörjnippel.....	Grease dispenser.....			
X	13	1		6990152	Kullager.....	Ball bearing.....			
X	14	1		6990155	Drev.....	Pinion.....			
X	15	3		6990151	Kullager.....	Ball bearing.....			
X	16	1		6990156	Kugghjul.....	Sprocket.....			
X	17	2		6990157	Vevstake.....	Connecting rod.....			
X	18	1		6990150	Låsring.....	Lock ring.....			
X	19	1		6990126	Glidblock.....	Glide shoe.....			
X	20	1		6990178	Hus- undre.....	Case- lower.....			
X	21	6		6990141	Skruv.....	Screw.....			
X	22	5		6990214	Skruv.....	Screw.....			
X	23	6		6990146	Mutter.....	Nut.....			
X	24	1		6990128	Hållare.....	Retainer.....			
X	25	1		6990127	Knivskydd.....	Blade guard.....			
X	26	1		6990159	Knivskena.....	Blade bar.....			
X	27	2		6990176	Kniv.....	Blade.....			
X	28	4		6990121	Bricka.....	Washer.....			
X	29	3		6990125	Skruv.....	Screw.....			
X	30	1		6990137	Skruv.....	Screw.....			
X	31	2		6990158	Glidblock.....	Glide shoe.....			
X	32	4		6990139	Skruv.....	Screw.....			
X	35	2		6990143	Skruv.....	Screw.....			
X	36	2		6990148	Distans.....	Spacer.....			
X	37	1		6990172	Handtag- främre.....	Handle- front.....			
X	38	2		6990147	Distans.....	Spacer.....			
X	40	2		6990145	Skruv.....	Screw.....			
X	41	1		6990171	Skydd.....	Guard.....			
X	45	1		6990136	Stoppkontakt.....	Stop switch.....			
X	46	1		6990166	Handtag- hö.....	Handgrip- RH.....			
X	47	1		6990165	Handtag- vä.....	Handgrip- LH.....			
X	48	1		6990132	Fjäder.....	Spring.....			
X	49	1		6990167	Gasreglage.....	Throttle lever.....			
X	50	1		6990133	Fjäder.....	Spring.....			
X	51	1		6990168	Säkerhetsspärr.....	Safety lever.....			
X	52	1		6990164	Länk.....	Rod.....			
X	53	1		6990170	Hake.....	Hook.....			
X	54	1		6990169	Arm.....	Lever.....			
X	55	1		6990123	Fjäder.....	Spring.....			
X	56	1		6990134	Gaswire.....	Throttle cable.....			
X	57	1		6990135	Bromswire.....	Brake cable.....			
X	58	8		6990144	Skruv.....	Screw.....			
X	59	2		6990138	Packning.....	Gasket.....			
X	60	1		6990174	Hus- hö.....	Case- RH.....			
X	61	1		6990173	Hus- vä.....	Case- LH.....			
X	62	4		1911- 4517- 01	Dämpement.....	Shock absorber.....			
X	63	2		6990131	Fjäder.....	Spring.....			
X	64	2		6990130	Fjäder.....	Spring.....			
X	67	1		6990217	Fäste.....	Bracket.....			
X	68	2		6990213	Bricka.....	Washer.....			
X	69	2		6990216	Fäste.....	Bracket.....			
X	71	1		6990124	Knivskydd.....	Blade cover.....			