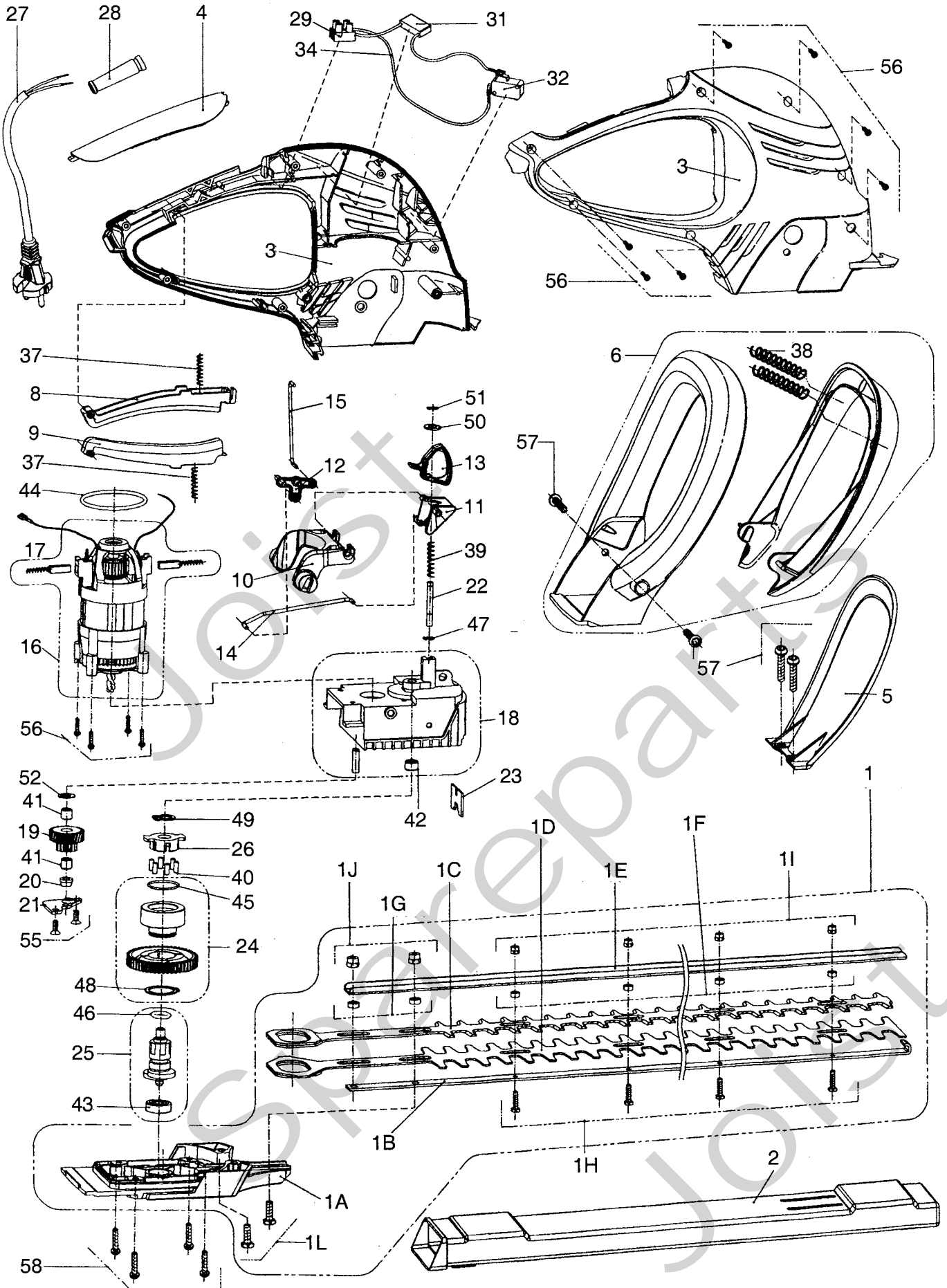


Genuine Spare Parts



Joist
Spareparts
Joist



Utgåva Issue		Bildnr Picture No		SH 60 HÄCKSAX	SH 60 HEDGE CUTTER	Sida Page		
2004-12		1264B				292		
Pos. Fig.	Antal/Quantity			Art nr Part No	Benämning	Description	Sats Kit	Anmärkning Notes
	5116							
1	1			1911-1541-01	Kniv kpl.....	Blade system.....		
1A	1			1911-1513-01	• Basplatta.....	• Base plate.....		
1B	1			1911-1563-01	• Knivlinjal- undre.....	• Blade rail- lower.....		
1C	1			1911-1561-01	• Skärkniv.....	• Cutting blade.....		
1D	1			1911-1562-01	• Kammkniv.....	• Comb blade.....		
1E	1			1911-1540-01	• Knivlinjal- övre.....	• Blade rail- upper.....		
1F	5			1911-1559-01	• Distans.....	• Distance ring.....		
1G	2			1911-1558-01	• Distans.....	• Distance ring.....		
1H	5			1911-1535-01	• Skruv.....	• Screw.....		
1I	5			1911-1107-01	• Mutter.....	• Nut.....		
1J	2			1911-1108-01	• Mutter.....	• Nut.....		
1L	2			1911-1536-01	• Skruv.....	• Screw.....		
2	1			1911-1519-01	Knivskydd.....	Blade cover.....		
X 3	1			1911-1598-01	Hus.....	Housing.....		
4	1			1911-1508-01	Lock.....	Grip cover.....		
5	1			1911-1517-01	Handskydd.....	Hand cover.....		
6	1			1911-1594-01	Handtag kpl.....	Handle assy.....		
8	1			1911-1511-01	Kabelkanal.....	Cable grommet.....		
9	1			1911-1512-01	Kabelkanal.....	Cable grommet.....		
10	1			1911-1514-01	Brytarelement.....	Switch element.....		
11	1			1911-1515-01	Insats.....	Insert.....		
12	1			1911-1516-01	Vridarm.....	Turn lever.....		
13	1			1911-1518-01	Vipparm.....	Rocker switch.....		
14	1			1911-1537-01	Länk.....	Link.....		
X 15	1			1911-1538-01	Länk.....	Link.....		
16	1			1911-1597-01	Elmotor.....	Electric motor.....		
17	2			1911-1544-01	Släpkol.....	Carbon brush.....		
18	1			1911-1564-01	Växelhus kpl.....	Gear housing cpl.....		Inkl. pos 53
19	1			1911-1565-01	Drev.....	Gear set.....		
20	1			1911-1557-01	Distans.....	Liner.....		
21	1			1911-1556-01	Lagerfäste.....	Bearing bracket.....		
22	1			1911-1539-01	Kopplingsstift.....	Clutch pin.....		
23	1			1911-1532-01	Filttätning.....	Felt seal.....		
24	1			1911-1543-01	Överbelastningsskydd.....	Overload device.....		
25	1			1911-1560-01	Excenteraxel.....	Excenter shaft.....		
26	1			1911-1555-01	Kopplingshus.....	Clutch cage.....		
27	1			1911-1488-01	Anslutningskabel.....	Cable w.plug.....		
28	1			1911-1066-01	Gummihylsa.....	Grommet.....		
29	1			1911-1104-01	Kopplingsbit.....	Cable connection.....		
31	1			1911-1525-01	Kondensator.....	Condensator.....		
32	1			1911-1524-01	Brytare.....	Inside switch.....		
34	1			1911-1523-01	Kabel.....	Cable.....		
37	2			1911-1083-01	Fjäder.....	Spring.....		
38	2			1911-1551-01	Tryckfjäder.....	Pressure spring.....		
39	1			1911-1530-01	Tryckfjäder.....	Pressure spring.....		
40	6			1911-1531-01	Kopplingskon.....	Pitch cone.....		
41	2			1911-1548-01	Nållager.....	Needle bush.....		
42	1			1911-1546-01	Nållager.....	Needle bush.....		
43	1			1911-1554-01	Kullager.....	Ball bearing.....		
44	1			1911-1520-01	O-ring.....	O-ring.....		
45	1			1911-1521-01	O-ring.....	O-ring.....		
46	1			1911-1522-01	O-ring.....	O-ring.....		
47	1			1911-1528-01	Bricka.....	Thrust washer.....		
48	1			1911-1489-01	Axelring.....	Shaft ring.....		
49	1			1911-1549-01	Ring.....	Round wire ring.....		
50	1			1911-1529-01	Bricka.....	Washer.....		
51	1			1911-1567-01	Bricka.....	Washer.....		
52	1			1911-1550-01	Bricka.....	Washer.....		
55	2			1911-1552-01	Skruv.....	Screw.....		
56	11			1911-1105-01	Skruv.....	Screw.....		
57	4			1911-1534-01	Skruv.....	Screw.....		
58	4			1911-1533-01	Skruv.....	Screw.....		