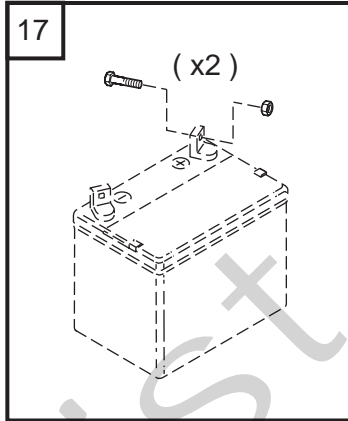
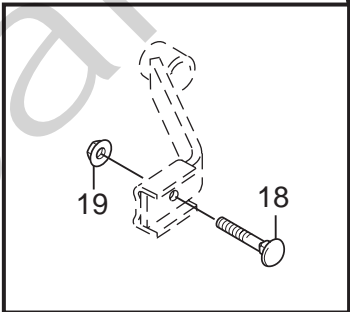
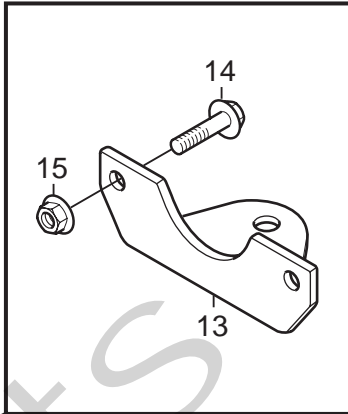
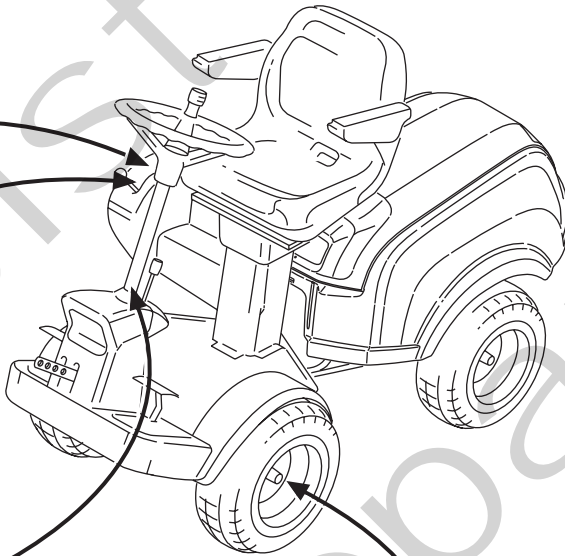
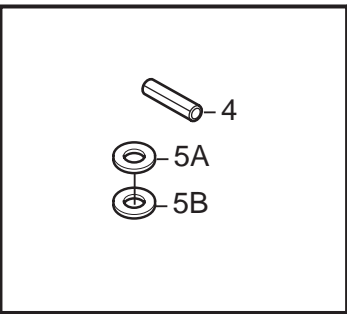
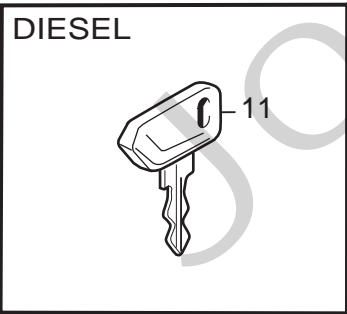
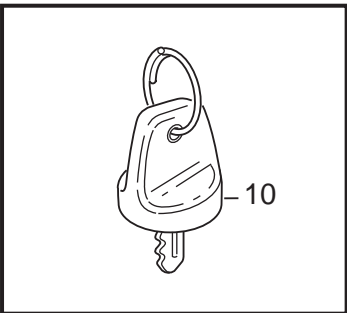
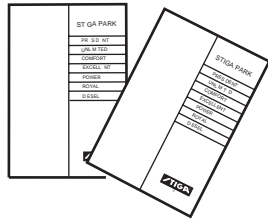


Genuine Spare Parts

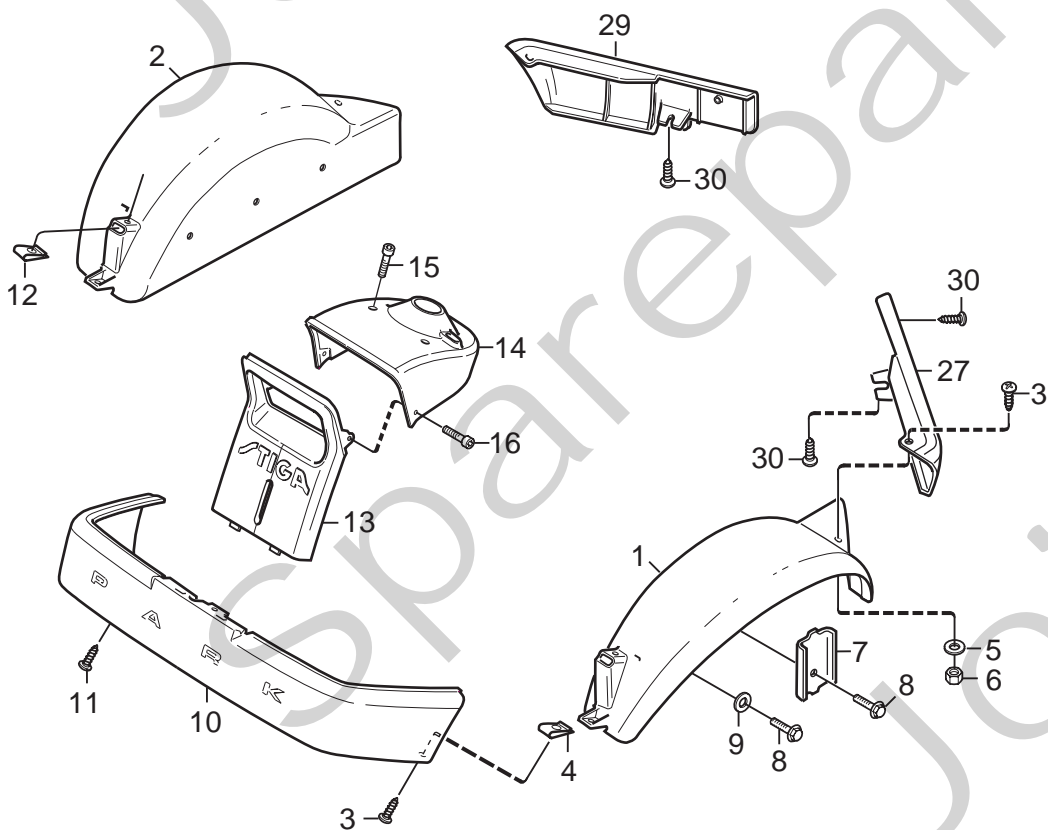
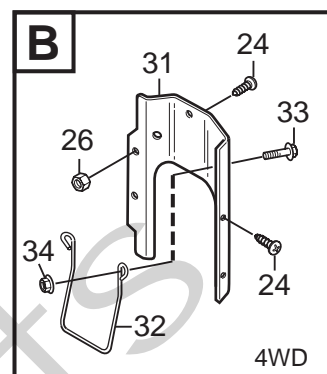
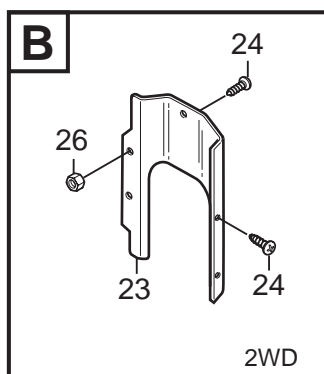
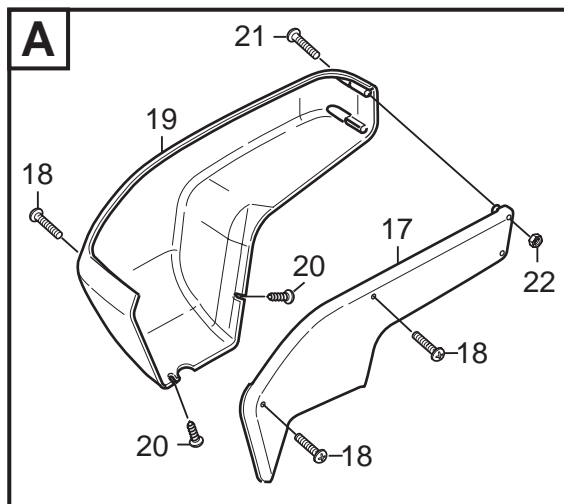
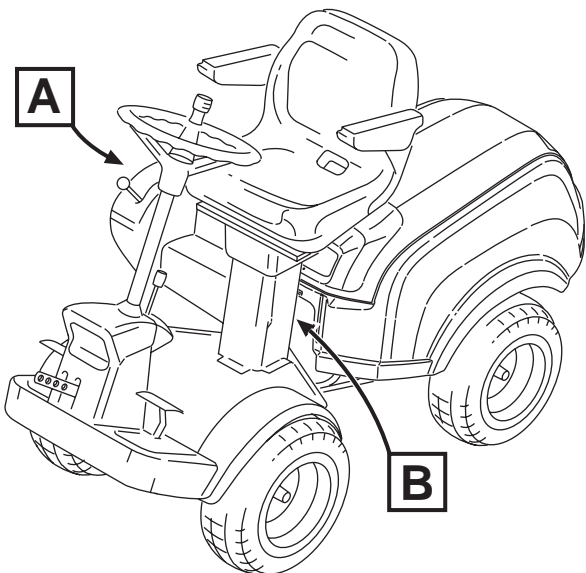


Spareparts
Joist

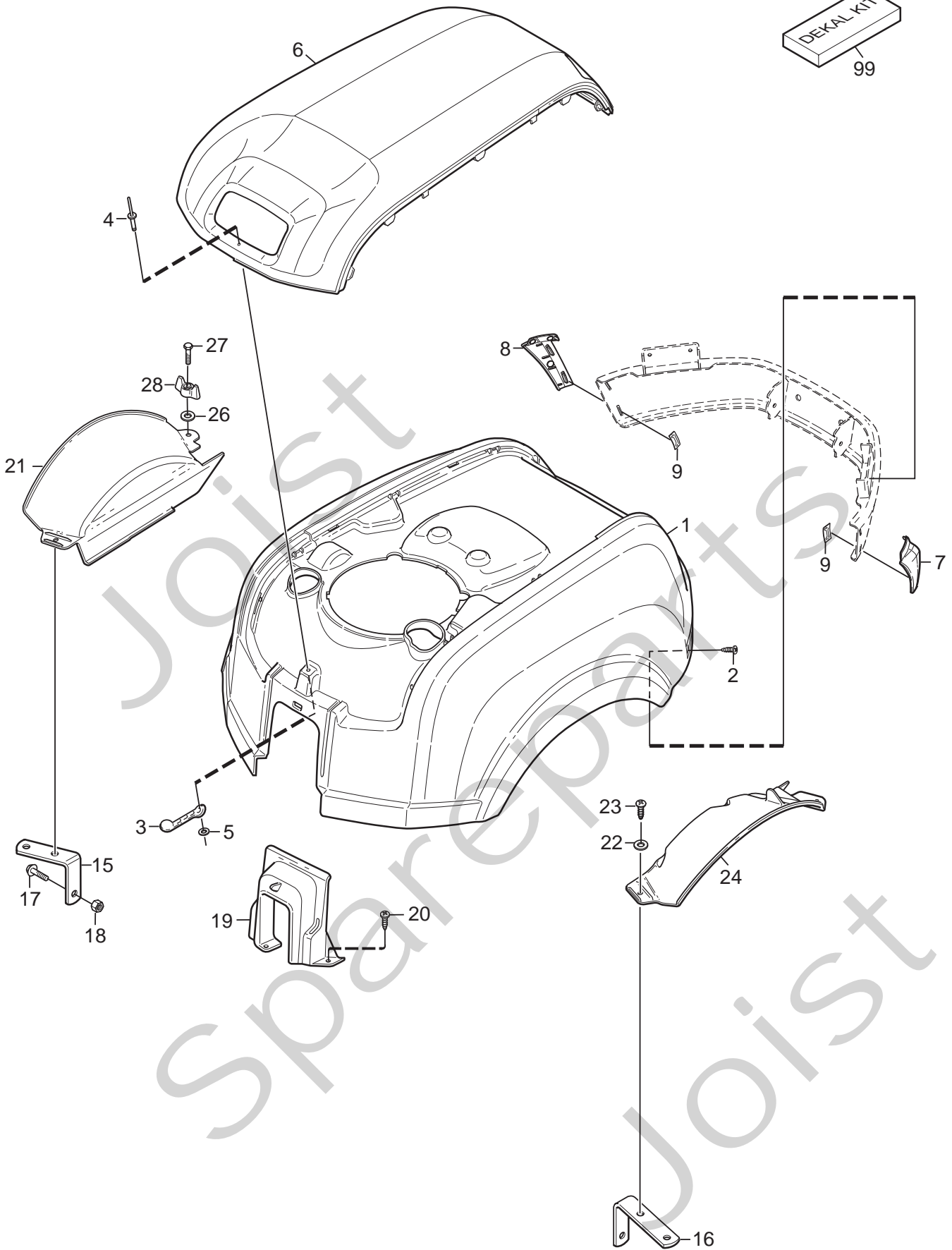
31



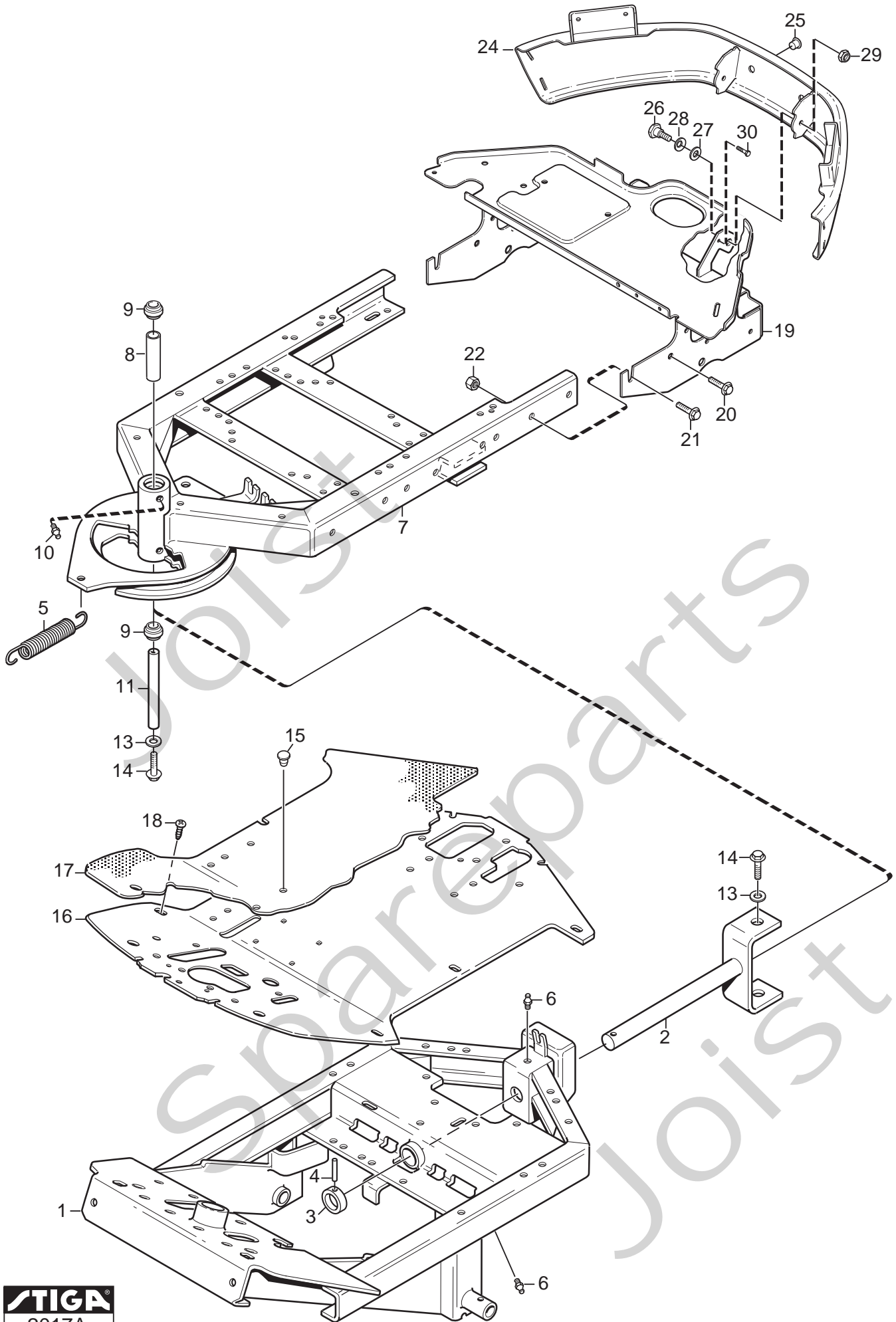
Utgåva Issue		Bildnr Picture No		PARK MONTERINGSDETALJER		PARK ASSEMBLY PARTS		Sida Page	
2007- 11		2014A						48	
Pos. Fig.	Antal/Quantity				Art nr Part No	Benämning	Description	Sats Kit	Anmärkning Notes
	6182 6183 6185	6184 6187 6189	6180 6181	6190 6191 6192					
4	1	1	1	1	9595-0262-00	Spännstift	Locating pin		
5A	1	1	1	1	9699-0103-02	Shims	Flat washer		0.5 mm
5B	1	1	1	1	9699-0114-02	Shims	Flat washer		1.0 mm
10	2	2		2	1134-4734-01	Tändningsnyckel.....	Ignition key		
11			2		1134-4909-01	Tändningsnyckel.....	Ignition key		
13	1	1	1	1	1134-5512-01	Dragplåt.....	Towing plate.....		
14	2	2	2	2	9959-0820-16	Skruv.....	Screw.....		
15	2	2	2	2	9739-0831-22	Mutter.....	Nut.....		
17	1	1	1	1	1134-6113-02	Batteriskruvar	Battery screws		
18	2	2	2	2	9898-1035-16	Skruv.....	Screw.....		
19	2	2	2	2	9739-1031-22	Mutter.....	Nut.....		
X 31	1				8211-0003-70	Bruksanvisning.....	Owner's manual		
X 31	1				8211-0004-70	Bruksanvisning.....	Owner's manual		
X 31			1		8211-0007-70	Bruksanvisning.....	Owner's manual		
X 31			1		8211-0008-70	Bruksanvisning.....	Owner's manual		
X 31		1			8211-0014-70	Bruksanvisning.....	Owner's manual		
X 31		1			8211-0015-70	Bruksanvisning.....	Owner's manual		
X 31			1		8211-0017-70	Bruksanvisning.....	Owner's manual		6190-03, 6191-13 (IT)
X 31			1		8211-0063-70	Bruksanvisning.....	Owner's manual		6192-23 (CZ)
X 31		1			8211-0602-70	Monteringsanvisning.....	Assy instructions		
X 31	1		1		8211-0604-70	Monteringsanvisning.....	Assy instructions		
X 31	1	1	1		8211-0701-70	Säkerhetsföreskrifter	Safety regulations		
X 31	1	1			8211-0901-70	Servicebok.....	Service book		
X 31			1		8211-0902-70	Servicebok.....	Service book		
X 31	1	1	1		8211-0950-70	Garantikort.....	Warranty card		



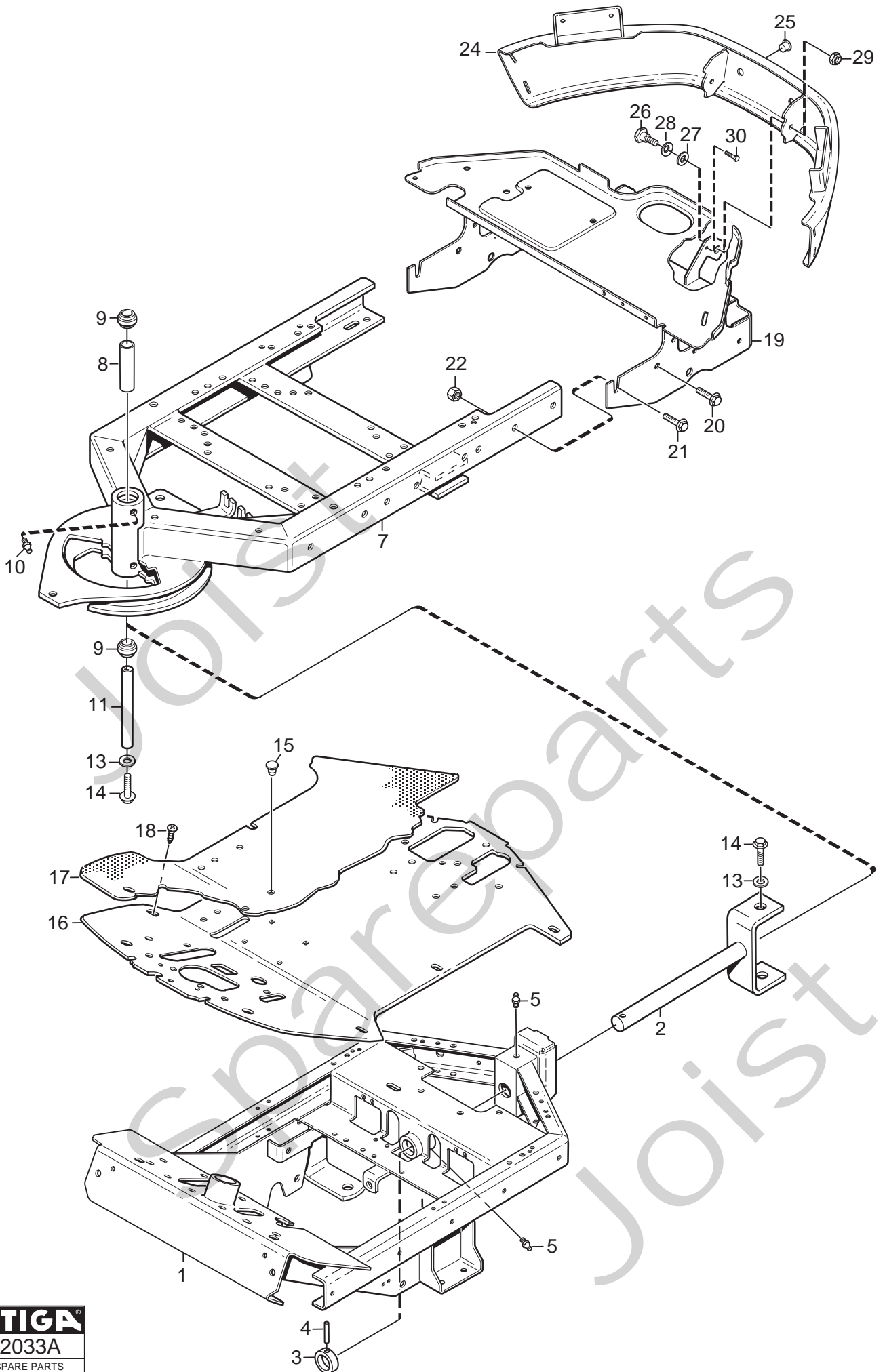
Utgåva Issue		Bildnr Picture No				PARK KAROSS-FRAM		PARK BODY WORK-FRONT		Sida Page	
2007- 11		2015A								50	
Pos. Fig.	Antal/Quantity				Art nr Part No	Benämning	Description	Sats Kit	Anmärkning Notes		
	6182 6184 6185 6187	6183 6189 6190	6191 6192	6180 6181							
1	1	1	1	1	1134-3943-01	Skärm- vä, gul	Mud guard- LH, yell.....				
2	1	1	1	1	1134-3943-02	Skärm- hö, gul	Mud guard- RH, yell.				
3	4	4	4	4	9893-0616-16	Skruv	Screw				
4	4	4	4	4	1134-4176-01	Clips	Clips				
5	2	2	2	2	9699-0060-02	Planbricka.....	Flat washer.....				
6	2	2	2	2	9747-0631-02	Låsmutter	Lock nut				
7	2	2	2	2	1134-0225-00	Stödplåt	Support plate				
8	6	6	6	6	9945-0816-16	Skruv	Screw				
9	4	4	4	4	9699-0056-02	Planbricka.....	Flat washer.....				
10	1	1	1	1	1134-4220-02	Stötfångare- grå.....	Bumper- grey				
11	6	6	6	6	9893-0616-16	Skruv	Screw				
12	2	2	2	2	1134-4176-01	Clips	Clips				
13	1	1	1	1	1134-4216-05	Frontdekor- gul	Front plate- yellow.....				
14	1	1	1	1	1134-3984-03	Frontdekor övre- gul	Front plate upper- yel.....				
15	2	2	2	2	9946-0525-16	Skruv	Screw				
16	2	2	2	2	9840-8019-16	Skruv	Screw				
17	1	1	1	1	1134-4360-01	Kåpa- inre	Cover- inner				
18	3	3	3	3	9946-0525-16	Skruv	Screw				
19	1	1	1	1	1134-3979-01	Kåpa- yttre	Cover- outer				
20	2	2	2	2	9840-8019-16	Skruv	Screw				
21	2	2	2	2	9950-0570-12	Skruv	Screw				
22	2	2	2	2	9747-0531-02	Mutter.....	Nut				
23	1	1	1	1	1134-5694-01	Bakstycke	Rear plate.....		2WD		
24	4	4	4	4	9893-0616-16	Skruv	Screw				
26	2	2	2	2	9739-0631-22	Mutter.....	Nut				
27	1	1	1	1	1134-3970-05	Kantlist- vä, grå.....	Moulding- LH, grey				
29	1	1	1	1	1134-3970-02	Kantlist- hö, grå	Moulding- RH, grey.....				
30	4	4	4	4	9893-0616-16	Skruv	Screw				
X 31	1	1	1	1	1134-6461-01	Bakstycke	Rear plate.....		4WD		
X 32	1	1	1	1	1134-6460-01	Skyddsbygel.....	Protective loop.....		4WD		
33	2	2	2	2	9959-0820-16	Skruv	Screw				
34	2	2	2	2	9739-0831-22	Mutter.....	Nut				



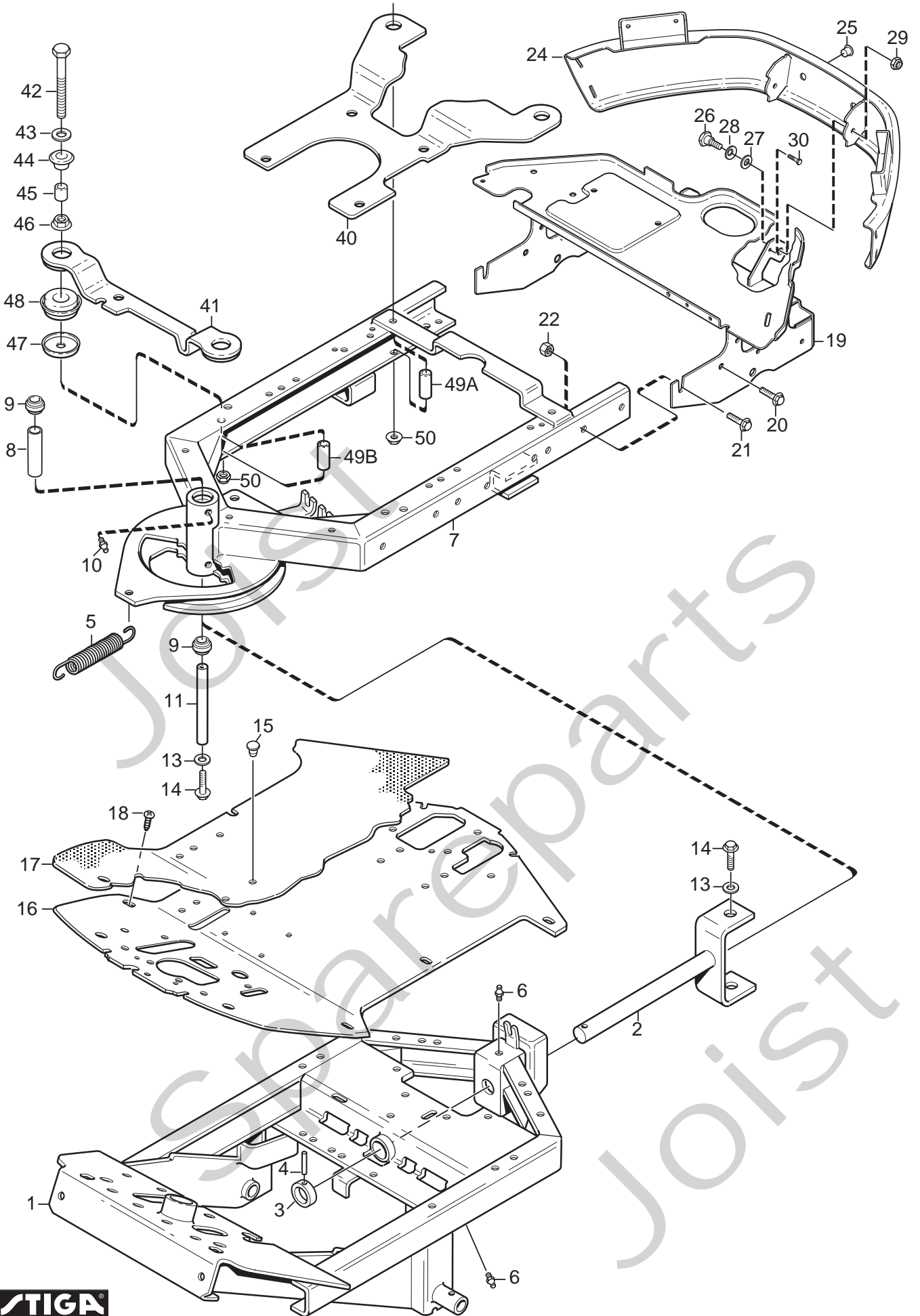
Utgåva Issue		Bildnr Picture No				PARK KAROSS- BAK		PARK BODY WORK- REAR		Sida Page	
2007- 11		2016A								52	
Pos. Fig.	Antal/Quantity				Art nr Part No	Benämning	Description	Sats Kit	Anmärkning Notes		
	6182 6184 6185 6187	6183 6189 6190	6191 6192	6180 6181							
	1	1	1	1	1134- 6025- 01	Motorhuv.....	Engine hood.....				
	2	4	4	4	9893- 0616- 16	Skruv.....	Screw.....				
	3	1	1	1	1134- 9028- 01	Gummistropp- sats.....	Rubber strap kit.....		Sats 3 st/kit of 3		
	4	1	1	1	9632- 0513- 00	Popnit.....	Pop rivet.....				
	5	1	1	1	9699- 0120- 02	Bricka.....	Washer.....				
	6	1	1	1	1134- 6026- 01	Motorlucka.....	Engine cover.....				
	7	1	1	1	1134- 6027- 01	Ändavslut- vä.....	Bumper end- LH.....				
	8	1	1	1	1134- 6027- 02	Ändavslut- hö.....	Bumper end- RH.....				
X	9	4	4	4	1134- 6310- 01	Clips.....	Clips.....				
	15		1	1	1134- 4012- 03	Stödkonsol- hö.....	Support- RH.....				
	16		1	1	1134- 4012- 04	Stödkonsol- vä.....	Support- LH.....				
	17		1	1	9959- 0820- 16	Skruv.....	Screw.....				
	18		1	1	9739- 0831- 22	Mutter.....	Nut.....				
	19	1	1	1	1134- 6241- 01	Huvstöd.....	Hood support.....				
	20	3	3	3	9893- 0616- 16	Skruv.....	Screw.....				
	21		1	1	1134- 4800- 01	Innerskärm- hö.....	Inner mud guard- RH.....				
	22		4	4	9699- 0060- 02	Planbricka.....	Flat washer.....				
	23		4	4	9893- 0616- 16	Skruv.....	Screw.....				
	24		1	1	1134- 4801- 01	Innerskärm- vä.....	Inner mud guard- LH.....				
	26			2	9699- 0060- 02	Planbricka.....	Flat washer.....				
	27			1	9997- 0625- 16	Skruv.....	Screw.....				
	28			1	1134- 4481- 02	Vingmutter.....	Wing nut.....				
	99			1	1134- 4593- 08	Dekalsats.....	Decal kit.....		Diesel		
X	99	1			1134- 6443- 01	Dekalsats.....	Decal kit.....		Comfort		
X	99		1		1134- 6443- 02	Dekalsats.....	Decal kit.....		Royal		
X	99	1			1134- 6443- 03	Dekalsats.....	Decal kit.....		President		
X	99		1		1134- 6443- 04	Dekalsats.....	Decal kit.....		Excellent		
X	99	1	1		1134- 6443- 05	Dekalsats.....	Decal kit.....		Unlimited		
X	99	1			1134- 6443- 06	Dekalsats.....	Decal kit.....		Power		
X	99	1			1134- 6443- 07	Dekalsats.....	Decal kit.....		Prestige		



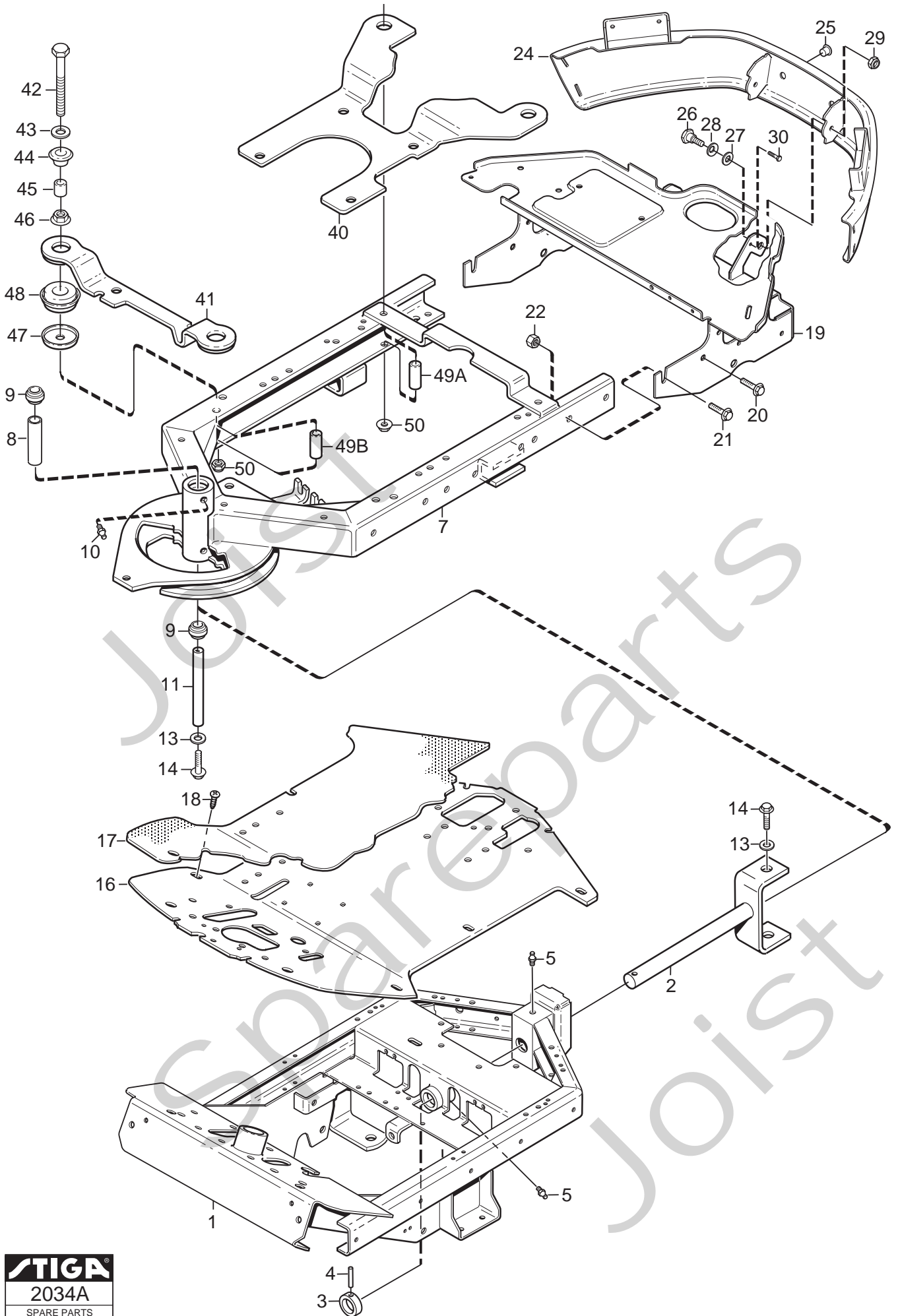
Utgåva Issue 2007- 11		Bildnr Picture No 2017A		PARK 2WD COMFORT- ROYAL- PRESID POWER- EXCELLENT- UNLTD RAM		PARK 2WD COMFORT- ROYAL- PRESID POWER- EXCELLENT- UNLTD FRAME		Sida Page 54	
Pos. Fig.	Antal/Quantity			Art nr Part No	Benämning	Description	Sats Kit	Anmärkning Notes	
	6182 6183 6184	6187 6189 6190							
X 1	1	1		1134-5315-03	Ram- främre	Frame- front			
2	1	1		1134-3963-02	• Midjegaffel	• Clevis			
3	1	1		1134-0031-00	• Ledaxelstopp	• Pivot shaft stop			
4	1	1		9595-0262-00	• Spännstift	• Locating pin			
5	1	1		1134-2171-01	Fjäder.....	Spring			
6	2	2		9501-0500-00	Smörjnippel	Grease joint.....			
7	1	1		1134-6081-01	Ram- bakre	Frame- rear.....			
8	1	1		1134-5705-01	• Distans	• Spacer			
9	2	2		9547-0001-00	• Ledlager.....	• Bearing.....			
10	2	2		9501-0500-00	• Smörjnippel	• Grease joint			
11	1	1		1134-5988-01	Centrumaxel	Centre shaft.....			
13	2	2		9699-0035-02	Planbricka.....	Flat washer.....			
14	2	2		9959-1025-16	Skruv.....	Screw.....			
X 15	2	2		9403-0048-70	Täckpropp	Plug			
16	1	1		1134-5294-01	Durk.....	Floor plate			
X 17	1	1		1134-6372-03	Durkmatta.....	Floor mat.....			
18	2	2		9893-0616-16	Skruv.....	Screw.....			
19	1	1		1134-5944-01	Tankhylla.....	Tank shelf.....			
20	2	2		9945-0816-16	Skruv.....	Screw.....			
21	2	2		9959-0820-16	Skruv.....	Screw.....			
22	2	2		9739-0831-22	Mutter.....	Nut.....			
24	1	1		1134-5676-01	Stötfångare.....	Bumper			
25	2	2		1134-4100-01	Täckpropp	Plug			
26	2	2		1134-0240-00	Ansatsskruv.....	Shoulder screw			
27	2	2		1134-4242-01	Distansbricka.....	Spacer washer			
28	2	2		9665-0002-00	Brickfjäder	Bowed washer.....			
29	2	2		9747-0831-02	Mutter.....	Lock nut.....			
30	2	2		9943-0516-16	Skruv.....	Screw.....			



Utgåva Issue		Bildnr Picture No		PARK 4WD PRESTIGE UNLTD (IT)- POWER (CZ) RAM		PARK 4WD PRESTIGE UNLTD (IT)- POWER (CZ) FRAME		Sida Page	
2007- 11		2033A						56	
Pos. Fig.	Antal/Quantity				Art nr Part No	Benämning	Description	Sats Kit	Anmärkning Notes
	6185	6191	6192						
X 1	1				1134-5656-02	Ram- främre	Frame- front		
2	1				1134-3963-02	• Midjegaffel	• Clevis		
3	1				1134-0031-00	• Ledaxelstopp	• Pivot shaft stop		
4	1				9595-0262-00	• Spännstift	• Locating pin		
5	2				9501-0500-00	• Smörjnippel	• Grease joint		
7	1				1134-6081-01	Ram- bakre	Frame- rear		
8	1				1134-5705-01	• Distans	• Spacer		
9	2				9547-0001-00	• Ledlager	• Bearing		
10	2				9501-0500-00	• Smörjnippel	• Grease joint		
11	1				1134-5988-01	Centrumaxel	Centre shaft		
13	2				9699-0035-02	Planbricka	Flat washer		
14	2				9959-1025-16	Skruv	Screw		
X 15	2				9403-0048-70	Täckpropp	Plug		
16	1				1134-5294-01	Durk	Floor plate		
X 17	1				1134-6372-03	Durkmatta	Floor mat		
18	2				9893-0616-16	Skruv	Screw		
19	1				1134-5944-01	Tankhylla	Tank shelf		
20	2				9945-0816-16	Skruv	Screw		
21	2				9959-0820-16	Skruv	Screw		
22	2				9739-0831-22	Mutter	Nut		
24	1				1134-5676-01	Stötfångare	Bumper		
25	2				1134-4100-01	Täckpropp	Plug		
26	2				1134-0240-00	Ansattsskruv	Shoulder screw		
27	2				1134-4242-01	Distansbricka	Spacer washer		
28	2				9665-0002-00	Brickfjäder	Bowed washer		
29	2				9747-0831-02	Mutter	Lock nut		
30	2				9943-0516-16	Skruv	Screw		

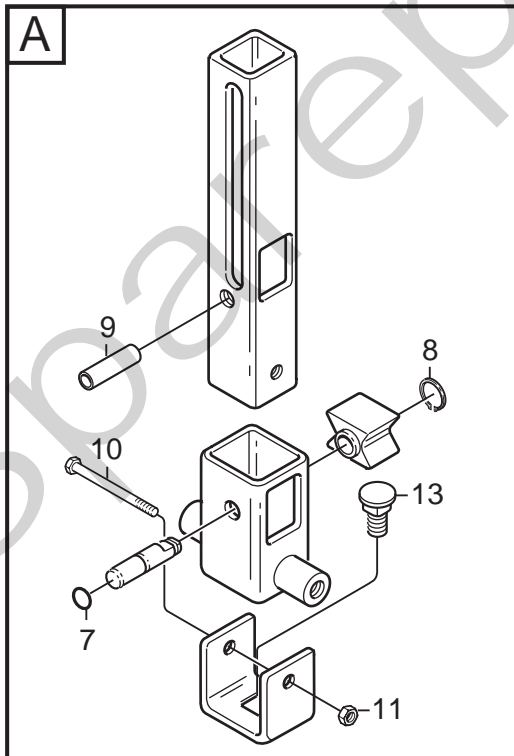
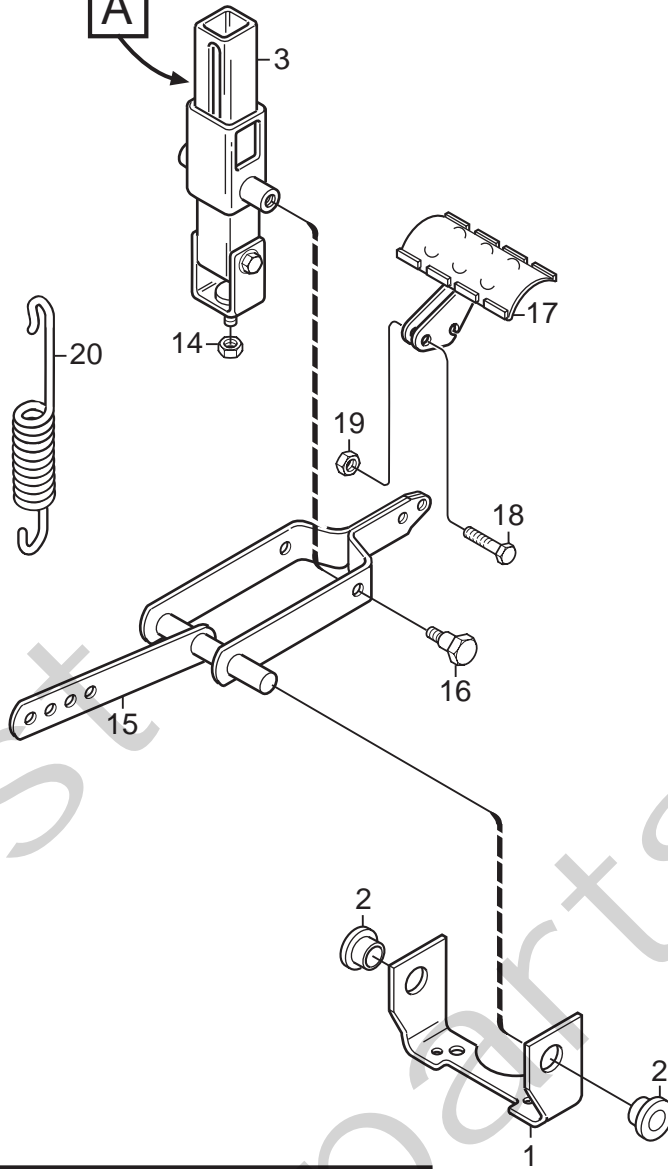


Utgåva Issue 2007- 11		Bildnr Picture No 2018A		PARK 2WD DIESEL RAM		PARK 2WD DIESEL FRAME		Sida Page 58	
Pos. Fig.	Antal/Quantity				Art nr Part No	Benämning	Description	Sats Kit	Anmärkning Notes
	6180								
X	1	1			1134-5315-03	Ram- främre	Frame- front		
	2	1			1134-3963-02	• Midjegaffel	• Clevis		
	3	1			1134-0031-00	• Ledaxelstopp	• Pivot shaft stop		
	4	1			9595-0262-00	• Spännstift	• Locating pin		
	5	1			1134-2171-01	Fjäder.....	Spring		
	6	2			9501-0500-00	Smörjnippel	Grease joint.....		
	7	1			1134-6046-01	Ram- bakre	Frame- rear.....		
	8	1			1134-5705-01	• Distans	• Spacer		
	9	2			9547-0001-00	• Ledlager.....	• Bearing.....		
	10	2			9501-0500-00	• Smörjnippel	• Grease joint.....		
	11	1			1134-5988-01	Centrumaxel	Centre shaft.....		
	13	2			9699-0035-02	Planbricka.....	Flat washer.....		
	14	2			9959-1025-16	Skruv.....	Screw.....		
X	15	2			9403-0048-70	Täckpropp	Plug		
	16	1			1134-5294-01	Durk.....	Floor plate.....		
X	17	1			1134-6372-03	Durkmatta.....	Floor mat.....		
	18	2			9893-0616-16	Skruv.....	Screw.....		
	19	1			1134-5944-01	Tankhylla.....	Tank shelf.....		
	20	2			9945-0816-16	Skruv.....	Screw.....		
	21	2			9959-0820-16	Skruv.....	Screw.....		
	22	2			9739-0831-22	Mutter.....	Nut.....		
	24	1			1134-5676-01	Stötfångare.....	Bumper.....		
	25	2			1134-4100-01	Täckpropp	Plug		
	26	2			1134-0240-00	Ansatsskruv.....	Shoulder screw.....		
	27	2			1134-4242-01	Distansbricka.....	Spacer washer.....		
	28	2			9665-0002-00	Brickfjäder	Bowed washer.....		
	29	2			9747-0831-02	Mutter.....	Lock nut.....		
	30	2			9943-0516-16	Skruv.....	Screw.....		
	40	1			1134-6037-01	Motorstag.....	Engine support.....		
	41	1			1134-4918-01	Motorstag- fram.....	Engine support- front.....		
	42	4			9997-1011-06	Skruv.....	Screw.....		
	43	4			9699-0030-02	Planbricka.....	Flat washer.....		
	44	4			1111-2453-01	Isolering	Grommet.....		
	45	4			1134-4919-01	Distans	Spacer.....		
	46	4			9739-1031-22	Mutter.....	Nut.....		
	47	4			1134-4915-01	Stödkopp.....	Support cup.....		
	48	4			1134-4920-01	Dämpement	Vibration absorber		
	49A	2			1134-0041-03	Hylsa	Collar		L = 55 mm
	49B	2			1134-0041-06	Hylsa	Collar		L = 52 mm
X	50	4			9731-1031-22	Mutter.....	Nut.....		



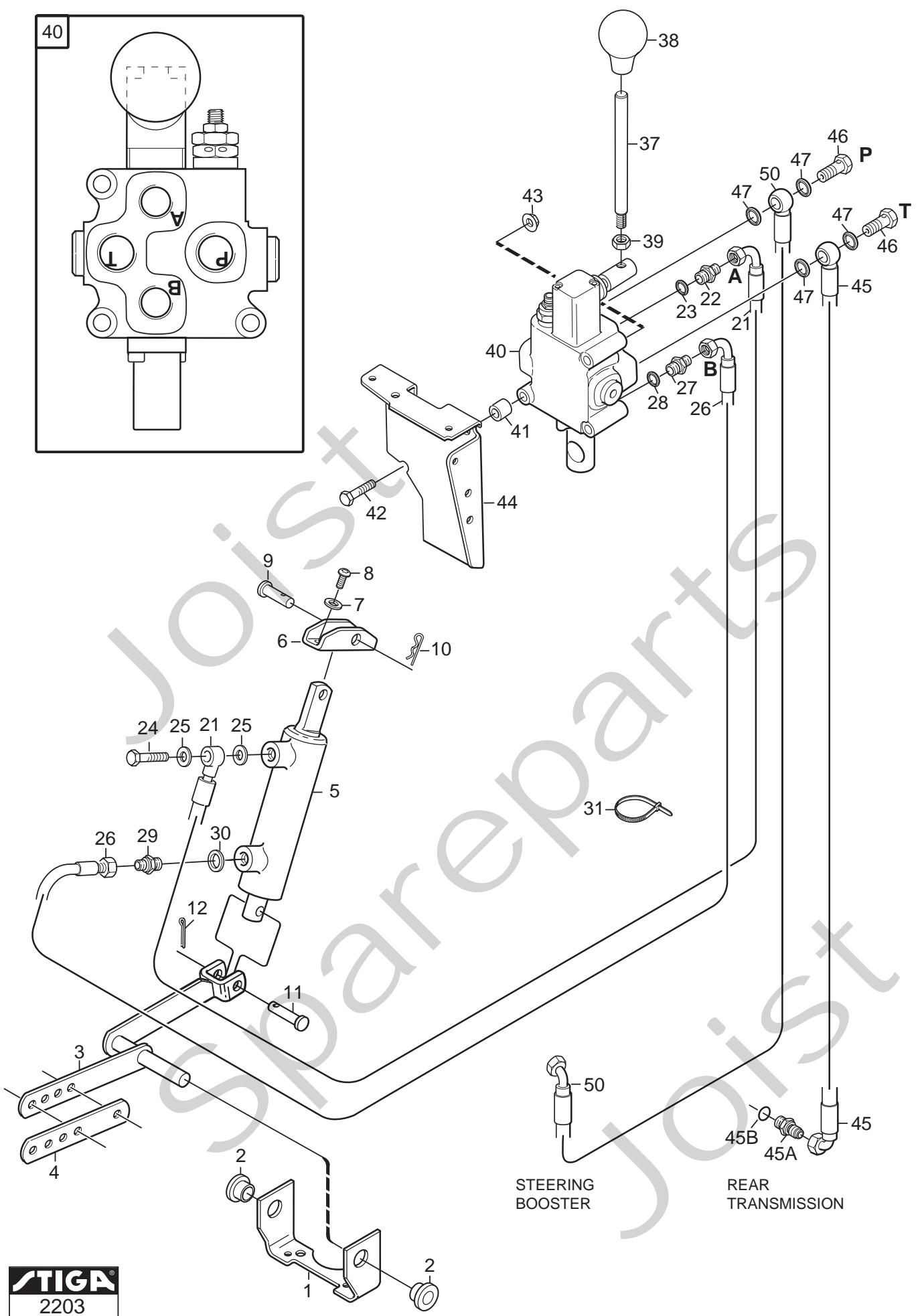
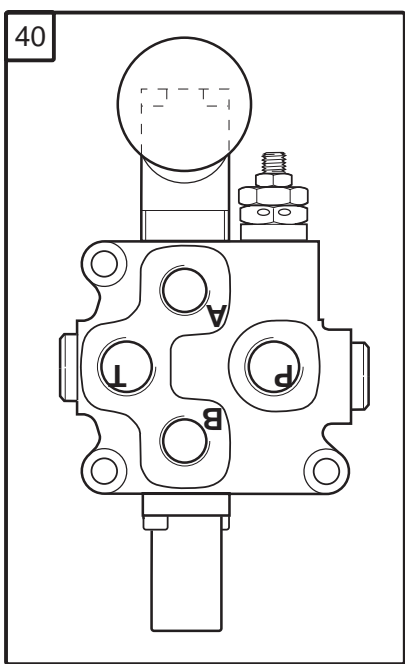
Utgåva Issue 2007- 11		Bildnr Picture No 2034A		PARK 4WD DIESEL RAM		PARK 4WD DIESEL FRAME		Sida Page 60	
Pos. Fig.	Antal/Quantity				Art nr Part No	Benämning	Description	Sats Kit	Anmärkning Notes
	6181								
X	1	1			1134-5656-02	Ram- främre	Frame- front		
	2	1			1134-3963-02	• Midjegaffel	• Clevis		
	3	1			1134-0031-00	• Ledaxelstopp	• Pivot shaft stop		
	4	1			9595-0262-00	• Spännstift	• Locating pin		
	5	2			9501-0500-00	• Smörjnippel	• Grease joint		
	7	1			1134-6046-01	Ram- bakre	Frame- rear		
	8	1			1134-5705-01	• Distans	• Spacer		
	9	2			9547-0001-00	• Ledlager	• Bearing		
	10	2			9501-0500-00	• Smörjnippel	• Grease joint		
	11	1			1134-5988-01	Centrumaxel	Centre shaft		
	13	2			9699-0035-02	Planbricka	Flat washer		
	14	2			9959-1025-16	Skruv	Screw		
	16	1			1134-5294-01	Durk	Floor plate		
X	17	1			1134-6372-03	Durkmatta	Floor mat		
	18	2			9893-0616-16	Skruv	Screw		
	19	1			1134-5944-01	Tankhylla	Tank shelf		
	20	2			9945-0816-16	Skruv	Screw		
	21	2			9959-0820-16	Skruv	Screw		
	22	2			9739-0831-22	Mutter	Nut		
	24	1			1134-5676-01	Stötfångare	Bumper		
	25	2			1134-4100-01	Täckpropp	Plug		
	26	2			1134-0240-00	Ansatsskruv	Shoulder screw		
	27	2			1134-4242-01	Distansbricka	Spacer washer		
	28	2			9665-0002-00	Brickfjäder	Bowed washer		
	29	2			9747-0831-02	Mutter	Lock nut		
	30	2			9943-0516-16	Skruv	Screw		
	40	1			1134-6037-01	Motorstag	Engine support		
	41	1			1134-4918-01	Motorstag- fram	Engine support- front		
	42	4			9997-1011-06	Skruv	Screw		
	43	4			9699-0030-02	Planbricka	Flat washer		
	44	4			1111-2453-01	Isolering	Grommet		
	45	4			1134-4919-01	Distans	Spacer		
	46	4			9739-1031-22	Mutter	Nut		
	47	4			1134-4915-01	Stödkopp	Support cup		
	48	4			1134-4920-01	Dämpement	Vibration absorber		
	49A	2			1134-0041-03	Hylsa	Collar		L = 55 mm
	49B	2			1134-0041-06	Hylsa	Collar		L = 52 mm
X	50	4			9731-1031-22	Mutter	Nut		

A



Utgåva Issue		Bildnr Picture No		PARK PEDALLYFT		PARK PEDAL LIFT		Sida Page	
2007- 11		1023D						62	
Pos. Fig.	Antal/Quantity				Art nr Part No	Benämning	Description	Sats Kit	Anmärkning Notes
	6180 6182 6183 6184	6187 6189 6190	6185 6191 6192						
1	1	1	1		1134-4117-01 Fäste	Bracket			
2	2	2	2		1134-2684-01 Lager	Bearing			
3	1	1	1		1134-4945-01 Lyftspärr kpl	Lift catch assy			
7	1	1	1		9404-0027-01 • O- ring	• O- ring			
8	1	1	1		9650-0039-04 • Seegersäkring	• Lock ring			
9	1	1	1		9595-0276-01 • Spännstift	• Locating pin			
10	1	1	1		9997-0640-12 • Skruv	• Screw			
11	1	1	1		9747-0631-02 • Låsmutter	• Lock nut			
13	1	1	1		9897-0820-16 • Skruv	• Screw			
14	1	1	1		9747-0831-02 Mutter	Lock nut			
15	1	1	1		1134-4860-01 Lyftgaffel	Lift fork			
16	2	2	2		1134-0240-00 Ansatsskruv	Shoulder screw			
17	1	1	1		1134-4938-01 Lyftpedal	Lift pedal			
18	2	2	2		9997-0625-16 Skruv	Screw			
19	2	2	2		9739-0631-22 Mutter	Nut			
20	1	1	1		4231-0013-00 Fjäder	Spring			

40

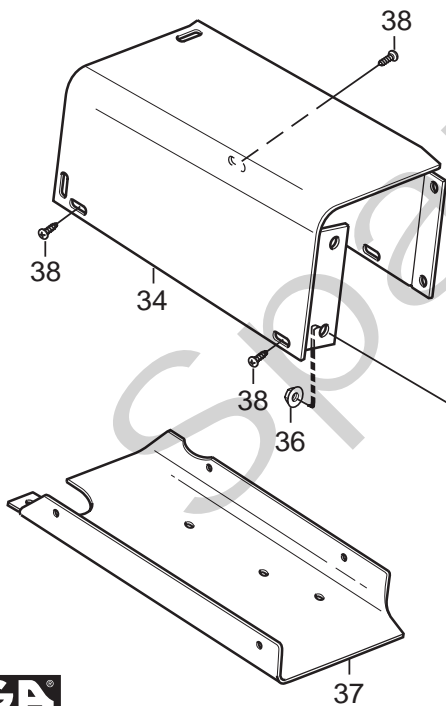
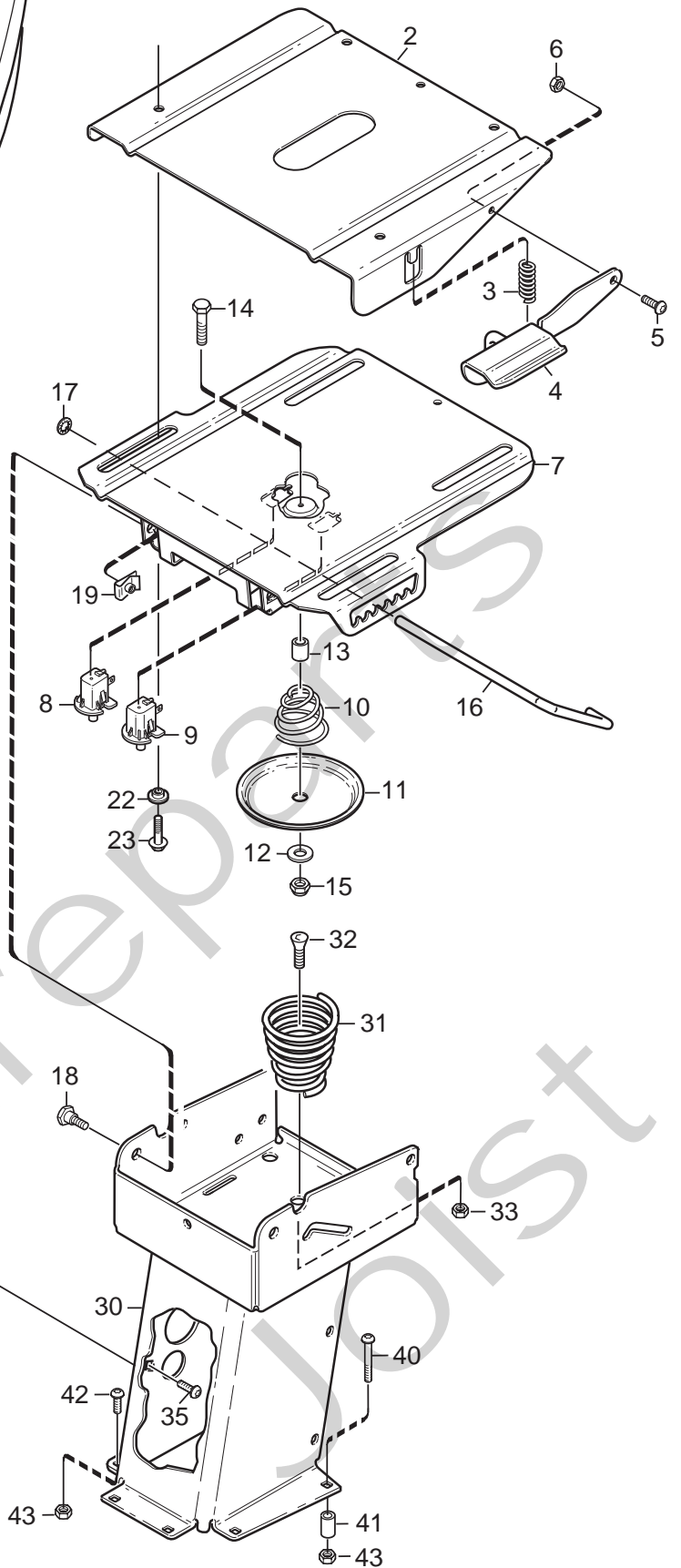


STEERING BOOSTER

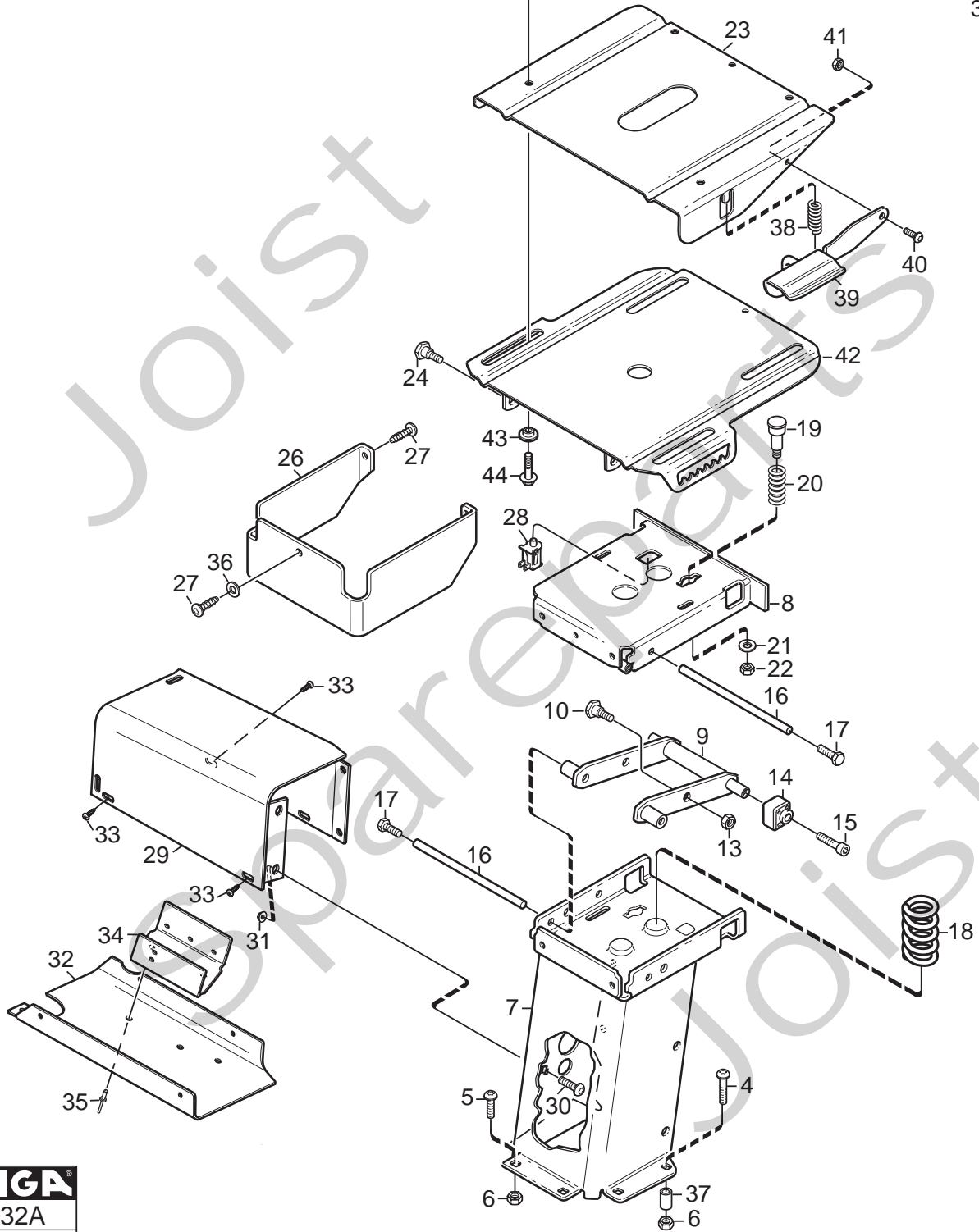
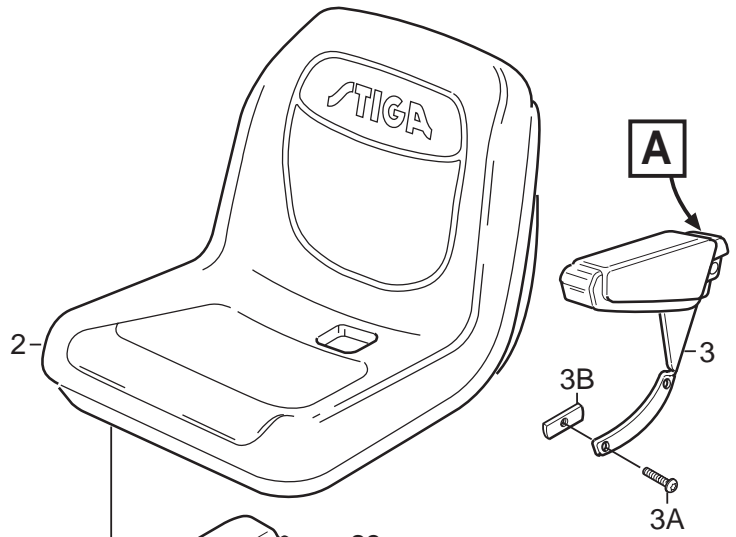
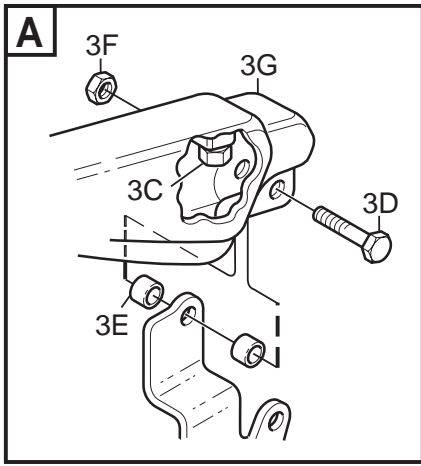
REAR TRANSMISSION



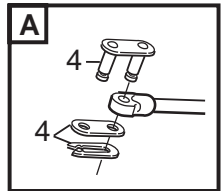
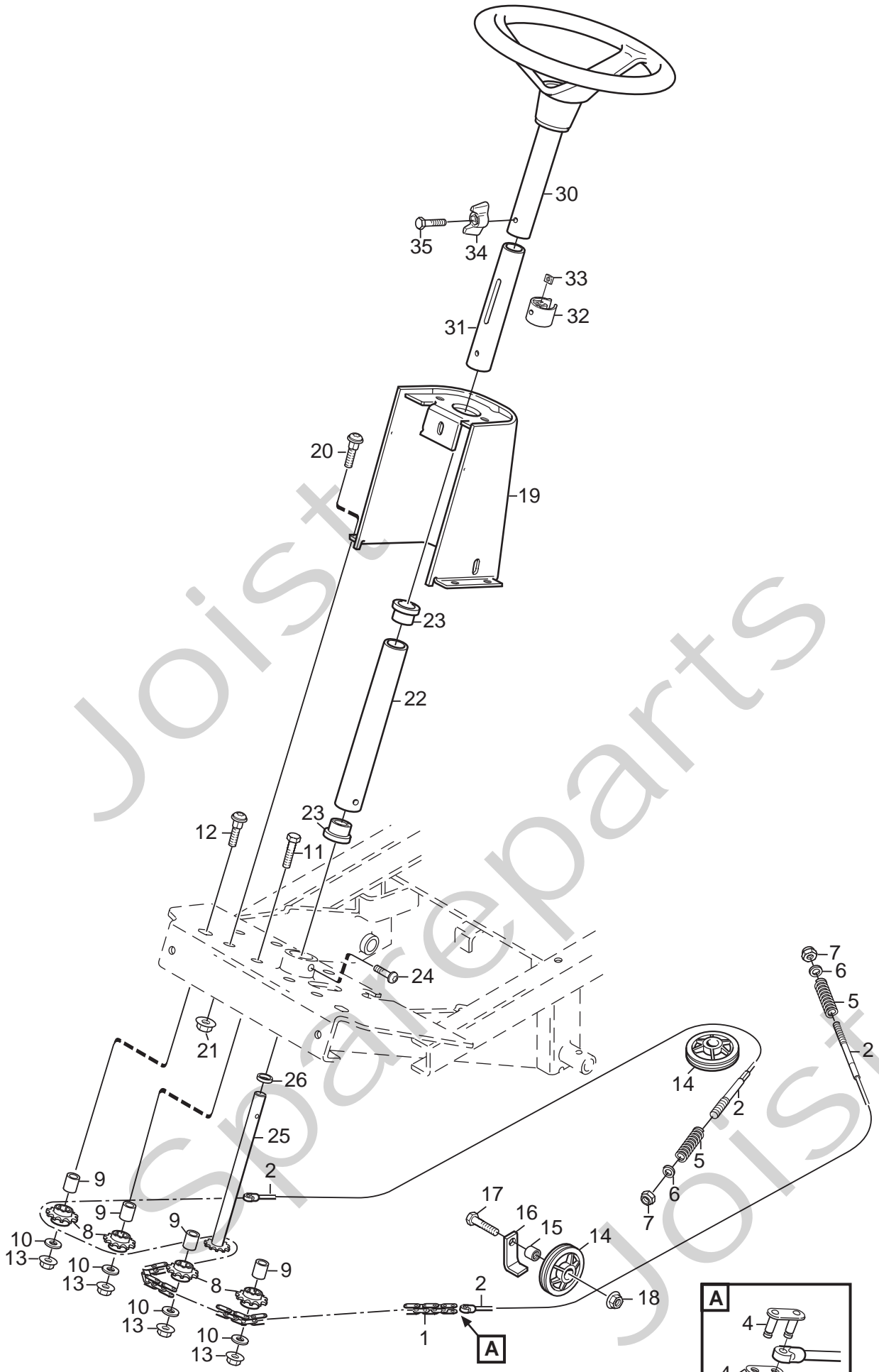
Utgåva Issue 2007- 11		Bildnr Picture No 2203		PARK DIESEL 4WD HYDRAULLYFT		PARK DIESEL 4WD HYDRAULIC LIFT		Sida Page 64	
Pos. Fig.	Antal/Quantity				Art nr Part No	Benämning	Description	Sats Kit	Anmärkning Notes
	6181								
	1	1			1134-4117-01	Fäste	Bracket		
	2	2			1134-2684-01	Lager	Bearing		
X	3	1			1134-6457-01	Lyftarm	Lift lever		
	4	1			1134-6245-01	Lyftarm	Lift lever		Tillbehör/Accessory
	5	1			1134-5596-01	Hydraulcylinder	Hydraulic cylinder		
	6	1			1134-4815-01	Cylinderfäste	Cylinder bracket		
	7	2			9699-0025-02	Planbricka	Washer		
	8	2			9893-0616-16	Skruv	Screw		
	9	1			1134-4816-01	Sprint	Pin		Ø 10 x 29
	10	1			9598-0002-02	Låsnål	Pin lock		
	11	1			1134-4817-01	Kolvstångssprint	Pin		Ø 10 x 34
	12	1			9599-0054-02	Saxpinne	Cotter pin		
X	21	1			1134-6299-01	Hydraulslang	Hydraulic tube		
	22	1			1134-4824-01	Adapter	Adapter		1/4" x 1/8"
	23	1			1134-4948-01	Tredobricka	Seal washer		1/4"
	24	1			1134-4826-01	Banjokrav	Banjo bolt		
	25	2			1134-4947-01	Kopparbricka	Copper washer		
X	26	1			1134-6298-01	Hydraulslang	Hydraulic tube		
	27	1			1134-4824-01	Adapter	Adapter		1/4" x 1/8"
	28	1			1134-4948-01	Tredobricka	Seal washer		1/4"
	29	1			1134-4825-01	Adapter	Adapter		1/8" x 1/8"
	30	1			1134-4947-01	Kopparbricka	Copper washer		
	31	4			9579-0003-00	Buntband	Cable holder		
X	37	1			1134-6345-01	• Spak	• Lever		
	38	1			1134-2551-01	Reglageknopp	Knob		
	39	1			9739-0831-22	Mutter	Nut		
X	40	1			1134-6294-01	Handspaksventil	Hand operated valve		Inkl. pos 37
X	41	2			1134-6364-01	Distans	Spacer		
	42	2			9997-0660-12	Skruv	Screw		
	43	2			9739-0631-22	Mutter	Nut		
X	44	1			1134-6328-01	Frontfäste	Panel bracket- front		
X	45	1			1134-6300-01	Hydraulslang	Hydraulic tube		
	45A	1			1134-4282-01	Hydraulnippel	Hydraulic nipple		9/16" x 9/16"
	45B	1			9404-0028-01	• O- ring	• O- ring		
X	46	2			1134-6323-01	Banjobult	Banjo bolt		3/8"
X	47	4			1134-4948-02	Tredobricka	Tredo washer		3/8"
X	50	1			1134-6295-01	Hydraulslang	Hydraulic tube		



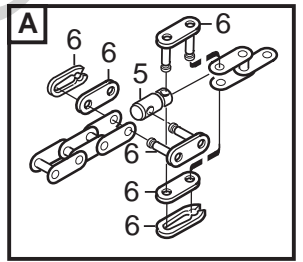
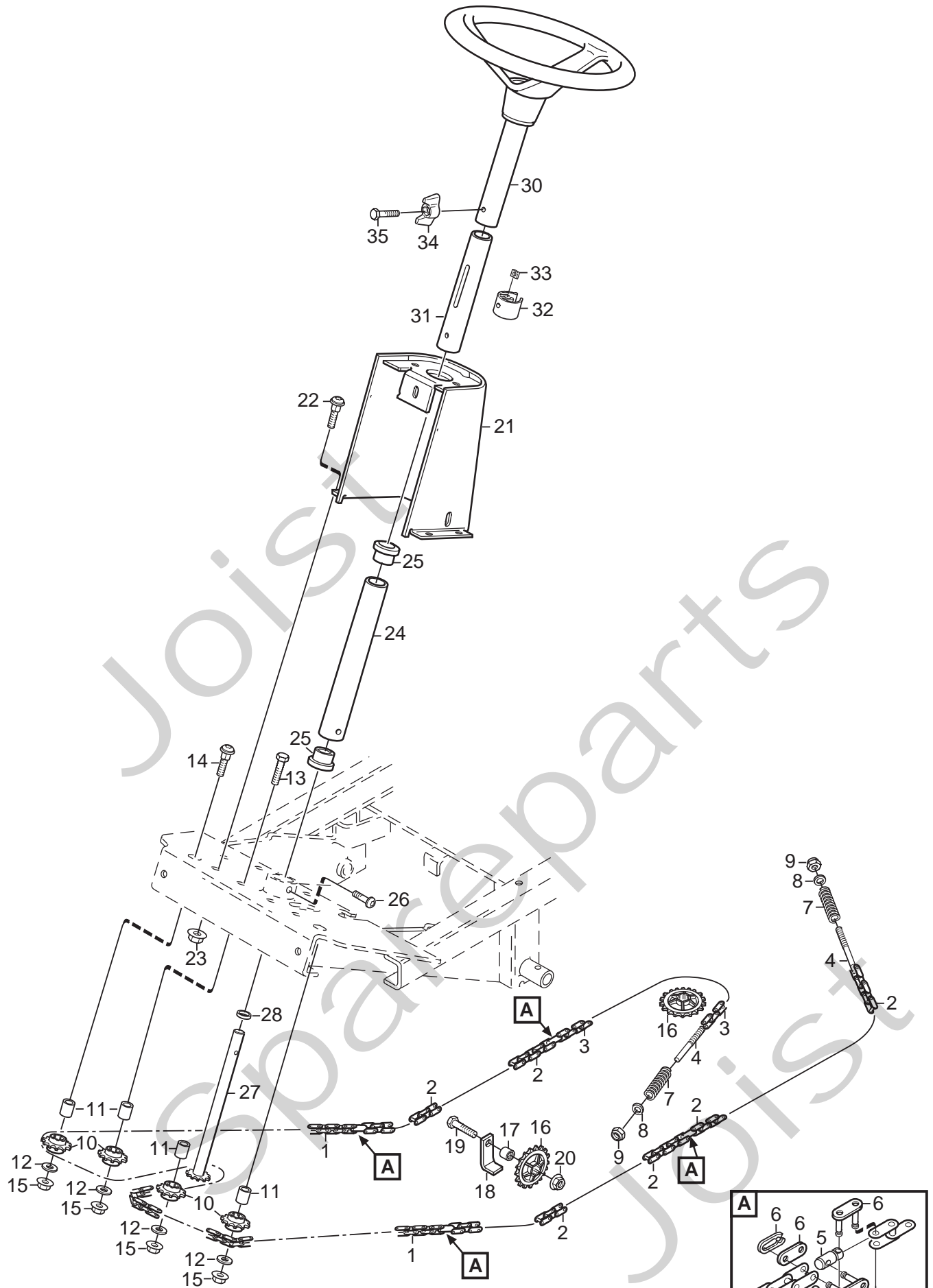
Utgåva Issue		Bildnr Picture No				PARK SITS		PARK SEAT		Sida Page	
2007- 11		2019A								66	
Pos. Fig.	Antal/Quantity				Art nr Part No	Benämning	Description	Sats Kit	Anmärkning Notes		
	6182 6183 6184 6185	6187 6189 6190	6180	6191 6192							
X 1	1	1	1	1	1134-6444-01	Sits	Seat				
2	1	1	1	1	1134-6090-01	Glidplatta	Slide plate				
3	1	1	1	1	1134-3262-01	Tryckfjäder	Compression spring				
4	1	1	1	1	1134-6073-01	Handtag	Handle				
5	1	1	1	1	9893-0616-16	Skruv	Screw				
6	1	1	1	1	9747-0631-02	Låsmutter	Lock nut				
7	1	1	1	1	1134-6068-01	Glidplatta- undre	Slide plate-lower				
8	1	1	2	1	1134-3156-01	Brytare (svart)	Switch (black)				
9	1	1	1	1	1134-3156-02	Brytare (grå)	Switch (grey)				
10	1	1	1	1	1134-5302-01	Fjäder	Spring				
11	1	1	1	1	1134-5299-01	Tryckplatta	Push plate				
12	1	1	1	1	9699-0090-02	Planbricka	Flat washer				
13	1	1	1	1	1134-1565-06	Distans	Spacer				
14	1	1	1	1	9997-0840-16	Skruv	Screw				
15	1	1	1	1	9747-0831-02	Mutter	Lock nut				
16	1	1	1	1	1134-5179-01	Spärr	Catch				
17	1	1	1	1	9675-0012-02	Starlock	Locking washer				
18	2	2	2	2	1134-0240-00	Ansatsskruv	Shoulder screw				
19	2	2	2	2	1134-4620-01	Fjädermutter	Spring nut				
22	4	4	4	4	1134-6078-01	Ansatsbricka	Flange washer				
23	4	4	4	4	9959-0820-16	Skruv	Screw				
30	1	1	1	1	1134-5698-01	Sitskonsol	Seat bracket				
31	1	1	1	1	1134-4256-01	Sitsfjäder	Seat spring				
32	1	1	1	1	9924-1235-19	Skruv	Screw				
33	1	1	1	1	9747-1231-02	Låsmutter	Lock nut				
34	1	1	1	1	1134-3990-01	Armsvep	Attachment-side panel				
35	2	2	2	2	9897-0820-16	Skruv	Screw				
36	2	2	2	2	9739-0831-22	Mutter	Nut				
37	1	1	1	1	1134-4130-01	Lock- undre	Cover-lower				
38	4	4	4	4	9840-8019-16	Skruv	Screw				
40	2	2	2	2	9897-0880-12	Skruv	Screw				
41	2	2	2	2	1134-1565-08	Distans	Spacer				
42	4	4	4	4	9897-0820-16	Skruv	Screw				
43	6	6	6	6	9747-0831-02	Mutter	Lock nut				



Utgåva Issue		Bildnr Picture No		PARK DIESEL 4WD SITS		PARK DIESEL 4WD SEAT		Sida Page	
2007- 11		2032A						68	
Pos. Fig.	Antal/Quantity				Art nr Part No	Benämning	Description	Sats Kit	Anmärkning Notes
	6181								
X 2	1				1134-6445-01	Sits	Seat.....		
3	1				1134-4225-01	Armstöd kpl.....	Arm rests assy.....		
3A	6				1134-5095-01	• Skruv	• Button head screw		
3B	6				1134-5096-01	• Mutter.....	• Tab nut		
3C	2				9988-3713-16	• Skruv	• Screw		L = 13 mm
3D	2				9988-3745-12	• Skruv	• Screw		L = 45 mm
3E	4				1134-5094-01	• Distans	• Spacer.....		
3F	2				9795-3731-02	• Mutter.....	• Nut		
3G	2				1134-5879-01	• Armstödsdyna	• Arm rest pad		
4	2				9897-0880-12	Skruv.....	Screw.....		L = 80 mm
5	4				9897-0820-16	Skruv.....	Screw.....		L = 20 mm
6	6				9747-0831-02	Mutter.....	Lock nut.....		
X 7	1				1134-5695-02	Sitskonsol.....	Seat bracket		
8	1				1134-6080-01	Platta- övre	Plate- upper		
9	2				1134-6076-01	Länkarm	Pivot link		
10	2				1134-0240-00	Ansatsskruv.....	Shoulder screw.....		
13	2				9747-0831-02	Mutter.....	Lock nut.....		
14	4				1134-4084-01	Glidsko	Slide block		
15	4				9939-0816-16	Skruv	Screw.....		
16	2				1134-4082-03	Axel	Shaft		
17	4				9959-0820-16	Skruv	Screw.....		
18	2				1134-4160-01	Fjäder.....	Seat spring.....		
19	1				1134-4153-01	Tryckpinne.....	Push pin.....		
20	1				1134-4159-01	Fjäder.....	Spring		
21	1				9699-0056-02	Planbricka.....	Flat washer.....		
22	1				9747-0831-02	Mutter.....	Lock nut.....		
23	1				1134-6090-01	Glidplatta	Slide plate		
24	2				1134-0240-00	Ansatsskruv.....	Shoulder screw.....		
26	1				1134-6121-01	Svep	Cover		
27	3				9852-8013-16	Skruv	Screw.....		
28	1				1134-3156-01	Brytare (svart)	Switch (black).....		
29	1				1134-3990-01	Armsvep	Attachment- side panel.....		
30	2				9897-0820-16	Skruv	Screw.....		
31	2				9739-0831-22	Mutter.....	Nut		
32	1				1134-4130-01	Lock- undre	Cover- lower.....		
33	4				9840-8019-16	Skruv	Screw.....		
34	1				1134-4135-01	Relåhållare.....	Relay holder.....		
35	2				9632-0522-00	Popnit	Pop rivet		
36	1				9699-0087-02	Planbricka.....	Flat washer.....		
37	2				1134-1565-08	Distans	Spacer.....		
38	1				1134-3262-01	Tryckfjäder.....	Compression spring.....		
39	1				1134-6073-01	Handtag	Handle.....		
40	1				9893-0616-16	Skruv	Screw.....		
41	1				9747-0631-02	Låsmutter	Lock nut.....		
42	1				1134-6071-01	Glidplatta- undre	Slide plate- lower.....		
43	4				1134-6078-01	Ansatsbricka.....	Flange washer.....		
44	4				9959-0820-16	Skruv	Screw.....		



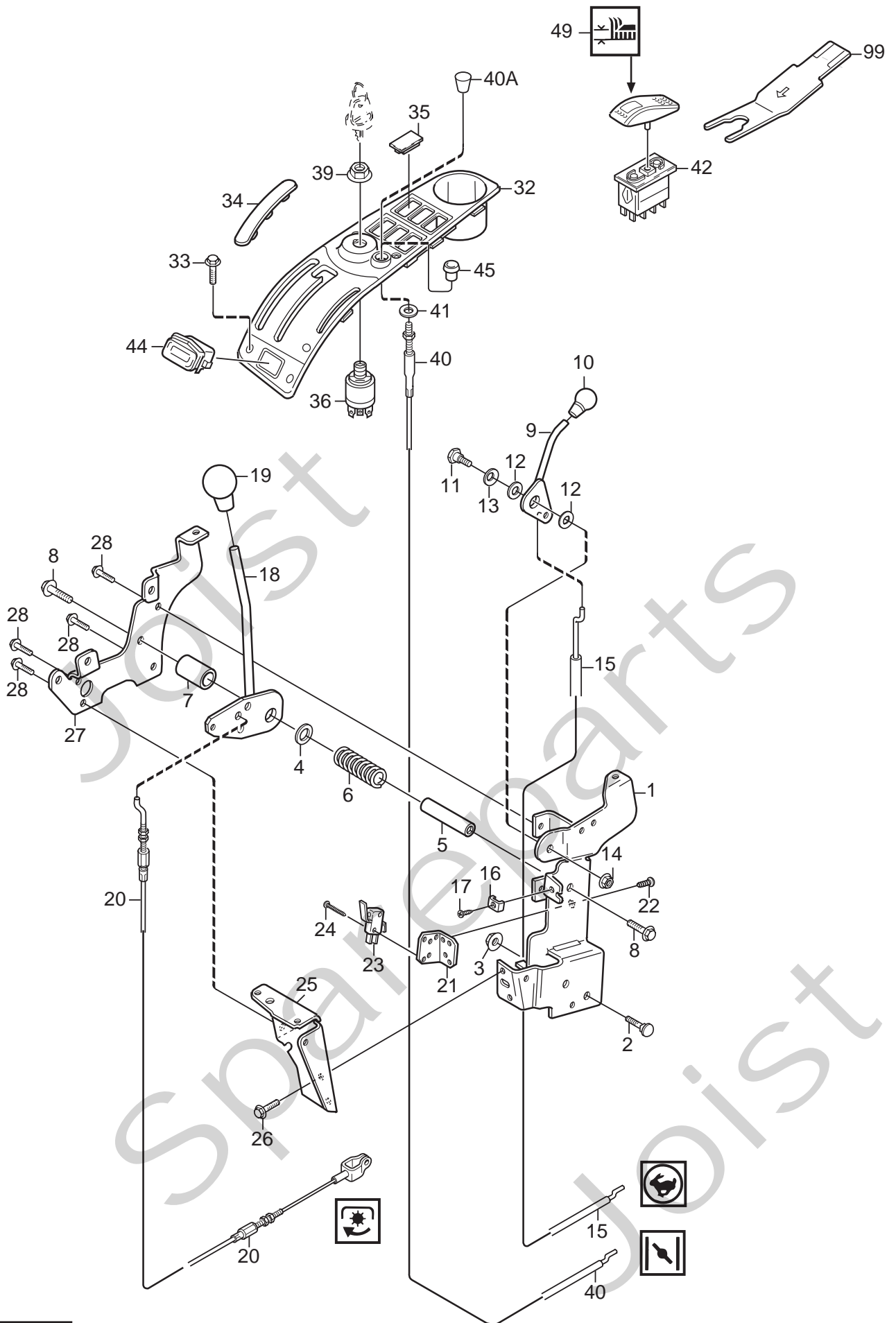
Utgåva Issue 2007- 11		Bildnr Picture No 1024B		PARK PRESIDENT-UNLIMITED STYRNING		PARK PRESIDENT-UNLIMITED STEERING		Sida Page 70	
Pos. Fig.	Antal/Quantity				Art nr Part No	Benämning	Description	Sats Kit	Anmärkning Notes
	6184								
X	1	1			1134-6374-06	Kedja	Chain.....		83 länk Sats vä+hö/kit L+H
	2	1			1134-9084-01	Styrwire kpl (vä+hö)	Steering cable assy		
X	4	2			1134-2824-02	Kedjelås	Chain lock		
	5	2			1134-3817-01	Tryckfjäder	Compression spring.....		
	6	2			9699-0090-02	Planbricka.....	Flat washer.....		
	7	2			9747-0831-02	Mutter.....	Lock nut.....		
	8	4			1134-2816-01	Kedjehjul.....	Sprocket.....		
	9	4			1134-0041-02	Linhjulshylsa	Idler wheel bush.....		
	10	4			9699-0035-02	Planbricka.....	Flat washer.....		
	11	2			9997-1050-16	Skruv	Screw.....		
	12	2			9897-1040-12	Skruv	Screw.....		
	13	4			9739-1031-22	Mutter.....	Nut		
	14	2			1134-9025-01	Linhjul- sats	Steering pulley- kit		Sats 2 st/kit of 2
	15	2			1134-0041-01	Linhjulshylsa	Bushing.....		
	16	2			1134-3022-01	Linhållare.....	Cable holder		
	17	2			9997-1030-16	Skruv	Screw.....		
	18	2			9739-1031-22	Mutter.....	Nut		
	19	1			1134-4120-03	Styrkonsol	Steering console		
	20	4			9897-0820-16	Skruv	Screw.....		
	21	4			9739-0831-22	Mutter.....	Nut		
	22	1			1134-1305-03	Rattrör- nedre	Steering column- lower		
	23	2			1134-1901-01	Lager	Bearing.....		
	24	2			9893-0616-16	Skruv	Screw.....		
	25	1			1134-2821-01	Rattstång	Steering rod		
	26	1			1134-2837-01	Distans	Spacer		
	30	1			1134-5173-01	Ratt.....	Steering wheel		
	31	1			1134-5216-01	Rattrör- inre kpl	Steering tube- inner.....		
	32	1			1134-5177-01	• Slid	• Slide.....		
	33	1			9710-0631-12	• Fyrkantmutter	• Square nut		
	34	1			1134-4481-02	Vingmutter.....	Wing nut		
	35	1			9997-0630-12	Skruv	Screw.....		



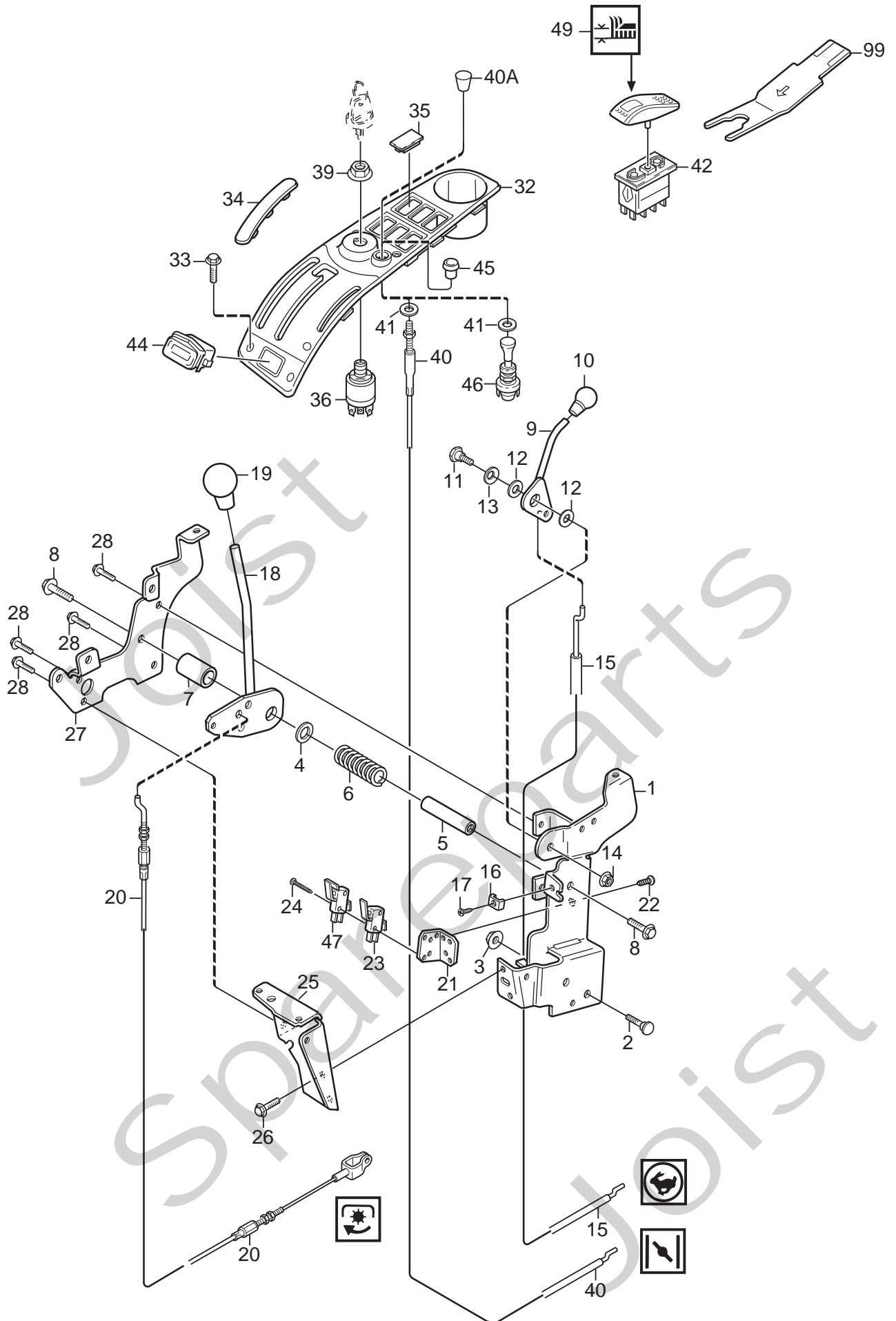
Utgåva Issue		Bildnr Picture No		PARK POWER STYRNING		PARK POWER STEERING		Sida Page	
2007- 11		1025C						72	
Pos. Fig.	Antal/Quantity				Art nr Part No	Benämning	Description	Sats Kit	Anmärkning Notes
	6187								
X	1	1			1134-6374-06	Kedja	Chain		83 länk
X	2	3			1134-6374-02	Kedja	Chain		41 länk
X	3	1			1134-6374-04	Kedja	Chain		45 länk
	4	2			1134-3550-01	Ändnippel	End nipple		
	5	4			1134-3565-01	Skarvnippel.....	Connection nipple		
X	6	10			1134-2824-02	Kedjelås	Chain lock		
	7	2			1134-3817-01	Tryckfjäder.....	Compression spring.....		
	8	2			9699-0090-02	Planbricka.....	Flat washer.....		
	9	2			9747-0831-02	Mutter.....	Lock nut.....		
	10	4			1134-2816-01	Kedjehjul.....	Sprocket.....		
	11	4			1134-0041-02	Linhjulshylsa	Idler wheel bush.....		
	12	4			9699-0035-02	Planbricka.....	Flat washer.....		
	13	2			9997-1050-16	Skruv	Screw		
	14	2			9897-1040-12	Skruv	Screw		
	15	4			9739-1031-22	Mutter.....	Nut		
	16	3			1134-3547-01	Kedjehjul.....	Sprocket.....		
	17	2			1134-0041-01	Linhjulshylsa	Bushing.....		
	18	2			1134-3022-01	Linhållare.....	Cable holder		
	19	2			9997-1030-16	Skruv	Screw		
	20	2			9739-1031-22	Mutter.....	Nut		
	21	1			1134-4120-04	Styrkonsol	Steering console		
	22	4			9897-0820-16	Skruv	Screw		
	23	4			9739-0831-22	Mutter.....	Nut		
	24	1			1134-1305-03	Rattör- nedre	Steering column- lower		
	25	2			1134-1901-01	Lager	Bearing.....		
	26	2			9893-0616-16	Skruv	Screw		
	27	1			1134-2821-01	Rattstång	Steering rod		
	28	1			1134-2837-01	Distans	Spacer		
	30	1			1134-5173-01	Ratt.....	Steering wheel		
	31	1			1134-5216-01	Rattör- inre kpl	Steering tube- inner.....		
	32	1			1134-5177-01	• Slid	• Slide.....		
	33	1			9710-0631-12	• Fyrkantmutter	• Square nut		
	34	1			1134-4481-02	Vingmutter.....	Wing nut		
	35	1			9997-0630-12	Skruv	Screw		

Utgåva Issue		Bildnr Picture No		PARK COMFORT- ROYAL- DIESEL EXCELLENT- PRESTIGE STYRNING		PARK COMFORT- ROYAL- DIESEL EXCELLENT- PRESTIGE STEERING		Sida Page	
2007- 11		1787A						74	
Pos. Fig.	Antal/Quantity			Art nr Part No	Benämning	Description	Sats Kit	Anmärkning Notes	
	6180	6185							
	6182	6189							
	6183	6191							
	6190	6192							
X	1	1	1	1134- 6374- 10	Kedja	Chain		129 länk	
X	2	2	2	1134- 6374- 09	Kedja	Chain		35 länk	
X	3	1	1	1134- 6374- 02	Kedja	Chain		41 länk	
X	4	1	1	1134- 6374- 05	Kedja	Chain		47 länk	
	5A	1	1	1134- 3550- 01	Ändnippel	End nipple		L = 110 mm	
	5B	1	1	1134- 3550- 02	Ändnippel	End nipple		L = 90 mm	
	6	4	4	1134- 3565- 01	Skarvnippel	Connection nipple			
X	7	12	12	1134- 2824- 02	Kedjelås	Chain lock			
	8	2	2	1134- 5652- 01	Fäste	Attachment			
	9	4	4	1134- 5651- 01	Bygel	Bracket			
	10	2	2	1134- 2816- 01	Kedjehjul	Sprocket			
	11	2	2	1134- 0041- 02	Linhjulshylsa	Idler wheel bush			
	12	2	2	1134- 4817- 01	Kolvstängssprint	Pin			
	13	2	2	9699- 0035- 02	Planbricka	Flat washer			
	14	2	2	9599- 0054- 02	Saxpinne	Cotter pin			
	15A	1	1	1134- 3817- 01	Tryckfjäder	Compression spring		L = 58 mm	
	15B	1	1	1134- 3817- 02	Tryckfjäder	Compression spring		L = 33 mm	
	16	2	2	9699- 0090- 02	Planbricka	Flat washer			
	17	2	2	9747- 0831- 02	Mutter	Lock nut			
	18	4	4	1134- 2816- 01	Kedjehjul	Sprocket			
	19	4	4	1134- 5653- 01	Distans	Spacer			
	20	2	2	9699- 0035- 02	Planbricka	Flat washer			
	21	2	2	9997- 1060- 12	Skruv	Screw			
	22	2	2	9739- 1031- 22	Mutter	Nut			
	23	2	2	9897- 1060- 12	Skruv	Screw			
X	24	2	2	9731- 1031- 22	Mutter	Nut			
	25	3	3	1134- 3547- 01	Kedjehjul	Sprocket			
	26	2	2	1134- 0041- 01	Linhjulshylsa	Bushing			
	27	2	2	1134- 3022- 01	Linhållare	Cable holder			
	28	2	2	9997- 1040- 16	Skruv	Screw			
	29	2	2	9699- 0035- 02	Planbricka	Flat washer			
	30	2	2	9739- 1031- 22	Mutter	Nut			
	31	1	1	1134- 4120- 04	Styrkonsol	Steering console			
	32	4	4	9897- 0820- 16	Skruv	Screw			
	33	4	4	9739- 0831- 22	Mutter	Nut			
	34	1	1	1134- 1305- 03	Rattrör- nedre	Steering column- lower			
	35	2	2	1134- 1901- 01	Lager	Bearing			
	36	1	1	1134- 2821- 04	Rattstång	Steering rod			
	41	2	2	9893- 0616- 16	Skruv	Screw			
	42	1	1	1134- 2837- 03	Distans	Spacer			
	52		1	1134- 5173- 01	Ratt	Steering wheel			
	52	1		1134- 5173- 02	Ratt kpl	Steering wheel assy			
	53	1		1134- 3769- 01	• Styrknopp kpl	• Steering wheel button			
	54	1		1134- 3752- 01	•• Knoppfäste	•• Knob holder			
	55	1		9997- 0870- 16	•• Skruv	•• Screw			
	56	1		1134- 1565- 06	•• Distans	•• Spacer			
	57	3		9699- 0090- 02	•• Planbricka	•• Flat washer			
	58	1		9747- 0831- 02	•• Mutter	•• Lock nut			
	59	1		9403- 0043- 70	•• Plugg	•• Plug			
	60	1		9403- 0113- 00	•• Mutterhatt	•• Nut cap			
	63	1	1	1134- 5216- 01	Rattrör- inre kpl	Steering tube- inner			
	64	1	1	1134- 5177- 01	• Slid	• Slide			
	65	1	1	9710- 0631- 12	• Fyrkantmutter	• Square nut			
	66	1	1	1134- 4481- 02	Vingmutter	Wing nut			
	67	1	1	9997- 0630- 12	Skruv	Screw			

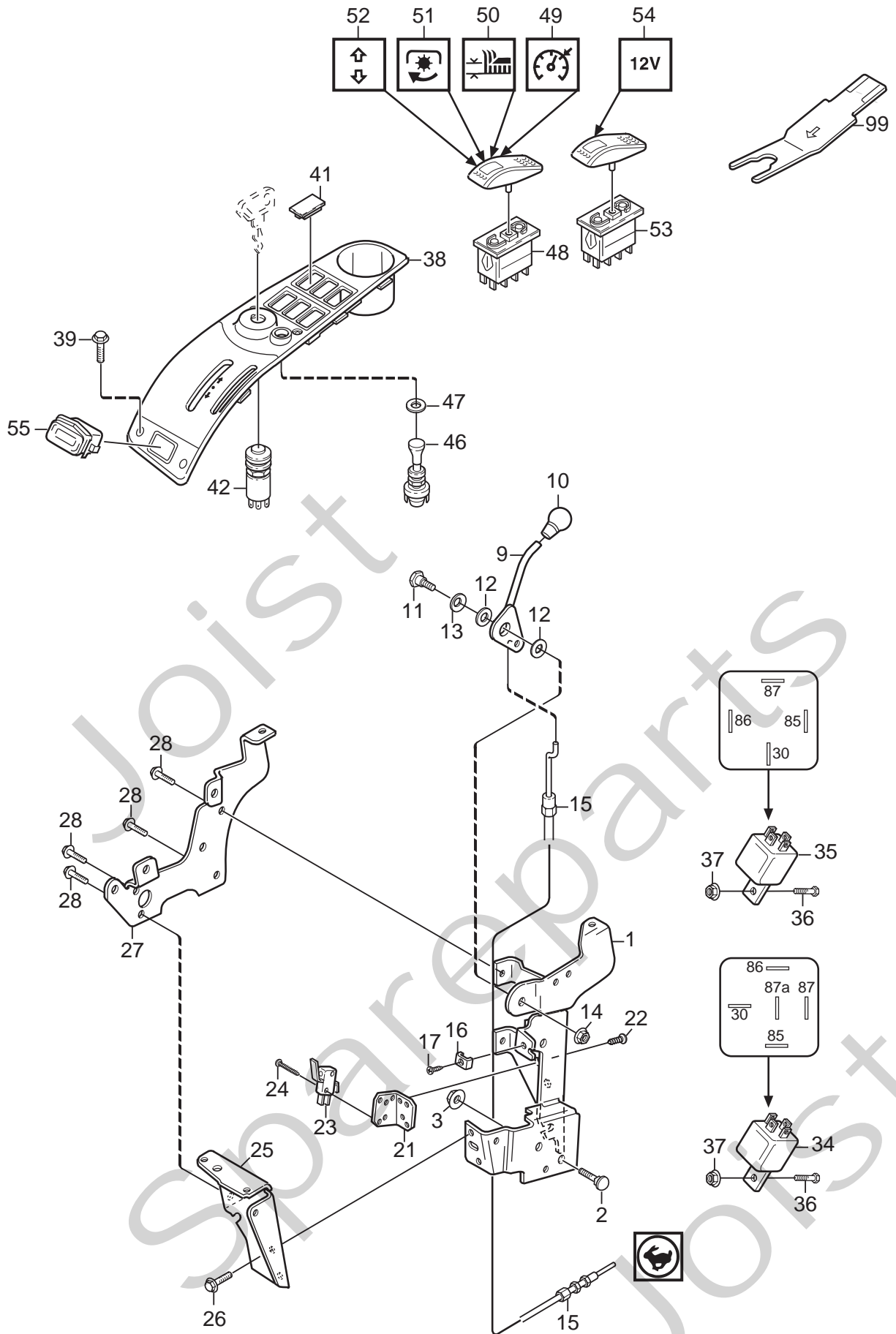
Utgåva Issue		Bildnr Picture No		PARK DIESEL 4WD STYRNING		PARK DIESEL 4WD STEERING		Sida Page	
2007- 11		2204						76	
Pos. Fig.	Antal/Quantity				Art nr Part No	Benämning	Description	Sats Kit	Anmärkning Notes
	6181								
X	1	1			1134-6374-06	Kedja	Chain		83 länk
X	2	3			1134-6374-02	Kedja	Chain		41 länk
X	3	1			1134-6374-04	Kedja	Chain		45 länk
	4A	1			1134-3550-01	Ändnippel	End nipple		L = 110 mm
	4B	1			1134-3550-02	Ändnippel	End nipple		L = 90 mm
	5	4			1134-3565-01	Skarvnippel	Connection nipple		
X	6	10			1134-2824-02	Kedjelås	Chain lock		
	7	2			1134-3817-02	Tryckfjäder	Compression spring		
	8	2			9699-0090-02	Planbricka	Flat washer		
	9	2			9747-0831-02	Mutter	Lock nut		
	10	4			1134-2816-01	Kedjehjul	Sprocket		
	11	4			1134-0041-02	Linhjulshylsa	Idler wheel bush		
	12	4			9699-0035-02	Planbricka	Flat washer		
	13	2			9997-1050-16	Skruv	Screw		
	14	2			9897-1040-12	Skruv	Screw		
	15	4			9739-1031-22	Mutter	Nut		
	16	3			1134-3547-01	Kedjehjul	Sprocket		
	17	2			1134-0041-01	Linhjulshylsa	Bushing		
	18	2			1134-3022-01	Linhållare	Cable holder		
	19	2			9997-1030-16	Skruv	Screw		
	20	2			9739-1031-22	Mutter	Nut		
	21	1			1134-4120-04	Styrkonsol	Steering console		
	22	4			9897-0820-16	Skruv	Screw		
	23	4			9739-0831-22	Mutter	Nut		
	24	1			1134-4113-02	Rattrör- nedre	Steering tube- lower		
	25	1			9549-0017-00	Kullager	Ball bearing		
	26	1			9945-0816-16	Skruv	Screw		
	27	1			1134-4087-01	Rattstång	Steering rod		
	28	1			1134-4114-01	Bussning	Bushing		
	29	1			1134-4118-01	Koppling	Coupling		
	30	2			9595-0256-01	Spännstift	Pin		
	31	1			9695-0011-00	Bricka	Washer		
	32	1			1134-5173-02	Ratt kpl	Steering wheel assy		
	33	1			1134-3769-01	• Styrknopp kpl	• Steering wheel button		
	34	1			1134-3752-01	•• Knoppfäste	•• Knob holder		
	35	1			9997-0870-16	•• Skruv	•• Screw		
	36	1			1134-1565-06	•• Distans	•• Spacer		
	37	3			9699-0090-02	•• Planbricka	•• Flat washer		
	38	1			9747-0831-02	•• Mutter	•• Lock nut		
	39	1			9403-0043-70	•• Plugg	•• Plug		
	40	1			9403-0113-00	•• Mutterhatt	•• Nut cap		
X	42	1			1134-6420-01	Momentförstärkare	Steering booster		
	42A	1			1139-2074-01	Reparationssats	Seal kit		
	43	3			9939-0612-16	Skruv	Screw		
	48	1			1134-5098-01	Hydraulslang	Hydraulic tube		L = 1690 mm
	48A	1			1134-4282-01	Hydraulnippel	Hydraulic nipple		9/16" x 9/16"
	48B	1			9404-0028-01	• O-ring	• O-ring		
X	50	1			1134-6295-01	Hydraulslang	Hydraulic tube		L = 1350 mm
	51	2			1134-5100-01	Banjokoppling	Banjo nipple		
	53	1			1134-5216-01	Rattrör- inre kpl	Steering tube- inner		
	54	1			1134-5177-01	• Slid	• Slide		
	55	1			9710-0631-12	• Fyrkantmutter	• Square nut		
	56	1			1134-4481-02	Vingmutter	Wing nut		
	57	1			9997-0630-12	Skruv	Screw		



Utgåva Issue 2007- 11		Bildnr Picture No 1991D			PARK PRESIDENT-UNLIMITED POWER- EXCELLENT HANDREGLAGE		PARK PRESIDENT-UNLIMITED POWER- EXCELLENT HAND CONTROLS		Sida Page 78	
Pos. Fig.	Antal/Quantity				Art nr Part No	Benämning	Description	Sats Kit	Anmärkning Notes	
	6184	6187	6189	6190 6191 6192						
1	1	1	1	1	1134-4156-01	Vinkelhållare	Panel bracket- inner			
2	2	2	2	2	9897-0820-16	Skruv	Screw			
3	2	2	2	2	9739-0831-22	Mutter	Nut			
4	1	1	1	1	9695-0011-00	Bricka	Washer			
5	1	1	1	1	1134-4065-01	Reglageaxel	Control shaft			
6	1	1	1	1	1134-4079-01	Fjäder	Spring			
7	1	1	1	1	1134-4080-03	Reglagehylsa	Control sleeve			
8	2	2	2	2	9959-0820-16	Skruv	Screw			
9	1	1	1	1	1134-4077-01	Gasreglage	Throttle control			
10	1	1	1	1	1134-4078-01	Knopp	Knob			
11	1	1	1	1	1134-0240-00	Ansatsskruv	Shoulder screw			
12	2	2	2	2	1134-4242-01	Distansbricka	Spacer washer			
13	1	1	1	1	9694-0001-00	Fjäderbricka	Washer			
14	1	1	1	1	9747-0831-02	Mutter	Lock nut			
15				1	1134-4195-01	Gaswire	Throttle cable		L1 = 1413 mm	
15				1	1134-4195-02	Gaswire	Throttle cable		L1 = 1390 mm	
15	1	1			1134-4195-04	Gaswire	Throttle cable		L1 = 1070 mm	
15	1				1134-4197-01	Gaswire	Throttle cable		L1 = 925 mm	
16	1	1	1	1	9500-9991-00	Wireklämma	Cable clamp			
17	1	1	1	1	9943-0516-16	Skruv	Screw			
18	1	1	1	1	1134-4072-01	Aggregatspak	Control lever			
19	1	1	1	1	1134-2551-01	Reglageknopp	Knob			
20	1	1	1	1	1134-3573-03	Wire	PTO cable			
21	1	1	1	1	1134-5358-01	Brytarfäste	Switch bracket			
22	2	2	2	2	9852-8013-16	Skruv	Screw			
23	1	1	1	1	9400-0285-01	Microbrytare	Switch			
24	2	2	2	2	9840-7716-16	Skruv	Screw		L = 16 mm	
25	1	1	1	1	1134-6328-01	Frontfäste	Panel bracket- front			
26	2	2	2	2	9893-0616-16	Skruv	Screw			
27	1	1	1	1	1134-6327-01	Frontplåt	Front plate			
28	4	4	4	4	9893-0616-16	Skruv	Screw			
32		1	1	1	1134-6096-02	Kassett	Dashboard			
32	1				1134-6096-05	Kassett	Dashboard			
33	4	4	4	4	9946-0525-16	Skruv	Screw			
34	1	1	1	1	1134-4154-01	Täckbricka	Cover			
35	6	6	5	5	1134-4129-01	Täckbricka	Cover			
36	1	1	1	1	1134-4093-01	Tändningslås	Ignition switch			
39	1	1	1	1	1134-4749-01	Mutter	Nut			
40				1	1134-2872-02	Chokereglage	Choke control			
40				1	1134-2872-03	Chokereglage	Choke control			
40		1			1134-2872-05	Chokereglage	Choke control			
40A		1	1	1	1134-4338-01	Reglageknopp	Control knob			
41		1	1	1	9699-0090-02	Planbricka	Flat washer			
42			1	1	9400-0282-01	Brytare m. diod	Switch w. diode			
44	1	1	1	1	1134-6097-01	Timräknare	Hour meter			
45	1			1	1134-4100-01	Täckpropp	Plug			
49			1	1	9400-0280-03	Vippa- höjdställning	Cover- height adjust			
99			1	1	9400-0290-01	Verktyg f. vippa	Tool for cover			

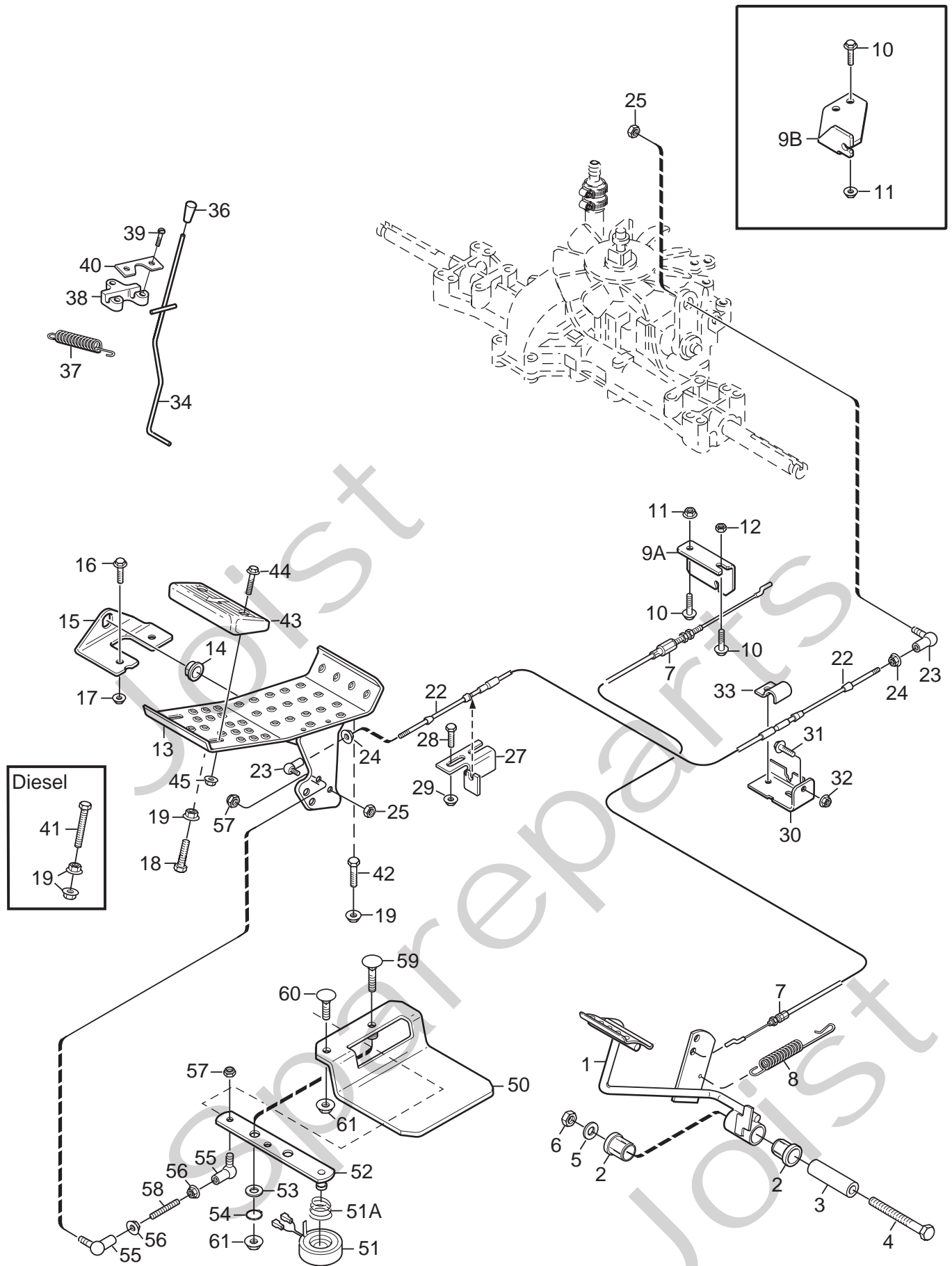


Utgåva Issue 2007- 11		Bildnr Picture No 1991C		PARK COMFORT- ROYAL- DIESEL PRESTIGE HANDREGLAGE		PARK COMFORT- ROYAL- DIESEL PRESTIGE HAND CONTROLS		Sida Page 80	
Pos. Fig.	Antal/Quantity				Art nr Part No	Benämning	Description	Sats Kit	Anmärkning Notes
	6182	6183	6180	6185					
1	1	1	1	1	1134-4156-01	Vinkelhållare	Panel bracket- inner		
2	2	2	2	2	9897-0820-16	Skruv	Screw		
3	2	2	2	2	9739-0831-22	Mutter	Nut		
4	1	1	1	1	9695-0011-00	Bricka	Washer		
5	1	1	1	1	1134-4065-01	Reglageaxel	Control shaft		
6	1	1	1	1	1134-4079-01	Fjäder	Spring		
7	1	1	1	1	1134-4080-03	Reglagehylsa	Control sleeve		
8	2	2	2	2	9959-0820-16	Skruv	Screw		
9	1	1	1	1	1134-4077-01	Gasreglage	Throttle control		
10	1	1	1	1	1134-4078-01	Knopp	Knob		
11	1	1	1	1	1134-0240-00	Ansatsskruv	Shoulder screw		
12	2	2	2	2	1134-4242-01	Distansbricka	Spacer washer		
13	1	1	1	1	9694-0001-00	Fjäderbricka	Washer		
14	1	1	1	1	9747-0831-02	Mutter	Lock nut		
15			1		1134-4195-01	Gaswire	Throttle cable		L1 = 1413 mm
15				1	1134-4195-04	Gaswire	Throttle cable		L1 = 1070 mm
15	1				1134-4197-01	Gaswire	Throttle cable		L1 = 925 mm
15			1		1134-4923-01	Gaswire	Throttle cable		L1 = 880 mm
16	1	1	1	1	9500-9991-00	Wireklämma	Cable clamp		
17	1	1	1	1	9943-0516-16	Skruv	Screw		
18	1	1	1	1	1134-4072-01	Aggregatspak	Control lever		
19	1	1	1	1	1134-2551-01	Reglageknopp	Knob		
20	1	1	1	1	1134-3573-03	Wire	PTO cable		
21	1	1	1	1	1134-5358-01	Brytarfäste	Switch bracket		
22	2	2	2	2	9852-8013-16	Skruv	Screw		
23	1	1	1	1	9400-0285-01	Microbrytare	Switch		
24	2	2	2	2	9840-7716-16	Skruv	Screw		L = 16 mm
24			2		9847-7732-16	Skruv	Screw		L = 32 mm
X 25	1	1	1	1	1134-6328-01	Frontfäste	Panel bracket- front		
26	2	2	2	2	9893-0616-16	Skruv	Screw		
X 27	1	1	1	1	1134-6327-01	Frontplåt	Front plate		
28	4	4	4	4	9893-0616-16	Skruv	Screw		
32	1	1	1	1	1134-6096-02	Kassett	Dashboard		
32	1	1	1	1	1134-6096-05	Kassett	Dashboard		
33	4	4	4	4	9946-0525-16	Skruv	Screw		
34	1	1	1	1	1134-4154-01	Täckbricka	Cover		
35	5	5	5	5	1134-4129-01	Täckbricka	Cover		
36	1	1	1	1	1134-4093-01	Tändningslås	Ignition switch		
36			1		1134-4908-01	Tändningslås	Ignition switch		
39	1	1	1	1	1134-4749-01	Mutter	Nut		
40		1			1134-2872-03	Chokereglage	Choke control		
40			1		1134-2872-05	Chokereglage	Choke control		
40A		1			1134-4338-01	• Reglageknopp	• Control knob		
41		1	1	1	9699-0090-02	Planbricka	Flat washer		
42	1	1	1	1	9400-0282-01	Brytare m.diod	Switch w.diode		
44	1	1	1	1	1134-6097-01	Timräknare	Hour meter		
45	1				1134-4100-01	Täckpropp	Plug		
46			1		9400-0296-01	Dragströmbrytare	Switch		
47			1		1134-4697-02	Mikrobrytare	Switch		
49	1	1	1	1	9400-0280-03	Vippa- höjdställning	Cover- height adjust		
99	1	1	1	1	9400-0290-01	Verktyg f.vippa	Tool for cover		Tillbehör/Accessory



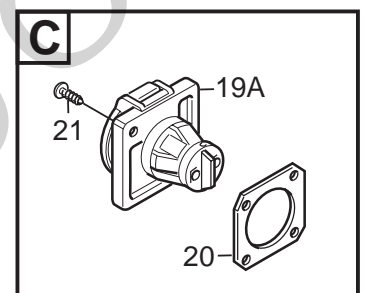
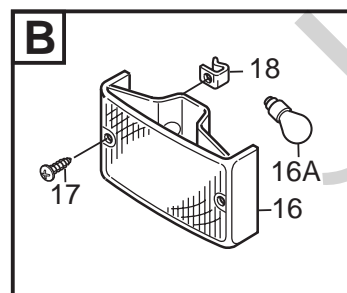
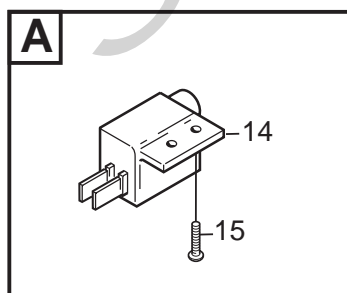
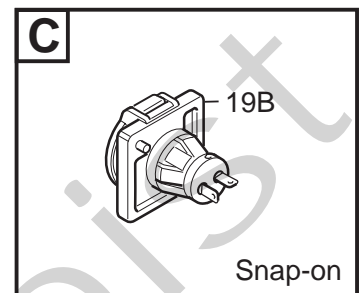
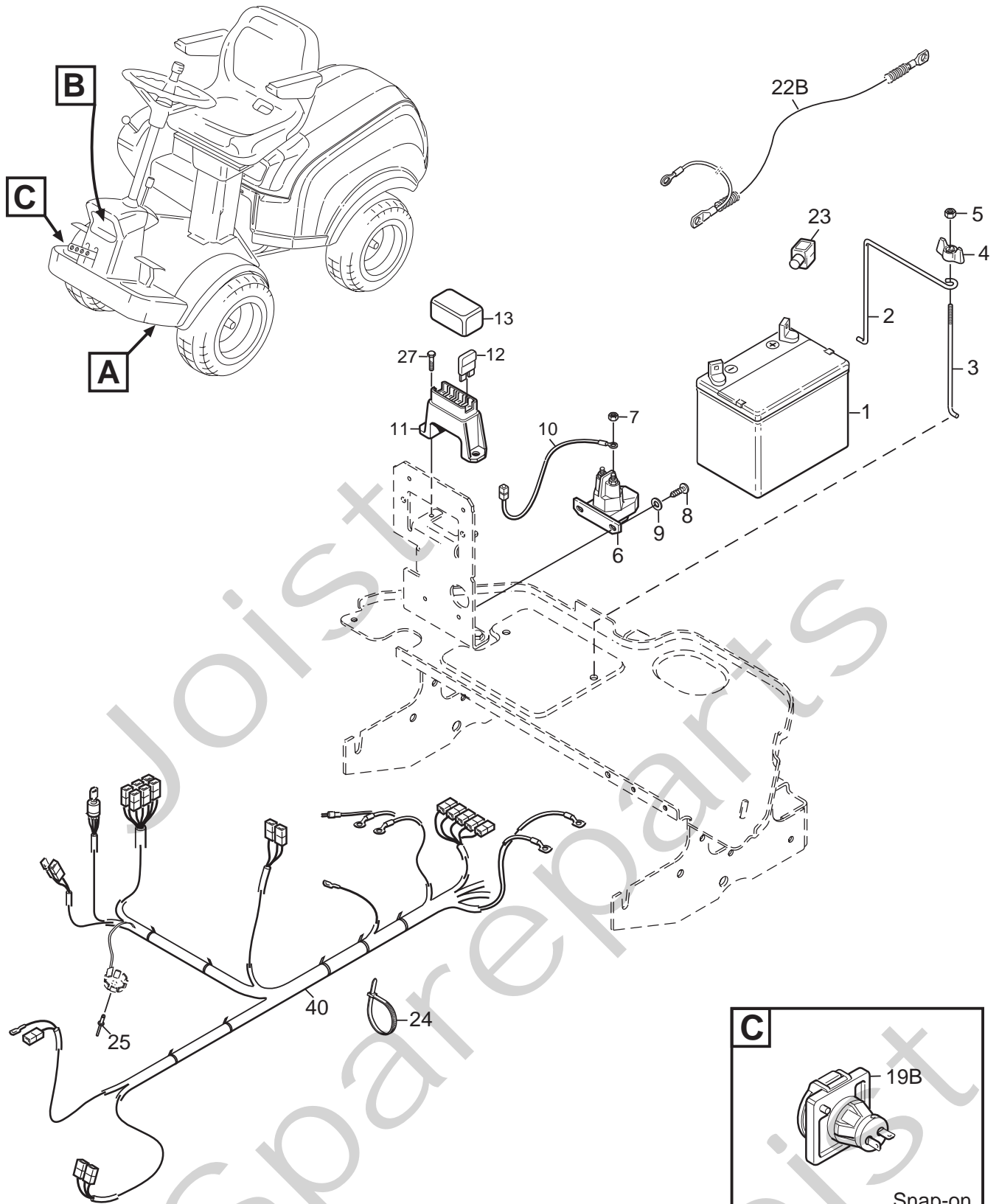
Utgåva Issue 2007- 11		Bildnr Picture No 2205		PARK DIESEL 4WD HANDREGLAGE		PARK DIESEL 4WD HAND CONTROLS		Sida Page 82	
Pos. Fig.	Antal/Quantity				Art nr Part No	Benämning	Description	Sats Kit	Anmärkning Notes
	6181								
X	1	1			1134-6324-01	Vinkelhållare	Panel bracket		
	2	2			9897-0820-16	Skruv	Screw		
	3	2			9739-0831-22	Mutter	Nut		
	9	1			1134-4077-01	Gasreglage	Throttle control		
	10	1			1134-4078-01	Knopp	Knob		
	11	1			1134-0240-00	Ansatsskruv	Shoulder screw		
	12	2			1134-4242-01	Distansbricka	Spacer washer		
	13	1			9694-0001-00	Fjäderbricka	Washer		
	14	1			9747-0831-02	Mutter	Lock nut		
	15	1			1134-4923-01	Gaswire	Throttle cable		L1 = 880 mm
	16	1			9500-9991-00	Wireklämma	Cable clamp		
	17	1			9943-0516-16	Skruv	Screw		
	21	1			1134-5358-01	Brytarfäste	Switch bracket		
	22	2			9852-8013-16	Skruv	Screw		
	23	1			9400-0285-01	Microbrytare	Switch		
	24	2			9847-7732-16	Skruv	Screw		
X	25	1			1134-6328-01	Frontfäste	Panel bracket-front		
X	26	2			9893-0616-16	Skruv	Screw		
X	27	1			1134-6327-01	Frontplåt	Front plate		
	28	4			9893-0616-16	Skruv	Screw		
	34	1			1134-2871-03	Relä	Relay		
	35	2			1134-2871-01	Relä	Relay		
	36	3			9997-0512-16	Skruv	Screw		
	37	3			9739-0531-22	Mutter	Nut		
X	38	1			1134-6096-08	Kassett	Dashboard		
	39	4			9946-0525-16	Skruv	Screw		
	41	1			1134-4129-01	Täckbricka	Cover		
	42	1			1134-4908-01	Tändningslås	Ignition switch		
	46	1			9400-0296-01	Dragströmbrytare	Switch		
	47	2			9699-0090-02	Planbricka	Flat washer		
	48	4			9400-0282-01	Brytare m.diod	Switch w.diode		
	49	1			9400-0280-02	Vippa- farthållare	Cover- cruise control		
	50	1			9400-0280-03	Vippa- höjdställning	Cover- height adjust		
	51	1			9400-0280-01	Vippa- kraftuttag	Cover- PTO		
	52	1			9400-0280-04	Vippa- bakräfsa	Cover- rear rake		
	53	1			9400-0283-01	Brytare	Switch		
	54	1			9400-0280-05	Vippa- 12V	Cover- 12V		
	55	1			1134-6097-01	Timräknare	Hour meter		
	99	1			9400-0290-01	Verktyg f.vippa	Tool for cover		Tillbehör/Accessory

Utgåva Issue 2007- 11		Bildnr Picture No 1992C		PARK 2WD FOTREGLAGE		PARK 2WD FOOT CONTROLS		Sida Page 84	
Pos. Fig.	Antal/Quantity				Art nr Part No	Benämning	Description	Sats Kit	Anmärkning Notes
	6182 6183 6190	6184 6187 6189		6180					
	1	1	1	1	1134-4247-01	Broms/kopplingspedal.....	Brake/clutch pedal.....		
	2	1	1	1	1134-9024-01	• Lager	• Bearing		Sats 4 st/kit of 4
	3	1	1	1	1134-3584-03	Broms/kopplingswire.....	Brake/clutch cable		
	4A	1	1		1134-3906-01	Wirefäste	Cable holder		
	4B			1	1134-6052-01	Wirefäste	Cable holder		
	5	3	3	3	9959-0820-16	Skruv	Screw		
	6	3	3	3	9739-0831-22	Mutter	Nut		
	7	1	1	1	1134-3974-01	Fjäder.....	Spring		
X	8	1	1	1	1134-6353-01	Drivpedal	Drive pedal		
X	9	2	2	2	1134-6313-01	Lager	Bearing.....		
	10	2	2	2	1134-2700-01	Fäste	Bracket.....		
	11	2	2	2	9959-0820-16	Skruv	Screw		
	12	2	2	2	9739-0831-22	Mutter	Nut		
	16	1	1	1	1134-2766-05	Reglagewire.....	Speed control cable		
	17	2	2	2	9570-0001-00	Vinkellänk	Elbow link		
	18	2	2	2	9739-0531-22	Mutter	Nut		
	19	2	2	2	9747-0531-02	Mutter	Nut		
X	20	1	1	1	1134-6317-01	Wirefäste	Cable holder		
	21	2	2	2	9959-0620-16	Skruv	Screw		
	22	2	2	2	9739-0631-22	Mutter	Nut		
	23	1	1	1	1134-3395-01	Fäste	Attachment.....		
	24	2	2	2	9959-0820-16	Skruv	Screw		L = 20 mm
	25	2	2	2	9739-0831-22	Mutter	Nut		
	26	1	1	1	1134-2021-01	Växelwirefäste	Clamp.....		
X	29	2	2	2	1134-6340-01	Fotstöd	Foot rest.....		
	30	4	4	4	9959-0620-16	Skruv	Screw		
	31	4	4	4	9739-0631-22	Mutter	Nut		
	48	1	1	1	1134-5101-01	Bromsstång	Brake rod		
	49	1	1	1	1134-3808-01	Knopp	Knob		
	50	1	1	1	1131-1497-01	Fjäder.....	Spring		
	51	1	1	1	1134-4002-01	Fäste	Brake rod attachment.....		
	52	3	3	3	9838-9516-12	Skruv	Screw		
	58	1	1	1	9997-0835-16	Skruv	Screw		
	59	1	1	1	9739-0831-22	Mutter	Nut		

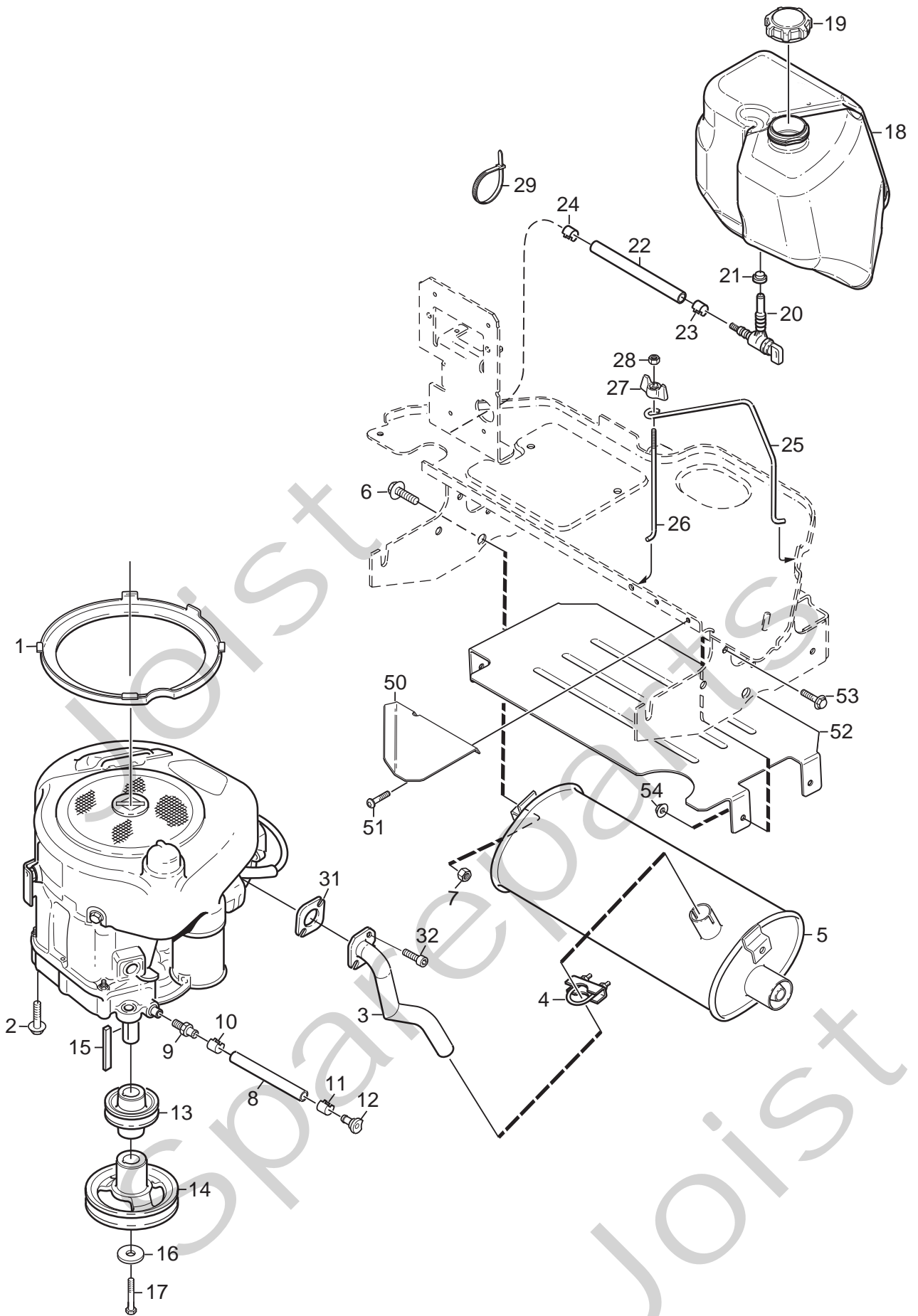


Utgåva Issue 2007- 11		Bildnr Picture No 2206		PARK 4WD PRESTIGE- DIESEL UNLTD (IT)- POWER (CZ) FOTREGLAGE		PARK 4WD PRESTIGE- DIESEL UNLTD (IT)- POWER (CZ) FOOT CONTROLS		Sida Page 86	
Pos. Fig.	Antal/Quantity			Art nr Part No	Benämning	Description	Sats Kit	Anmärkning Notes	
	6185 6191 6192	6181							
	1	1		1134- 5655- 01	Broms/kopplingspedal.....	Brake/clutch pedal.....		Sats 4 st/kit of 4	
	2	1		1134- 9024- 01	Lager.....	Bearing.....			
	3	1		1134- 5677- 02	Distans.....	Spacer.....			
	4	1		9997- 1070- 12	Skruv.....	Screw.....			
	5	1		9699- 0030- 02	Planbricka.....	Flat washer.....			
	6	1		9739- 1031- 22	Mutter.....	Nut.....			
	7	1		1134- 6005- 01	Wire.....	Cable.....			
	8	1		4231- 0013- 00	Fjäder.....	Spring.....			
	9A	1		1134- 3906- 01	Wirefäste.....	Cable holder.....			
	9B		1	1134- 6052- 01	Wirefäste.....	Cable holder.....			
	10	2	2	9959- 0820- 16	Skruv.....	Screw.....			
	11	1	2	9739- 0831- 22	Mutter.....	Nut.....			
	12	1		9747- 0831- 02	Mutter.....	Lock nut.....			
X	13	1	1	1134- 6353- 01	Drivpedal.....	Drive pedal.....			
X	14	2	2	1134- 6313- 01	Lager.....	Bearing.....			
	15	2	2	1134- 2700- 01	Fäste.....	Bracket.....			
	16	2	2	9959- 0820- 16	Skruv.....	Screw.....			
	17	2	2	9739- 0831- 22	Mutter.....	Nut.....			
	18	1		9997- 0835- 16	Skruv.....	Screw.....			
	19	1	3	9739- 0831- 22	Mutter.....	Nut.....			
	22	1	1	1134- 2766- 05	Reglagewire.....	Speed control cable.....			
	23	2	2	9570- 0001- 00	Vinkellänk.....	Elbow link.....			
	24	2	2	9739- 0531- 22	Mutter.....	Nut.....			
X	25	2	2	9747- 0531- 02	Mutter.....	Nut.....			
	27	1	1	1134- 6317- 01	Wirefäste.....	Cable holder.....			
	28	2	2	9959- 0620- 16	Skruv.....	Screw.....			
	29	2	2	9739- 0631- 22	Mutter.....	Nut.....			
	30	1	1	1134- 3395- 01	Fäste.....	Attachment.....			
	31	2	2	9959- 0820- 16	Skruv.....	Screw.....			
	32	2	2	9739- 0831- 22	Mutter.....	Nut.....			
	33	1	1	1134- 2021- 01	Växelwirefäste.....	Clamp.....			
	34	1	1	1134- 5101- 01	Bromsstång.....	Brake rod.....			
	36	1	1	1134- 3808- 01	Knopp.....	Knob.....			
	37	1	1	1131- 1497- 01	Fjäder.....	Spring.....			
	38	1	1	1134- 4002- 01	Fäste.....	Brake rod attachment.....			
	39	3	3	9838- 9516- 12	Skruv.....	Screw.....			
	40		1	1134- 4944- 01	Plåt.....	Stop plate.....			
	41		1	9997- 0870- 16	Skruv.....	Screw.....			
	42		1	9959- 0820- 16	Skruv.....	Screw.....			
X	43	2	2	1134- 6340- 01	Fotstöd.....	Foot rest.....			
	44	4	4	9959- 0620- 16	Skruv.....	Screw.....			
	45	4	4	9739- 0631- 22	Mutter.....	Nut.....			
X	50		1	1134- 6356- 01	Farthållarplåt.....	Speed control plate.....			
X	51		1	1134- 2859- 02	Magnet kpl.....	Magneto assy.....			
	51A		1	1134- 2858- 01	• Fjäder.....	• Spring.....			
X	52		1	1134- 6358- 01	Arm.....	Lever.....			
	53		1	9699- 0036- 02	Planbricka.....	Flat washer.....			
	54		1	9650- 0012- 04	Seegersäkkring.....	Circlip.....			
	55		2	9570- 0001- 00	Vinkellänk.....	Elbow link.....			
	56		2	9739- 0531- 22	Mutter.....	Nut.....			
	57		2	9747- 0531- 02	Mutter.....	Nut.....			
X	58		1	1134- 6361- 02	Skruvstång.....	Screw rod.....			
	59		1	9897- 0640- 12	Skruv.....	Screw.....	L = 40 mm		
	60		1	9897- 0616- 16	Vagnsbult.....	Carriage bolt.....	L = 16 mm		
	61		2	9739- 0631- 22	Mutter.....	Nut.....			

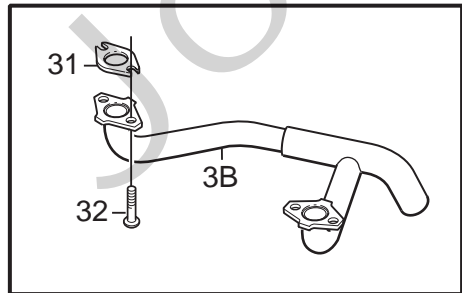
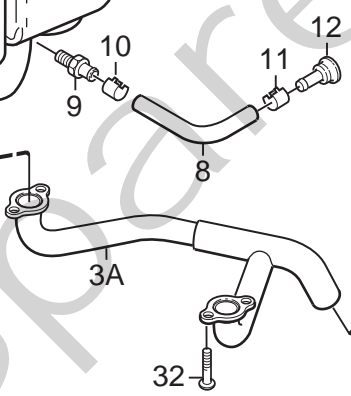
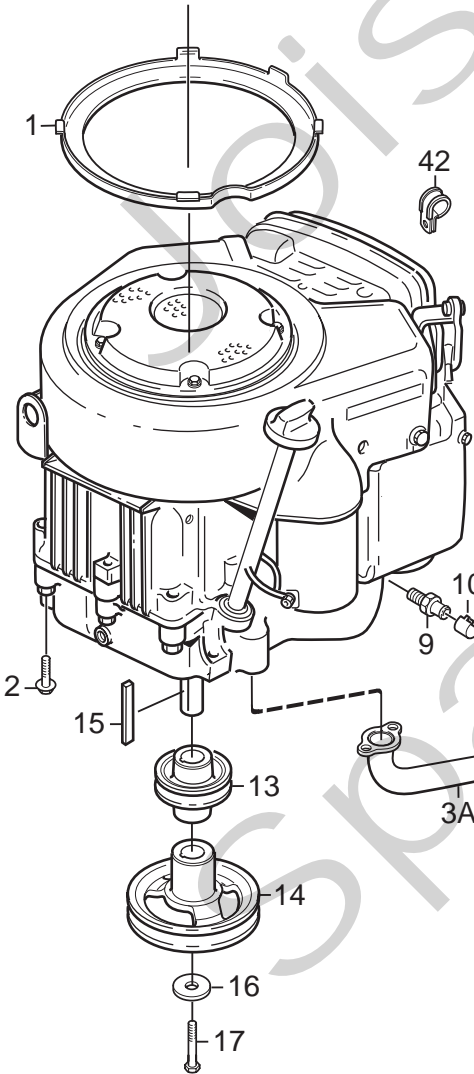
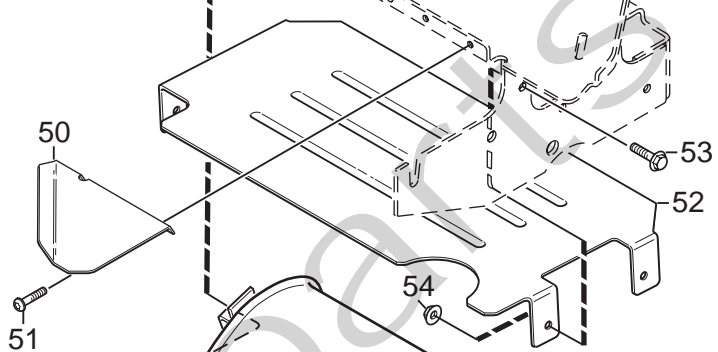
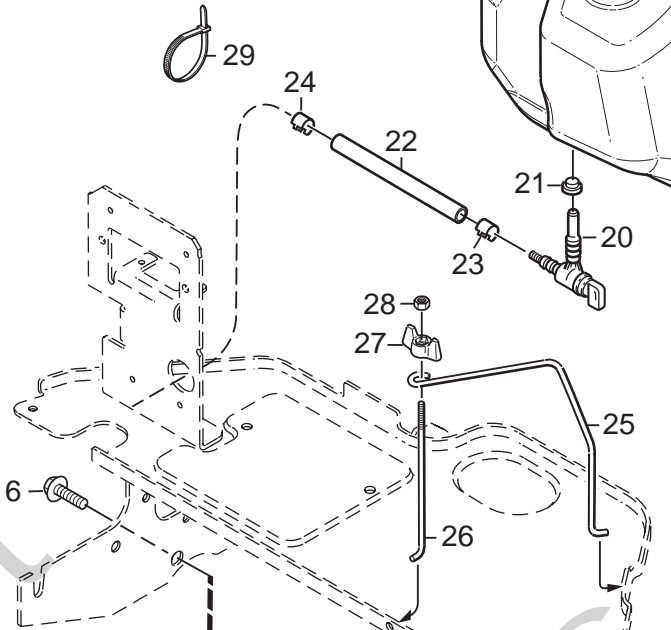
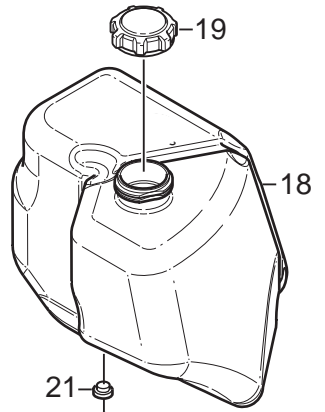
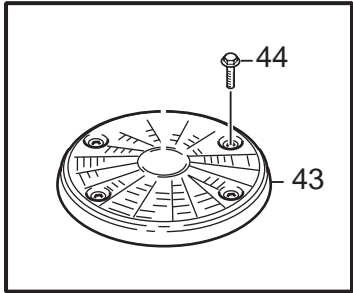
Utgåva Issue 2007- 11		Bildnr Picture No 2020A				PARK BENSIN ELUTRUSTNING		PARK PETROL EL. EQUIPMENT		Sida Page 88	
Pos. Fig.	Antal/Quantity					Art nr Part No	Benämning	Description	Sats Kit	Anmärkning Notes	
	6182 6185 6189 6190	6191 6192	6184 6187	6183							
1	1	1	1	1	1	1134-5751-01	Batteri	Battery			
2	1	1	1	1	1	1134-5994-01	Batteribygel	Battery loop			
3	1	1	1	1	1	1134-5995-01	Batteribygel	Battery loop			
4	1	1	1	1	1	1134-4481-02	Vingmutter	Wing nut			
5	1	1	1	1	1	9747-0631-02	Låsmutter	Lock nut			
6	1	1	1	1	1	1134-2962-01	Solenoid kpl	Solenoid assy			
7	2	2	2	2	2	9794-5131-02	• Mutter	• Nut			
8	2	2	2	2	2	9852-8013-16	Skruv	Screw			
9	2	2	2	2	2	9699-0060-02	Planbricka	Flat washer			
10	1	1	1	1	1	1134-4970-02	Kabel- röd	Cable- red			
11	1	1	1	1	1	1134-3491-01	Säkringshållare	Fuse holder			
12	1	1	1	1	1	1134-3496-01	Säkring	Fuse	10A		
12	1	1	1	1	1	1134-3496-06	Säkring	Fuse	20A		
12	1	1	1	1	1	1134-3496-07	Säkring	Fuse	30A		
13	1	1	1	1	1	1134-3631-01	Lock- säkringsdosa	Cover- fuse holder			
14	1	1	1	1	1	1134-3399-02	Brytare	Switch			
15	2	2	2	2	2	9943-0516-16	Skruv	Screw			
16	1	1	1	1	1	1134-4172-01	Strålkastare kpl	Headlamp assy			
16A	1	1	1	1	1	9400-0293-01	• Glödlampa	• Bulb	12V - 21W		
17	2	2	2	2	2	9849-7819-16	Skruv	Screw			
18	2	2	2	2	2	1134-4177-01	Clips	Clips			
19A	1	1	1	1	1	1134-4056-01	Honkontakt	Female terminal	- 2006.11.30		
19B	1	1	1	1	1	1134-6291-01	Honkontakt	Female terminal	2006.12.01 -		
20	1	1	1	1	1	1134-4052-01	Stödbricka	Support washer	- 2006.11.30		
21	2	2	2	2	2	9840-7716-16	Skruv	Screw	- 2006.11.30		
22A	1	1	1	1	1	1134-0234-02	Batterikabel (+)	Battery cable (+)			
23	1	1	1	1	1	1134-2310-01	Batteriskydd	Guard cap			
24	7	7	7	7	7	9579-0003-00	Buntband	Cable holder			
25	1	1	1	1	1	9632-0522-00	Popnit	Pop rivet			
27	2	2	2	2	2	9849-8006-16	Skruv	Screw			
X 39					1	1134-6454-01	Jordplåt	Ground plate	2007.03.19 -		
X 40					1	1134-6033-02	Kablage	Cable harness	- 2007.03.18		
X 40	1	1	1	1	1	1134-6289-02	Kablage	Cable harness	- 2007.02.28		
X 40	1	1	1	1	1	1134-6441-01	Kablage	Harness	2007.03.01 -		
X 40					1	1134-6469-01	Kablage	Harness	2007.03.19 -		



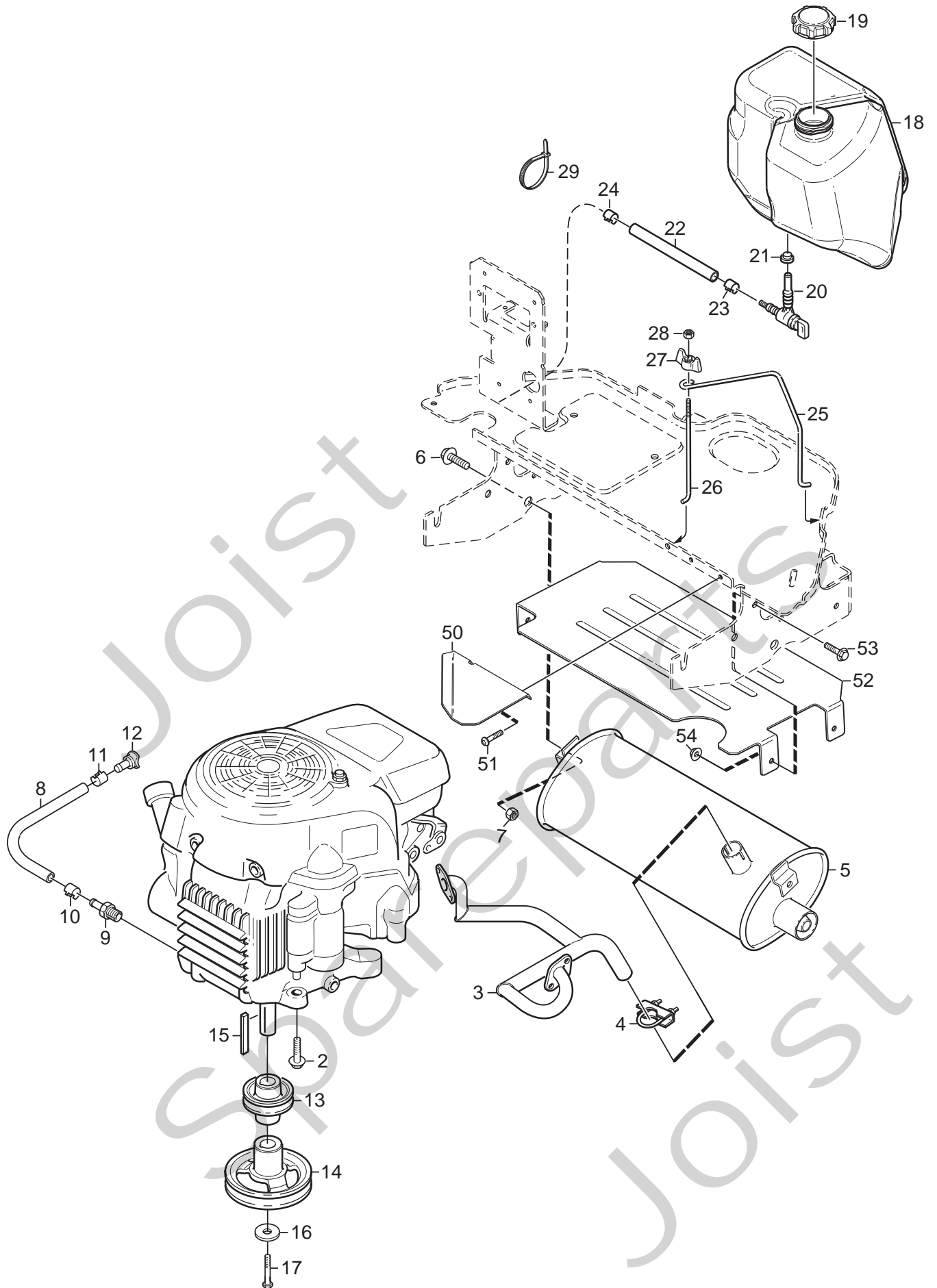
Utgåva Issue 2007- 11		Bildnr Picture No 2020B		PARK DIESEL ELUTRUSTNING		PARK DIESEL EL. EQUIPMENT		Sida Page 90	
Pos. Fig.	Antal/Quantity			Art nr Part No	Benämning	Description	Sats Kit	Anmärkning Notes	
	6180	6181							
1	1	1		1134-5751-01	Batteri	Battery			
2	1	1		1134-5994-01	Batteribygel	Battery loop.....			
3	1	1		1134-5995-01	Batteribygel	Battery loop.....			
4	1	1		1134-4481-02	Vingmutter.....	Wing nut			
5	1	1		9747-0631-02	Låsmutter	Lock nut			
6	1	1		1134-2962-01	Solenoid kpl	Solenoid assy.....			
7	2	2		9794-5131-02	• Mutter.....	• Nut			
8	2	2		9852-8013-16	Skruv	Screw			
9	2	2		9699-0060-02	Planbricka.....	Flat washer.....			
10	1	1		1134-4970-02	Kabel- röd	Cable- red			
11	1	1		1134-3491-01	Säkringshållare.....	Fuse holder			
12	1	1		1134-3496-01	Säkring	Fuse	10A		
12	1	1		1134-3496-06	Säkring	Fuse	20A		
12	1	1		1134-3496-07	Säkring	Fuse	30A		
13	1	1		1134-3631-01	Lock-säkringsdosa.....	Cover- fuse holder.....			
14		1		1134-3399-01	Brytare.....	Switch			
14	1			1134-3399-02	Brytare.....	Switch			
15	2	2		9943-0516-16	Skruv	Screw			
16	1	1		1134-4172-01	Strålkastare kpl.....	Headlamp assy.....			
16A	1	1		9400-0293-01	• Glödlampa	• Bulb	12V - 21W		
17	2	2		9849-7819-16	Skruv	Screw			
18	2	2		1134-4177-01	Clips	Clips			
19A	1	1		1134-4056-01	Honkontakt	Female terminal.....		- 2006.11.30	
19B	1	1		1134-6291-01	Honkontakt	Female terminal.....		2006.12.01 -	
20	1	1		1134-4052-01	Stödbricka	Support washer.....		- 2006.11.30	
21	2	2		9840-7716-16	Skruv	Screw		- 2006.11.30	
22B	1	1		1134-6067-01	Kabel (+).....	Cable (+)			
23	1	1		1134-2310-01	Batteriskydd.....	Guard cap			
24	7	7		9579-0003-00	Buntband	Cable holder			
25	1	1		9632-0522-00	Popnit	Pop rivet			
27	2	2		9849-8006-16	Skruv	Screw			
40	1			1134-6034-01	Kablage.....	Cable harness			
X 40		1		1134-6391-01	Kablage.....	Cable harness			



Utgåva Issue 2007- 11		Bildnr Picture No 2021		PARK 2WD COMFORT- PRES- UNLTD MOTOR (Briggs & Stratton)		PARK 2WD COMFORT- PRES- UNLTD ENGINE (Briggs & Stratton)		Sida Page 92	
Pos. Fig.	Antal/Quantity			Art nr Part No	Benämning	Description	Sats Kit	Anmärkning Notes	
	6182	6184							
X	1	1		1134-6116-02	Luffring.....	Air duct			
	2	4		9955-3725-16	Skruv.....	Screw.....			
	3	1		1134-6100-01	Grenrör.....	Exhaust pipe			
	3	1		1134-6334-01	Grenrör.....	Exhaust pipe			
	4	1		9578-0011-01	Klämma.....	Clamp.....			
	5	1		1134-6024-01	Ljuddämpare.....	Muffler			
	6	1		9959-0820-16	Skruv.....	Screw.....			
	7	1		9739-0831-22	Mutter.....	Nut.....			
	8	1		1134-5827-01	Oljeavtappning kpl.....	Oil drain assy		Inkl. pos 9 - 12	
	9	1		1134-5825-01	• Nippel.....	• Nipple.....			
	10	1		9578-0023-04	• Slangklämma.....	• Hose clamp			
	11	1		1134-3499-02	• Slangklämma.....	• Hose clamp			
	12	1		1134-5826-01	• Plugg.....	• Plug.....			
	13	1		1134-6137-01	Motorremskiva.....	Engine pulley.....			
X	14	1		1134-6419-01	Motorremskiva.....	Engine pulley.....			
	15	1		9600-0251-01	Kil.....	Key.....			
	16	1		1134-5017-01	Bricka.....	Washer.....			
	17	1		9987-5332-16	Skruv.....	Screw.....			
	18	1		1134-5938-01	Bränsletank.....	Fuel tank			
	19	1		1134-5532-01	Tanklock.....	Fuel tank cap.....			
	20	1		1134-3224-01	Bensinkran.....	Fuel shut-off valve.....			
	21	1		1134-3225-01	Gummibussning.....	Grommet.....			
	22	1		1134-2975-13	Bensinslang.....	Fuel hose.....		L = 1100	
	23	1		9578-0023-02	Slangklämma.....	Hose clamp			
	24	1		9578-0023-02	Slangklämma.....	Hose clamp			
	25	1		1134-5942-01	Tankbygel.....	Tank loop			
	26	1		1134-5996-01	Tankbygel.....	Tank loop			
	27	1		1134-4481-02	Vingmutter.....	Wing nut.....			
	28	1		9747-0631-02	Låsmutter.....	Lock nut.....			
	29	1		9579-0003-00	Buntband.....	Cable holder.....			
	30	1		9852-8013-16	Skruv.....	Screw.....			
	31	1		1134-0433-00	Ljuddämparpackning.....	Muffler gasket.....			
	32	2		1134-4930-01	Skruv.....	Screw.....			
	50	1		1134-6234-01	Deflektor.....	Heat deflector.....			
	51	2		9943-0516-16	Skruv.....	Screw.....			
	52	1		1134-6251-01	Deflektor.....	Heat deflector.....			
	53	4		9959-0612-16	Skruv.....	Screw.....			
	54	4		9739-0631-22	Mutter.....	Nut.....			

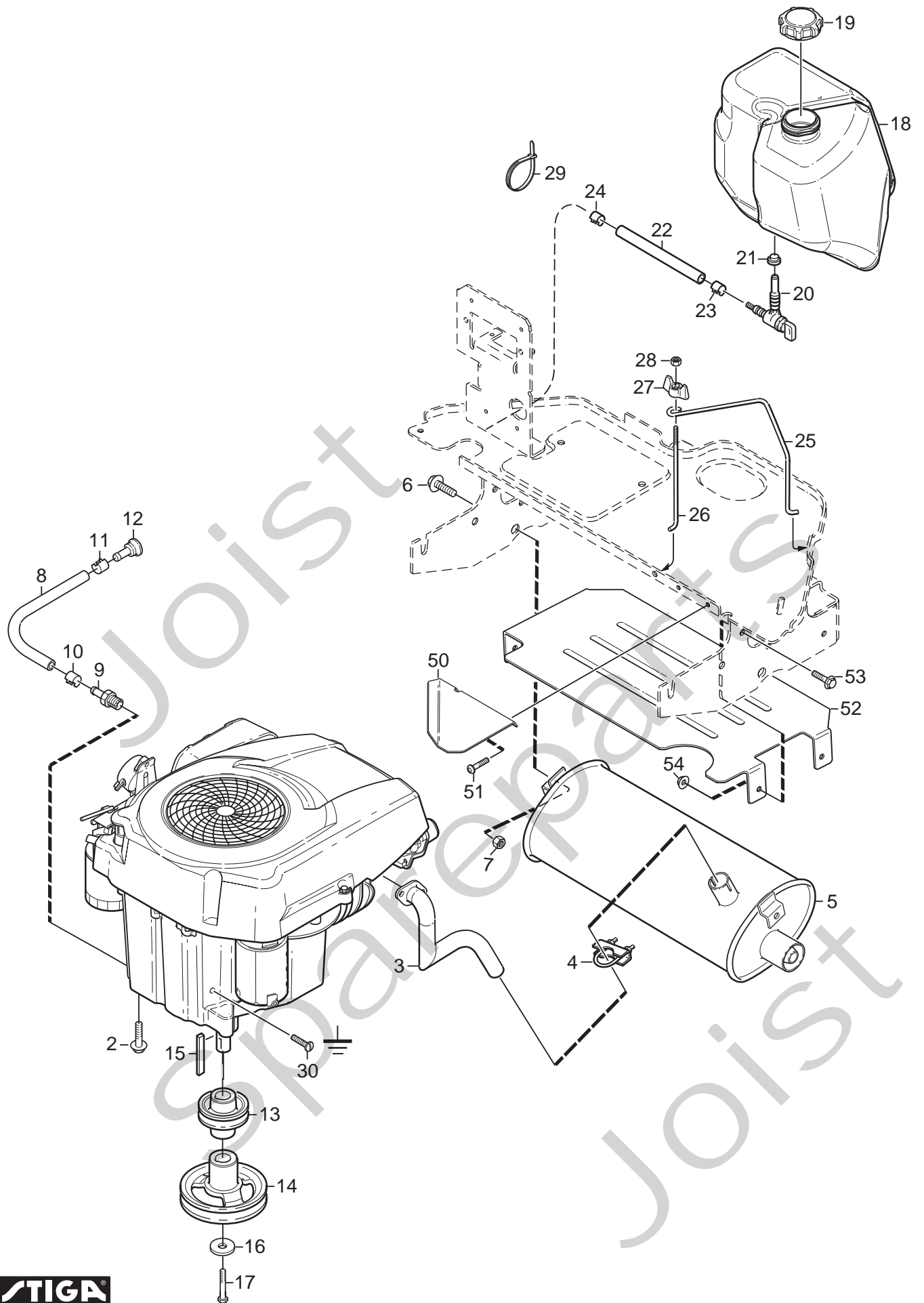


Utgåva Issue 2007- 11		Bildnr Picture No 2207			PARK 2WD EXCELLENT- UNLTD (IT) MOTOR (Briggs & Stratton)		PARK 2WD EXCELLENT- UNLTD (IT) ENGINE (Briggs & Stratton)		Sida Page 94	
Pos. Fig.	Antal/Quantity				Art nr Part No	Benämning	Description	Sats Kit	Anmärkning Notes	
	6189	6190	6191 6192							
	1				1134-6116-02	Luffring.....	Air duct			
	2	4	4	4	9955-3725-16	Skruv.....	Screw.....			
X	3A	1			1134-6339-01	Grenrör.....	Exhaust pipe			
X	3B	1	1	1	1134-6422-01	Grenrör.....	Exhaust pipe			
	4	1	1	1	9578-0011-01	Klämma	Clamp.....			
	5	1	1	1	1134-6024-01	Ljuddämpare	Muffler			
	6	1	1	1	9959-0820-16	Skruv.....	Screw.....			
	7	1	1	1	9739-0831-22	Mutter.....	Nut			
	8	1	1	1	1134-5827-01	Oljeavtappning kpl.....	Oil drain assy		Inkl. pos 9 - 12	
	8	1	1	1	1134-5827-04	Oljeavtappning kpl.....	Oil drain assy		Inkl. pos 9 - 12	
	9	1	1	1	1134-5825-01	• Nippel.....	• Nipple.....			
	10	1	1	1	9578-0023-04	• Slangklämma.....	• Hose clamp			
	11	1	1	1	1134-3499-02	• Slangklämma.....	• Hose clamp			
	12	1	1	1	1134-5826-01	• Plugg.....	• Plug.....			
	13	1	1	1	1134-6137-01	Motorremskiva	Engine pulley.....			
X	14	1	1	1	1134-6419-01	Motorremskiva	Engine pulley.....			
	15	1	1	1	9600-0251-01	Kil.....	Key.....			
	16	1	1	1	1134-5017-01	Bricka.....	Washer.....			
	17	1	1	1	9987-5332-16	Skruv.....	Screw.....			
	18	1	1	1	1134-5938-01	Bränsletank.....	Fuel tank			
	19	1	1	1	1134-5532-01	Tanklock.....	Fuel tank cap.....			
	20	1	1	1	1134-3224-01	Bensinkran.....	Fuel shut-off valve.....			
	21	1	1	1	1134-3225-01	Gummibussning.....	Grommet.....			
	22	1	1	1	1134-2975-13	Bensinslang.....	Fuel hose.....		L = 1100	
	23	1	1	1	9578-0023-02	Slangklämma.....	Hose clamp			
	24	1	1	1	9578-0023-02	Slangklämma.....	Hose clamp			
	25	1	1	1	1134-5942-01	Tankbygel.....	Tank loop			
	26	1	1	1	1134-5996-01	Tankbygel.....	Tank loop			
	27	1	1	1	1134-4481-02	Vingmutter.....	Wing nut.....			
	28	1	1	1	9747-0631-02	Låsmutter.....	Lock nut.....			
	29	1	1	1	9579-0003-00	Buntband.....	Cable holder.....			
	30	1	1	1	9852-8013-16	Skruv.....	Screw.....			
	31		2		1134-0433-00	Ljuddämparpackning.....	Muffler gasket.....			
	32		4		1134-4930-01	Skruv.....	Screw.....			
	32	4			9939-0820-16	Skruv.....	Screw.....			
	42	1	1	1	1134-0994-02	Rörklammer.....	Tube clamp.....			
	43		1	1	1134-4168-01	Fläktskiva.....	Fan disc.....			
	44		4	4	9838-9516-12	Skruv.....	Screw.....			
	50	1	1	1	1134-6234-01	Deflektor.....	Heat deflector.....			
	51	2	2	2	9943-0516-16	Skruv.....	Screw.....			
	52	1	1	1	1134-6251-01	Deflektor.....	Heat deflector.....			
	53	4	4	4	9959-0612-16	Skruv.....	Screw.....			
	54	4	4	4	9739-0631-22	Mutter.....	Nut.....			



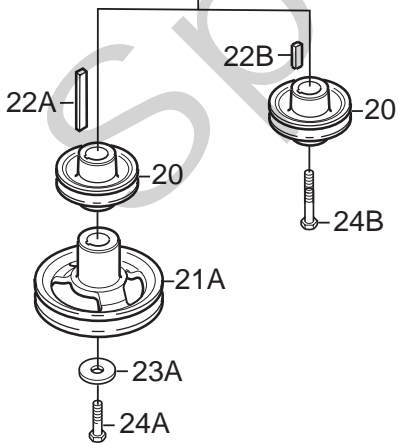
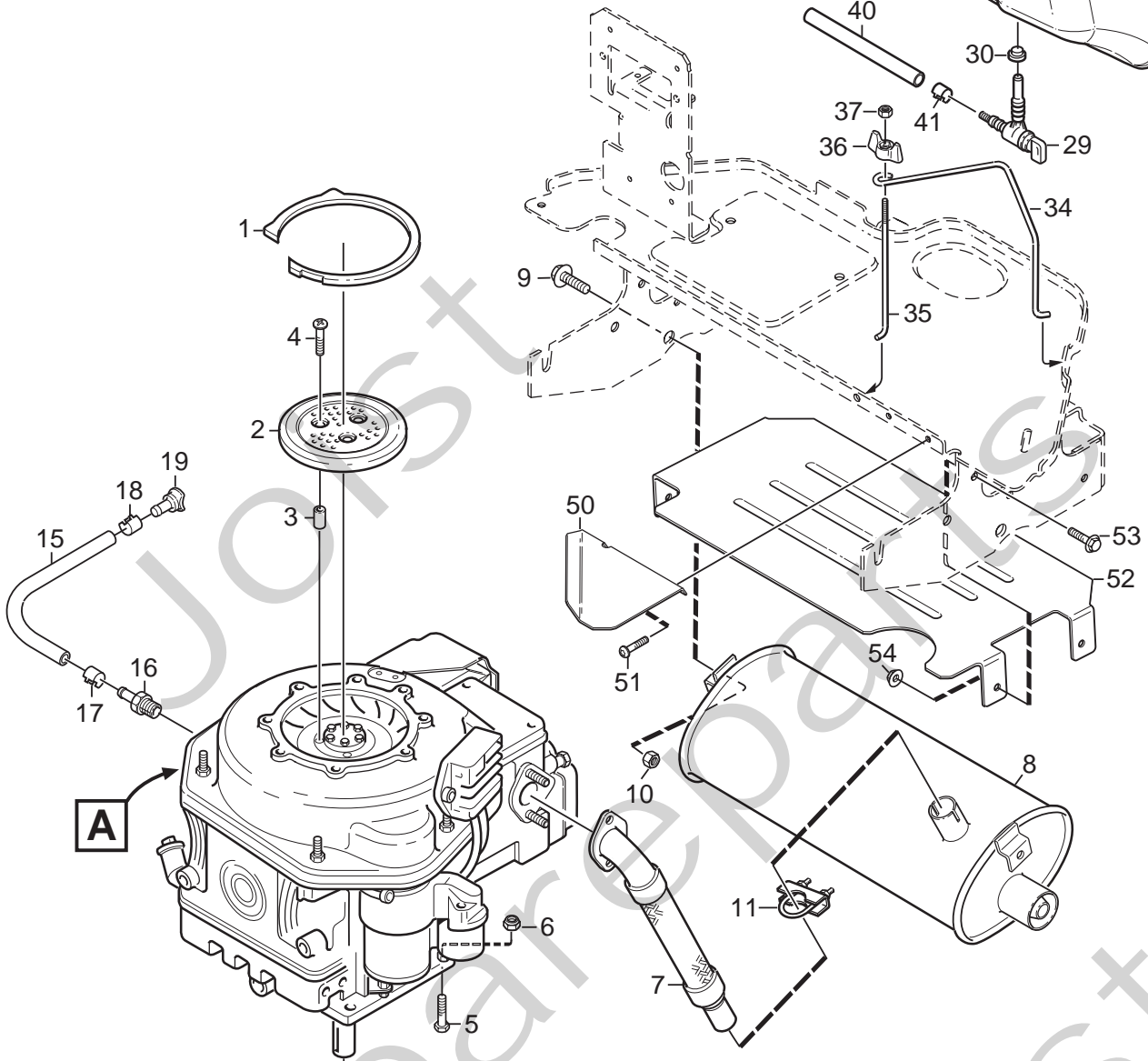
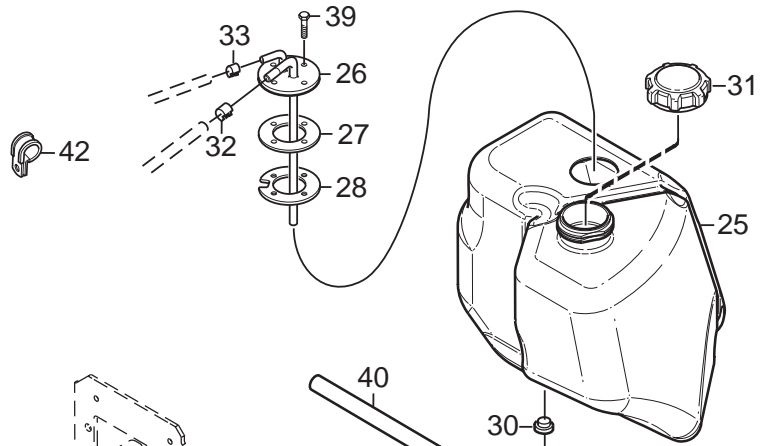
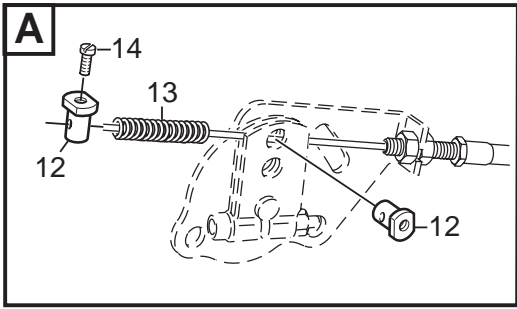
Utgåva Issue 2007- 11		Bildnr Picture No 2022		PARK 2WD ROYAL MOTOR (Honda)		PARK 2WD ROYAL ENGINE (Honda)		Sida Page 96	
Pos. Fig.	Antal/Quantity				Art nr Part No	Benämning	Description	Sats Kit	Anmärkning Notes
	6183								
2	4				9955-3725-16 Skruv.....	Screw.....			
3	1				1134-5947-01 Grenrör.....	Exhaust pipe.....			
4	1				9578-0011-01 Klämma.....	Clamp.....			
5	1				1134-6024-01 Ljuddämpare.....	Muffler.....			
6	1				9959-0820-16 Skruv.....	Screw.....			
7	1				9739-0831-22 Mutter.....	Nut.....			
8	1				1134-5827-01 Oljeavtapning kpl.....	Oil drain assy.....		Inkl. pos 9 - 12	
9	1				1134-5825-01 • Nippel.....	• Nipple.....			
10	1				9578-0023-04 • Slangklämma.....	• Hose clamp.....			
11	1				1134-3499-02 • Slangklämma.....	• Hose clamp.....			
12	1				1134-5826-01 • Plugg.....	• Plug.....			
13	1				1134-6137-01 Motorremskiva.....	Engine pulley.....			
14	1				1134-6419-01 Motorremskiva.....	Engine pulley.....			
15	1				9600-0251-01 Kil.....	Key.....			
16	1				1134-5017-01 Bricka.....	Washer.....			
17	1				9987-5332-16 Skruv.....	Screw.....			
18	1				1134-5938-01 Bränsletank.....	Fuel tank.....			
19	1				1134-5532-01 Tanklock.....	Fuel tank cap.....			
20	1				1134-3224-01 Bensinkran.....	Fuel shut-off valve.....			
21	1				1134-3225-01 Gummibussning.....	Grommet.....			
22	1				1134-2975-13 Bensinslang.....	Fuel hose.....		L = 1100	
23	1				9578-0023-02 Slangklämma.....	Hose clamp.....			
24	1				9578-0023-02 Slangklämma.....	Hose clamp.....			
25	1				1134-5942-01 Tankbygel.....	Tank loop.....			
26	1				1134-5996-01 Tankbygel.....	Tank loop.....			
27	1				1134-4481-02 Vingmutter.....	Wing nut.....			
28	1				9747-0631-02 Låsmutter.....	Lock nut.....			
29	1				9579-0003-00 Buntband.....	Cable holder.....			
30	1				9893-0616-16 Skruv.....	Screw.....			
50	1				1134-6234-01 Deflektor.....	Heat deflector.....			
51	2				9943-0516-16 Skruv.....	Screw.....			
52	1				1134-6251-01 Deflektor.....	Heat deflector.....			
53	4				9959-0612-16 Skruv.....	Screw.....			
54	4				9739-0631-22 Mutter.....	Nut.....			

X

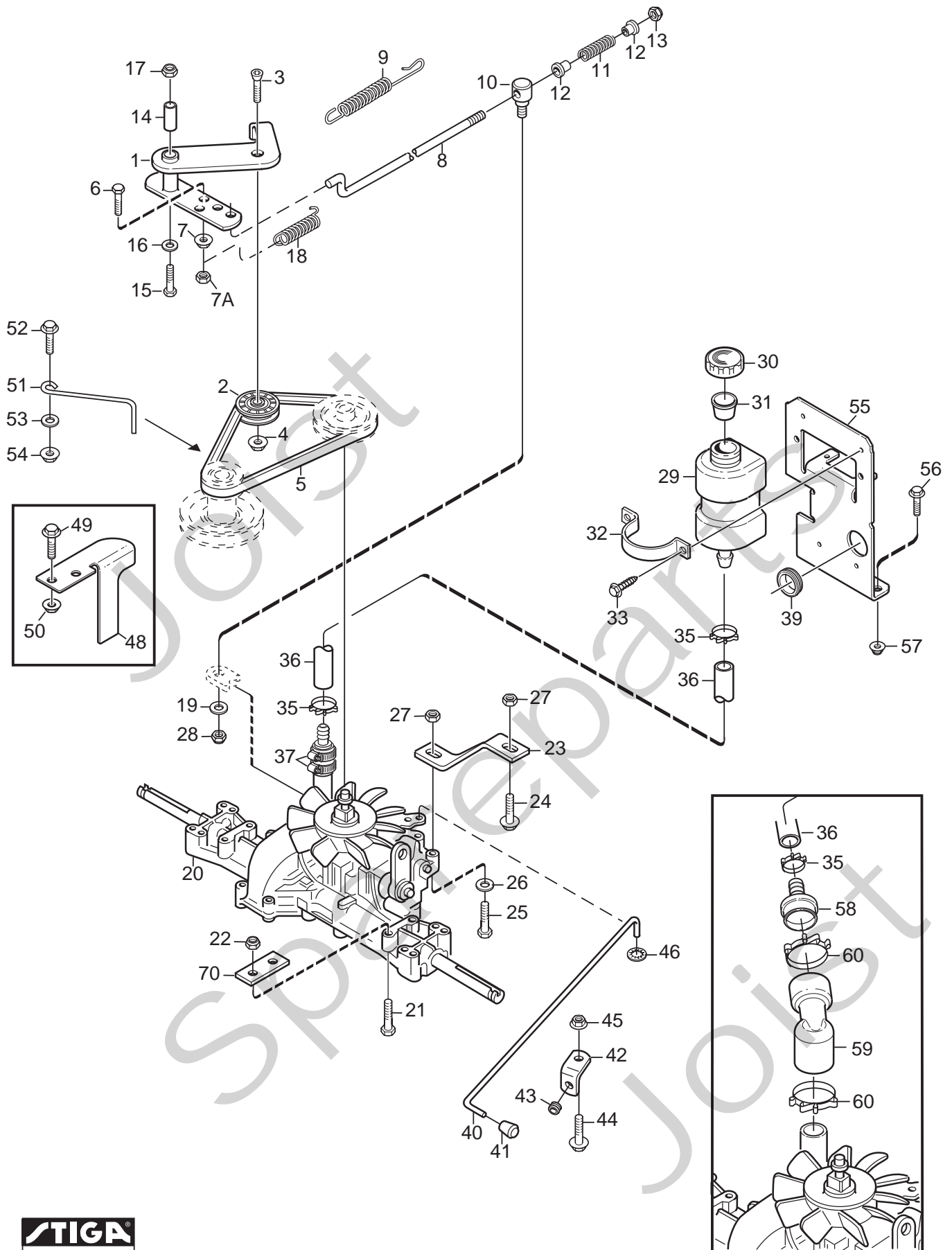


Utgåva Issue 2007- 11		Bildnr Picture No 2037		PARK 2WD/4WD POWER- PRESTIGE MOTOR (Kohler)		PARK 2WD/4WD POWER- PRESTIGE ENGINE (Kohler)		Sida Page 98	
Pos. Fig.	Antal/Quantity				Art nr Part No	Benämning	Description	Sats Kit	Anmärkning Notes
	6185								
2	4				9955-3725-16 Skruv.....	Screw.....			
3	1				1134-6021-01 Grenrör.....	Exhaust pipe.....			
4	1				9578-0011-01 Klämma.....	Clamp.....			
5	1				1134-6024-01 Ljuddämpare.....	Muffler.....			
6	1				9959-0820-16 Skruv.....	Screw.....			
7	1				9739-0831-22 Mutter.....	Nut.....			
8	1				1134-5827-01 Oljeavtapning kpl.....	Oil drain assy.....		Inkl. pos 9 - 12	
9	1				1134-5825-01 • Nippel.....	• Nipple.....			
10	1				9578-0023-04 • Slangklämma.....	• Hose clamp.....			
11	1				1134-3499-02 • Slangklämma.....	• Hose clamp.....			
12	1				1134-5826-01 • Plugg.....	• Plug.....			
13	1				1134-6137-01 Motorremskiva.....	Engine pulley.....			
14	1				1134-6419-01 Motorremskiva.....	Engine pulley.....			
15	1				9600-0251-01 Kil.....	Key.....			
16	1				1134-5017-01 Bricka.....	Washer.....			
17	1				9987-5332-16 Skruv.....	Screw.....			
18	1				1134-5938-01 Bränsletank.....	Fuel tank.....			
19	1				1134-5532-01 Tanklock.....	Fuel tank cap.....			
20	1				1134-3224-01 Bensinkran.....	Fuel shut-off valve.....			
21	1				1134-3225-01 Gummibussning.....	Grommet.....			
22	1				1134-2975-13 Bensinslang.....	Fuel hose.....		L = 1100	
23	1				9578-0023-02 Slangklämma.....	Hose clamp.....			
24	1				9578-0023-02 Slangklämma.....	Hose clamp.....			
25	1				1134-5942-01 Tankbygel.....	Tank loop.....			
26	1				1134-5996-01 Tankbygel.....	Tank loop.....			
27	1				1134-4481-02 Vingmutter.....	Wing nut.....			
28	1				9747-0631-02 Låsmutter.....	Lock nut.....			
29	1				9579-0003-00 Buntband.....	Cable holder.....			
30	1				9893-0616-16 Skruv.....	Screw.....			
50	1				1134-6234-01 Deflektor.....	Heat deflector.....			
51	2				9943-0516-16 Skruv.....	Screw.....			
52	1				1134-6251-01 Deflektor.....	Heat deflector.....			
53	4				9959-0612-16 Skruv.....	Screw.....			
54	4				9739-0631-22 Mutter.....	Nut.....			

X

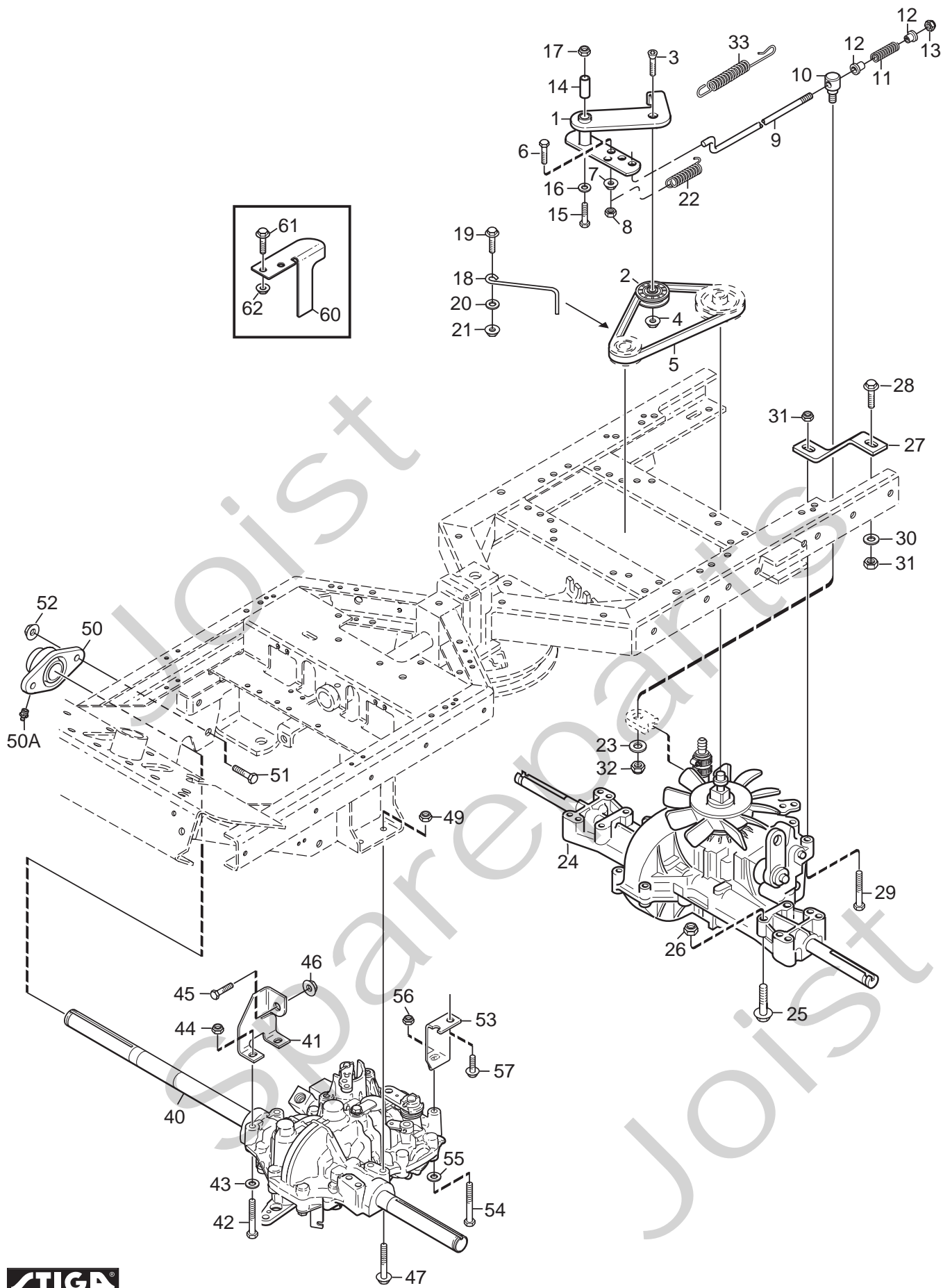


Utgåva Issue 2007- 11		Bildnr Picture No 2023A		PARK 2WD/4WD DIESEL MOTOR (Hatz)		PARK 2WD/4WD DIESEL ENGINE (Hatz)		Sida Page 100	
Pos. Fig.	Antal/Quantity			Art nr Part No	Benämning	Description	Sats Kit	Anmärkning Notes	
	6180	6181							
X	1	1		1134-6054-01	Tätningring	Seal ring			
	2	1		1134-4962-01	Fläktskydd	Fan cover			
	3	3		1134-4963-01	Distans	Spacer			
	4	3		9948-0630-16	Skruv	Screw			
	5	4		9997-1050-16	Skruv	Screw			
	6	4		9731-1031-22	Mutter	Nut			
	7	1		1134-6012-01	Grenrör	Exhaust pipe			
	8	1		1134-6024-01	Ljuddämpare	Muffler			
	9	2		9959-0820-16	Skruv	Screw			
	10	2		9739-0831-22	Mutter	Nut			
	11	1		9578-0011-01	Klämma	Clamp			
	12	2		1134-6118-01	Skruvnippel	Cable nipple			
	13	1		1134-6126-01	Tryckfjäder	Comp. spring			
	14	1		9997-0412-16	Skruv	Screw			
	15	1		1134-5827-04	Oljeavtapning kpl	Oil drain assy		Inkl. pos 16 - 19	
	16	1		1134-5825-01	• Nippel	• Nipple			
	17	1		9578-0023-04	• Slangklämma	• Hose clamp			
	18	1		1134-3499-02	• Slangklämma	• Hose clamp			
	19	1		1134-5826-01	• Plugg	• Plug			
	20	1		1134-6139-01	Motorremskiva	Engine pulley			
X	21A	1		1134-6419-01	Motorremskiva	Engine pulley			
	22A	1		9600-0251-01	Kil	Key		L = 2- 1/2"	
	22B	1		9600-0251-00	Plattkil	Key		L = 3/4"	
	23A	1		1134-5017-01	Bricka	Washer			
	24A	1		9987-5332-16	Skruv	Screw		L = 32 mm	
	24B	1		9987-5364-12	Skruv	Screw		L = 64 mm	
	25	1		1134-5938-02	Bränsletank	Fuel tank			
	26	1		1134-6130-01	Bränslelagnömföring	Fuel connection			
	27	1		1134-6136-01	Packning	Sealing			
	28	1		1134-6134-01	Fläns	Flange			
	29	1		1134-3224-01	Bensinkran	Fuel shut-off valve			
	30	1		1134-3225-01	Gummibussning	Grommet			
	31	1		1134-5532-01	Tanklock	Fuel tank cap			
	32	1		9578-0023-02	Slangklämma	Hose clamp			
	33	1		9578-0023-07	Slangklämma	Hose clamp			
	34	1		1134-5942-01	Tankbygel	Tank loop			
	35	1		1134-5996-01	Tankbygel	Tank loop			
	36	1		1134-4481-02	Vingmutter	Wing nut			
	37	1		9747-0631-02	Låsmutter	Lock nut			
	38	1		9959-0820-16	Skruv	Screw			
	39	4		9997-0520-16	Skruv	Screw			
	40	1		1134-2975-12	Bensinslang	Fuel hose			
	41	1		9578-0023-02	Slangklämma	Hose clamp			
	42	1		1134-0994-02	Rörklammer	Tube clamp			
	50	1		1134-6234-01	Deflektor	Heat deflector			
	51	2		9943-0516-16	Skruv	Screw			
	52	1		1134-6251-01	Deflektor	Heat deflector			
	53	4		9959-0612-16	Skruv	Screw			
	54	4		9739-0631-22	Mutter	Nut			

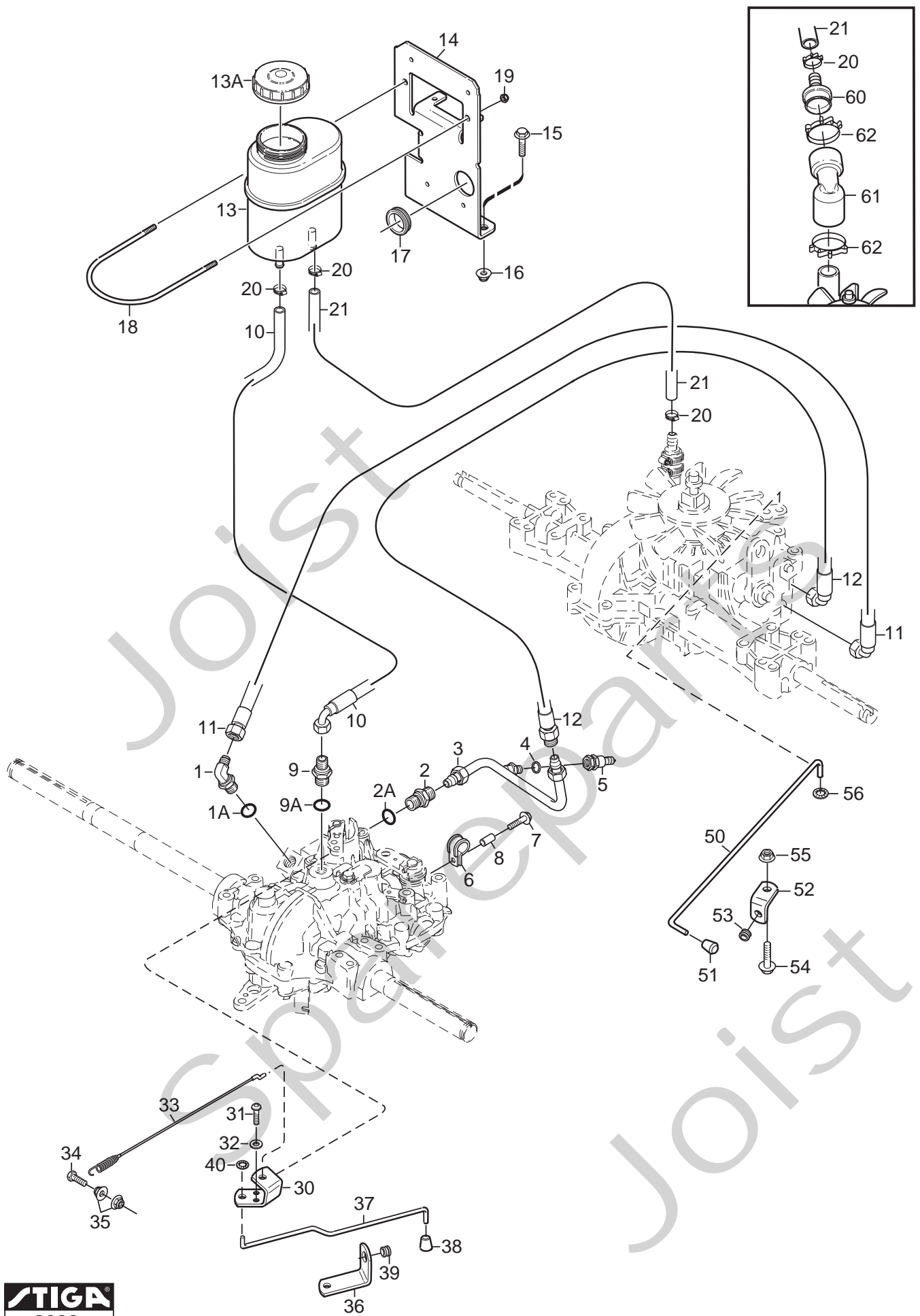


Utgåva Issue		Bildnr Picture No		PARK 2WD TRANSMISSION		PARK 2WD TRANSMISSION		Sida Page	
2007- 11		1996B						102	
Pos. Fig.	Antal/Quantity				Art nr Part No	Benämning	Description	Sats Kit	Anmärkning Notes
	6182 6183 6190	6184 6187 6189		6180					
1	1	1	1		1134-4000-02	Spännarm	Tension arm		
2	1	1	1		1134-3459-01	Spännrulle	Tension roller		
3	1	1	1		9924-1035-16	Skruv	Screw		
4	1	1	1		9799-1031-02	Mutter	Nut		
5	1	1	1		1134-9058-01	Drivrem	V- belt.....		
6	1	1	1		9997-0625-16	Skruv	Screw		
7	1	1	1		9739-0631-22	Mutter	Nut		
7A	1	1	1		9747-0631-02	Låsmutter	Lock nut		
8	1	1	1		1134-3377-02	Reglagestång	Control rod.....		
9	1	1	1		4231-0013-00	Fjäder.....	Spring		
10	1	1	1		1134-4171-01	Ledtapp	Pivot pin		
11	1	1	1		1134-4183-01	Tryckfjäder.....	Compression spring.....		
12	2	2	2		1134-3456-01	Bussning	Bushing		
13	1	1	1		9747-0631-02	Låsmutter	Lock nut		
14	1	1	1		1134-1565-08	Distans	Spacer		
15	1	1	1		9997-0870-16	Skruv	Screw		
16	1	1	1		9699-0056-02	Planbricka.....	Flat washer.....		
17	1	1	1		9747-0831-02	Mutter.....	Lock nut.....		
18	1	1	1		1134-1949-01	Fjäder.....	Spring		
19	1	1	1		9699-0060-02	Planbricka.....	Flat washer.....		
20	1	1	1		1134-4848-01	Transaxel kpl.....	Transaxle assy.....		
21	4	4	4		9960-0860-12	Skruv	Screw		Kanzaki K46G L = 60 mm
21	4	4	4		9997-0870-16	Skruv	Screw		L = 70 mm
22	4	4	4		9747-0831-02	Mutter.....	Lock nut.....		
23	1	1	1		1134-3913-01	Reaktionsstag.....	Strut		
24	1	1	1		9959-0825-16	Skruv	Screw		
25	1	1	1		9997-0845-12	Skruv	Screw		
26	1	1	1		9699-0090-02	Planbricka.....	Flat washer.....		
27	2	2	2		9747-0831-02	Mutter.....	Lock nut.....		
28	1	1	1		9747-0631-02	Låsmutter	Lock nut		
29	1	1	1		1134-2765-02	Oljetank	Oil tank.....		
30	1	1	1		1134-2777-02	Tanklock	Filler cap		
31	1	1	1		1134-3734-01	Luftningsplugg	Vent plug.....		
32	1	1	1		1134-2778-01	Fästband	Retainer strap		
33	2	2	2		9852-8013-16	Skruv	Screw		
35	2	2	2		9578-0023-04	Slangklämma.....	Hose clamp		15 x 8
36	1	1	1		1134-2779-09	Slang	Tube		L = 290 mm
39	1	1	1		1134-3203-01	Kabelgenomföring	Grommet.....		
40	1	1	1		1134-4015-01	Dragstång	Pull rod		
41	1	1	1		1134-4014-01	Plastknopp.....	Plastic button.....		
42	1	1	1		1134-4713-01	Vinkel.....	Bracket.....		
43	1	1	1		1134-2790-01	Gummihylsa	Rubber grommet.....		
44	1	1	1		9959-0820-16	Skruv	Screw		
45	1	1	1		9739-0831-22	Mutter.....	Nut		
46	1	1	1		9675-0009-02	Starlock	Starlock		
48			1		1134-6047-01	Remstyrning.....	Belt guide.....		
49			1		9959-1025-16	Skruv	Screw		
50			1		9739-1031-22	Mutter.....	Nut		
51	1	1			1134-3289-02	Remstyrning.....	Belt guide.....		
52	1	1			9959-0820-16	Skruv	Screw		
53	1	1			9699-0056-02	Planbricka.....	Flat washer.....		
54	1	1			9739-0831-22	Mutter.....	Nut		
55	1	1	1		1134-5941-01	Tankkonsol	Tank bracket.....		
56	2	2	2		9959-0820-16	Skruv	Screw		
57	2	2	2		9739-0831-22	Mutter.....	Nut		
58			1		1134-6051-01	Slangnippel.....	Hose nipple.....		
59			1		1134-6050-01	Böj	Elbow		
60			2		9578-0023-06	Slangklämma.....	Hose clamp		
70		2			1134-3376-01	Mellanlägg.....	Spacer plate		13-6189-03

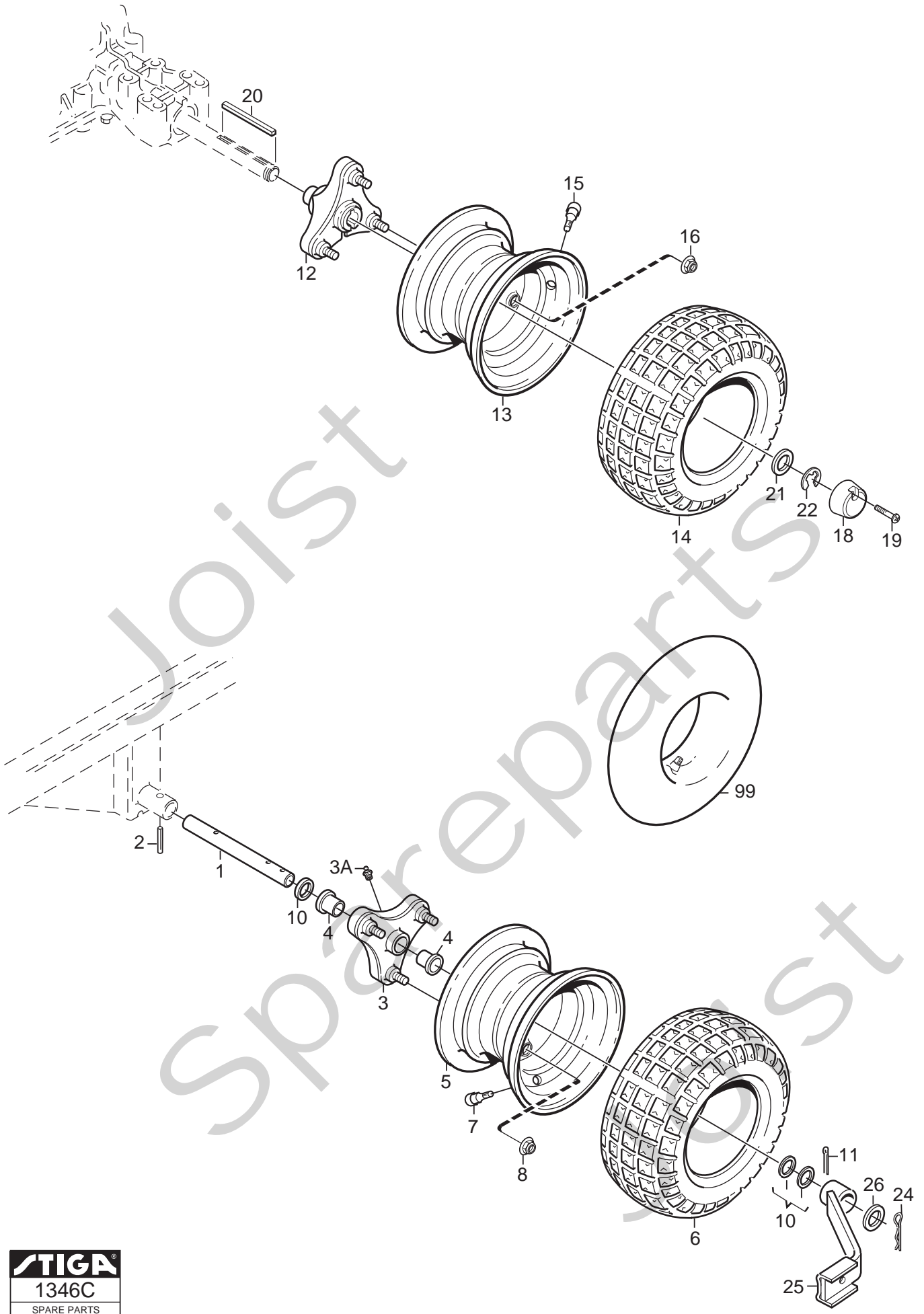
X



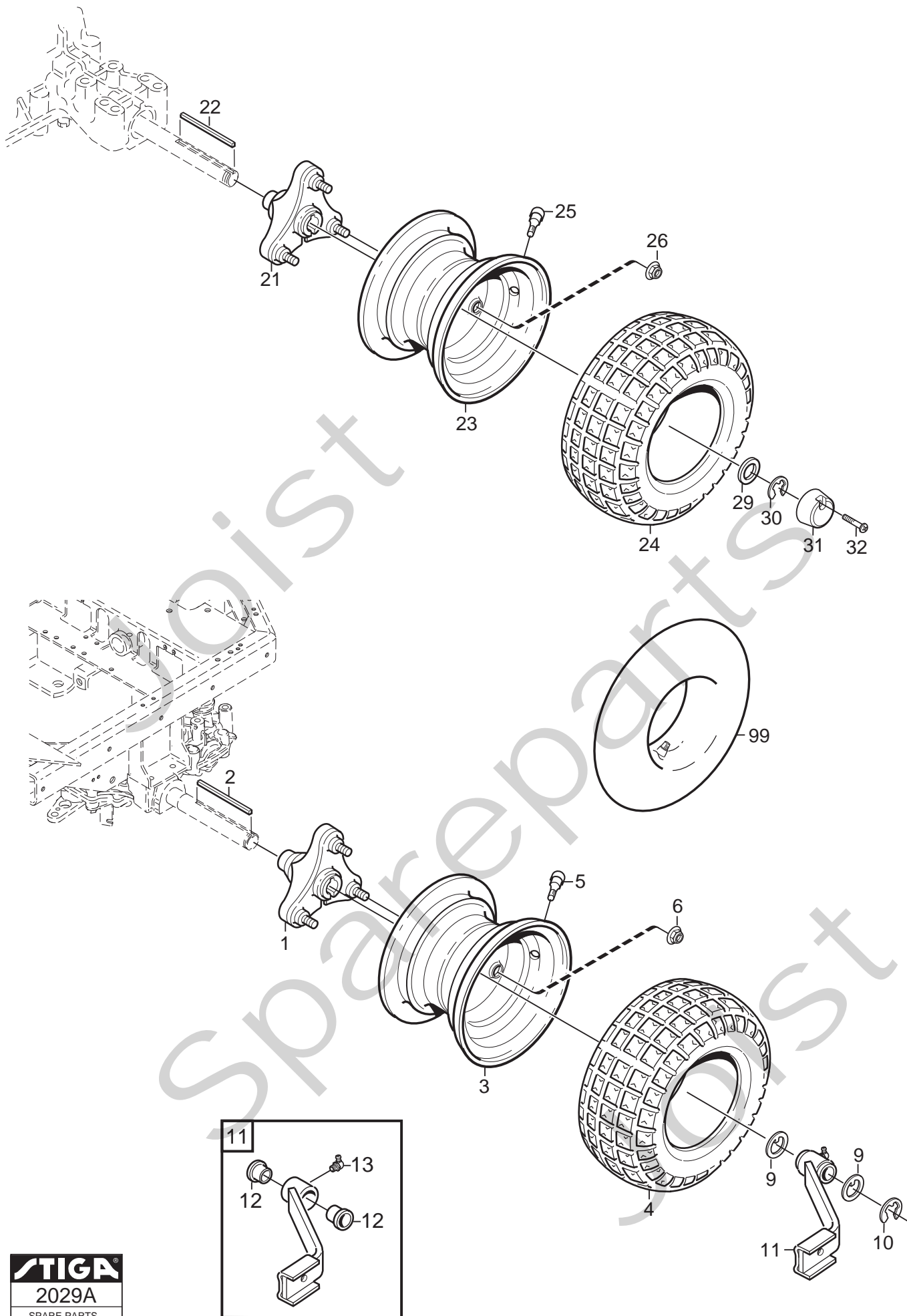
Utgåva Issue		Bildnr Picture No		PARK 4WD PRESTIGE- DIESEL UNLTD (IT)- POWER (CZ) TRANSMISSION (mek)		PARK 4WD PRESTIGE- DIESEL UNLTD (IT)- POWER (CZ) TRANSMISSION (mech)		Sida Page
2007- 11		2038A						104
Pos. Fig.	Antal/Quantity			Art nr Part No	Benämning	Description	Sats Kit	Anmärkning Notes
	6185 6191 6192	6181						
	1	1		1134- 4000- 02	Spännarm	Tension arm		
	2	1		1134- 3459- 01	Spännrulle	Tension roller		
	3	1		9924- 1035- 16	Skruv	Screw		
	4	1		9799- 1031- 02	Mutter	Nut		
	5	1		1134- 9058- 01	Drivrem	V- belt.....		
	6	1		9997- 0625- 16	Skruv	Screw		
	7	1		9739- 0631- 22	Mutter	Nut		
	8	1		9747- 0631- 02	Låsmutter	Lock nut		
	9	1		1134- 3377- 02	Reglagestång	Control rod.....		
	10	1		1134- 4171- 01	Ledtapp	Pivot pin.....		
	11	1		1134- 4183- 01	Tryckfjäder	Compression spring.....		
	12	2	2	1134- 3456- 01	Bussning	Bushing.....		
	13	1		9747- 0631- 02	Låsmutter	Lock nut		
	14	1		1134- 1565- 08	Distans	Spacer		
	15	1		9997- 0870- 16	Skruv	Screw		
	16	1		9699- 0056- 02	Planbricka.....	Flat washer.....		
	17	1		9747- 0831- 02	Mutter	Lock nut		
	18	1		1134- 3289- 02	Remstyrning	Belt guide		
	19	1		9959- 0820- 16	Skruv	Screw		
	20	1		9699- 0056- 02	Planbricka.....	Flat washer.....		
	21	1		9739- 0831- 22	Mutter	Nut		
	22	1	1	1134- 1949- 01	Fjäder.....	Spring		
	23	1		9699- 0060- 02	Planbricka.....	Flat washer.....		
	24	1		1134- 6028- 01	Transaxel kpl.....	Transaxle assy.....		
	24		1	1134- 6129- 01	Transaxel kpl.....	Transaxle assy.....		Kanzaki K574B 2- port
X	24	1		1134- 6394- 01	Transaxel kpl.....	Transaxle assy.....		Kanzaki K574F 4- port
X	25	4	4	9960- 0860- 12	Skruv	Screw		Kanzaki K574G 2- port
	26	4	4	9747- 0831- 02	Mutter	Lock nut		
	27	1		1134- 3913- 01	Reaktionsstag	Strut		
	28	1		9959- 0825- 16	Skruv	Screw		
	29	1		9997- 0845- 12	Skruv	Screw		
	30	1		9699- 0090- 02	Planbricka.....	Flat washer.....		
	31	2	2	9747- 0831- 02	Mutter	Lock nut		
	32	1		9747- 0631- 02	Låsmutter	Lock nut		
	33	1		4231- 0013- 00	Fjäder.....	Spring		
	40	1		1134- 6029- 01	Motoraxel- fram	Transaxle- front		Kanzaki KTM 10M
	41	1		1134- 5650- 01	Transaxelfäste.....	Transaxle bracket		
	42	2	2	9997- 0860- 16	Skruv	Screw		
	43	2	2	9699- 0090- 02	Planbricka.....	Flat washer.....		
	44	2	2	9747- 0831- 02	Mutter	Lock nut		
	45	1		9959- 1025- 16	Skruv	Screw		
X	46	1		9731- 1031- 22	Mutter	Nut		
X	47	2	2	9960- 0860- 12	Skruv	Screw		
	49	2	2	9747- 0831- 02	Mutter	Lock nut		
	50	1		1134- 5703- 01	Flänslagerenhet	Flange bearing.....		
	50A	1		9501- 0500- 00	• Smörjnippel	• Grease joint.....		
	51	2	2	9997- 1040- 16	Skruv	Screw		
X	52	2	2	9731- 1031- 22	Mutter	Nut		
	53	1		1134- 5670- 01	Reaktionsstag	Strut		
	54	1		9997- 0880- 16	Skruv	Screw		
	55	1		9699- 0090- 02	Planbricka.....	Flat washer.....		
	56	1		9747- 0831- 02	Mutter	Lock nut		
	57	2	2	9945- 0816- 16	Skruv	Screw		
	60		1	1134- 6047- 01	Remstyrning	Belt guide		
	61		1	9959- 1025- 16	Skruv	Screw		
	62		1	9739- 1031- 22	Mutter	Nut		



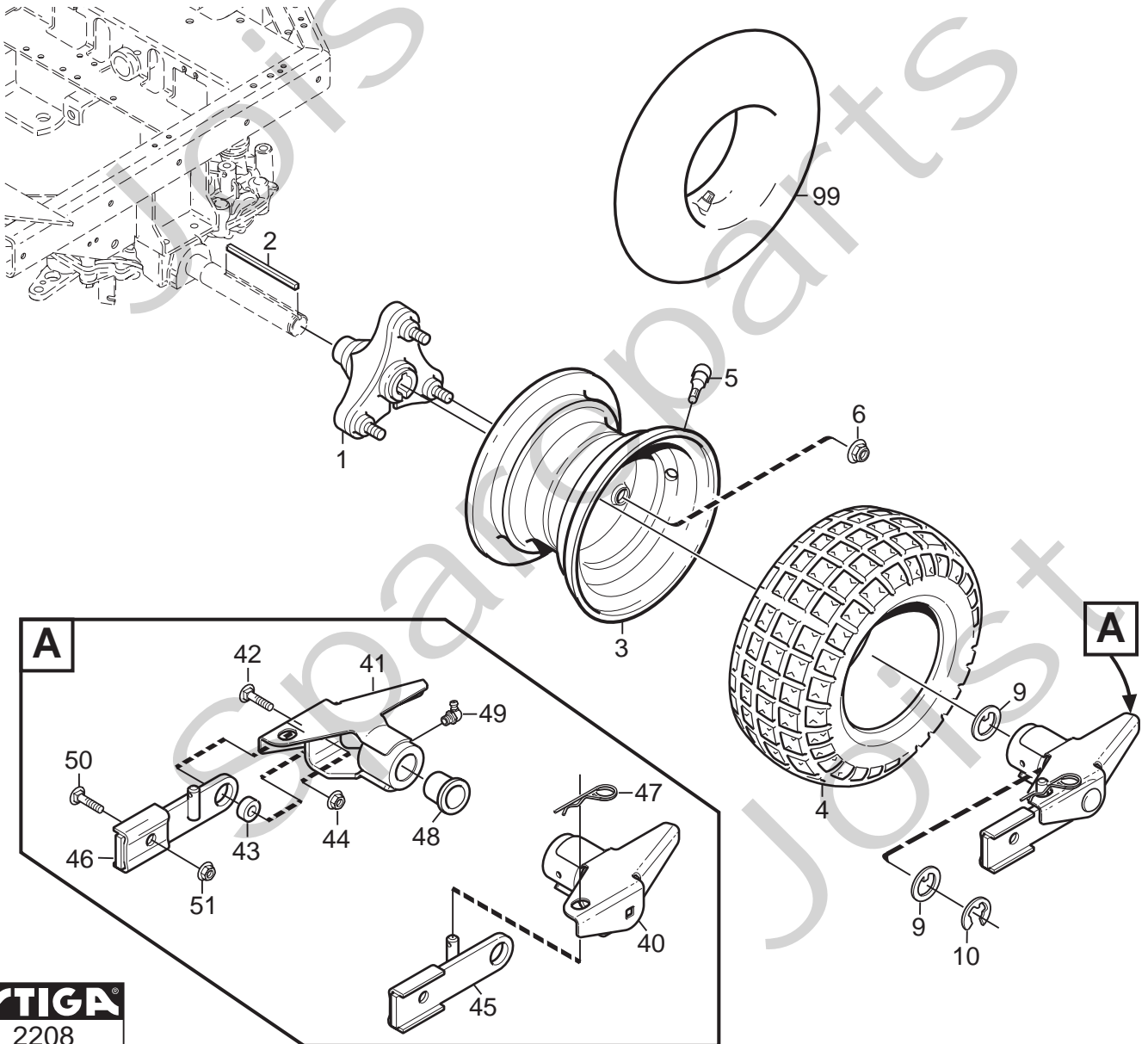
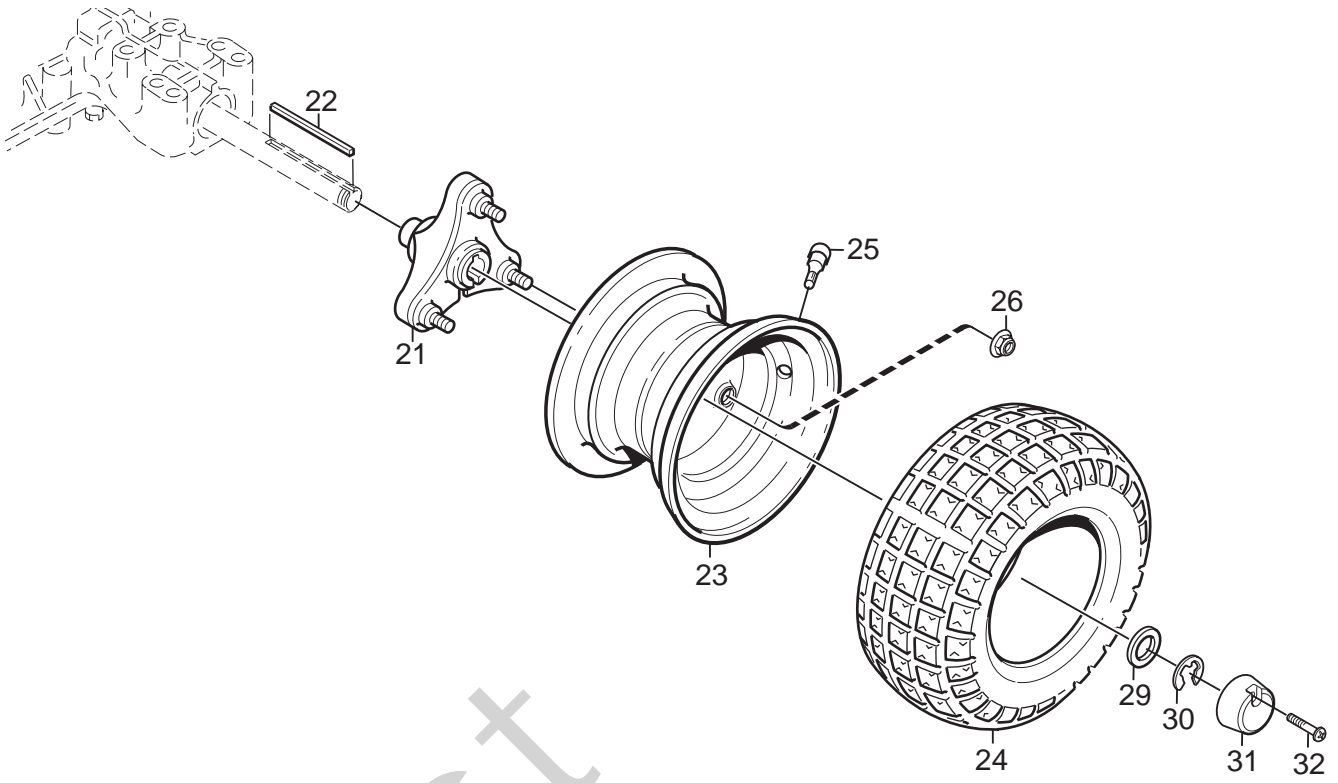
Utgåva Issue		Bildnr Picture No		PARK 4WD PRESTIGE- DIESEL UNLTD (IT)- POWER (CZ) TRANSMISSION (hydr)		PARK 4WD PRESTIGE- DIESEL UNLTD (IT)- POWER (CZ) TRANSMISSION (hydr)		Sida Page	
2007- 11		2039						106	
Pos. Fig.	Antal/Quantity			Art nr Part No	Benämning	Description	Sats Kit	Anmärkning Notes	
	6185 6191 6192	6181							
1	1	1		1134- 6044- 01	Vinkeladapter	Angle coupling		3/4" x 9/16"	
1A	1	1		9404- 0029- 01	• O- ring	• O- ring			
2	1	1		1134- 5875- 01	Skärringskoppling	Hydraulic coupling		3/4"	
2A	1	1		9404- 0029- 01	• O- ring	• O- ring			
3	1	1		1134- 6039- 01	Hydraulrör	Hydraulic pipe			
4	1	1		1134- 4948- 01	Tredobricka	Seal washer		1/4"	
5	1	1		1134- 6042- 01	Snabbkoppling- hane	Quick coupling- male			
6	1	1		9578- 0028- 01	Rörklammer	Tube clamp			
7	1	1		9959- 0825- 16	Skruv	Screw			
8	1	1		1134- 1565- 09	Distans	Spacer			
9	1	1		1134- 5809- 01	Adapter	Hydraulic coupling		3/4" x 9/16"	
9A	1	1		9404- 0029- 01	• O- ring	• O- ring			
10	1	1		1134- 5758- 04	Hydraulslang	Hydraulic tube			
11	1	1		1134- 6048- 01	Hydraulslang	Hydraulic tube			
12	1	1		1134- 6043- 01	Hydraulslang	Hydraulic tube			
13	1	1		1134- 6011- 01	Hydraultank	Hydraulic oil tank			
13A	1	1		1134- 5965- 01	• Tanklock	• Tank cap			
14	1	1		1134- 5941- 01	Tankkonsol	Tank bracket			
15	2	2		9959- 0820- 16	Skruv	Screw			
16	2	2		9739- 0831- 22	Mutter	Nut			
17	1	1		1134- 3203- 01	Kabelgenomföring	Grommet			
18	1	1		1134- 5943- 01	Tankbygel	Tank loop			
19	2	2		9747- 0631- 02	Låsmutter	Lock nut			
20	3	3		9578- 0023- 04	Slangklämma	Hose clamp			
21	1	1		1134- 2779- 02	Slang	Tube		L = 260 mm	
30	1	1		1134- 6162- 01	Fäste	Bracket			
31	2	2		9939- 0612- 16	Skruv	Screw			
32	2	2		9699- 0025- 02	Planbricka	Washer			
33	1	1		1134- 6163- 01	Wire	Cable			
34	1	1		9997- 0835- 12	Skruv	Screw			
35	2	2		9739- 0831- 22	Mutter	Nut			
36	1	1		1134- 6084- 01	Reglagekonsol	Control bracket			
37	1	1		1134- 6083- 01	Reglagestång	Control rod			
38	1	1		1134- 4014- 01	Plastknopp	Plastic button			
39	1	1		1134- 2790- 01	Gummihylsa	Rubber grommet			
40	1	1		9675- 0009- 02	Starlock	Starlock			
50	1	1		1134- 4015- 01	Dragstång	Pull rod			
51	1	1		1134- 4014- 01	Plastknopp	Plastic button			
52	1	1		1134- 4713- 01	Vinkel	Bracket			
53	1	1		1134- 2790- 01	Gummihylsa	Rubber grommet			
54	1	1		9959- 0820- 16	Skruv	Screw			
55	1	1		9739- 0831- 22	Mutter	Nut			
56	1	1		9675- 0009- 02	Starlock	Starlock			
60	1	1		1134- 6051- 01	Slangnippel	Hose nipple			
61	1	1		1134- 6050- 01	Böj	Elbow			
62		2		9578- 0023- 06	Slangklämma	Hose clamp			



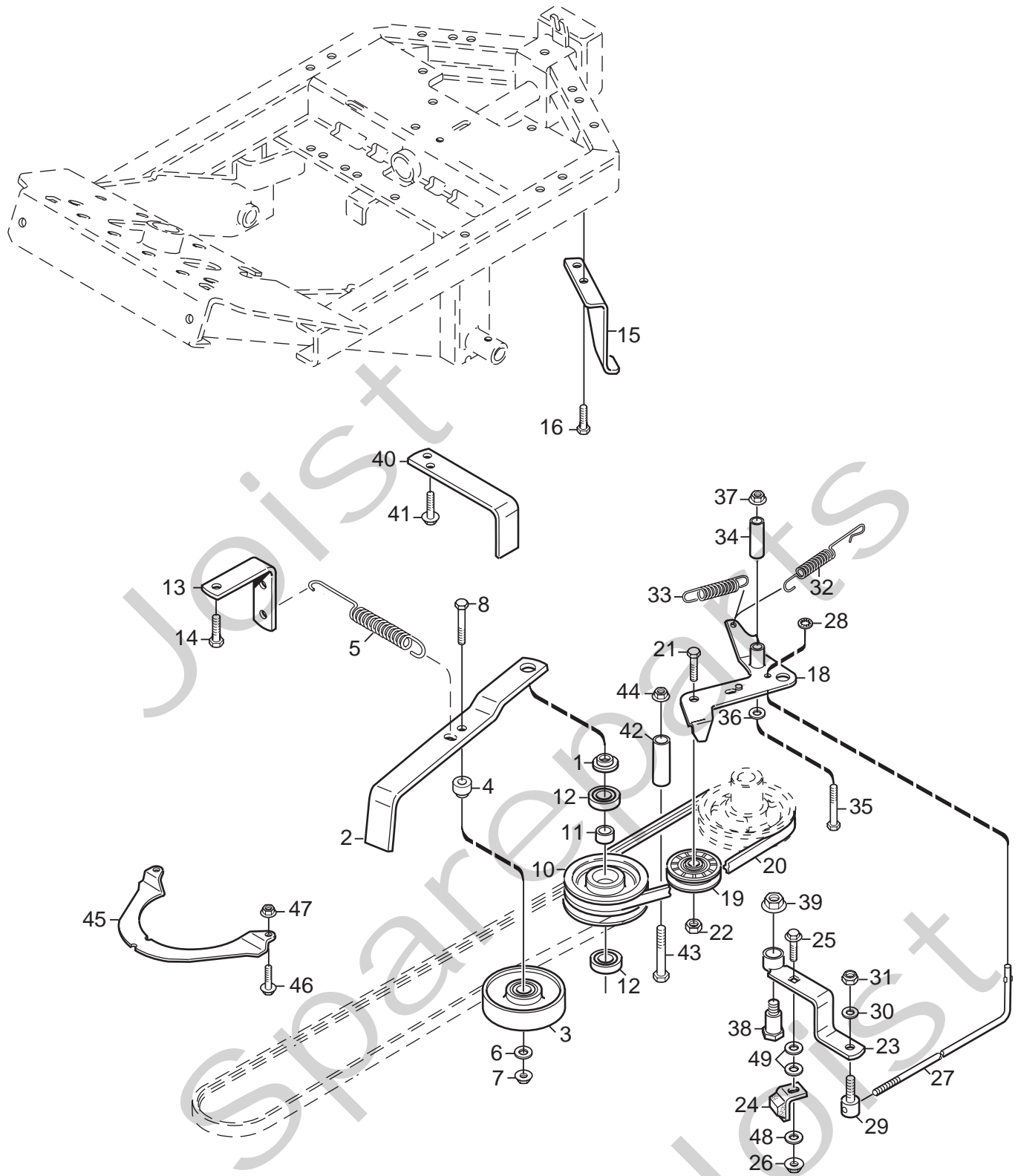
Utgåva Issue		Bildnr Picture No		PARK 2WD HJUL 16"		PARK 2WD WHEELS 16"		Sida Page	
2007- 11		1346C						108	
Pos. Fig.	Antal/Quantity				Art nr Part No	Benämning	Description	Sats Kit	Anmärkning Notes
	6180	6182	6183	6184					
1	2	2			1134-0075-01	Framaxeltapp	Front axle		
2	2	2			9595-0258-00	Spännstift	Locating pin		
3	2	2			1134-4844-05	Hjulnav kpl.....	Wheel hub Assy.....		
3A	1	1			9501-0500-00	• Smörjnippel	• Grease joint.....		
4	1	1			1134-9026-01	• Lagerbussning.....	• Bearing bush kit		Sats 4 st/kit of 4
5	2	2			1134-4558-01	Fälg.....	Rim		
6	2	2			9545-0116-00	Däck	Tyre		16 x 7.50 - 8
7	2	2			9545-0500-00	Ventil	Valve		
8	6	6			9731-1031-22	Mutter.....	Nut		
10	8	8			1134-0341-01	Bricka	Washer.....		
11	2	2			9599-0080-02	Saxsprint	Cotter pin		
12	2	2			1134-4844-02	Hjulnav	Wheel hub		
13	2	2			1134-4558-01	Fälg.....	Rim		
14	2	2			9545-0116-00	Däck	Tyre		16 x 7.50 - 8
15	2	2			9545-0500-00	Ventil	Valve		
16	6	6			9731-1031-22	Mutter.....	Nut		
18	2	2			1134-4796-01	Navkapsel	Hub cap.....		
19	2	2			9947-0540-19	Skruv	Screw		
20	2	2			1134-2471-01	Kil	Key		
21	2	2			9699-0042-02	Planbricka.....	Flat washer.....		
22	2	2			9653-0001-04	Spårryttare	Lock ring		
24	2	2			9598-0003-02	Låsnål	Spring pin		
25	2	2			1134-3710-01	Redskapsfäste	Tool attachment		
26	2	2			9699-0042-02	Planbricka.....	Flat washer.....		
99					9545-0203-00	Innerslang	Inner tube		Reservdel/spare part



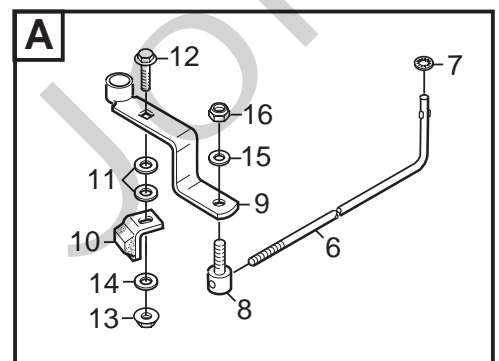
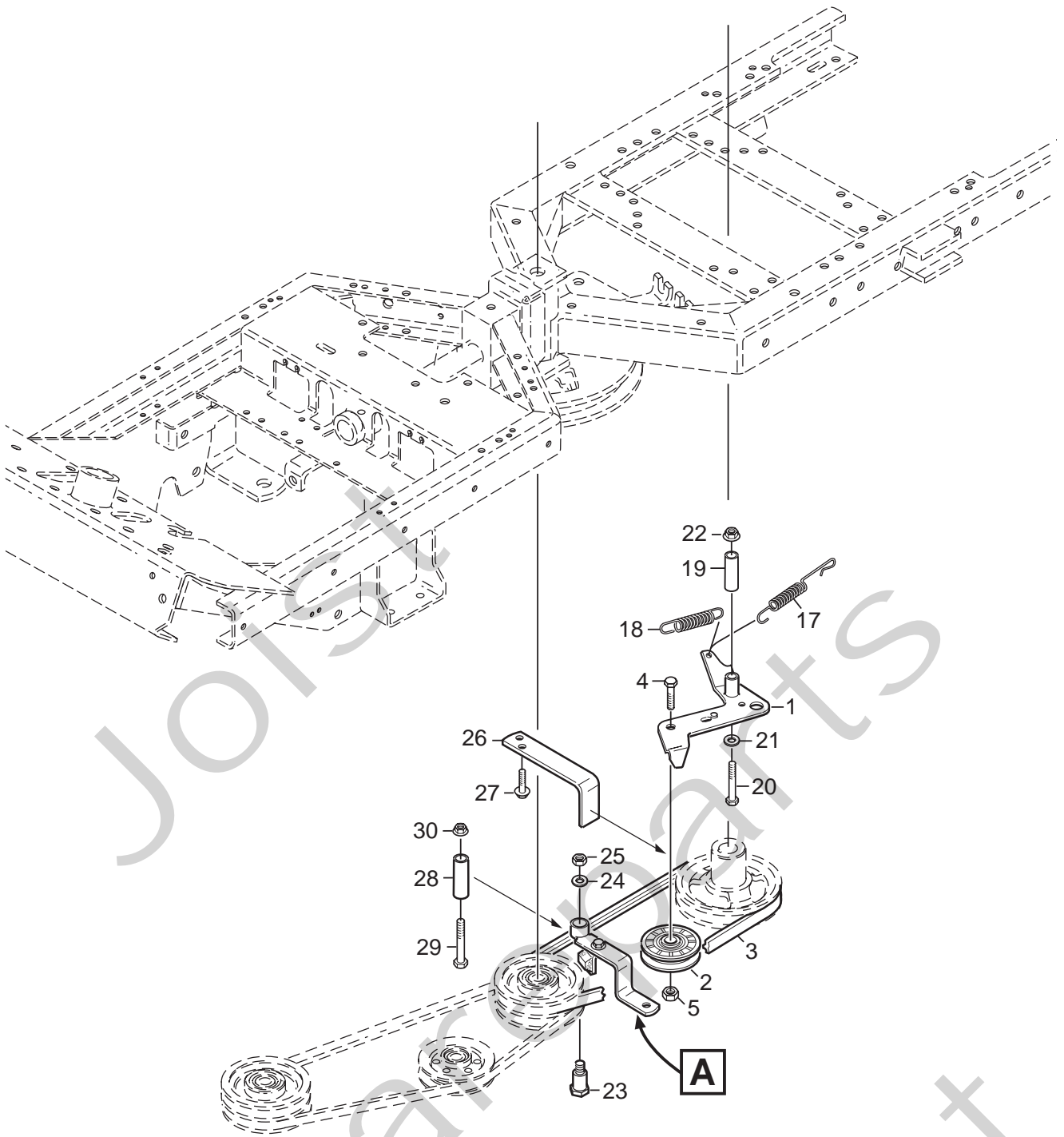
Utgåva Issue		Bildnr Picture No		PARK 4WD PRESTIGE UNLTD (IT)- POWER (CZ) HJUL 16"		PARK 4WD PRESTIGE UNLTD (IT)- POWER (CZ) WHEELS 16"		Sida Page	
2007- 11		2029A						110	
Pos. Fig.	Antal/Quantity				Art nr Part No	Benämning	Description	Sats Kit	Anmärkning Notes
	6185	6191	6192						
1	2				1134-4844-03 Hjulnav	Wheel hub			
2	2				1134-3383-02 Kil	Key			
3	2				1134-4558-01 Fälg	Rim			
4	2				9545-0116-00 Däck	Tyre			16 x 7.50 - 8
5	2				9545-0500-00 Ventil	Valve			
6	6				9731-1031-22 Mutter	Nut			
9	4				1134-5797-01 Bricka	Washer			
10	2				9653-0002-04 Spärryttare	Lock ring			
11	2				1134-5886-01 Redskapsfäste kpl.	Tool attachment assy			
12	2				1134-5686-01 • Lagerbussning	• Bearing bush			
13	1				9501-0502-00 • Smörjnippel	• Grease joint			
21	2				1134-4844-02 Hjulnav	Wheel hub			
22	2				1134-2471-01 Kil	Key			
23	2				1134-4558-01 Fälg	Rim			
24	2				9545-0116-00 Däck	Tyre			16 x 7.50 - 8
25	2				9545-0500-00 Ventil	Valve			
26	6				9731-1031-22 Mutter	Nut			
29	2				9699-0042-02 Planbricka	Flat washer			
30	2				9653-0001-04 Spärryttare	Lock ring			
31	2				1134-4796-01 Navkapsel	Hub cap			
32	2				9947-0540-19 Skruv	Screw			
99					9545-0203-00 Innerslang	Inner tube			Reservdel/spare part



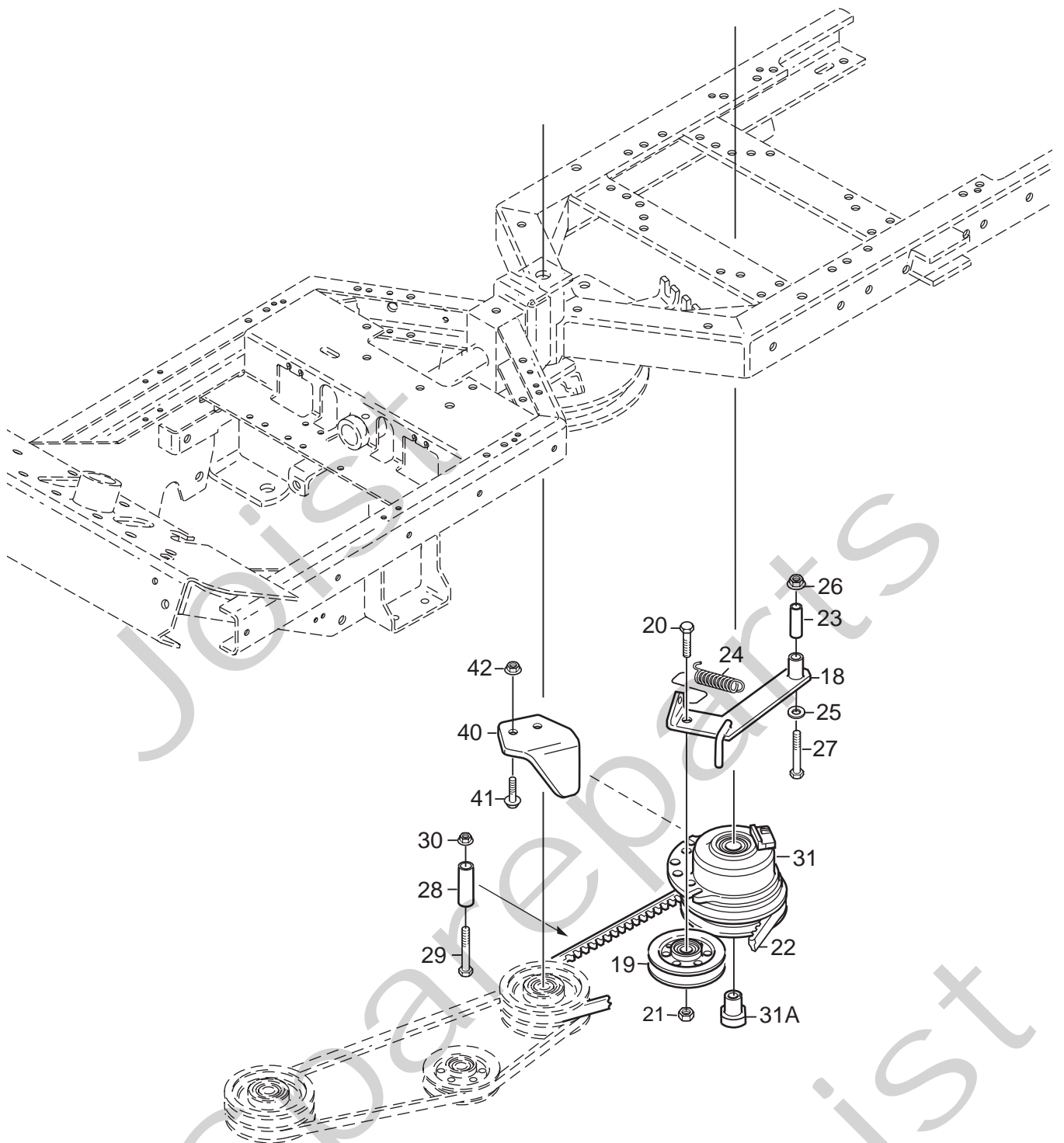
Utgåva Issue		Bildnr Picture No		PARK 4WD DIESEL HJUL 16"		PARK 4WD DIESEL WHEELS 16"		Sida Page	
2007- 11		2208						112	
Pos. Fig.	Antal/Quantity				Art nr Part No	Benämning	Description	Sats Kit	Anmärkning Notes
	6181								
	1	2			1134-4844-03	Hjulnav	Wheel hub		
	2	2			1134-3383-02	Kil	Key		
	3	2			1134-4558-01	Fälg	Rim		
	4	2			9545-0116-00	Däck	Tyre		16 x 7.50 - 8
	5	2			9545-0500-00	Ventil	Valve		
X	6	6			9731-1031-22	Mutter	Nut		
	9	4			1134-5797-01	Bricka	Washer		
	10	2			9653-0002-04	Spärryttare	Lock ring		
	21	2			1134-4844-02	Hjulnav	Wheel hub		
	22	2			1134-2471-01	Kil	Key		
	23	2			1134-4558-01	Fälg	Rim		
	24	2			9545-0116-00	Däck	Tyre		16 x 7.50 - 8
	25	2			9545-0500-00	Ventil	Valve		
X	26	6			9731-1031-22	Mutter	Nut		
	29	2			9699-0042-02	Planbricka	Flat washer		
	30	2			9653-0001-04	Spärryttare	Lock ring		
	31	2			1134-4796-01	Navkapsel	Hub cap		
	32	2			9947-0540-19	Skruv	Screw		
X	40	1			1134-6398-01	Handtag- vä	Handle- LH		
X	41	1			1134-6398-02	Handtag- hö	Handle- RH		
X	42	2			9898-1025-16	Skruv	Screw		
X	43	2			1134-6406-01	Distans	Spacer		
	44	2			9747-1031-02	Låsmutter	Lock nut		
X	45	1			1134-6397-01	Fäste- vä	Attachment- LH		
X	46	1			1134-6397-02	Fäste- hö	Attachment- RH		
	47	2			9598-2001-02	Låsnål	Spring pin		
	48	4			1134-5686-01	Lagerbusning	Bearing bush		
	49	2			9501-0502-00	Smörjnippel	Grease joint		
	50	2			9898-1035-16	Skruv	Screw		
	51	2			9739-1031-22	Mutter	Nut		
	99				9545-0203-00	Innerslang	Inner tube		Reservdel/spare part



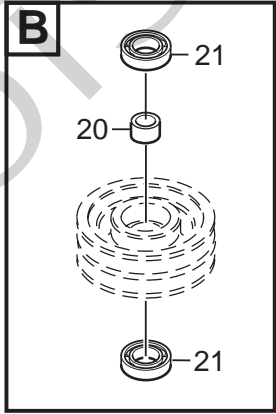
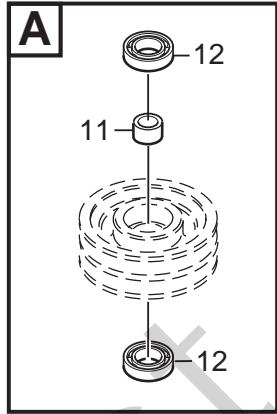
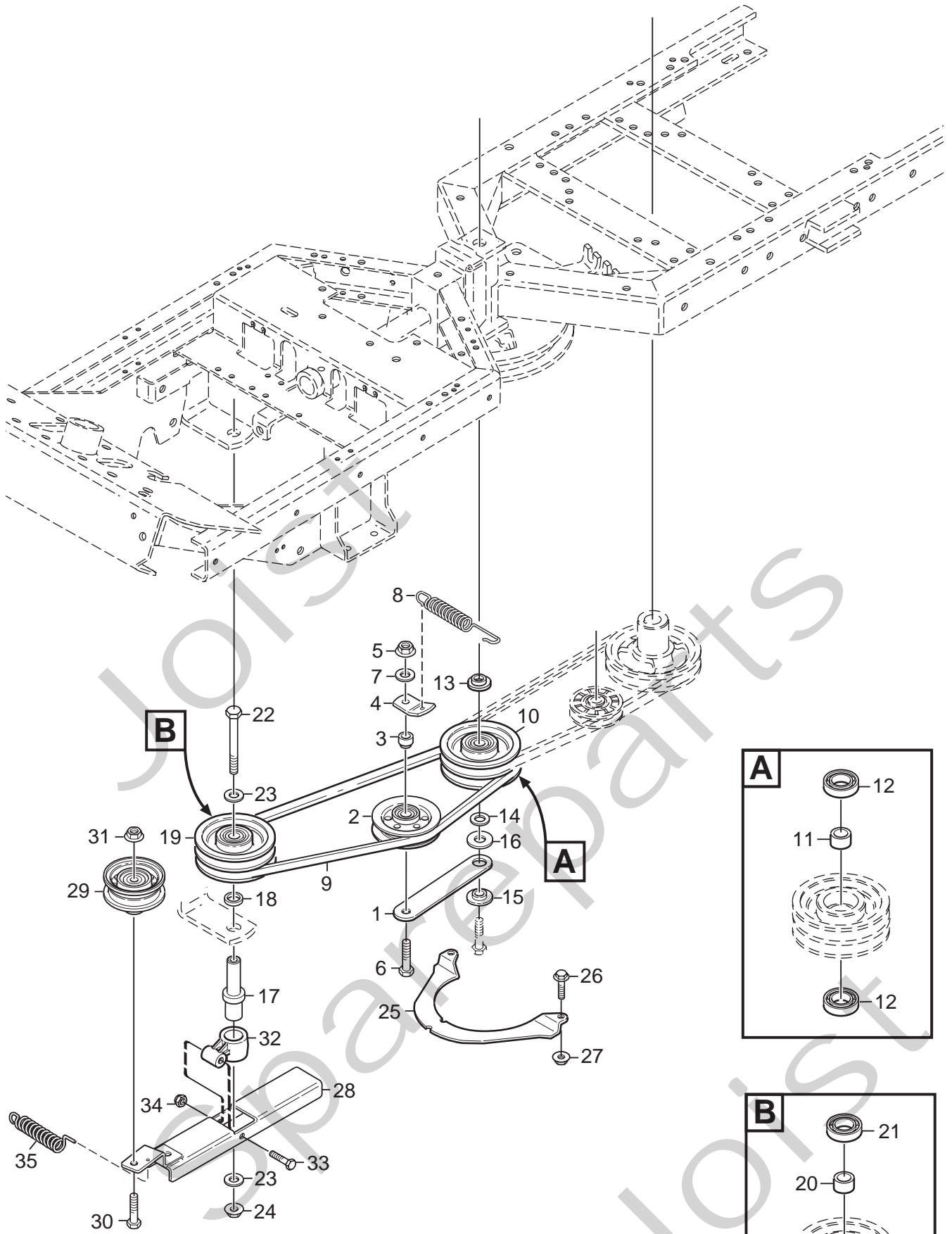
Utgåva Issue		Bildnr Picture No		PARK 2WD KRAFTUTTAG		PARK 2WD POWER TAKE-OFF		Sida Page	
2007- 11		1030G						114	
Pos. Fig.	Antal/Quantity				Art nr Part No	Benämning	Description	Sats Kit	Anmärkning Notes
	6182 6183 6184	6187 6189 6190							
1	1	1	1		1134-5548-01	Distans	Spacer		
2	1	1	1		1134-5109-01	Spännhjularm	Tension wheel arm		
3	1	1	1		1134-1770-01	Spännrulle	Tension roller		
4	1	1	1		1134-1888-04	Distans	Spacer		
5	1	1	1		1134-5111-01	Fjäder	Spring		
6	1	1	1		9699-0056-02	Planbricka	Flat washer		
7	1	1	1		9739-0831-22	Mutter	Nut		
8	1	1	1		9997-0855-12	Skruv	Screw		
10	1	1	1		1134-1769-03	Centrumremskiva kpl.	Centre pulley assy		
11	1	1	1		1134-0051-09	• Distans	• Spacer		
12	2	2	2		9549-0019-00	• Kullager	• Ball bearing		
13	1	1	1		1134-5112-01	Fjäderfäste	Spring attachment		
14	2	2	2		9945-0816-16	Skruv	Screw		
15	1	1	1		1134-5110-01	Hake	Hook		
16	2	2	2		9893-0616-16	Skruv	Screw		
18	1	1	1		1134-2018-02	Spännarm	Tension arm		
19	1	1	1		1134-9027-02	Spännrulle- grå	Tension roller- grey		
20	1	1	1		1134-9071-01	Drivrem	V- belt		= 9585-0129-01
21	1	1	1		9997-1030-16	Skruv	Screw		
22	1	1	1		9799-1031-02	Mutter	Nut		
23	1	1	1		1134-4111-01	Bromsarm	Brake arm		
24	1	1	1		1134-4164-03	Bromsklots	Brake pad		
25	1	1	1		9897-0825-16	Skruv	Screw		
26	1	1	1		9747-0831-02	Mutter	Lock nut		
27	1	1	1		1134-4162-01	Bromsstång	Brake rod		
28	1	1	1		9675-0008-02	Starlock	Locking washer		
29	1	1	1		1134-4170-01	Nippel	Nipple		
30	1	1	1		9699-0025-02	Planbricka	Washer		
31	1	1	1		9747-0631-02	Låsmutter	Lock nut		
32	1	1	1		4231-0013-00	Fjäder	Spring		
33	1	1	1		1134-4231-01	Dragfjäder	Spring		
34	1	1	1		1134-1565-10	Distans	Spacer		
35	1	1	1		9997-0860-16	Skruv	Screw		
36	1	1	1		9699-0056-02	Planbricka	Flat washer		
37	1	1	1		9739-0831-22	Mutter	Nut		
38	1	1	1		1134-4163-01	Ansatsskruv	Shoulder bolt		
39	1	1	1		9731-1031-22	Mutter	Nut		
40	1	1	1		1134-3958-01	Remstyrning	Belt guide		
41	2	2	2		9893-0616-16	Skruv	Screw		
42	1	1	1		1134-0041-03	Hylsa	Collar		
43	1	1	1		9997-1070-12	Skruv	Screw		
44	1	1	1		9739-1031-22	Mutter	Nut		
45	1	1	1		1134-3654-01	Fingerskydd	Finger guard		
46	2	2	2		9959-0612-16	Skruv	Screw		
47	2	2	2		9739-0631-22	Mutter	Nut		
48	1	1	1		9699-0090-02	Planbricka	Flat washer		
49	2	2	2		9699-0035-02	Planbricka	Flat washer		



Utgåva Issue		Bildnr Picture No		PARK 4WD PRESTIGE UNLTD (IT)- POWER (CZ) KRAFTUTTAG 1		PARK 4WD PRESTIGE UNLTD (IT)- POWER (CZ) POWER TAKE- OFF 1		Sida Page	
2007- 11		2030						116	
Pos. Fig.	Antal/Quantity				Art nr Part No	Benämning	Description	Sats Kit	Anmärkning Notes
	6185	6191	6192						
X 1	1				1134-2018-02	Spännarm	Tension arm		
2	1				1134-9027-02	Spännrulle- grå	Tension roller- grey		
3	1				1134-9071-01	Drivrem	V- belt		
4	1				9997-1030-16	Skruv	Screw		= 9585-0129-01
5	1				9799-1031-02	Mutter	Nut		
6	1				1134-4162-01	Bromsstång	Brake rod		
7	1				9675-0008-02	Starlock	Locking washer		
8	1				1134-4170-01	Nippel	Nipple		
9	1				1134-4111-01	Bromsarm	Brake arm		
10	1				1134-4164-03	Bromsklots	Brake pad		
11	2				9699-0035-02	Planbricka	Flat washer		
12	1				9897-0825-16	Skruv	Screw		
13	1				9747-0831-02	Mutter	Lock nut		
14	1				9699-0090-02	Planbricka	Flat washer		
15	1				9699-0025-02	Planbricka	Washer		
16	1				9747-0631-02	Låsmutter	Lock nut		
17	1				4231-0013-00	Fjäder	Spring		
18	1				1134-4231-01	Dragfjäder	Spring		
19	1				1134-1565-10	Distans	Spacer		
20	1				9997-0860-16	Skruv	Screw		
21	1				9699-0056-02	Planbricka	Flat washer		
22	1				9739-0831-22	Mutter	Nut		
23	1				1134-4163-01	Ansatsskruv	Shoulder bolt		
24	1				9699-0035-02	Planbricka	Flat washer		
25	1				9739-1031-22	Mutter	Nut		
26	1				1134-3958-01	Remstyrning	Belt guide		
27	2				9893-0616-16	Skruv	Screw		
28	1				1134-0041-03	Hylsa	Collar		
29	1				9997-1070-12	Skruv	Screw		
30	1				9739-1031-22	Mutter	Nut		



Utgåva Issue 2007- 11		Bildnr Picture No 2209		PARK 4WD DIESEL KRAFTUTTAG 1		PARK 4WD DIESEL POWER TAKE- OFF 1		Sida Page 118	
Pos. Fig.	Antal/Quantity				Art nr Part No	Benämning	Description	Sats Kit	Anmärkning Notes
	6181								
18	1				1134-3658-02	Spännarm	Tensioning arm		= 9585-0088-00
19	1				1134-3663-01	Spännrulle	Tension wheel		
20	1				9997-1040-16	Skruv	Screw		
21	1				9739-1031-22	Mutter	Nut		
22	1				1134-9047-01	Drivrem	V- belt.....		
23	1				1134-1565-10	Distans	Spacer		
24	1				1134-3379-01	Fjäder.....	Spring		
25	1				9699-0056-02	Planbricka.....	Flat washer.....		
26	1				9739-0831-22	Mutter	Nut		
27	1				9997-0860-16	Skruv	Screw		
28	1				1134-0041-03	Hylsa	Collar		
29	1				9997-1070-12	Skruv	Screw		
30	1				9739-1031-22	Mutter	Nut		
31	1				1134-3638-01	Magnetkoppling.....	Electric pto- clutch		
31 A	1				1134-5016-01	• Bussning.....	• Bushing.....		
40	1				1134-4924-01	Momentstag	Strut		
41	2				9997-1050-16	Skruv	Screw		
42	2				9739-1031-22	Mutter.....	Nut		



Utgåva Issue 2007- 11		Bildnr Picture No 2031A		PARK 4WD PRESTIGE- DIESEL UNLTD (IT)- POWER (CZ) KRAFTUTTAG 2		PARK 4WD PRESTIGE- DIESEL UNLTD (IT)- POWER (CZ) POWER TAKE- OFF 2		Sida Page 120	
Pos. Fig.	Antal/Quantity				Art nr Part No	Benämning	Description	Sats Kit	Anmärkning Notes
	6181	6185	6191	6192					
1	1				1134- 1730- 01	Spännhjulsarm	Tension wheel arm		
2	1				1134- 3663- 01	Spännrulle	Tension wheel		
3	1				1134- 1888- 05	Distans	Spacer		
4	1				1134- 1893- 01	Fjäderfäste	Spring attachment		
5	1				9739- 1031- 22	Mutter	Nut		
6	1				9997- 1060- 12	Skruv	Screw		
7	1				9699- 0035- 02	Planbricka	Flat washer		
8	1				1134- 5713- 01	Dragfjäder	Spring		
9	1				1134- 9098- 01	Drivrem	V- belt		= 9585- 0148- 01
10	1				1134- 1769- 03	Centrumremskiva kpl.	Centre pulley assy		
11	1				1134- 0051- 09	• Distans	• Spacer		
12	2				9549- 0019- 00	• Kullager	• Ball bearing		
13	1				1134- 5548- 01	Distans	Spacer		
14	1				9699- 0035- 02	Planbricka	Flat washer		
15	1				1134- 0222- 00	Bricka	Washer		
16	1				9699- 0109- 02	Planbricka	Flat washer		
17	1				1134- 5663- 01	Axel	Shaft		
18	1				1134- 0052- 00	Lagerdistans	Bearing spacer		
19	1				1134- 1769- 03	Centrumremskiva kpl.	Centre pulley assy		
20	1				1134- 0051- 09	• Distans	• Spacer		
21	2				9549- 0019- 00	• Kullager	• Ball bearing		
22	1				9997- 1011- 06	Skruv	Screw		
23	2				9699- 0030- 02	Planbricka	Flat washer		
24	1				9739- 1031- 22	Mutter	Nut		
25	1				1134- 3654- 01	Fingerskydd	Finger guard		
26	2				9959- 0612- 16	Skruv	Screw		
27	2				9739- 0631- 22	Mutter	Nut		
28	1				1134- 5660- 01	Spännarm	Tension arm		
29	1				1134- 5823- 01	Spännrulle	Tension roller		
30	1				9997- 1050- 16	Skruv	Screw		
31	1				9739- 1031- 22	Mutter	Nut		
32	1				1134- 6314- 01	Spännarmsfäste	Attachment		
33	1				9997- 0645- 12	Skruv	Screw		
34	1				9747- 0631- 02	Låsmutter	Lock nut		
35	1				1134- 5824- 01	Fjäder	Spring		

X