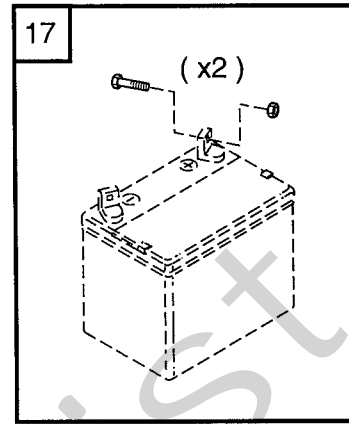
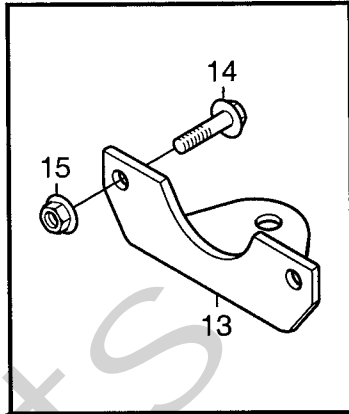
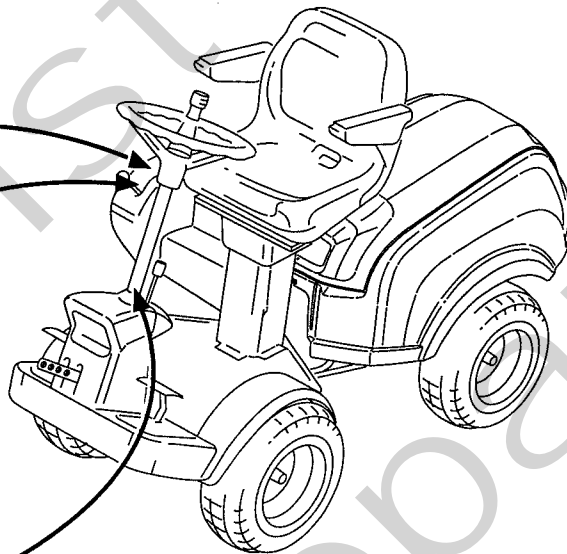
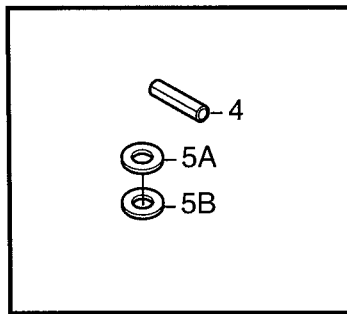
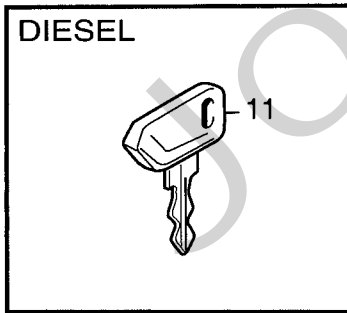
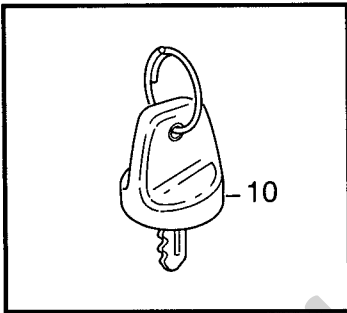
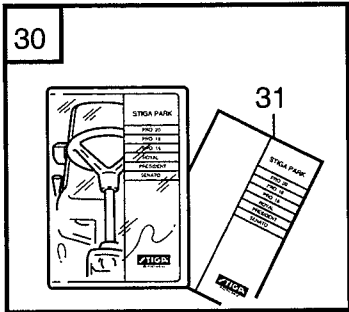


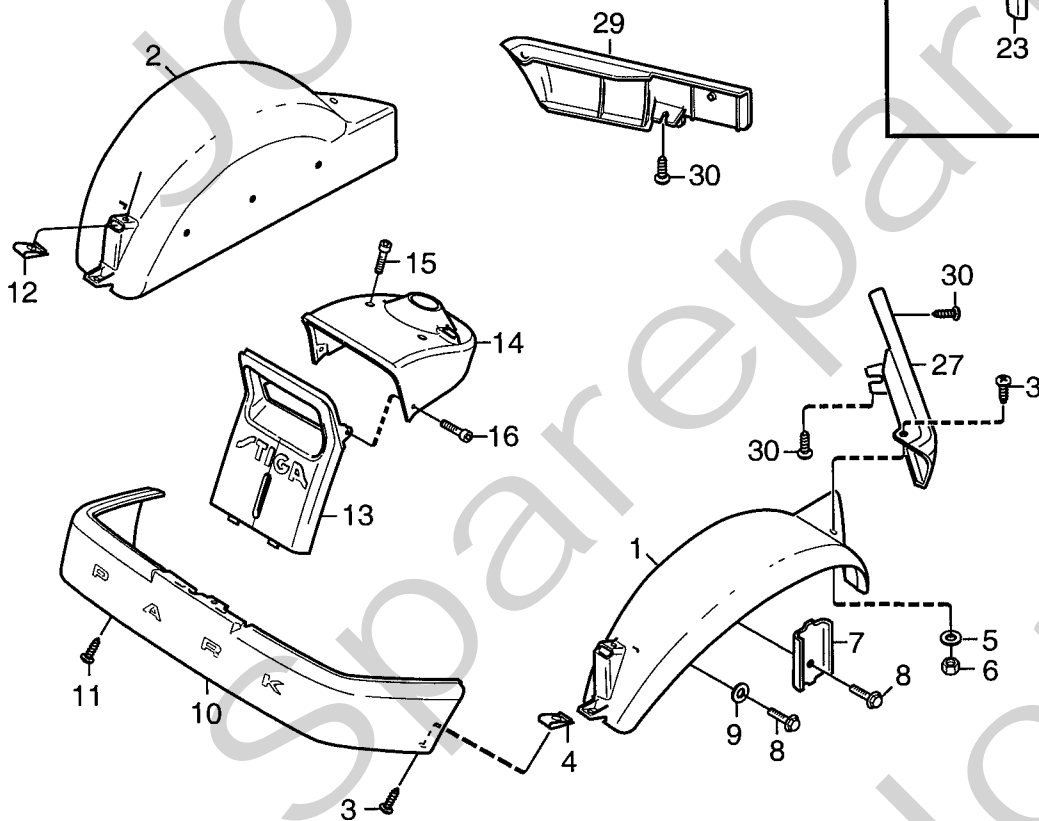
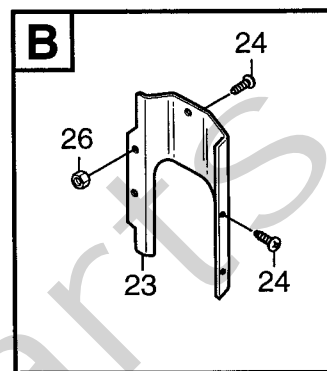
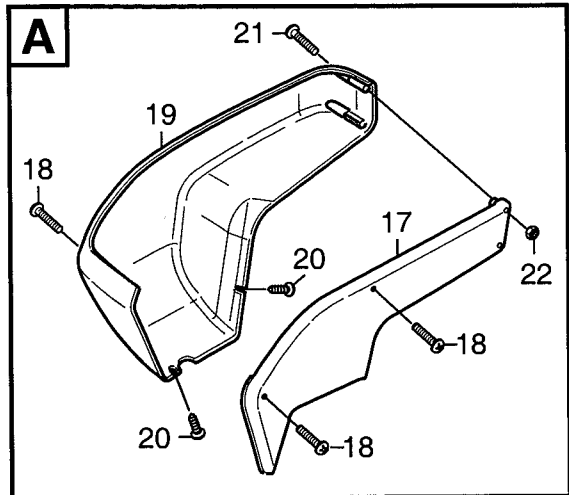
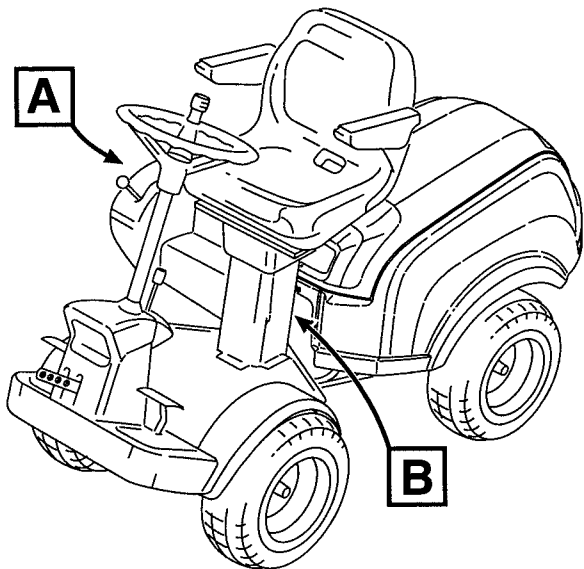
Genuine Spare Parts



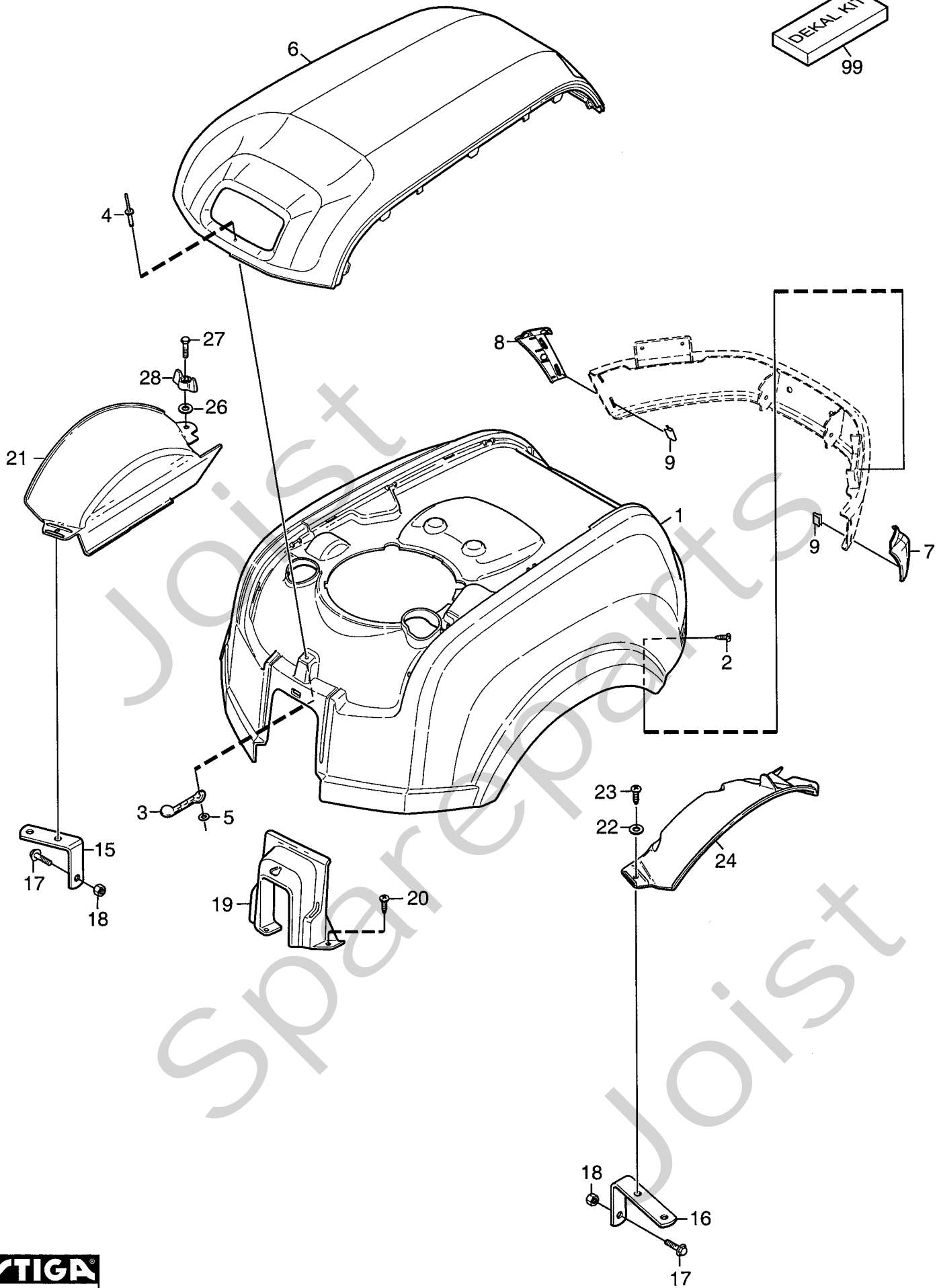
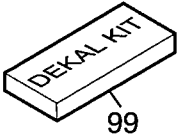
Joist
Spareparts
Joist



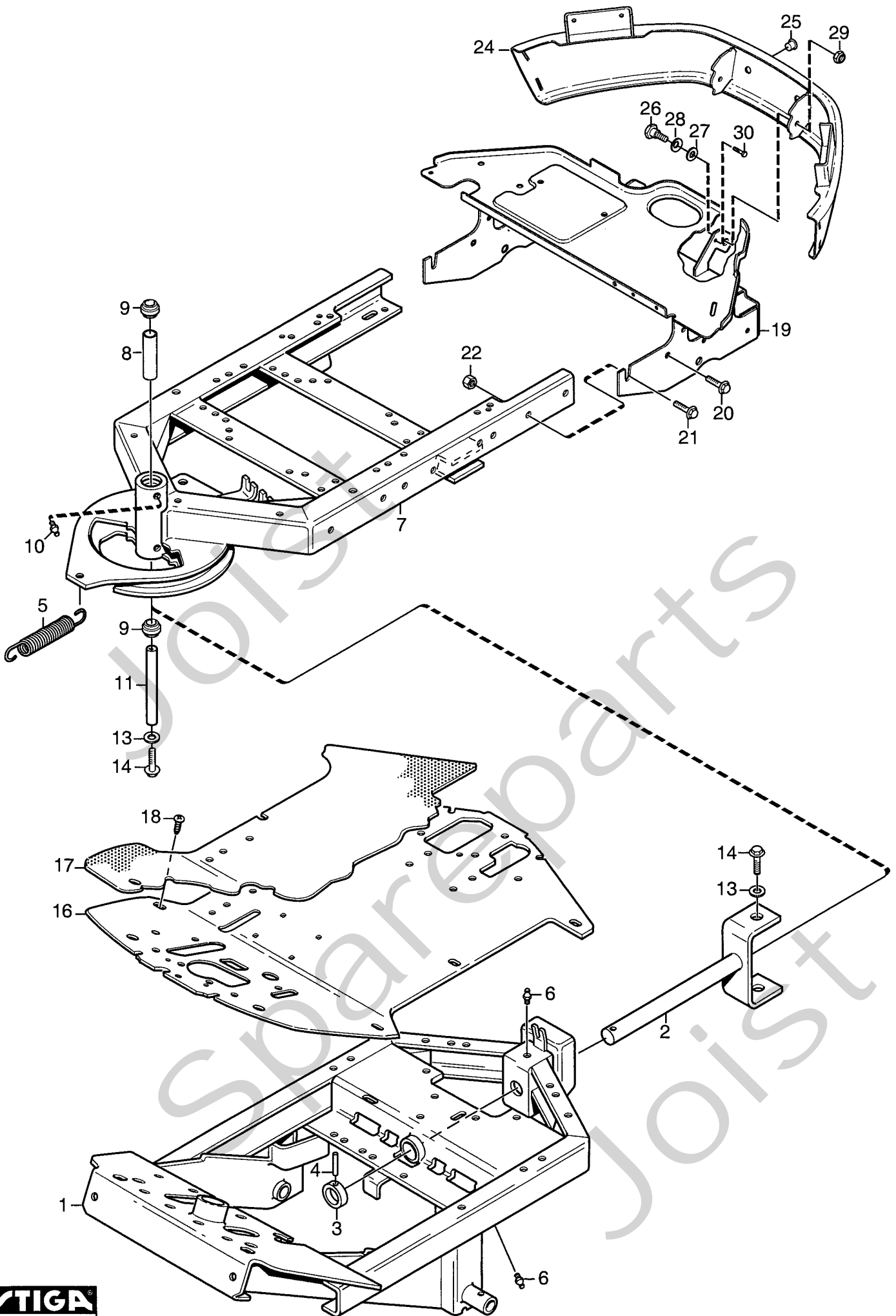
Utgåva Issue		Bildnr Picture No		PARK COMFORT-ROYAL-DIESEL PRESTIGE-DIESEL 4WD MONTERINGSDETALJER		PARK COMFORT-ROYAL-DIESEL PRESTIGE-DIESEL 4WD ASSEMBLY PARTS		Sida Page	
2006-11		2014						76	
Pos. Fig.	Antal/Quantity				Art nr Part No	Benämning	Description	Sats Kit	Anmärkning Notes
	6182 6183	6180	6185	6181					
X	0	1		1	1134-4249-08	Monteringsdetaljer.....	Assembly parts		
X	0		1		1134-4249-09	Monteringsdetaljer.....	Assembly parts		
	4	1	1	1	9595-0262-00	• Spännstift	• Locating pin		
	5A	1	1	1	9699-0103-02	• Shims	• Flat washer	0.5 mm	
	5B	1	1	1	9699-0114-02	• Shims	• Flat washer	1.0 mm	
	10	2		2	1134-4734-01	• Tändningsnyckel.....	• Ignition key		
	11		2		1134-4909-01	• Tändningsnyckel.....	• Ignition key		
	13	1	1	1	1134-5512-01	• Dragplåt.....	• Towing plate		
	14	2	2	2	9959-0820-16	• Skruv	• Screw		
	15	2	2	2	9739-0831-22	• Mutter.....	• Nut		
X	17	1	1	1	1134-6113-02	• Batteriskruvar	• Battery screws		
X	30	1		1	1134-3771-86	Mapp m. trycksaker.....	Folder w. manuals		
X	30		1		1134-3771-94	Mapp m. trycksaker.....	Folder w. manuals		
X	31	1	1	1	8211-0209-13	• Säkerhetsföreskrifter	• Safety regulations		
X	31	1		1	8211-0348-01	• Certifikat	• Certificate		
X	31		1		8211-0350-01	• Certifikat	• Certificate		
X	31	1	1	1	8211-0541-04	• Monteringsanvisning	• Assy instructions		
X	31	1		1	8211-0544-02	• Servicebok	• Service book		
X	31		1		8211-0555-01	• Bruksanvisning	• Owner's manual		
X	31		1		8211-0556-01	• Bruksanvisning	• Owner's manual		
X	31		1		8211-0560-01	• Servicebok	• Service book		
X	31	1		1	8211-0562-01	• Bruksanvisning	• Owner's manual		
X	31	1		1	8211-0563-01	• Bruksanvisning	• Owner's manual		
X	31	1	1	1	8211-2002-03	• Garantikort.....	• Warranty card		



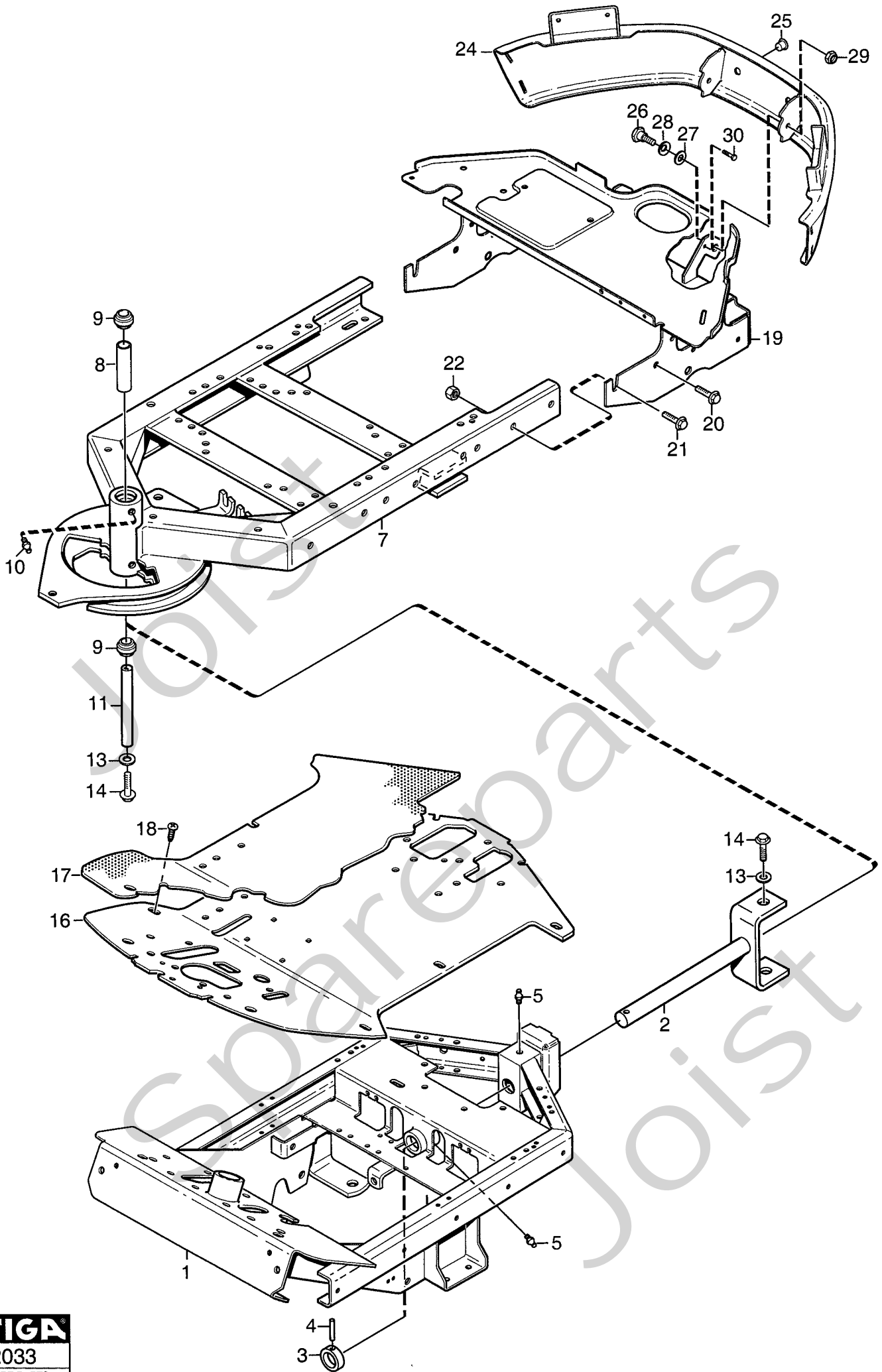
Utgåva Issue 2006-11		Bildnr Picture No 2015			PARK COMFORT-ROYAL-DIESEL PRESTIGE-DIESEL 4WD KAROSS-FRAM		PARK COMFORT-ROYAL-DIESEL PRESTIGE-DIESEL 4WD BODY WORK-FRONT		Sida Page 78	
Pos. Fig.	Antal/Quantity				Art nr Part No	Benämning	Description	Sats Kit	Anmärkning Notes	
	6182 6183	6180	6185	6181						
1	1	1	1	1	1134-3943-01	Skärm-vä, gul	Mud guard- LH, yell.....			
2	1	1	1	1	1134-3943-02	Skärm-hö, gul	Mud guard- RH, yell.....			
3	4	4	4	4	9893-0616-16	Skruv	Screw			
4	4	4	4	4	1134-4176-01	Clips	Clips			
5	2	2	2	2	9699-0060-02	Planbricka	Flat washer			
6	2	2	2	2	9747-0631-02	Låsmutter	Lock nut			
7	2	2	2	2	1134-0225-00	Stödplåt	Support plate			
8	6	6	6	6	9945-0816-16	Skruv	Screw			
9	4	4	4	4	9699-0056-02	Planbricka	Flat washer			
10	1	1	1	1	1134-4220-02	Stötfångare-grå	Bumper- grey			
11	6	6	6	6	9893-0616-16	Skruv	Screw			
12	2	2	2	2	1134-4176-01	Clips	Clips			
13	1	1	1	1	1134-4216-05	Frontdekor- gul	Front plate- yellow			
14	1	1	1	1	1134-3984-03	Frontdekor övre- gul	Front plate upper- yel			
15	2	2	2	2	9946-0525-16	Skruv	Screw			
16	2	2	2	2	9840-8019-16	Skruv	Screw			
17	1	1	1	1	1134-4360-01	Kåpa- inre	Cover- inner			
18	3	3	3	3	9946-0525-16	Skruv	Screw			
19	1	1	1	1	1134-3979-01	Kåpa- yttre	Cover- outer			
20	2	2	2	2	9840-8019-16	Skruv	Screw			
21	2	2	2	2	9950-0570-12	Skruv	Screw			
22	2	2	2	2	9747-0531-02	Mutter	Nut			
23	1	1	1	1	1134-5694-01	Bakstycke	Rear plate			
24	4	4	4	4	9893-0616-16	Skruv	Screw			
26	2	2	2	2	9739-0631-22	Mutter	Nut			
27	1	1	1	1	1134-3970-05	Kantlist- vä, grå	Moulding- LH, grey			
29	1	1	1	1	1134-3970-02	Kantlist- hö, grå	Moulding- RH, grey			
30	4	4	4	4	9893-0616-16	Skruv	Screw			



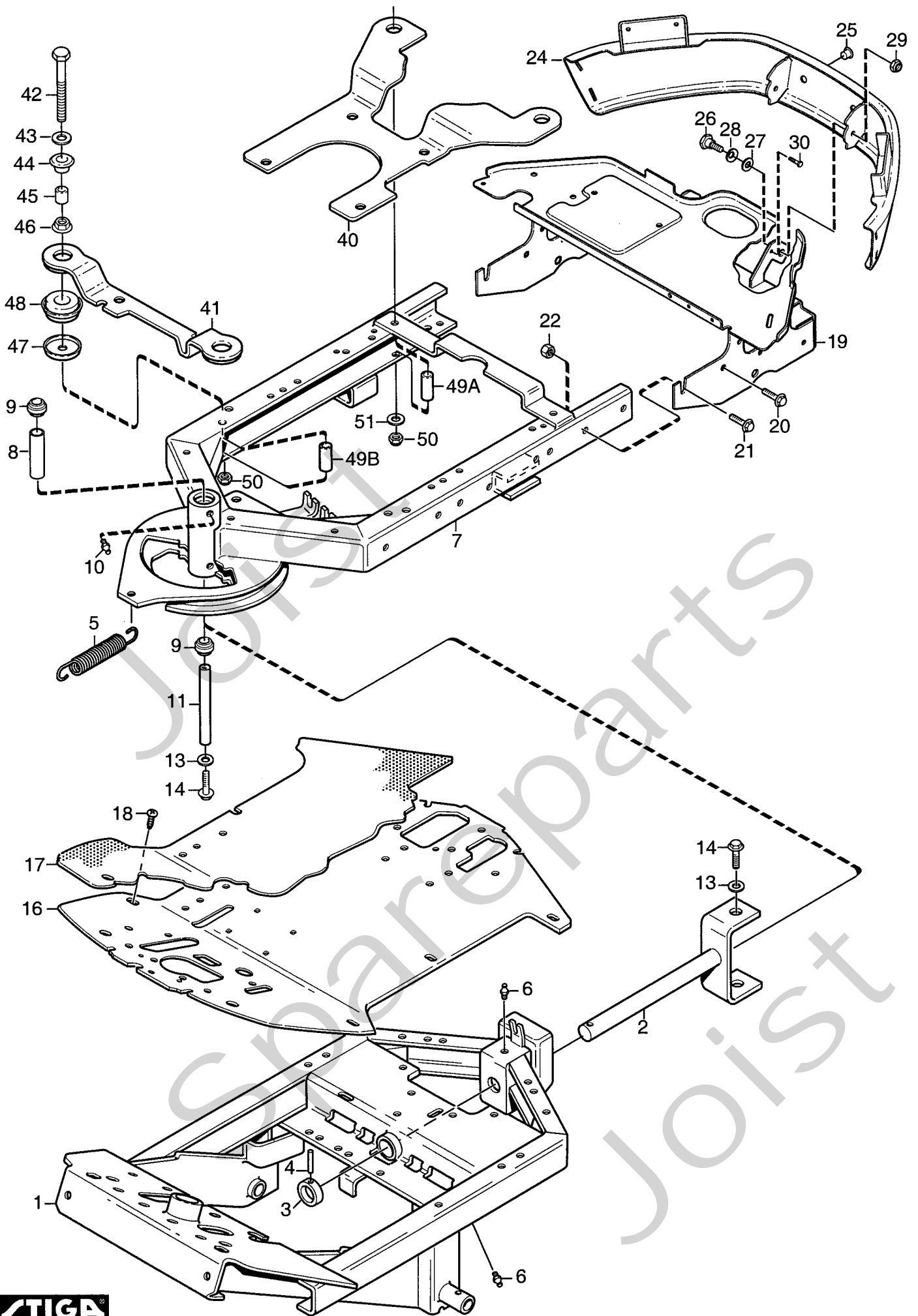
Utgåva Issue		Bildnr Picture No				PARK COMFORT-ROYAL-DIESEL PRESTIGE-DIESEL 4WD KAROSS-BAK		PARK COMFORT-ROYAL-DIESEL PRESTIGE-DIESEL 4WD BODY WORK-REAR		Sida Page
2006-11		2016								80
Pos. Fig.	Antal/Quantity				Art nr Part No	Benämning	Description	Sats Kit	Anmärkning Notes	
	6182	6183	6185	6180 6181						
X	1	1	1	1	1	1134-6025-01 Motorhuv.....	Engine hood.....			
	2	4	4	4	4	9893-0616-16 Skruv.....	Screw.....			
	3	1	1	1	1	1134-9028-01 Gummistropp- sats.....	Rubber strap kit.....		Sats 3 st/kit of 3	
	4	1	1	1	1	9632-0513-00 Popnit.....	Pop rivet.....			
	5	1	1	1	1	9699-0120-02 Bricka.....	Washer.....			
X	6	1	1	1	1	1134-6026-01 Motorlucka.....	Engine cover.....			
X	7	1	1	1	1	1134-6027-01 Ändavslut- vä.....	Bumper end- LH.....			
X	8	1	1	1	1	1134-6027-02 Ändavslut- hö.....	Bumper end- RH.....			
X	9	4	4	4	4	1134-6098-01 Clips.....	Clips.....			
	15		1		1	1134-4012-03 Stödkonsol- hö.....	Support- RH.....			
	16		1		1	1134-4012-04 Stödkonsol- vä.....	Support- LH.....			
	17		2		2	9959-0816-16 Skruv.....	Screw.....			
	18		2		2	9739-0831-22 Mutter.....	Nut.....			
X	19	1	1		1	1134-5265-02 Huvstöd.....	Hood support.....		2WD	
X	19			1	1	1134-6241-01 Huvstöd.....	Hood support.....		4WD	
	20	3	3	3	3	9893-0616-16 Skruv.....	Screw.....			
	21		1		1	1134-4800-01 Innerskärm- hö.....	Inner mud guard- RH.....			
	22		4		3	9699-0060-02 Planbricka.....	Flat washer.....			
	23		4		3	9893-0616-16 Skruv.....	Screw.....			
	24		1		1	1134-4801-01 Innerskärm- vä.....	Inner mud guard- LH.....			
	26				2	9699-0060-02 Planbricka.....	Flat washer.....			
	27				1	9997-0625-16 Skruv.....	Screw.....			
	28				1	1134-4481-02 Vingmutter.....	Wing nut.....			
99		1	1			1134-4593-03 Dekalsats.....	Decal kit.....		Royal	
99						1134-4593-07 Dekalsats.....	Decal kit.....		Comfort	
99				1	1	1134-4593-08 Dekalsats.....	Decal kit.....		Diesel	
99						1134-4593-10 Dekalsats.....	Decal kit.....		Prestige	



Utgåva Issue		Bildnr Picture No		PARK 2WD COMFORT-ROYAL RAM		PARK 2WD COMFORT-ROYAL FRAME		Sida Page	
2006-11		2017						82	
Pos. Fig.	Antal/Quantity			Art nr Part No	Benämning	Description	Sats Kit	Anmärkning Notes	
	6182 6183								
1	1			1134-5315-02	Ram-främre	Frame-front			
2	1			1134-3963-02	• Midjegaffel	• Clevis			
3	1			1134-0031-00	• Ledaxelstopp	• Pivot shaft stop			
4	1			9595-0262-00	• Spännstift	• Locating pin			
5	1			1134-2171-01	Fjäder	Spring			
6	2			9501-0500-00	Smörjnippel	Grease joint			
7	1			1134-6081-01	Ram-bakre	Frame-rear			
8	1			1134-5705-01	• Distans	• Spacer			
9	2			9547-0001-00	• Ledlager	• Bearing			
10	2			9501-0500-00	• Smörjnippel	• Grease joint			
11	1			1134-5988-01	Centrumaxel	Centre shaft			
13	2			9699-0035-02	Planbricka	Flat washer			
14	2			9959-1025-16	Skruv	Screw			
16	1			1134-5294-01	Durk	Floor plate			
17	1			1134-5514-03	Durkmatta	Floor mat			
18	2			9893-0616-16	Skruv	Screw			
19	1			1134-5944-01	Tankhylla	Tank shelf			
20	2			9945-0816-16	Skruv	Screw			
21	2			9959-0820-16	Skruv	Screw			
22	2			9739-0831-22	Mutter	Nut			
24	1			1134-5676-01	Stötfångare	Bumper			
25	2			1134-4100-01	Täckpropp	Plug			
26	2			1134-0240-00	Ansattsskruv	Shoulder screw			
27	2			1134-4242-01	Distansbricka	Spacer washer			
28	2			9665-0002-00	Brickfjäder	Bowed washer			
29	2			9747-0831-02	Mutter	Lock nut			
30	2			9943-0516-16	Skruv	Screw			

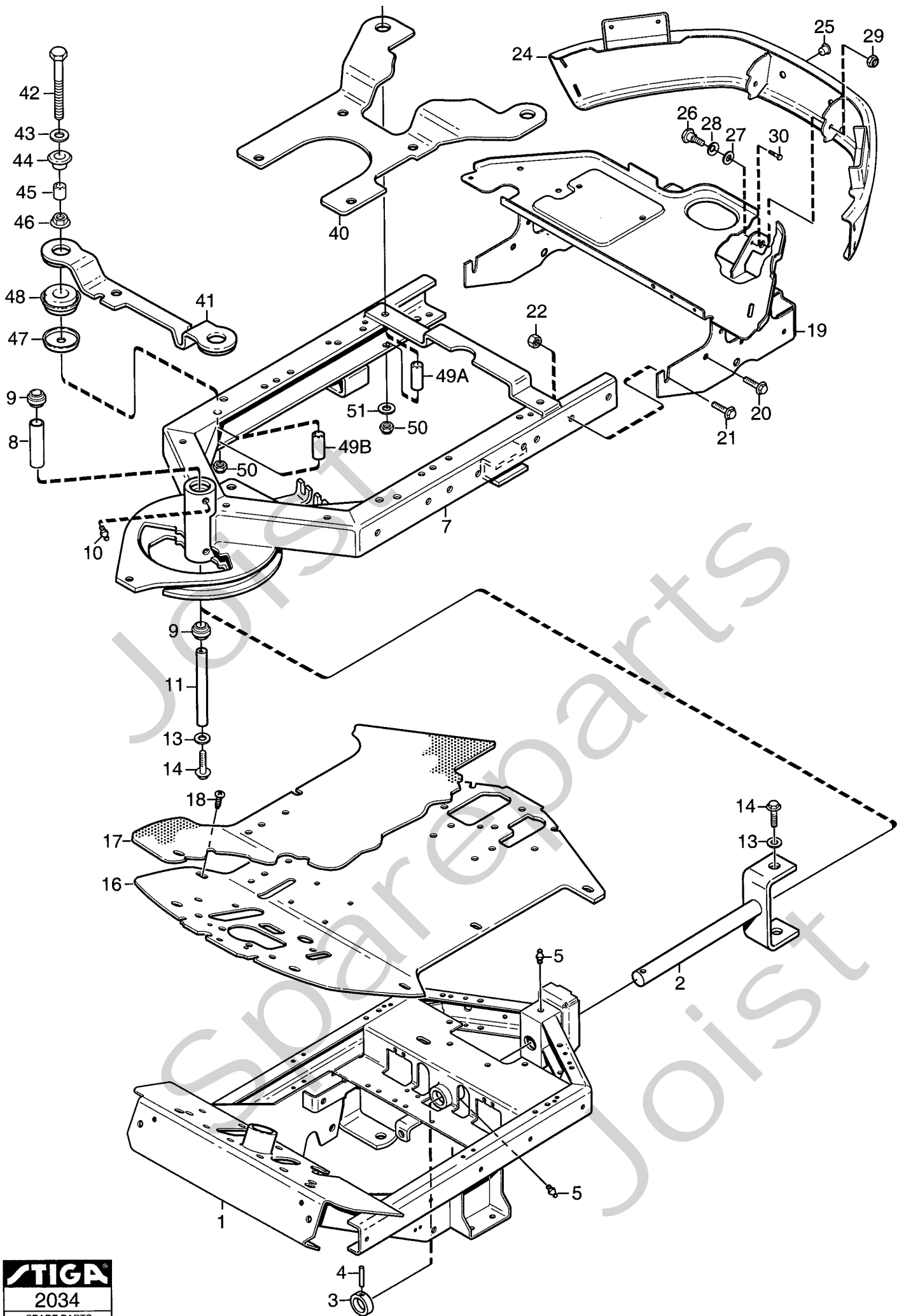


Utgåva Issue 2006-11		Bildnr Picture No 2033		PARK 4WD PRESTIGE RAM		PARK 4WD PRESTIGE FRAME		Sida Page 84	
Pos. Fig.	Antal/Quantity			Art nr Part No	Benämning	Description	Sats Kit	Anmärkning Notes	
	6185								
1	1			1134-5656-01	Ram-främre	Frame- front			
2	1			1134-3963-02	• Midjegaffel	• Clevis			
3	1			1134-0031-00	• Ledaxelstopp	• Pivot shaft stop			
4	1			9595-0262-00	• Spännstift	• Locating pin			
5	2			9501-0500-00	• Smörjnippel	• Grease joint			
7	1			1134-6081-01	Ram-bakre	Frame- rear			
8	1			1134-5705-01	• Distans	• Spacer			
9	2			9547-0001-00	• Ledlager	• Bearing			
10	2			9501-0500-00	• Smörjnippel	• Grease joint			
11	1			1134-5988-01	Centrumaxel	Centre shaft			
13	2			9699-0035-02	Planbricka	Flat washer			
14	2			9959-1025-16	Skruv	Screw			
16	1			1134-5294-01	Durk	Floor plate			
17	1			1134-5514-03	Durkmatta	Floor mat			
18	2			9893-0616-16	Skruv	Screw			
19	1			1134-5944-01	Tankhylla	Tank shelf			
20	2			9945-0816-16	Skruv	Screw			
21	2			9959-0820-16	Skruv	Screw			
22	2			9739-0831-22	Mutter	Nut			
24	1			1134-5676-01	Stötfångare	Bumper			
25	2			1134-4100-01	Täckpropp	Plug			
26	2			1134-0240-00	Ansatskruv	Shoulder screw			
27	2			1134-4242-01	Distansbricka	Spacer washer			
28	2			9665-0002-00	Brickfjäder	Bowed washer			
29	2			9747-0831-02	Mutter	Lock nut			
30	2			9943-0516-16	Skruv	Screw			



Utgåva Issue		Bildnr Picture No		PARK 2WD DIESEL RAM		PARK 2WD DIESEL FRAME		Sida Page	
2006-11		2018						86	
Pos. Fig.	Antal/Quantity			Art nr Part No	Benämning	Description	Sats Kit	Anmärkning Notes	
	6180								
1	1			1134-5315-02	Ram-främre	Frame-front			
2	1			1134-3963-02	• Midjegaffel	• Clevis			
3	1			1134-0031-00	• Ledaxelstopp	• Pivot shaft stop			
4	1			9595-0262-00	• Spännstift	• Locating pin			
5	1			1134-2171-01	Fjäder	Spring			
6	2			9501-0500-00	Smörjnippel	Grease joint			
7	1			1134-6046-01	Ram-bakre	Frame-rear			
8	1			1134-5705-01	• Distans	• Spacer			
9	2			9547-0001-00	• Ledlager	• Bearing			
10	2			9501-0500-00	• Smörjnippel	• Grease joint			
11	1			1134-5988-01	Centrumaxel	Centre shaft			
13	2			9699-0035-02	Planbricka	Flat washer			
14	2			9959-1025-16	Skruv	Screw			
16	1			1134-5294-01	Durk	Floor plate			
17	1			1134-5514-03	Durkmatta	Floor mat			
18	2			9893-0616-16	Skruv	Screw			
19	1			1134-5944-01	Tankhylla	Tank shelf			
20	2			9945-0816-16	Skruv	Screw			
21	2			9959-0820-16	Skruv	Screw			
22	2			9739-0831-22	Mutter	Nut			
24	1			1134-5676-01	Stötfångare	Bumper			
25	2			1134-4100-01	Täckpropp	Plug			
26	2			1134-0240-00	Ansatsskruv	Shoulder screw			
27	2			1134-4242-01	Distansbricka	Spacer washer			
28	2			9665-0002-00	Brickfjäder	Bowed washer			
29	2			9747-0831-02	Mutter	Lock nut			
30	2			9943-0516-16	Skruv	Screw			
40	1			1134-6037-01	Motorstag	Engine support			
41	1			1134-4918-01	Motorstag-fram	Engine support-front			
42	4			9997-1011-06	Skruv	Screw			
43	4			9699-0030-02	Planbricka	Flat washer			
44	4			1111-2453-01	Isolering	Grommet			
45	4			1134-4919-01	Distans	Spacer			
46	4			9739-1031-22	Mutter	Nut			
47	4			1134-4915-01	Stödkopp	Support cup			
48	4			1134-4920-01	Dämpelament	Vibration absorber			
49A	2			1134-0041-03	Hylsa	Collar		L = 55 mm	
49B	2			1134-0041-06	Hylsa	Collar		L = 52 mm	
50	4			9747-1031-02	Låsmutter	Lock nut			
51	2			9699-0030-02	Planbricka	Flat washer			

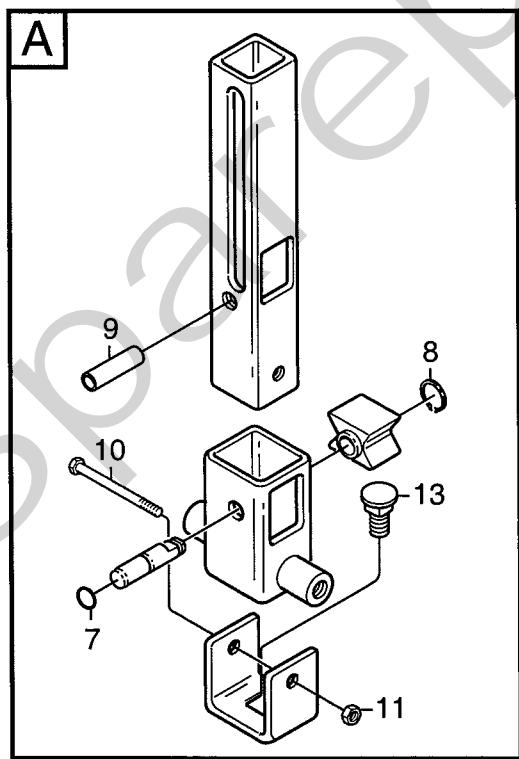
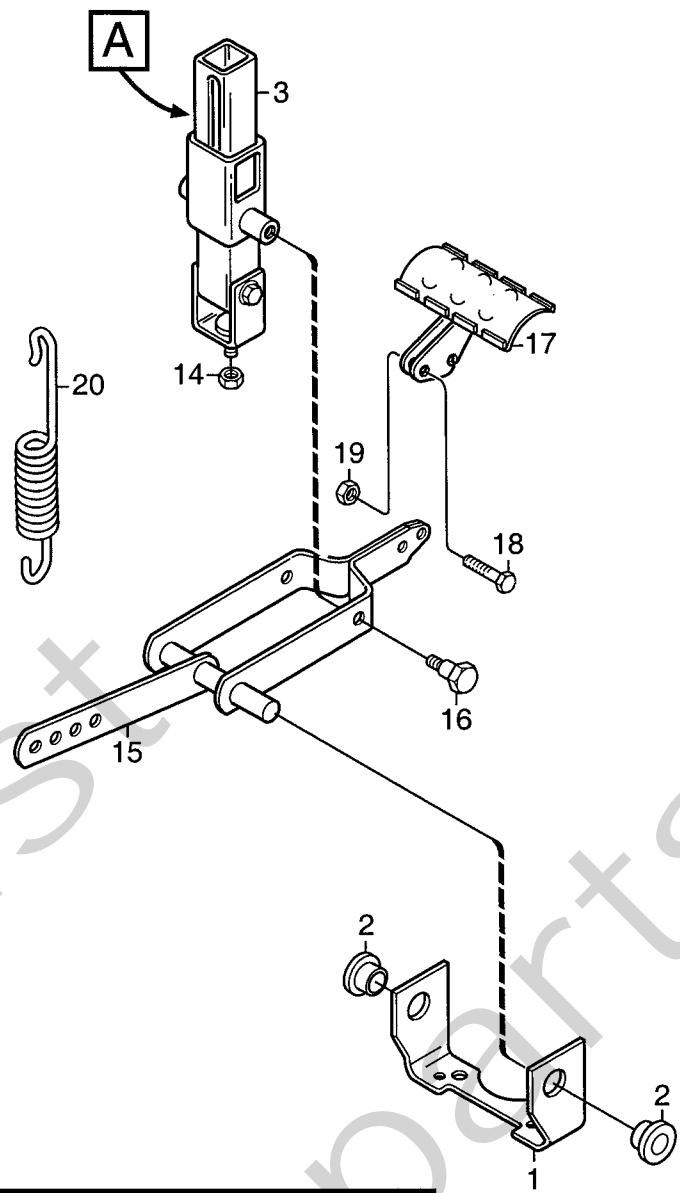
X



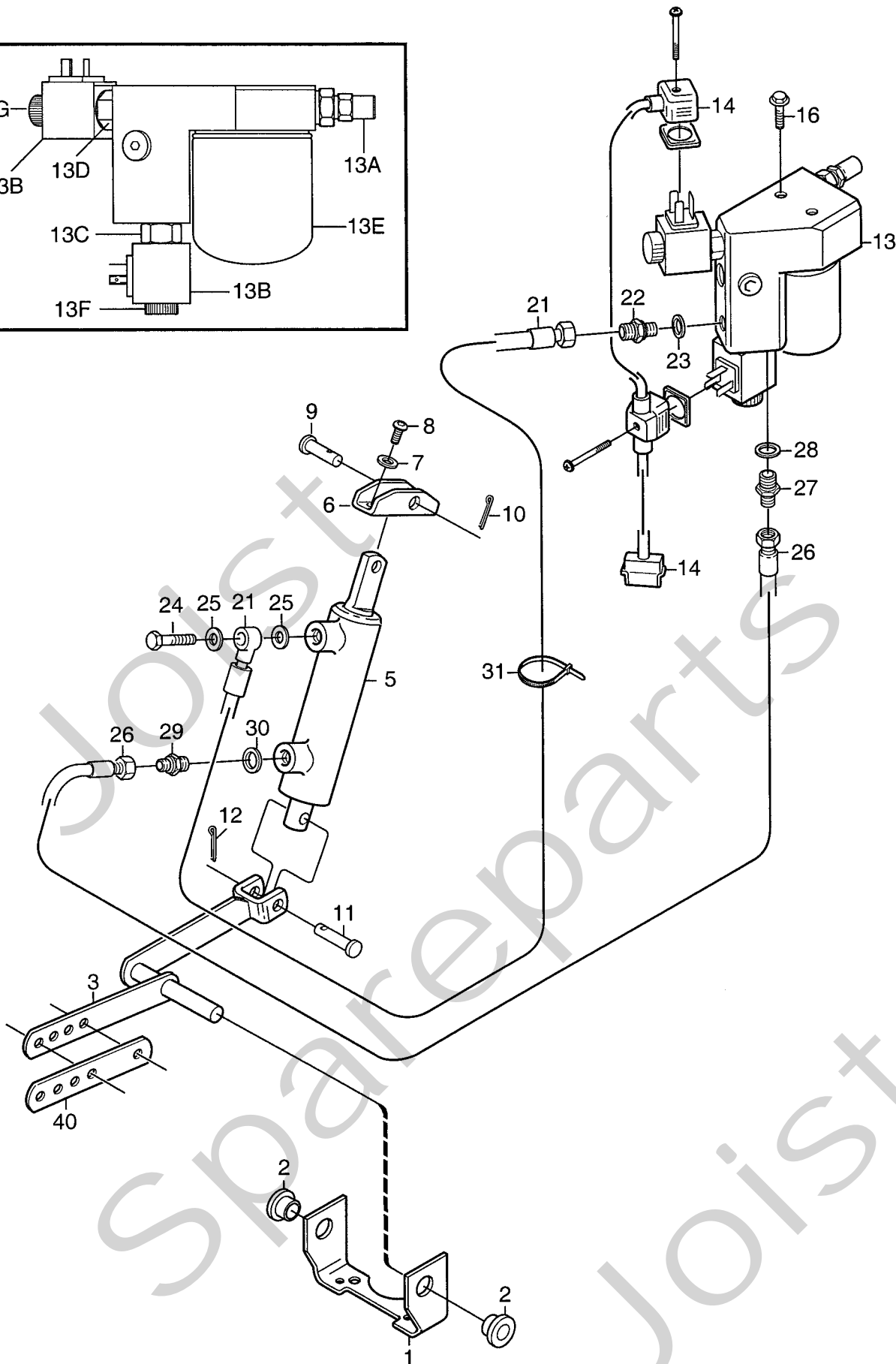
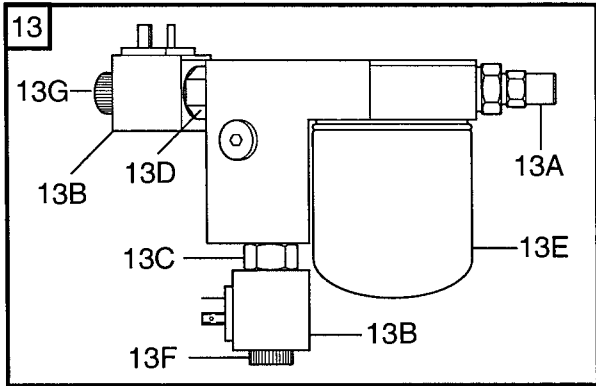
Utgåva Issue		Bildnr Picture No		PARK 4WD DIESEL RAM		PARK 4WD DIESEL FRAME		Sida Page	
2006-11		2034						88	
Pos. Fig.	Antal/Quantity			Art nr Part No	Benämning	Description	Sats Kit	Anmärkning Notes	
	6181								
1	1			1134-5656-01	Ram-främre	Frame-front			
2	1			1134-3963-02	• Midjegaffel	• Clevis			
3	1			1134-0031-00	• Ledaxelstopp	• Pivot shaft stop			
4	1			9595-0262-00	• Spännstift	• Locating pin			
5	2			9501-0500-00	• Smörjnippel	• Grease joint			
7	1			1134-6046-01	Ram-bakre	Frame-rear			
8	1			1134-5705-01	• Distans	• Spacer			
9	2			9547-0001-00	• Ledlager	• Bearing			
10	2			9501-0500-00	• Smörjnippel	• Grease joint			
11	1			1134-5988-01	Centrumaxel	Centre shaft			
13	2			9699-0035-02	Planbricka	Flat washer			
14	2			9959-1025-16	Skruv	Screw			
16	1			1134-5294-01	Durk	Floor plate			
17	1			1134-5514-03	Durkmatta	Floor mat			
18	2			9893-0616-16	Skruv	Screw			
19	1			1134-5944-01	Tankhylla	Tank shelf			
20	2			9945-0816-16	Skruv	Screw			
21	2			9959-0820-16	Skruv	Screw			
22	2			9739-0831-22	Mutter	Nut			
24	1			1134-5676-01	Stötfångare	Bumper			
25	2			1134-4100-01	Täckpropp	Plug			
26	2			1134-0240-00	Ansatsskruv	Shoulder screw			
27	2			1134-4242-01	Distansbricka	Spacer washer			
28	2			9665-0002-00	Brickfjäder	Bowed washer			
29	2			9747-0831-02	Mutter	Lock nut			
30	2			9943-0516-16	Skruv	Screw			
40	1			1134-6037-01	Motorstag	Engine support			
41	1			1134-4918-01	Motorstag- fram	Engine support- front			
42	4			9997-1011-06	Skruv	Screw			
43	4			9699-0030-02	Planbricka	Flat washer			
44	4			1111-2453-01	Isolering	Grommet			
45	4			1134-4919-01	Distans	Spacer			
46	4			9739-1031-22	Mutter	Nut			
47	4			1134-4915-01	Stödkopp	Support cup			
48	4			1134-4920-01	Dämpement	Vibration absorber			
49A	2			1134-0041-03	Hylsa	Collar		L = 55 mm	
49B	2			1134-0041-06	Hylsa	Collar		L = 52 mm	
50	4			9747-1031-02	Låsmutter	Lock nut			
51	2			9699-0030-02	Planbricka	Flat washer			

X

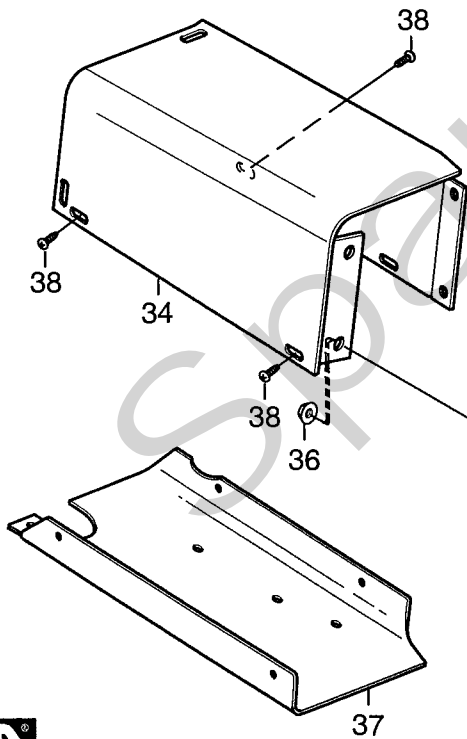
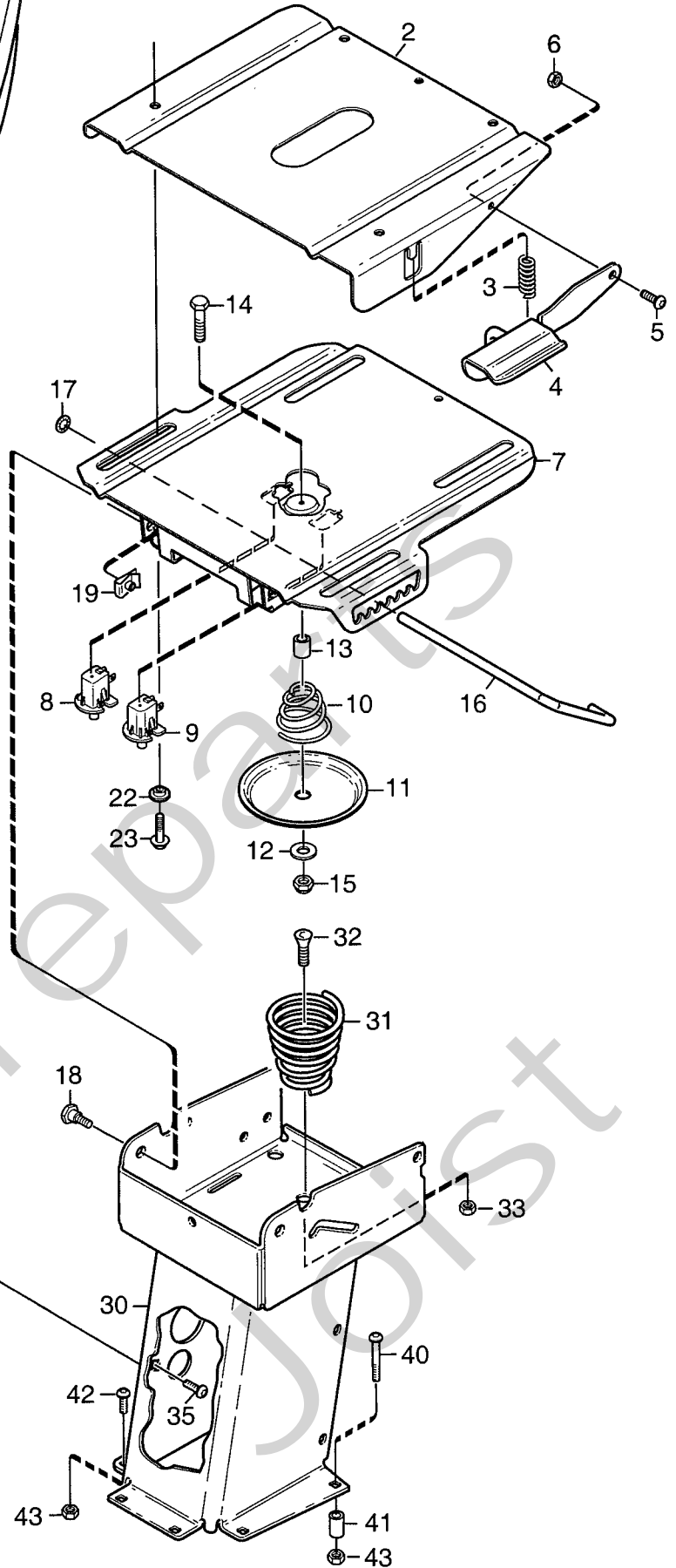
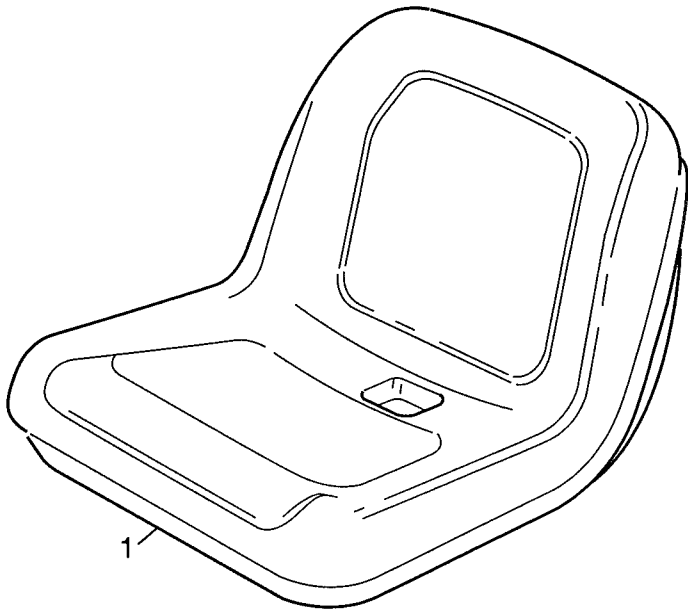
Spares Joist



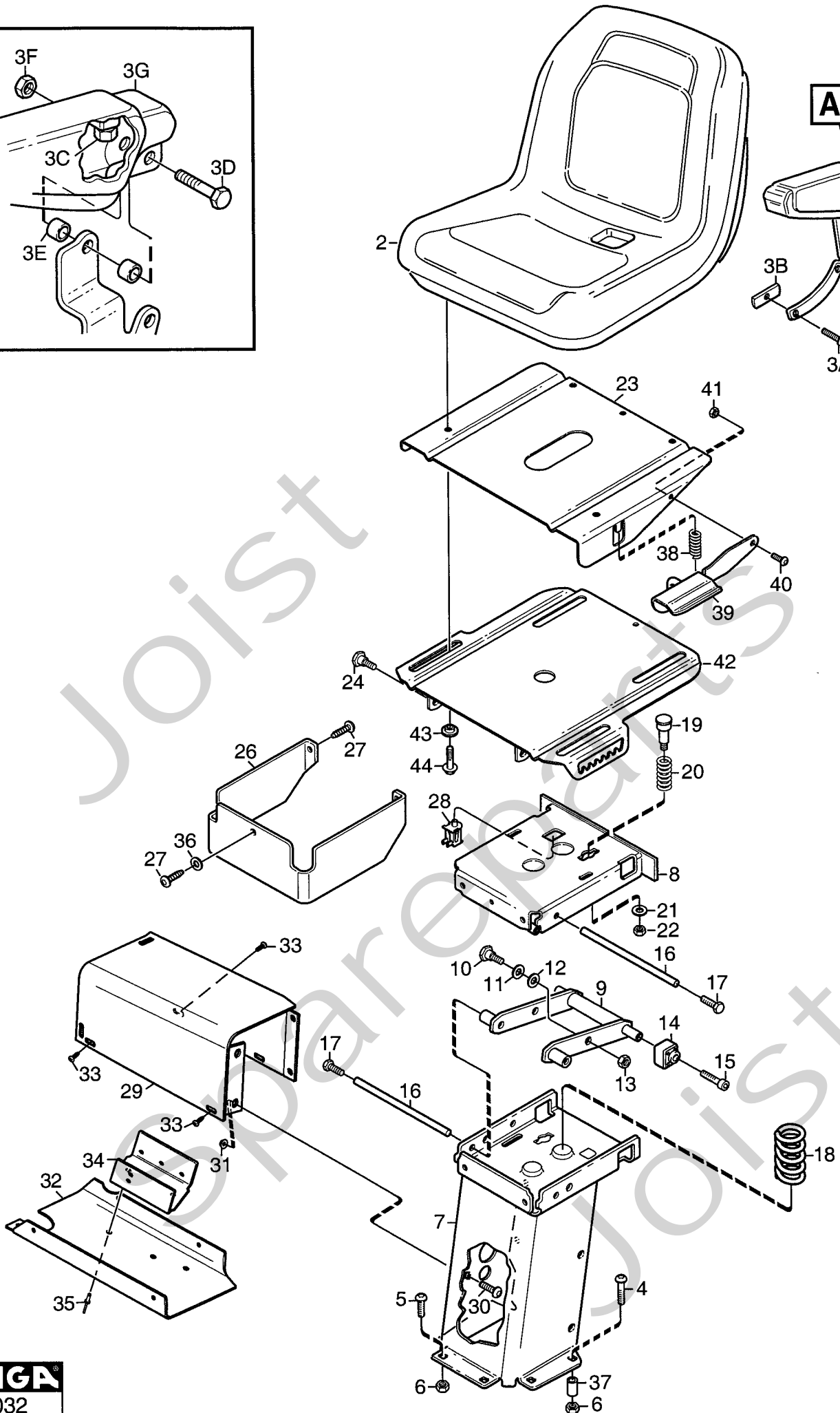
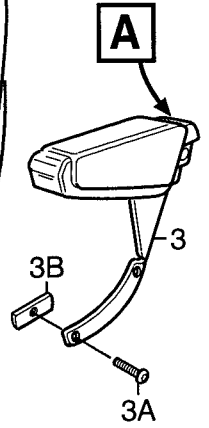
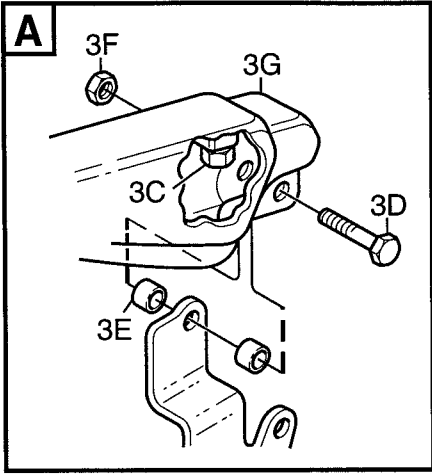
Utgåva Issue		Bildnr Picture No		PARK COMFORT-ROYAL-DIESEL PRESTIGE PEDALLYFT		PARK COMFORT-ROYAL-DIESEL PRESTIGE PEDAL LIFT		Sida Page	
2006-11		1023D						90	
Pos. Fig.	Antal/Quantity			Art nr Part No	Benämning	Description	Sats Kit	Anmärkning Notes	
	6182 6183 6180	6185							
1	1	1		1134-4117-01	Fäste.....	Bracket.....			
2	2	2		1134-2684-01	Lager.....	Bearing.....			
3	1	1		1134-4945-01	Lyftspärr kpl.....	Lift catch assy.....			
7	1	1		9404-0027-01	• O-ring.....	• O-ring.....			
8	1	1		9650-0039-04	• Seegersäkring.....	• Lock ring.....			
9	1	1		9595-0276-01	• Spännstift.....	• Locating pin.....			
10	1	1		9997-0640-12	• Skruv.....	• Screw.....			
11	1	1		9747-0631-02	• Låsmutter.....	• Lock nut.....			
13	1	1		9897-0820-16	• Skruv.....	• Screw.....			
14	1	1		9747-0831-02	Mutter.....	Lock nut.....			
15	1	1		1134-4860-01	Lyftgaffel.....	Lift fork.....			
16	2	2		1134-0240-00	Ansattsskruv.....	Shoulder screw.....			
17	1	1		1134-4938-01	Lyftpedal.....	Lift pedal.....			
18	2	2		9997-0625-16	Skruv.....	Screw.....			
19	2	2		9739-0631-22	Mutter.....	Nut.....			
20	1	1		4231-0013-00	Fjäder.....	Spring.....			



Utgåva Issue		Bildnr Picture No		PARK DIESEL 4WD HYDRAULLYFT		PARK DIESEL 4WD HYDRAULIC LIFT		Sida Page	
2006-11		1376C						92	
Pos. Fig.	Antal/Quantity			Art nr Part No	Benämning	Description	Sats Kit	Anmärkning Notes	
	6181								
1	1			1134-4117-01	Fäste.....	Bracket.....			
2	2			1134-2684-01	Lager.....	Bearing.....			
3	1			1134-4812-01	Lyftarm.....	Lift arm.....			
5	1			1134-5596-01	Hydraulcylinder.....	Hydraulic cylinder.....			
6	1			1134-4815-01	Cylinderfäste.....	Cylinder bracket.....			
7	2			9699-0025-02	Planbricka.....	Washer.....			
8	2			9893-0616-16	Skruv.....	Screw.....			
9	1			1134-4816-01	Sprint.....	Pin.....	Ø 10 x 29		
10	1			9599-0054-02	Saxpinne.....	Cotter pin.....			
11	1			1134-4817-01	Kolvstångssprint.....	Pin.....	Ø 10 x 34		
12	1			9599-0054-02	Saxpinne.....	Cotter pin.....			
13	1			1134-5120-01	Hydraulventil.....	Hydraulic valve.....			
13A	1			1134-5242-01	• Tryckbegr.ventil.....	• Pressure restr.valve.....	30 bar		
13B	2			1134-5241-01	• Magnetspole.....	• Magnet spool.....	12V DC, 18W		
13C	1			1134-5240-01	• Elventil.....	• Electric valve.....	NC		
13D	1			1134-5239-01	• Elventil.....	• Electric valve.....	NO		
13E	1			1134-4109-01	• Filterpatron.....	• Filter cartridge.....			
13F	1			1134-5687-01	• Mutter- låg.....	• Nut- low.....			
13G	1			1134-5688-01	• Mutter- hög.....	• Nut- high.....			
14	1			1134-5028-01	Kontaktton.....	Contact unit.....			
16	2			9959-0612-16	Skruv.....	Screw.....			
21	1			1134-4819-02	Hydraulslang.....	Hydraulic tube.....			
22	1			1134-4824-01	Adapter.....	Adapter.....	1/4" x 1/8"		
23	1			1134-4948-01	Tredobricka.....	Seal washer.....	1/4"		
24	1			1134-4826-01	Banjoskruv.....	Banjo bolt.....			
25	2			1134-4947-01	Kopparbricka.....	Copper washer.....			
26	1			1134-4820-01	Hydraulslang.....	Hydraulic tube.....			
27	1			1134-4824-01	Adapter.....	Adapter.....	1/4" x 1/8"		
28	1			1134-4948-01	Tredobricka.....	Seal washer.....	1/4"		
29	1			1134-4825-01	Adapter.....	Adapter.....	1/8" x 1/8"		
30	1			1134-4947-01	Kopparbricka.....	Copper washer.....			
31	4			9579-0003-00	Buntband.....	Cable holder.....			
X 40	1			1134-6245-01	Lyftarm.....	Lift lever.....		Tillbehör/Accessory	

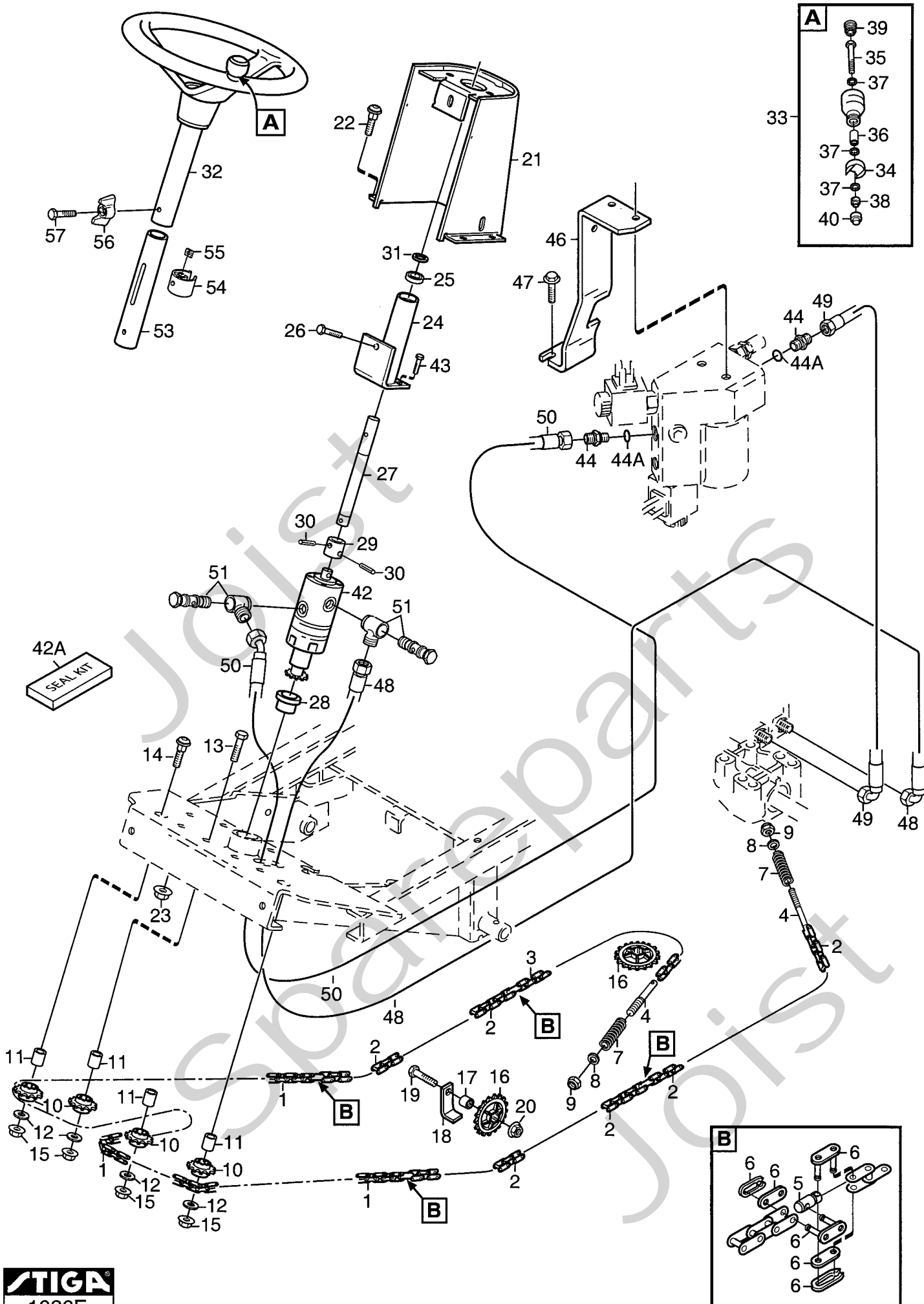


Utgåva Issue		Bildnr Picture No		PARK COMFORT-ROYAL-DIESEL PRESTIGE SITS		PARK COMFORT-ROYAL-DIESEL PRESTIGE SEAT		Sida Page	
2006-11		2019						94	
Pos. Fig.	Antal/Quantity				Art nr Part No	Benämning	Description	Sats Kit	Anmärkning Notes
	6182 6183	6180	6185						
X 1	1	1	1		1134-4223-01	Sits	Seat		
X 2	1	1	1		1134-6090-01	Glidplatta	Slide plate		
X 3	1	1	1		1134-3262-01	Tryckfjäder	Compression spring		
X 4	1	1	1		1134-6073-01	Handtag	Handle		
X 5	1	1	1		9893-0616-16	Skruv	Screw		
X 6	1	1	1		9747-0631-02	Låsmutter	Lock nut		
X 7	1	1	1		1134-6068-01	Glidplatta-undre	Slide plate-lower		
X 8	1	2	1		1134-3156-01	Brytare (svart)	Switch (black)		
X 9	1	1	1		1134-3156-02	Brytare (grå)	Switch (grey)		
X 10	1	1	1		1134-5302-01	Fjäder	Spring		
X 11	1	1	1		1134-5299-01	Tryckplatta	Push plate		
X 12	1	1	1		9699-0090-02	Planbricka	Flat washer		
X 13	1	1	1		1134-1565-06	Distans	Spacer		
X 14	1	1	1		9997-0840-16	Skruv	Screw		
X 15	1	1	1		9747-0831-02	Mutter	Lock nut		
X 16	1	1	1		1134-5179-01	Spärr	Catch		
X 17	1	1	1		9675-0012-02	Starlock	Locking washer		
X 18	2	2	2		1134-0240-00	Ansatssskruv	Shoulder screw		
X 19	2	2	2		1134-4620-01	Fjädermutter	Spring nut		
X 22	4	4	4		1134-6078-01	Ansatsbricka	Flange washer		
X 23	4	4	4		9959-0820-16	Skruv	Screw		
X 30	1	1	1		1134-5698-01	Sitskonsol	Seat bracket		
X 31	1	1	1		1134-4256-01	Sitsfjäder	Seat spring		
X 32	1	1	1		9924-1230-19	Skruv	Screw		
X 33	1	1	1		9747-1231-02	Låsmutter	Lock nut		
X 34	1	1	1		1134-3990-01	Armsvep	Attachment-side panel		
X 35	2	2	2		9897-0820-16	Skruv	Screw		
X 36	2	2	2		9739-0831-22	Mutter	Nut		
X 37	1	1	1		1134-4130-01	Lock-undre	Cover-lower		
X 38	4	4	4		9840-8019-16	Skruv	Screw		
X 40	2	2	2		9897-0880-12	Skruv	Screw		
X 41	2	2	2		1134-1565-08	Distans	Spacer		
X 42	4	4	4		9897-0820-16	Skruv	Screw		
X 43	6	6	6		9747-0831-02	Mutter	Lock nut		

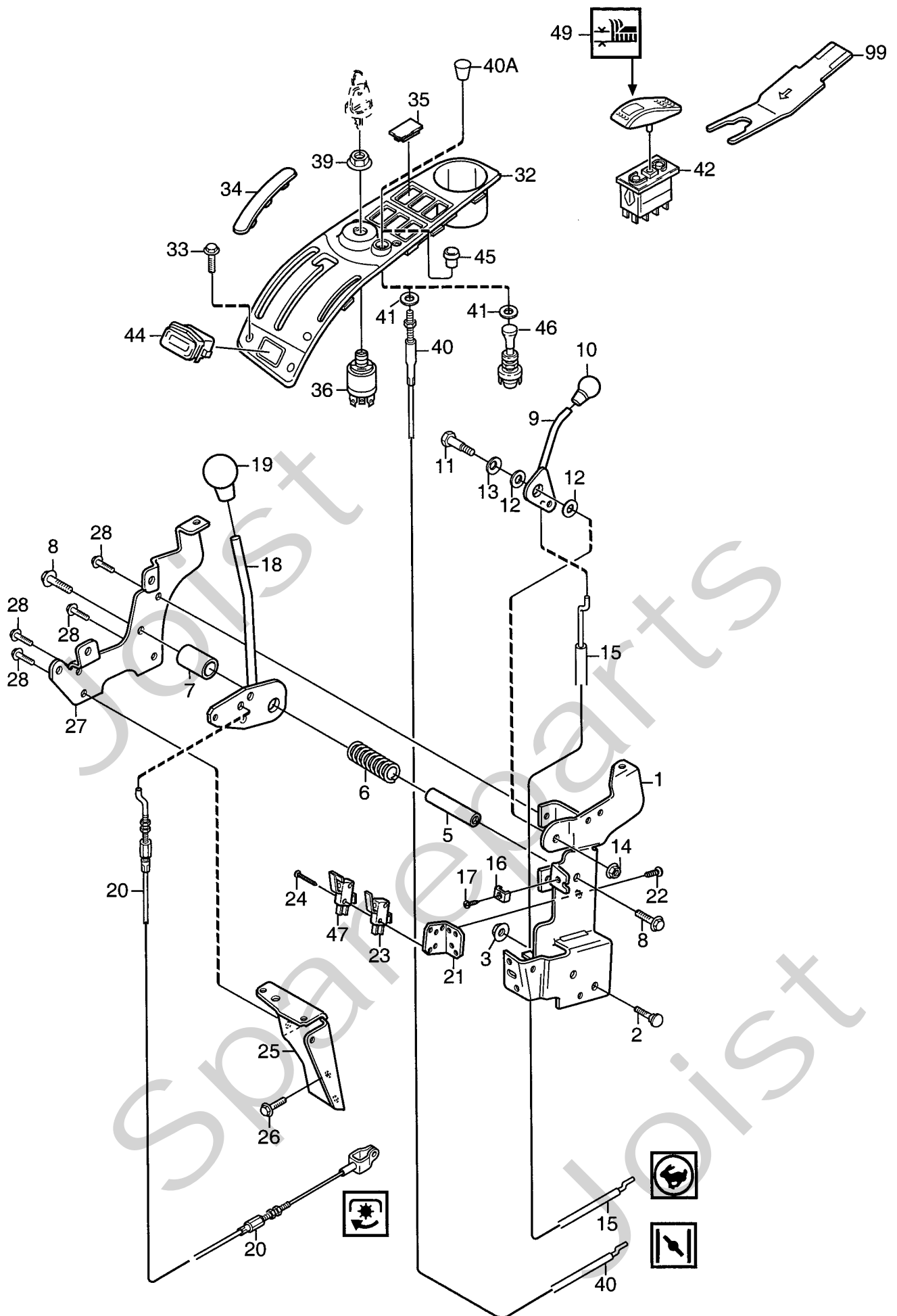


Utgåva Issue		Bildnr Picture No		PARK DIESEL 4WD SITS		PARK DIESEL 4WD SEAT		Sida Page	
2006-11		2032						96	
Pos. Fig.	Antal/Quantity			Art nr Part No	Benämning	Description	Sats Kit	Anmärkning Notes	
	6181								
	2	1		1134-4224-01	Sits	Seat			
	3	1		1134-4225-01	Armstöd kpl	Arm rests assy			
	3A	6		1134-5095-01	• Skruv	• Button head screw			
	3B	6		1134-5096-01	• Mutter	• Tab nut			
	3C	2		9988-3713-16	• Skruv	• Screw		L = 13 mm	
	3D	2		9988-3745-12	• Skruv	• Screw		L = 45 mm	
	3E	4		1134-5094-01	• Distans	• Spacer			
	3F	2		9795-3731-02	• Mutter	• Nut			
	3G	2		1134-5879-01	• Armstödsdyna	• Arm rest pad			
	4	2		9897-0880-12	Skruv	Screw		L = 80 mm	
	5	4		9897-0820-16	Skruv	Screw		L = 20 mm	
	6	6		9747-0831-02	Mutter	Lock nut			
	7	1		1134-5695-01	Sitskonsol	Seat bracket			
X	8	1		1134-6080-01	Platta-övre	Plate-upper			
X	9	2		1134-6076-01	Länkkarm	Pivot link			
	10	2		1134-0240-00	Ansatsskruv	Shoulder screw			
	11	2		9699-0069-02	Planbricka	Flat washer			
	12	2		9665-0002-00	Brickfjäder	Bowed washer			
	13	2		9747-0831-02	Mutter	Lock nut			
	14	4		1134-4084-01	Glidsko	Slide block			
	15	4		9939-0816-16	Skruv	Screw			
	16	2		1134-4082-03	Axel	Shaft			
	17	4		9959-0816-16	Skruv	Screw			
	18	2		1134-4160-01	Fjäder	Seat spring			
	19	1		1134-4153-01	Tryckpinne	Push pin			
	20	1		1134-4159-01	Fjäder	Spring			
	21	1		9699-0056-02	Planbricka	Flat washer			
X	22	1		9747-0831-02	Mutter	Lock nut			
X	23	1		1134-6090-01	Glidplatta	Slide plate			
X	24	2		1134-0240-00	Ansatsskruv	Shoulder screw			
	26	1		1134-6121-01	Svep	Cover			
	27	3		9852-8013-16	Skruv	Screw			
	28	1		1134-3156-01	Brytare (svart)	Switch (black)			
	29	1		1134-3990-01	Armsvep	Attachment-side panel			
	30	2		9897-0820-16	Skruv	Screw			
	31	2		9739-0831-22	Mutter	Nut			
	32	1		1134-4130-01	Lock-undre	Cover-lower			
	33	4		9840-8019-16	Skruv	Screw			
	34	1		1134-4135-01	Relähållare	Relay holder			
	35	2		9632-0522-00	Popnit	Pop rivet			
	36	1		9699-0087-02	Planbricka	Flat washer			
	37	2		1134-1565-08	Distans	Spacer			
	38	1		1134-3262-01	Tryckfjäder	Compression spring			
X	39	1		1134-6073-01	Handtag	Handle			
	40	1		9893-0616-16	Skruv	Screw			
	41	1		9747-0631-02	Låsmutter	Lock nut			
X	42	1		1134-6071-01	Glidplatta-undre	Slide plate-lower			
X	43	4		1134-6078-01	Ansatsbricka	Flange washer			
	44	4		9959-0820-16	Skruv	Screw			

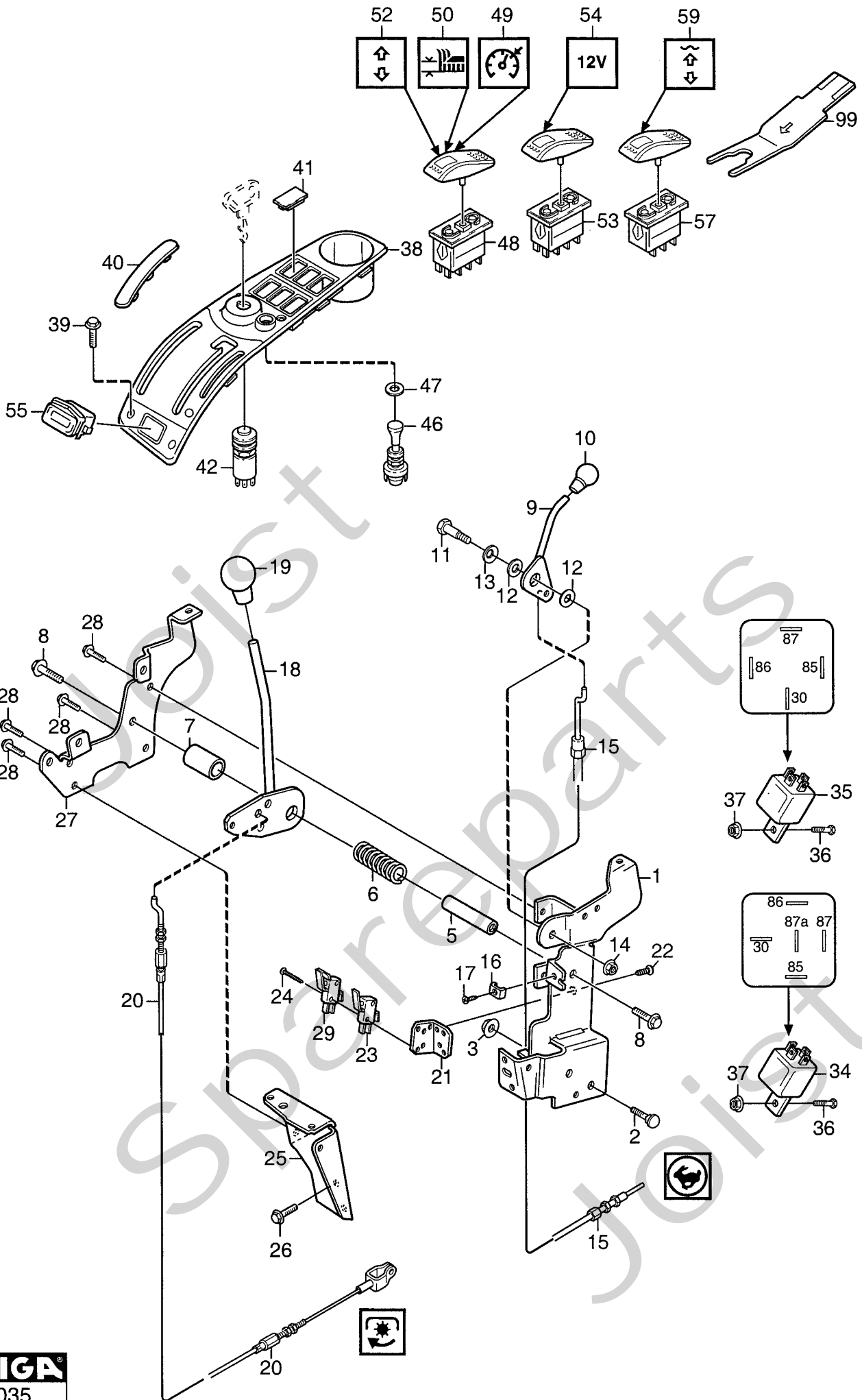
Utgåva Issue		Bildnr Picture No		PARK COMFORT-ROYAL-DIESEL PRESTIGE STYRNING		PARK COMFORT-ROYAL-DIESEL PRESTIGE STEERING		Sida Page	
2006- 11		1787A						98	
Pos. Fig.	Antal/Quantity			Art nr Part No	Benämning	Description	Sats Kit	Anmärkning Notes	
	6182 6183 6180	6185							
1	1	1		1134-2820-10	Kedja	Chain		129 länk	
2	2	2		1134-2820-09	Kedja	Chain		35 länk	
3	1	1		1134-2820-02	Kedja	Chain		41 länk	
4	1	1		1134-2820-05	Kedja	Chain		47 länk	
5A	1	1		1134-3550-01	Ändnippel	End nipple		L = 110 mm	
5B	1	1		1134-3550-02	Ändnippel	End nipple		L = 90 mm	
6	4	4		1134-3565-01	Skarvnippel	Connection nipple			
7	12	12		1134-2824-01	Kedjelås	Chain lock			
8	2	2		1134-5652-01	Fäste	Attachment			
9	4	4		1134-5651-01	Bygel	Bracket			
10	2	2		1134-2816-01	Kedjehjul	Sprocket			
11	2	2		1134-0041-02	Linhjulshylsa	Idler wheel bush			
12	2	2		1134-4817-01	Kolvstängssprint	Pin			
13	2	2		9699-0035-02	Planbricka	Flat washer			
14	2	2		9599-0054-02	Saxpinne	Cotter pin			
15A	1	1		1134-3817-01	Tryckfjäder	Compression spring		L = 58 mm	
15B	1	1		1134-3817-02	Tryckfjäder	Compression spring		L = 33 mm	
16	2	2		9699-0090-02	Planbricka	Flat washer			
17	2	2		9747-0831-02	Mutter	Lock nut			
18	4	4		1134-2816-01	Kedjehjul	Sprocket			
19	4	4		1134-5653-01	Distans	Spacer			
20	2	2		9699-0035-02	Planbricka	Flat washer			
21	2	2		9997-1060-12	Skruv	Screw			
22	2	2		9739-1031-22	Mutter	Nut			
23	2	2		9897-1060-12	Skruv	Screw			
24	2	2		9747-1031-02	Låsmutter	Lock nut			
25	3	3		1134-3547-01	Kedjehjul	Sprocket			
26	2	2		1134-0041-01	Linhjulshylsa	Bushing			
27	2	2		1134-3022-01	Linhållare	Cable holder			
28	2	2		9997-1040-16	Skruv	Screw			
29	2	2		9699-0035-02	Planbricka	Flat washer			
30	2	2		9739-1031-22	Mutter	Nut			
31	1	1		1134-4120-04	Styrkonsol	Steering console			
32	4	4		9897-0820-16	Skruv	Screw			
33	4	4		9739-0831-22	Mutter	Nut			
34	1	1		1134-1305-03	Rattrör- nedre	Steering column- lower			
35	2	2		1134-1901-01	Lager	Bearing			
36	1	1		1134-2821-04	Rattstäng	Steering rod			
41	2	2		9893-0616-16	Skruv	Screw			
42	1	1		1134-2837-03	Distans	Spacer			
52		1		1134-5173-01	Ratt	Steering wheel			
52	1			1134-5173-02	Ratt kpl	Steering wheel assy			
53	1			1134-3769-01	• Styrknopp kpl	• Steering wheel button			
54	1			1134-3752-01	• Knoppfäste	• Knob holder			
55	1			9997-0865-12	• Skruv	• Screw			
56	1			1134-1565-06	• Distans	• Spacer			
57	3			9699-0090-02	• Planbricka	• Flat washer			
58	1			9747-0831-02	• Mutter	• Lock nut			
59	1			9403-0043-70	• Plugg	• Plug			
60	1			9403-0113-00	• Mutterhatt	• Nut cap			
63	1	1		1134-5216-01	Rattrör- inre kpl	Steering tube- inner			
64	1	1		1134-5177-01	• Slid	• Slide			
65	1	1		9710-0631-12	• Fyrkantmutter	• Square nut			
66	1	1		1134-4481-02	Vingmutter	Wing nut			
67	1	1		9997-0630-12	Skruv	Screw			



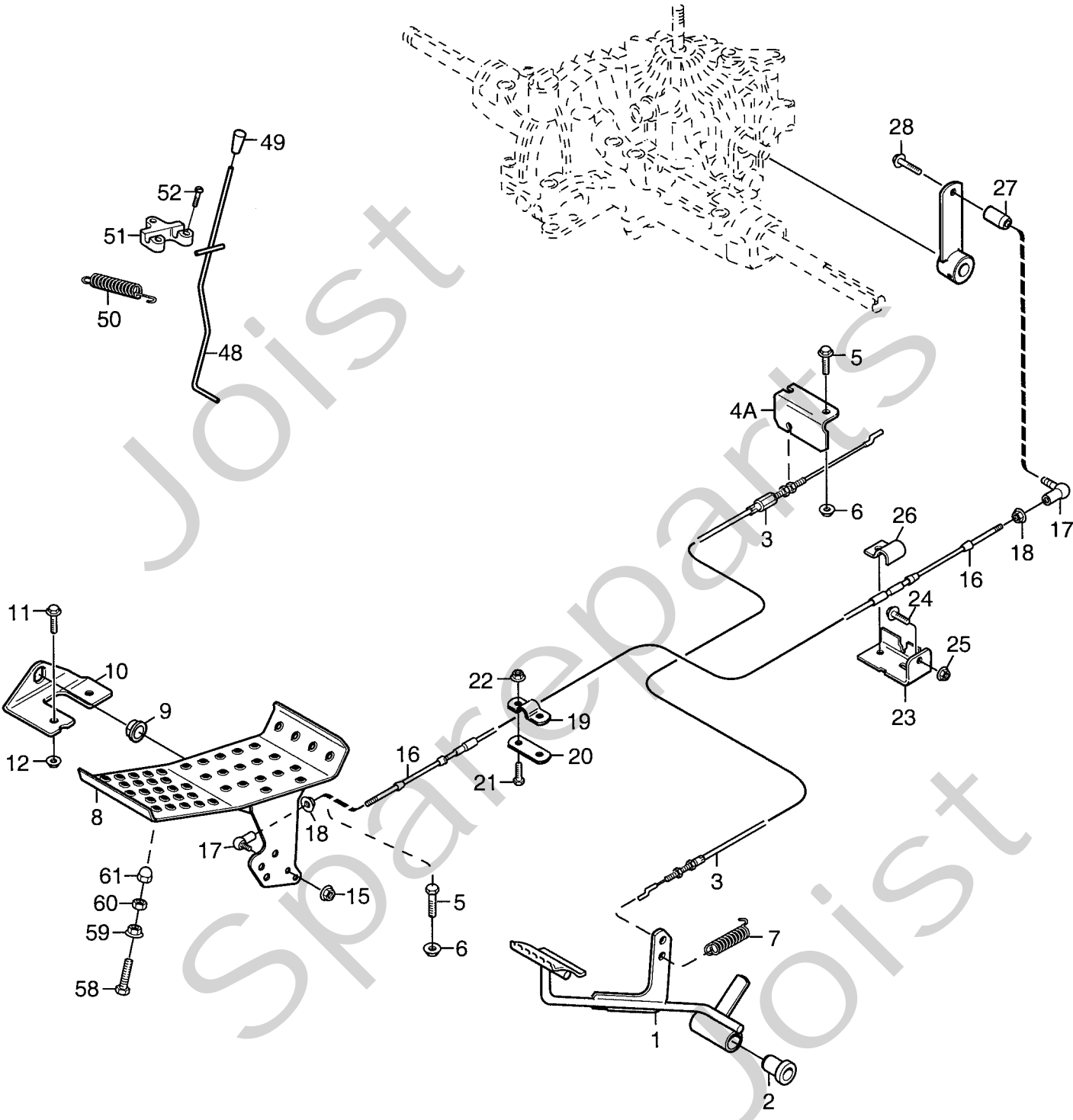
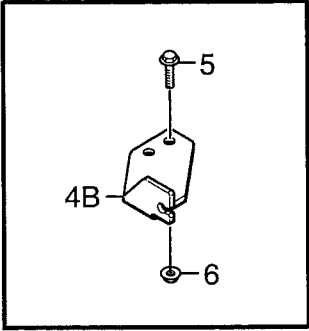
Utgåva Issue		Bildnr Picture No		PARK DIESEL 4WD STYRNING		PARK DIESEL 4WD STEERING		Sida Page	
2006- 11		1026E						100	
Pos. Fig.	Antal/Quantity			Art nr Part No	Benämning	Description	Sats Kit	Anmärkning Notes	
	6181								
1	1			1134-2820-06	Kedja	Chain		83 länk	
2	3			1134-2820-02	Kedja	Chain		41 länk	
3	1			1134-2820-04	Kedja	Chain		45 länk	
4	2			1134-3550-02	Ändnippel	End nipple			
5	4			1134-3565-01	Skarvnippel	Connection nipple			
6	10			1134-2824-01	Kedjelås	Chain lock			
7	2			1134-3817-02	Tryckfjäder	Compression spring			
8	2			9699-0090-02	Planbricka	Flat washer			
9	2			9747-0831-02	Mutter	Lock nut			
10	4			1134-2816-01	Kedjehjul	Sprocket			
11	4			1134-0041-02	Linhjulshylsa	Idler wheel bush			
12	4			9699-0035-02	Planbricka	Flat washer			
13	2			9997-1050-16	Skruv	Screw			
14	2			9897-1040-12	Skruv	Screw			
15	4			9739-1031-22	Mutter	Nut			
16	3			1134-3547-01	Kedjehjul	Sprocket			
17	2			1134-0041-01	Linhjulshylsa	Bushing			
18	2			1134-3022-01	Linhållare	Cable holder			
19	2			9997-1030-16	Skruv	Screw			
20	2			9739-1031-22	Mutter	Nut			
21	1			1134-4120-04	Styrkonsol	Steering console			
22	4			9897-0820-16	Skruv	Screw			
23	4			9739-0831-22	Mutter	Nut			
24	1			1134-4113-02	Rattrör- nedre	Steering tube-lower			
25	1			9549-0017-00	Kullager	Ball bearing			
26	1			9945-0816-16	Skruv	Screw			
27	1			1134-4087-01	Rattstång	Steering rod			
28	1			1134-4114-01	Bussning	Bushing			
29	1			1134-4118-01	Koppling	Coupling			
30	2			9595-0256-01	Spännstift	Pin			
31	1			9695-0011-00	Bricka	Washer			
32	1			1134-5173-02	Ratt kpl	Steering wheel assy			
33	1			1134-3769-01	• Styrknopp kpl	• Steering wheel button			
34	1			1134-3752-01	•• Knoppfäste	•• Knob holder			
35	1			9997-0865-12	•• Skruv	•• Screw			
36	1			1134-1565-06	•• Distans	•• Spacer			
37	3			9699-0090-02	•• Planbricka	•• Flat washer			
38	1			9747-0831-02	•• Mutter	•• Lock nut			
39	1			9403-0043-70	•• Plugg	•• Plug			
40	1			9403-0113-00	•• Mutterhatt	•• Nut cap			
42	1			1134-5162-01	Momentförstärkare	Steering booster			
42A	1			1139-2074-01	Reparationssats	Seal kit			
43	3			9939-0612-16	Skruv	Screw			
44	2			1134-4282-01	Hydraulnippel	Hydraulic nipple		9/16" x 9/16"	
44A	2			9404-0028-01	• O-ring	• O-ring			
46	1			1134-4982-02	Filterfäste	Filter bracket			
47	2			9945-0816-16	Skruv	Screw			
48	1			1134-5098-01	Hydraulslang	Hydraulic tube		L = 1690 mm	
49	1			1134-4229-01	Hydraulslang	Hydraulic tube		L = 615 mm	
50	1			1134-5099-01	Hydraulslang	Hydraulic tube		L = 1300 mm	
51	2			1134-5100-01	Banjokoppling	Banjo nipple			
53	1			1134-5216-01	Rattrör- inre kpl	Steering tube-inner			
54	1			1134-5177-01	• Slid	• Slide			
55	1			9710-0631-12	• Fyrkantmutter	• Square nut			
56	1			1134-4481-02	Vingmutter	Wing nut			
57	1			9997-0630-12	Skruv	Screw			



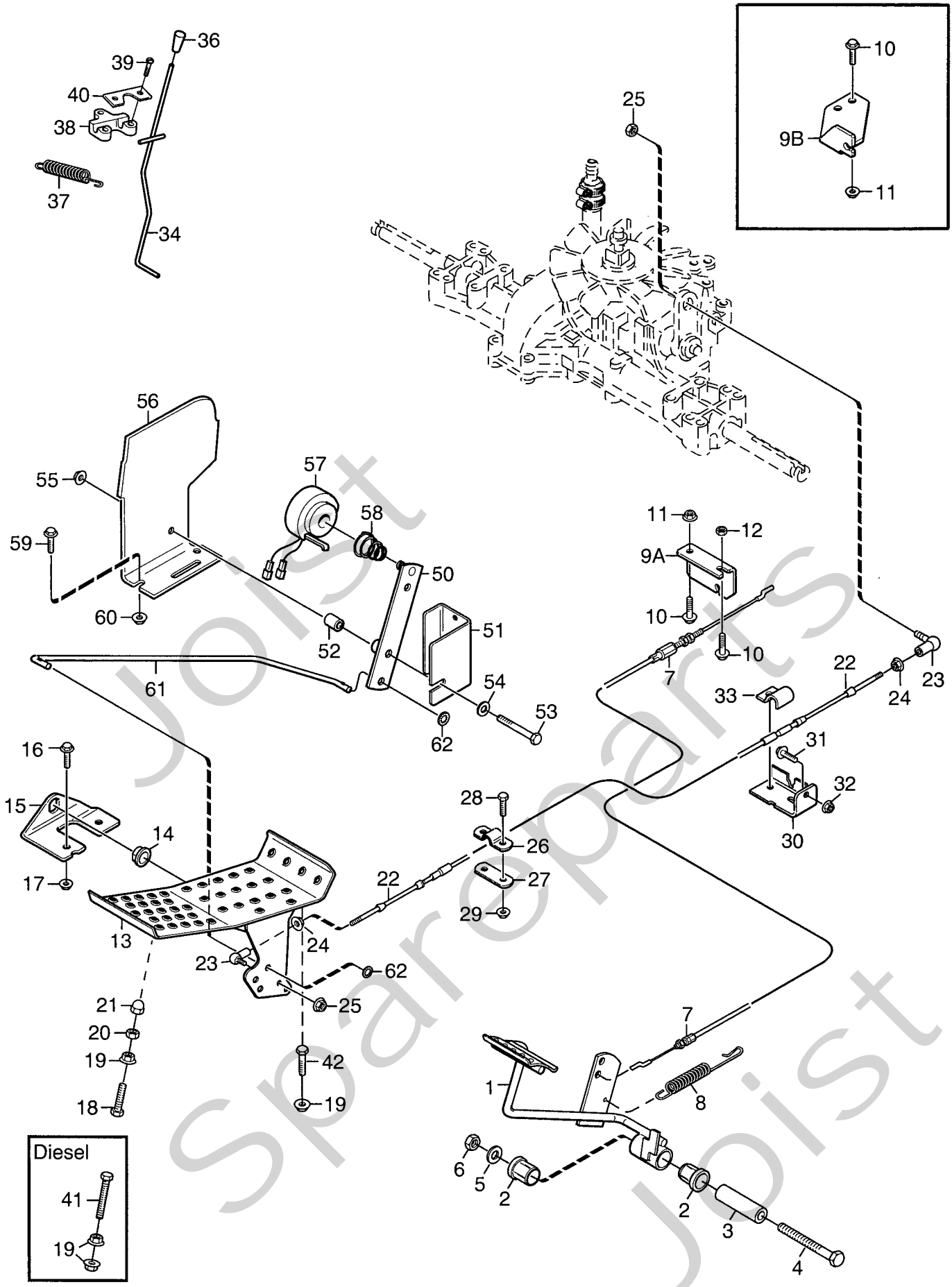
Utgåva Issue		Bildnr Picture No				PARK COMFORT-ROYAL-DIESEL PRESTIGE HANDREGLAGE		PARK COMFORT-ROYAL-DIESEL PRESTIGE HAND CONTROLS		Sida Page	
2006-11		1991A								102	
Pos. Fig.	Antal/Quantity				Art nr Part No	Benämning	Description	Sats Kit	Anmärkning Notes		
	6182	6183	6180	6185							
1	1	1	1	1	1134-4156-01	Vinkelhållare	Panel bracket- inner				
2	2	2	2	2	9897-0820-16	Skruv	Screw				
3	2	2	2	2	9739-0831-22	Mutter	Nut				
5	1	1	1	1	1134-4065-01	Reglageaxel	Control shaft				
6	1	1	1	1	1134-4079-01	Fjäder	Spring				
7	1	1	1	1	1134-4080-03	Reglagehylsa	Control sleeve				
8	2	2	2	2	9959-0820-16	Skruv	Screw				
9	1	1	1	1	1134-4077-01	Gasreglage	Throttle control				
10	1	1	1	1	1134-4078-01	Knopp	Knob				
11	1	1	1	1	1134-0240-00	Ansattsskruv	Shoulder screw				
12	2	2	2	2	1134-4242-01	Distansbricka	Spacer washer				
13	1	1	1	1	9694-0001-00	Fjäderbricka	Washer				
14	1	1	1	1	9747-0831-02	Mutter	Lock nut				
15		1			1134-4195-01	Gaswire	Throttle cable		L1 = 1413 mm		
X 15				1	1134-4195-04	Gaswire	Throttle cable		L1 = 1070 mm		
15	1				1134-4197-01	Gaswire	Throttle cable		L1 = 925 mm		
15			1		1134-4923-01	Gaswire	Throttle cable		L1 = 880 mm		
16	1	1	1	1	9500-9991-00	Wirekiämma	Cable clamp				
17	1	1	1	1	9943-0516-16	Skruv	Screw				
18	1	1	1	1	1134-4072-01	Aggregatspak	Control lever				
19	1	1	1	1	1134-2551-01	Reglageknopp	Knob				
20	1	1	1	1	1134-3573-03	Wire	PTO cable				
21	1	1	1	1	1134-5358-01	Brytarfäste	Switch bracket				
22	2	2	2	2	9852-8013-16	Skruv	Screw				
23	1	1	1	1	9400-0285-01	Microbrytare	Switch				
24	2	2		2	9840-7716-16	Skruv	Screw		L = 16 mm		
24			2		9847-7732-16	Skruv	Screw		L = 32 mm		
25	1	1	1	1	1134-4487-02	Frontfäste	Panel bracket				
26	2	2	2	2	9893-0616-16	Skruv	Screw				
27	1	1	1	1	1134-3986-01	Frontplåt	Front plate				
28	4	4	4	4	9893-0616-16	Skruv	Screw				
X 32		1	1	1	1134-6096-02	Kassett	Dashboard				
X 32	1				1134-6096-05	Kassett	Dashboard				
33	4	4	4	4	9946-0525-16	Skruv	Screw				
34	1	1	1	1	1134-4154-01	Täckbricka	Cover				
35	5	5	5	5	1134-4129-01	Täckbricka	Cover				
36	1	1	1	1	1134-4093-01	Tändningslås	Ignition switch				
36			1		1134-4908-01	Tändningslås	Ignition switch				
39	1	1		1	1134-4749-01	Mutter	Nut				
40		1			1134-2872-03	Chokereglage	Choke control				
X 40				1	1134-2872-05	Chokereglage	Choke control				
40A		1		1	1134-4338-01	Reglageknopp	Control knob				
41		1	1	1	9699-0028-02	Planbricka	Flat washer				
42	1	1	1	1	9400-0282-01	Brytare m.diod	Switch w.diode				
X 44	1	1	1	1	1134-6097-01	Timräknare	Hour meter				
45	1				1134-4100-01	Täckpropp	Plug				
46			1		9400-0296-01	Dragströmbrytare	Switch				
X 47			1		1134-4697-02	Mikrobrytare	Switch				
49	1	1	1	1	9400-0280-03	Vippa- höjdställning	Cover- height adjust				
99	1	1	1	1	9400-0290-01	Verktyg f.vippa	Tool for cover				



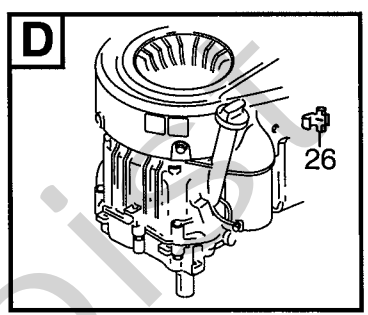
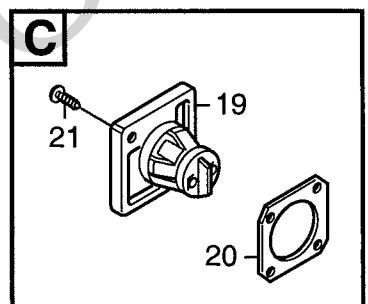
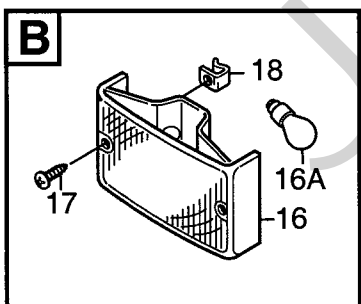
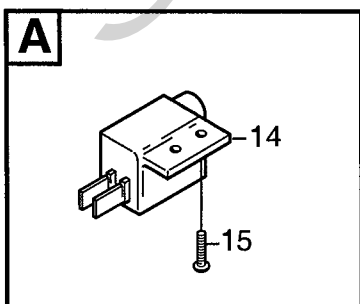
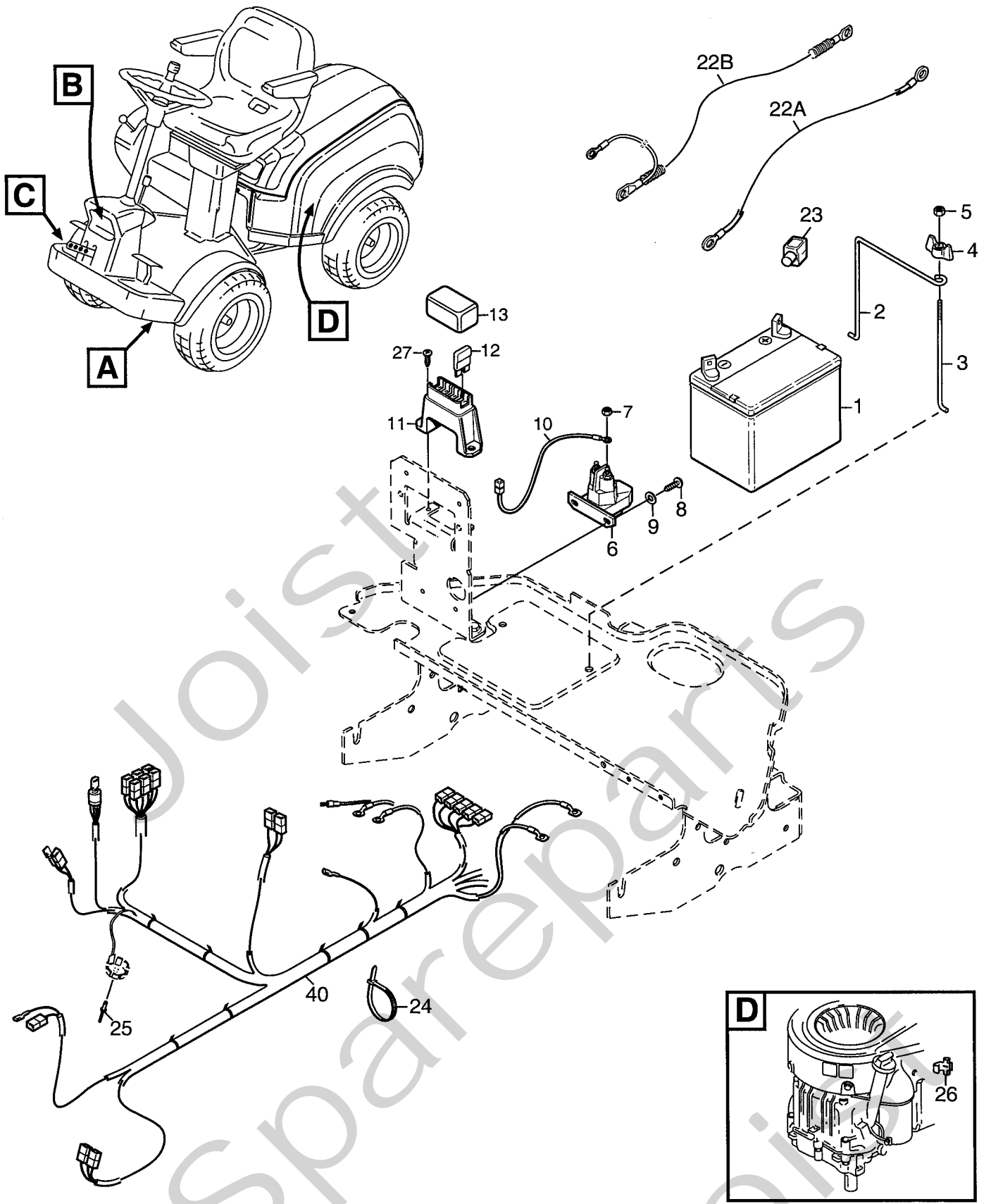
Utgåva Issue		Bildnr Picture No		PARK DIESEL 4WD HANDREGLAGE		PARK DIESEL 4WD HAND CONTROLS		Sida Page	
2006-11		2035						104	
Pos. Fig.	Antal/Quantity			Art nr Part No	Benämning	Description	Sats Kit	Anmärkning Notes	
	6181								
1	1			1134-4156-01	Vinkelhållare	Panel bracket- inner			
2	2			9897-0820-16	Skruv	Screw			
3	2			9739-0831-22	Mutter	Nut			
5	1			1134-4065-01	Reglageaxel	Control shaft			
6	1			1134-4079-01	Fjäder	Spring			
7	1			1134-4080-03	Reglagehylsa	Control sleeve			
8	2			9959-0820-16	Skruv	Screw			
9	1			1134-4077-01	Gasreglage	Throttle control			
10	1			1134-4078-01	Knopp	Knob			
11	1			1134-0240-00	Ansattsskruv	Shoulder screw			
12	2			1134-4242-01	Distansbricka	Spacer washer			
13	1			9694-0001-00	Fjäderbricka	Washer			
14	1			9747-0831-02	Mutter	Lock nut			
15	1			1134-4923-01	Gaswire	Throttle cable		L1 = 880 mm	
16	1			9500-9991-00	Wireklämma	Cable clamp			
17	1			9943-0516-16	Skruv	Screw			
18	1			1134-4072-01	Aggregatspak	Control lever			
19	1			1134-2551-01	Reglageknopp	Knob			
20	1			1134-3573-03	Wire	PTO cable			
21	1			1134-5358-01	Brytarfäste	Switch bracket			
22	2			9852-8013-16	Skruv	Screw			
23	1			9400-0285-01	Microbrytare	Switch			
24	2			9847-7732-16	Skruv	Screw			
25	1			1134-4487-02	Frontfäste	Panel bracket			
26	2			9893-0616-16	Skruv	Screw			
27	1			1134-3986-01	Frontplåt	Front plate			
28	4			9893-0616-16	Skruv	Screw			
X 29	1			1134-4697-02	Mikrobrytare	Switch			
34	1			1134-2871-03	Relä	Relay			
35	2			1134-2871-01	Relä	Relay			
36	3			9997-0512-16	Skruv	Screw			
X 37	3			9739-0531-22	Mutter	Nut			
38	1			1134-6096-02	Kassett	Dashboard			
39	4			9946-0525-16	Skruv	Screw			
40	1			1134-4154-01	Täckbricka	Cover			
41	1			1134-4129-01	Täckbricka	Cover			
42	1			1134-4908-01	Tändningslås	Ignition switch			
46	1			9400-0296-01	Dragströmbrytare	Switch			
47	2			9699-0090-02	Planbricka	Flat washer			
48	3			9400-0282-01	Brytare m.diod	Switch w.diode			
49	1			9400-0280-02	Vippa- farthållare	Cover- cruise control			
50	1			9400-0280-03	Vippa- höjdställning	Cover- height adjust			
52	1			9400-0280-04	Vippa- bakräfsa	Cover- rear rake			
53	1			9400-0283-01	Brytare	Switch			
54	1			9400-0280-05	Vippa- 12V	Cover- 12V			
X 55	1			1134-6097-01	Timräknare	Hour meter			
57	1			9400-0295-01	Strömbrytare	Switch			
59	1			9400-0280-06	Vippa- hydraullyft	Cover- hydraulic lift			
99	1			9400-0290-01	Verktyg f.vippa	Tool for cover		Tillbehör/Accessory	



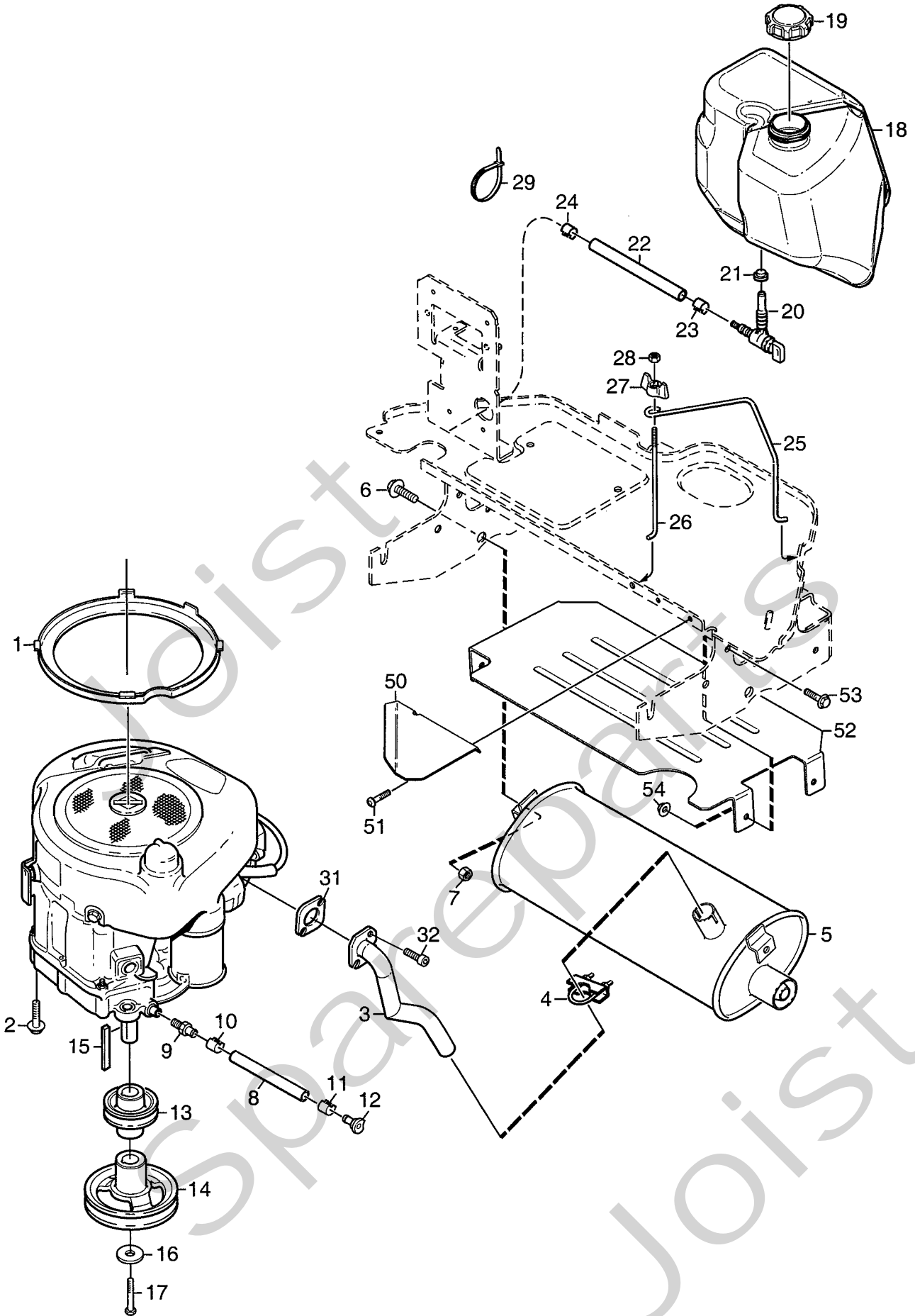
Utgåva Issue		Bildnr Picture No		PARK 2WD COMFORT-ROYAL-DIESEL FOTREGLAGE		PARK 2WD COMFORT-ROYAL-DIESEL FOOT CONTROLS		Sida Page	
2006-11		1992B						106	
Pos. Fig.	Antal/Quantity			Art nr Part No	Benämning	Description	Sats Kit	Anmärkning Notes	
	6182 6183	6180							
1	1	1		1134-4247-01	Broms/kopplingspedal.....	Brake/clutch pedal.....			
2	1	1		1134-9024-01	Lager.....	Bearing.....		Sats 4 st/kit of 4	
3	1	1		1134-3584-03	Broms/kopplingswire.....	Brake/clutch cable.....			
4A	1			1134-3906-01	Wirefäste.....	Cable holder.....			
4B		1		1134-6052-01	Wirefäste.....	Cable holder.....			
5	3	3		9959-0816-16	Skruv.....	Screw.....			
6	3	3		9739-0831-22	Mutter.....	Nut.....			
7	1	1		1134-3974-01	Fjäder.....	Spring.....			
8	1	1		1134-4008-03	Drivpedal.....	Drive pedal.....			
9	2	2		1134-2780-01	Lager.....	Bearing.....			
10	2	2		1134-2700-01	Fäste.....	Bracket.....			
11	2	2		9959-0820-16	Skruv.....	Screw.....			
12	2	2		9739-0831-22	Mutter.....	Nut.....			
15	1	1		9747-0531-02	Mutter.....	Nut.....			
16	1	1		1134-2766-05	Reglagewire.....	Speed control cable.....			
17	2	2		9570-0001-00	Vinkellänk.....	Elbow link.....			
18	2	2		9739-0531-22	Mutter.....	Nut.....			
19	1	1		1134-0266-00	Fästbygel.....	Attaching clamp.....			
20	1	1		1134-0267-00	Underläggsbleck.....	Clamp plate.....			
21	2	2		9997-0520-16	Skruv.....	Screw.....			
22	2	2		9739-0531-22	Mutter.....	Nut.....			
23	1	1		1134-3395-01	Fäste.....	Attachment.....			
24	2	2		9959-0820-16	Skruv.....	Screw.....		L = 20 mm	
25	2	2		9739-0831-22	Mutter.....	Nut.....			
26	1	1		1134-2021-01	Växelwirefäste.....	Clamp.....			
27	1	1		1134-4013-01	Distans.....	Spacer.....			
28	1	1		9959-0820-16	Skruv.....	Screw.....			
48	1	1		1134-5101-01	Bromsstång.....	Brake rod.....			
49	1	1		1134-3808-01	Knopp.....	Knob.....			
50	1	1		1131-1497-01	Fjäder.....	Spring.....			
51	1	1		1134-4002-01	Fäste.....	Brake rod attachment.....			
52	3	3		9838-9516-12	Skruv.....	Screw.....			
58	1	1		9959-0830-16	Skruv.....	Screw.....			
59	1	1		9739-0831-22	Mutter.....	Nut.....			
60	1	1		9787-0831-32	Mutter.....	Nut.....			
61	1	1		9757-0821-02	Hattmutter.....	Cap nut.....			



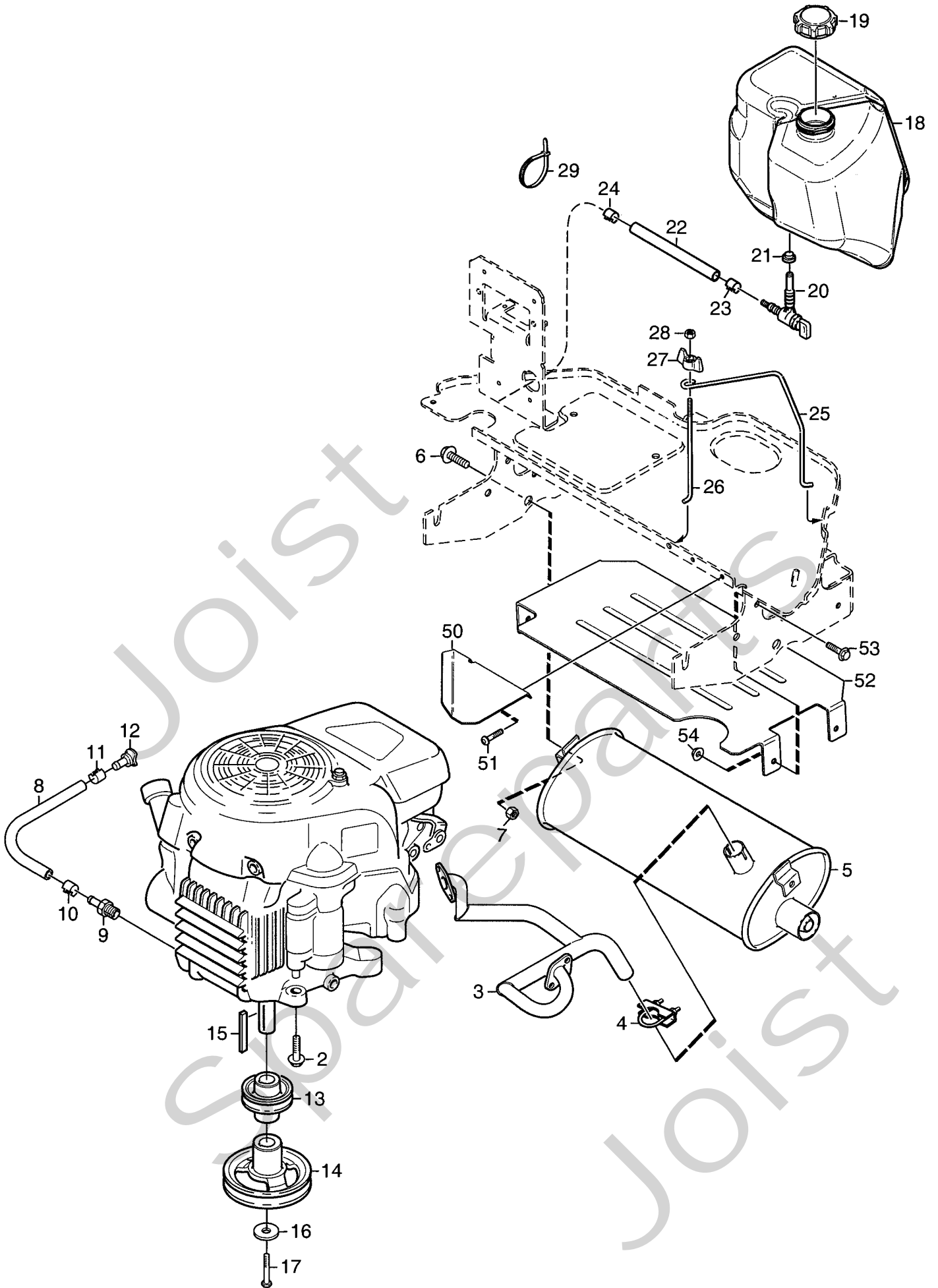
Utgåva Issue		Bildnr Picture No		PARK 4WD PRESTIGE- DIESEL FOTREGLAGE		PARK 4WD PRESTIGE- DIESEL FOOT CONTROLS		Sida Page	
2006- 11		2036						108	
Pos. Fig.	Antal/Quantity			Art nr Part No	Benämning	Description	Sats Kit	Anmärkning Notes	
	6185	6181							
	1	1		1134-5655-01	Broms/kopplingspedal.....	Brake/clutch pedal.....			
	2	1		1134-9024-01	Lager	Bearing.....			
X	3	1		1134-5677-02	Distans	Spacer.....		Sats 4 st/kit of 4	
	4	1		9997-1070-12	Skruv	Screw.....			
	5	1		9699-0030-02	Planbricka.....	Flat washer.....			
	6	1		9739-1031-22	Mutter.....	Nut.....			
X	7	1		1134-6005-01	Wire.....	Cable.....			
	8	1		4231-0013-00	Fjäder.....	Spring.....			
	9A	1		1134-3906-01	Wirefäste	Cable holder.....			
	9B		1	1134-6052-01	Wirefäste	Cable holder.....			
	10	2	2	9959-0816-16	Skruv	Screw.....			
	11	1	2	9739-0831-22	Mutter.....	Nut.....			
	12	1		9747-0831-02	Mutter.....	Lock nut.....			
	13	1	1	1134-4008-03	Drivpedal	Drive pedal.....			
	14	2	2	1134-2780-01	Lager	Bearing.....			
	15	2	2	1134-2700-01	Fäste.....	Bracket.....			
	16	2	2	9959-0820-16	Skruv	Screw.....			
	17	2	2	9739-0831-22	Mutter.....	Nut.....			
	18	1		9997-0840-16	Skruv	Screw.....			
	19	1	3	9739-0831-22	Mutter.....	Nut.....			
	20	1		9787-0831-32	Mutter.....	Nut.....			
	21	1		9757-0821-02	Hattmutter	Cap nut.....			
	22	1	1	1134-2766-05	Reglagewire	Speed control cable.....			
	23	2	2	9570-0001-00	Vinkellänk	Elbow link.....			
	24	2	2	9739-0531-22	Mutter.....	Nut.....			
	25	2	2	9747-0531-02	Mutter.....	Nut.....			
	26	1	1	1134-0266-00	Fästbygel.....	Attaching clamp.....			
	27	1	1	1134-0267-00	Underläggsbleck.....	Clamp plate.....			
	28	2	2	9997-0520-16	Skruv	Screw.....			
	29	2	2	9739-0531-22	Mutter.....	Nut.....			
	30	1	1	1134-3395-01	Fäste.....	Attachment.....			
	31	2	2	9959-0820-16	Skruv	Screw.....			
	32	2	2	9739-0831-22	Mutter.....	Nut.....			
	33	1	1	1134-2021-01	Växelwirefäste	Clamp.....			
	34	1	1	1134-5101-01	Bromsstång	Brake rod.....			
	36	1	1	1134-3808-01	Knopp.....	Knob.....			
	37	1	1	1131-1497-01	Fjäder.....	Spring.....			
	38	1	1	1134-4002-01	Fäste.....	Brake rod attachment.....			
	39	3	3	9838-9516-12	Skruv	Screw.....			
	40		1	1134-4944-01	Plåt.....	Stop plate.....			
	41		1	9997-0870-16	Skruv	Screw.....			
	42		1	9959-0816-16	Skruv	Screw.....			
	50		1	1134-4017-01	Arm- farthållare.....	Lever- cruise control.....			
X	51		1	1134-6124-01	Guideplåt	Guide plate.....			
	52		1	1134-1565-01	Distans	Spacer.....			
	53		1	9997-0850-16	Skruv	Screw.....			
	54		1	9699-0056-02	Planbricka.....	Flat washer.....			
	55		1	9739-0831-22	Mutter.....	Nut.....			
	56		1	1134-5646-01	Plåt- farthållare	Plate- cruise control.....			
	57		1	1134-2859-01	Magnet kpl.....	Magneto assy.....			
	58		1	1134-2858-01	• Fjäder.....	• Spring.....			
	59		2	9959-0820-16	Skruv	Screw.....			
	60		2	9739-0831-22	Mutter.....	Nut.....			
	61		1	1134-4021-01	Stag- farthållare	Rod- cruise control.....			
	62		2	9675-0012-02	Starlock	Locking washer.....			



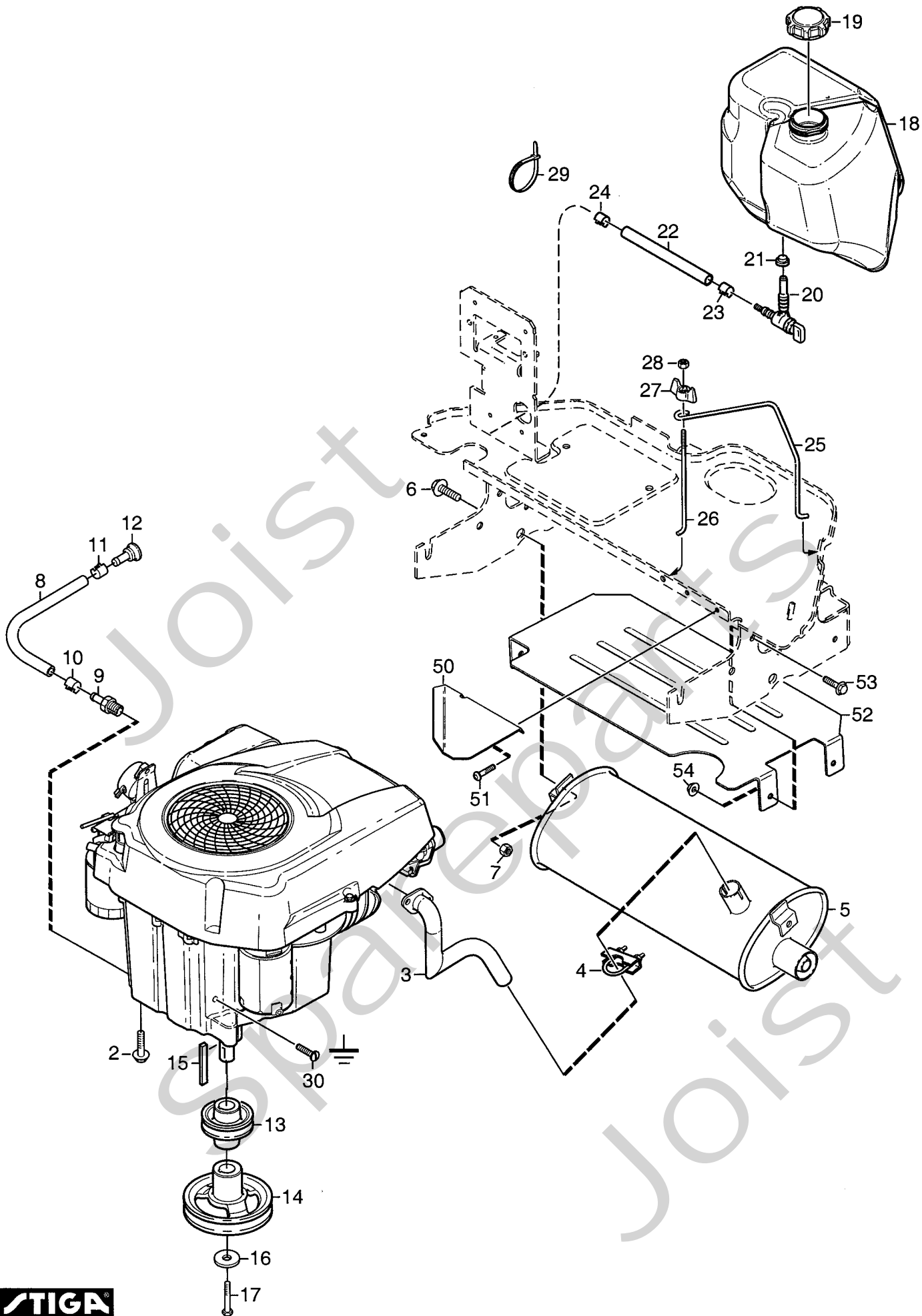
Utgåva Issue		Bildnr Picture No				PARK COMFORT-ROYAL-DIESEL PRESTIGE-DIESEL ELUTRUSTNING		PARK COMFORT-ROYAL-DIESEL PRESTIGE-DIESEL EL. EQUIPMENT		Sida Page	
2006-11		2020								110	
Pos. Fig.	Antal/Quantity				Art nr Part No	Benämning	Description	Sats Kit	Anmärkning Notes		
	6182	6183	6180 6181	6185							
X	1	1	1	1	1134-5751-01	Batteri.....	Battery				
X	2	1	1	1	1134-5994-01	Batteribygel.....	Battery loop.....				
	3	1	1	1	1134-5995-01	Batteribygel.....	Battery loop.....				
	4	1	1	1	1134-4481-02	Vingmutter.....	Wing nut.....				
	5	1	1	1	9747-0631-02	Låsmutter.....	Lock nut.....				
	6	1	1	1	1134-2962-01	Solenoid kpl.....	Solenoid assy.....				
	7	2	2	2	9794-5131-02	• Mutter.....	• Nut.....				
	8	2	2	2	9852-8013-16	Skruv.....	Screw.....				
	9	2	2	2	9699-0060-02	Planbricka.....	Flat washer.....				
	10	1	1	1	1134-4970-02	Kabel- röd.....	Cable- red.....				
	11	1	1	1	1134-3491-01	Säkringshållare.....	Fuse holder.....				
	12	1	1	1	1134-3496-01	Säkring.....	Fuse.....	10A			
	12	1	1	1	1134-3496-06	Säkring.....	Fuse.....	20A			
	12	1	1	1	1134-3496-07	Säkring.....	Fuse.....	30A			
	13	1	1	1	1134-3631-01	Lock-säkringsdosa.....	Cover-fuse holder.....				
	14			1	1134-3399-01	Brytare.....	Switch.....	13-6181-32			
	14	1	1	1	1134-3399-02	Brytare.....	Switch.....	13-6180-32			
	15	2	2	2	9943-0516-16	Skruv.....	Screw.....				
	16	1	1	1	1134-4172-01	Strålkastare kpl.....	Headlamp assy.....				
	16A	1	1	1	9400-0293-01	• Glödlampa.....	• Bulb.....	12V - 21W			
	17	2	2	2	9849-7819-16	Skruv.....	Screw.....				
	18	2	2	2	1134-4177-01	Clips.....	Clips.....				
	19	1	1	1	1134-4056-01	Honkontakt.....	Female terminal.....				
	20	1	1	1	1134-4052-01	Stödbricka.....	Support washer.....				
	21	2	2	2	9840-7716-16	Skruv.....	Screw.....				
	22A	1	1	1	1134-0234-02	Batterikabel (+).....	Battery cable (+).....				
X	22B			1	1134-6067-01	Kabel (+).....	Cable (+).....				
	23	1	1	1	1134-2310-01	Batteriskydd.....	Guard cap.....				
	24	7	7	7	9579-0003-00	Buntband.....	Cable holder.....				
	25	1	1	1	9632-0522-00	Popnit.....	Pop rivet.....				
	26	2	2	2	9400-0231-00	Kabelskarv.....	Splicer.....				
	27	2	2	2	9849-8006-16	Skruv.....	Screw.....				
X	40	1		1	1134-6032-01	Kablage.....	Cable harness.....				
X	40			1	1134-6034-01	Kablage.....	Cable harness.....	13-6180-32			
X	40			1	1134-6035-01	Kablage.....	Cable harness.....	13-6181-32			
X	40		1		1134-6120-01	Kablage.....	Cable harness.....				



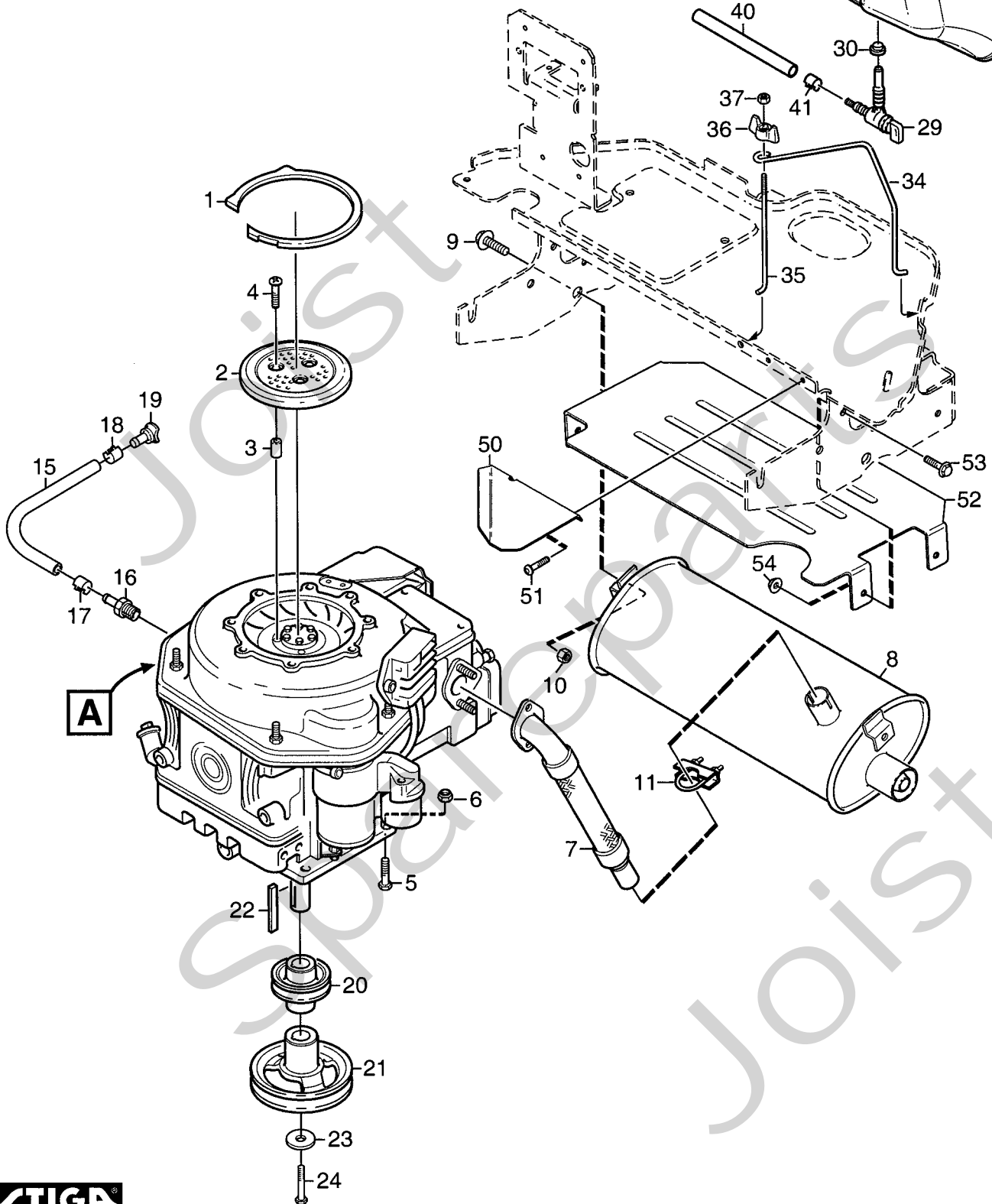
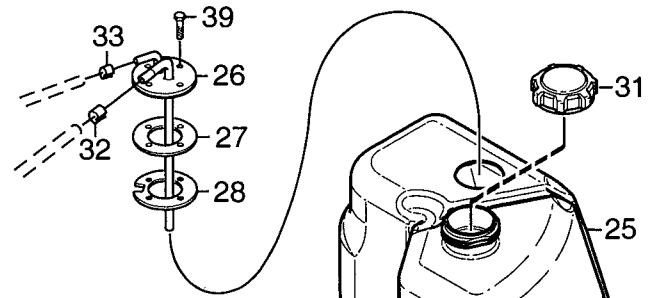
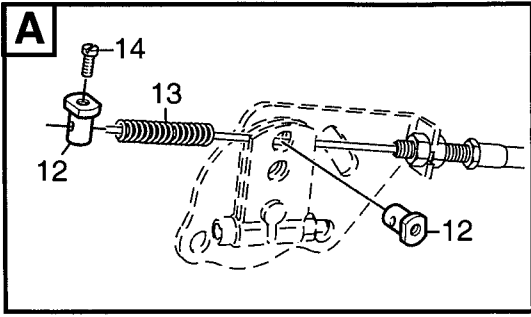
Utgåva Issue		Bildnr Picture No		PARK 2WD COMFORT MOTOR (Briggs & Stratton)		PARK 2WD COMFORT ENGINE (Briggs & Stratton)		Sida Page	
2006-11		2021						112	
Pos. Fig.	Antal/Quantity			Art nr Part No	Benämning	Description	Sats Kit	Anmärkning Notes	
	6182								
X	1	1		1134-6116-02	Luftring.....	Air duct.....			
	2	4		9955-3725-16	Skruv.....	Screw.....			
X	3	1		1134-6100-01	Grenrör.....	Exhaust pipe.....			
X	4	1		9578-0011-01	Klämma.....	Clamp.....			
X	5	1		1134-6024-01	Ljuddämpare.....	Muffler.....			
	6	1		9959-0816-16	Skruv.....	Screw.....			
	7	1		9739-0831-22	Mutter.....	Nut.....			
	8	1		1134-5827-01	Oljeavtappning kpl.....	Oil drain assy.....		Inkl. pos 9 - 12	
	9	1		1134-5825-01	• Nippel.....	• Nipple.....			
	10	1		9578-0023-04	• Slangklämma.....	• Hose clamp.....			
	11	1		1134-3499-02	• Slangklämma.....	• Hose clamp.....			
	12	1		1134-5826-01	• Plugg.....	• Plug.....			
	13	1		1134-5000-01	Motorremskiva.....	Engine pulley.....			
	14	1		1134-4999-01	Motorremskiva.....	Engine pulley.....			
	15	1		9600-0251-01	Kil.....	Key.....			
	16	1		1134-5017-01	Bricka.....	Washer.....			
	17	1		9987-5332-16	Skruv.....	Screw.....			
X	18	1		1134-5938-01	Bränsletank.....	Fuel tank.....			
	19	1		1134-5532-01	Tanklock.....	Fuel tank cap.....			
	20	1		1134-3224-01	Bensinkran.....	Fuel shut-off valve.....			
	21	1		1134-3225-01	Gummibussning.....	Grommet.....			
X	22	1		1134-2975-13	Bensinslang.....	Fuel hose.....		L = 1100	
	23	1		9578-0023-02	Slangklämma.....	Hose clamp.....			
	24	1		9578-0023-02	Slangklämma.....	Hose clamp.....			
X	25	1		1134-5942-01	Tankbygel.....	Tank loop.....			
X	26	1		1134-5996-01	Tankbygel.....	Tank loop.....			
	27	1		1134-4481-02	Vingmutter.....	Wing nut.....			
	28	1		9747-0631-02	Låsmutter.....	Lock nut.....			
	29	1		9579-0003-00	Buntband.....	Cable holder.....			
	30	1		9852-8013-16	Skruv.....	Screw.....			
	31	1		1134-0433-00	Ljuddämparpackning.....	Muffler gasket.....			
	32	2		1134-4930-01	Skruv.....	Screw.....			
X	50	1		1134-6234-01	Deflektor.....	Heat deflector.....			
	51	2		9943-0516-16	Skruv.....	Screw.....			
X	52	1		1134-6251-01	Deflektor.....	Heat deflector.....			
	53	4		9959-0612-16	Skruv.....	Screw.....			
	54	4		9739-0631-22	Mutter.....	Nut.....			



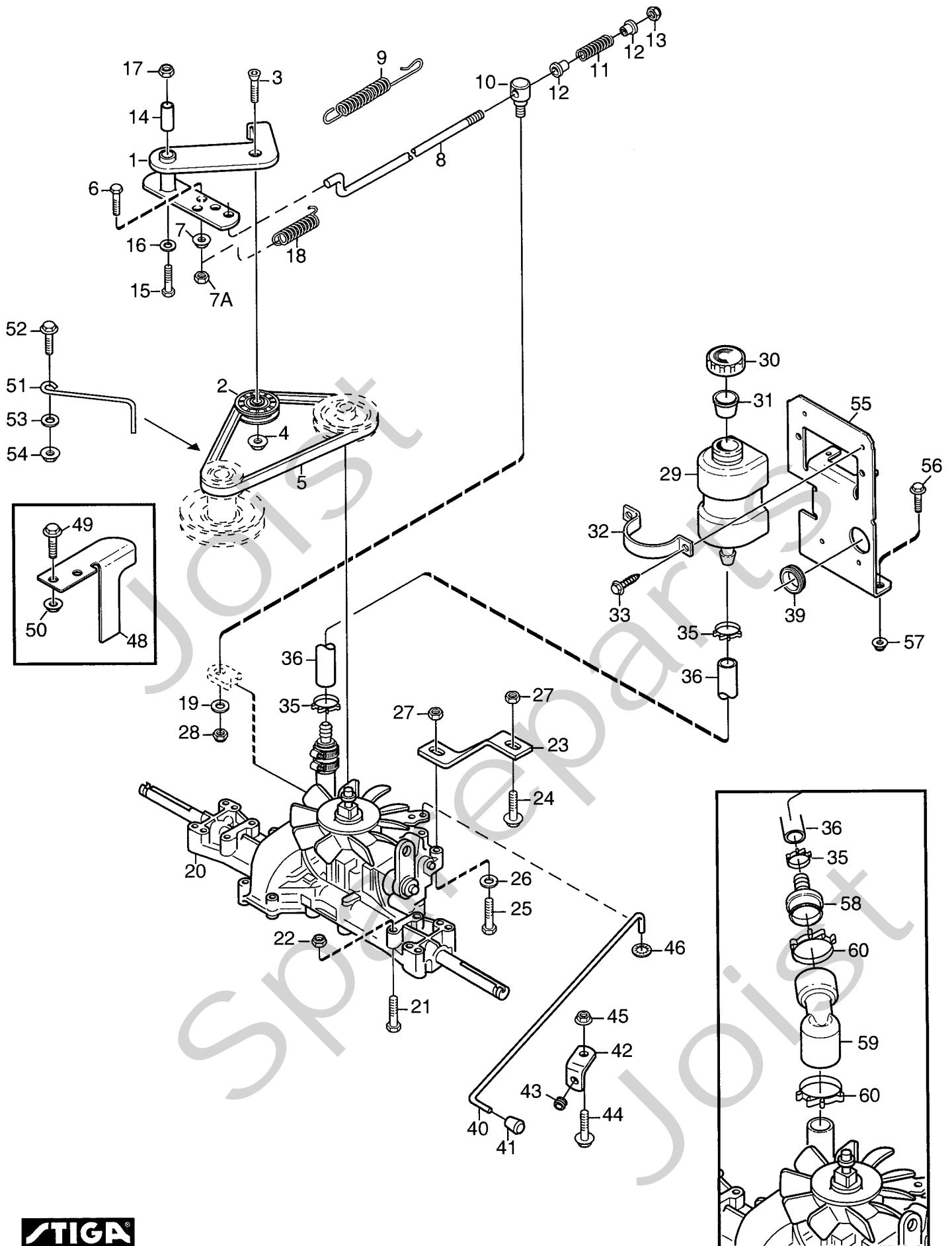
Utgåva Issue		Bildnr Picture No		PARK 2WD ROYAL MOTOR (Honda)		PARK 2WD ROYAL ENGINE (Honda)		Sida Page	
2006-11		2022						114	
Pos. Fig.	Antal/Quantity			Art nr Part No	Benämning	Description	Sats Kit	Anmärkning Notes	
	6183								
X	2	4		9955-3725-16	Skruv	Screw			
X	3	1		1134-5947-01	Grenrör	Exhaust pipe			
X	4	1		9578-0011-01	Klämma	Clamp			
X	5	1		1134-6024-01	Ljuddämpare	Muffler			
	6	1		9959-0816-16	Skruv	Screw			
	7	1		9739-0831-22	Mutter	Nut			
	8	1		1134-5827-01	Oljeavtappning kpl	Oil drain assy		Inkl. pos 9 - 12	
	9	1		1134-5825-01	- Nippel	• Nipple			
	10	1		9578-0023-04	• Slangklämma	• Hose clamp			
	11	1		1134-3499-02	• Slangklämma	• Hose clamp			
	12	1		1134-5826-01	• Plugg	• Plug			
	13	1		1134-5000-01	Motorremskiva	Engine pulley			
	14	1		1134-4999-01	Motorremskiva	Engine pulley			
	15	1		9600-0251-01	Kil	Key			
	16	1		1134-5017-01	Bricka	Washer			
X	17	1		9987-5332-16	Skruv	Screw			
	18	1		1134-5938-01	Bränsletank	Fuel tank			
	19	1		1134-5532-01	Tanklock	Fuel tank cap			
	20	1		1134-3224-01	Bensinkran	Fuel shut-off valve			
	21	1		1134-3225-01	Gummibussning	Grommet			
X	22	1		1134-2975-13	Bensinslang	Fuel hose		L = 1100	
	23	1		9578-0023-02	Slangklämma	Hose clamp			
	24	1		9578-0023-02	Slangklämma	Hose clamp			
X	25	1		1134-5942-01	Tankbygel	Tank loop			
X	26	1		1134-5996-01	Tankbygel	Tank loop			
	27	1		1134-4481-02	Vingmutter	Wing nut			
	28	1		9747-0631-02	Låsmutter	Lock nut			
	29	1		9579-0003-00	Buntband	Cable holder			
	30	1		9893-0616-16	Skruv	Screw			
X	50	1		1134-6234-01	Deflektor	Heat deflector			
	51	2		9943-0516-16	Skruv	Screw			
X	52	1		1134-6251-01	Deflektor	Heat deflector			
	53	4		9959-0612-16	Skruv	Screw			
	54	4		9739-0631-22	Mutter	Nut			



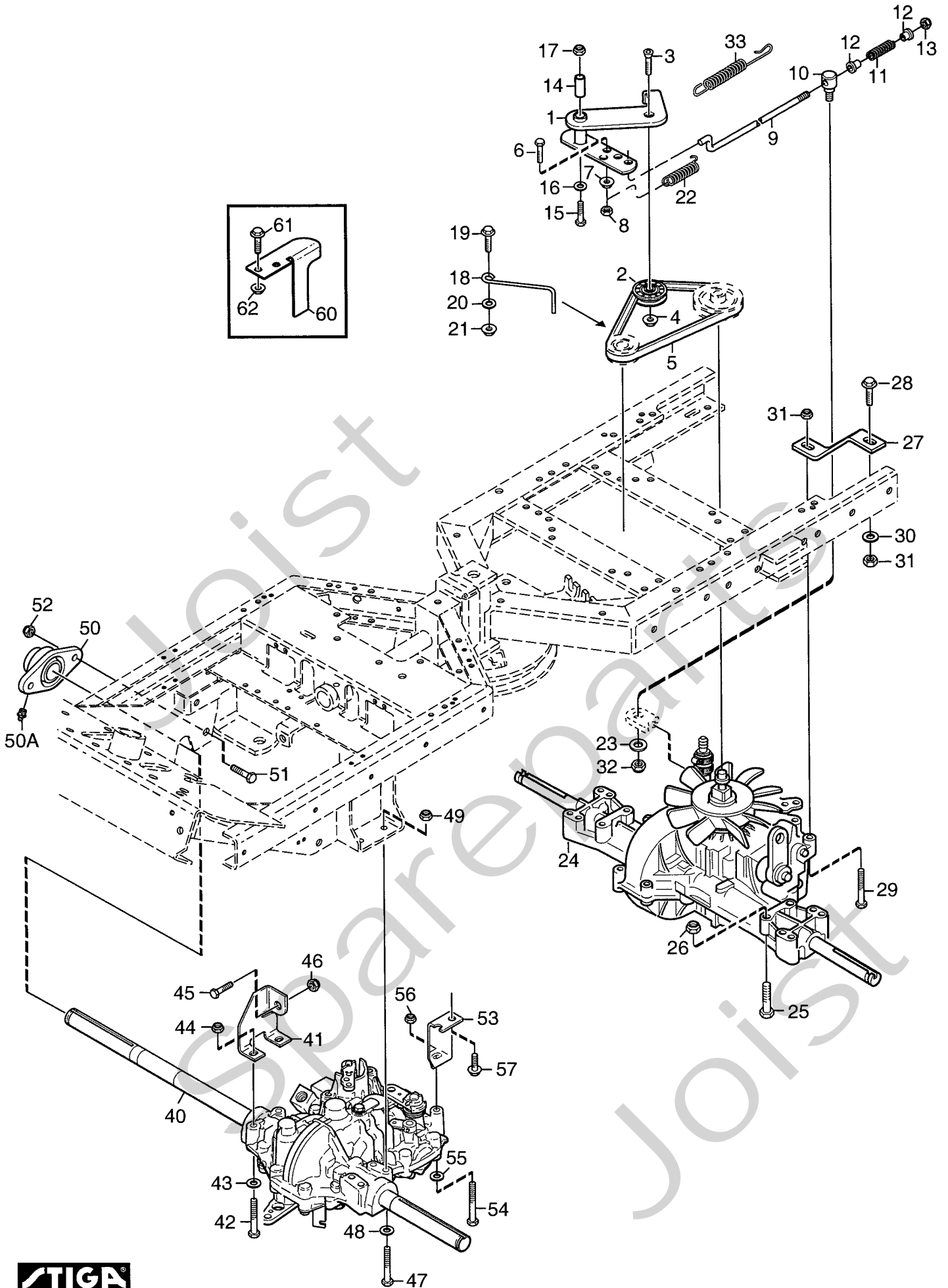
Utgåva Issue		Bildnr Picture No		PARK 4WD PRESTIGE MOTOR (Kohler)		PARK 4WD PRESTIGE ENGINE (Kohler)		Sida Page	
2006-11		2037						116	
Pos. Fig.	Antal/Quantity			Art nr Part No	Benämning	Description	Sats Kit	Anmärkning Notes	
	6185								
X	2	4		9955-3725-16	Skruv	Screw			
X	3	1		1134-6021-01	Grenrör	Exhaust pipe			
X	4	1		9578-0011-01	Klämma	Clamp			
X	5	1		1134-6024-01	Ljuddämpare	Muffler			
	6	1		9959-0816-16	Skruv	Screw			
	7	1		9739-0831-22	Mutter	Nut			
	8	1		1134-5827-01	Oljeavtappning kpl	Oil drain assy		Inkl. pos 9 - 12	
	9	1		1134-5825-01	• Nippel	• Nipple			
	10	1		9578-0023-04	• Slangklämma	• Hose clamp			
	11	1		1134-3499-02	• Slangklämma	• Hose clamp			
	12	1		1134-5826-01	• Plugg	• Plug			
X	13	1		1134-6137-01	Motorremskiva	Engine pulley			
	14	1		1134-4999-01	Motorremskiva	Engine pulley			
	15	1		9600-0251-01	Kil	Key			
	16	1		1134-5017-01	Bricka	Washer			
	17	1		9987-5332-16	Skruv	Screw			
X	18	1		1134-5938-01	Bränsletank	Fuel tank			
	19	1		1134-5532-01	Tanklock	Fuel tank cap			
	20	1		1134-3224-01	Bensinkran	Fuel shut-off valve			
	21	1		1134-3225-01	Gummibussning	Grommet			
X	22	1		1134-2975-13	Bensinslang	Fuel hose		L = 1100	
	23	1		9578-0023-02	Slangklämma	Hose clamp			
	24	1		9578-0023-02	Slangklämma	Hose clamp			
X	25	1		1134-5942-01	Tankbygel	Tank loop			
X	26	1		1134-5996-01	Tankbygel	Tank loop			
	27	1		1134-4481-02	Vingmutter	Wing nut			
	28	1		9747-0631-02	Låsmutter	Lock nut			
	29	1		9579-0003-00	Buntband	Cable holder			
	30	1		9893-0616-16	Skruv	Screw			
X	50	1		1134-6234-01	Deflektor	Heat deflector			
	51	2		9943-0516-16	Skruv	Screw			
X	52	1		1134-6251-01	Deflektor	Heat deflector			
	53	4		9959-0612-16	Skruv	Screw			
	54	4		9739-0631-22	Mutter	Nut			



Utgåva Issue		Bildnr Picture No		PARK 2WD/4WD DIESEL MOTOR (Hatz)		PARK 2WD/4WD DIESEL ENGINE (Hatz)		Sida Page	
2006-11		2023						118	
Pos. Fig.	Antal/Quantity				Art nr Part No	Benämning	Description	Sats Kit	Anmärkning Notes
	6180	6181							
X	1	1			1134-6054-01	Tätningring	Seal ring.....		
	2	1			1134-4962-01	Fläktskydd	Fan cover		
	3	3			1134-4963-01	Distans	Spacer.....		
	4	3			9948-0630-16	Skruv	Screw.....		
	5	4			9997-1050-16	Skruv	Screw.....		
	6	4			9747-1031-02	Låsmutter	Lock nut		
X	7	1			1134-6012-01	Grenrör	Exhaust pipe		
X	8	1			1134-6024-01	Ljuddämpare	Muffler		
	9	2			9959-0816-16	Skruv	Screw.....		
	10	2			9739-0831-22	Mutter.....	Nut.....		
X	11	1			9578-0011-01	Klämma	Clamp.....		
X	12	2			1134-6118-01	Skruvnippel	Cable nipple		
X	13	1			1134-6126-01	Tryckfjäder	Comp. spring		
	14	1			9997-0412-16	Skruv	Screw.....		
X	15	1			1134-5827-04	Oljeavtappning kpl	Oil drain assy		Inkl. pos 16 - 19
	16	1			1134-5825-01	• Nippel	• Nipple		
	17	1			9578-0023-04	• Slangklämma	• Hose clamp		
	18	1			1134-3499-02	• Slangklämma	• Hose clamp		
	19	1			1134-5826-01	• Plugg	• Plug		
X	20	1			1134-6139-01	Motorremskiva	Engine pulley.....		
	21	1			1134-4999-01	Motorremskiva	Engine pulley.....		
	22	1			9600-0251-01	Kil	Key.....		
	23	1			1134-5017-01	Bricca	Washer.....		
	24	1			9987-5332-16	Skruv	Screw.....		
X	25	1			1134-5938-02	Bränsletank.....	Fuel tank		
X	26	1			1134-6130-01	Bränslegenomföring	Fuel connection.....		
X	27	1			1134-6136-01	Packning.....	Sealing		
X	28	1			1134-6134-01	Fläns	Flange		
	29	1			1134-3224-01	Bensinkran.....	Fuel shut-off valve		
	30	1			1134-3225-01	Gummibussning	Grommet.....		
	31	1			1134-5532-01	Tanklock	Fuel tank cap		
	32	1			9578-0023-02	Slangklämma	Hose clamp		
X	33	1			9578-0023-07	Slangklämma	Hose clamp		
X	34	1			1134-5942-01	Tankbygel	Tank loop		
X	35	1			1134-5996-01	Tankbygel	Tank loop		
	36	1			1134-4481-02	Vingmutter.....	Wing nut		
	37	1			9747-0631-02	Låsmutter	Lock nut		
	38	1			9959-0820-16	Skruv	Screw.....		
	39	4			9997-0520-16	Skruv	Screw.....		
	40	1			1134-2975-12	Bensinslang	Fuel hose.....		
	41	1			9578-0023-02	Slangklämma	Hose clamp		
X	50	1			1134-6234-01	Deflektor	Heat deflector.....		
	51	2			9943-0516-16	Skruv	Screw.....		
X	52	1			1134-6251-01	Deflektor	Heat deflector.....		
	53	4			9959-0612-16	Skruv	Screw.....		
	54	4			9739-0631-22	Mutter.....	Nut.....		

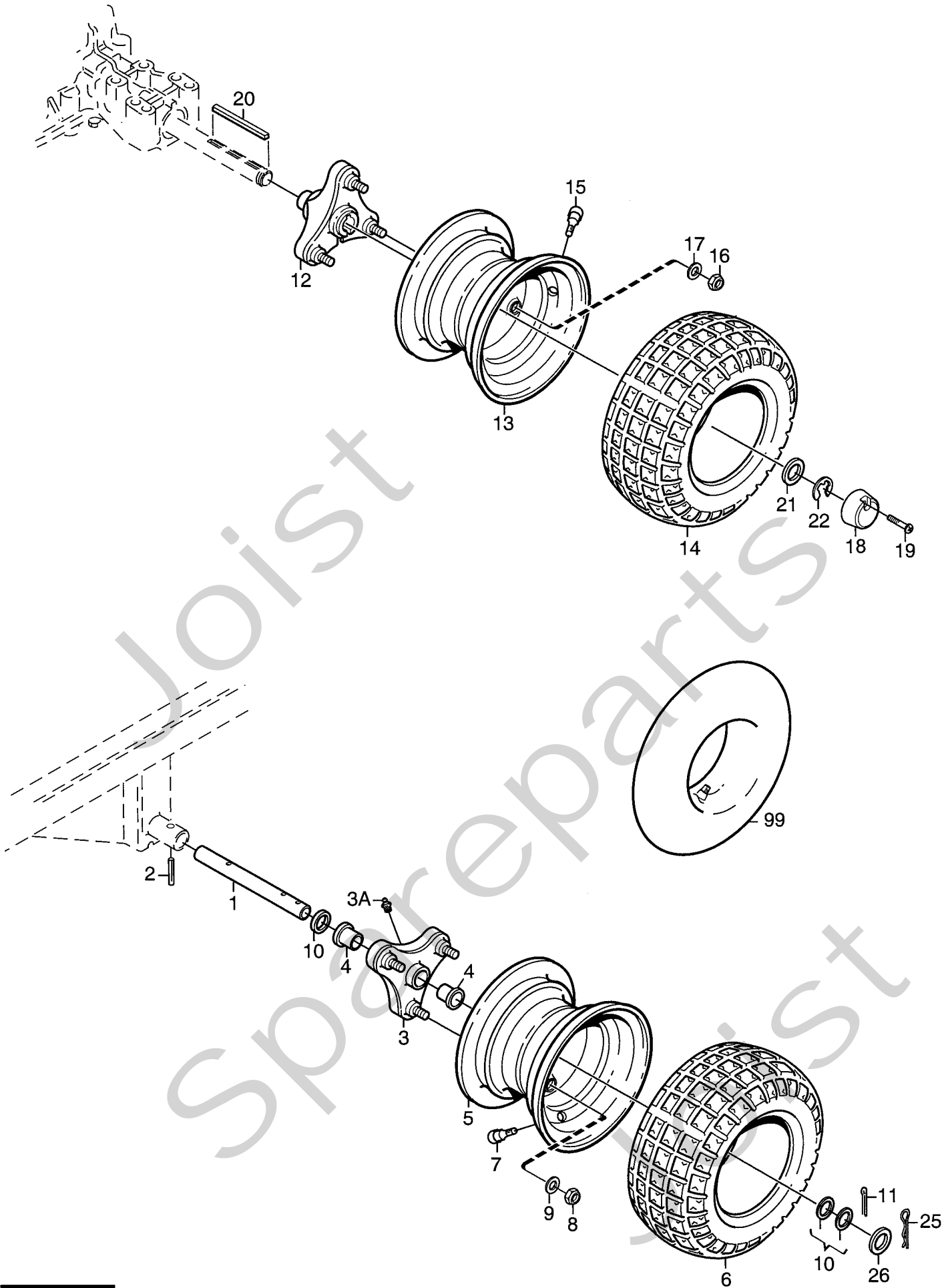


Utgåva Issue		Bildnr Picture No		PARK 2WD COMFORT-ROYAL-DIESEL TRANSMISSION		PARK 2WD COMFORT-ROYAL-DIESEL TRANSMISSION		Sida Page	
2006-11		1996A						120	
Pos. Fig.	Antal/Quantity			Art nr Part No	Benämning	Description	Sats Kit	Anmärkning Notes	
	6182 6183	6180							
1	1	1		1134-4000-02	Spännarm.....	Tension arm.....			
2	1	1		1134-3459-01	Spännrulle.....	Tension roller.....			
3	1	1		9924-1035-16	Skruv.....	Screw.....			
4	1	1		9799-1031-02	Mutter.....	Nut.....			
5	1	1		1134-9058-01	Drivrem.....	V-belt.....		= 9585-0091-01	
6	1	1		9997-0625-16	Skruv.....	Screw.....			
7	1	1		9739-0631-22	Mutter.....	Nut.....			
7A	1	1		9747-0631-02	Låsmutter.....	Lock nut.....			
8	1	1		1134-3377-02	Reglagestång.....	Control rod.....			
9	1	1		4231-0013-00	Fjäder.....	Spring.....			
10	1	1		1134-4171-01	Ledtapp.....	Pivot pin.....			
11	1	1		1134-4183-01	Tryckfjäder.....	Compression spring.....			
12	2	2		1134-3456-01	Bussning.....	Bushing.....			
13	1	1		9747-0631-02	Låsmutter.....	Lock nut.....			
14	1	1		1134-1565-08	Distans.....	Spacer.....			
15	1	1		9997-0870-16	Skruv.....	Screw.....			
16	1	1		9699-0056-02	Planbricka.....	Flat washer.....			
17	1	1		9747-0831-02	Mutter.....	Lock nut.....			
18	1	1		1134-1949-01	Fjäder.....	Spring.....			
19	1	1		9699-0060-02	Planbricka.....	Flat washer.....			
20	1	1		1134-4848-01	Transaxel.....	Transaxle.....		Kanzaki K46G	
21	4	4		9997-0865-12	Skruv.....	Screw.....			
22	4	4		9747-0831-02	Mutter.....	Lock nut.....			
23	1	1		1134-3913-01	Reaktionsstag.....	Strut.....			
24	1	1		9959-0825-16	Skruv.....	Screw.....			
25	1	1		9997-0845-12	Skruv.....	Screw.....			
26	1	1		9699-0028-02	Planbricka.....	Flat washer.....			
27	2	2		9747-0831-02	Mutter.....	Lock nut.....			
28	1	1		9747-0631-02	Låsmutter.....	Lock nut.....			
29	1	1		1134-2765-02	Oljetank.....	Oil tank.....			
30	1	1		1134-2777-02	Tanklock.....	Filler cap.....			
31	1	1		1134-3734-01	Luftningsplugg.....	Vent plug.....			
32	1	1		1134-2778-01	Fästband.....	Retainer strap.....			
33	2	2		9840-8009-16	Skruv.....	Screw.....			
35	2	2		9578-0023-04	Slangklämma.....	Hose clamp.....		15 x 8	
36	1	1		1134-2779-09	Slang.....	Tube.....		L = 290 mm	
39	1	1		1134-3203-01	Kabelgenomföring.....	Grommet.....			
40	1	1		1134-4015-01	Dragstång.....	Pull rod.....			
41	1	1		1134-4014-01	Plastknopp.....	Plastic button.....			
42	1	1		1134-4713-01	Vinkel.....	Bracket.....			
43	1	1		1134-2790-01	Gummihylsa.....	Rubber grommet.....			
44	1	1		9959-0816-16	Skruv.....	Screw.....			
45	1	1		9739-0831-22	Mutter.....	Nut.....			
46	1	1		9675-0009-02	Starlock.....	Starlock.....			
48		1		1134-6047-01	Remstyrning.....	Belt guide.....			
49		1		9959-1020-16	Skruv.....	Screw.....			
50		1		9739-1031-22	Mutter.....	Nut.....			
51	1			1134-3289-02	Remstyrning.....	Belt guide.....			
52	1			9959-0820-16	Skruv.....	Screw.....			
53	1			9699-0056-02	Planbricka.....	Flat washer.....			
54	1			9739-0831-22	Mutter.....	Nut.....			
X 55	1	1		1134-5941-01	Tankkonsol.....	Tank bracket.....			
56	2	2		9959-0816-16	Skruv.....	Screw.....			
57	2	2		9739-0831-22	Mutter.....	Nut.....			
58		1		1134-6051-01	Slangnippel.....	Hose nipple.....			
59		1		1134-6050-01	Böj.....	Elbow.....			
60		2		9578-0023-06	Slangklämma.....	Hose clamp.....			

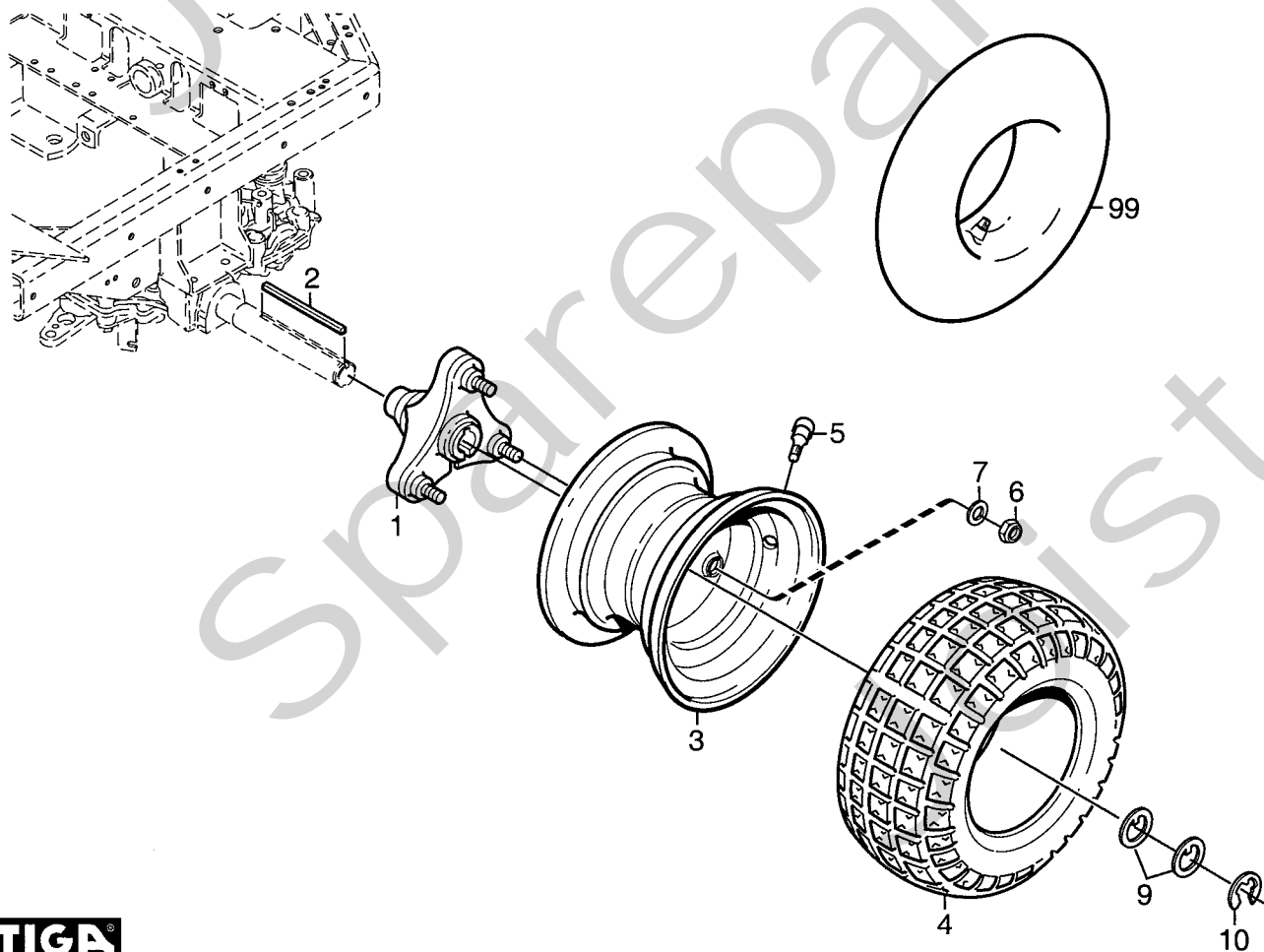
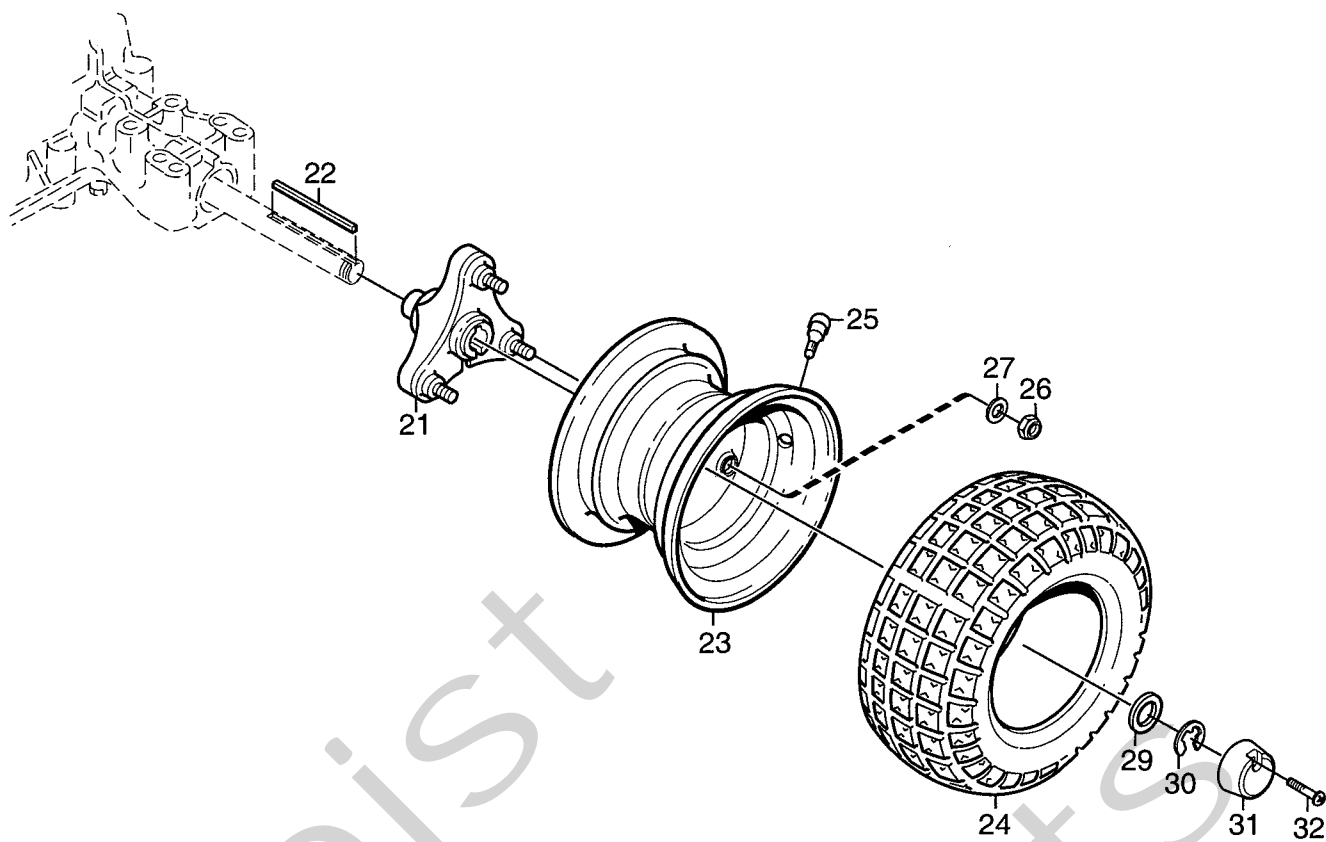


Utgåva Issue		Bildnr Picture No		PARK 4WD PRESTIGE- DIESEL TRANSMISSION (mekaniska delar)		PARK 4WD PRESTIGE- DIESEL TRANSMISSION (mechanical parts)		Sida Page
2006- 11		2038						122
Pos. Fig.	Antal/Quantity			Art nr Part No	Benämning	Description	Sats Kit	Anmärkning Notes
	6185	6181						
	1	1		1134- 4000- 02	Spännarm.....	Tension arm.....		
	2	1	1	1134- 3459- 01	Spännrulle.....	Tension roller.....		
	3	1	1	9924- 1035- 16	Skruv.....	Screw.....		
	4	1	1	9799- 1031- 02	Mutter.....	Nut.....		
	5	1	1	1134- 9058- 01	Drivrem.....	V- belt.....		= 9585- 0091- 01
	6	1	1	9997- 0625- 16	Skruv.....	Screw.....		
	7	1	1	9739- 0631- 22	Mutter.....	Nut.....		
	8	1	1	9747- 0631- 02	Låsmutter.....	Lock nut.....		
	9	1	1	1134- 3377- 02	Reglagestång.....	Control rod.....		
	10	1	1	1134- 4171- 01	Ledtapp.....	Pivot pin.....		
	11	1	1	1134- 4183- 01	Tryckfjäder.....	Compression spring.....		
	12	2	2	1134- 3456- 01	Bussning.....	Bushing.....		
	13	1	1	9747- 0631- 02	Låsmutter.....	Lock nut.....		
	14	1	1	1134- 1565- 08	Distans.....	Spacer.....		
	15	1	1	9997- 0870- 16	Skruv.....	Screw.....		
	16	1	1	9699- 0056- 02	Planbricka.....	Flat washer.....		
	17	1	1	9747- 0831- 02	Mutter.....	Lock nut.....		
	18	1	1	1134- 3289- 02	Remstyrning.....	Belt guide.....		
	19	1	1	9959- 0820- 16	Skruv.....	Screw.....		
	20	1	1	9699- 0056- 02	Planbricka.....	Flat washer.....		
	21	1	1	9739- 0831- 22	Mutter.....	Nut.....		
	22	1	1	1134- 1949- 01	Fjäder.....	Spring.....		
	23	1	1	9699- 0060- 02	Planbricka.....	Flat washer.....		
X	24	1	1	1134- 6028- 01	Transaxel.....	Transaxle.....		Kanzaki K574B 2- port
X	24	1	1	1134- 6129- 01	Transaxel.....	Transaxle.....		Kanzaki K574F 4- port
	25	4	4	9997- 0865- 12	Skruv.....	Screw.....		
	26	4	4	9747- 0831- 02	Mutter.....	Lock nut.....		
	27	1	1	1134- 3913- 01	Reaktionsstag.....	Strut.....		
	28	1	1	9959- 0825- 16	Skruv.....	Screw.....		
	29	1	1	9997- 0845- 12	Skruv.....	Screw.....		
	30	1	1	9699- 0028- 02	Planbricka.....	Flat washer.....		
	31	2	2	9747- 0831- 02	Mutter.....	Lock nut.....		
	32	1	1	9747- 0631- 02	Låsmutter.....	Lock nut.....		
	33	1	1	4231- 0013- 00	Fjäder.....	Spring.....		
X	40	1	1	1134- 6029- 01	Motoraxel- fram.....	Motor unit- front.....		Kanzaki KTM 10M
	41	1	1	1134- 5650- 01	Transaxelfäste.....	Transaxle bracket.....		
	42	2	2	9997- 0860- 16	Skruv.....	Screw.....		
	43	2	2	9699- 0090- 02	Planbricka.....	Flat washer.....		
	44	2	2	9747- 0831- 02	Mutter.....	Lock nut.....		
	45	1	1	9959- 1025- 16	Skruv.....	Screw.....		
	46	1	1	9747- 1031- 02	Låsmutter.....	Lock nut.....		
	47	2	2	9997- 0865- 12	Skruv.....	Screw.....		
	48	2	2	9699- 0090- 02	Planbricka.....	Flat washer.....		
	49	2	2	9747- 0831- 02	Mutter.....	Lock nut.....		
	50	1	1	1134- 5703- 01	Flänslagerenhet.....	Flange bearing.....		
	50A	1	1	9501- 0500- 00	• Smörjnippl.....	• Grease joint.....		
	51	2	2	9997- 1040- 16	Skruv.....	Screw.....		
	52	2	2	9747- 1031- 02	Låsmutter.....	Lock nut.....		
	53	1	1	1134- 5670- 01	Reaktionsstag.....	Strut.....		
	54	1	1	9997- 0880- 16	Skruv.....	Screw.....		
	55	1	1	9699- 0090- 02	Planbricka.....	Flat washer.....		
	56	1	1	9747- 0831- 02	Mutter.....	Lock nut.....		
	57	2	2	9945- 0816- 16	Skruv.....	Screw.....		
	60		1	1134- 6047- 01	Remstyrning.....	Belt guide.....		
	61		1	9959- 1020- 16	Skruv.....	Screw.....		
	62		1	9739- 1031- 22	Mutter.....	Nut.....		

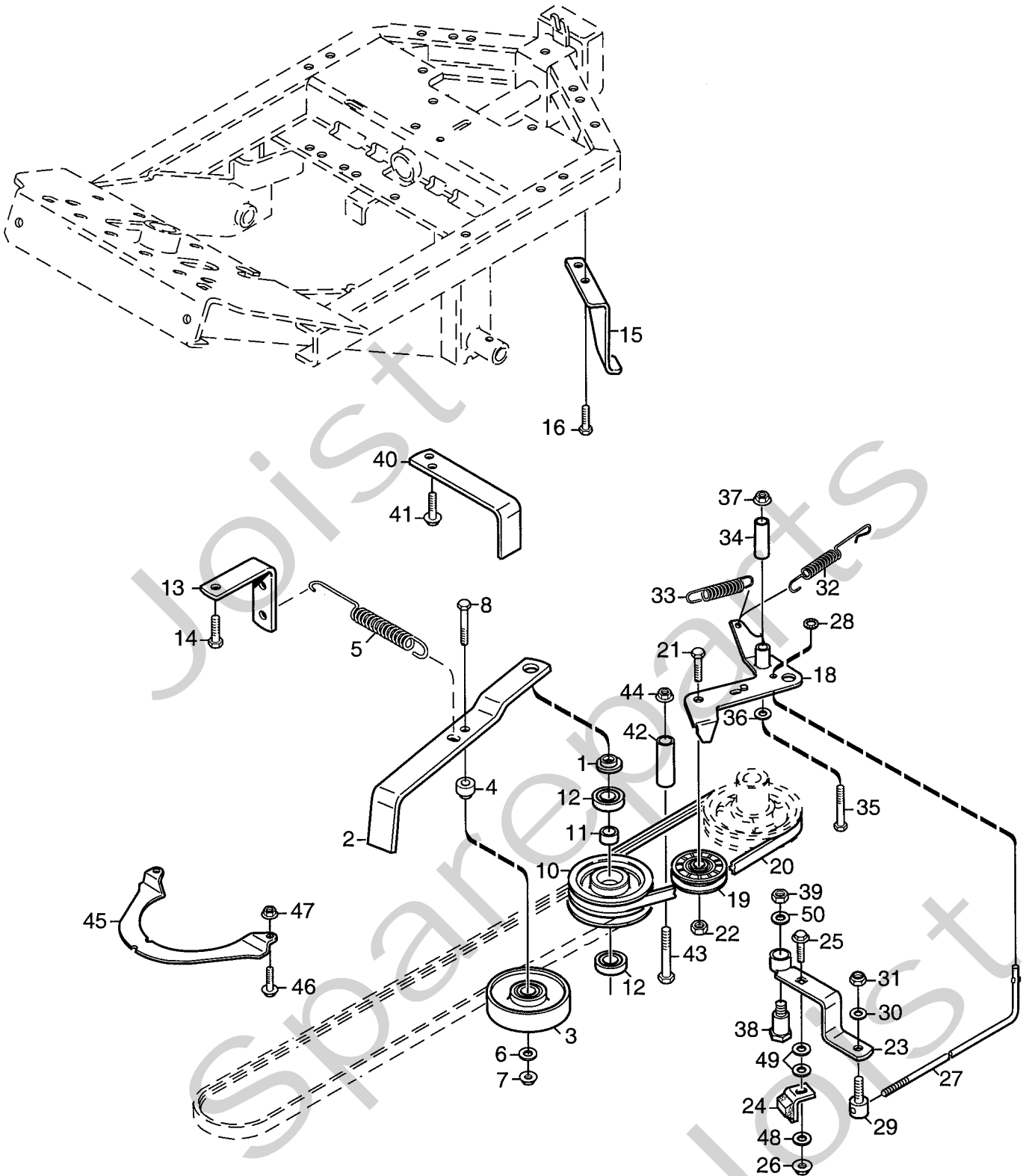
Utgåva Issue		Bildnr Picture No		PARK 4WD PRESTIGE- DIESEL TRANSMISSION (hydrauliska delar)		PARK 4WD PRESTIGE- DIESEL TRANSMISSION (hydraulic parts)		Sida Page	
2006- 11		2039						124	
Pos. Fig.	Antal/Quantity			Art nr Part No	Benämning	Description	Sats Kit	Anmärkning Notes	
	6185	6181							
X	1	1	1	1134-6044-01	Vinkeladapter.....	Angle coupling.....		3/4" x 9/16"	
	1A	1	1	9404-0029-01	• O-ring.....	• O-ring.....			
	2	1	1	1134-5875-01	Skärringskoppling.....	Hydraulic coupling.....		3/4"	
	2A	1	1	9404-0029-01	• O-ring.....	• O-ring.....			
X	3	1	1	1134-6039-01	Hydraulrör.....	Hydraulic pipe.....			
	4	1	1	1134-4948-01	Tredobricka.....	Seal washer.....		1/4"	
X	5	1	1	1134-6042-01	Snabbkoppling- hane.....	Quick coupling- male.....			
X	6	1	1	9578-0028-01	Rörklammer.....	Tube clamp.....			
	7	1	1	9959-0825-16	Skruv.....	Screw.....			
	8	1	1	1134-1565-09	Distans.....	Spacer.....			
	9	1	1	1134-5809-01	Adapter.....	Hydraulic coupling.....		3/4" x 9/16"	
	9A	1	1	9404-0029-01	• O-ring.....	• O-ring.....			
X	10	1	1	1134-5758-04	Hydraulslang.....	Hydraulic tube.....			
X	11	1	1	1134-6048-01	Hydraulslang.....	Hydraulic tube.....			
X	12	1	1	1134-6043-01	Hydraulslang.....	Hydraulic tube.....			
X	13	1	1	1134-6011-01	Hydraultank.....	Hydraulic oil tank.....			
	13A	1	1	1134-5965-01	• Tanklock.....	• Tank cap.....			
X	14	1	1	1134-5941-01	Tankkonsol.....	Tank bracket.....			
	15	2	2	9959-0816-16	Skruv.....	Screw.....			
	16	2	2	9739-0831-22	Mutter.....	Nut.....			
	17	1	1	1134-3203-01	Kabelgenomföring.....	Grommet.....			
X	18	1	1	1134-5943-01	Tankbygel.....	Tank loop.....			
	19	2	2	9747-0631-02	Låsmutter.....	Lock nut.....			
	20	3	3	9578-0023-04	Slangklämma.....	Hose clamp.....			
	21	1	1	1134-2779-02	Slang.....	Tube.....		L = 260 mm	
X	30	1	1	1134-6162-01	Fäste.....	Bracket.....			
	31	2	2	9939-0612-16	Skruv.....	Screw.....			
	32	2	2	9699-0025-02	Planbricka.....	Washer.....			
X	33	1	1	1134-6163-01	Wire.....	Cable.....			
	34	1	1	9997-0835-12	Skruv.....	Screw.....			
	35	2	2	9739-0831-22	Mutter.....	Nut.....			
X	36	1	1	1134-6084-01	Reglagekonsol.....	Control bracket.....			
X	37	1	1	1134-6083-01	Reglagestång.....	Control rod.....			
	38	1	1	1134-4014-01	Plastknopp.....	Plastic button.....			
	39	1	1	1134-2790-01	Gummihylsa.....	Rubber grommet.....			
	40	1	1	9675-0009-02	Starlock.....	Starlock.....			
	50	1	1	1134-4015-01	Dragstång.....	Pull rod.....			
	51	1	1	1134-4014-01	Plastknopp.....	Plastic button.....			
	52	1	1	1134-4713-01	Vinkel.....	Bracket.....			
	53	1	1	1134-2790-01	Gummihylsa.....	Rubber grommet.....			
	54	1	1	9959-0816-16	Skruv.....	Screw.....			
	55	1	1	9739-0831-22	Mutter.....	Nut.....			
	56	1	1	9675-0009-02	Starlock.....	Starlock.....			
	60		1	1134-6051-01	Slangnippel.....	Hose nipple.....			
	61		1	1134-6050-01	Böj.....	Elbow.....			
	62		2	9578-0023-06	Slangklämma.....	Hose clamp.....			



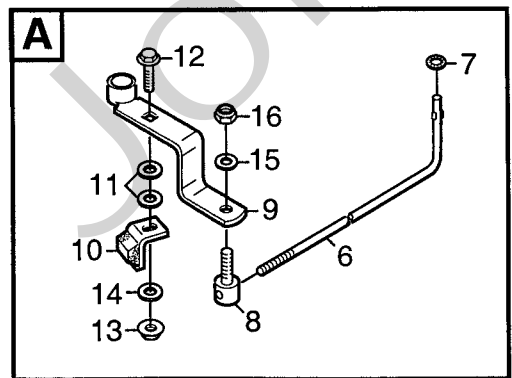
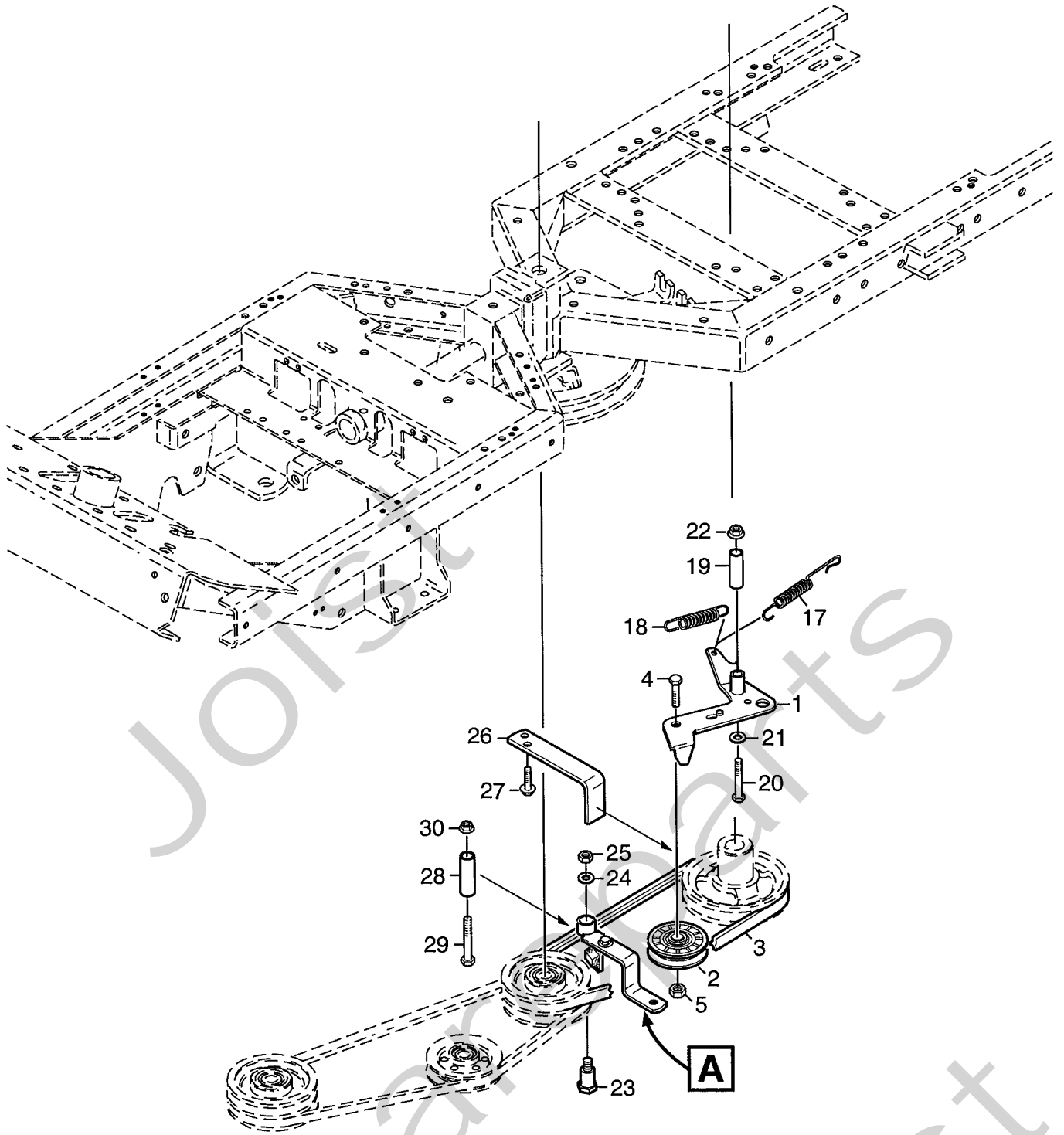
Utgåva Issue		Bildnr Picture No		PARK 2WD COMFORT- ROYAL- DIESEL HJUL 16"		PARK 2WD COMFORT- ROYAL- DIESEL WHEELS 16"		Sida Page	
2006- 11		1346A						126	
Pos. Fig.	Antal/Quantity			Art nr Part No	Benämning	Description	Sats Kit	Anmärkning Notes	
	6182	6183	6180						
1	2			1134-0075-01	Framaxeltapp	Front axle			
2	2			9595-0258-00	Spännstift	Locating pin			
3	2			1134-4844-05	Hjulnav kpl.	Wheel hub assy.			
3A	1			9501-0500-00	• Smörjnippel	• Grease joint			
4	1			1134-9026-01	• Lagerbussning	• Bearing bush kit		Sats 4 st/kit of 4	
5	2			1134-4558-01	Fälg	Rim			
6	2			9545-0116-00	Däck	Tyre		16 x 7.50 - 8	
7	2			9545-0500-00	Ventil	Valve			
8	6			9747-1031-02	Låsmutter	Lock nut			
9	6			9699-0035-02	Planbricka	Flat washer			
10	8			1134-0341-01	Bricka	Washer			
11	2			9599-0080-02	Saxsprint	Cotter pin			
12	2			1134-4844-02	Hjulnav	Wheel hub			
13	2			1134-4558-01	Fälg	Rim			
14	2			9545-0116-00	Däck	Tyre		16 x 7.50 - 8	
15	2			9545-0500-00	Ventil	Valve			
16	6			9747-1031-02	Låsmutter	Lock nut			
17	6			9699-0035-02	Planbricka	Flat washer			
18	2			1134-4796-01	Navkapsel	Hub cap			
19	2			9947-0540-19	Skruv	Screw			
20	2			1134-2471-01	Kil	Key			
21	2			9699-0042-02	Planbricka	Flat washer			
22	2			9653-0001-04	Spårryttare	Lock ring			
25	2			9598-0003-02	Låsnål	Spring pin			
26	2			9699-0042-02	Planbricka	Flat washer			
99				9545-0203-00	Innerslang	Inner tube		Reservdel/spare part	



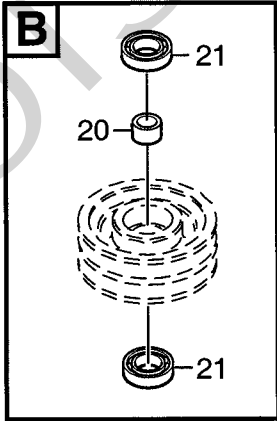
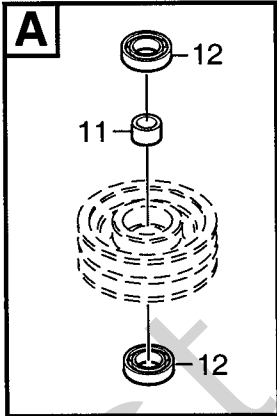
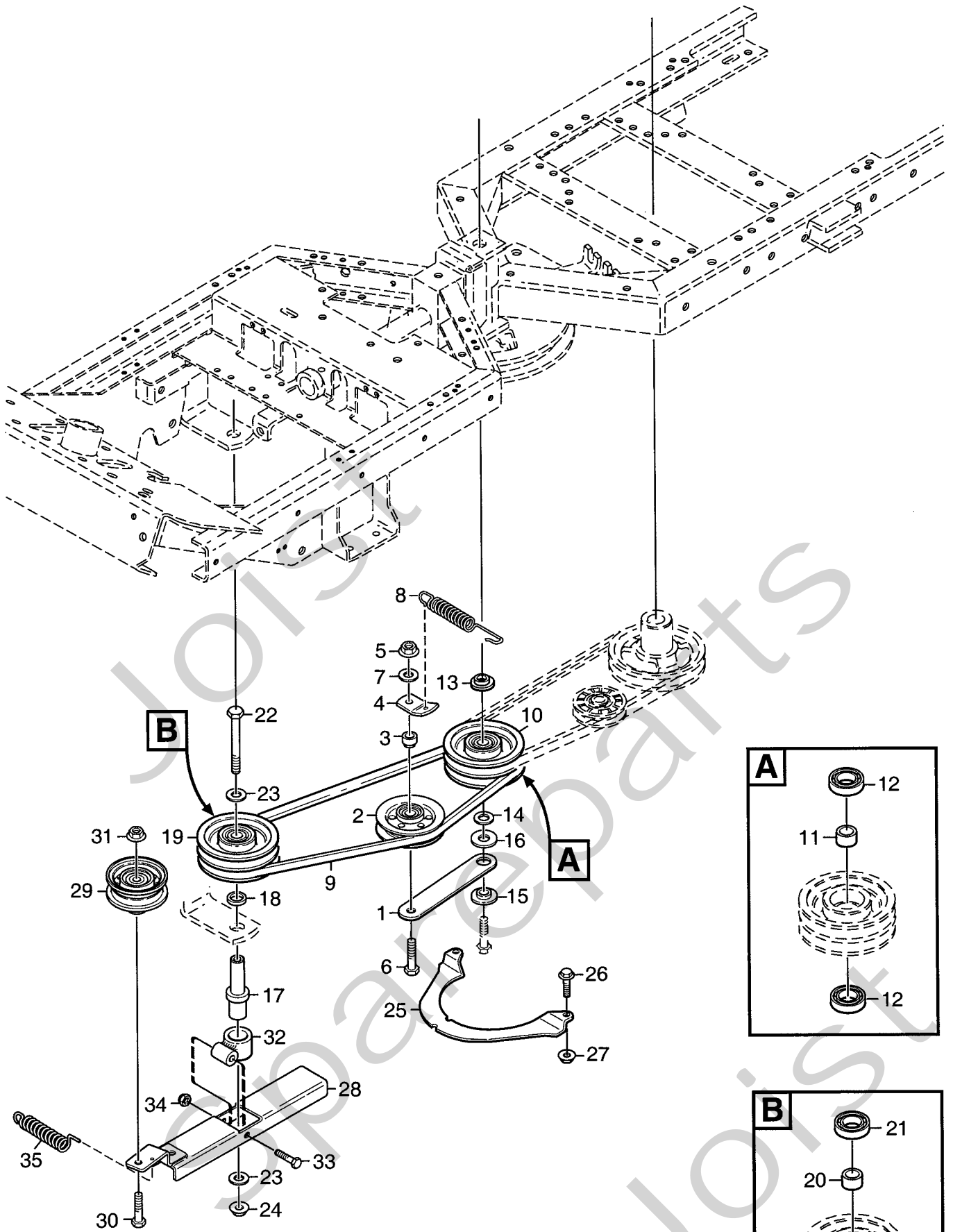
Utgåva Issue 2006-11		Bildnr Picture No 2029		PARK 4WD PRESTIGE- DIESEL HJUL 16"		PARK 4WD PRESTIGE- DIESEL WHEELS 16"		Sida Page 128	
Pos. Fig.	Antal/Quantity			Art nr Part No	Benämning	Description	Sats Kit	Anmärkning Notes	
	6185 6181								
1	2			1134-4844-03	Hjulnav	Wheel hub			
2	2			1134-3383-02	Kil	Key			
3	2			1134-4558-01	Fälg	Rim			
4	2			9545-0116-00	Däck	Tyre		16 x 7.50 - 8	
5	2			9545-0500-00	Ventil	Valve			
6	6			9747-1031-02	Låsmutter	Lock nut			
7	6			9699-0035-02	Planbricka	Flat washer			
9	4			1134-5797-01	Bricka	Washer			
10	2			9653-0002-04	Spärryttare	Lock ring			
21	2			1134-4844-02	Hjulnav	Wheel hub			
22	2			1134-2471-01	Kil	Key			
23	2			1134-4558-01	Fälg	Rim			
24	2			9545-0116-00	Däck	Tyre		16 x 7.50 - 8	
25	2			9545-0500-00	Ventil	Valve			
26	6			9747-1031-02	Låsmutter	Lock nut			
27	6			9699-0035-02	Planbricka	Flat washer			
29	2			9699-0042-02	Planbricka	Flat washer			
30	2			9653-0001-04	Spärryttare	Lock ring			
31	2			1134-4796-01	Navkapsel	Hub cap			
32	2			9947-0540-19	Skruv	Screw			
99				9545-0203-00	Innerslang	Inner tube		Reservdel/spare part	



Utgåva Issue		Bildnr Picture No		PARK 2WD COMFORT- ROYAL- DIESEL KRAFTUTTAG		PARK 2WD COMFORT- ROYAL- DIESEL POWER TAKE- OFF		Sida Page	
2006- 11		1030E						130	
Pos. Fig.	Antal/Quantity			Art nr Part No	Benämning	Description	Sats Kit	Anmärkning Notes	
	6182 6183	6180							
1	1	1		1134-5548-01	Distans	Spacer			
2	1	1		1134-5109-01	Spännhjularm	Tension wheel arm			
3	1	1		1134-1770-01	Spännrulle	Tension roller			
4	1	1		1134-1888-04	Distans	Spacer			
5	1	1		1134-5111-01	Fjäder	Spring			
6	1	1		9699-0056-02	Planbricka	Flat washer			
7	1	1		9739-0831-22	Mutter	Nut			
8	1	1		9997-0855-12	Skruv	Screw			
10	1	1		1134-1769-03	Centrumremskiva kpl.	Centre pulley assy			
11	1	1		1134-0051-09	• Distans	• Spacer			
12	2	2		9549-0019-00	• Kullager	• Ball bearing			
13	1	1		1134-5112-01	Fjäderfäste	Spring attachment			
14	2	2		9945-0816-16	Skruv	Screw			
15	1	1		1134-5110-01	Hake	Hook			
16	2	2		9893-0616-16	Skruv	Screw			
18	1	1		1134-2018-02	Spännarm	Tension arm			
19	1	1		1134-9027-01	Spännrulle	Tension roller			
20	1	1		1134-9071-01	Drivrem	V- belt		= 9585-0129-01	
21	1	1		9997-1030-16	Skruv	Screw			
22	1	1		9799-1031-02	Mutter	Nut			
23	1	1		1134-4111-01	Bromsarm	Brake arm			
24	1	1		1134-4164-03	Bromsklots	Brake pad			
25	1	1		9897-0825-16	Skruv	Screw			
26	1	1		9747-0831-02	Mutter	Lock nut			
27	1	1		1134-4162-01	Bromsstång	Brake rod			
28	1	1		9675-0008-02	Starlock	Locking washer			
29	1	1		1134-4170-01	Nippel	Nipple			
30	1	1		9699-0025-02	Planbricka	Washer			
31	1	1		9747-0631-02	Låsmutter	Lock nut			
32	1	1		4231-0013-00	Fjäder	Spring			
33	1	1		1134-4231-01	Dragfjäder	Spring			
34	1	1		1134-1565-10	Distans	Spacer			
35	1	1		9997-0865-12	Skruv	Screw			
36	1	1		9699-0056-02	Planbricka	Flat washer			
37	1	1		9739-0831-22	Mutter	Nut			
38	1	1		1134-4163-01	Ansatskruv	Shoulder bolt			
39	1	1		9747-1031-02	Låsmutter	Lock nut			
40	1			1134-3958-01	Remstyrning	Belt guide			
41	2			9893-0616-16	Skruv	Screw			
42	1	1		1134-0041-03	Hylsa	Collar			
43	1	1		9997-1070-12	Skruv	Screw			
44	1	1		9739-1031-22	Mutter	Nut			
45	1	1		1134-3654-01	Fingerskydd	Finger guard			
46	2	2		9959-0612-16	Skruv	Screw			
47	2	2		9739-0631-22	Mutter	Nut			
48	1	1		9699-0090-02	Planbricka	Flat washer			
49	2	2		9699-0035-02	Planbricka	Flat washer			
50	1	1		9699-0035-02	Planbricka	Flat washer			



Utgåva Issue		Bildnr Picture No		PARK 4WD PRESTIGE- DIESEL KRAFTUTTAG 1		PARK 4WD PRESTIGE- DIESEL POWER TAKE- OFF 1		Sida Page	
2006-11		2030						132	
Pos. Fig.	Antal/Quantity			Art nr Part No	Benämning	Description	Sats Kit	Anmärkning Notes	
	6185	6181							
1	1	1		1134-2018-02	Spännarm.....	Tension arm.....		= 9585-0129-01	
2	1	1		1134-9027-01	Spännrulle.....	Tension roller.....			
3	1	1		1134-9071-01	Drivrem.....	V-belt.....			
4	1	1		9997-1030-16	Skruv.....	Screw.....			
5	1	1		9799-1031-02	Mutter.....	Nut.....			
6	1	1		1134-4162-01	Bromsstång.....	Brake rod.....			
7	1	1		9675-0008-02	Starlock.....	Locking washer.....			
8	1	1		1134-4170-01	Nippel.....	Nipple.....			
9	1	1		1134-4111-01	Bromsarm.....	Brake arm.....			
10	1	1		1134-4164-03	Bromsklots.....	Brake pad.....			
11	2	2		9699-0035-02	Planbricka.....	Flat washer.....			
12	1	1		9897-0825-16	Skruv.....	Screw.....			
13	1	1		9747-0831-02	Mutter.....	Lock nut.....			
14	1	1		9699-0090-02	Planbricka.....	Flat washer.....			
15	1	1		9699-0025-02	Planbricka.....	Washer.....			
16	1	1		9747-0631-02	Låsmutter.....	Lock nut.....			
17	1	1		4231-0013-00	Fjäder.....	Spring.....			
18	1	1		1134-4231-01	Dragfjäder.....	Spring.....			
19	1	1		1134-1565-10	Distans.....	Spacer.....			
20	1	1		9997-0865-12	Skruv.....	Screw.....			
21	1	1		9699-0056-02	Planbricka.....	Flat washer.....			
22	1	1		9739-0831-22	Mutter.....	Nut.....			
23	1	1		1134-4163-01	Ansatsskruv.....	Shoulder bolt.....			
24	1	1		9699-0035-02	Planbricka.....	Flat washer.....			
25	1	1		9739-1031-22	Mutter.....	Nut.....			
26	1			1134-3958-01	Remstyrning.....	Belt guide.....			
27	2			9893-0616-16	Skruv.....	Screw.....			
28	1	1		1134-0041-03	Hylsa.....	Collar.....			
29	1	1		9997-1070-12	Skruv.....	Screw.....			
30	1	1		9739-1031-22	Mutter.....	Nut.....			



Utgåva Issue 2006-11		Bildnr Picture No 2031		PARK 4WD PRESTIGE- DIESEL KRAFTUTTAG 2		PARK 4WD PRESTIGE- DIESEL POWER TAKE-OFF 2		Sida Page 134	
Pos. Fig.	Antal/Quantity			Art nr Part No.	Benämning	Description	Sats Kit	Anmärkning Notes	
	6185 6181								
1	1			1134-1730-01	Spännhjulssarm	Tension wheel arm			
2	1			1134-3663-01	Spännrulle	Tension wheel			
3	1			1134-1888-05	Distans	Spacer			
4	1			1134-1893-01	Fjäderfäste	Spring attachment			
5	1			9739-1031-22	Mutter	Nut			
6	1			9997-1060-12	Skruv	Screw			
7	1			9699-0035-02	Planbricka	Flat washer			
8	1			1134-5713-01	Dragfjäder	Spring			
9	1			1134-9098-01	Drivrem	V-belt			
10	1			1134-1769-03	Centrumremskiva kpl.	Centre pulley assy			
11	1			1134-0051-09	• Distans	• Spacer			
12	2			9549-0019-00	• Kullager	• Ball bearing			
13	1			1134-5548-01	Distans	Spacer			
14	1			9699-0035-02	Planbricka	Flat washer			
15	1			1134-0222-00	Bricka	Washer			
16	1			9699-0109-02	Planbricka	Flat washer			
17	1			1134-5663-01	Axel	Shaft			
18	1			1134-0052-00	Lagerdistans	Bearing spacer			
19	1			1134-1769-03	Centrumremskiva kpl.	Centre pulley assy			
20	1			1134-0051-09	• Distans	• Spacer			
21	2			9549-0019-00	• Kullager	• Ball bearing			
22	1			9997-1011-06	Skruv	Screw			
23	2			9699-0030-02	Planbricka	Flat washer			
24	1			9739-1031-22	Mutter	Nut			
25	1			1134-3654-01	Fingerskydd	Finger guard			
26	2			9959-0612-16	Skruv	Screw			
27	2			9739-0631-22	Mutter	Nut			
28	1			1134-5660-01	Spännarm	Tension arm			
29	1			1134-5823-01	Spännrulle	Tension roller			
30	1			9997-1050-16	Skruv	Screw			
31	1			9739-1031-22	Mutter	Nut			
32	1			1134-5232-01	Spännarmsfäste	Attachment			
33	1			9997-0645-12	Skruv	Screw			
34	1			9747-0631-02	Låsmutter	Lock nut			
35	1			1134-5824-01	Fjäder	Spring			

= 9585-0148-01