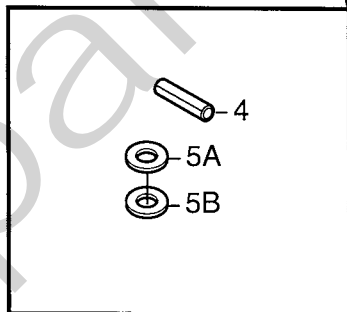
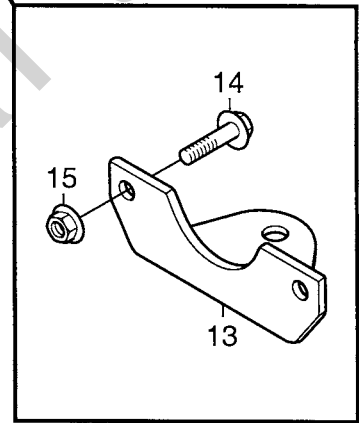
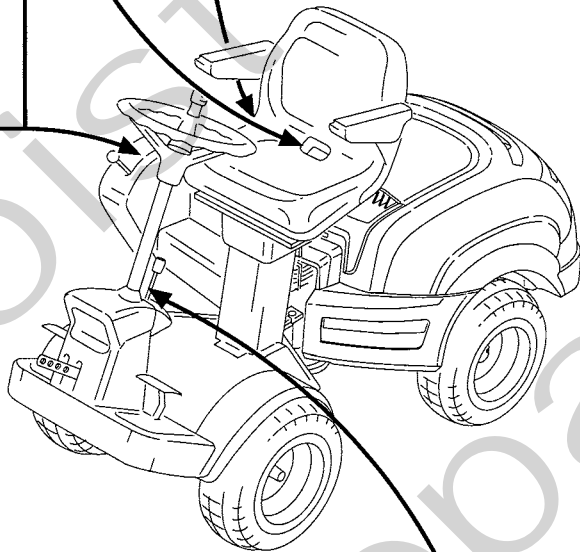
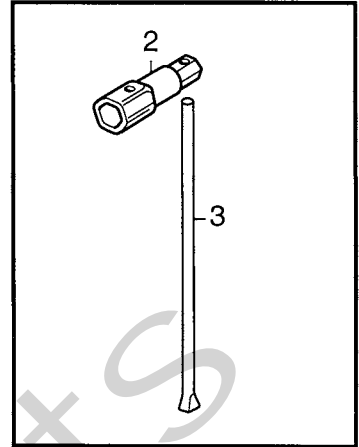
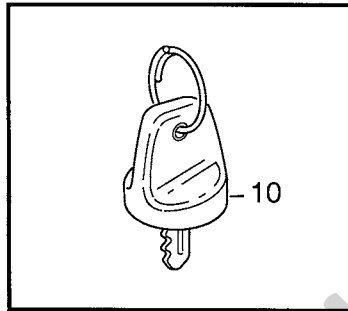
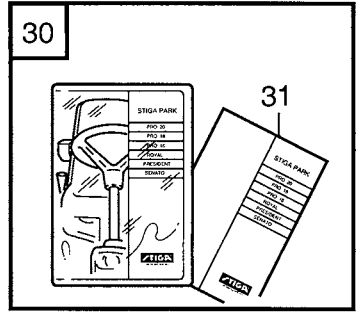
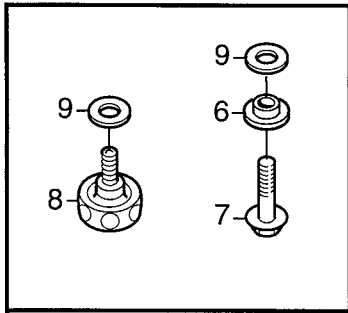
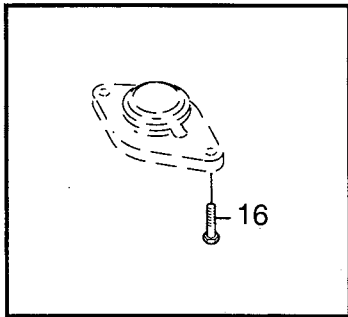


# Genuine Spare Parts

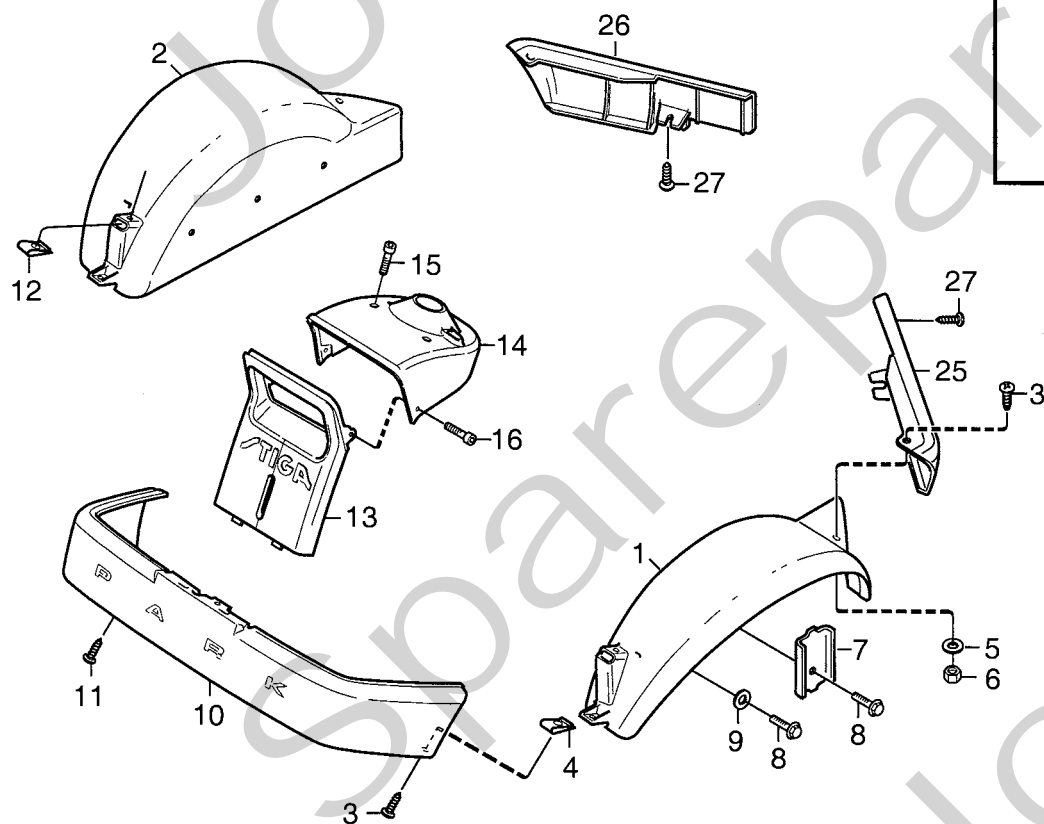
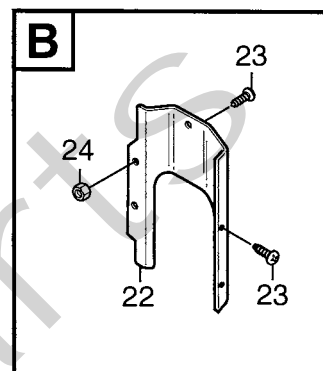
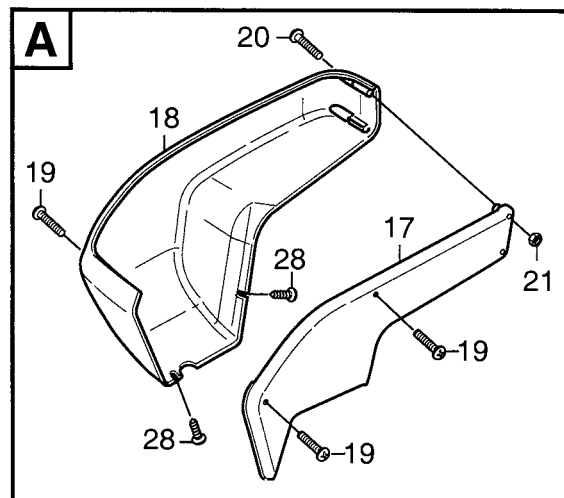
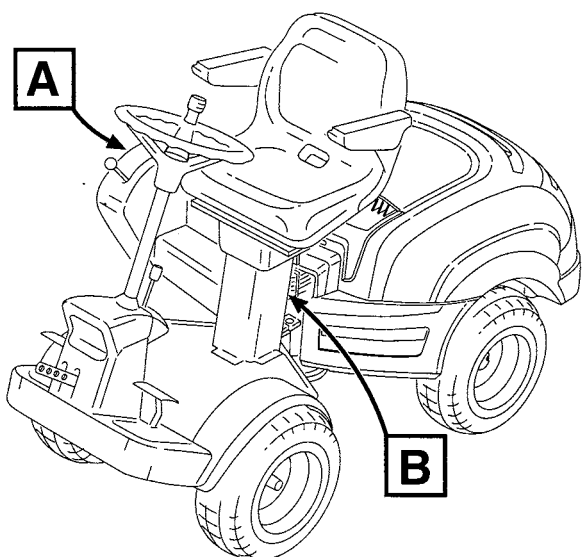
---



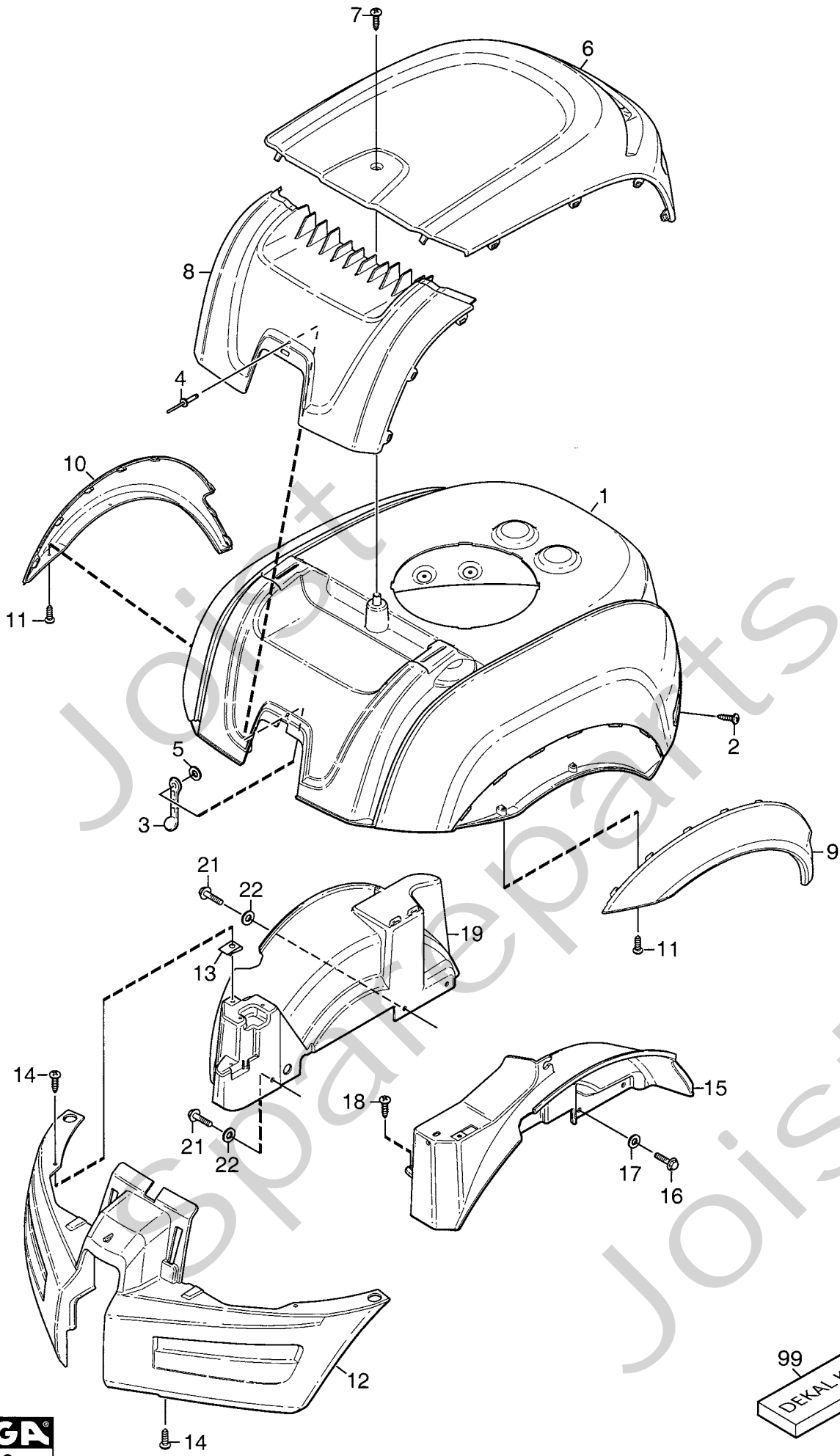
Joist  
Spareparts  
Joist



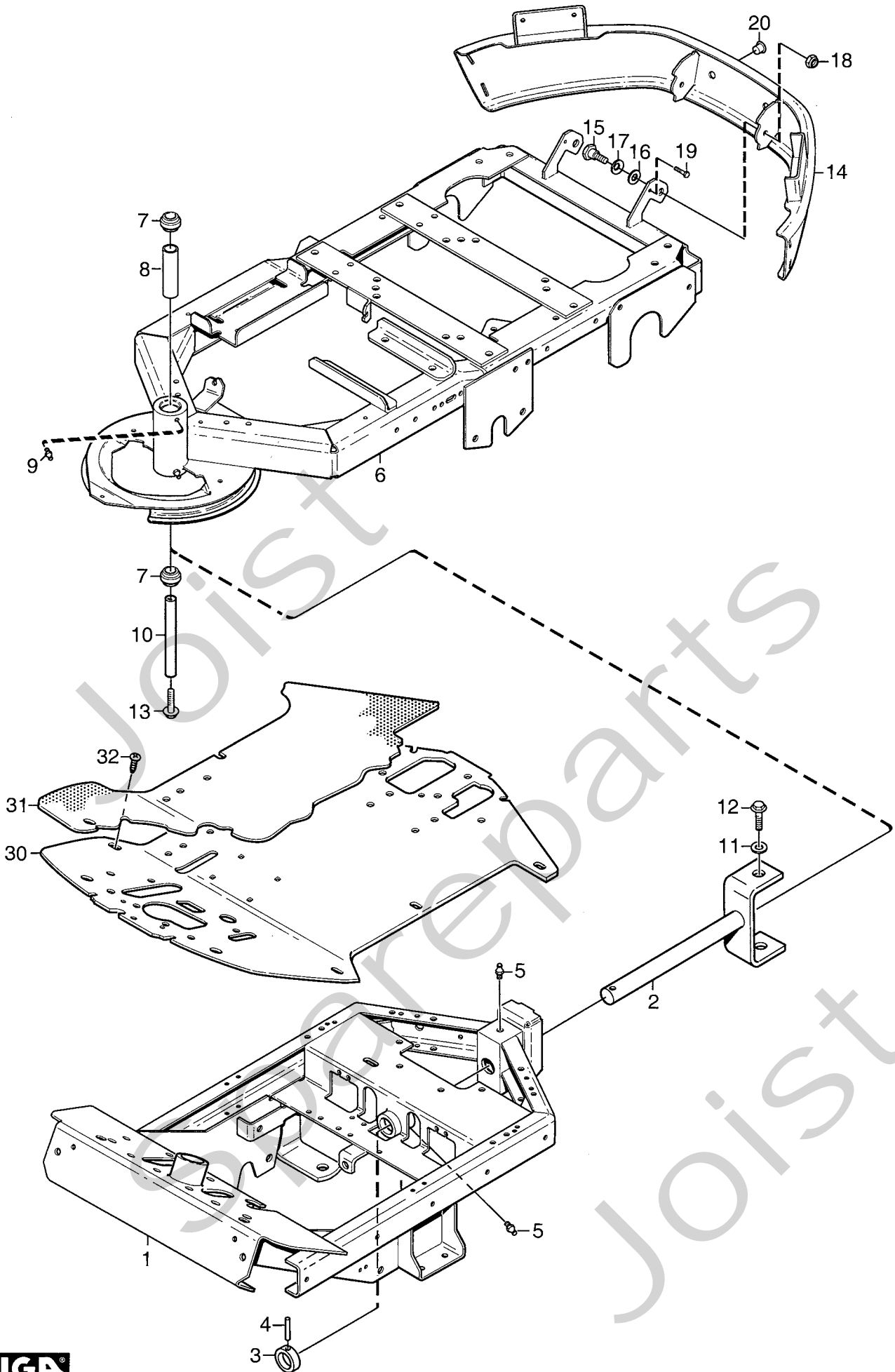
| Utgåva<br>Issue |                | Bildnr<br>Picture No |      | PARK 4WD<br>MONTERINGSDETALJER |                   | PARK 4WD<br>ASSEMBLY PARTS    |                              | Sida<br>Page |                     |
|-----------------|----------------|----------------------|------|--------------------------------|-------------------|-------------------------------|------------------------------|--------------|---------------------|
| 2005-11         |                | 1788                 |      |                                |                   |                               |                              | 90           |                     |
| Pos.<br>Fig.    | Antal/Quantity |                      |      |                                | Art nr<br>Part No | Benämning                     | Description                  | Sats<br>Kit  | Anmärkning<br>Notes |
|                 | 6125           | 6241                 | 6244 | 6246                           |                   |                               |                              |              |                     |
| X               | 0              | 1                    |      |                                | 1134-4249-07      | Monteringsdetaljer.....       | Assembly parts .....         |              |                     |
|                 | 2              | 1                    |      |                                | 1134-4541-01      | • Tändstiftshylsa .....       | • Spark plug wrench .....    |              | 5/8" (16 mm)/21 mm  |
|                 | 3              | 1                    |      |                                | 1111-2113-01      | • Vridpinne .....             | • Rod .....                  |              |                     |
|                 | 4              | 1                    |      |                                | 9595-0262-00      | • Spännstift .....            | • Locating pin .....         |              |                     |
|                 | 5 A            | 1                    |      |                                | 9699-0103-02      | • Shims .....                 | • Flat washer .....          |              | 0.5 mm              |
|                 | 5 B            | 1                    |      |                                | 9699-0114-02      | • Shims .....                 | • Flat washer .....          |              | 1.0 mm              |
|                 | 6              | 2                    |      |                                | 1134-4185-01      | • Ansatsbricka .....          | • Flange washer .....        |              |                     |
|                 | 7              | 2                    |      |                                | 9959-0820-16      | • Skruv .....                 | • Screw .....                |              |                     |
|                 | 8              | 2                    |      |                                | 1134-2609-01      | • Ratt .....                  | • Knob .....                 |              |                     |
|                 | 9              | 4                    |      |                                | 9699-0056-02      | • Planbricka .....            | • Flat washer .....          |              |                     |
|                 | 10             | 2                    |      |                                | 1134-4734-01      | • Tändningsnyckel.....        | • Ignition key .....         |              |                     |
|                 | 13             | 1                    |      |                                | 1134-5512-01      | • Dragplåt .....              | • Towing plate .....         |              |                     |
|                 | 14             | 2                    |      |                                | 9959-0820-16      | • Skruv .....                 | • Screw .....                |              |                     |
|                 | 15             | 2                    |      |                                | 9739-0831-22      | • Mutter .....                | • Nut .....                  |              |                     |
|                 | 16             | 2                    |      |                                | 9837-8914-12      | • Skruv .....                 | • Screw .....                |              |                     |
| X               | 30             | 1                    |      |                                | 1134-3771-78      | Mapp m. trycksaker .....      | Folder w. manuals .....      |              |                     |
| X               | 31             | 1                    |      |                                | 8211-0209-12      | • Säkerhetsföreskrifter ..... | • Safety regulations .....   |              |                     |
| X               | 31             | 1                    |      |                                | 8211-0321-08      | • EG- försäkran .....         | • Certificate .....          |              |                     |
| X               | 31             | 1                    |      |                                | 8211-0540-01      | • Bruksanvisning .....        | • Owner's manual .....       |              |                     |
| X               | 31             | 1                    |      |                                | 8211-0541-01      | • Monteringsanvisning .....   | • Assembly instruction ..... |              |                     |
| X               | 31             | 1                    |      |                                | 8211-0544-01      | • Servicebok .....            | • Service book .....         |              |                     |
| X               | 31             | 1                    |      |                                | 8211-0545-01      | • Bruksanvisning .....        | • Owner's manual .....       |              |                     |
|                 | 31             | 1                    |      |                                | 8211-2002-03      | • Garantikort.....            | • Warranty card .....        |              |                     |



| Utgåva<br>Issue |                | Bildnr<br>Picture No |   | PARK 4WD<br>KAROSS- FRAM |                            | PARK 4WD<br>BODY WORK- FRONT |             | Sida<br>Page        |  |
|-----------------|----------------|----------------------|---|--------------------------|----------------------------|------------------------------|-------------|---------------------|--|
| 2005- 11        |                | 1789                 |   |                          |                            |                              |             | 92                  |  |
| Pos.<br>Fig.    | Antal/Quantity |                      |   | Art nr<br>Part No        | Benämning                  | Description                  | Sats<br>Kit | Anmärkning<br>Notes |  |
|                 | 6125           | 6241<br>6244<br>6246 |   |                          |                            |                              |             |                     |  |
| X               | 1              | 1                    |   | 1134-3943-01             | Skärm- vä, gul .....       | Mud guard- LH, yell.....     |             |                     |  |
|                 | 1              | 1                    |   | 1134-3943-11             | Skärm- vä, grå .....       | Mud guard- LH, grey .....    |             |                     |  |
|                 | 2              | 1                    |   | 1134-3943-02             | Skärm- hö, gul .....       | Mud guard- RH, yell. ....    |             |                     |  |
| X               | 2              | 1                    |   | 1134-3943-12             | Skärm- hö, grå .....       | Mud guard- RH- grey.....     |             |                     |  |
|                 | 3              | 4                    | 4 | 9893-0616-16             | Skruv .....                | Screw .....                  |             |                     |  |
|                 | 4              | 2                    | 2 | 1134-4176-01             | Clips .....                | Clips .....                  |             |                     |  |
|                 | 5              | 2                    | 2 | 9699-0025-02             | Planbricka.....            | Washer.....                  |             |                     |  |
|                 | 6              | 2                    | 2 | 9747-0631-02             | Låsmutter .....            | Lock nut.....                |             |                     |  |
|                 | 7              | 2                    | 2 | 1134-0225-00             | Stödplåt.....              | Support plate .....          |             |                     |  |
|                 | 8              | 6                    | 6 | 9945-0816-16             | Skruv .....                | Screw .....                  |             |                     |  |
|                 | 9              | 4                    | 4 | 9699-0056-02             | Planbricka.....            | Flat washer.....             |             |                     |  |
|                 | 10             | 1                    | 1 | 1134-4220-02             | Stötfångare- grå.....      | Bumper- grey .....           |             |                     |  |
|                 | 11             | 6                    | 6 | 9893-0616-16             | Skruv .....                | Screw .....                  |             |                     |  |
|                 | 12             | 2                    | 2 | 1134-4176-01             | Clips .....                | Clips.....                   |             |                     |  |
| X               | 13             | 1                    | 1 | 1134-4216-05             | Frontdekor- gul .....      | Front plate- yellow.....     |             |                     |  |
| X               | 14             | 1                    | 1 | 1134-3984-03             | Frontdekor övre- gul ..... | Front plate upper- yel ..... |             |                     |  |
|                 | 15             | 2                    | 2 | 9946-0525-16             | Skruv .....                | Screw .....                  |             |                     |  |
|                 | 16             | 2                    | 2 | 9840-8019-16             | Skruv .....                | Screw .....                  |             |                     |  |
|                 | 17             | 1                    | 1 | 1134-4360-01             | Kåpa- inre .....           | Cover- inner .....           |             |                     |  |
|                 | 18             | 1                    | 1 | 1134-3979-01             | Kåpa- yttre .....          | Cover- outer .....           |             |                     |  |
|                 | 19             | 3                    | 3 | 9946-0525-16             | Skruv .....                | Screw .....                  |             |                     |  |
|                 | 20             | 2                    | 2 | 9950-0570-12             | Skruv .....                | Screw .....                  |             |                     |  |
|                 | 21             | 2                    | 2 | 9747-0531-02             | Mutter.....                | Nut.....                     |             |                     |  |
| X               | 22             | 1                    | 1 | 1134-5694-01             | Bakstycke .....            | Rear plate.....              |             |                     |  |
|                 | 23             | 4                    | 4 | 9893-0616-16             | Skruv .....                | Screw .....                  |             |                     |  |
|                 | 24             | 2                    | 2 | 9739-0631-22             | Mutter.....                | Nut.....                     |             |                     |  |
|                 | 25             | 1                    | 1 | 1134-3970-05             | Kantlist- vä, grå.....     | Moulding- LH, grey .....     |             |                     |  |
|                 | 26             | 1                    | 1 | 1134-3970-02             | Kantlist- hö, grå.....     | Moulding- RH, grey.....      |             |                     |  |
|                 | 27             | 4                    | 4 | 9893-0616-16             | Skruv .....                | Screw .....                  |             |                     |  |
|                 | 28             | 2                    | 2 | 9840-8019-16             | Skruv .....                | Screw .....                  |             |                     |  |

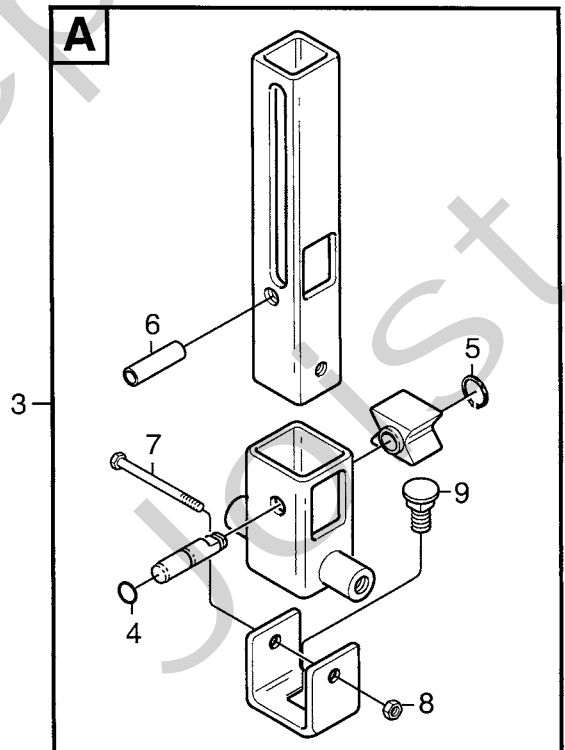
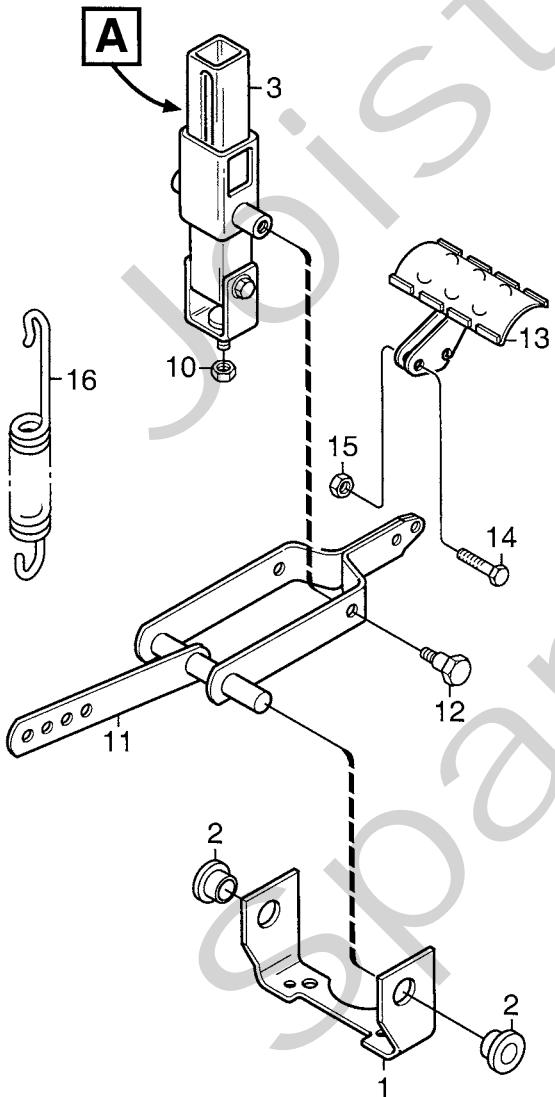
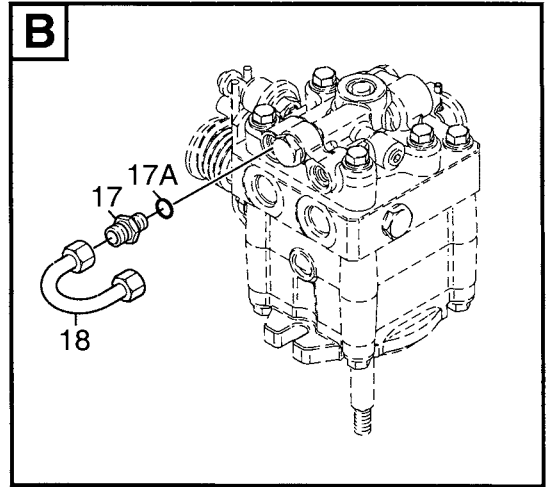
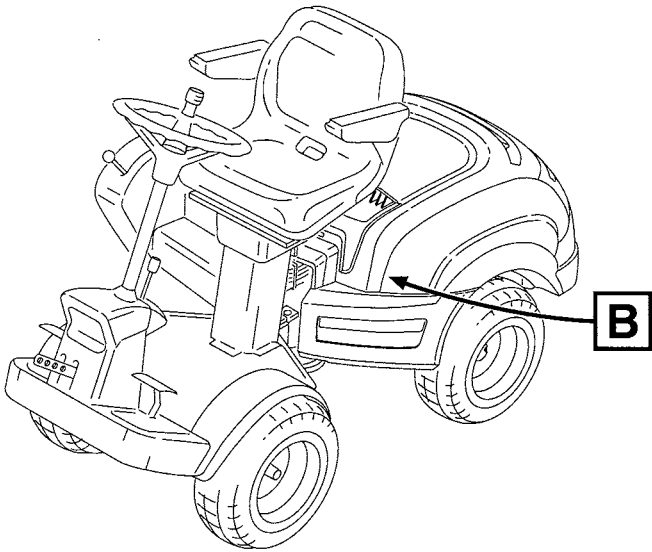


| Utgåva<br>Issue |                | Bildnr<br>Picture No |      | PARK 4WD<br>KAROSS- BAK |                   | PARK 4WD<br>BODY WORK- REAR |                           | Sida<br>Page |                     |
|-----------------|----------------|----------------------|------|-------------------------|-------------------|-----------------------------|---------------------------|--------------|---------------------|
| 2005- 11        |                | 1790                 |      |                         |                   |                             |                           | 94           |                     |
| Pos.<br>Fig.    | Antal/Quantity |                      |      |                         | Art nr<br>Part No | Benämning                   | Description               | Sats<br>Kit  | Anmärkning<br>Notes |
|                 | 6125           | 6241                 | 6244 | 6246                    |                   |                             |                           |              |                     |
| X               | 1              | 1                    | 1    | 1                       | 1134-5634-01      | Motorhuv.....               | Engine hood.....          |              |                     |
|                 | 2              | 4                    | 4    | 4                       | 9893-0616-16      | Skruv.....                  | Screw.....                |              |                     |
|                 | 3              | 1                    | 1    | 1                       | 1134-9028-01      | Gummistropp- sats.....      | Rubber strap kit.....     |              | Sats 3 st/kit if 3  |
|                 | 4              | 1                    | 1    | 1                       | 9632-0513-00      | Popnit.....                 | Pop rivet.....            |              |                     |
|                 | 5              | 1                    | 1    | 1                       | 9699-0120-02      | Bricka.....                 | Washer.....               |              |                     |
| X               | 6              | 1                    | 1    | 1                       | 1134-5636-01      | Motorlucka.....             | Engine cover.....         |              |                     |
|                 | 7              | 1                    | 1    | 1                       | 9838-9516-12      | Skruv.....                  | Screw.....                |              |                     |
| X               | 8              | 1                    | 1    | 1                       | 1134-5635-01      | Frontlucka.....             | Engine front cover.....   |              |                     |
| X               | 9              | 1                    | 1    | 1                       | 1134-5638-01      | Skärmbreddare- vä.....      | Wheel arch liner- LH..... |              |                     |
| X               | 10             | 1                    | 1    | 1                       | 1134-5638-02      | Skärmbreddare- hö.....      | Wheel arch liner- RH..... |              |                     |
|                 | 11             | 4                    | 4    | 4                       | 9838-9516-12      | Skruv.....                  | Screw.....                |              |                     |
| X               | 12             | 1                    | 1    | 1                       | 1134-5637-01      | Spoiler.....                | Spoiler.....              |              |                     |
|                 | 13             | 2                    | 2    | 2                       | 1134-4176-01      | Clips.....                  | Clips.....                |              |                     |
|                 | 14             | 4                    | 4    | 4                       | 9893-0616-16      | Skruv.....                  | Screw.....                |              |                     |
| X               | 15             | 1                    | 1    | 1                       | 1134-5647-01      | Innerskärm- vä.....         | Inner fender- LH.....     |              |                     |
|                 | 16             | 3                    | 3    | 3                       | 9945-0816-16      | Skruv.....                  | Screw.....                |              |                     |
|                 | 17             | 3                    | 3    | 3                       | 9699-0056-02      | Planbricka.....             | Flat washer.....          |              |                     |
|                 | 18             | 1                    | 1    | 1                       | 9893-0616-16      | Skruv.....                  | Screw.....                |              |                     |
| X               | 19             | 1                    | 1    | 1                       | 1134-5647-02      | Innerskärm- hö.....         | Inner fender- RH.....     |              |                     |
|                 | 21             | 3                    | 3    | 3                       | 9945-0816-16      | Skruv.....                  | Screw.....                |              |                     |
|                 | 22             | 3                    | 3    | 3                       | 9699-0056-02      | Planbricka.....             | Flat washer.....          |              |                     |
| X               | 99             | 1                    |      |                         | 1134-4593-10      | Dekalsats.....              | Label kit.....            |              | Prestige            |
| X               | 99             |                      | 1    |                         | 1134-4593-11      | Dekalsats.....              | Label kit.....            |              | Pro 16              |
| X               | 99             |                      |      | 1                       | 1134-4593-12      | Dekalsats.....              | Label kit.....            |              | Pro 20              |
| X               | 99             |                      |      | 1                       | 1134-4593-13      | Dekalsats.....              | Label kit.....            |              | Pro 25              |

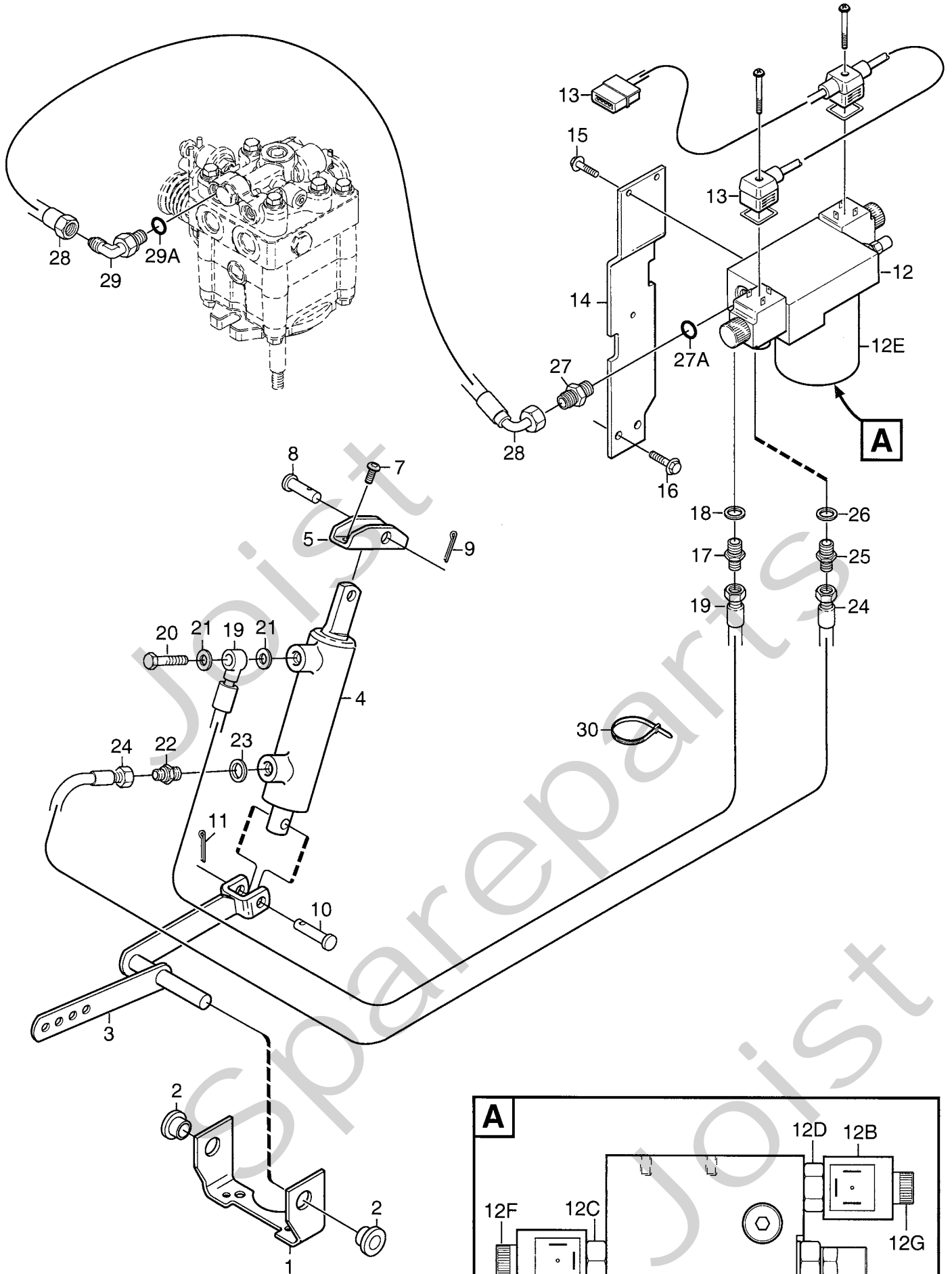




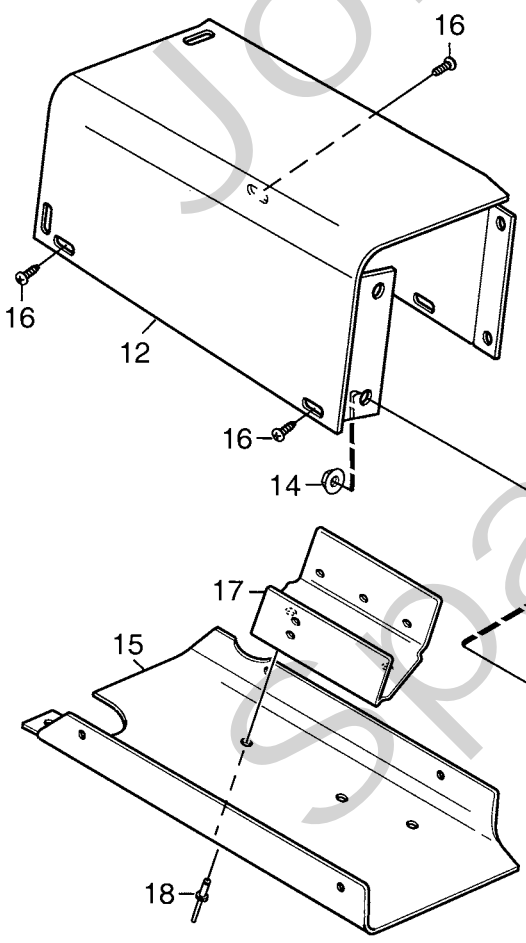
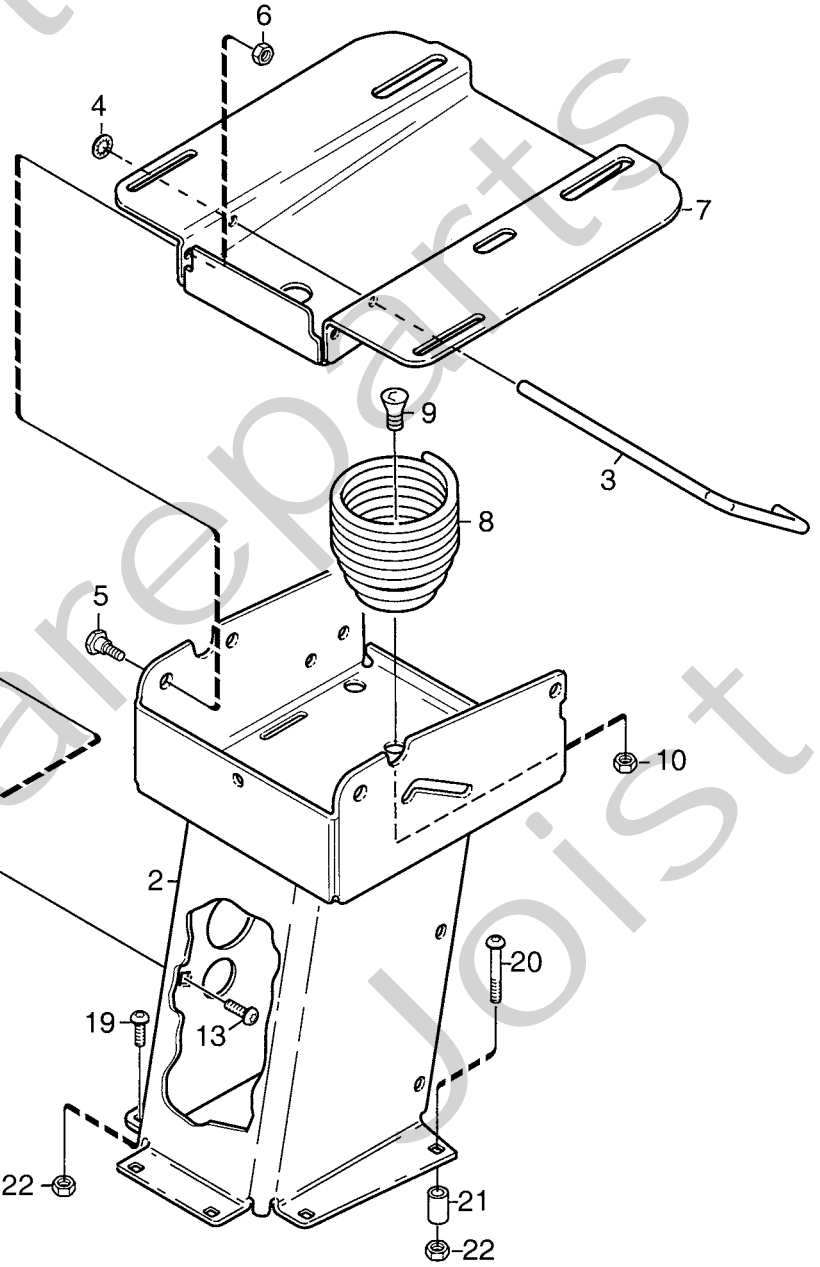
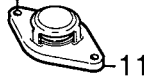
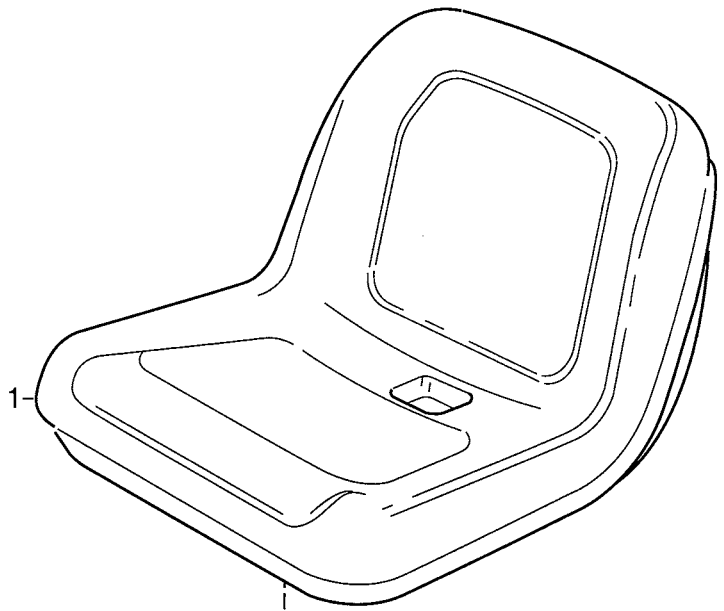
| Utgåva<br>Issue |                | Bildnr<br>Picture No |      | PARK 4WD<br>RAM |                   | PARK 4WD<br>FRAME          |                             | Sida<br>Page |                     |
|-----------------|----------------|----------------------|------|-----------------|-------------------|----------------------------|-----------------------------|--------------|---------------------|
| 2005-11         |                | 1791                 |      |                 |                   |                            |                             | 96           |                     |
| Pos.<br>Fig.    | Antal/Quantity |                      |      |                 | Art nr<br>Part No | Benämning                  | Description                 | Sats<br>Kit  | Anmärkning<br>Notes |
|                 | 6125           | 6241                 | 6244 | 6246            |                   |                            |                             |              |                     |
| X               | 1              | 1                    |      |                 | 1134-5656-01      | Ram-främre .....           | Frame-front .....           |              |                     |
|                 | 2              | 1                    |      |                 | 1134-3963-02      | • Midjegaffel .....        | • Clevis .....              |              |                     |
|                 | 3              | 1                    |      |                 | 1134-0031-00      | • Ledaxelstopp .....       | • Pivot shaft stop .....    |              |                     |
|                 | 4              | 1                    |      |                 | 9595-0262-00      | • Spännstift .....         | • Locating pin .....        |              |                     |
|                 | 5              | 2                    |      |                 | 9501-0500-00      | • Smörjnippel .....        | • Grease joint .....        |              |                     |
| X               | 6              | 1                    |      |                 | 1134-5953-01      | Ram-bakre .....            | Frame-rear .....            |              |                     |
|                 | 7              | 2                    |      |                 | 9547-0001-00      | • Ledlager .....           | • Bearing .....             |              |                     |
| X               | 8              | 1                    |      |                 | 1134-5705-01      | • Distans .....            | • Spacer .....              |              |                     |
|                 | 9              | 2                    |      |                 | 9501-0500-00      | • Smörjnippel .....        | • Grease joint .....        |              |                     |
| X               | 10             | 1                    |      |                 | 1134-3968-03      | Centrumaxel (185 mm) ..... | Centre shaft (185 mm) ..... |              |                     |
|                 | 11             | 1                    |      |                 | 9699-0035-02      | Planbricka .....           | Flat washer .....           |              |                     |
|                 | 12             | 1                    |      |                 | 9959-1020-16      | Skruv .....                | Screw .....                 |              |                     |
|                 | 13             | 1                    |      |                 | 9959-1025-16      | Skruv .....                | Screw .....                 |              |                     |
| X               | 14             | 1                    |      |                 | 1134-5676-01      | Stötfångare .....          | Bumper .....                |              |                     |
|                 | 15             | 2                    |      |                 | 1134-0240-00      | Ansattsskruv .....         | Shoulder screw .....        |              |                     |
|                 | 16             | 2                    |      |                 | 1134-4242-01      | Distansbricka .....        | Spacer washer .....         |              |                     |
|                 | 17             | 2                    |      |                 | 9665-0002-00      | Brickfjäder .....          | Bowed washer .....          |              |                     |
|                 | 18             | 2                    |      |                 | 9747-0831-02      | Mutter .....               | Lock nut .....              |              |                     |
|                 | 19             | 2                    |      |                 | 9943-0516-16      | Skruv .....                | Screw .....                 |              |                     |
|                 | 20             | 2                    |      |                 | 1134-4100-01      | Täckpropp .....            | Plug .....                  |              |                     |
|                 | 30             | 1                    |      |                 | 1134-5294-01      | Durk .....                 | Floor plate .....           |              |                     |
| X               | 31             | 1                    |      |                 | 1134-5514-03      | Durkmatta .....            | Floor mat .....             |              |                     |
|                 | 32             | 2                    |      |                 | 9893-0616-16      | Skruv .....                | Screw .....                 |              |                     |



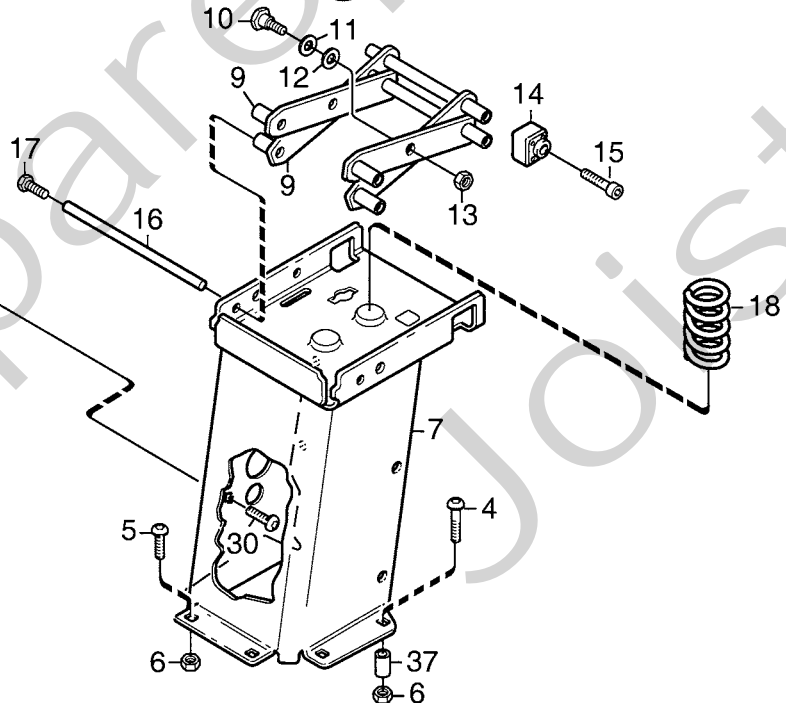
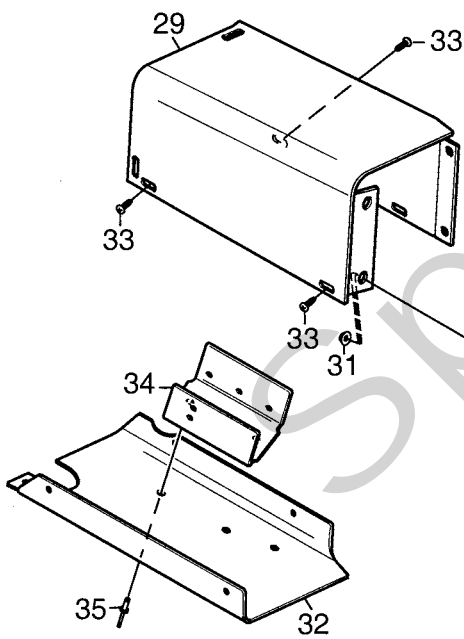
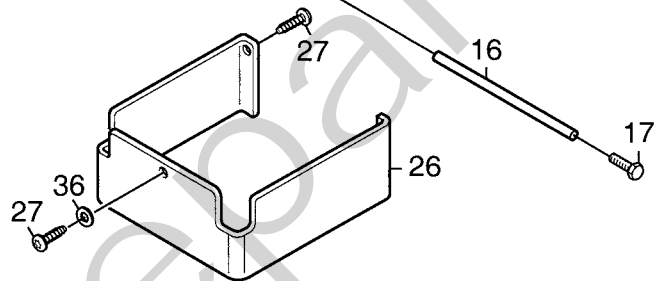
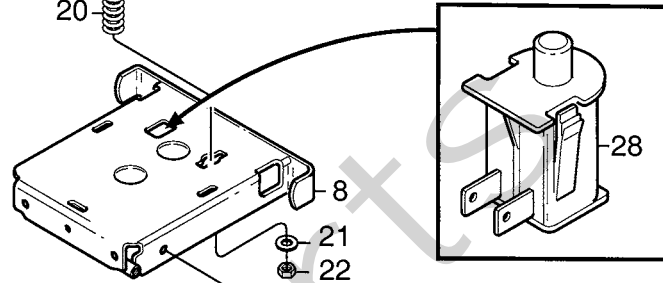
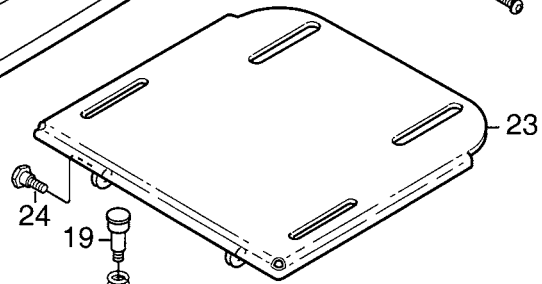
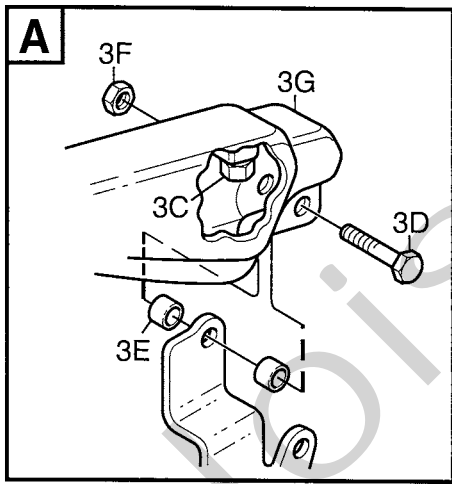
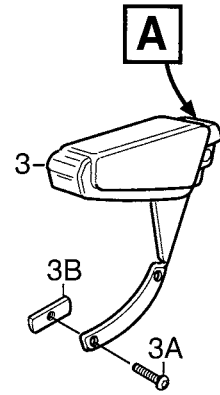
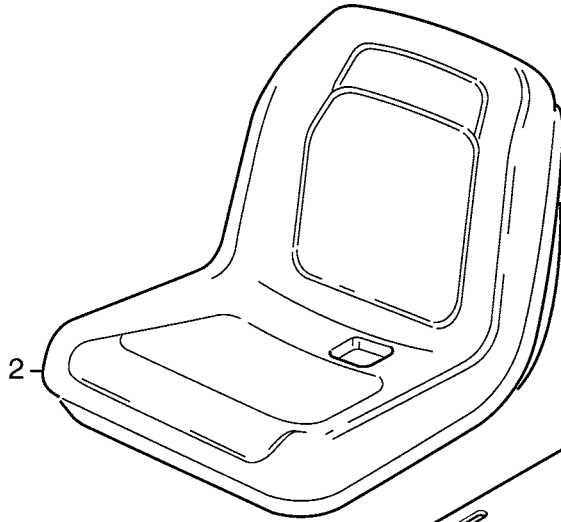
| Utgåva<br>Issue |                | Bildnr<br>Picture No |  | PARK 4WD<br>PRESTIGE- PRO 16<br>PEDALLYFT |                         | PARK 4WD<br>PRESTIGE- PRO 16<br>PEDAL LIFT |             | Sida<br>Page        |  |
|-----------------|----------------|----------------------|--|---|-------------------------|--|-------------|---------------------|--|
| 2005- 11        |                | 1792                 |  |   |                         |  |             | 98                  |  |
| Pos.<br>Fig.    | Antal/Quantity |                      |  | Art nr<br>Part No                         | Benämning               | Description                                | Sats<br>Kit | Anmärkning<br>Notes |  |
|                 | 6125<br>6241   |                      |  |   |                         |  |             |                     |  |
| 1               | 1              |                      |  | 1134-4117-01                              | Fäste .....             | Bracket .....                              |             |                     |  |
| 2               | 2              |                      |  | 1134-2684-01                              | Lager .....             | Bearing .....                              |             |                     |  |
| 3               | 1              |                      |  | 1134-4945-01                              | Lyftspärr kpl .....     | Lift catch assy .....                      |             |                     |  |
| 4               | 1              |                      |  | 9404-0027-01                              | • O-ring .....          | • O-ring .....                             |             |                     |  |
| 5               | 1              |                      |  | 9650-0039-04                              | • Seegersäkring .....   | • Lock ring .....                          |             |                     |  |
| 6               | 1              |                      |  | 9595-0276-01                              | • Spännstift .....      | • Locating pin .....                       |             |                     |  |
| 7               | 1              |                      |  | 9997-0640-12                              | • Skruv .....           | • Screw .....                              |             |                     |  |
| 8               | 1              |                      |  | 9747-0631-02                              | • Låsmutter .....       | • Lock nut .....                           |             |                     |  |
| 9               | 1              |                      |  | 9897-0820-16                              | • Skruv .....           | • Screw .....                              |             |                     |  |
| 10              | 1              |                      |  | 9747-0831-02                              | Mutter .....            | Lock nut .....                             |             |                     |  |
| 11              | 1              |                      |  | 1134-4860-01                              | Lyftgaffel .....        | Lift fork .....                            |             |                     |  |
| 12              | 2              |                      |  | 1134-0240-00                              | Ansattsskruv .....      | Shoulder screw .....                       |             |                     |  |
| 13              | 1              |                      |  | 1134-4938-01                              | Lyftpedal .....         | Lift pedal .....                           |             |                     |  |
| 14              | 2              |                      |  | 9997-0625-16                              | Skruv .....             | Screw .....                                |             |                     |  |
| 15              | 2              |                      |  | 9739-0631-22                              | Mutter .....            | Nut .....                                  |             |                     |  |
| 16              | 1              |                      |  | 4231-0013-00                              | Fjäder .....            | Spring .....                               |             |                     |  |
| X 17            | 2              |                      |  | 1134-5820-01                              | Skärringskoppling ..... | Hydraulic coupling .....                   |             |                     |  |
| 17A             | 1              |                      |  | 9404-0028-01                              | • O-ring .....          | • O-ring .....                             |             |                     |  |
| X 18            | 1              |                      |  | 1134-5817-01                              | Hydraulrör .....        | Hydraulic tube .....                       |             |                     |  |



| Utgåva<br>Issue<br>2005- 11 |                | Bildnr<br>Picture No<br>1793 |  | PARK 4WD<br>PRO 20- PRO 25<br>HYDRAULLYFT |                          | PARK 4WD<br>PRO 20- PRO 25<br>HYDRAULIC LIFT |             | Sida<br>Page<br>100 |  |
|-----------------------------|----------------|------------------------------|--|---|--------------------------|--|-------------|---------------------|--|
| Pos.<br>Fig.                | Antal/Quantity |                              |  | Art nr<br>Part No                         | Benämning                | Description                                  | Sats<br>Kit | Anmärkning<br>Notes |  |
|                             | 6244<br>6246   |                              |  |   |                          |  |             |                     |  |
| X                           | 1              | 1                            |  | 1134-4117-01                              | Fäste .....              | Bracket .....                                |             |                     |  |
|                             | 2              | 2                            |  | 1134-2684-01                              | Lager .....              | Bearing .....                                |             |                     |  |
|                             | 3              | 1                            |  | 1134-4812-01                              | Lyftarm .....            | Lift arm .....                               |             |                     |  |
|                             | 4              | 1                            |  | 1134-5596-01                              | Hydraulcylinder .....    | Hydraulic cylinder .....                     |             |                     |  |
|                             | 5              | 1                            |  | 1134-4815-01                              | Cylinderfäste .....      | Cylinder bracket .....                       |             |                     |  |
|                             | 7              | 2                            |  | 9893-0616-16                              | Skruv .....              | Screw .....                                  |             |                     |  |
|                             | 8              | 1                            |  | 1134-4816-01                              | Sprint .....             | Pin .....                                    |             |                     |  |
|                             | 9              | 1                            |  | 9599-0054-02                              | Saxpinne .....           | Cotter pin .....                             |             |                     |  |
|                             | 10             | 1                            |  | 1134-4817-01                              | Kolvstångssprint .....   | Pin .....                                    |             |                     |  |
| X                           | 11             | 1                            |  | 9599-0054-02                              | Saxpinne .....           | Cotter pin .....                             |             |                     |  |
|                             | 12             | 1                            |  | 1134-5802-01                              | Hydraulventil kpl .....  | Hydraulic valve assy .....                   |             |                     |  |
|                             | 12A            | 1                            |  | 1134-5242-01                              | • Tryckbegr.ventil ..... | • Pressure restr.valve .....                 |             | 30 bar              |  |
|                             | 12B            | 2                            |  | 1134-5241-01                              | • Magnetspole .....      | • Magnet spool .....                         |             | 12V DC, 18W         |  |
|                             | 12C            | 1                            |  | 1134-5240-01                              | • Elventil .....         | • Electric valve .....                       |             | NC                  |  |
|                             | 12D            | 1                            |  | 1134-5239-01                              | • Elventil .....         | • Electric valve .....                       |             | NO                  |  |
|                             | 12E            | 1                            |  | 1134-4109-01                              | • Filterpatron .....     | • Filter cartridge .....                     |             |                     |  |
| X                           | 12F            | 1                            |  | 1134-5687-01                              | • Mutter- låg .....      | • Nut- low .....                             |             | 7 mm                |  |
| X                           | 12G            | 1                            |  | 1134-5688-01                              | • Mutter- hög .....      | • Nut- high .....                            |             | 12 mm               |  |
|                             | 13             | 1                            |  | 1134-5028-01                              | Kontaktdon .....         | Contact unit .....                           |             |                     |  |
| X                           | 14             | 1                            |  | 1134-5627-01                              | Ventilkonsol .....       | Valve bracket .....                          |             |                     |  |
|                             | 15             | 2                            |  | 9959-0612-16                              | Skruv .....              | Screw .....                                  |             |                     |  |
|                             | 16             | 2                            |  | 9945-0825-16                              | Skruv .....              | Screw .....                                  |             |                     |  |
|                             | 17             | 1                            |  | 1134-4824-01                              | Adapter .....            | Adapter .....                                |             | 1/4" x 1/8"         |  |
|                             | 18             | 1                            |  | 1134-4948-01                              | Tredobricka .....        | Seal washer .....                            |             | 1/4"                |  |
| X                           | 19             | 1                            |  | 1134-4819-03                              | Hydraulslang .....       | Hydraulic tube .....                         |             |                     |  |
|                             | 20             | 1                            |  | 1134-4826-01                              | Banjoskruv .....         | Banjo bolt .....                             |             | 1/8"                |  |
|                             | 21             | 2                            |  | 1134-4947-01                              | Kopparbricka .....       | Copper washer .....                          |             |                     |  |
|                             | 22             | 1                            |  | 1134-4825-01                              | Adapter .....            | Adapter .....                                |             | 1/8" x 1/8"         |  |
|                             | 23             | 1                            |  | 1134-4947-01                              | Kopparbricka .....       | Copper washer .....                          |             |                     |  |
| X                           | 24             | 1                            |  | 1134-4820-02                              | Hydraulslang .....       | Hydraulic tube .....                         |             |                     |  |
|                             | 25             | 1                            |  | 1134-4824-01                              | Adapter .....            | Adapter .....                                |             | 1/4" x 1/8"         |  |
|                             | 26             | 1                            |  | 1134-4948-01                              | Tredobricka .....        | Seal washer .....                            |             | 1/4"                |  |
|                             | 27             | 1                            |  | 1134-4282-01                              | Hydraulnippel .....      | Hydraulic nipple .....                       |             | 9/16" x 9/16"       |  |
|                             | 27A            | 1                            |  | 9404-0028-01                              | • O- ring .....          | • O- ring .....                              |             |                     |  |
| X                           | 28             | 1                            |  | 1134-5756-01                              | Hydraulslang .....       | Hydraulic tube .....                         |             |                     |  |
| X                           | 29             | 1                            |  | 1134-5806-01                              | Vinkeladapter .....      | Hydraulic coupling .....                     |             | 9/16" x 9/16"       |  |
|                             | 29A            | 1                            |  | 9404-0028-01                              | • O- ring .....          | • O- ring .....                              |             |                     |  |
|                             | 30             | 4                            |  | 9579-0003-00                              | Buntband .....           | Cable holder .....                           |             |                     |  |



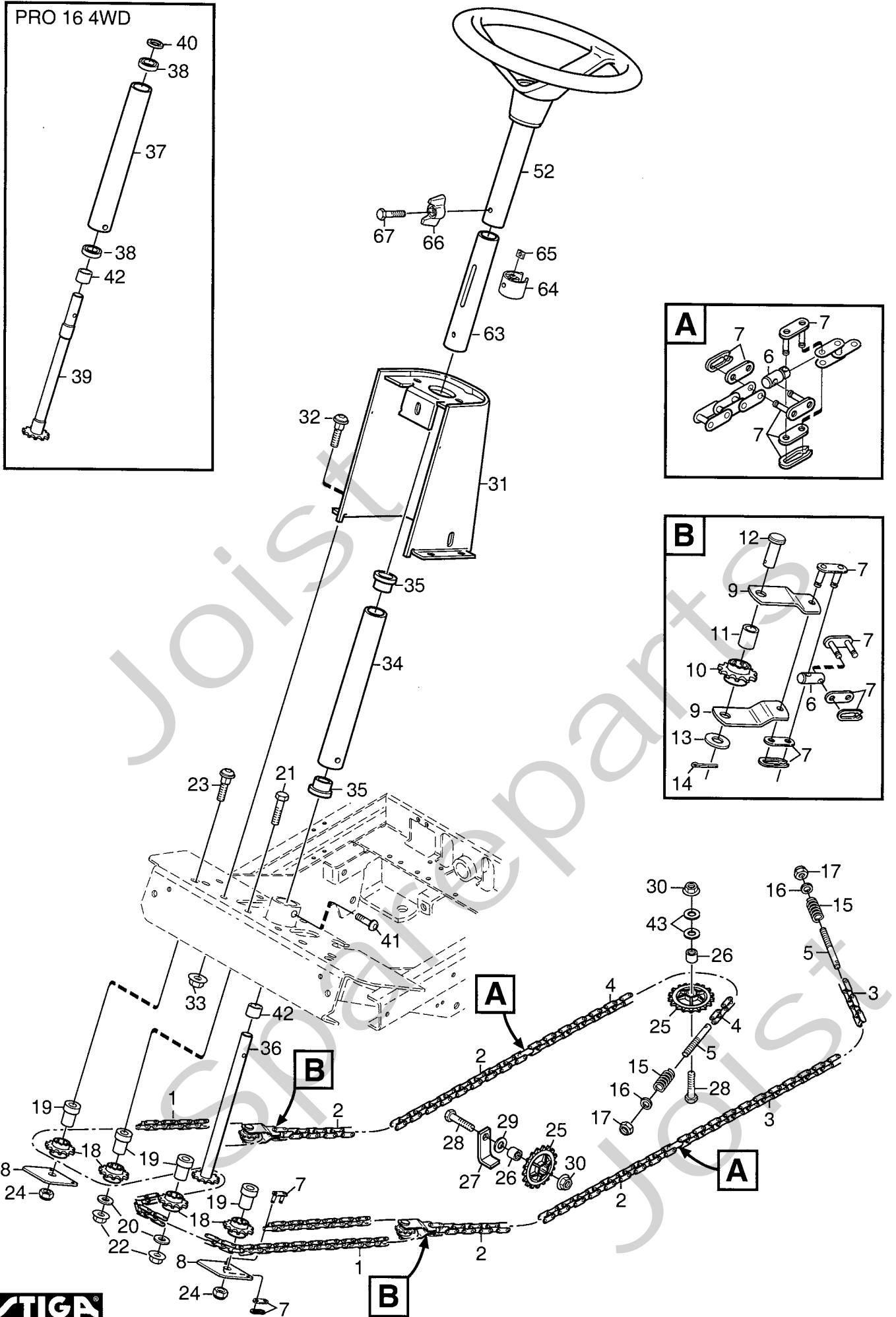
| Utgåva<br>Issue |                | Bildnr<br>Picture No |  | PARK 4WD<br>PRESTIGE<br>SITS |                   | PARK 4WD<br>PRESTIGE<br>SEAT |             | Sida<br>Page        |  |
|-----------------|----------------|----------------------|--|------------------------------|-------------------|------------------------------|-------------|---------------------|--|
| 2005- 11        |                | 1794                 |  |                              |                   |                              |             | 102                 |  |
| Pos.<br>Fig.    | Antal/Quantity |                      |  | Art nr<br>Part No            | Benämning         | Description                  | Sats<br>Kit | Anmärkning<br>Notes |  |
|                 | 6125           |                      |  |                              |                   |                              |             |                     |  |
| X 1             | 1              |                      |  | 1134-4223-01                 | Sits .....        | Seat .....                   |             |                     |  |
| 2               | 1              |                      |  | 1134-5698-01                 | Sitskonsol.....   | Seat bracket .....           |             |                     |  |
| 3               | 1              |                      |  | 1134-5179-01                 | Spärr .....       | Catch.....                   |             |                     |  |
| 4               | 1              |                      |  | 9675-0012-02                 | Starlock .....    | Locking washer.....          |             |                     |  |
| 5               | 2              |                      |  | 1134-0240-00                 | Ansätsskruv.....  | Shoulder screw .....         |             |                     |  |
| 6               | 2              |                      |  | 9747-0831-02                 | Mutter.....       | Lock nut.....                |             |                     |  |
| 7               | 1              |                      |  | 1134-4628-05                 | Överdel .....     | Seat plate .....             |             |                     |  |
| 8               | 1              |                      |  | 1134-4256-01                 | Sitsfjäder .....  | Seat spring.....             |             |                     |  |
| 9               | 1              |                      |  | 9924-1230-19                 | Skruv .....       | Screw.....                   |             |                     |  |
| 10              | 1              |                      |  | 9747-1231-02                 | Låsmutter.....    | Lock nut.....                |             |                     |  |
| 11              | 1              |                      |  | 1134-4194-02                 | Sitsbrytare.....  | Seat switch .....            |             |                     |  |
| 12              | 1              |                      |  | 1134-3990-01                 | Armsvep .....     | Attachment-side panel.....   |             |                     |  |
| 13              | 2              |                      |  | 9897-0820-16                 | Skruv .....       | Screw .....                  |             |                     |  |
| 14              | 2              |                      |  | 9739-0831-22                 | Mutter.....       | Nut .....                    |             |                     |  |
| 15              | 1              |                      |  | 1134-4130-01                 | Lock- undre ..... | Cover- lower .....           |             |                     |  |
| 16              | 4              |                      |  | 9840-8019-16                 | Skruv .....       | Screw .....                  |             |                     |  |
| 17              | 1              |                      |  | 1134-4135-01                 | Relåhållare.....  | Relay holder .....           |             |                     |  |
| 18              | 2              |                      |  | 9632-0522-00                 | Popnit .....      | Pop rivet .....              |             |                     |  |
| 19              | 4              |                      |  | 9897-0820-16                 | Skruv .....       | Screw .....                  |             |                     |  |
| 20              | 2              |                      |  | 9897-0880-12                 | Skruv .....       | Screw .....                  |             |                     |  |
| 21              | 2              |                      |  | 1134-1565-08                 | Distans .....     | Spacer.....                  |             |                     |  |
| 22              | 6              |                      |  | 9747-0831-02                 | Mutter.....       | Lock nut.....                |             |                     |  |



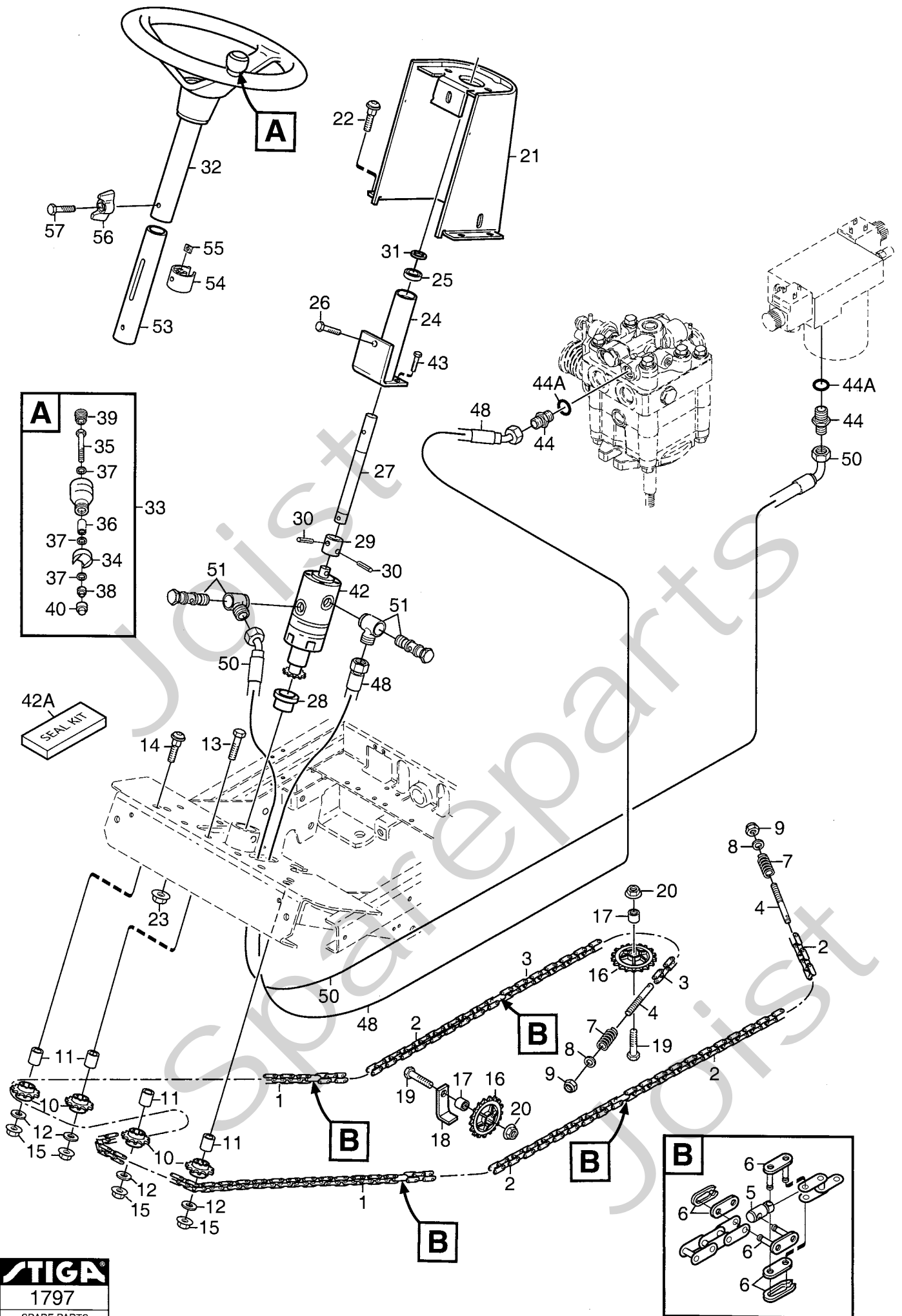


| Utgåva<br>Issue |                | Bildnr<br>Picture No |   | PARK 4WD<br>PRO 16- PRO 20- PRO 25<br>SITS |                      | PARK 4WD<br>PRO 16- PRO 20- PRO 25<br>SEAT |             | Sida<br>Page        |
|-----------------|----------------|----------------------|---|--|----------------------|--|-------------|---------------------|
| 2005- 11        |                | 1795                 |   |  |                      |  |             | 104                 |
| Pos.<br>Fig.    | Antal/Quantity |                      |   | Art nr<br>Part No                          | Benämning            | Description                                | Sats<br>Kit | Anmärkning<br>Notes |
|                 | 6241           | 6244<br>6246         |   |  |                      |  |             |                     |
|                 | 2              | 1                    | 1 | 1134-4224-01                               | Sits .....           | Seat .....                                 |             |                     |
|                 | 3              |                      | 1 | 1134-4225-01                               | Armstöd kpl .....    | Arm rests assy .....                       |             |                     |
|                 | 3A             |                      | 6 | 1134-5095-01                               | • Skruv .....        | • Button head screw .....                  |             |                     |
|                 | 3B             |                      | 6 | 1134-5096-01                               | • Mutter .....       | • Tab nut .....                            |             |                     |
|                 | 3C             |                      | 2 | 9988-3713-16                               | • Skruv .....        | • Screw .....                              |             |                     |
|                 | 3D             |                      | 2 | 9988-3745-12                               | • Skruv .....        | • Screw .....                              |             |                     |
|                 | 3E             |                      | 4 | 1134-5094-01                               | • Distans .....      | • Spacer .....                             |             |                     |
|                 | 3F             |                      | 2 | 9795-3731-02                               | • Mutter .....       | • Nut .....                                |             |                     |
| X               | 3G             |                      | 2 | 1134-5879-01                               | • Armstödsdyna ..... | • Arm rest pad .....                       |             |                     |
|                 | 4              | 2                    | 2 | 9897-0880-12                               | Skruv .....          | Screw .....                                |             | L = 80 mm           |
|                 | 5              | 4                    | 4 | 9897-0820-16                               | Skruv .....          | Screw .....                                |             | L = 20 mm           |
|                 | 6              | 6                    | 6 | 9747-0831-02                               | Mutter .....         | Lock nut .....                             |             |                     |
| X               | 7              | 1                    | 1 | 1134-5695-01                               | Sitskonsol .....     | Seat bracket .....                         |             |                     |
|                 | 8              | 1                    | 1 | 1134-4144-01                               | Platta- övre .....   | Seat plate- upper .....                    |             |                     |
|                 | 9              | 2                    | 2 | 1134-4083-01                               | Länkkarm .....       | Pivot link .....                           |             |                     |
|                 | 10             | 2                    | 2 | 1134-0240-00                               | Ansattsskruv .....   | Shoulder screw .....                       |             |                     |
|                 | 11             | 2                    | 2 | 9699-0069-02                               | Planbricka .....     | Flat washer .....                          |             |                     |
|                 | 12             | 2                    | 2 | 9665-0002-00                               | Brickfjäder .....    | Bowed washer .....                         |             |                     |
|                 | 13             | 2                    | 2 | 9747-0831-02                               | Mutter .....         | Lock nut .....                             |             |                     |
|                 | 14             | 4                    | 4 | 1134-4084-01                               | Glidsko .....        | Slide block .....                          |             |                     |
|                 | 15             | 4                    | 4 | 9939-0816-16                               | Skruv .....          | Screw .....                                |             |                     |
|                 | 16             | 2                    | 2 | 1134-4082-03                               | Axel .....           | Shaft .....                                |             |                     |
|                 | 17             | 4                    | 4 | 9959-0816-16                               | Skruv .....          | Screw .....                                |             |                     |
|                 | 18             | 2                    | 2 | 1134-4160-01                               | Fjäder .....         | Seat spring .....                          |             |                     |
|                 | 19             | 1                    | 1 | 1134-4153-01                               | Tryckpinne .....     | Push pin .....                             |             |                     |
|                 | 20             | 1                    | 1 | 1134-4159-01                               | Fjäder .....         | Spring .....                               |             |                     |
|                 | 21             | 1                    | 1 | 9699-0056-02                               | Planbricka .....     | Flat washer .....                          |             |                     |
|                 | 22             | 1                    | 1 | 9747-0831-02                               | Mutter .....         | Lock nut .....                             |             |                     |
| X               | 23             | 1                    | 1 | 1134-4213-02                               | Glidplatta .....     | Slide plate .....                          |             |                     |
|                 | 24             | 2                    | 2 | 1134-0240-00                               | Ansattsskruv .....   | Shoulder screw .....                       |             |                     |
|                 | 26             | 1                    | 1 | 1134-4142-01                               | Svep .....           | Cover .....                                |             |                     |
|                 | 27             | 3                    | 3 | 9852-8013-16                               | Skruv .....          | Screw .....                                |             |                     |
|                 | 28             | 1                    | 1 | 1134-3156-01                               | Brytare .....        | Seat switch .....                          |             |                     |
|                 | 29             | 1                    | 1 | 1134-3990-01                               | Armsvep .....        | Attachment- side panel .....               |             |                     |
|                 | 30             | 2                    | 2 | 9897-0820-16                               | Skruv .....          | Screw .....                                |             |                     |
|                 | 31             | 2                    | 2 | 9739-0831-22                               | Mutter .....         | Nut .....                                  |             |                     |
|                 | 32             | 1                    | 1 | 1134-4130-01                               | Lock- undre .....    | Cover- lower .....                         |             |                     |
|                 | 33             | 4                    | 4 | 9840-8019-16                               | Skruv .....          | Screw .....                                |             |                     |
|                 | 34             | 1                    | 1 | 1134-4135-01                               | Relähållare .....    | Relay holder .....                         |             |                     |
|                 | 35             | 2                    | 2 | 9632-0522-00                               | Popnit .....         | Pop rivet .....                            |             |                     |
|                 | 36             | 1                    | 1 | 9699-0087-02                               | Planbricka .....     | Flat washer .....                          |             |                     |
|                 | 37             | 2                    | 2 | 1134-1565-08                               | Distans .....        | Spacer .....                               |             |                     |

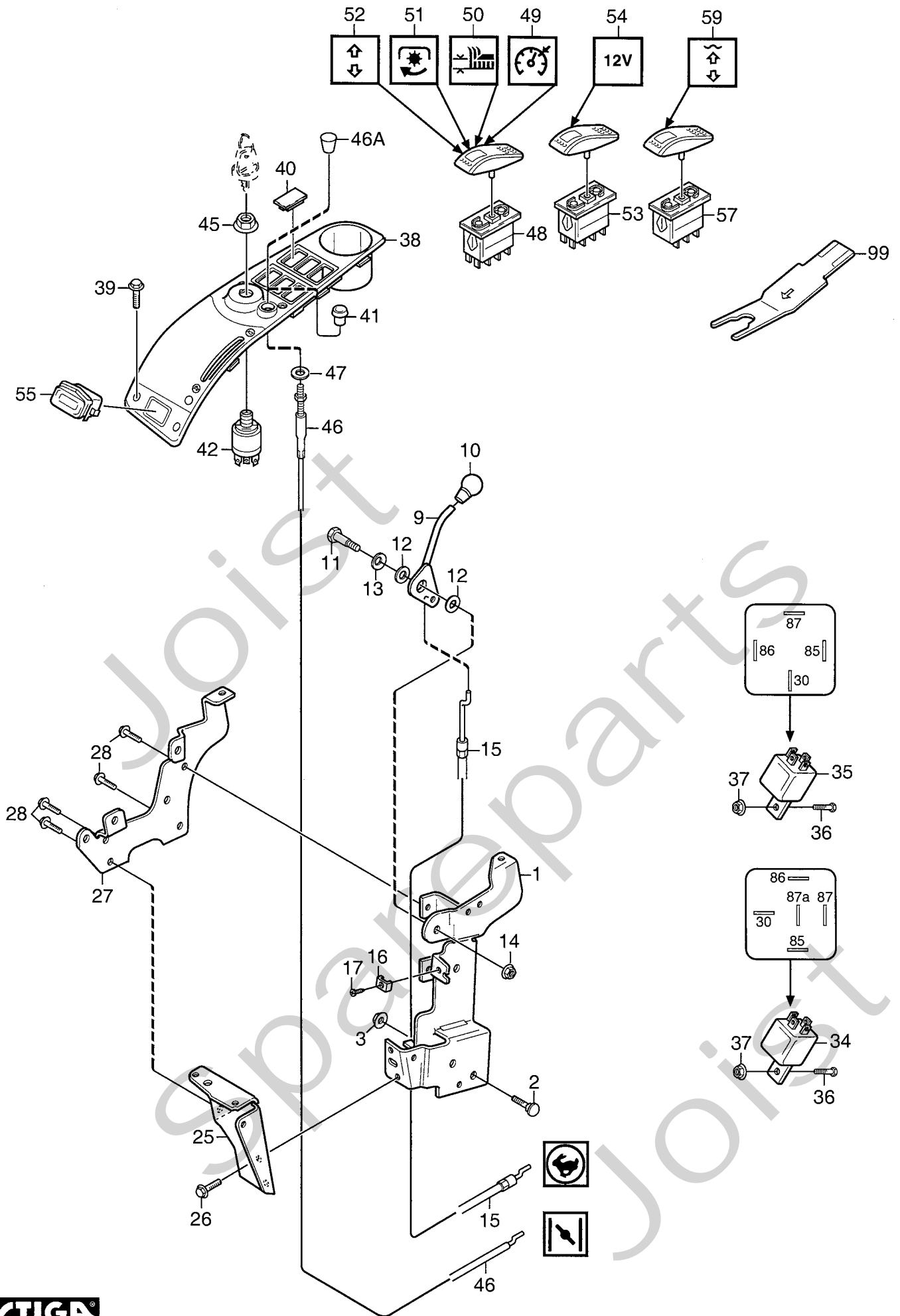
PRO 16 4WD



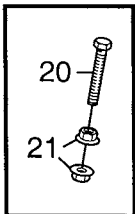
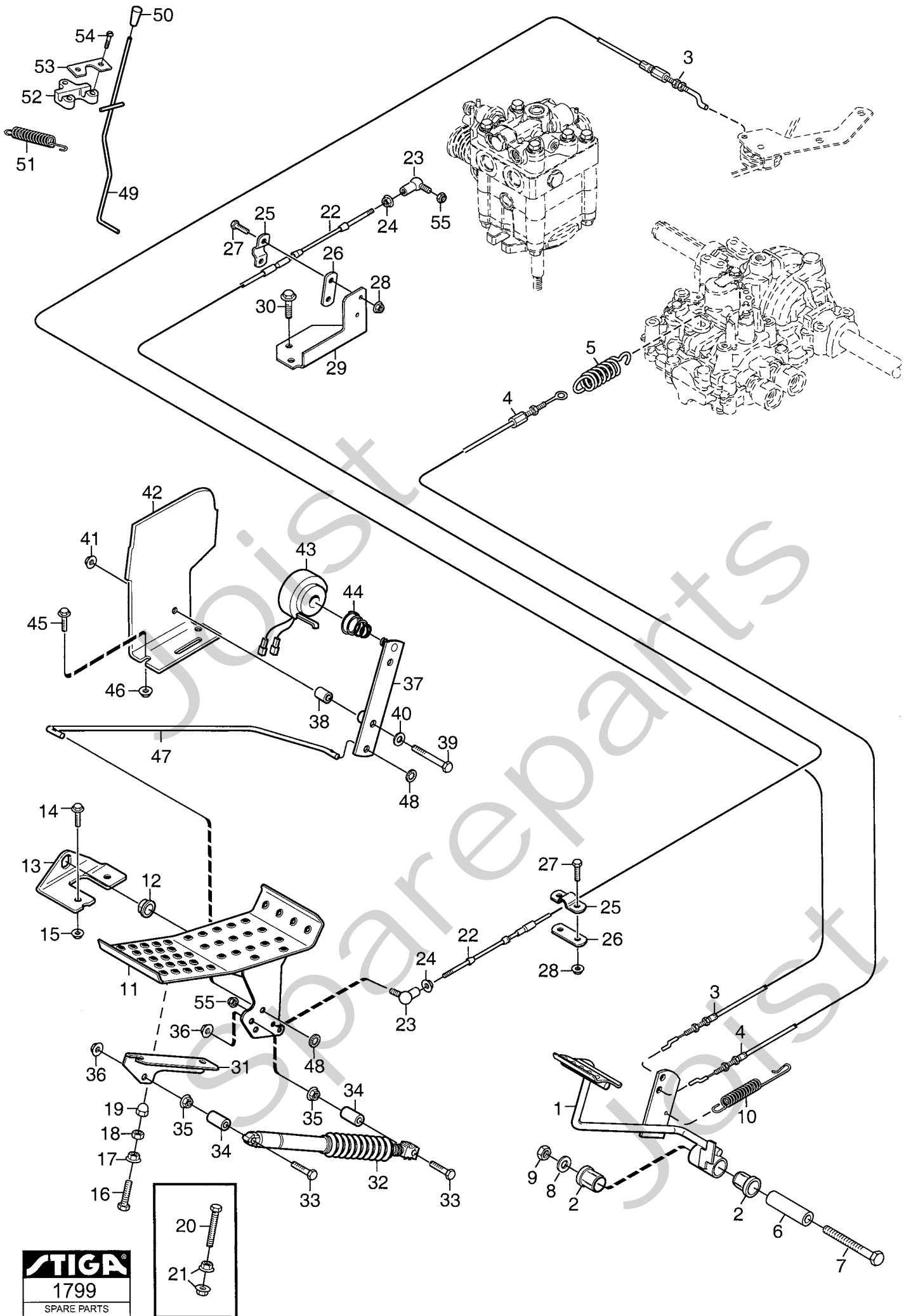
| Utgåva<br>Issue<br>2005-11 |                | Bildnr<br>Picture No<br>1796 |    | PARK 4WD<br>PRESTIGE- PRO 16<br>STYRNING |                        | PARK 4WD<br>PRESTIGE- PRO 16<br>STEERING |             | Sida<br>Page<br>106 |  |
|----------------------------|----------------|------------------------------|----|--|------------------------|--|-------------|---------------------|--|
| Pos.<br>Fig.               | Antal/Quantity |                              |    | Art nr<br>Part No                        | Benämning              | Description                              | Sats<br>Kit | Anmärkning<br>Notes |  |
|                            | 6125           | 6241                         |    |  |                        |  |             |                     |  |
| X                          | 1              | 1                            | 1  | 1134-2820-10                             | Kedja .....            | Chain.....                               |             | 129 länk            |  |
| X                          | 2              | 2                            | 2  | 1134-2820-09                             | Kedja .....            | Chain.....                               |             | 35 länk             |  |
|                            | 3              | 1                            | 1  | 1134-2820-02                             | Kedja .....            | Chain.....                               |             | 41 länk             |  |
| X                          | 4              | 1                            | 1  | 1134-2820-05                             | Kedja .....            | Chain.....                               |             | 47 länk             |  |
| X                          | 5              | 2                            | 2  | 1134-3550-02                             | Ändnippel .....        | End nipple .....                         |             |                     |  |
|                            | 6              | 4                            | 4  | 1134-3565-01                             | Skarvnippel.....       | Connection nipple .....                  |             |                     |  |
|                            | 7              | 12                           | 12 | 1134-2824-01                             | Kedjelås .....         | Chain lock .....                         |             |                     |  |
| X                          | 8              | 2                            | 2  | 1134-5652-01                             | Fäste .....            | Attachment.....                          |             |                     |  |
| X                          | 9              | 4                            | 4  | 1134-5651-01                             | Bygel .....            | Bracket.....                             |             |                     |  |
|                            | 10             | 2                            | 2  | 1134-2816-01                             | Kedjehjul.....         | Sprocket.....                            |             |                     |  |
|                            | 11             | 2                            | 2  | 1134-0041-02                             | Linhjulshylsa .....    | Idler wheel bush.....                    |             |                     |  |
|                            | 12             | 2                            | 2  | 1134-4817-01                             | Kolvstångssprint.....  | Pin .....                                |             |                     |  |
|                            | 13             | 2                            | 2  | 9699-0035-02                             | Planbricka.....        | Flat washer.....                         |             |                     |  |
|                            | 14             | 2                            | 2  | 9599-0054-02                             | Saxpinne.....          | Cotter pin .....                         |             |                     |  |
| X                          | 15             | 2                            | 2  | 1134-3817-02                             | Tryckfjäder.....       | Compression spring.....                  |             |                     |  |
|                            | 16             | 2                            | 2  | 9699-0090-02                             | Planbricka.....        | Flat washer.....                         |             |                     |  |
|                            | 17             | 2                            | 2  | 9747-0831-02                             | Mutter.....            | Lock nut .....                           |             |                     |  |
|                            | 18             | 4                            | 4  | 1134-2816-01                             | Kedjehjul.....         | Sprocket.....                            |             |                     |  |
| X                          | 19             | 4                            | 4  | 1134-5653-01                             | Distans .....          | Spacer.....                              |             |                     |  |
|                            | 20             | 2                            | 2  | 9699-0035-02                             | Planbricka.....        | Flat washer.....                         |             |                     |  |
|                            | 21             | 2                            | 2  | 9997-1060-12                             | Skruv .....            | Screw.....                               |             |                     |  |
|                            | 22             | 2                            | 2  | 9739-1031-22                             | Mutter.....            | Nut.....                                 |             |                     |  |
| X                          | 23             | 2                            | 2  | 9897-1060-12                             | Skruv .....            | Screw.....                               |             |                     |  |
|                            | 24             | 2                            | 2  | 9747-1031-02                             | Låsmutter .....        | Lock nut .....                           |             |                     |  |
|                            | 25             | 3                            | 3  | 1134-3547-01                             | Kedjehjul.....         | Sprocket.....                            |             |                     |  |
|                            | 26             | 3                            | 3  | 1134-0041-01                             | Linhjulshylsa .....    | Bushing.....                             |             |                     |  |
|                            | 27             | 2                            | 2  | 1134-3022-01                             | Linhållare.....        | Cable holder.....                        |             |                     |  |
|                            | 28             | 3                            | 3  | 9997-1040-16                             | Skruv .....            | Screw.....                               |             |                     |  |
|                            | 29             | 2                            | 2  | 9699-0035-02                             | Planbricka.....        | Flat washer.....                         |             |                     |  |
|                            | 30             | 3                            | 3  | 9739-1031-22                             | Mutter.....            | Nut .....                                |             |                     |  |
|                            | 31             | 1                            | 1  | 1134-4120-04                             | Styrkonsol .....       | Steering console .....                   |             |                     |  |
|                            | 32             | 4                            | 4  | 9897-0820-16                             | Skruv .....            | Screw.....                               |             |                     |  |
|                            | 33             | 4                            | 4  | 9739-0831-22                             | Mutter.....            | Nut.....                                 |             |                     |  |
|                            | 34             | 1                            |    | 1134-1305-03                             | Rattrör-nedre .....    | Steering column-lower.....               |             |                     |  |
|                            | 35             | 2                            |    | 1134-1901-01                             | Lager .....            | Bearing.....                             |             |                     |  |
| X                          | 36             | 1                            |    | 1134-2821-04                             | Rattstång.....         | Steering rod .....                       |             |                     |  |
|                            | 37             |                              | 1  | 1134-3085-01                             | Rattrör-nedre .....    | Steering column-lower.....               |             |                     |  |
|                            | 38             |                              | 2  | 9549-0017-00                             | Kullager .....         | Ball bearing .....                       |             |                     |  |
| X                          | 39             |                              | 1  | 1134-5691-01                             | Rattstång.....         | Steering rod .....                       |             |                     |  |
|                            | 40             |                              | 1  | 9695-0011-00                             | Bricka .....           | Washer.....                              |             |                     |  |
|                            | 41             | 2                            | 2  | 9893-0616-16                             | Skruv .....            | Screw.....                               |             |                     |  |
| X                          | 42             | 1                            | 1  | 1134-2837-03                             | Distans .....          | Spacer.....                              |             |                     |  |
|                            | 43             | 2                            | 2  | 9699-0035-02                             | Planbricka.....        | Flat washer.....                         |             |                     |  |
|                            | 52             | 1                            | 1  | 1134-5173-01                             | Ratt.....              | Steering wheel .....                     |             |                     |  |
|                            | 63             | 1                            | 1  | 1134-5216-01                             | Rattrör-inre kpl ..... | Steering tube-inner.....                 |             |                     |  |
|                            | 64             | 1                            | 1  | 1134-5177-01                             | • Slid .....           | • Slide .....                            |             |                     |  |
|                            | 65             | 1                            | 1  | 9710-0631-12                             | • Fyrkantmutter .....  | • Square nut .....                       |             |                     |  |
|                            | 66             | 1                            | 1  | 1134-4481-02                             | Vingmutter.....        | Wing nut .....                           |             |                     |  |
|                            | 67             | 1                            | 1  | 9997-0630-12                             | Skruv .....            | Screw.....                               |             |                     |  |



| Utgåva<br>Issue |                | Bildnr<br>Picture No |  | PARK 4WD<br>PRO 20- PRO 25<br>STYRNING |                         | PARK 4WD<br>PRO 20- PRO 25<br>STEERING |             | Sida<br>Page        |  |
|-----------------|----------------|----------------------|--|--|-------------------------|--|-------------|---------------------|--|
| 2005- 11        |                | 1797                 |  |  |                         |  |             | 108                 |  |
| Pos.<br>Fig.    | Antal/Quantity |                      |  | Art nr<br>Part No                      | Benämning               | Description                            | Sats<br>Kit | Anmärkning<br>Notes |  |
|                 | 6244           |                      |  |  |                         |  |             |                     |  |
|                 | 1              |                      |  | 1134-2820-06                           | Kedja .....             | Chain .....                            |             | 83 länk             |  |
|                 | 2              |                      |  | 1134-2820-02                           | Kedja .....             | Chain .....                            |             | 41 länk             |  |
|                 | 3              |                      |  | 1134-2820-04                           | Kedja .....             | Chain .....                            |             | 45 länk             |  |
| X               | 4              |                      |  | 1134-3550-02                           | Ändnippel .....         | End nipple .....                       |             |                     |  |
|                 | 5              |                      |  | 1134-3565-01                           | Skarvnippel.....        | Connection nipple .....                |             |                     |  |
|                 | 6              | 10                   |  | 1134-2824-01                           | Kedjelås .....          | Chain lock .....                       |             |                     |  |
| X               | 7              |                      |  | 1134-3817-02                           | Tryckfjäder .....       | Compression spring .....               |             |                     |  |
|                 | 8              |                      |  | 9699-0090-02                           | Planbricka.....         | Flat washer .....                      |             |                     |  |
|                 | 9              |                      |  | 9747-0831-02                           | Mutter.....             | Lock nut .....                         |             |                     |  |
|                 | 10             |                      |  | 1134-2816-01                           | Kedjehjul.....          | Sprocket.....                          |             |                     |  |
|                 | 11             |                      |  | 1134-0041-02                           | Linhjulshylsa .....     | Idler wheel bush.....                  |             |                     |  |
|                 | 12             |                      |  | 9699-0035-02                           | Planbricka.....         | Flat washer .....                      |             |                     |  |
|                 | 13             |                      |  | 9997-1050-16                           | Skruv .....             | Screw .....                            |             |                     |  |
|                 | 14             |                      |  | 9897-1040-12                           | Skruv .....             | Screw .....                            |             |                     |  |
|                 | 15             |                      |  | 9739-1031-22                           | Mutter.....             | Nut .....                              |             |                     |  |
|                 | 16             |                      |  | 1134-3547-01                           | Kedjehjul.....          | Sprocket.....                          |             |                     |  |
|                 | 17             |                      |  | 1134-0041-01                           | Linhjulshylsa .....     | Bushing.....                           |             |                     |  |
|                 | 18             |                      |  | 1134-3022-01                           | Linhållare .....        | Cable holder .....                     |             |                     |  |
|                 | 19             |                      |  | 9997-1030-16                           | Skruv .....             | Screw .....                            |             |                     |  |
|                 | 20             |                      |  | 9739-1031-22                           | Mutter.....             | Nut .....                              |             |                     |  |
|                 | 21             |                      |  | 1134-4120-04                           | Styrkonsol .....        | Steering console .....                 |             |                     |  |
|                 | 22             |                      |  | 9897-0820-16                           | Skruv .....             | Screw .....                            |             |                     |  |
|                 | 23             |                      |  | 9739-0831-22                           | Mutter.....             | Nut .....                              |             |                     |  |
| X               | 24             |                      |  | 1134-4113-02                           | Rattrör- nedre .....    | Steering tube- lower .....             |             |                     |  |
|                 | 25             |                      |  | 9549-0017-00                           | Kullager .....          | Ball bearing .....                     |             |                     |  |
|                 | 26             |                      |  | 9945-0816-16                           | Skruv .....             | Screw .....                            |             |                     |  |
|                 | 27             |                      |  | 1134-4087-01                           | Rattstång .....         | Steering rod .....                     |             |                     |  |
|                 | 28             |                      |  | 1134-4114-01                           | Bussning .....          | Bushing .....                          |             |                     |  |
|                 | 29             |                      |  | 1134-4118-01                           | Koppling .....          | Coupling .....                         |             |                     |  |
|                 | 30             |                      |  | 9595-0256-01                           | Spännstift .....        | Pin .....                              |             |                     |  |
|                 | 31             |                      |  | 9695-0011-00                           | Bricka .....            | Washer .....                           |             |                     |  |
|                 | 32             |                      |  | 1134-5173-02                           | Ratt kpl .....          | Steering wheel assy .....              |             |                     |  |
|                 | 33             |                      |  | 1134-3769-01                           | • Styrknopp kpl .....   | • Steering wheel button .....          |             |                     |  |
|                 | 34             |                      |  | 1134-3752-01                           | •• Knopffäste .....     | •• Knob holder .....                   |             |                     |  |
|                 | 35             |                      |  | 9997-0865-12                           | •• Skruv .....          | •• Screw .....                         |             |                     |  |
|                 | 36             |                      |  | 1134-1565-06                           | •• Distans .....        | •• Spacer .....                        |             |                     |  |
|                 | 37             |                      |  | 9699-0090-02                           | •• Planbricka .....     | •• Flat washer .....                   |             |                     |  |
|                 | 38             |                      |  | 9747-0831-02                           | •• Mutter .....         | •• Lock nut .....                      |             |                     |  |
|                 | 39             |                      |  | 9403-0043-70                           | •• Plugg .....          | •• Plug .....                          |             |                     |  |
|                 | 40             |                      |  | 9403-0113-00                           | •• Mutterhatt .....     | •• Nut cap .....                       |             |                     |  |
|                 | 42             |                      |  | 1134-5162-01                           | Momentförstärkare ..... | Steering booster .....                 |             |                     |  |
| X               | 42A            |                      |  | 1139-2074-01                           | Reparationssats .....   | Seal kit .....                         |             |                     |  |
|                 | 43             |                      |  | 9939-0612-16                           | Skruv .....             | Screw .....                            |             |                     |  |
|                 | 44             |                      |  | 1134-4282-01                           | Hydraulnippel .....     | Hydraulic nipple .....                 |             | 9/16" x 9/16"       |  |
|                 | 44A            |                      |  | 9404-0028-01                           | • O- ring .....         | • O- ring .....                        |             |                     |  |
| X               | 48             |                      |  | 1134-5757-01                           | Hydraulslang .....      | Hydraulic tube .....                   |             |                     |  |
| X               | 50             |                      |  | 1134-5755-01                           | Hydraulslang .....      | Hydraulic tube .....                   |             |                     |  |
|                 | 51             |                      |  | 1134-5100-01                           | Banjokoppling .....     | Banjo nipple .....                     |             |                     |  |
|                 | 53             |                      |  | 1134-5216-01                           | Rattrör- inre kpl ..... | Steering tube- inner .....             |             |                     |  |
|                 | 54             |                      |  | 1134-5177-01                           | • Slid .....            | • Slide .....                          |             |                     |  |
|                 | 55             |                      |  | 9710-0631-12                           | • Fyrkantmutter .....   | • Square nut .....                     |             |                     |  |
|                 | 56             |                      |  | 1134-4481-02                           | Vingmutter .....        | Wing nut .....                         |             |                     |  |
|                 | 57             |                      |  | 9997-0630-12                           | Skruv .....             | Screw .....                            |             |                     |  |

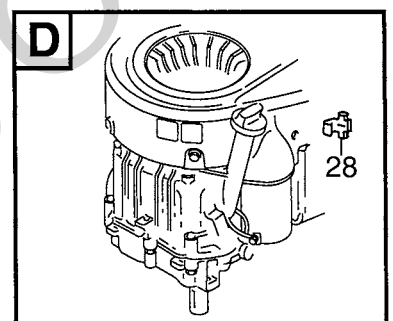
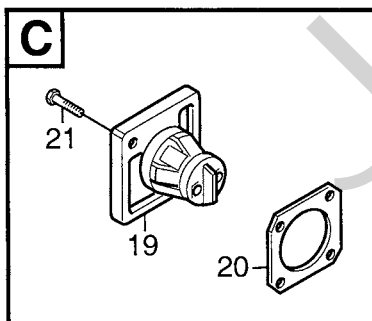
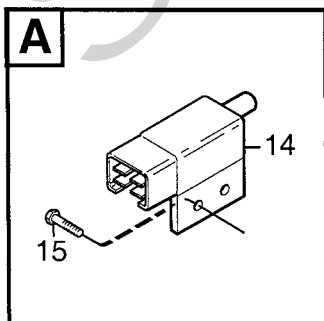
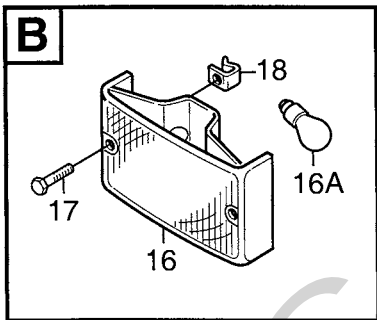
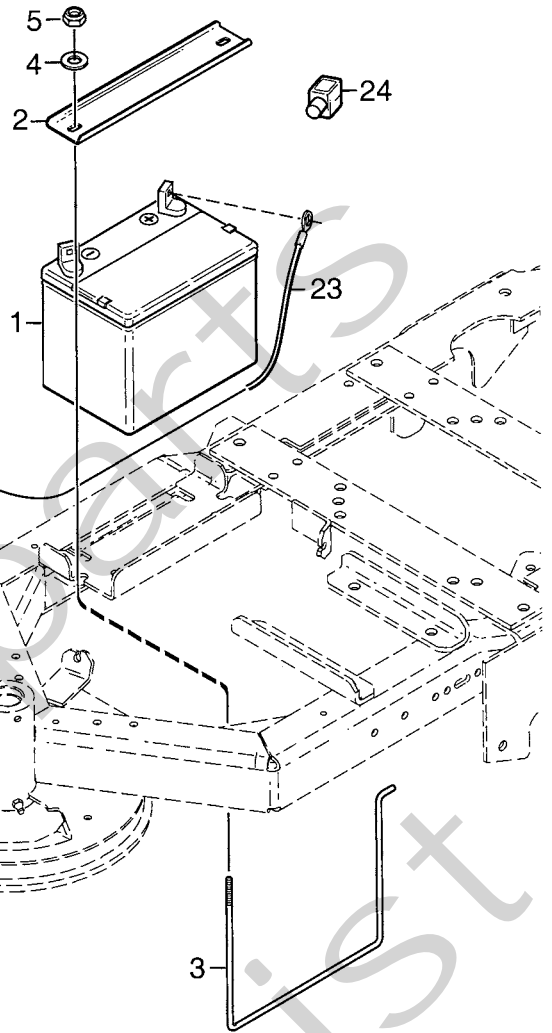
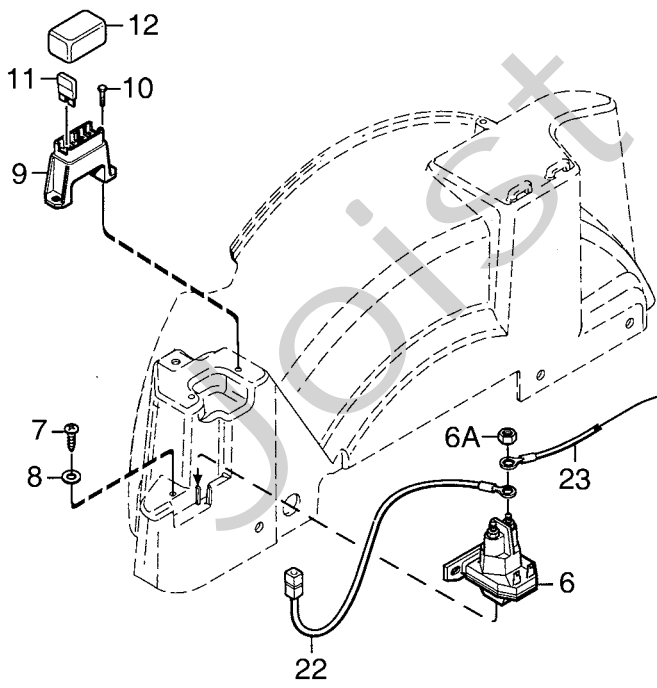
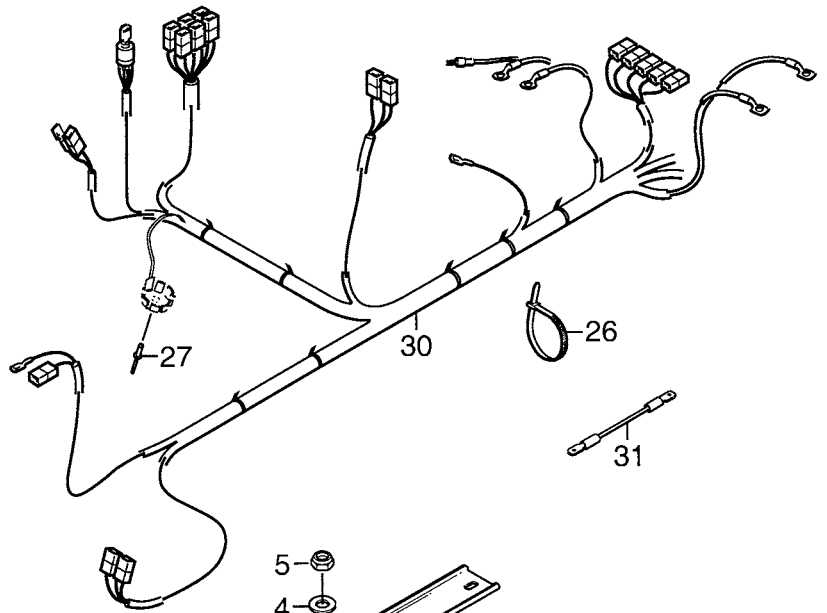
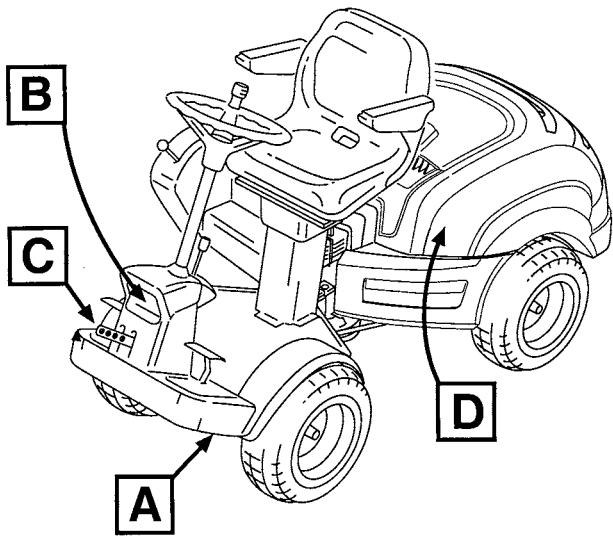


| Utgåva<br>Issue |                | Bildnr<br>Picture No |              | PARK 4WD<br>HANDREGLAGE |                             | PARK 4WD<br>HAND CONTROLS   |             | Sida<br>Page        |  |
|-----------------|----------------|----------------------|--------------|-------------------------|-----------------------------|-----------------------------|-------------|---------------------|--|
| 2005-11         |                | 1798                 |              |                         |                             |                             |             | 110                 |  |
| Pos.<br>Fig.    | Antal/Quantity |                      |              | Art nr<br>Part No       | Benämning                   | Description                 | Sats<br>Kit | Anmärkning<br>Notes |  |
|                 | 6125           | 6241                 | 6244<br>6246 |                         |                             |                             |             |                     |  |
| 1               | 1              | 1                    | 1            | 1134-4156-01            | Vinkelhållare .....         | Panel bracket- inner .....  |             |                     |  |
| 2               | 2              | 2                    | 2            | 9897-0820-16            | Skruv .....                 | Screw .....                 |             |                     |  |
| 3               | 2              | 2                    | 2            | 9739-0831-22            | Mutter .....                | Nut .....                   |             |                     |  |
| 9               | 1              | 1                    | 1            | 1134-4077-01            | Gasreglage .....            | Throttle control .....      |             |                     |  |
| 10              | 1              | 1                    | 1            | 1134-4078-01            | Knopp .....                 | Knob .....                  |             |                     |  |
| 11              | 1              | 1                    | 1            | 1134-0240-00            | Ansattsskruv .....          | Shoulder screw .....        |             |                     |  |
| 12              | 2              | 2                    | 2            | 1134-4242-01            | Distansbricka .....         | Spacer washer .....         |             |                     |  |
| 13              | 1              | 1                    | 1            | 9694-0001-00            | Fjäderbricka .....          | Washer .....                |             |                     |  |
| 14              | 1              | 1                    | 1            | 9747-0831-02            | Mutter .....                | Lock nut .....              |             |                     |  |
| 15              | 1              |                      |              | 1134-4195-01            | Gaswire .....               | Throttle cable .....        |             |                     |  |
| X 15            |                | 1                    | 1            | 1134-4195-03            | Gaswire .....               | Throttle cable .....        |             |                     |  |
| 16              | 1              | 1                    | 1            | 9500-9991-00            | Wireklämma .....            | Cable clamp .....           |             |                     |  |
| 17              | 1              | 1                    | 1            | 9943-0516-16            | Skruv .....                 | Screw .....                 |             |                     |  |
| 25              | 1              | 1                    | 1            | 1134-4487-02            | Frontfäste .....            | Panel bracket .....         |             |                     |  |
| 26              | 2              | 2                    | 2            | 9893-0616-16            | Skruv .....                 | Screw .....                 |             |                     |  |
| 27              | 1              | 1                    | 1            | 1134-3986-01            | Frontplåt .....             | Front plate .....           |             |                     |  |
| 28              | 4              | 4                    | 4            | 9893-0616-16            | Skruv .....                 | Screw .....                 |             |                     |  |
| 34              | 1              | 1                    | 1            | 1134-2871-03            | Relä .....                  | Relay .....                 |             |                     |  |
| 35              | 1              | 2                    | 2            | 1134-2871-01            | Relä .....                  | Relay .....                 |             |                     |  |
| 36              | 2              | 3                    | 3            | 9997-0512-16            | Skruv .....                 | Screw .....                 |             |                     |  |
| 37              | 2              | 3                    | 3            | 9739-0531-22            | Mutter .....                | Nut .....                   |             |                     |  |
| X 38            | 1              |                      |              | 1134-3981-06            | Kassett .....               | Control panel .....         |             |                     |  |
| X 38            |                | 1                    | 1            | 1134-3981-07            | Kassett .....               | Control panel .....         |             |                     |  |
| 39              | 4              | 4                    | 4            | 9946-0525-16            | Skruv .....                 | Screw .....                 |             |                     |  |
| 40              | 5              | 3                    |              | 1134-4129-01            | Täckbricka .....            | Cover .....                 |             |                     |  |
| 41              | 1              |                      |              | 1134-4100-01            | Täckpropp .....             | Plug .....                  |             |                     |  |
| 42              | 1              | 1                    | 1            | 1134-4093-01            | Tändningslås .....          | Ignition switch .....       |             |                     |  |
| 45              | 1              | 1                    | 1            | 1134-4749-01            | Mutter .....                | Nut .....                   |             |                     |  |
| 46              |                | 1                    | 1            | 1134-2872-01            | Chokereglage .....          | Choke control .....         |             |                     |  |
| 46 A            |                | 1                    | 1            | 1134-4338-01            | • Reglageknopp .....        | • Control knob .....        |             |                     |  |
| 47              |                | 2                    | 2            | 9699-0028-02            | Planbricka .....            | Flat washer .....           |             |                     |  |
| 48              | 1              | 3                    | 4            | 9400-0282-01            | Brytare m.diod .....        | Switch w.diode .....        |             |                     |  |
| 49              |                | 1                    | 1            | 9400-0280-02            | Vippa- farthållare .....    | Cover- cruise control ..... |             |                     |  |
| 50              |                | 1                    | 1            | 9400-0280-03            | Vippa- höjinställning ..... | Cover- height adjust .....  |             |                     |  |
| 51              | 1              | 1                    | 1            | 9400-0280-01            | Vippa- kraftuttag .....     | Cover- PTO .....            |             |                     |  |
| 52              |                |                      | 1            | 9400-0280-04            | Vippa- bakräfsa .....       | Cover- rear rake .....      |             |                     |  |
| 53              |                |                      | 1            | 9400-0283-01            | Brytare .....               | Switch .....                |             |                     |  |
| 54              |                |                      | 1            | 9400-0280-05            | Vippa- 12V .....            | Cover- 12V .....            |             |                     |  |
| 55              | 1              | 1                    | 1            | 1134-4179-02            | Timräknare .....            | Hour meter .....            |             |                     |  |
| 57              |                |                      | 1            | 9400-0295-01            | Strömbrytare .....          | Switch .....                |             |                     |  |
| 59              |                |                      | 1            | 9400-0280-06            | Vippa- hydraullyft .....    | Cover- hydraulic lift ..... |             |                     |  |
| 99              | 1              | 1                    | 1            | 9400-0290-01            | Verktyg f.vippa .....       | Tool for cover .....        |             | Tillbehör/Accessory |  |

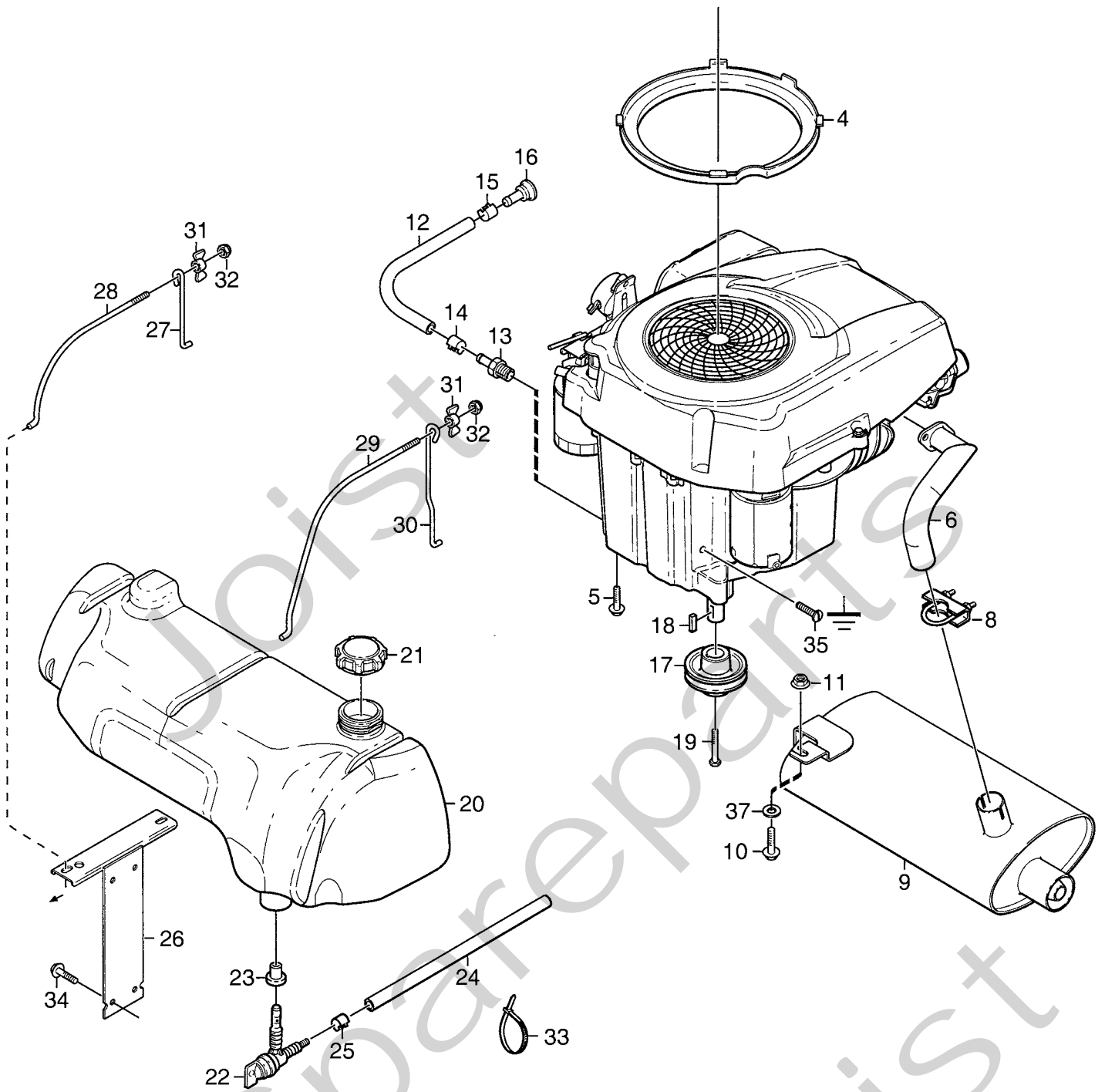




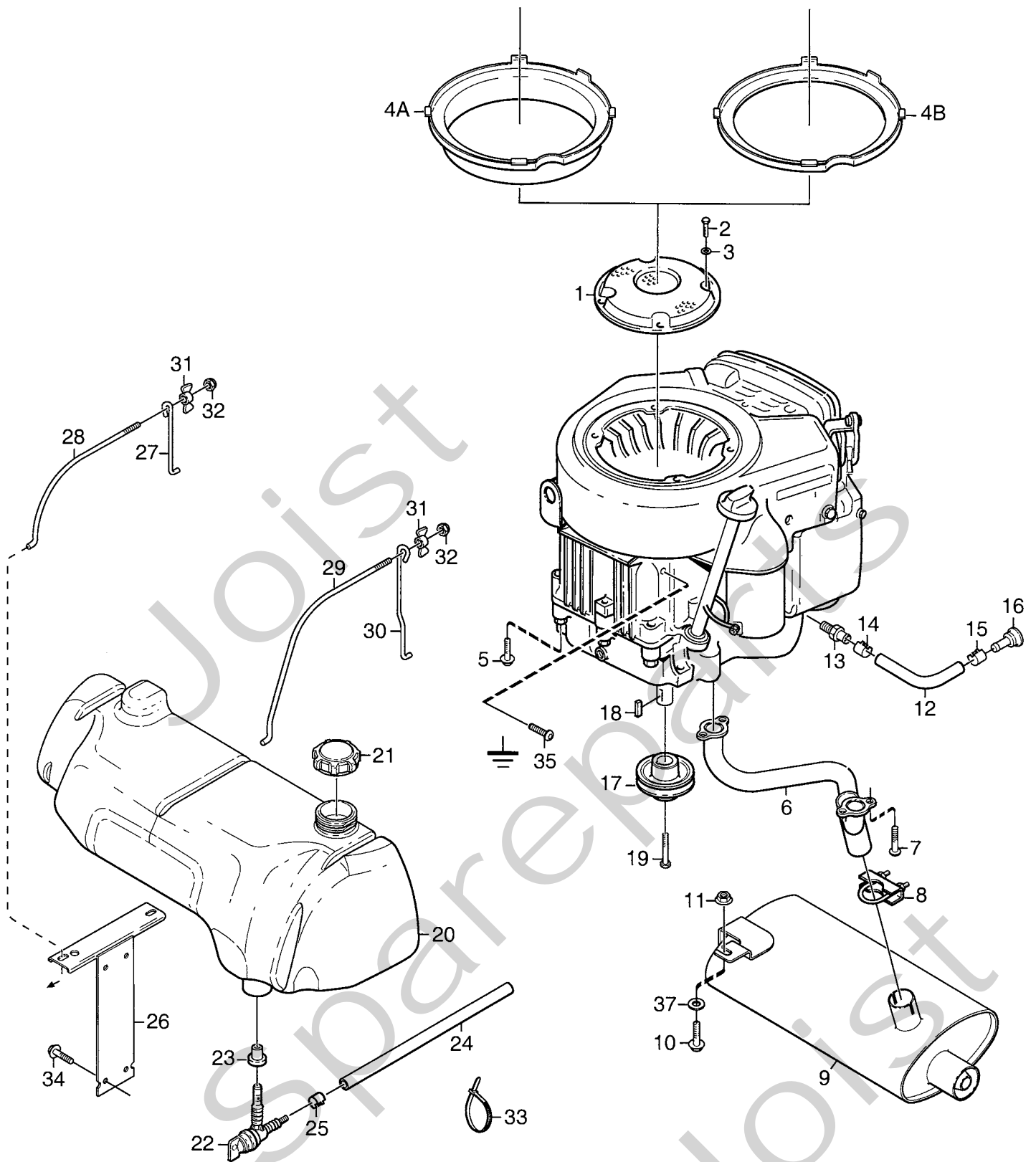
| Utgåva<br>Issue |                | Bildnr<br>Picture No |              |                   | PARK 4WD<br>FOTREGLAGE    | PARK 4WD<br>FOOT CONTROLS   | Sida<br>Page |                     |
|-----------------|----------------|----------------------|--------------|-------------------|---------------------------|-----------------------------|--------------|---------------------|
| 2005- 11        |                | 1799                 |              |                   |                           |                             | 112          |                     |
| Pos.<br>Fig.    | Antal/Quantity |                      |              | Art nr<br>Part No | Benämning                 | Description                 | Sats<br>Kit  | Anmärkning<br>Notes |
|                 | 6125           | 6241                 | 6244<br>6246 |                   |                           |                             |              |                     |
| X               | 1              | 1                    | 1            | 1134-5655-01      | Broms/kopplingspedal..... | Brake/clutch pedal.....     |              | Sats 4 st/kit of 4  |
|                 | 2              | 1                    | 1            | 1134-9024-01      | Lager .....               | Bearing.....                |              |                     |
| X               | 3              | 1                    | 1            | 1134-5815-01      | Kopplingswire.....        | Clutch cable .....          |              |                     |
| X               | 4              | 1                    | 1            | 1134-4006-03      | Bromswire .....           | Brake cable .....           |              |                     |
| X               | 5              | 1                    | 1            | 1134-5989-01      | Fjäder.....               | Spring .....                |              |                     |
| X               | 6              | 1                    | 1            | 1134-5210-04      | Distans .....             | Spacer.....                 |              |                     |
|                 | 7              | 1                    | 1            | 9997-1070-12      | Skruv .....               | Screw .....                 |              |                     |
|                 | 8              | 1                    | 1            | 9699-0030-02      | Planbricka.....           | Flat washer.....            |              |                     |
|                 | 9              | 1                    | 1            | 9739-1031-22      | Mutter.....               | Nut .....                   |              |                     |
|                 | 10             | 1                    | 1            | 4231-0013-00      | Fjäder.....               | Spring .....                |              |                     |
| X               | 11             | 1                    | 1            | 1134-4008-03      | Drivpedal .....           | Drive pedal .....           |              |                     |
|                 | 12             | 2                    | 2            | 1134-2780-01      | Lager .....               | Bearing.....                |              |                     |
|                 | 13             | 2                    | 2            | 1134-2700-01      | Fäste .....               | Bracket.....                |              |                     |
|                 | 14             | 2                    | 2            | 9959-0820-16      | Skruv .....               | Screw .....                 |              |                     |
|                 | 15             | 2                    | 2            | 9739-0831-22      | Mutter.....               | Nut .....                   |              |                     |
|                 | 16             | 1                    | 1            | 9959-0830-16      | Skruv .....               | Screw .....                 |              |                     |
|                 | 17             | 1                    | 1            | 9739-0831-22      | Mutter.....               | Nut .....                   |              |                     |
|                 | 18             | 1                    | 1            | 9787-0831-32      | Mutter.....               | Nut .....                   |              |                     |
|                 | 19             | 1                    | 1            | 9757-0821-02      | Hattmutter .....          | Cap nut .....               |              |                     |
|                 | 20             |                      | 1            | 9997-0870-16      | Skruv .....               | Screw.....                  |              |                     |
|                 | 21             |                      | 2            | 9739-0831-22      | Mutter.....               | Nut .....                   |              |                     |
| X               | 22             | 1                    | 1            | 1134-2766-08      | Reglagewire.....          | Control cable .....         |              |                     |
|                 | 23             | 2                    | 2            | 9570-0001-00      | Vinkellänk .....          | Elbow link .....            |              |                     |
|                 | 24             | 2                    | 2            | 9739-0531-22      | Mutter.....               | Nut .....                   |              |                     |
|                 | 25             | 2                    | 2            | 1134-0266-00      | Fästbygel.....            | Attaching clamp .....       |              |                     |
|                 | 26             | 2                    | 2            | 1134-0267-00      | Underläggsbleck.....      | Clamp plate.....            |              |                     |
|                 | 27             | 4                    | 4            | 9997-0520-16      | Skruv .....               | Screw .....                 |              |                     |
|                 | 28             | 4                    | 4            | 9739-0531-22      | Mutter.....               | Nut .....                   |              |                     |
| X               | 29             | 1                    | 1            | 1134-5689-01      | Wirekonsol .....          | Cable bracket .....         |              |                     |
|                 | 30             | 2                    | 2            | 9945-0816-16      | Skruv .....               | Screw .....                 |              |                     |
|                 | 31             | 1                    | 1            | 1134-3996-01      | Fäste .....               | Bracket .....               |              |                     |
|                 | 32             | 1                    | 1            | 1134-4187-01      | Dämpare.....              | Damper .....                |              |                     |
|                 | 33             | 2                    | 2            | 9997-0835-12      | Skruv .....               | Screw .....                 |              |                     |
|                 | 34             | 2                    | 2            | 1134-1565-09      | Distans .....             | Spacer.....                 |              |                     |
|                 | 35             | 2                    | 2            | 9739-0831-22      | Mutter.....               | Nut .....                   |              |                     |
|                 | 36             | 2                    | 2            | 9747-0831-02      | Mutter.....               | Lock nut.....               |              |                     |
|                 | 37             | 1                    | 1            | 1134-4017-01      | Arm- farthållare.....     | Lever- cruise control ..... |              |                     |
|                 | 38             | 1                    | 1            | 1134-1565-01      | Distans .....             | Spacer.....                 |              |                     |
|                 | 39             | 1                    | 1            | 9997-0850-16      | Skruv .....               | Screw .....                 |              |                     |
|                 | 40             | 1                    | 1            | 9699-0056-02      | Planbricka.....           | Flat washer.....            |              |                     |
|                 | 41             | 1                    | 1            | 9739-0831-22      | Mutter.....               | Nut .....                   |              |                     |
| X               | 42             | 1                    | 1            | 1134-5646-01      | Plåt- farthållare .....   | Plate- cruise control ..... |              |                     |
|                 | 43             | 1                    | 1            | 1134-2859-01      | Magnet kpl.....           | Magneto assy.....           |              |                     |
|                 | 44             | 1                    | 1            | 1134-2858-01      | • Fjäder.....             | • Spring .....              |              |                     |
|                 | 45             | 2                    | 2            | 9959-0816-16      | Skruv .....               | Screw .....                 |              |                     |
|                 | 46             | 2                    | 2            | 9739-0831-22      | Mutter.....               | Nut .....                   |              |                     |
|                 | 47             | 1                    | 1            | 1134-4021-01      | Stag- farthållare .....   | Rod- cruise control .....   |              |                     |
|                 | 48             | 2                    | 2            | 9675-0012-02      | Starlock .....            | Locking washer.....         |              |                     |
|                 | 49             | 1                    | 1            | 1134-5101-01      | Bromsstång .....          | Brake rod .....             |              |                     |
|                 | 50             | 1                    | 1            | 1134-3808-01      | Knopp.....                | Knob .....                  |              |                     |
|                 | 51             | 1                    | 1            | 1131-1497-01      | Fjäder.....               | Spring .....                |              |                     |
|                 | 52             | 1                    | 1            | 1134-4002-01      | Fäste .....               | Brake rod attachment.....   |              |                     |
|                 | 53             | 1                    | 1            | 1134-4944-01      | Plåt.....                 | Stop plate.....             |              |                     |
|                 | 54             | 3                    | 3            | 9838-9516-12      | Skruv .....               | Screw .....                 |              |                     |
|                 | 55             | 2                    | 2            | 9747-0531-02      | Mutter.....               | Nut .....                   |              |                     |



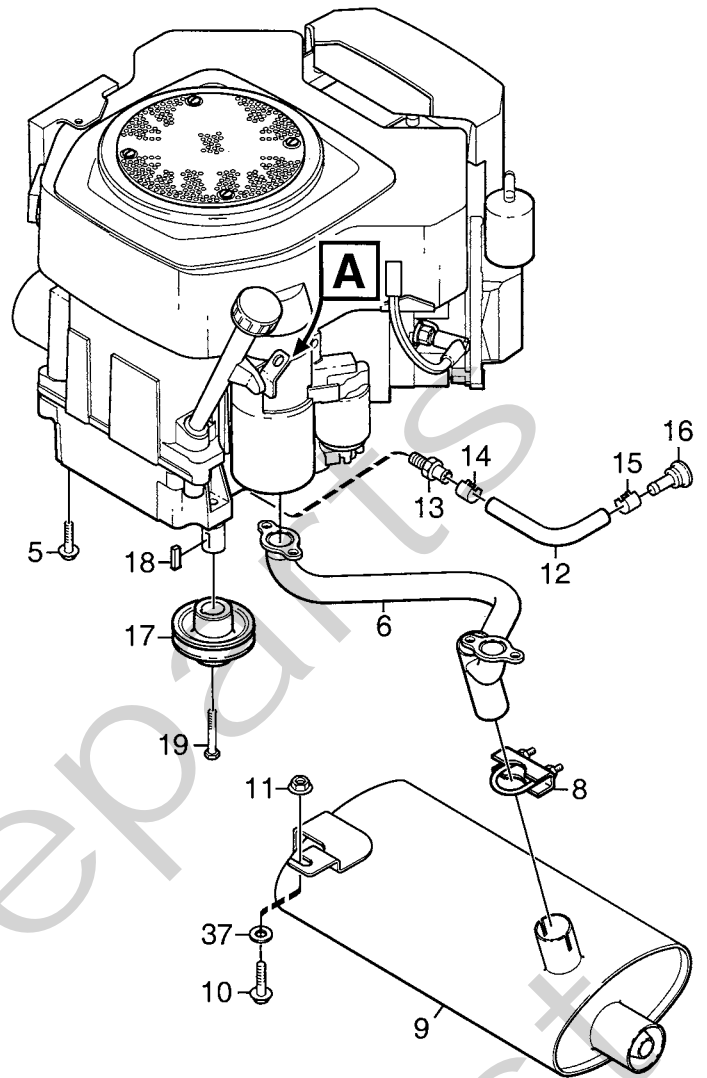
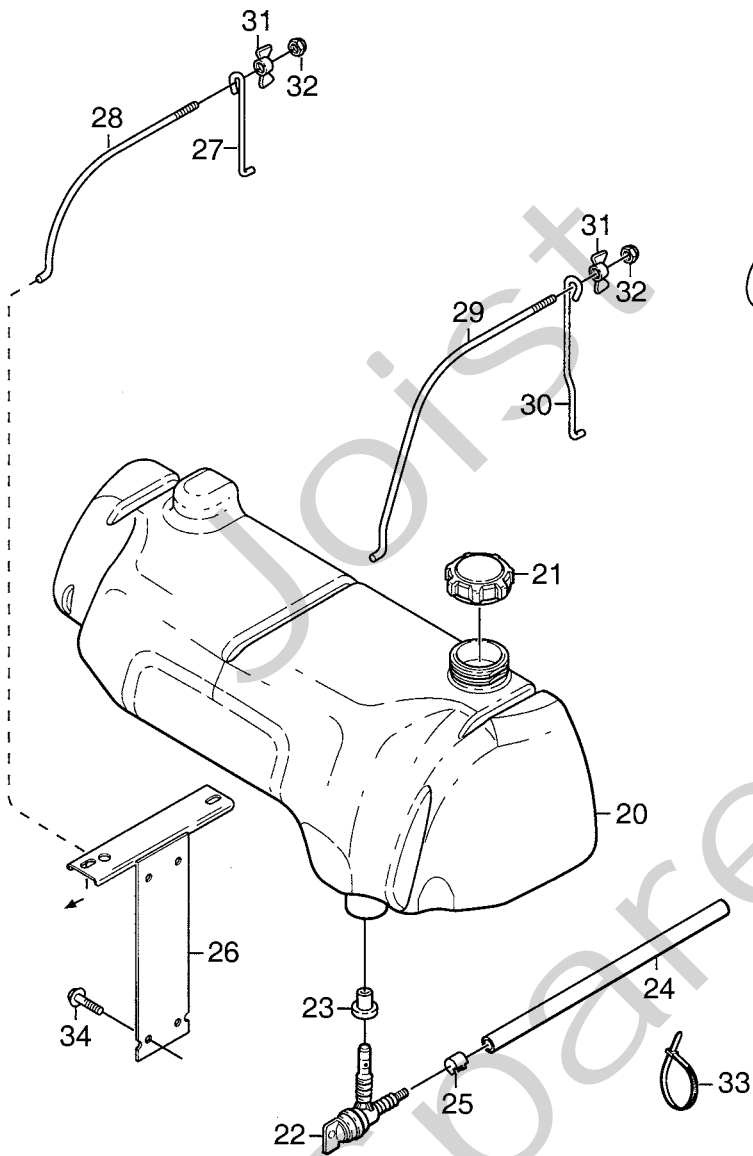
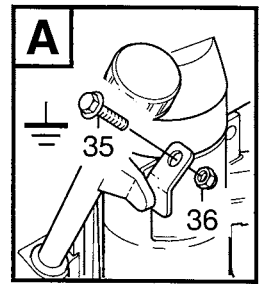
| Utgåva<br>Issue |                | Bildnr<br>Picture No |              |                   | PARK 4WD<br>ELUTRUSTNING |                          | PARK 4WD<br>EL. EQUIPMENT |                     | Sida<br>Page |  |
|-----------------|----------------|----------------------|--------------|-------------------|--------------------------|--------------------------|---------------------------|---------------------|--------------|--|
| 2005-11         |                | 1800                 |              |                   |                          |                          |                           |                     | 114          |  |
| Pos.<br>Fig.    | Antal/Quantity |                      |              | Art nr<br>Part No | Benämning                | Description              | Sats<br>Kit               | Anmärkning<br>Notes |              |  |
|                 | 6125           | 6241                 | 6244<br>6246 |                   |                          |                          |                           |                     |              |  |
| X               | 1              | 1                    | 1            | 1                 | 1134-5751-01             | Batteri.....             | Battery .....             | 12V - 24Ah          |              |  |
| X               | 2              | 1                    | 1            | 1                 | 1134-5643-01             | Batteriplåt .....        | Battery plate .....       |                     |              |  |
| X               | 3              | 1                    | 1            | 1                 | 1134-5642-01             | Batteribygel .....       | Battery loop .....        |                     |              |  |
|                 | 4              | 1                    | 1            | 1                 | 9699-0060-02             | Planbricka .....         | Flat washer .....         |                     |              |  |
|                 | 5              | 1                    | 1            | 1                 | 9747-0631-02             | Låsmutter .....          | Lock nut .....            |                     |              |  |
|                 | 6              | 1                    | 1            | 1                 | 1134-2962-01             | Solenoid kpl .....       | Solenoid assy .....       |                     |              |  |
|                 | 6A             | 2                    | 2            | 2                 | 9794-5131-02             | • Mutter .....           | • Nut .....               |                     |              |  |
|                 | 7              | 1                    | 1            | 1                 | 9838-9516-12             | Skruv .....              | Screw .....               |                     |              |  |
|                 | 8              | 1                    | 1            | 1                 | 9699-0060-02             | Planbricka .....         | Flat washer .....         |                     |              |  |
|                 | 9              | 1                    | 1            | 1                 | 1134-3491-01             | Säkringshållare .....    | Fuse holder .....         |                     |              |  |
|                 | 10             | 2                    | 2            | 2                 | 9838-9516-12             | Skruv .....              | Screw .....               |                     |              |  |
|                 | 11             | 1                    | 1            | 1                 | 1134-3496-01             | Säkring .....            | Fuse .....                | 10A<br>20A<br>30A   |              |  |
|                 | 11             | 1                    | 1            | 1                 | 1134-3496-06             | Säkring .....            | Fuse .....                |                     |              |  |
|                 | 11             | 1                    | 1            | 1                 | 1134-3496-07             | Säkring .....            | Fuse .....                |                     |              |  |
|                 | 12             | 1                    | 1            | 1                 | 1134-3631-01             | Lock-säkringsdosa .....  | Cover-fuse holder .....   |                     |              |  |
|                 | 14             | 1                    | 1            | 1                 | 1134-3399-01             | Brytare .....            | Switch .....              |                     |              |  |
|                 | 14             | 1                    | 1            | 1                 | 1134-3399-02             | Brytare .....            | Switch .....              |                     |              |  |
|                 | 15             | 2                    | 2            | 2                 | 9943-0516-16             | Skruv .....              | Screw .....               |                     |              |  |
|                 | 16             | 1                    | 1            | 1                 | 1134-4172-01             | Strålkastare kpl .....   | Headlamp assy .....       |                     |              |  |
|                 | 16A            | 1                    | 1            | 1                 | 9400-0293-01             | • Glödlampa .....        | • Bulb .....              | 12V - 21W           |              |  |
|                 | 17             | 2                    | 2            | 2                 | 9849-7819-16             | Skruv .....              | Screw .....               |                     |              |  |
|                 | 18             | 2                    | 2            | 2                 | 1134-4177-01             | Clips .....              | Clips .....               |                     |              |  |
|                 | 19             | 1                    | 1            | 1                 | 1134-4056-01             | Honkontakt .....         | Female terminal .....     |                     |              |  |
|                 | 20             | 1                    | 1            | 1                 | 1134-4052-01             | Stödbricka .....         | Support washer .....      |                     |              |  |
|                 | 21             | 2                    | 2            | 2                 | 9840-7716-16             | Skruv .....              | Screw .....               |                     |              |  |
|                 | 22             | 1                    | 1            | 1                 | 1134-4970-01             | Kabel .....              | Cable .....               |                     |              |  |
|                 | 23             | 1                    | 1            | 1                 | 1134-0234-02             | Batterikabel ( + ) ..... | Battery cable ( + ) ..... |                     |              |  |
|                 | 24             | 1                    | 1            | 1                 | 1134-2310-01             | Batteriskydd .....       | Guard cap .....           |                     |              |  |
|                 | 26             | 7                    | 10           | 10                | 9579-0003-00             | Buntband .....           | Cable holder .....        |                     |              |  |
|                 | 27             | 1                    | 1            | 1                 | 9632-0522-00             | Popnit .....             | Pop rivet .....           |                     |              |  |
|                 | 28             | 2                    | 2            | 2                 | 9400-0231-00             | Kabelskarv .....         | Splicer .....             |                     |              |  |
| X               | 30             | 1                    |              |                   | 1134-5804-01             | Kablage .....            | Harness .....             |                     |              |  |
| X               | 30             |                      | 1            | 1                 | 1134-5805-01             | Kablage .....            | Harness .....             |                     |              |  |
| X               | 31             |                      | 1            | 1                 | 1134-5849-01             | Kabel .....              | Cable .....               |                     |              |  |



| Utgåva<br>Issue |                | Bildnr<br>Picture No |  | PARK 4WD<br>PRESTIGE<br>MOTOR |                          | PARK 4WD<br>PRESTIGE<br>ENGINE |             | Sida<br>Page        |  |
|-----------------|----------------|----------------------|--|-------------------------------|--------------------------|--------------------------------|-------------|---------------------|--|
| 2005-11         |                | 1801                 |  |                               |                          |                                |             | 116                 |  |
| Pos.<br>Fig.    | Antal/Quantity |                      |  | Art nr<br>Part No             | Benämning                | Description                    | Sats<br>Kit | Anmärkning<br>Notes |  |
|                 | 6125           |                      |  |                               |                          |                                |             |                     |  |
| X               | 4              | 1                    |  | 1134-5639-02                  | Luftkanal.....           | Air duct .....                 |             | Ø = 221, H = 15 mm  |  |
| X               | 5              | 4                    |  | 9955-3725-16                  | Skruv .....              | Screw .....                    |             |                     |  |
| X               | 6              | 1                    |  | 1134-5679-01                  | Grenrör .....            | Exhaust pipe .....             |             |                     |  |
|                 | 8              | 1                    |  | 9578-0011-00                  | Ljuddämparklämma.....    | Clamp.....                     |             |                     |  |
| X               | 9              | 1                    |  | 1134-5667-01                  | Ljuddämpare .....        | Muffler .....                  |             |                     |  |
|                 | 10             | 1                    |  | 9959-0820-16                  | Skruv .....              | Screw .....                    |             |                     |  |
|                 | 11             | 1                    |  | 9739-0831-22                  | Mutter.....              | Nut .....                      |             |                     |  |
| X               | 12             | 1                    |  | 1134-5827-02                  | Oljeavtappning kpl ..... | Oil drain assy .....           |             |                     |  |
| X               | 13             | 1                    |  | 1134-5825-01                  | • Nippel .....           | • Nipple.....                  |             |                     |  |
|                 | 14             | 1                    |  | 9578-0023-04                  | • Slangklämma.....       | • Hose clamp .....             |             |                     |  |
|                 | 15             | 1                    |  | 1134-3499-02                  | • Slangklämma.....       | • Hose clamp .....             |             |                     |  |
| X               | 16             | 1                    |  | 1134-5826-01                  | • Plugg .....            | • Plug.....                    |             |                     |  |
| X               | 17             | 1                    |  | 1134-5937-01                  | Motorremskiva .....      | Engine belt pulley.....        |             |                     |  |
|                 | 18             | 1                    |  | 9600-0251-00                  | Plattkil .....           | Key .....                      |             |                     |  |
| X               | 19             | 1                    |  | 9987-5364-12                  | Skruv .....              | Screw .....                    |             |                     |  |
| X               | 20             | 1                    |  | 1134-5644-01                  | Bensintank .....         | Fuel tank .....                | 14 Liter    |                     |  |
| X               | 21             | 1                    |  | 1134-5532-01                  | Tanklock .....           | Fuel tank cap .....            |             |                     |  |
|                 | 22             | 1                    |  | 1134-3224-01                  | Bensinkran.....          | Fuel shut-off valve .....      |             |                     |  |
|                 | 23             | 1                    |  | 1134-3225-01                  | Gummibussning .....      | Grommet.....                   |             |                     |  |
|                 | 24             | 1                    |  | 1134-2975-05                  | Bensinslang .....        | Fuel hose .....                | L = 460 mm  |                     |  |
|                 | 25             | 2                    |  | 9578-0023-02                  | Slangklämma.....         | Hose clamp .....               |             |                     |  |
| X               | 26             | 1                    |  | 1134-5615-01                  | Tankkonsol .....         | Tank bracket .....             |             |                     |  |
| X               | 27             | 1                    |  | 1134-5621-01                  | Tankbygel .....          | Tank loop .....                |             |                     |  |
| X               | 28             | 1                    |  | 1134-5622-01                  | Tankbygel .....          | Tank loop .....                |             |                     |  |
| X               | 29             | 1                    |  | 1134-5623-01                  | Tankbygel .....          | Tank loop .....                |             |                     |  |
| X               | 30             | 1                    |  | 1134-5765-01                  | Tankbygel .....          | Tank loop .....                |             |                     |  |
|                 | 31             | 2                    |  | 1134-4481-02                  | Vingmutter.....          | Wing nut .....                 |             |                     |  |
|                 | 32             | 2                    |  | 9747-0631-02                  | Låsmutter .....          | Lock nut .....                 |             |                     |  |
|                 | 33             | 1                    |  | 9579-0003-00                  | Buntband .....           | Cable holder .....             |             |                     |  |
|                 | 34             | 2                    |  | 9945-0816-16                  | Skruv .....              | Screw .....                    |             |                     |  |
|                 | 35             | 1                    |  | 9893-0616-16                  | Skruv .....              | Screw .....                    |             |                     |  |
|                 | 37             | 1                    |  | 9699-0056-02                  | Planbricka.....          | Flat washer.....               |             |                     |  |

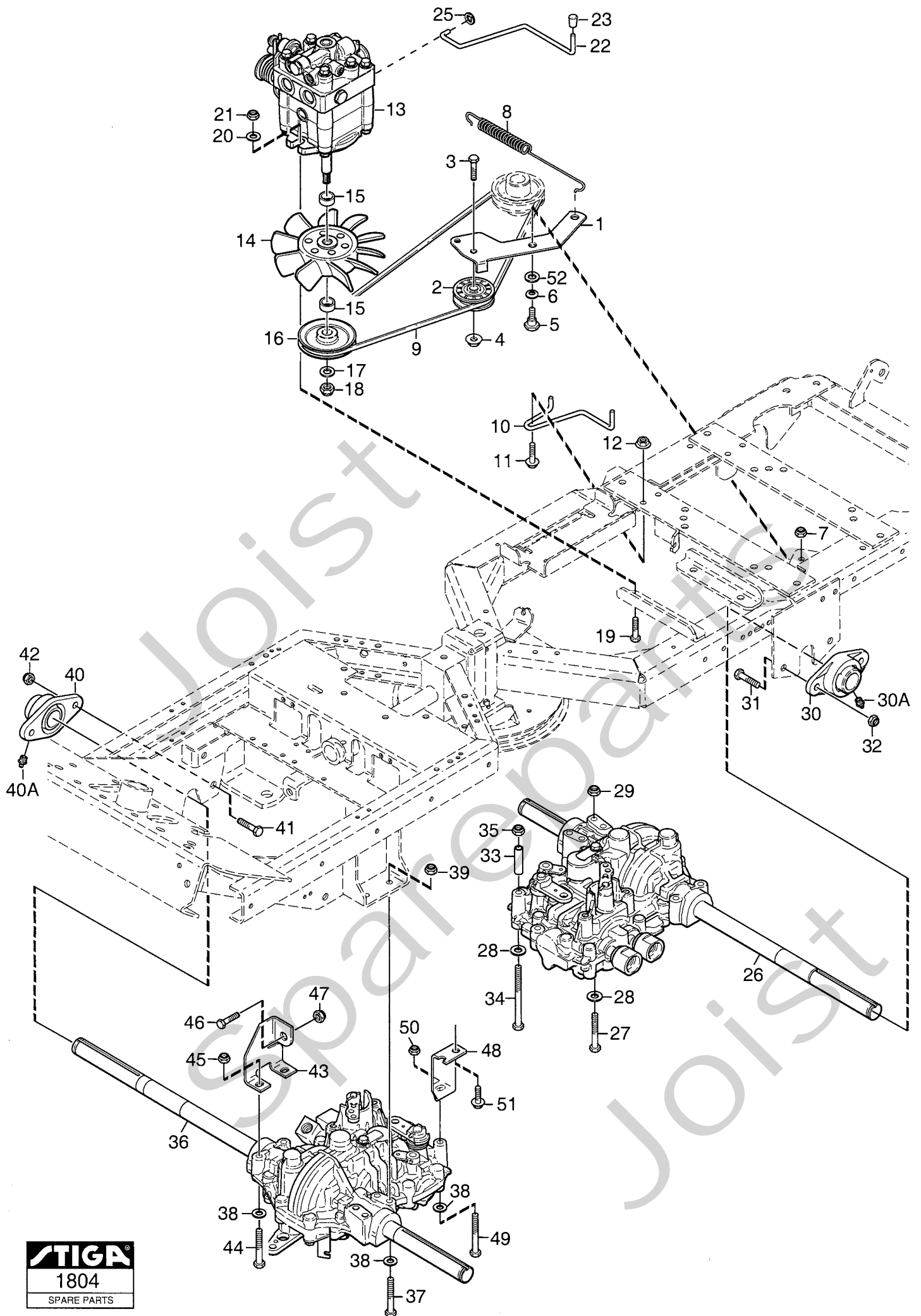


| Utgåva<br>Issue |                | Bildnr<br>Picture No |   | PARK 4WD<br>PRO 16- PRO 20<br>MOTOR |                          | PARK 4WD<br>PRO 16- PRO 20<br>ENGINE |             | Sida<br>Page                            |  |
|-----------------|----------------|----------------------|---|-------------------------------------|--------------------------|--------------------------------------|-------------|---|--|
| 2005- 11        |                | 1802                 |   |                                     |                          |                                      |             | 118                                     |  |
| Pos.<br>Fig.    | Antal/Quantity |                      |   | Art nr<br>Part No                   | Benämning                | Description                          | Sats<br>Kit | Anmärkning<br>Notes                     |  |
|                 | 6241           | 6244                 |   |                                     |                          |                                      |             |   |  |
|                 | 1              |                      |   | 1134-2878-01                        | Fläktskydd .....         | Fan cover .....                      |             |   |  |
|                 | 2              | 4                    |   | 9997-0512-16                        | Skruv .....              | Screw .....                          |             |   |  |
|                 | 3              | 4                    |   | 9699-0099-02                        | Bricka .....             | Washer .....                         |             |   |  |
| X               | 4A             | 1                    |   | 1134-5639-04                        | Luftkanal .....          | Air duct .....                       |             | Ø = 200, H = 45 mm<br>Ø = 215, H = 6 mm |  |
| X               | 4B             |                      | 1 | 1134-5639-01                        | Luftkanal .....          | Air duct .....                       |             |   |  |
| X               | 5              | 4                    | 4 | 9955-3725-16                        | Skruv .....              | Screw .....                          |             |   |  |
| X               | 6              | 1                    | 1 | 1134-5733-01                        | Grenrör .....            | Exhaust pipe .....                   |             |   |  |
|                 | 7              | 4                    | 4 | 9939-0820-16                        | Skruv .....              | Screw .....                          |             |   |  |
|                 | 8              | 1                    | 1 | 9578-0011-00                        | Ljuddämparklämma .....   | Clamp .....                          |             |   |  |
| X               | 9              | 1                    | 1 | 1134-5667-01                        | Ljuddämpare .....        | Muffler .....                        |             |   |  |
|                 | 10             | 1                    | 1 | 9959-0820-16                        | Skruv .....              | Screw .....                          |             |   |  |
|                 | 11             | 1                    | 1 | 9739-0831-22                        | Mutter .....             | Nut .....                            |             |   |  |
| X               | 12             | 1                    | 1 | 1134-5827-01                        | Oljeavtappning kpl ..... | Oil drain assy .....                 |             |   |  |
| X               | 13             | 1                    | 1 | 1134-5825-01                        | • Nippel .....           | • Nipple .....                       |             |   |  |
|                 | 14             | 1                    | 1 | 9578-0023-04                        | • Slangklämma .....      | • Hose clamp .....                   |             |   |  |
|                 | 15             | 1                    | 1 | 1134-3499-02                        | • Slangklämma .....      | • Hose clamp .....                   |             |   |  |
| X               | 16             | 1                    | 1 | 1134-5826-01                        | • Plugg .....            | • Plug .....                         |             |   |  |
| X               | 17             | 1                    | 1 | 1134-5865-01                        | Motorremskiva .....      | Engine belt pulley .....             |             |   |  |
|                 | 18             | 1                    | 1 | 9600-0251-00                        | Plattkil .....           | Key .....                            |             |   |  |
|                 | 19             | 1                    | 1 | 9987-5357-12                        | Skruv .....              | Screw .....                          |             |   |  |
| X               | 20             | 1                    | 1 | 1134-5644-01                        | Bensintank .....         | Fuel tank .....                      |             | 14 Liter                                |  |
| X               | 21             | 1                    | 1 | 1134-5532-01                        | Tanklock .....           | Fuel tank cap .....                  |             |   |  |
|                 | 22             | 1                    | 1 | 1134-3224-01                        | Bensinkran .....         | Fuel shut-off valve .....            |             |   |  |
|                 | 23             | 1                    | 1 | 1134-3225-01                        | Gummibussning .....      | Grommet .....                        |             |   |  |
|                 | 24             | 1                    | 1 | 1134-2975-08                        | Bensinslang .....        | Fuel hose .....                      |             | L = 580 mm                              |  |
|                 | 25             | 2                    | 2 | 9578-0023-02                        | Slangklämma .....        | Hose clamp .....                     |             |   |  |
| X               | 26             | 1                    | 1 | 1134-5615-01                        | Tankkonsol .....         | Tank bracket .....                   |             |   |  |
| X               | 27             | 1                    | 1 | 1134-5621-01                        | Tankbygel .....          | Tank loop .....                      |             |   |  |
| X               | 28             | 1                    | 1 | 1134-5622-01                        | Tankbygel .....          | Tank loop .....                      |             |   |  |
| X               | 29             | 1                    | 1 | 1134-5623-01                        | Tankbygel .....          | Tank loop .....                      |             |   |  |
| X               | 30             | 1                    | 1 | 1134-5765-01                        | Tankbygel .....          | Tank loop .....                      |             |   |  |
|                 | 31             | 2                    | 2 | 1134-4481-02                        | Vingmutter .....         | Wing nut .....                       |             |   |  |
|                 | 32             | 2                    | 2 | 9747-0631-02                        | Låsmutter .....          | Lock nut .....                       |             |   |  |
|                 | 33             | 1                    | 1 | 9579-0003-00                        | Buntband .....           | Cable holder .....                   |             |   |  |
|                 | 34             | 2                    | 2 | 9945-0816-16                        | Skruv .....              | Screw .....                          |             |   |  |
|                 | 35             | 1                    | 1 | 9939-0820-16                        | Skruv .....              | Screw .....                          |             |   |  |
|                 | 37             | 1                    | 1 | 9699-0056-02                        | Planbricka .....         | Flat washer .....                    |             |   |  |

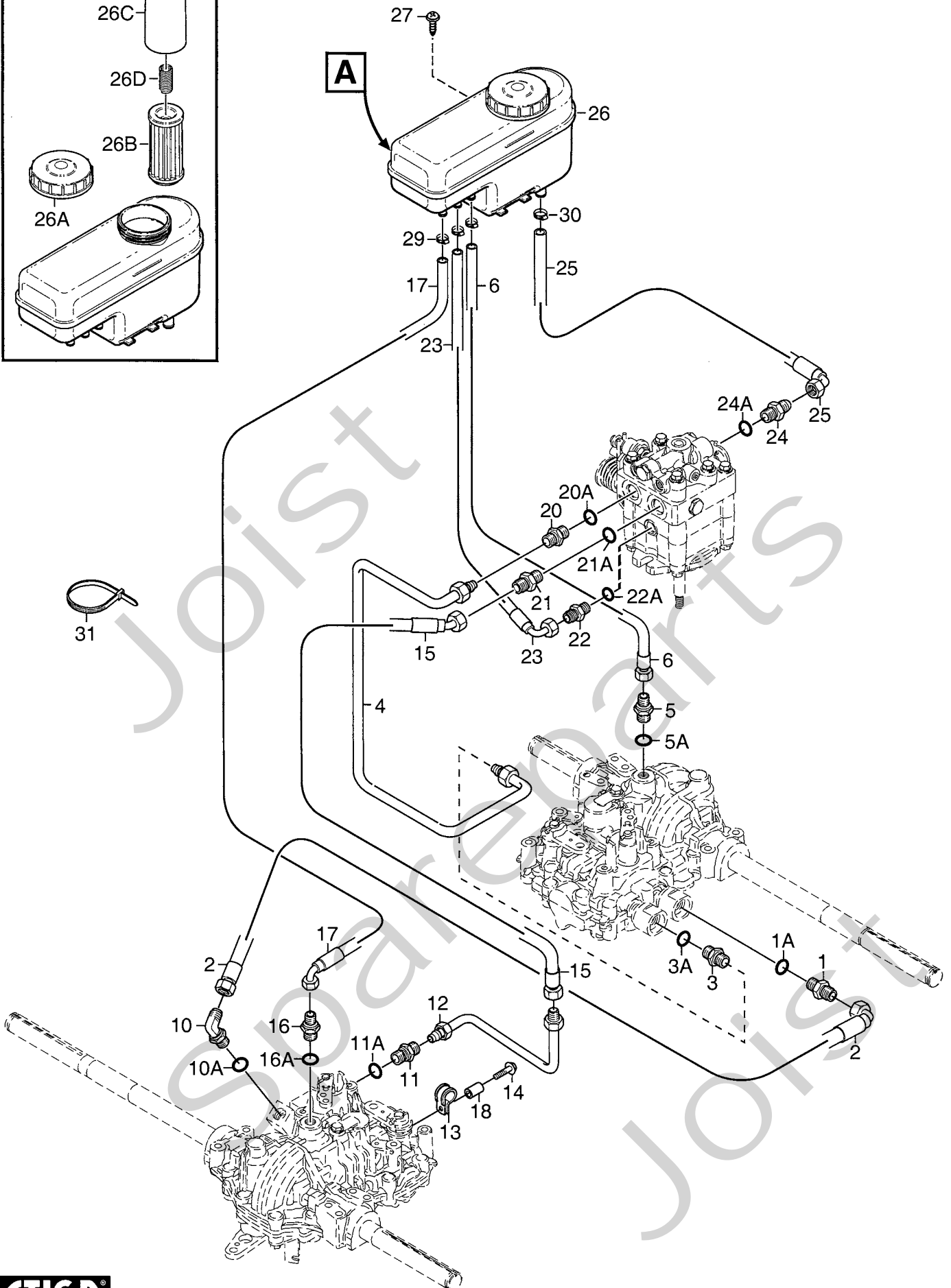
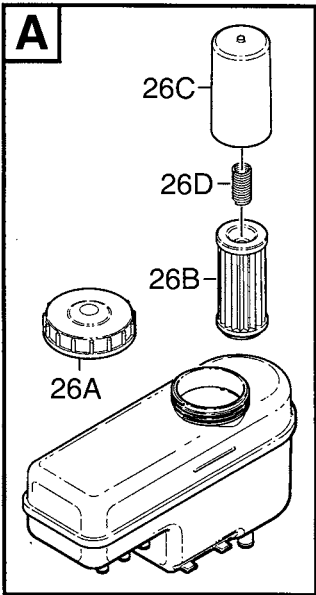




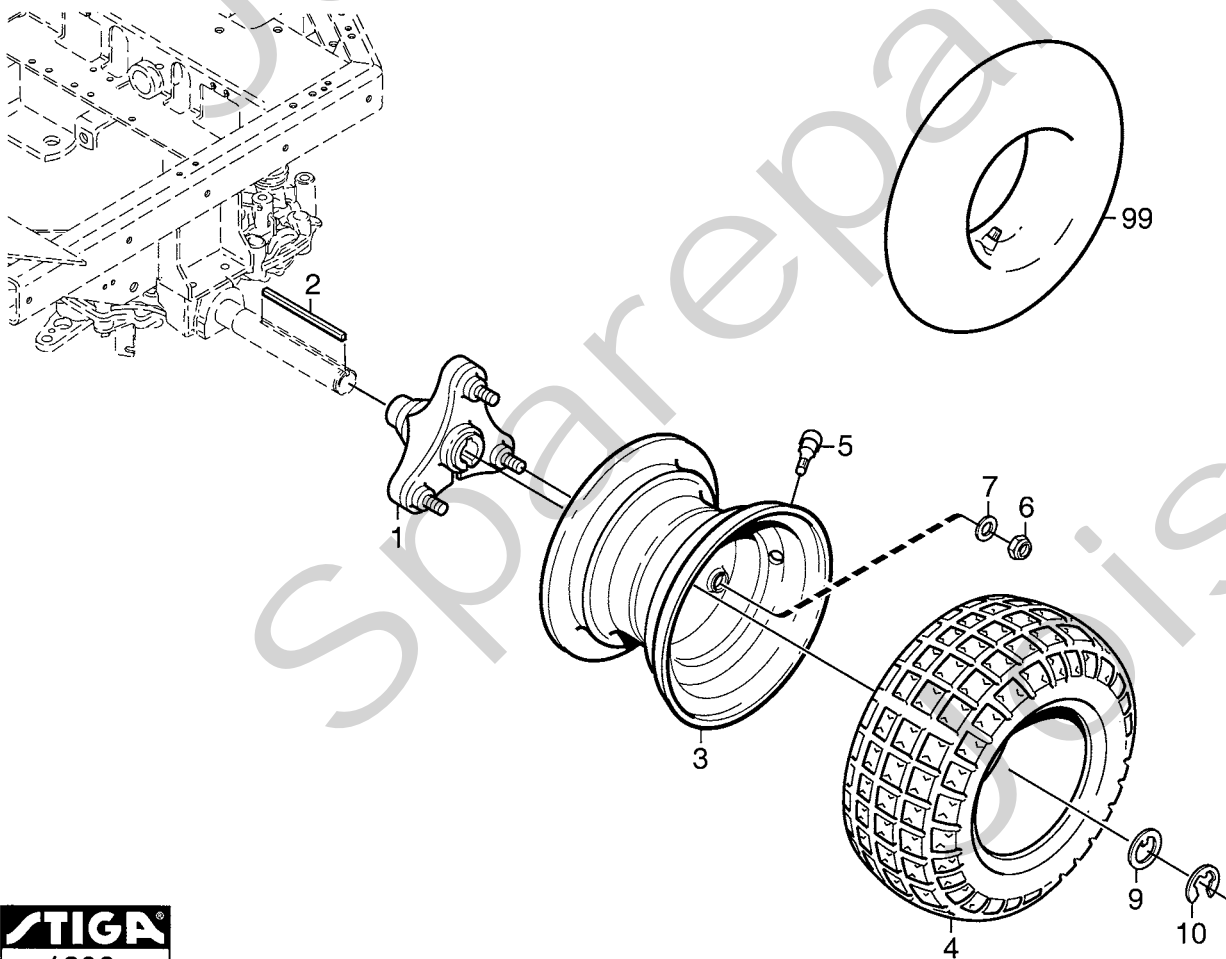
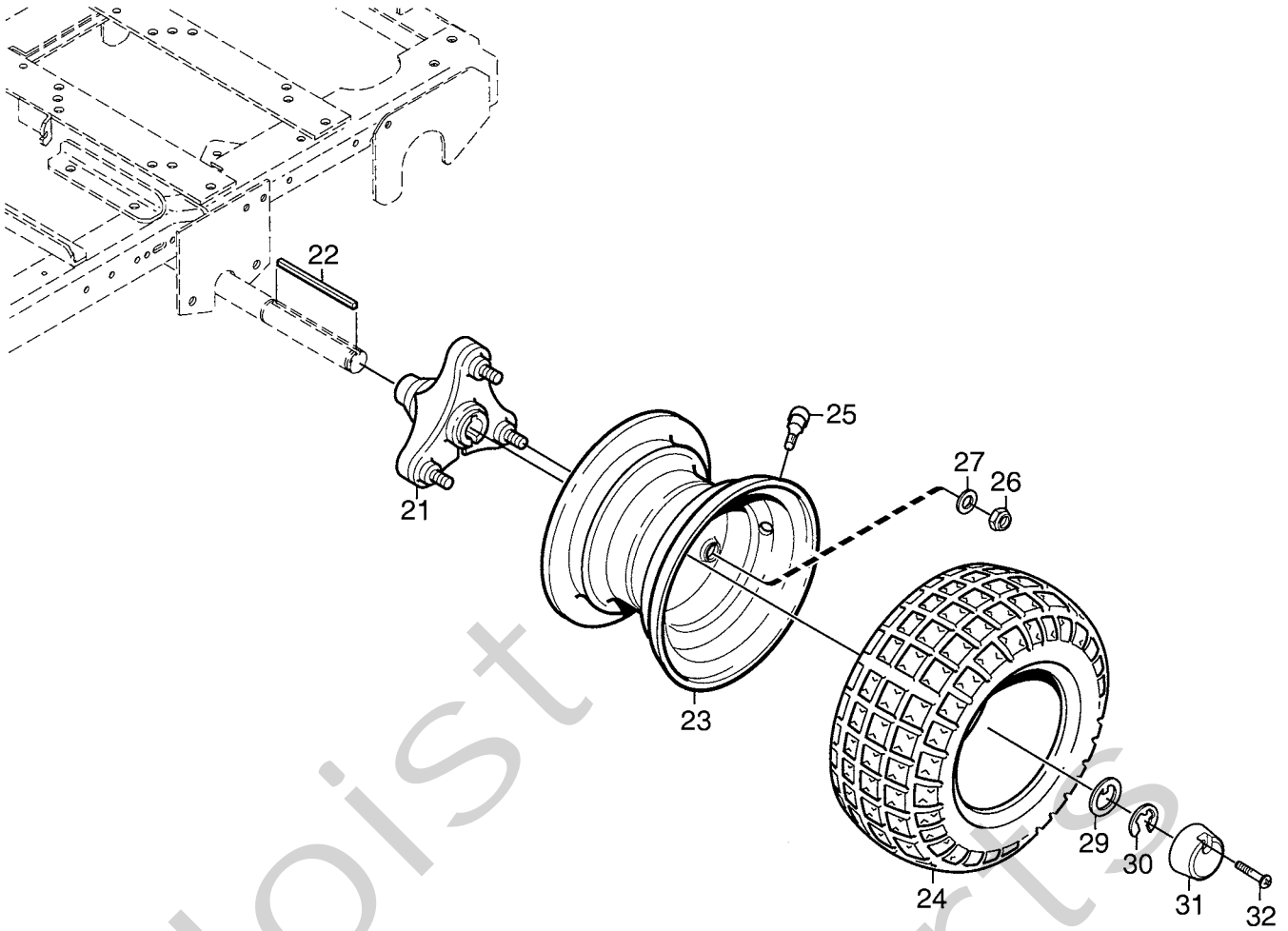
| Utgåva<br>Issue |                | Bildnr<br>Picture No |  | PARK 4WD<br>PRO 25<br>MOTOR |                          | PARK 4WD<br>PRO 25<br>ENGINE |             | Sida<br>Page        |  |
|-----------------|----------------|----------------------|--|-----------------------------|--------------------------|------------------------------|-------------|---------------------|--|
| 2005-11         |                | 1803                 |  |                             |                          |                              |             | 120                 |  |
| Pos.<br>Fig.    | Antal/Quantity |                      |  | Art nr<br>Part No           | Benämning                | Description                  | Sats<br>Kit | Anmärkning<br>Notes |  |
|                 | 6246           |                      |  |                             |                          |                              |             |                     |  |
| X               | 5              | 4                    |  | 9955-3725-16                | Skruv .....              | Screw .....                  |             |                     |  |
| X               | 6              | 1                    |  | 1134-5726-01                | Grenrör .....            | Exhaust pipe .....           |             |                     |  |
|                 | 8              | 1                    |  | 9578-0011-00                | Ljuddämparklämma .....   | Clamp .....                  |             |                     |  |
| X               | 9              | 1                    |  | 1134-5667-01                | Ljuddämpare .....        | Muffler .....                |             |                     |  |
|                 | 10             | 1                    |  | 9959-0820-16                | Skruv .....              | Screw .....                  |             |                     |  |
|                 | 11             | 1                    |  | 9739-0831-22                | Mutter .....             | Nut .....                    |             |                     |  |
| X               | 12             | 1                    |  | 1134-5827-02                | Oljeavtappning kpl ..... | Oil drain assy .....         |             |                     |  |
| X               | 13             | 1                    |  | 1134-5825-01                | • Nippel .....           | • Nipple .....               |             |                     |  |
|                 | 14             | 1                    |  | 9578-0023-04                | • Slangklämma .....      | • Hose clamp .....           |             |                     |  |
|                 | 15             | 1                    |  | 1134-3499-02                | • Slangklämma .....      | • Hose clamp .....           |             |                     |  |
| X               | 16             | 1                    |  | 1134-5826-01                | • Plugg .....            | • Plug .....                 |             |                     |  |
| X               | 17             | 1                    |  | 1134-5866-01                | Motorremskiva .....      | Engine belt pulley .....     |             |                     |  |
|                 | 18             | 1                    |  | 9600-0251-00                | Plattkil .....           | Key .....                    |             |                     |  |
| X               | 19             | 1                    |  | 9987-5376-12                | Skruv .....              | Screw .....                  |             |                     |  |
| X               | 20             | 1                    |  | 1134-5644-01                | Bensintank .....         | Fuel tank .....              |             | 14 Liter            |  |
| X               | 21             | 1                    |  | 1134-5532-01                | Tanklock .....           | Fuel tank cap .....          |             |                     |  |
|                 | 22             | 1                    |  | 1134-3224-01                | Bensinkran .....         | Fuel shut-off valve .....    |             |                     |  |
|                 | 23             | 1                    |  | 1134-3225-01                | Gummibussning .....      | Grommet .....                |             |                     |  |
|                 | 24             | 1                    |  | 1134-2975-04                | Bensinslang .....        | Fuel line .....              |             | L = 710 mm          |  |
|                 | 25             | 2                    |  | 9578-0023-02                | Slangklämma .....        | Hose clamp .....             |             |                     |  |
| X               | 26             | 1                    |  | 1134-5615-01                | Tankkonsol .....         | Tank bracket .....           |             |                     |  |
| X               | 27             | 1                    |  | 1134-5621-01                | Tankbygel .....          | Tank loop .....              |             |                     |  |
| X               | 28             | 1                    |  | 1134-5622-01                | Tankbygel .....          | Tank loop .....              |             |                     |  |
| X               | 29             | 1                    |  | 1134-5623-01                | Tankbygel .....          | Tank loop .....              |             |                     |  |
| X               | 30             | 1                    |  | 1134-5765-01                | Tankbygel .....          | Tank loop .....              |             |                     |  |
|                 | 31             | 2                    |  | 1134-4481-02                | Vingmutter .....         | Wing nut .....               |             |                     |  |
|                 | 32             | 2                    |  | 9747-0631-02                | Låsmutter .....          | Lock nut .....               |             |                     |  |
|                 | 33             | 1                    |  | 9579-0003-00                | Buntband .....           | Cable holder .....           |             |                     |  |
|                 | 34             | 2                    |  | 9945-0816-16                | Skruv .....              | Screw .....                  |             |                     |  |
|                 | 35             | 1                    |  | 9959-0820-16                | Skruv .....              | Screw .....                  |             |                     |  |
|                 | 36             | 1                    |  | 9747-0831-02                | Mutter .....             | Lock nut .....               |             |                     |  |
|                 | 37             | 1                    |  | 9699-0056-02                | Planbricka .....         | Flat washer .....            |             |                     |  |



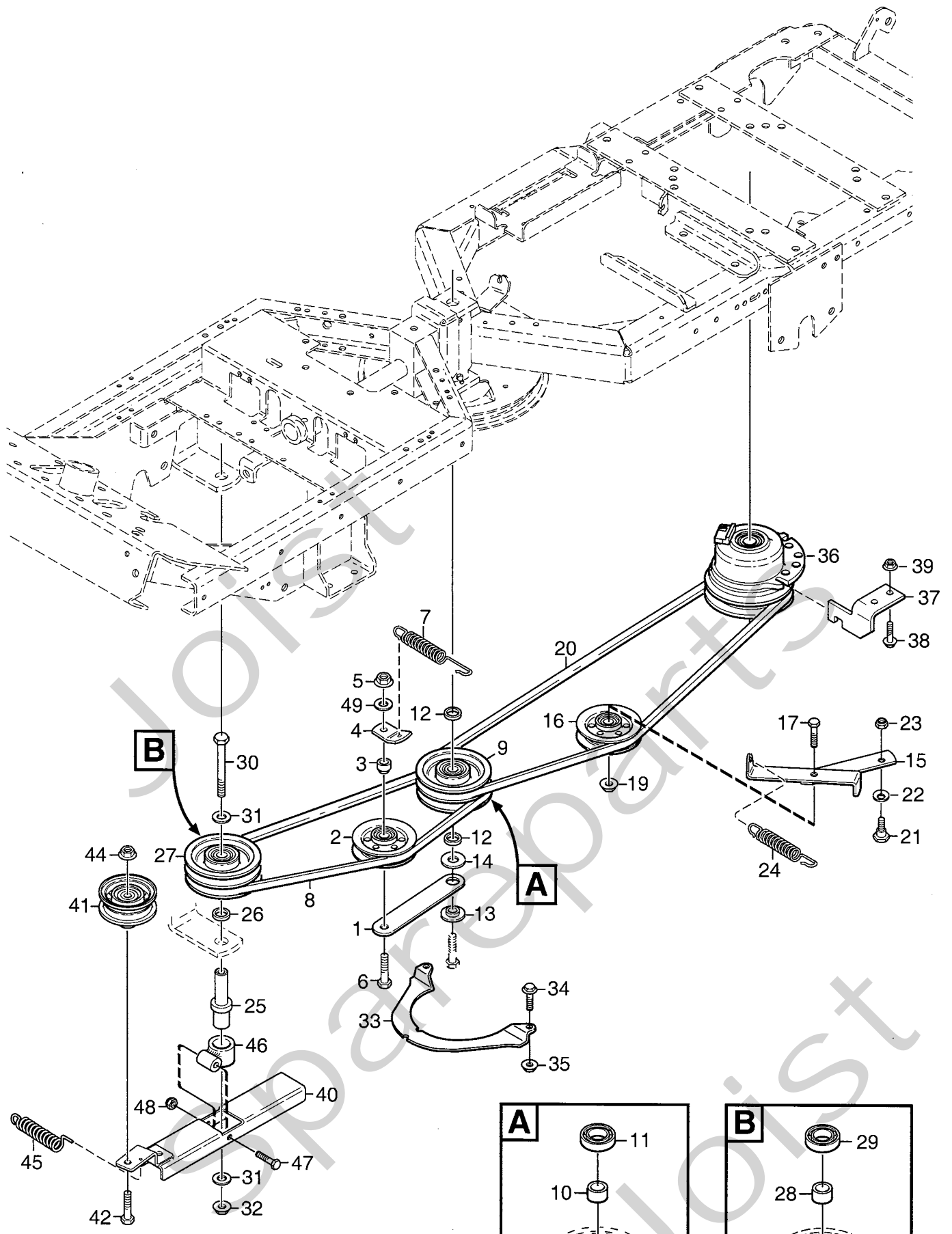
| Utgåva<br>Issue |                | Bildnr<br>Picture No |      | PARK 4WD<br>TRANSMISSION<br>(mekaniska delar) |                   | PARK 4WD<br>TRANSMISSION<br>(mechanical parts) |                           | Sida<br>Page |                     |
|-----------------|----------------|----------------------|------|---|-------------------|--|---------------------------|--------------|---------------------|
| 2005- 11        |                | 1804                 |      |   |                   |  |                           | 122          |                     |
| Pos.<br>Fig.    | Antal/Quantity |                      |      |   | Art nr<br>Part No | Benämning                                      | Description               | Sats<br>Kit  | Anmärkning<br>Notes |
|                 | 6125           | 6241                 | 6244 | 6246  |                   |  |                           |              |                     |
| X               | 1              | 1                    |      |   | 1134-5739-01      | Spännarm .....                                 | Tension arm .....         |              |                     |
|                 | 2              | 1                    |      |   | 1134-3459-01      | Spännrulle .....                               | Tension roller .....      |              |                     |
|                 | 3              | 1                    |      |   | 9997-1030-16      | Skruv .....                                    | Screw .....               |              |                     |
|                 | 4              | 1                    |      |   | 9739-1031-22      | Mutter .....                                   | Nut .....                 |              |                     |
|                 | 5              | 1                    |      |   | 1134-0240-00      | Ansattsskruv .....                             | Shoulder screw .....      |              |                     |
|                 | 6              | 1                    |      |   | 9665-0002-00      | Brickfjäder .....                              | Bowed washer .....        |              |                     |
|                 | 7              | 1                    |      |   | 9747-0831-02      | Mutter .....                                   | Lock nut .....            |              |                     |
| X               | 8              | 1                    |      |   | 1134-5713-02      | Fjäder .....                                   | Spring .....              |              |                     |
|                 | 9              | 1                    |      |   | 1134-9058-01      | Drivrem .....                                  | V-belt .....              |              | = 9585-0091-01      |
| X               | 10             | 1                    |      |   | 1134-5764-01      | Remstyrning .....                              | Belt guide .....          |              |                     |
|                 | 11             | 1                    |      |   | 9959-0820-16      | Skruv .....                                    | Screw .....               |              |                     |
|                 | 12             | 1                    |      |   | 9739-0831-22      | Mutter .....                                   | Nut .....                 |              |                     |
| X               | 13             | 1                    |      |   | 1134-5700-01      | Hydraulpump kpl .....                          | Hydraulic pump assy ..... |              |                     |
|                 | 14             | 1                    |      |   | 1134-4190-01      | Fläkt .....                                    | Fan .....                 |              |                     |
| X               | 15             | 2                    |      |   | 1134-5862-01      | Distans .....                                  | Spacer .....              |              |                     |
| X               | 16             | 1                    |      |   | 1134-5821-01      | Remskiva .....                                 | Belt pulley .....         |              |                     |
|                 | 17             | 1                    |      |   | 9699-0030-02      | Planbricka .....                               | Flat washer .....         |              |                     |
|                 | 18             | 1                    |      |   | 9747-1031-02      | Låsmutter .....                                | Lock nut .....            |              |                     |
|                 | 19             | 2                    |      |   | 9997-1040-16      | Skruv .....                                    | Screw .....               |              |                     |
|                 | 20             | 2                    |      |   | 9699-0030-02      | Planbricka .....                               | Flat washer .....         |              |                     |
|                 | 21             | 2                    |      |   | 9747-1031-02      | Låsmutter .....                                | Lock nut .....            |              |                     |
| X               | 22             | 1                    |      |   | 1134-5763-01      | Dragstång .....                                | Pull rod .....            |              |                     |
|                 | 23             | 1                    |      |   | 1134-4014-01      | Plastknopp .....                               | Plastic button .....      |              |                     |
|                 | 25             | 2                    |      |   | 9675-0009-02      | Starlock .....                                 | Starlock .....            |              |                     |
| X               | 26             | 1                    |      |   | 1134-5701-01      | Motoraxel- bak .....                           | Motor shaft- rear .....   |              |                     |
|                 | 27             | 2                    |      |   | 9997-0860-16      | Skruv .....                                    | Screw .....               |              |                     |
|                 | 28             | 3                    |      |   | 9699-0090-02      | Planbricka .....                               | Flat washer .....         |              |                     |
|                 | 29             | 2                    |      |   | 9747-0831-02      | Mutter .....                                   | Lock nut .....            |              |                     |
| X               | 30             | 1                    |      |   | 1134-5703-01      | Flänslagerenhet .....                          | Flange bearing .....      |              |                     |
|                 | 30A            | 1                    |      |   | 9501-0500-00      | • Smörjnippel .....                            | • Grease joint .....      |              |                     |
|                 | 31             | 2                    |      |   | 9997-1040-16      | Skruv .....                                    | Screw .....               |              |                     |
|                 | 32             | 2                    |      |   | 9747-1031-02      | Låsmutter .....                                | Lock nut .....            |              |                     |
| X               | 33             | 1                    |      |   | 1134-1565-15      | Distans .....                                  | Spacer .....              |              |                     |
|                 | 34             | 1                    |      |   | 9997-0812-02      | Skruv .....                                    | Screw .....               |              |                     |
|                 | 35             | 1                    |      |   | 9747-0831-02      | Mutter .....                                   | Lock nut .....            |              |                     |
| X               | 36             | 1                    |      |   | 1134-5702-01      | Motoraxel- fram .....                          | Motor shaft- front .....  |              |                     |
|                 | 37             | 2                    |      |   | 9997-0860-16      | Skruv .....                                    | Screw .....               |              |                     |
|                 | 38             | 5                    |      |   | 9699-0090-02      | Planbricka .....                               | Flat washer .....         |              |                     |
|                 | 39             | 2                    |      |   | 9747-0831-02      | Mutter .....                                   | Lock nut .....            |              |                     |
| X               | 40             | 1                    |      |   | 1134-5703-01      | Flänslagerenhet .....                          | Flange bearing .....      |              |                     |
|                 | 40A            | 1                    |      |   | 9501-0500-00      | • Smörjnippel .....                            | • Grease joint .....      |              |                     |
|                 | 41             | 2                    |      |   | 9997-1040-16      | Skruv .....                                    | Screw .....               |              |                     |
|                 | 42             | 2                    |      |   | 9747-1031-02      | Låsmutter .....                                | Lock nut .....            |              |                     |
| X               | 43             | 1                    |      |   | 1134-5650-01      | Transaxelfäste .....                           | Transaxle bracket .....   |              |                     |
|                 | 44             | 2                    |      |   | 9997-0860-16      | Skruv .....                                    | Screw .....               |              |                     |
|                 | 45             | 2                    |      |   | 9747-0831-02      | Mutter .....                                   | Lock nut .....            |              |                     |
|                 | 46             | 1                    |      |   | 9959-1025-16      | Skruv .....                                    | Screw .....               |              |                     |
|                 | 47             | 1                    |      |   | 9747-1031-02      | Låsmutter .....                                | Lock nut .....            |              |                     |
| X               | 48             | 1                    |      |   | 1134-5670-01      | Reaktionsstag .....                            | Strut .....               |              |                     |
|                 | 49             | 1                    |      |   | 9997-0875-12      | Skruv .....                                    | Screw .....               |              |                     |
|                 | 50             | 1                    |      |   | 9747-0831-02      | Mutter .....                                   | Lock nut .....            |              |                     |
|                 | 51             | 2                    |      |   | 9945-0816-16      | Skruv .....                                    | Screw .....               |              |                     |
|                 | 52             | 1                    |      |   | 1134-4242-01      | Distansbricka .....                            | Spacer washer .....       |              |                     |



| Utgåva<br>Issue |                | Bildnr<br>Picture No |      | PARK 4WD<br>TRANSMISSION<br>(hydrauliska delar) |                                       | PARK 4WD<br>TRANSMISSION<br>(hydraulic parts) |             | Sida<br>Page        |
|-----------------|----------------|----------------------|------|---|---------------------------------------|---|-------------|---------------------|
| 2005- 11        |                | 1805                 |      |   |                                       |   |             | 124                 |
| Pos.<br>Fig.    | Antal/Quantity |                      |      | Art nr<br>Part No                               | Benämning                             | Description                                   | Sats<br>Kit | Anmärkning<br>Notes |
|                 | 6125           | 6241                 | 6244 |   |                                       |   |             |                     |
| X               | 1              | 1                    |      |   | 1134-5810-01 Adapter .....            | Hydraulic coupling .....                      |             | 3/4" x 3/4"         |
| X               | 1 A            | 1                    |      |   | 9404-0029-01 • O-ring .....           | • O-ring .....                                |             |                     |
| X               | 2              | 1                    |      |   | 1134-5754-01 Hydraulslang .....       | Hydraulic tube .....                          |             |                     |
| X               | 3              | 1                    |      |   | 1134-5808-01 Skärringskoppling .....  | Hydraulic coupling .....                      |             | 3/4"                |
| X               | 3 A            | 1                    |      |   | 9404-0029-01 • O-ring .....           | • O-ring .....                                |             |                     |
| X               | 4              | 1                    |      |   | 1134-5814-01 Hydraulrör .....         | Hydraulic tube .....                          |             |                     |
| X               | 5              | 1                    |      |   | 1134-5809-01 Adapter .....            | Hydraulic coupling .....                      |             | 3/4" x 9/16"        |
| X               | 5 A            | 1                    |      |   | 9404-0029-01 • O-ring .....           | • O-ring .....                                |             |                     |
| X               | 6              | 1                    |      |   | 1134-5759-01 Hydraulslang .....       | Hydraulic tube .....                          |             |                     |
| X               | 10             | 1                    |      |   | 1134-5807-01 Vinkeladapter .....      | Hydraulic coupling .....                      |             | 3/4" x 3/4"         |
| X               | 10 A           | 1                    |      |   | 9404-0029-01 • O-ring .....           | • O-ring .....                                |             |                     |
| X               | 11             | 1                    |      |   | 1134-5875-01 Skärringskoppling .....  | Hydraulic coupling .....                      |             | 3/4"                |
| X               | 11 A           | 1                    |      |   | 9404-0029-01 • O-ring .....           | • O-ring .....                                |             |                     |
| X               | 12             | 1                    |      |   | 1134-5873-01 Hydraulrör .....         | Hydraulic tube .....                          |             |                     |
| X               | 13             | 1                    |      |   | 1134-5877-01 Rörklammer .....         | Tube clamp .....                              |             |                     |
| X               | 14             | 1                    |      |   | 9959-0825-16 Skruv .....              | Screw .....                                   |             |                     |
| X               | 15             | 1                    |      |   | 1134-5753-01 Hydraulslang .....       | Hydraulic tube .....                          |             |                     |
| X               | 16             | 1                    |      |   | 1134-5809-01 Adapter .....            | Hydraulic coupling .....                      |             | 3/4" x 9/16"        |
| X               | 16 A           | 1                    |      |   | 9404-0029-01 • O-ring .....           | • O-ring .....                                |             |                     |
| X               | 17             | 1                    |      |   | 1134-5758-01 Hydraulslang .....       | Hydraulic tube .....                          |             |                     |
| X               | 18             | 1                    |      |   | 1134-1565-09 Distans .....            | Spacer .....                                  |             |                     |
| X               | 20             | 1                    |      |   | 1134-5808-01 Skärringskoppling .....  | Hydraulic coupling .....                      |             | 3/4"                |
| X               | 20 A           | 1                    |      |   | 9404-0029-01 • O-ring .....           | • O-ring .....                                |             |                     |
| X               | 21             | 1                    |      |   | 1134-5810-01 Adapter .....            | Hydraulic coupling .....                      |             | 3/4" x 3/4"         |
| X               | 21 A           | 1                    |      |   | 9404-0029-01 • O-ring .....           | • O-ring .....                                |             |                     |
| X               | 22             | 1                    |      |   | 1134-4282-01 Hydraulnippel .....      | Hydraulic nipple .....                        |             | 9/16" x 9/16"       |
| X               | 22 A           | 1                    |      |   | 9404-0028-01 • O-ring .....           | • O-ring .....                                |             |                     |
| X               | 23             | 1                    |      |   | 1134-5758-02 Hydraulslang .....       | Hydraulic tube .....                          |             |                     |
| X               | 24             | 1                    |      |   | 1134-5810-01 Adapter .....            | Hydraulic coupling .....                      |             | 3/4" x 3/4"         |
| X               | 24 A           | 1                    |      |   | 9404-0029-01 • O-ring .....           | • O-ring .....                                |             |                     |
| X               | 25             | 1                    |      |   | 1134-5760-01 Hydraulslang .....       | Hydraulic tube .....                          |             |                     |
| X               | 26             | 1                    |      |   | 1134-5819-01 Hydraultank kpl .....    | Hydraulic oil tank .....                      |             |                     |
| X               | 26 A           | 1                    |      |   | 1134-5965-01 • Tanklock .....         | • Tank cap .....                              |             |                     |
| X               | 26 B           | 1                    |      |   | 1134-5962-01 • Oljefilter .....       | • Oil filter .....                            |             |                     |
| X               | 26 C           | 1                    |      |   | 1134-5963-01 • Hölje-oljefilter ..... | • Cover-filter .....                          |             |                     |
| X               | 26 D           | 1                    |      |   | 1134-5964-01 • Fjäder .....           | • Spring .....                                |             |                     |
| X               | 27             | 1                    |      |   | 9838-9516-12 Skruv .....              | Screw .....                                   |             |                     |
| X               | 29             | 3                    |      |   | 9578-0023-04 Slangklämma .....        | Hose clamp .....                              |             |                     |
| X               | 30             | 1                    |      |   | 9578-0023-05 Slangklämma .....        | Hose clamp .....                              |             |                     |
| X               | 31             | 1                    |      |   | 9579-0003-00 Buntband .....           | Cable holder .....                            |             |                     |



| Utgåva<br>Issue |                | Bildnr<br>Picture No |  | PARK 4WD<br>HJUL  |                   | PARK 4WD<br>WHEELS |             | Sida<br>Page         |  |
|-----------------|----------------|----------------------|--|-------------------|-------------------|--------------------|-------------|----------------------|--|
| 2005- 11        |                | 1806                 |  |                   |                   |                    |             | 126                  |  |
| Pos.<br>Fig.    | Antal/Quantity |                      |  | Art nr<br>Part No | Benämning         | Description        | Sats<br>Kit | Anmärkning<br>Notes  |  |
|                 | 6125           | 6241<br>6244<br>6246 |  |                   |                   |                    |             |                      |  |
| 1               | 2              | 2                    |  | 1134-4844-03      | Hjulnav .....     | Wheel hub .....    |             |                      |  |
| 2               | 2              | 2                    |  | 1134-3383-02      | Kil .....         | Key .....          |             |                      |  |
| 3               | 2              | 2                    |  | 1134-4558-01      | Fälg .....        | Rim .....          |             |                      |  |
| 4               | 2              |                      |  | 9545-0116-00      | Däck .....        | Tyre .....         |             | 16 x 7.50 - 8        |  |
| 4               | 2              | 2                    |  | 9545-0124-01      | Däck .....        | Tyre .....         |             | 17 x 8.00 - 8        |  |
| 5               | 2              | 2                    |  | 9545-0500-00      | Ventil .....      | Valve .....        |             |                      |  |
| 6               | 6              | 6                    |  | 9747-1031-02      | Låsmutter .....   | Lock nut .....     |             |                      |  |
| 7               | 6              | 6                    |  | 9699-0035-02      | Planbricka .....  | Flat washer .....  |             |                      |  |
| X 9             | 2              | 2                    |  | 1134-5797-01      | Bricka .....      | Washer .....       |             |                      |  |
| 10              | 2              | 2                    |  | 9653-0002-04      | Spärryttare ..... | Lock ring .....    |             |                      |  |
| 21              | 2              | 2                    |  | 1134-4844-03      | Hjulnav .....     | Wheel hub .....    |             |                      |  |
| 22              | 2              | 2                    |  | 1134-3383-02      | Kil .....         | Key .....          |             |                      |  |
| 23              | 2              | 2                    |  | 1134-4558-01      | Fälg .....        | Rim .....          |             |                      |  |
| 24              | 2              |                      |  | 9545-0116-00      | Däck .....        | Tyre .....         |             | 16 x 7.50 - 8        |  |
| 24              | 2              | 2                    |  | 9545-0124-01      | Däck .....        | Tyre .....         |             | 17 x 8.00 - 8        |  |
| 25              | 2              | 2                    |  | 9545-0500-00      | Ventil .....      | Valve .....        |             |                      |  |
| 26              | 6              | 6                    |  | 9747-1031-02      | Låsmutter .....   | Lock nut .....     |             |                      |  |
| 27              | 6              | 6                    |  | 9699-0035-02      | Planbricka .....  | Flat washer .....  |             |                      |  |
| X 29            | 2              | 2                    |  | 1134-5797-01      | Bricka .....      | Washer .....       |             |                      |  |
| 30              | 2              | 2                    |  | 9653-0002-04      | Spärryttare ..... | Lock ring .....    |             |                      |  |
| 31              | 2              | 2                    |  | 1134-4796-01      | Navkapsel .....   | Hub cap .....      |             |                      |  |
| 32              | 2              | 2                    |  | 9947-0540-19      | Skruv .....       | Screw .....        |             |                      |  |
| 99              |                |                      |  | 9545-0203-00      | Innerslang .....  | Inner tube .....   |             | Reservdel/spare part |  |





| Utgåva<br>Issue |                      | Bildnr<br>Picture No |   | PARK 4WD<br>KRAFTUTTAG |                           | PARK 4WD<br>POWER TAKE-OFF |             | Sida<br>Page        |  |
|-----------------|----------------------|----------------------|---|------------------------|---------------------------|----------------------------|-------------|---------------------|--|
| 2005- 11        |                      | 1807                 |   |                        |                           |                            |             | 128                 |  |
| Pos.<br>Fig.    | Antal/Quantity       |                      |   | Art nr<br>Part No      | Benämning                 | Description                | Sats<br>Kit | Anmärkning<br>Notes |  |
|                 | 6125<br>6241<br>6244 | 6246                 |   |                        |                           |                            |             |                     |  |
|                 | 1                    | 1                    |   | 1134-1730-01           | Spännhjulssarm .....      | Tension wheel arm .....    |             |                     |  |
|                 | 2                    | 1                    |   | 1134-3663-01           | Spännrulle .....          | Tension wheel .....        |             |                     |  |
| X               | 3                    | 1                    |   | 1134-1888-05           | Distans .....             | Spacer .....               |             |                     |  |
|                 | 4                    | 1                    |   | 1134-1893-01           | Fjäderfäste .....         | Spring attachment .....    |             |                     |  |
|                 | 5                    | 1                    |   | 9739-1031-22           | Mutter .....              | Nut .....                  |             |                     |  |
|                 | 6                    | 1                    |   | 9997-1060-12           | Skruv .....               | Screw .....                |             |                     |  |
| X               | 7                    | 1                    |   | 1134-5713-01           | Dragfjäder .....          | Spring .....               |             |                     |  |
| X               | 8                    | 1                    |   | 1134-9098-01           | Drivrem .....             | V-belt .....               |             | = 9585-0148-01      |  |
| X               | 9                    | 1                    |   | 1134-1769-03           | Centrumremskiva kpl. .... | Centre pulley assy .....   |             |                     |  |
|                 | 10                   | 1                    |   | 1134-0051-09           | • Distans .....           | • Spacer .....             |             |                     |  |
|                 | 11                   | 2                    | 2 | 9549-0019-00           | • Kullager .....          | • Ball bearing .....       |             |                     |  |
|                 | 12                   | 2                    | 2 | 1134-0052-00           | Lagerdistans .....        | Bearing spacer .....       |             |                     |  |
|                 | 13                   | 1                    |   | 1134-0222-00           | Bricka .....              | Washer .....               |             |                     |  |
|                 | 14                   | 1                    |   | 9699-0109-02           | Planbricka .....          | Flat washer .....          |             |                     |  |
| X               | 15                   | 1                    |   | 1134-5742-01           | Spännarm .....            | Tension arm .....          |             |                     |  |
|                 | 16                   | 1                    |   | 1134-3663-01           | Spännrulle .....          | Tension wheel .....        |             |                     |  |
|                 | 17                   | 1                    |   | 9997-1040-12           | Skruv .....               | Screw .....                |             |                     |  |
|                 | 19                   | 1                    |   | 9739-1031-22           | Mutter .....              | Nut .....                  |             |                     |  |
| X               | 20                   | 1                    |   | 1134-9097-01           | Drivrem .....             | V-belt .....               |             | = 9585-0147-01      |  |
|                 | 21                   | 1                    |   | 1134-0240-00           | Ansattsskruv .....        | Shoulder screw .....       |             |                     |  |
|                 | 22                   | 1                    |   | 9665-0002-00           | Brickfjäder .....         | Bowed washer .....         |             |                     |  |
|                 | 23                   | 1                    |   | 9747-0831-02           | Mutter .....              | Lock nut .....             |             |                     |  |
| X               | 24                   | 1                    |   | 1134-5713-03           | Fjäder .....              | Spring .....               |             |                     |  |
| X               | 25                   | 1                    |   | 1134-5663-01           | Axel .....                | Shaft .....                |             |                     |  |
|                 | 26                   | 1                    |   | 1134-0052-00           | Lagerdistans .....        | Bearing spacer .....       |             |                     |  |
| X               | 27                   | 1                    |   | 1134-1769-03           | Centrumremskiva kpl. .... | Centre pulley assy .....   |             |                     |  |
|                 | 28                   | 1                    |   | 1134-0051-09           | • Distans .....           | • Spacer .....             |             |                     |  |
|                 | 29                   | 2                    | 2 | 9549-0019-00           | • Kullager .....          | • Ball bearing .....       |             |                     |  |
|                 | 30                   | 1                    |   | 9997-1011-06           | Skruv .....               | Screw .....                |             |                     |  |
|                 | 31                   | 2                    | 2 | 9699-0030-02           | Planbricka .....          | Flat washer .....          |             |                     |  |
|                 | 32                   | 1                    |   | 9739-1031-22           | Mutter .....              | Nut .....                  |             |                     |  |
|                 | 33                   | 1                    |   | 1134-3654-01           | Fingerskydd .....         | Finger guard .....         |             |                     |  |
|                 | 34                   | 2                    | 2 | 9959-0612-16           | Skruv .....               | Screw .....                |             |                     |  |
|                 | 35                   | 2                    | 2 | 9739-0631-22           | Mutter .....              | Nut .....                  |             |                     |  |
| X               | 36                   | 1                    |   | 1134-5673-01           | Magnetkoppling .....      | Magnet clutch .....        |             |                     |  |
| X               | 36                   |                      | 1 | 1134-5674-01           | Magnetkoppling .....      | Magnet clutch .....        |             |                     |  |
| X               | 37                   | 1                    |   | 1134-5664-01           | Momentstag .....          | Torque plate .....         |             |                     |  |
|                 | 38                   | 2                    | 2 | 9959-0820-16           | Skruv .....               | Screw .....                |             |                     |  |
|                 | 39                   | 2                    | 2 | 9739-0831-22           | Mutter .....              | Nut .....                  |             |                     |  |
| X               | 40                   | 1                    |   | 1134-5660-01           | Spännarm .....            | Tension arm .....          |             |                     |  |
| X               | 41                   | 1                    |   | 1134-5823-01           | Spännrulle .....          | Tension roller .....       |             |                     |  |
|                 | 42                   | 1                    |   | 9997-1050-16           | Skruv .....               | Screw .....                |             |                     |  |
|                 | 44                   | 1                    |   | 9739-1031-22           | Mutter .....              | Nut .....                  |             |                     |  |
| X               | 45                   | 1                    |   | 1134-5824-01           | Fjäder .....              | Spring .....               |             |                     |  |
|                 | 46                   | 1                    |   | 1134-5232-01           | Spännarmsfäste .....      | Attachment .....           |             |                     |  |
|                 | 47                   | 1                    |   | 9997-0645-12           | Skruv .....               | Screw .....                |             |                     |  |
|                 | 48                   | 1                    |   | 9747-0631-02           | Låsmutter .....           | Lock nut .....             |             |                     |  |
|                 | 49                   | 1                    |   | 9699-0035-02           | Planbricka .....          | Flat washer .....          |             |                     |  |