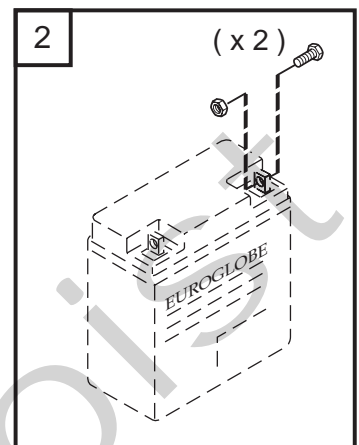
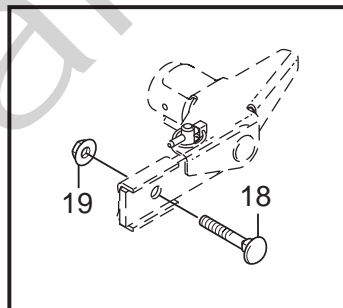
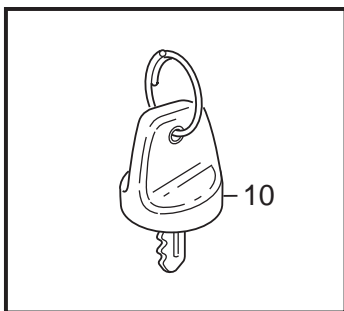
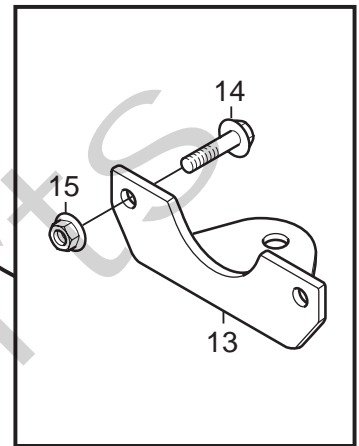
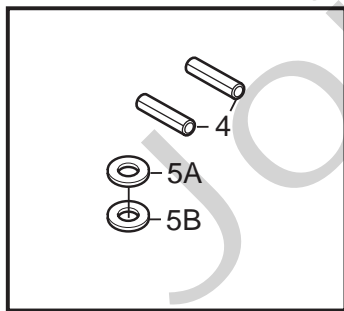
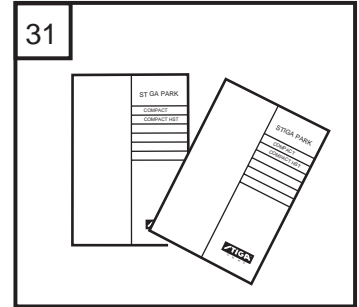
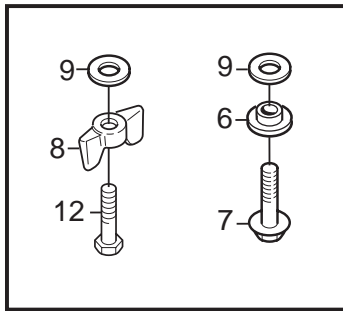


# Genuine Spare Parts

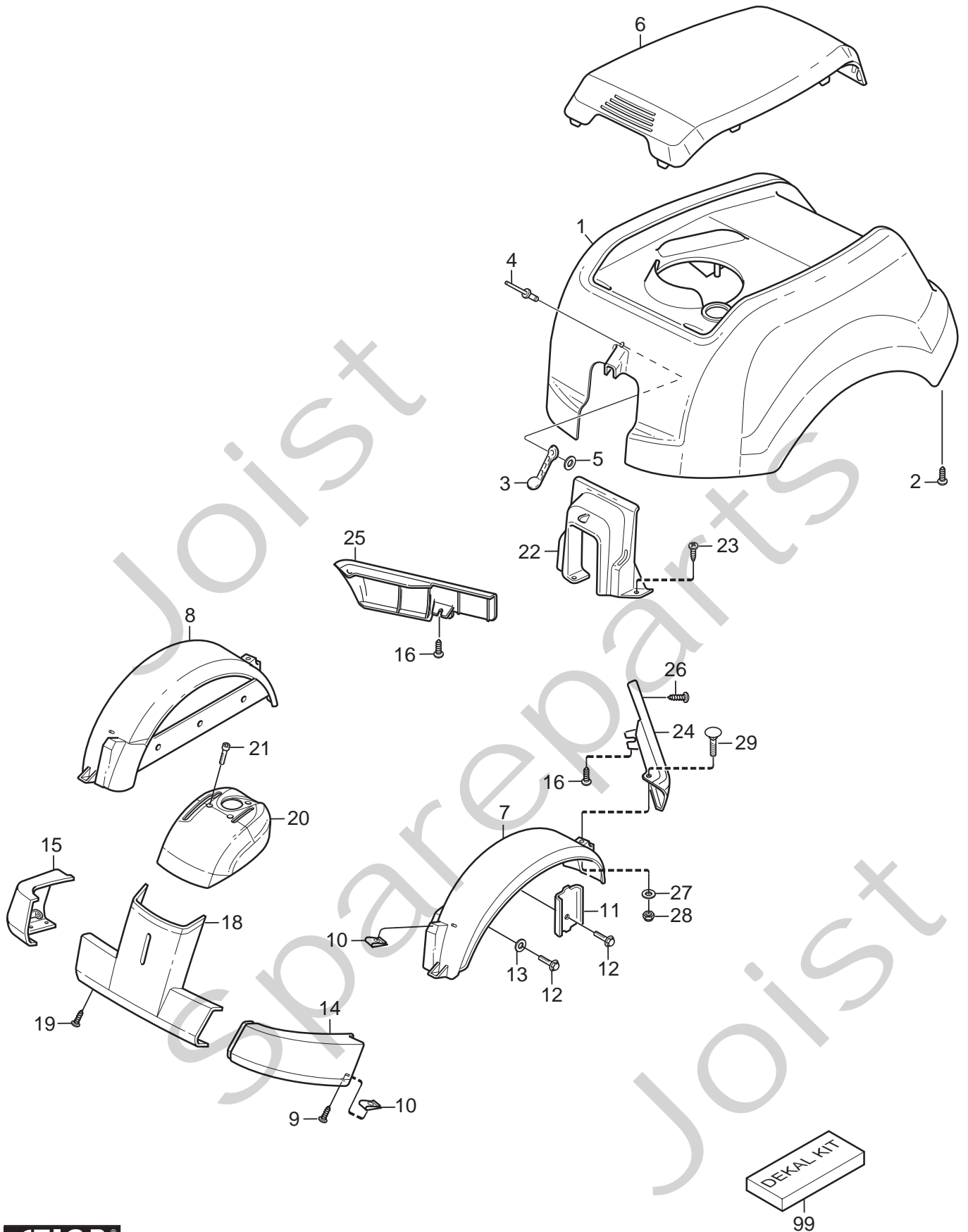
---



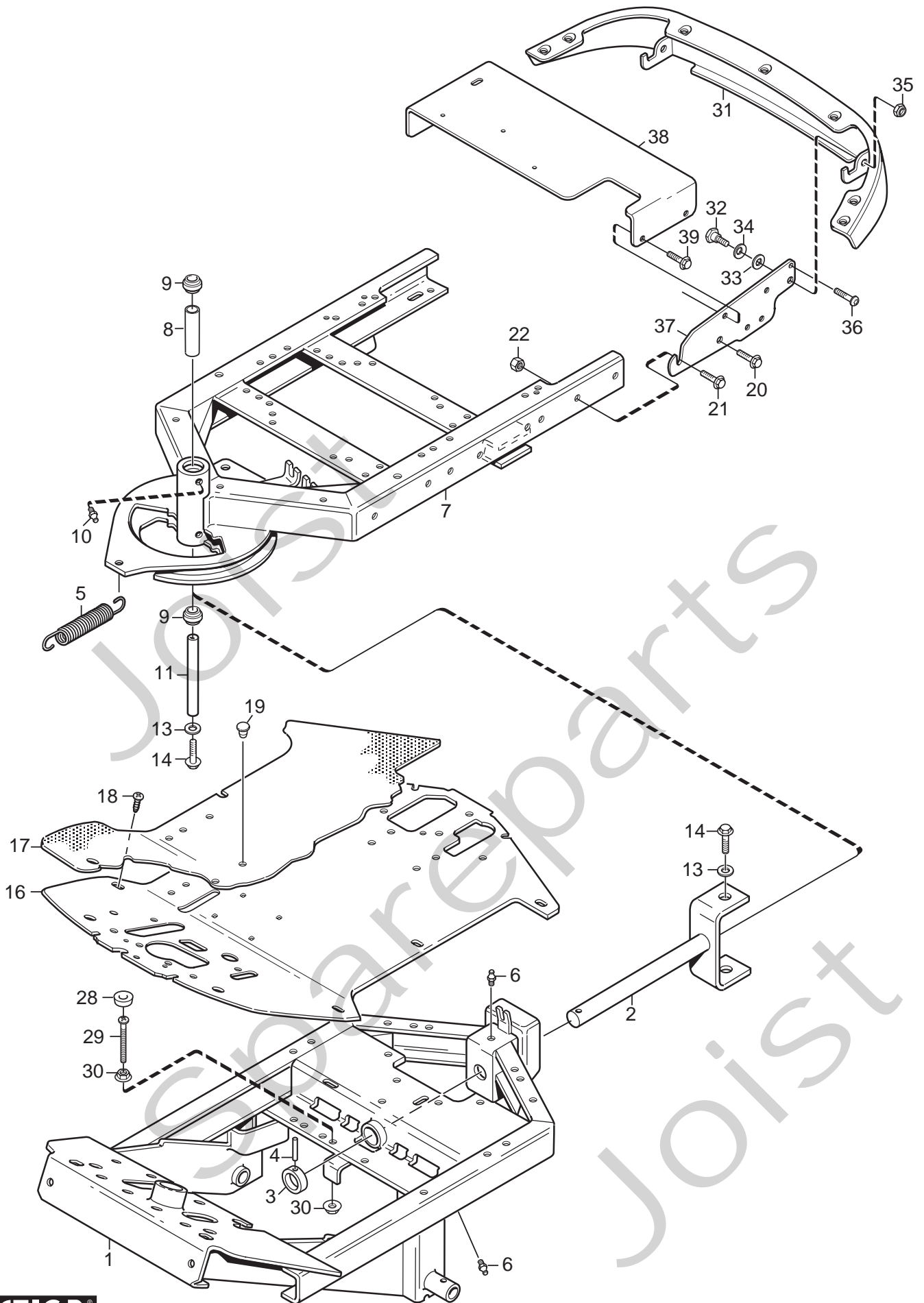
Joist  
Spareparts  
Joist



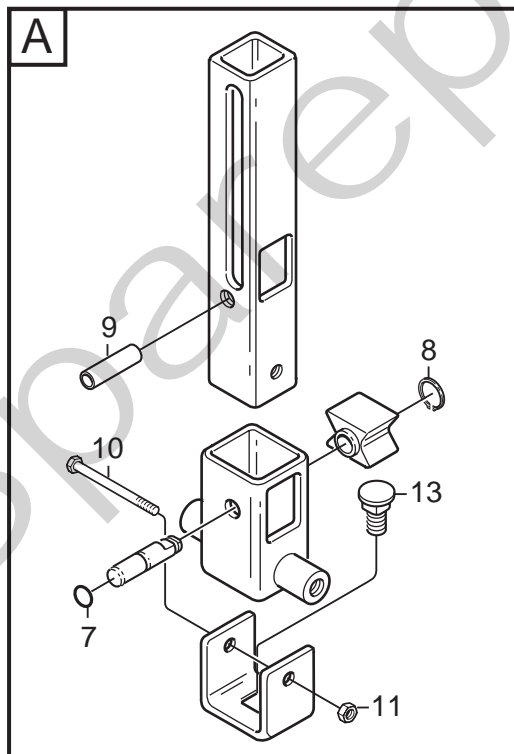
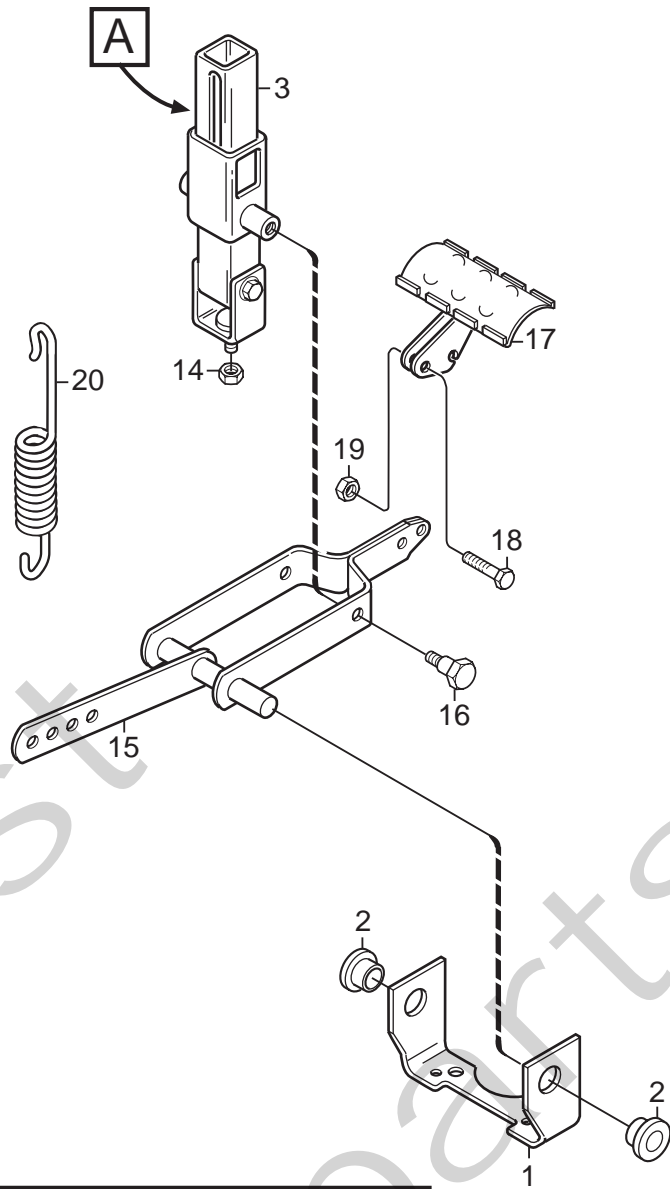
Utgåva Issue		Bildnr Picture No		PARK COMPACT 2WD MONTERINGSDETALJER		PARK COMPACT 2WD ASSEMBLY PARTS		Sida Page	
2010-11		1638D						2	
Pos. Fig.	Antal/Quantity			Art nr Part No	Benämning	Description	Sats Kit	Anmärkning Notes	
	6109 -21	6102 -21	6103 -21						
2	1	1	1	1134-6113-01	Batteriskruvar .....	Battery screws .....			
4	2	2	2	9595-0262-00	Spännstift .....	Locating pin .....			
5A	1	1	1	9699-0103-02	Shims .....	Flat washer .....		0.5 mm	
5B	1	1	1	9699-0114-02	Shims .....	Flat washer .....		1.0 mm	
6	2	2	2	1134-4185-01	Ansatsbricka .....	Flange washer .....			
7	2	2	2	9959-0820-16	Skruv .....	Screw .....			
8	2	2	2	1134-4481-01	Vingmutter .....	Wing nut .....			
9	4	4	4	9699-0056-02	Planbricka .....	Flat washer .....			
10	2	2	2	1134-4734-01	Tändningsnyckel .....	Ignition key .....			
12	2	2	2	9997-0820-16	Skruv .....	Screw .....			
13	1	1	1	1134-5512-01	Dragplåt .....	Towing plate .....			
14	2	2	2	9959-0820-16	Skruv .....	Screw .....			
15	2	2	2	9739-0831-22	Mutter .....	Nut .....			
18	2	2	2	9898-1035-16	Skruv .....	Screw .....			
19	2	2	2	9739-1031-22	Mutter .....	Nut .....			
X 31		1		8211-0001-00	Bruksanvisning .....	Owner's manual .....			
X 31			1	8211-0001-91	Bruksanvisning .....	Owner's manual .....			
31	1			8211-0022-90	Bruksanvisning .....	Owner's manual .....			
31	1	1	1	8211-0601-90	Monteringsanvisning .....	Assy instructions .....			
31	1	1	1	8211-0701-91	Säkerhetsföreskrifter .....	Safety regulations .....			
31	1	1	1	8211-0901-90	Servicebok .....	Service book .....			
31	1	1	1	8211-0960-90	Garantikort .....	Warranty card .....			



Utgåva Issue		Bildnr Picture No		PARK COMPACT 2WD KAROSS		PARK COMPACT 2WD BODY WORK		Sida Page	
2010- 11		1658B						4	
Pos. Fig.	Antal/Quantity				Art nr Part No	Benämning	Description	Sats Kit	Anmärkning Notes
	6102	6103	6109	-21					
1	1				1134-5263-02	Motorhuv- gul .....	Engine hood- yellow .....		Sats 3 st/kit of 3
2	7				9838-9530-12	Skruv .....	Screw .....		
3	1				1134-9028-01	Gummistropp- sats .....	Rubber strap kit .....		
4	1				9632-0516-00	Popnit .....	Pop rivet .....		
5	1				9699-0120-02	Bricka .....	Washer .....		
6	1				1134-5264-01	Motorlucka- grå .....	Engine cover- grey .....		
7	1				1134-5308-01	Stänkskärm vä- grå .....	Mud guard LH- grey .....		
8	1				1134-5308-02	Stänkskärm hö- grå .....	Mud guard RH- grey .....		
9	4				9893-0616-16	Skruv .....	Screw .....		
10	4				1134-4176-01	Clips .....	Clips .....		
11	2				1134-0225-00	Stödplåt .....	Support plate .....		
12	6				9945-0816-16	Skruv .....	Screw .....		
13	4				9699-0056-02	Planbricka .....	Flat washer .....		
14	1				1134-5306-01	Stötfångare, front- vä .....	Bumper, front- LH .....		
15	1				1134-5306-02	Stötfångare, front- hö .....	Bumper, front- RH .....		
16	2				9893-0616-16	Skruv .....	Screw .....		
18	1				1134-5305-01	Front- nedre .....	Front plate- lower .....		
19	2				9893-0616-16	Skruv .....	Screw .....		
20	1				1134-5320-02	Front- övre .....	Front- upper .....		
21	2				9946-0525-16	Skruv .....	Screw .....		
22	1				1134-6241-01	Huvstöd .....	Hood support .....		
23	3				9893-0616-16	Skruv .....	Screw .....		
24	1				1134-3970-05	Kantlist- vä, grå .....	Moulding- LH, grey .....		
25	1				1134-3970-02	Kantlist- hö, grå .....	Moulding- RH, grey .....		
26	2				9893-0616-16	Skruv .....	Screw .....		
27	2				9699-0060-02	Planbricka .....	Flat washer .....		
28	2				9747-0631-02	Låsmutter .....	Lock nut .....		
29	2				9897-0616-16	Vagnsbult .....	Carriage bolt .....		
99	1				1134-6440-02	Dekalsats .....	Label kit .....		

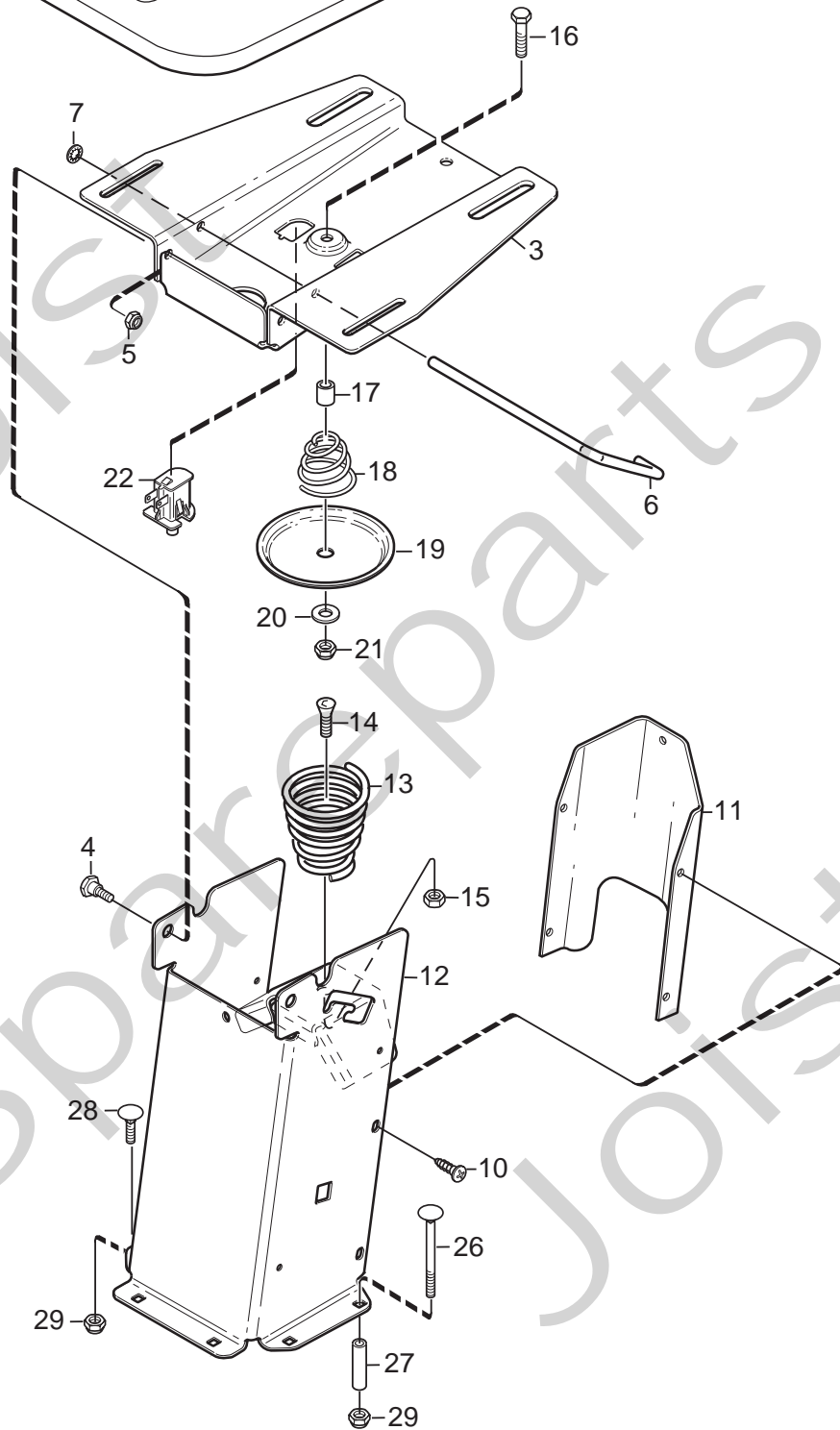
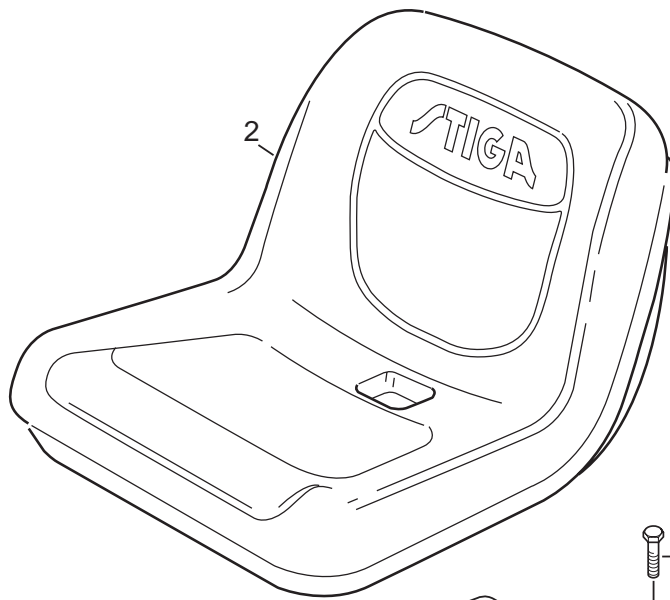


Utgåva Issue		Bildnr Picture No		PARK COMPACT 2WD RAM		PARK COMPACT 2WD FRAME		Sida Page	
2010- 11		1669C						6	
Pos. Fig.	Antal/Quantity				Art nr Part No	Benämning	Description	Sats Kit	Anmärkning Notes
	6102	6103	6109	-21					
1	1				1134-5315-03	Ram-främre .....	Frame- front .....		
2	1				1134-3963-02	• Midjegaffel .....	• Clevis .....		
3	1				1134-0031-00	• Ledaxelstopp .....	• Pivot shaft stop .....		
4	1				9595-0262-00	• Spännstift .....	• Locating pin .....		
5	1				1134-2171-01	Fjäder.....	Spring .....		
6	2				9501-0500-00	Smörjnippel .....	Grease joint.....		
7	1				1134-6466-01	Ram- bakre .....	Frame- rear.....		
8	1				1134-5705-01	• Distans .....	• Spacer .....		
9	2				9547-0001-00	• Ledlager .....	• Bearing .....		
10	2				9501-0500-00	• Smörjnippel .....	• Grease joint .....		
11	1				1134-5988-01	Centrumaxel .....	Centre shaft.....		
13	2				9699-0035-02	Planbricka.....	Flat washer.....		
14	2				9959-1025-16	Skruv .....	Screw.....		
16	1				1134-5294-01	Durk.....	Floor plate .....		
17	1				1134-6372-04	Durkmatta.....	Floor mat.....		
18	2				9893-0616-16	Skruv .....	Screw .....		
19	2				9403-0048-70	Täckpropp .....	Plug .....		
20	2				9945-0816-16	Skruv .....	Screw .....		
21	2				9959-0820-16	Skruv .....	Screw .....		
22	2				9739-0831-22	Mutter.....	Nut .....		
28	1				1134-4975-01	Gummibuffert .....	Rubber block.....		
29	1				9950-0570-12	Skruv .....	Screw .....		
30	2				9739-0531-22	Mutter.....	Nut .....		
31	1				1134-5337-02	Stötfångare- bak, grå .....	Bumper- rear, grey .....		
32	2				1134-0240-00	Ansatsskruv.....	Shoulder screw .....		
33	2				1134-4242-01	Distansbricka.....	Spacer washer .....		
34	2				9665-0002-00	Brickfjäder .....	Bowed washer.....		
35	2				9747-0831-02	Mutter.....	Lock nut .....		
36	2				9943-0516-16	Skruv .....	Screw .....		
37	2				1134-5345-01	Stag .....	Attachment.....		
38	1				1134-5344-01	Batterihylla.....	Battery shelf .....		
39	4				9945-0816-16	Skruv .....	Screw .....		

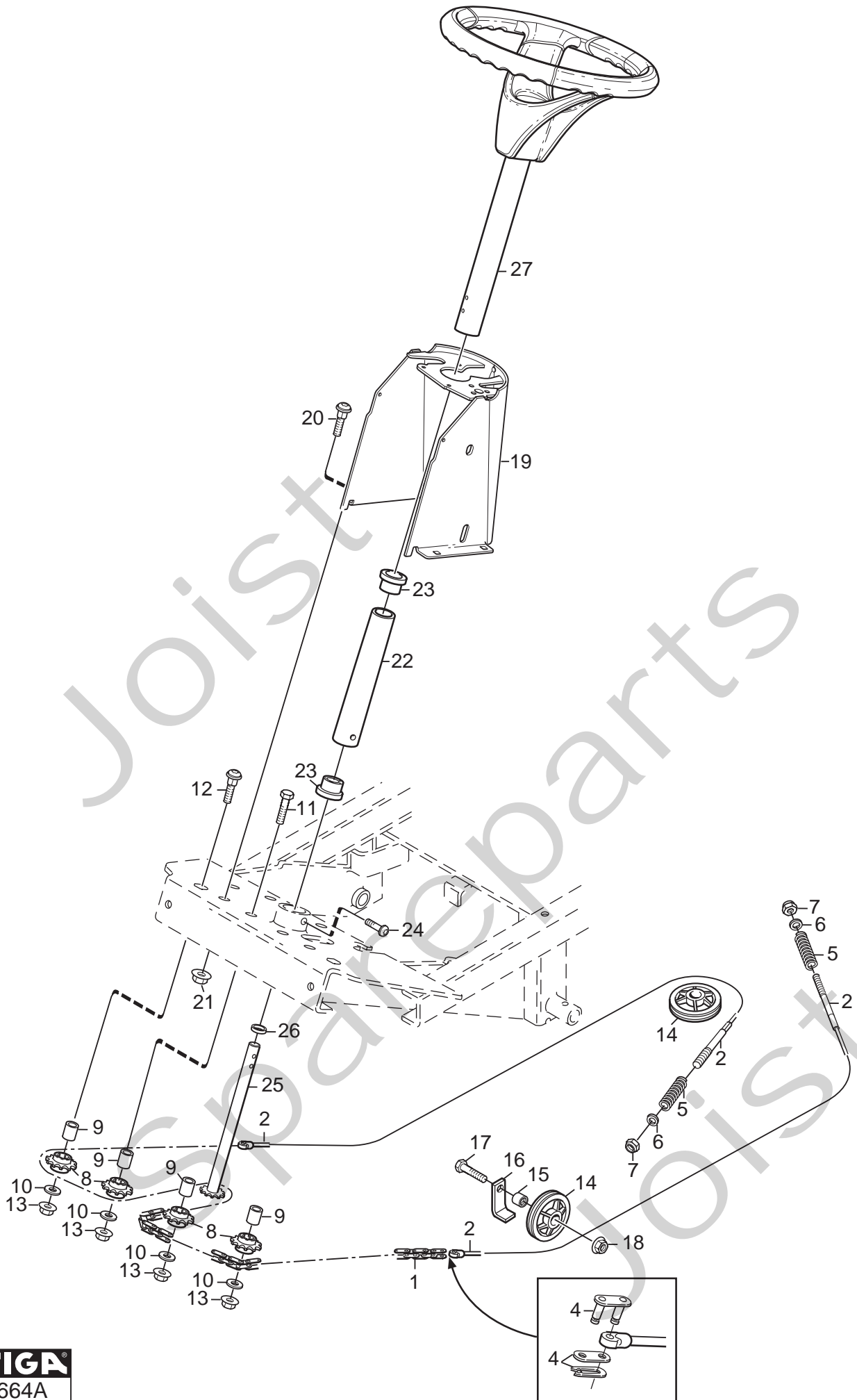




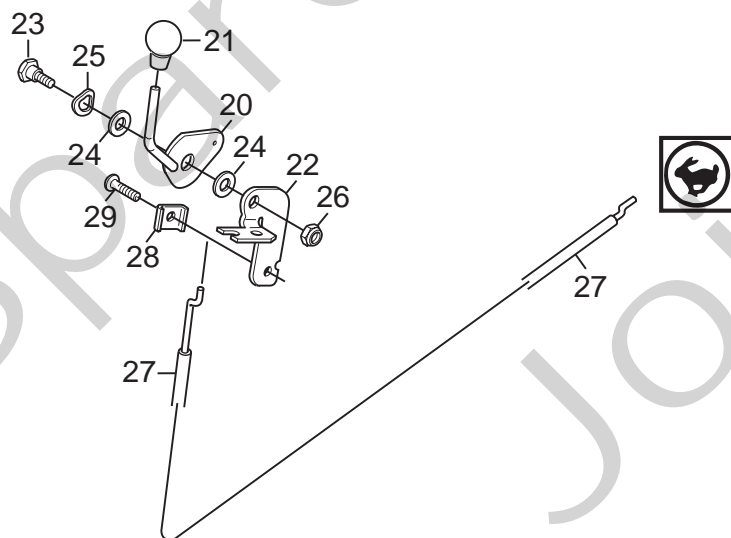
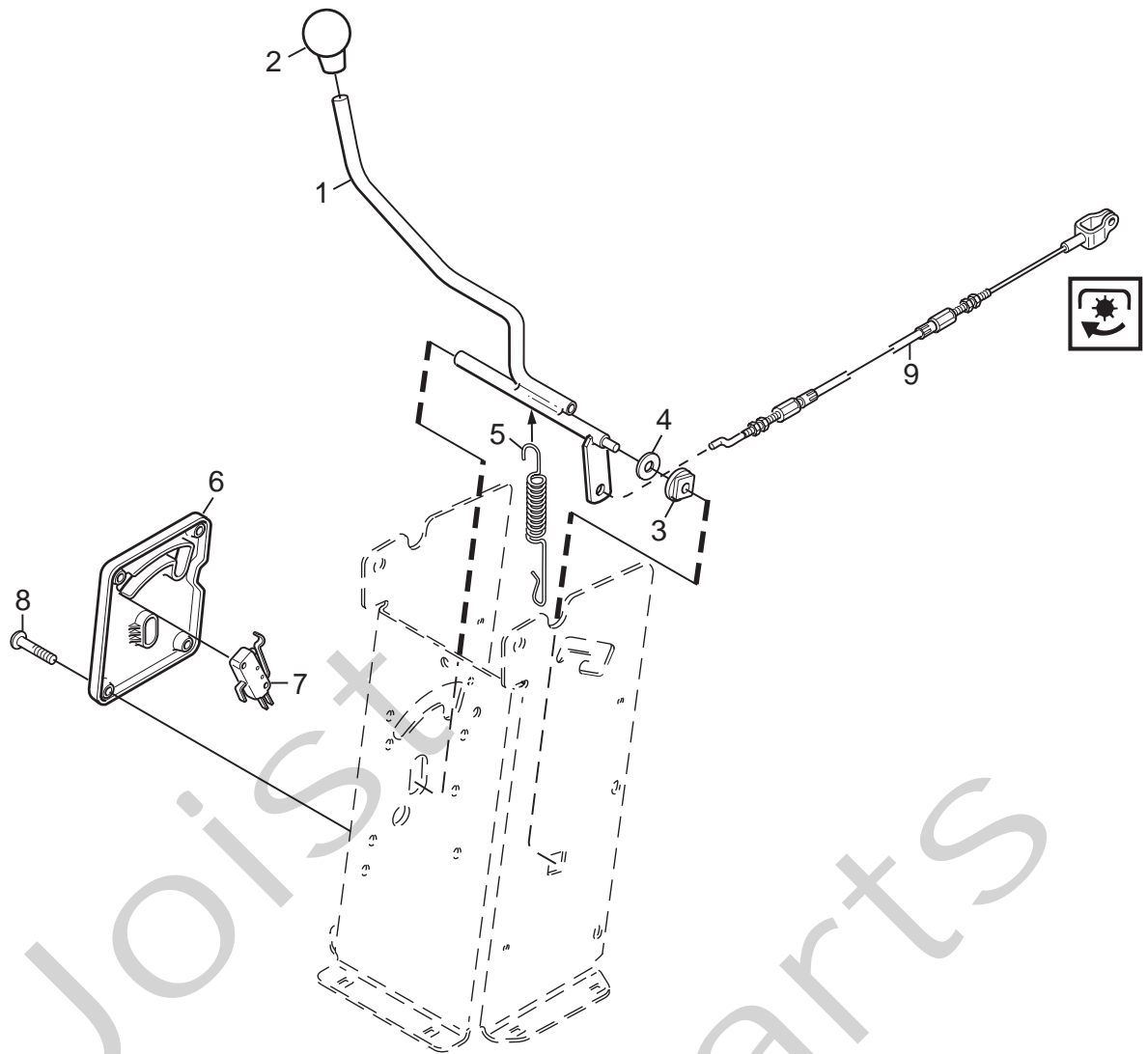
Utgåva Issue		Bildnr Picture No		PARK COMPACT 2WD PEDALLYFT		PARK COMPACT 2WD PEDAL LIFT		Sida Page	
2010- 11		1023D						8	
Pos. Fig.	Antal/Quantity				Art nr Part No	Benämning	Description	Sats Kit	Anmärkning Notes
	6102	6103	6109	-21					
1	1				1134-4117-01 Fäste .....	Bracket .....			
2	2				1134-2684-01 Lager .....	Bearing .....			
3	1				1134-4945-01 Lyftspärr kpl .....	Lift catch assy .....			
7	1				9404-0027-01 • O- ring .....	• O- ring .....			
8	1				9650-0039-04 • Seegersäkring .....	• Lock ring .....			
9	1				9595-0276-01 • Spännstift .....	• Locating pin .....			
10	1				9997-0640-12 • Skruv .....	• Screw .....			
11	1				9747-0631-02 • Låsmutter .....	• Lock nut .....			
13	1				9897-0820-16 • Skruv .....	• Screw .....			
14	1				9747-0831-02 Mutter .....	Lock nut .....			
15	1				1134-4860-01 Lyftgaffel .....	Lift fork .....			
16	2				1134-0240-00 Ansatsskruv .....	Shoulder screw .....			
17	1				1134-4938-01 Lyftpedal .....	Lift pedal .....			
18	2				9997-0625-16 Skruv .....	Screw .....			
19	2				9739-0631-22 Mutter .....	Nut .....			
20	1				4231-0013-00 Fjäder .....	Spring .....			



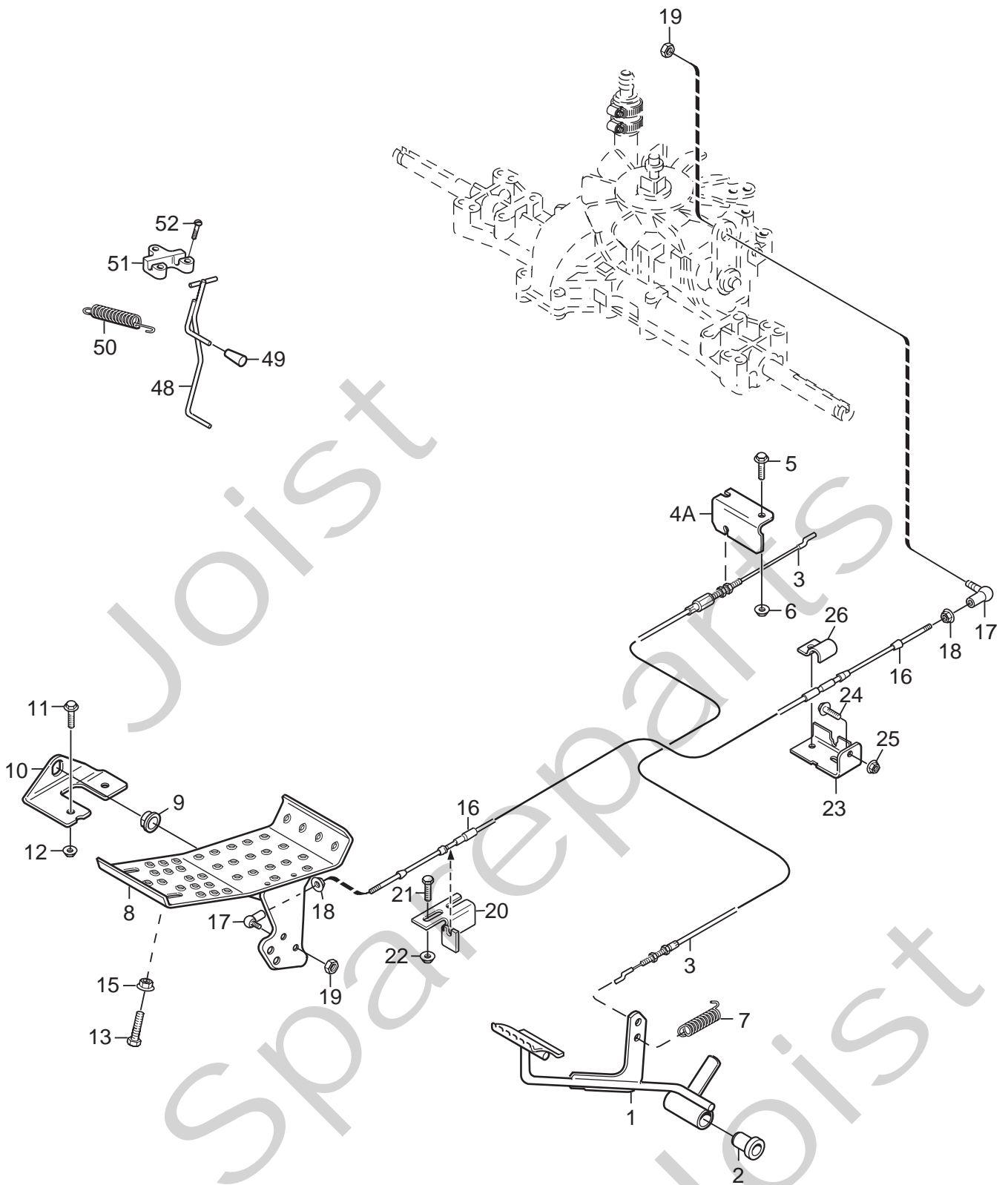
Utgåva Issue		Bildnr Picture No		PARK COMPACT 2WD SITS		PARK COMPACT 2WD SEAT		Sida Page	
2010-11		1657B						10	
Pos. Fig.	Antal/Quantity				Art nr Part No	Benämning	Description	Sats Kit	Anmärkning Notes
	6102	6103	6109	-21					
2	1				1134-6444-01 Sits .....	Seat .....			
3	1				1134-5301-01 Sitsplatta .....	Seat plate .....			
4	2				1134-0240-00 Ansattsskruv .....	Shoulder screw .....			
5	2				9747-0831-02 Mutter .....	Lock nut .....			
6	1				1134-5454-01 Spärr .....	Catch .....			
7	1				9675-0012-02 Starlock .....	Locking washer .....			
10	4				9893-0616-16 Skruv .....	Screw .....			
11	1				1134-5300-01 Bakstycke- gul .....	Rear plate- yellow .....			
12	1				1134-5296-04 Sitskonsol- gul .....	Seat bracket- yellow .....			
13	1				1134-4256-01 Sitsfjäder .....	Seat spring .....			
14	1				9924-1235-19 Skruv .....	Screw .....			
15	1				9747-1231-02 Låsmutter .....	Lock nut .....			
16	1				9997-0840-16 Skruv .....	Screw .....			
17	1				1134-1565-06 Distans .....	Spacer .....			
18	1				1134-5302-01 Fjäder .....	Spring .....			
19	1				1134-5299-01 Tryckplatta .....	Push plate .....			
20	1				9699-0090-02 Planbricka .....	Flat washer .....			
21	1				9747-0831-02 Mutter .....	Lock nut .....			
22	1				1134-3156-02 Brytare (grå) .....	Switch (grey) .....			
26	2				9897-0880-12 Skruv .....	Screw .....			L = 80 mm
27	2				1134-1565-08 Distans .....	Spacer .....			
28	4				9897-0820-16 Skruv .....	Screw .....			L = 20 mm
29	6				9747-0831-02 Mutter .....	Lock nut .....			



Utgåva Issue		Bildnr Picture No		PARK COMPACT 2WD STYRNING		PARK COMPACT 2WD STEERING		Sida Page	
2010- 11		1664A						12	
Pos. Fig.	Antal/Quantity				Art nr Part No	Benämning	Description	Sats Kit	Anmärkning Notes
	6102	6103	6109	-21					
1	1				1134-6374-06	Kedja .....	Chain.....		83 länk
2	1				1134-9084-01	Styrwire kpl (vä+hö) .....	Steering cable assy .....		Sats vä+hö/kit L+R
4	2				1134-2824-02	Kedjelås .....	Chain lock .....		
5	2				1134-3817-01	Tryckfjäder .....	Compression spring.....		L = 58 mm
6	2				9699-0090-02	Planbricka.....	Flat washer.....		
7	2				9747-0831-02	Mutter.....	Lock nut.....		
8	4				1134-2816-01	Kedjehjul.....	Sprocket.....		
9	4				1134-0041-02	Linhjulshylsa .....	Idler wheel bush.....		
10	4				9699-0035-02	Planbricka.....	Flat washer.....		
11	2				9997-1050-16	Skruv .....	Screw.....		
12	2				9897-1040-12	Skruv .....	Screw.....		
13	4				9739-1031-22	Mutter.....	Nut .....		
14	2				1134-9025-01	Linhjul- sats .....	Steering pulley- kit .....		Sats 2 st/kit of 2
15	2				1134-0041-01	Linhjulshylsa .....	Bushing.....		
16	2				1134-0046-00	Linhållare.....	Wire clamp.....		
17	2				9997-1030-16	Skruv .....	Screw.....		
18	2				9739-1031-22	Mutter.....	Nut .....		
19	1				1134-5349-01	Styrkonsol- gul .....	Steering console- yel.....		
20	4				9897-0820-16	Skruv .....	Screw.....		
21	4				9739-0831-22	Mutter.....	Nut .....		
22	1				1134-1305-05	Rattrör- nedre .....	Steering column- lower .....		
23	2				1134-1901-01	Lager .....	Bearing.....		
24	2				9893-0616-16	Skruv .....	Screw.....		
X 25	1				1137-0079-02	Rattstång .....	Steering rod .....		
X 26	1				1134-2837-01	Distans .....	Spacer.....		
27	1				1134-5496-03	Ratt.....	Steering wheel .....		

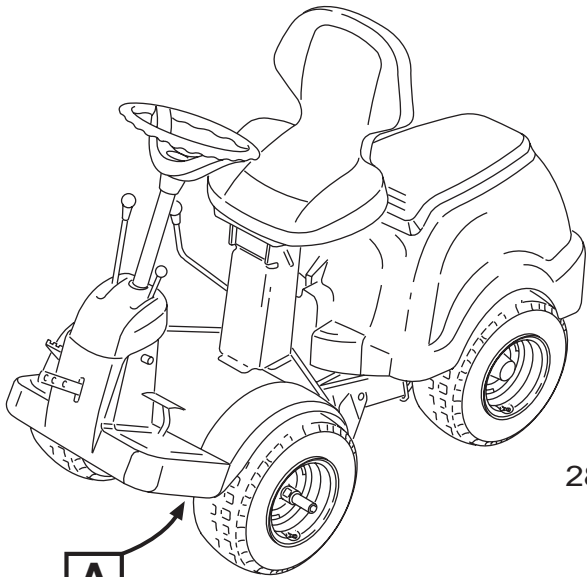


Utgåva Issue		Bildnr Picture No		PARK COMPACT 2WD HANDREGLAGE		PARK COMPACT 2WD HAND CONTROLS		Sida Page	
2010-11		1670B						14	
Pos. Fig.	Antal/Quantity				Art nr Part No	Benämning	Description	Sats Kit	Anmärkning Notes
	6102	6103	6109	-21					
1	1				1134-6301-01	Aggregatsspak.....	Engagement lever .....		
2	1				1134-2551-01	Reglageknopp.....	Knob .....		
3	1				1134-3790-02	Lager .....	Bearing.....		
4	1				9699-0090-02	Planbricka.....	Flat washer.....		
5	1				4231-0013-00	Fjäder.....	Spring .....		
6	1				1134-5368-01	Panel .....	Dashboard .....		
7	1				9400-0312-01	Mikrobrytare.....	Micro switch .....		
8	4				9946-0525-16	Skruv .....	Screw .....		
9	1				1134-3573-05	Reglagewire.....	Control cable.....		
20	1				1134-5465-01	Gasreglage.....	Throttle lever.....		
21	1				1134-4078-01	Knopp.....	Knob .....		
22	1				1134-5464-01	Fäste.....	Bracket.....		
23	1				1134-0240-00	Ansatsskruv.....	Shoulder screw.....		
24	2				1134-4242-01	Distansbricka.....	Spacer washer .....		
25	1				9694-0001-00	Fjäderbricka .....	Washer.....		
26	1				9747-0831-02	Mutter.....	Lock nut.....		
27	1				1134-4197-03	Gaswire .....	Throttle cable .....		
28	1				9500-9991-00	Wireklämma .....	Cable clamp .....		
29	1				9943-0516-16	Skruv.....	Screw.....		

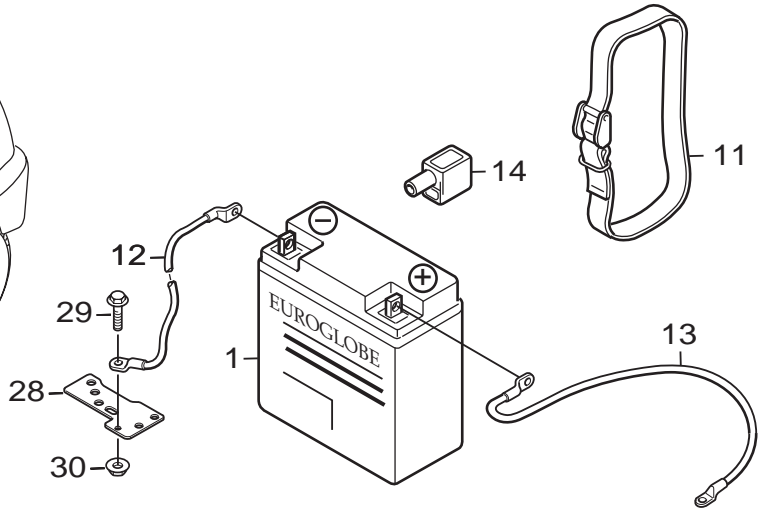




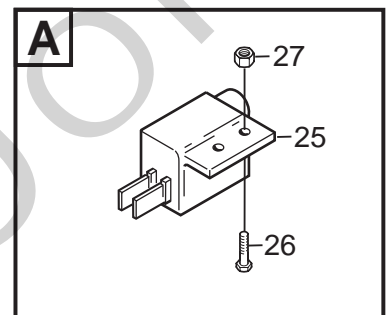
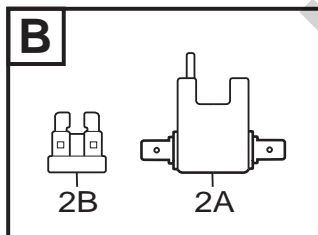
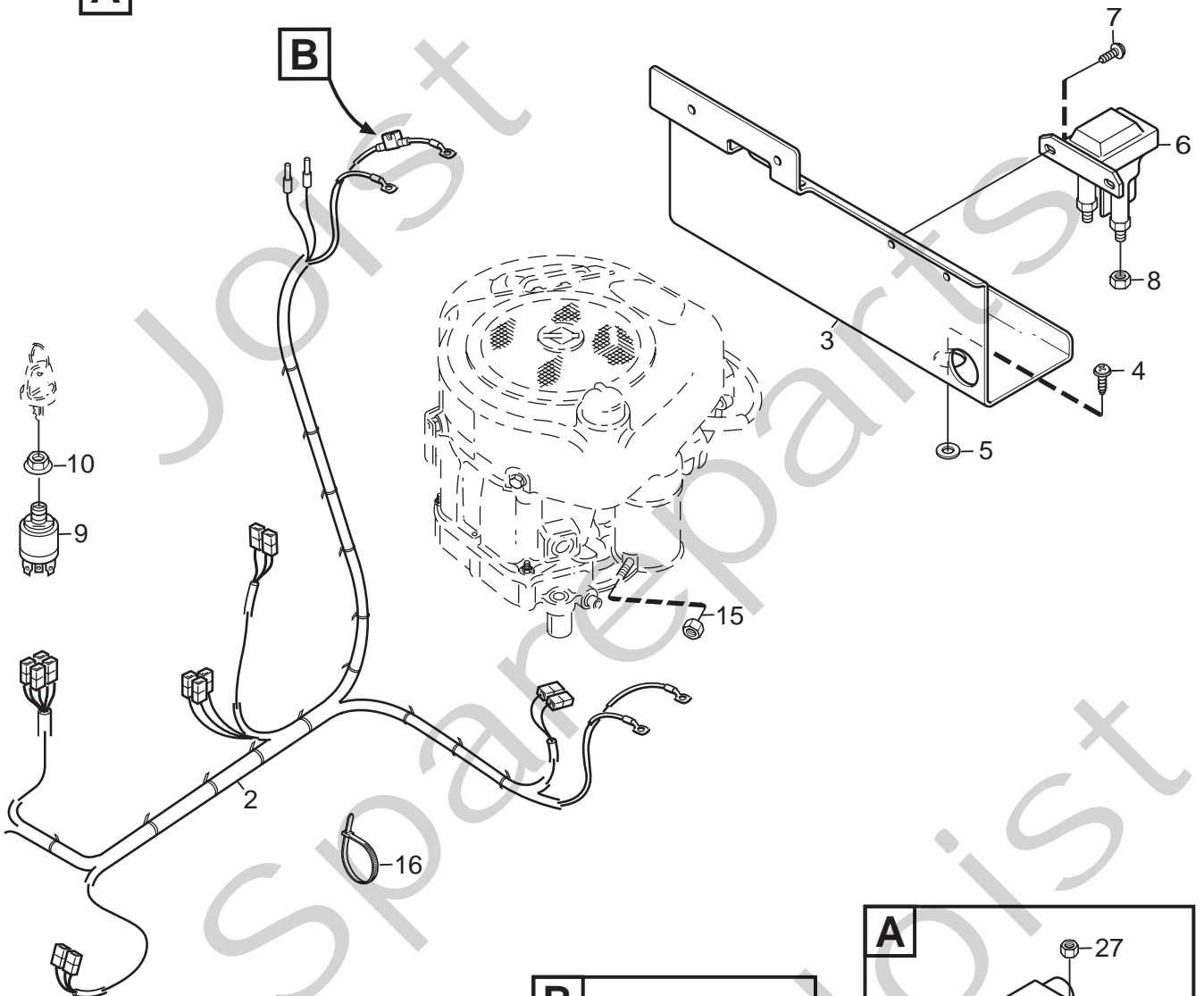
Utgåva Issue		Bildnr Picture No		PARK COMPACT 2WD FOTREGLAGE		PARK COMPACT 2WD FOOT CONTROLS		Sida Page	
2010- 11		1666B						16	
Pos. Fig.	Antal/Quantity				Art nr Part No	Benämning	Description	Sats Kit	Anmärkning Notes
	6102	6103	6109	-21					
1	1				1134-4247-01	Broms/kopplingspedal.....	Brake/clutch pedal.....		Sats 4 st/kit of 4
2	1				1134-9024-01	• Lager .....	• Bearing .....		
3	1				1134-3584-03	Broms/kopplingswire.....	Brake/clutch cable .....		
4A	1				1134-6467-01	Wirefäste .....	Cable holder .....		
5	2				9959-0820-16	Skruv .....	Screw .....		
6	2				9739-0831-22	Mutter.....	Nut .....		
7	1				1134-3974-01	Fjäder.....	Spring .....		
8	1				1134-6353-01	Drivpedal .....	Drive pedal .....		
9	2				1134-6313-01	Lager .....	Bearing .....		
10	2				1134-2700-01	Fäste .....	Bracket .....		
11	2				9959-0820-16	Skruv .....	Screw .....		
12	2				9739-0831-22	Mutter.....	Nut .....		
13	1				9997-0835-16	Skruv .....	Screw .....		
15	1				9739-0831-22	Mutter.....	Nut .....		
16	1				1134-2766-05	Reglagewire.....	Speed control cable .....		
17	2				9570-0001-00	Vinkellänk .....	Elbow link .....		
18	2				9739-0531-22	Mutter.....	Nut .....		
19	2				9747-0531-02	Mutter.....	Nut .....		
20	1				1134-6317-01	Wirefäste .....	Cable holder .....		
21	2				9959-0620-16	Skruv .....	Screw .....		
22	2				9739-0631-22	Mutter.....	Nut .....		
23	1				1134-3395-01	Fäste.....	Attachment.....		
24	2				9959-0820-16	Skruv .....	Screw .....		
25	2				9739-0831-22	Mutter.....	Nut .....		
26	1				1134-2021-01	Växelwirefäste .....	Clamp.....		
48	1				1134-5353-01	Bromsstång .....	Brake rod .....		
49	1				1134-2786-01	Plastknopp.....	Plastic knob .....		
50	1				1131-1497-01	Fjäder.....	Spring .....		
51	1				1134-4002-01	Fäste.....	Brake rod attachment.....		
52	3				9838-9516-12	Skruv .....	Screw .....		



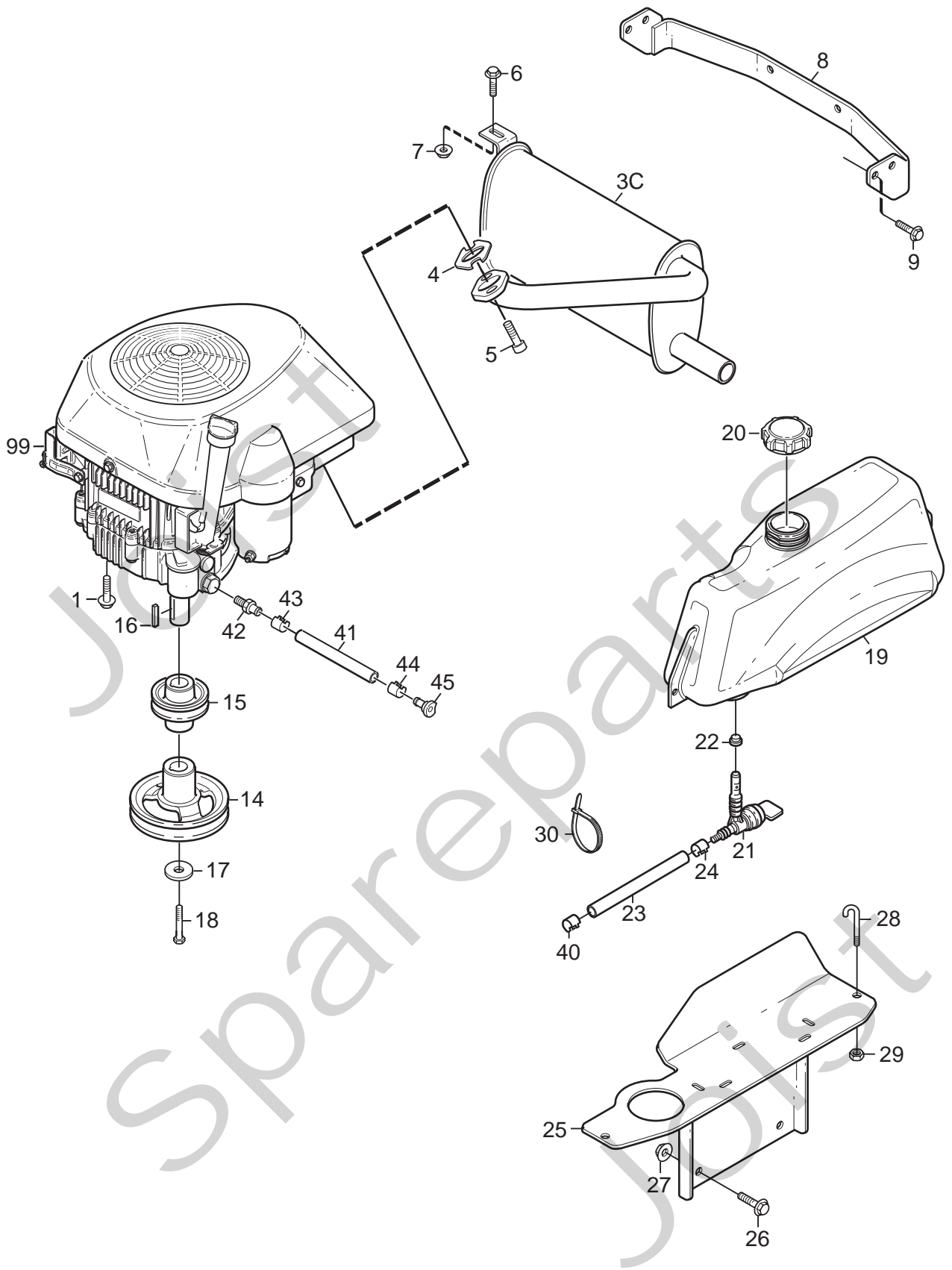
**A**



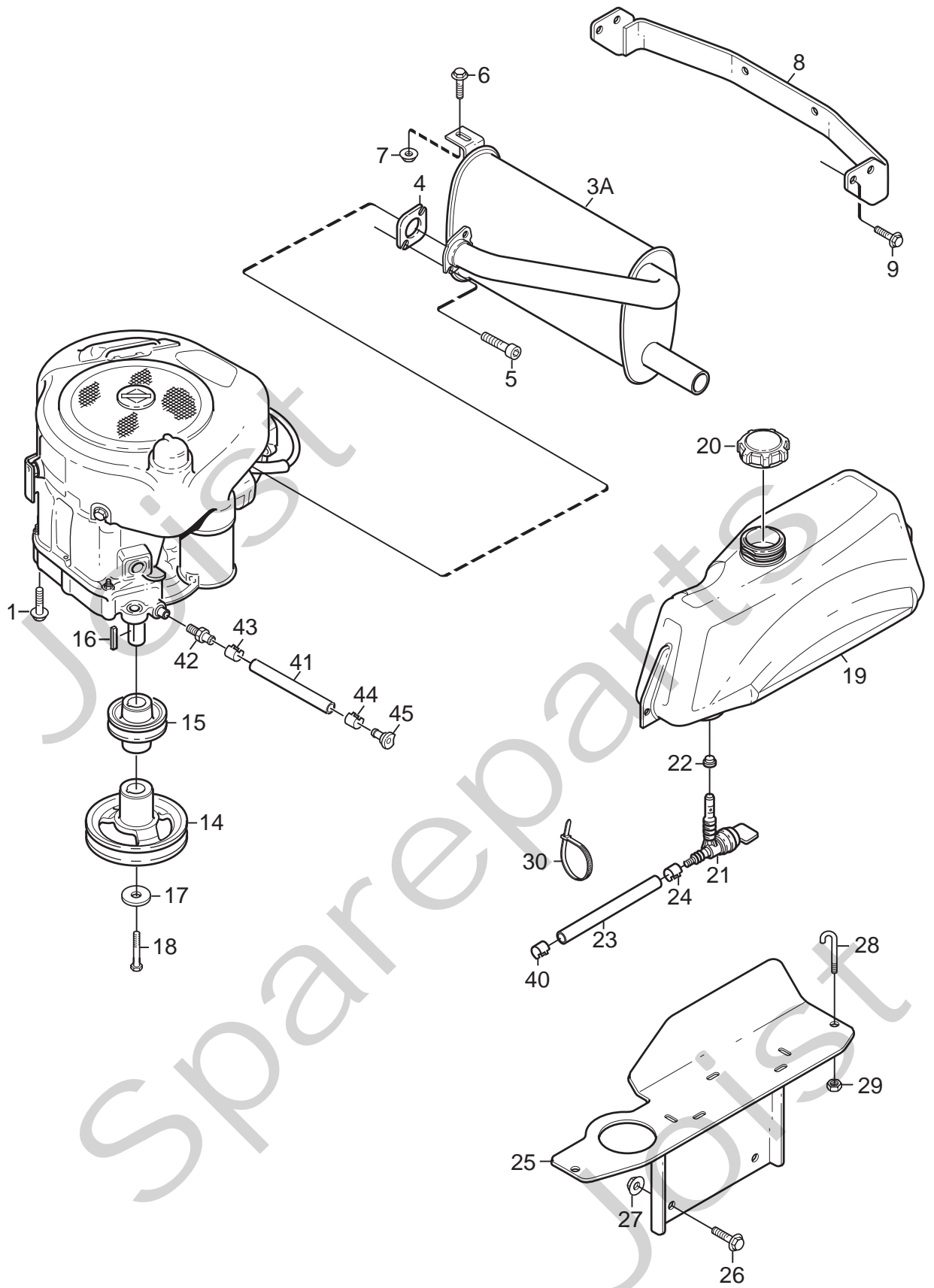
**B**



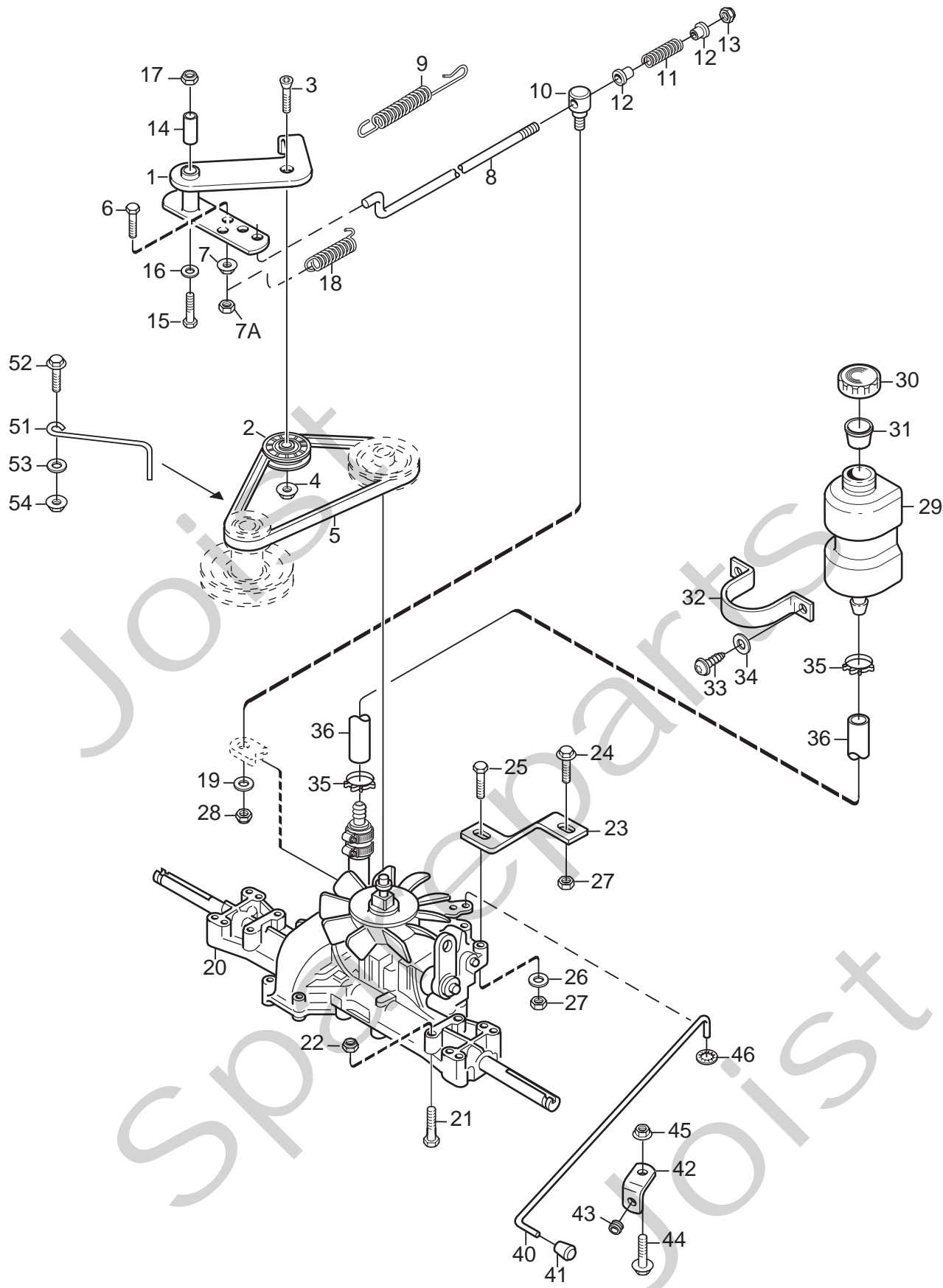
Utgåva Issue		Bildnr Picture No		PARK COMPACT 2WD ELUTRUSTNING		PARK COMPACT 2WD EL. EQUIPMENT		Sida Page	
2010-11		1671E						18	
Pos. Fig.	Antal/Quantity			Art nr Part No	Benämning	Description	Sats Kit	Anmärkning Notes	
	6109 -21	6102 6103 -21							
X 1	1	1		1134-4804-01	Batteri.....	Battery .....			
2	1	1		1134-5769-01	Kablage.....	Harness.....			
2A	1	1		9400-0327-01	• Säkringshållare.....	• Fuse holder .....		Inkl. pos 2B	
2B	1	1		1134-3496-06	•• Säkring .....	•• Fuse .....			
3	1	1		1134-5343-01	Batterikonsol .....	Battery bracket.....			
4	3	3		9852-8013-16	Skruv.....	Screw.....			
5	2	2		9699-0060-02	Planbricka.....	Flat washer.....			
6	1	1		1134-2962-01	Solenoid kpl .....	Solenoid assy.....			
7	2	2		9852-8013-16	Skruv.....	Screw.....			
8	2	2		9794-5131-02	• Mutter.....	• Nut .....			
9	1	1		1134-4093-01	Tändningslås .....	Ignition switch .....			
10	1	1		1134-4749-01	Mutter.....	Nut .....			
11	1	1		1134-5245-01	Batterirem.....	Battery strap .....			
12		1		1134-2167-01	Kabel .....	Cable .....		L = 530 mm	
12	1			1134-2167-02	Kabel .....	Cable .....		L = 630 mm	
13	1	1		1134-0234-02	Batterikabel ( + ).....	Battery cable ( + ).....			
14	1	1		1134-2310-01	Batteriskydd.....	Guard cap .....			
15	1			9739-0631-22	Mutter.....	Nut .....		M6	
15		1		9795-3531-02	Mutter.....	Nut .....		1/4" UNC	
16	15	15		9579-0003-00	Buntband .....	Cable holder .....			
25	1	1		1134-3399-02	Brytare.....	Switch .....			
26	2	2		9997-0520-16	Skruv.....	Screw.....			
27	2	2		9747-0531-02	Mutter.....	Nut .....			
28	1			1134-6454-01	Jordplåt .....	Ground plate .....			
29	1			9959-0612-16	Skruv.....	Screw.....			
30	1			9739-0631-22	Mutter.....	Nut .....			



Utgåva Issue		Bildnr Picture No		PARK COMPACT 2WD MOTOR (GGP)		PARK COMPACT 2WD ENGINE (GGP)		Sida Page	
2010-11		1672D						20	
Pos. Fig.	Antal/Quantity				Art nr Part No	Benämning	Description	Sats Kit	Anmärkning Notes
	6109 -21								
1	4			9955-3725-16	Skruv.....	Screw.....		3/8" UNC x 25 mm	
3C	1			1134-6622-01	Ljuddämpare .....	Muffler .....			
4	1			1134-6624-01	Packning.....	Gasket.....			
5	2			1134-4930-01	Skruv.....	Screw.....			
6	1			9959-0820-16	Skruv.....	Screw.....			
7	1			9739-0831-22	Mutter.....	Nut.....			
8	1			1134-5390-01	Dragkroksbalk .....	Tow bar bracket.....			
9	4			9945-0816-16	Skruv.....	Screw.....			
14	1			1134-6419-01	Motorremskiva .....	Engine pulley.....			
15	1			1134-6137-01	Motorremskiva .....	Engine pulley.....			
16	1			9600-0251-01	Kil.....	Key.....		L = 2 1/2"	
17	1			1134-5017-01	Bricka.....	Washer.....			
18	1			9987-5332-16	Skruv.....	Screw.....			
19	1			1134-6618-01	Bränsletank.....	Fuel tank.....			
20	1			1134-5532-01	Tanklock.....	Fuel tank cap.....			
21	1			1134-3224-01	Bensinkran.....	Fuel shut-off valve.....			
22	1			1134-3225-01	Gummibussning .....	Grommet.....			
23	1			1134-2975-09	Bensinslang.....	Fuel hose.....		L = 630 mm	
24	1			9578-0023-02	Slangklämna.....	Hose clamp.....			
25	1			1134-6627-01	Tankkonsol.....	Fuel tank bracket.....			
26	2			9959-0820-16	Skruv.....	Screw.....			
27	2			9739-0831-22	Mutter.....	Nut.....			
28	2			1134-5346-01	Tankbygel.....	Fuel tank loop.....			
29	2			9747-0631-02	Låsmutter.....	Lock nut.....			
30	1			9579-0003-00	Buntband.....	Cable holder.....			
40	1			9578-0023-02	Slangklämna.....	Hose clamp.....			
41	1			1134-5827-01	Oljeavtappning kpl.....	Oil drain assy.....		Inkl. pos 42 - 45	
42	1			1134-5825-01	• Nippel.....	• Nipple.....			
43	1			9578-0023-04	• Slangklämna.....	• Hose clamp.....			
44	1			1134-3499-02	• Slangklämna.....	• Hose clamp.....			
45	1			1134-5826-01	• Plugg.....	• Plug.....			
99	1			118550451/0	Motor kpl.....	Engine assy.....		GGP WM 14	

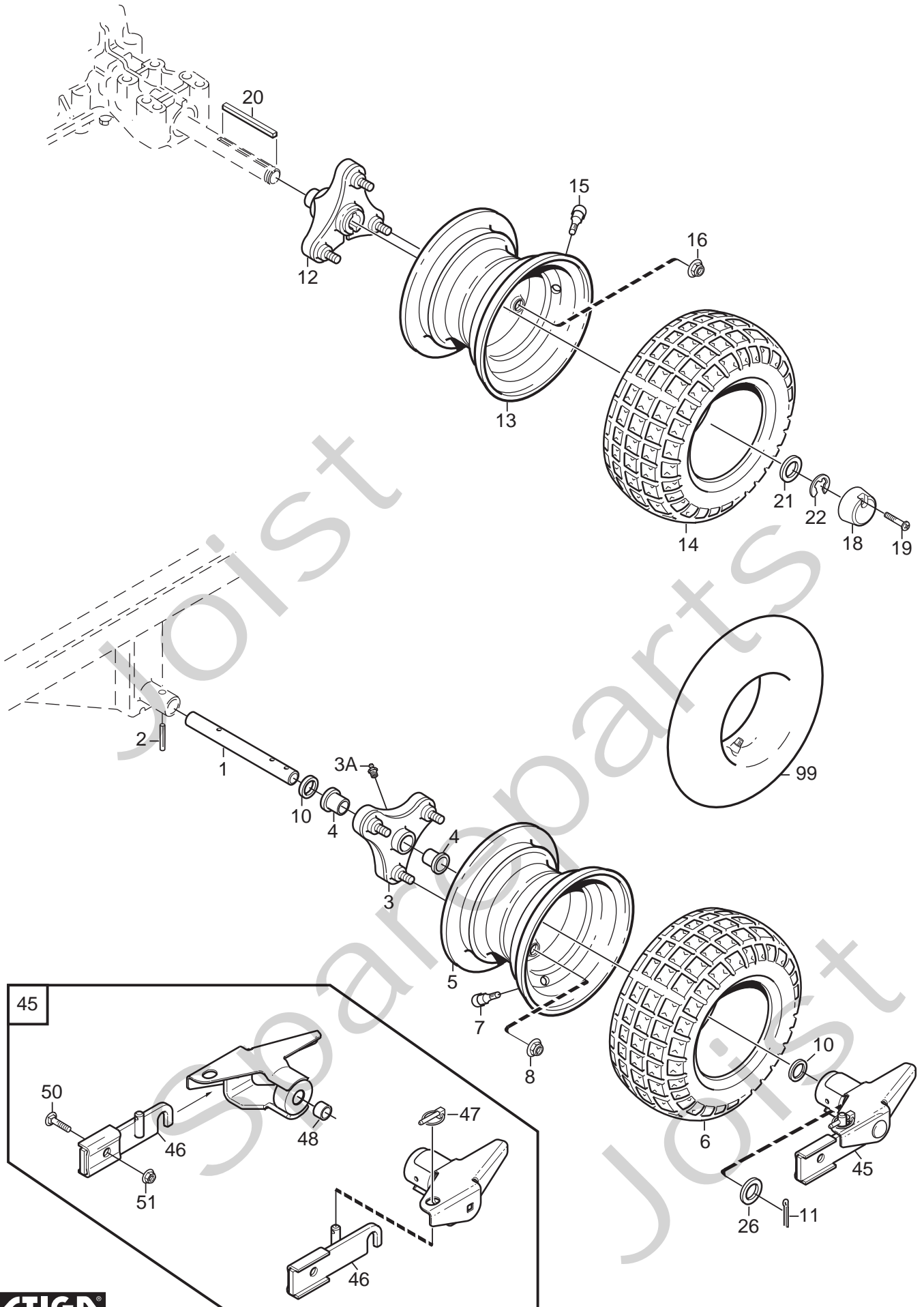


Utgåva Issue		Bildnr Picture No		PARK COMPACT 2WD MOTOR (B&S)		PARK COMPACT 2WD ENGINE (B&S)		Sida Page	
2010-11		1672E						22	
Pos. Fig.	Antal/Quantity			Art nr Part No	Benämning	Description	Sats Kit	Anmärkning Notes	
	6103 -21	6102 -21							
1	4	4		9955-3725-16	Skruv.....	Screw.....		3/8" UNC x 25 mm	
3A		1		1134-5370-01	Ljuddämpare .....	Muffler .....			
3A	1			1134-7784-01	Ljuddämpare .....	Muffler .....			
4	1	1		1134-0433-00	Ljuddämparpackning.....	Muffler gasket.....			
5	2	2		1134-4930-01	Skruv.....	Screw.....			
6	1	1		9959-0820-16	Skruv.....	Screw.....			
7	1	1		9739-0831-22	Mutter.....	Nut.....			
8	1	1		1134-5390-01	Dragkroksbalk .....	Tow bar bracket.....			
9	4	4		9945-0816-16	Skruv.....	Screw.....			
14	1	1		1134-6419-01	Motorremskiva .....	Engine pulley.....			
15	1	1		1134-6137-01	Motorremskiva .....	Engine pulley.....			
16	1	1		9600-0251-01	Kil.....	Key.....	L = 2 1/2"		
17	1	1		1134-5017-01	Bricka .....	Washer.....			
18	1	1		9987-5332-16	Skruv.....	Screw.....			
19	1	1		1134-6618-01	Bränsletank.....	Fuel tank .....			
20	1	1		1134-5532-01	Tanklock .....	Fuel tank cap.....			
21	1	1		1134-3224-01	Bensinkran.....	Fuel shut-off valve.....			
22	1	1		1134-3225-01	Gummibussning.....	Grommet.....			
23	1	1		1134-2975-07	Bensinslang .....	Fuel hose.....	L = 350 mm		
24	1	1		9578-0023-02	Slangklämma.....	Hose clamp .....			
25	1	1		1134-6627-01	Tankkonsol .....	Fuel tank bracket.....			
26	2	2		9959-0820-16	Skruv.....	Screw.....			
27	2	2		9739-0831-22	Mutter.....	Nut.....			
28	2	2		1134-5346-01	Tankbygel .....	Fuel tank loop.....			
29	2	2		9747-0631-02	Låsmutter .....	Lock nut.....			
30	1	1		9579-0003-00	Buntband .....	Cable holder.....			
40	1	1		9578-0023-02	Slangklämma.....	Hose clamp .....			
41	1	1		1134-5827-01	Oljeavtappning kpl.....	Oil drain assy.....	Inkl. pos 42 - 45		
42	1	1		1134-5825-01	• Nippel .....	• Nipple.....			
43	1	1		9578-0023-04	• Slangklämma.....	• Hose clamp .....			
44	1	1		1134-3499-02	• Slangklämma.....	• Hose clamp .....			
45	1	1		1134-5826-01	• Plugg .....	• Plug.....			



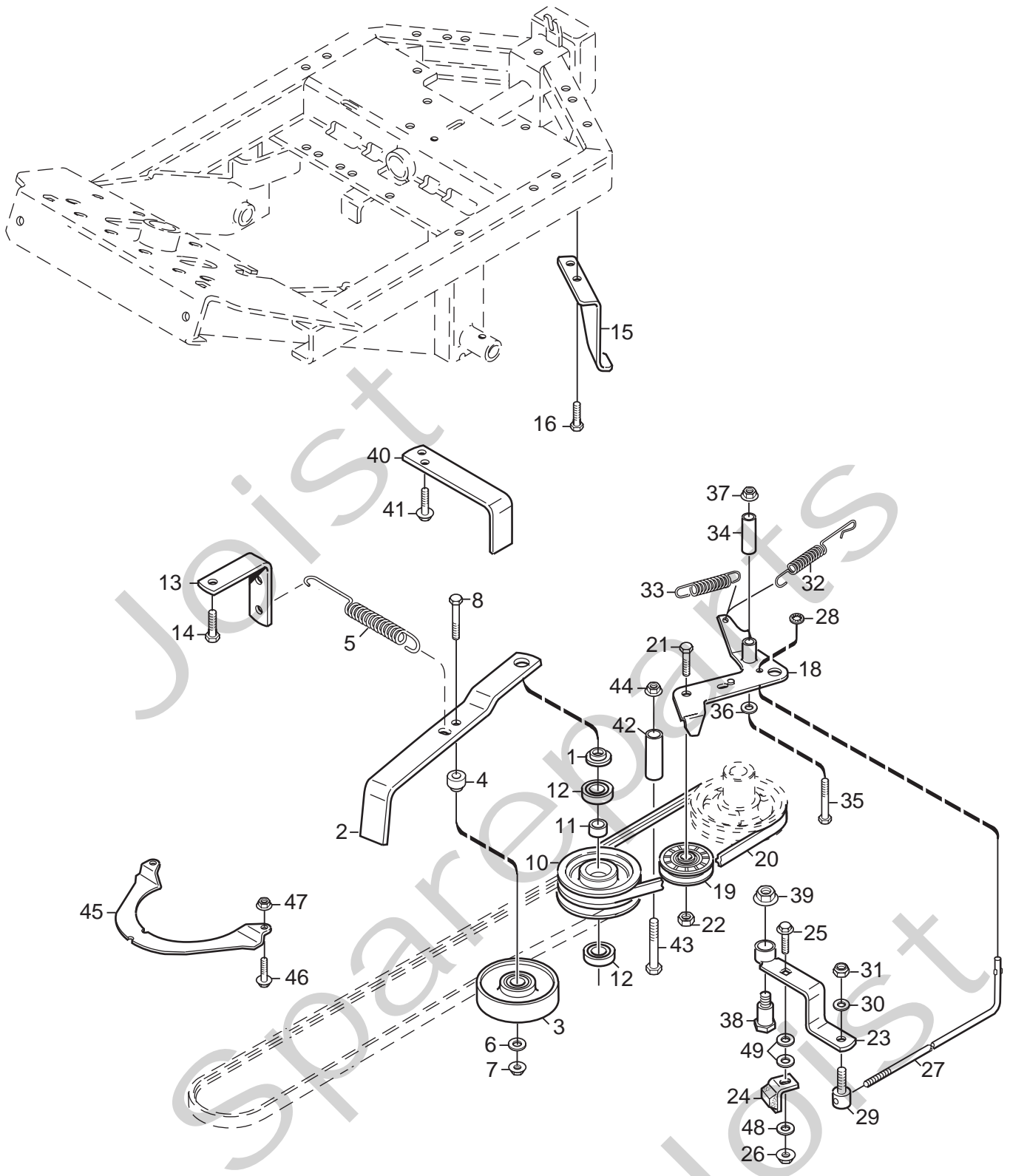


Utgåva Issue		Bildnr Picture No		PARK COMPACT 2WD TRANSMISSION		PARK COMPACT 2WD TRANSMISSION		Sida Page	
2010- 11		1668A						24	
Pos. Fig.	Antal/Quantity				Art nr Part No	Benämning	Description	Sats Kit	Anmärkning Notes
	6102	6103	6109	-21					
1	1				1134-4000-02	Spännarm .....	Tension arm .....		
2	1				1134-3459-01	Spännrulle .....	Tension roller .....		
3	1				9924-1035-16	Skruv .....	Screw .....		
4	1				9799-1031-02	Mutter .....	Nut .....		
5	1				1134-9058-01	Drivrem .....	V- belt.....		= 9585-0091-01
6	1				9997-0625-16	Skruv .....	Screw .....		
7	1				9739-0631-22	Mutter .....	Nut .....		
7A	1				9747-0631-02	Låsmutter .....	Lock nut .....		
8	1				1134-3377-02	Reglagestång .....	Control rod .....		
9	1				4231-0013-00	Fjäder .....	Spring .....		
10	1				1134-4171-01	Ledtapp .....	Pivot pin .....		
11	1				1134-4183-01	Tryckfjäder .....	Compression spring .....		
12	2				1134-3456-01	Bussning .....	Bushing .....		
13	1				9747-0631-02	Låsmutter .....	Lock nut .....		
14	1				1134-1565-08	Distans .....	Spacer .....		
15	1				9997-0870-16	Skruv .....	Screw .....		
16	1				9699-0056-02	Planbricka .....	Flat washer .....		
17	1				9747-0831-02	Mutter .....	Lock nut .....		
18	1				1134-6414-01	Fjäder .....	Spring .....		
19	1				9699-0060-02	Planbricka .....	Flat washer .....		
20	1				1134-7767-01	Transaxel kpl.....	Transaxle assy.....		Kanzaki K46CI
X 20	1				1137-0123-01	Transaxel kpl.....	Transaxle assy.....		Kanzaki K46CI
21	4				9960-0860-12	Skruv .....	Screw .....		
22	4				9747-0831-02	Mutter .....	Lock nut .....		
23	1				1134-3913-01	Reaktionsstag .....	Strut .....		
24	1				9959-0825-16	Skruv .....	Screw .....		
25	1				9997-0845-12	Skruv .....	Screw .....		
26	1				9699-0090-02	Planbricka .....	Flat washer .....		
27	2				9747-0831-02	Mutter .....	Lock nut .....		
28	1				9747-0631-02	Låsmutter .....	Lock nut .....		
29	1				1134-2765-02	Oljetank .....	Oil tank .....		
30	1				1134-2777-02	Tanklock .....	Filler cap .....		
31	1				1134-3734-01	Luftningsplugg .....	Vent plug .....		
32	1				1134-2778-01	Fästband .....	Retainer strap .....		
33	2				9852-8013-16	Skruv .....	Screw .....		
34	2				9699-0099-02	Bricka .....	Washer .....		
X 35	2				9578-0029-01	Slangklämma .....	Hose clamp .....		
36	1				1134-2779-07	Slang .....	Tube .....		L = 140 mm
40	1				1134-4015-01	Dragstång .....	Pull rod .....		
41	1				1134-4014-01	Plastknopp .....	Plastic button .....		
42	1				1134-4713-01	Vinkel .....	Bracket .....		
43	1				1134-2790-01	Gummihylsa .....	Rubber grommet .....		
44	1				9959-0820-16	Skruv .....	Screw .....		
45	1				9739-0831-22	Mutter .....	Nut .....		
46	1				9675-0009-02	Starlock .....	Starlock .....		
51	1				1134-3289-02	Remstyrning .....	Belt guide .....		
52	1				9959-0820-16	Skruv .....	Screw .....		
53	1				9699-0056-02	Planbricka .....	Flat washer .....		
54	1				9739-0831-22	Mutter .....	Nut .....		



Utgåva Issue		Bildnr Picture No		PARK COMPACT 2WD HJUL		PARK COMPACT 2WD WHEELS		Sida Page	
2010- 11		1346E						26	
Pos. Fig.	Antal/Quantity			Art nr Part No	Benämning	Description	Sats Kit	Anmärkning Notes	
	6102 6109 -21	6103 -21							
1	2	2		1134-0075-01	Framaxeltapp .....	Front axle .....			
2	2	2		9595-0258-00	Spännstift .....	Locating pin .....			
3	2	2		1134-4844-05	Hjulnav kpl.....	Wheel hub assy.....			
3A	1	1		9501-0500-00	• Smörjnippel .....	• Grease joint.....			
4	1	1		1134-9026-01	• Lagerbussning.....	• Bearing bush kit .....		Sats 4 st/kit of 4	
5		2		1134-4558-01	Fälg.....	Rim .....			
5	2			1134-5255-01	Fälg.....	Rim .....			
6		2		9545-0116-00	Däck .....	Tyre .....		16 x 7.50 - 8	
6	2			9545-0126-01	Däck .....	Tyre .....		16 x 6.00 - 8	
7	2	2		9545-0500-00	Ventil .....	Valve .....			
8	6	6		9731-1031-22	Mutter.....	Nut .....			
10	8	8		1134-0341-01	Bricka .....	Washer.....			
11	2	2		9599-0080-02	• Saxsprint .....	• Cotter pin .....			
12	2	2		1134-4844-02	Hjulnav .....	Wheel hub .....			
13		2		1134-4558-01	Fälg.....	Rim .....			
13	2			1134-5255-01	Fälg.....	Rim .....			
14		2		9545-0116-00	Däck .....	Tyre .....		16 x 7.50 - 8	
14	2			9545-0126-01	Däck .....	Tyre .....		16 x 6.00 - 8	
15	2	2		9545-0500-00	Ventil .....	Valve .....			
16	6	6		9731-1031-22	Mutter.....	Nut .....			
18	2	2		1134-4796-01	Navkapsel .....	Hub cap.....			
19	2	2		9947-0540-19	Skruv .....	Screw .....			
20	2	2		1134-2471-01	Kil .....	Key .....		L = 58 mm	
21	2	2		9699-0042-02	Planbricka.....	Flat washer.....			
22	2	2		9653-0001-04	Spårryttare .....	Lock ring.....			
26	2	2		9699-0042-02	• Planbricka.....	• Flat washer.....			
45	1	1		13-0992-61	Snabbfäste kpl.....	Quick connections.....		Inkl. pos 11,26,46-51	
46	1	1		1134-7465-01	• Fästen kpl, vä+hö.....	• Attachment kit, LH+RH.....		Inkl. pos 50-51	
47	2	2		1137-0077-01	• Låssprint.....	• Locking pin .....			
48	2	2		9548-0026-01	• Glidlager .....	• Bearing .....			
50	2	2		9898-1035-16	•• Skruv .....	•• Screw .....			
51	2	2		9739-1031-22	•• Mutter .....	•• Nut .....			
99				9545-0203-00	Innerslang .....	Inner tube .....		Reservdel/spare part	

X



Utgåva Issue		Bildnr Picture No		PARK COMPACT 2WD KRAFTUTTAG		PARK COMPACT 2WD POWER TAKE- OFF		Sida Page	
2010- 11		1030G						28	
Pos. Fig.	Antal/Quantity				Art nr Part No	Benämning	Description	Sats Kit	Anmärkning Notes
	6102	6103	6109	-21					
1	1				1134-5548-01	Distans .....	Spacer .....		
2	1				1134-5109-01	Spännhjularm .....	Tension wheel arm .....		
3	1				1134-1770-01	Spännrulle .....	Tension roller .....		
4	1				1134-1888-04	Distans .....	Spacer .....		
5	1				1134-5111-01	Fjäder .....	Spring .....		
6	1				9699-0056-02	Planbricka .....	Flat washer .....		
7	1				9739-0831-22	Mutter .....	Nut .....		
8	1				9997-0855-12	Skruv .....	Screw .....		
10	1				1134-1769-03	Centrumremskiva kpl .....	Centre pulley assy .....		
11	1				1134-0051-09	• Distans .....	• Spacer .....		
12	2				9549-0019-00	• Kullager .....	• Ball bearing .....		
13	1				1134-5112-01	Fjäderfäste .....	Spring attachment .....		
14	2				9945-0816-16	Skruv .....	Screw .....		
15	1				1134-5110-01	Hake .....	Hook .....		
16	2				9893-0616-16	Skruv .....	Screw .....		
18	1				1134-2018-02	Spännarm .....	Tension arm .....		
19	1				1134-9027-02	Spännrulle- grå .....	Tension roller- grey .....		
20	1				1134-9071-01	Drivrem .....	V- belt .....		= 9585-0129-01
21	1				9997-1030-16	Skruv .....	Screw .....		
22	1				9799-1031-02	Mutter .....	Nut .....		
23	1				1134-4111-01	Bromsarm .....	Brake arm .....		
24	1				1134-4164-03	Bromsklots .....	Brake pad .....		
25	1				9897-0825-16	Skruv .....	Screw .....		
26	1				9747-0831-02	Mutter .....	Lock nut .....		
27	1				1134-4162-01	Bromsstång .....	Brake rod .....		
28	1				9675-0008-02	Starlock .....	Locking washer .....		
29	1				1134-4170-01	Nippel .....	Nipple .....		
30	1				9699-0025-02	Planbricka .....	Washer .....		
31	1				9747-0631-02	Låsmutter .....	Lock nut .....		
32	1				4231-0013-00	Fjäder .....	Spring .....		
33	1				1134-4231-01	Dragfjäder .....	Spring .....		
34	1				1134-1565-10	Distans .....	Spacer .....		
35	1				9997-0860-16	Skruv .....	Screw .....		
36	1				9699-0056-02	Planbricka .....	Flat washer .....		
37	1				9739-0831-22	Mutter .....	Nut .....		
38	1				1134-4163-01	Ansatsskruv .....	Shoulder bolt .....		
39	1				9731-1031-22	Mutter .....	Nut .....		
40	1				1134-3958-01	Remstyrning .....	Belt guide .....		
41	2				9893-0616-16	Skruv .....	Screw .....		
42	1				1134-0041-03	Hylsa .....	Collar .....		
43	1				9997-1070-12	Skruv .....	Screw .....		
44	1				9739-1031-22	Mutter .....	Nut .....		
45	1				1134-3654-01	Fingerskydd .....	Finger guard .....		
46	2				9959-0612-16	Skruv .....	Screw .....		
47	2				9739-0631-22	Mutter .....	Nut .....		
48	1				9699-0090-02	Planbricka .....	Flat washer .....		
49	2				9699-0035-02	Planbricka .....	Flat washer .....		